

# LED FIXTURE

## SSL Series



# LED High Bay-Xclusive High Ceiling SSL-XHC

Compact design combined with a low profile makes this the performer you need for your next high ceiling application.



### Features & Benefits

cUL listed, DLC Premium	NEMA 4X certified
System light efficacy 130 LPW	CRI≥80, L70@ 50,000 Hrs
Strong Cast Aluminium body	Voltage 120-277V and 347V
Tilted heat sink back design for easy wash-off	90° Beam spread, PC Lens
Superior thermal conductivity	1-10V dimming
White finish	IP65 rated, wet location
10 ft power cord	

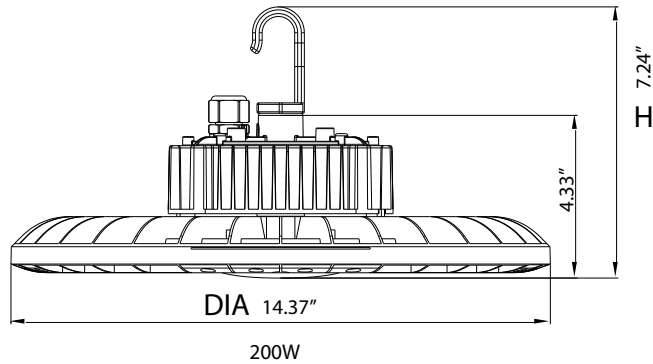
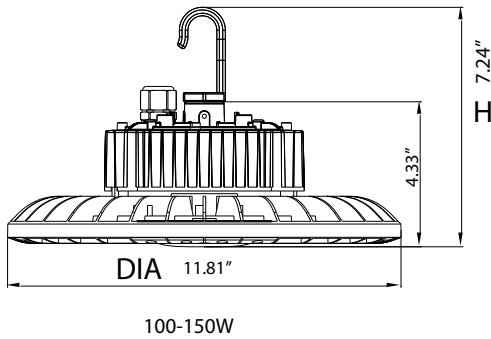
### Warranty

5-year limited warranty in commercial use from the date of purchase  
Operating temperature range between -20°C and +50°C

### Applications

Warehouse/Manufacturing Facilities, Convention Centers/Sporting Arenas  
Big-Box Retail Stores, Cold Storage Facilities, Gymnasiums

### Dimensional drawing



# LED High Bay-Xclusive High Ceiling

## SSL-XHC

### Ordering Information Example: SSL-XHC/100W/40/UNV/HK/D

Family Name	Fixture Type	Wattage	CCT	Voltage (V)	Mounting	Dimmable	Options
SSL (Solid State Lighting)	XHC (Xclusive High Ceiling)	100W 150W 200W	40 (4000K) 50 (5000K)	UNV (120-277V) 347V	HK (Hook Mounting)	D (1-10V dimming)	SSL-XHC/16/AL/HOOD/90D SSL-XHC/16/PC/HOOD/90D SSL-XHC/COLLAR

### Product Specification

Ordering Code	DLC (Premium)	Model Number	Wattage (W)	Input Voltage (V)	Hour Rating	Initial Delivered Lumens (lumen)	CCT (K)	CRI	Optics/Distribution	Dimension DIA×H(inch)	Case QTY.
3667130	Y	SSL-XHC/100W/40/UNV/HK/D	100	120-277	50,000	13500	4000	≥80	Type V	11.81×7.24	1
3667131	Y	SSL-XHC/100W/50/UNV/HK/D	100	120-277	50,000	13500	5000	≥80	Type V	11.81×7.24	1
3667232	Y	SSL-XHC/100W/40/347V/HK/D	100	347	50,000	13500	4000	≥80	Type V	11.81×7.24	1
3667233	Y	SSL-XHC/100W/50/347V/HK/D	100	347	50,000	13500	5000	≥80	Type V	11.81×7.24	1
3667132	Y	SSL-XHC/150W/40/UNV/HK/D	150	120-277	50,000	20300	4000	≥80	Type V	11.81×7.24	1
3667133	Y	SSL-XHC/150W/50/UNV/HK/D	150	120-277	50,000	20300	5000	≥80	Type V	11.81×7.24	1
3667234	Y	SSL-XHC/150W/40/347V/HK/D	150	347	50,000	20300	4000	≥80	Type V	11.81×7.24	1
3667235	Y	SSL-XHC/150W/50/347V/HK/D	150	347	50,000	20300	5000	≥80	Type V	11.81×7.24	1
3667134	Y	SSL-XHC/200W/40/UNV/HK/D	200	120-277	50,000	27000	4000	≥80	Type V	14.37×7.24	1
3667135	Y	SSL-XHC/200W/50/UNV/HK/D	200	120-277	50,000	27000	5000	≥80	Type V	14.37×7.24	1
3667236	Y	SSL-XHC/200W/40/347V/HK/D	200	347	50,000	27000	4000	≥80	Type V	14.37×7.24	1
3667237	Y	SSL-XHC/200W/50/347V/HK/D	200	347	50,000	27000	5000	≥80	Type V	14.37×7.24	1
3660139		SSL-XHC/16/AL/HOOD/90D	90 Degree 16" Aluminium Hood								
3660140		SSL-XHC/16/PC/HOOD/90D	90 Degree 16" Polycarbonate Hood								
3660141		SSL-XHC/COLLAR	Adapter Ring, Required for 100W & 150W High Bay Hood Install								

Consult factory for additional options, Sensor, EM pack, Blue Tooth.



90 Degree 16" Aluminium Hood  
SSL-XHC/16/AL/HOOD/90D



90 Degree 16" Polycarbonate Hood  
SSL-XHC/16/PC/HOOD/90D