

LED FIXTURE

DL Series

LED Vapor Tight DL-VT

Linear 4' or 8' IP65 rated luminaire, suitable for wet locations.



Features & Benefits

CUL listed, DLC premium*	LED module with LG / Everlight chip
High impact polycarbonate grey housing, IK08	130 lm/W
High impact diffuser polycarbonate IK08, Opal lens	Stainless steel fastening clips
Stainless steel mounting brackets included	IP 65 rated
c/w PG13.5 threaded cable gland	Optional microwave motion sensor
0-10V Dimming / Philips / Meanwell LED Driver	

Warranty

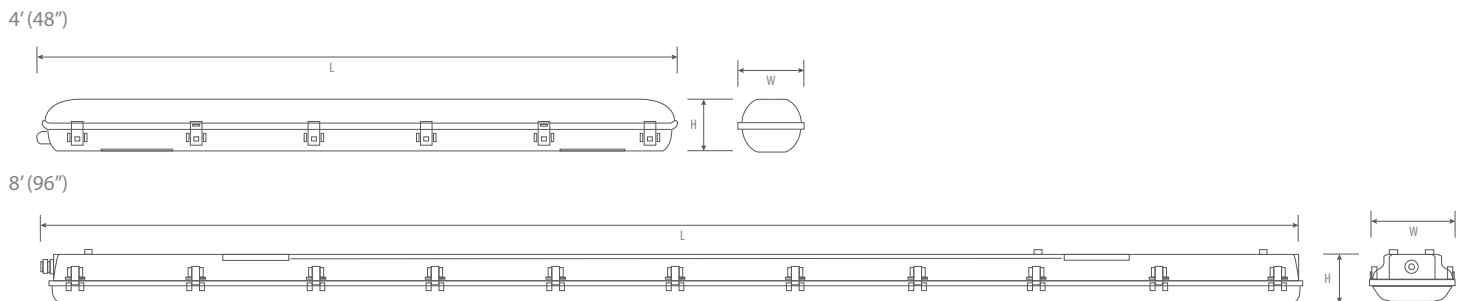
5-year limited warranty in commercial use from the date of purchase
 Operating temperature range between -20°C and +40°C

Applications

Indoor or outdoor, suitable for waterproof, dustproof and moistureproof needs**
 Parking garage, Truck shop, Stairwell, Breeze way, Corridor, Car wash etc.

* DLC under qualifying process Q2, 2018
 ** Special environment use, please contact your sales representative.

Dimensional drawing



	L	W	H
4' (48")	48.0"	4.9"	4.1"
8' (96")	99.0"	6.3"	4.3"



LED Vapor Tight

DL-VT

Ordering Information Example: DL-VT/4F/40W/40/UNV/D

Family Name	Fixture Type	Size	Wattage	CCT	Voltage (V)	Dimmable	Options
DL (Deltalum)	VT (Vapor Tight)	4F(4 feet)	40W 60W	40 (4000K) 50 (5000K)	UNV (120-277V) HVU (347-480V)	D (Dimmable)	S (Microwave Motion Sensor)
		8F(8 feet)	80W 100W 120W				

Product Specification

Ordering Code	DLC	Model Number	Wattage (W)	Input Voltage (V)	Hour Rating	Beam Angle	Initial Delivered Lumens (lumen)	CCT (K)	CRI	M.O.L (inch)	Case QTY.
3665120	Yes	DL-VT/4F/40W/40/UNV/D	40W	120-277V	50,000	120	5,200	4000K	>80	48	4
3665121	Yes	DL-VT/4F/40W/50/UNV/D	40W	120-277V	50,000	120	5,200	5000K	>80	48	4
3665208	Yes	DL-VT/4F/40W/40/347/D	40W	347V	50,000	120	5,200	4000K	>80	48	4
3665209	Yes	DL-VT/4F/40W/50/347/D	40W	347V	50,000	120	5,200	5000K	>80	48	4
3666116	Yes	DL-VT/4F/60W/40/UNV/D	60W	120-277V	50,000	120	7,800	4000K	>80	48	4
3666117	Yes	DL-VT/4F/60W/50/UNV/D	60W	120-277V	50,000	120	7,800	5000K	>80	48	4
3666216	Yes	DL-VT/4F/60W/40/HVU/D	60W	347V-480V	50,000	120	7,800	4000K	>80	48	4
3666217	Yes	DL-VT/4F/60W/50/HVU/D	60W	347V-480V	50,000	120	7,800	5000K	>80	48	4
3666118	Yes	DL-VT/8F/80W/40/UNV/D	80W	120-277V	50,000	120	10,400	4000K	>80	96	1
3666119	Yes	DL-VT/8F/80W/50/UNV/D	80W	120-277V	50,000	120	10,400	5000K	>80	96	1
3666218	Yes	DL-VT/8F/80W/40/HVU/D	80W	347V-480V	50,000	120	10,400	4000K	>80	96	1
3666219	Yes	DL-VT/8F/80W/50/HVU/D	80W	347V-480V	50,000	120	10,400	5000K	>80	96	1
3666120	No	DL-VT/8F/100W/40/UNV/D	100W	120-277V	50,000	120	12,500	4000K	>80	96	1
3666221	No	DL-VT/8F/100W/50/UNV/D	100W	120-277V	50,000	120	12,500	5000K	>80	96	1
3667109	Yes	DL-VT/8F/120W/40/UNV/D	120W	120-277V	50,000	120	15,000	4000K	>80	96	1
3667110	Yes	DL-VT/8F/120W/50/UNV/D	120W	120-277V	50,000	120	15,000	5000K	>80	96	1
3667210	Yes	DL-VT/8F/120W/40/HVU/D	120W	347V-480V	50,000	120	15,000	4000K	>80	96	1
3667211	Yes	DL-VT/8F/120W/50/HVU/D	120W	347V-480V	50,000	120	15,000	5000K	>80	96	1
	Yes	"S"	Microwave Motion Sensor								