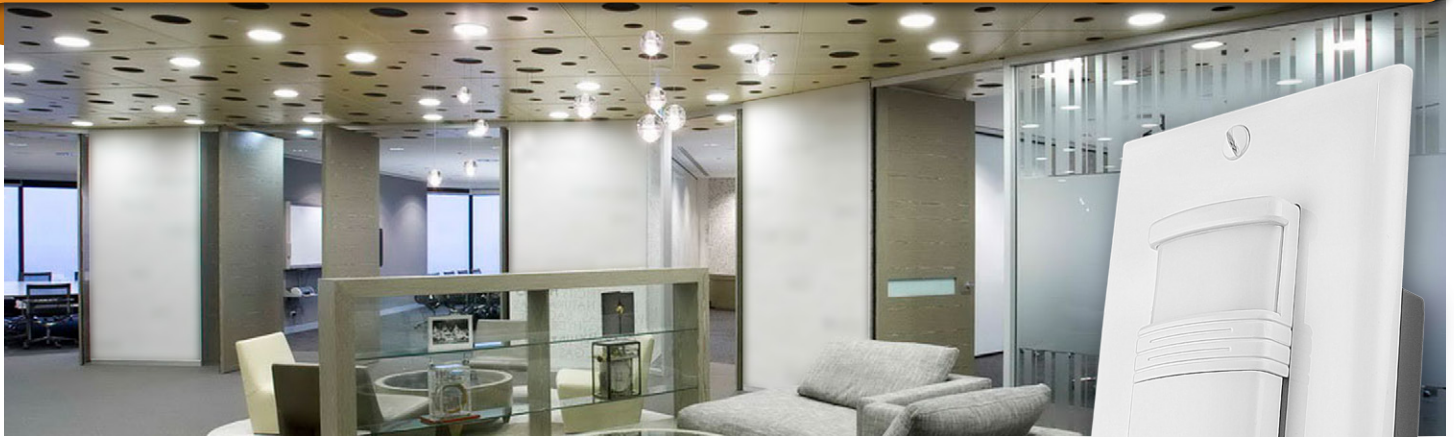


EFFORTLESS LIGHTING CONTROL



**“ A FEW MINUTE RETROFIT FOR A
LIFE TIME OF SAVINGS!**

Turolight’s switch sensors are designed to replace a standard light or fan switch. This device can detect motion from a heat-emitting source (such as a person entering a room) within its field-of-views and automatically turn ON and OFF saving energy and reducing energy bills. Using Vacancy & Occupancy Sensors can reduce energy consumption by 45+%.



Key Features

- **Designed to work with LED/CFL technology**
- **Self-contained relay**
- **Replaces a standard light or fan single-pole switch**
- Preset time delay
- OFF / OCC / VAC three operation modes*

*OCC: Auto ON / Auto OFF VAC: Auto OFF / Manual ON

Application

- Private Offices
- Conference Rooms
- Break Rooms
- Lounges / Hallways
- Stairways
- Rest Rooms
- Storage Rooms
- Classrooms

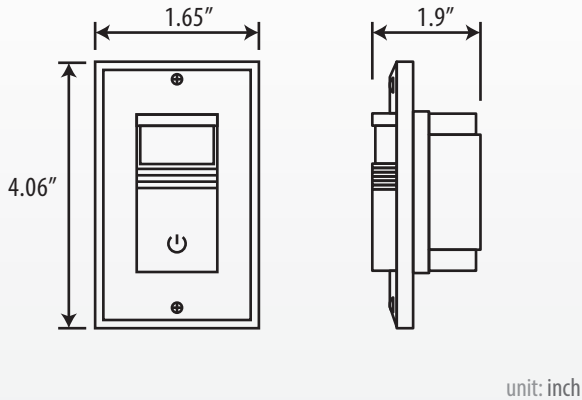
Other information

- Two (2) year limited warranty
- Easy retrofit
- cUL listed

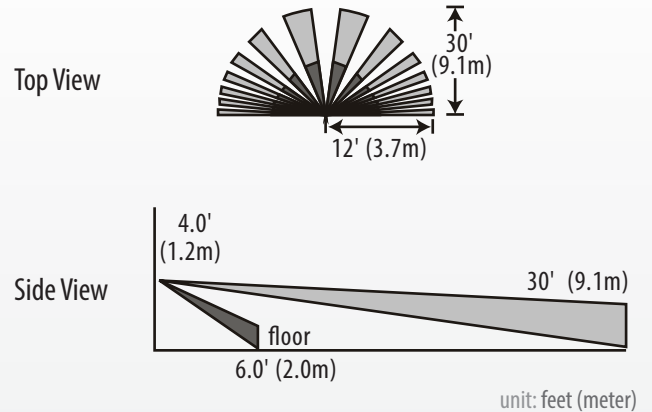
Specifications

	TL-6012	TL-8012
Technology	PIR	PIR
Occupancy/Vacancy	OCC/VAC	OCC/VAC
Coverage (Degrees Sq.Ft)	180° 600	180° 600
Voltage	120/277 VAC	120/277 VAC
Frequency	50-60 Hz	50-60 Hz
Load Size	0-800W/0-1200W	0-800W/0-1200W
Hot Required	Y	Y
Neutral Required	-	Y
Ground Required	Y	Y
LED Indicator	Y	Y
ON/OFF Button	Y	Y
Adjustable Sensitivity	Y	Y
Light Harvesting	Y	Y
Operation Mode	OCC & RESET/VAC	OCC & RESET/VAC
Single Pole/2Pole/3-Way	Single Pole	Single Pole
Operating Temp.	0° to 55° C	0° to 55° C
Size	4.06" H x 1.68" W x 1.90" D	
Weight	5 oz	5 oz
Mounting Height	30" to 48"	30" to 48"

Dimensions



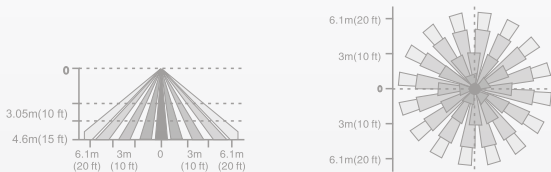
Detection Patterns



You might be interested in:

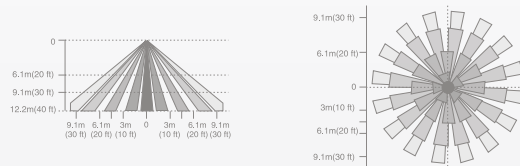
PIR CEILING MOUNT OCCUPANCY SENSORS

Standard Range 360° occupancy sensor which incorporates Passive Infrared (PIR) detection technology into an attractive line powered occupancy sensor that provides amazing sensitivity to small motions and excellent payback.



PIR HIGH BAY FIXTURE MOUNT OCCUPANCY SENSORS

Highly mountable High Bay 360° sensor provides Passive Infrared (PIR) occupancy detection over a 15-20 ft radial coverage pattern that overlaps the areas lit by a typical high bay fixture.



Call now for more information!

Turolight reserves the right to change specifications, modify designs and discontinue items without incurring obligation. Every effort is made to ensure that descriptions, specifications and other information in this data sheet are correct. No warranty is given in respect thereof and the company shall not be liable for any error therein.

© Turolight, Inc.®

This material is copyright. Except as permitted, no part of this work may be reproduced by any process without prior written permission of and acknowledgement to Turolight, Inc.

The identified trademarks and copyrights are the property of Turolight® unless otherwise noted.

You can find this data sheet and many others online in PDF format at:

www.turolight.com

Distributed by: