

Wall Switch Occupancy Sensor

TL-8012



Features

- Wall mounted sensor ideal to replace a standard light or fan switch.
- Sensor detects motion from a heat-emitting source sensor for On / Off operation.
- OFF / OCC / VAC three operation modes*

*OCC: Auto ON / Auto OFF VAC: Auto OFF / Manual ON

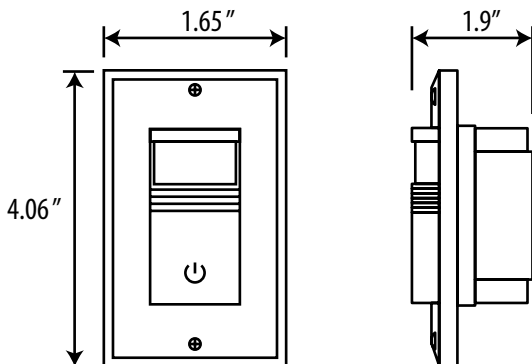
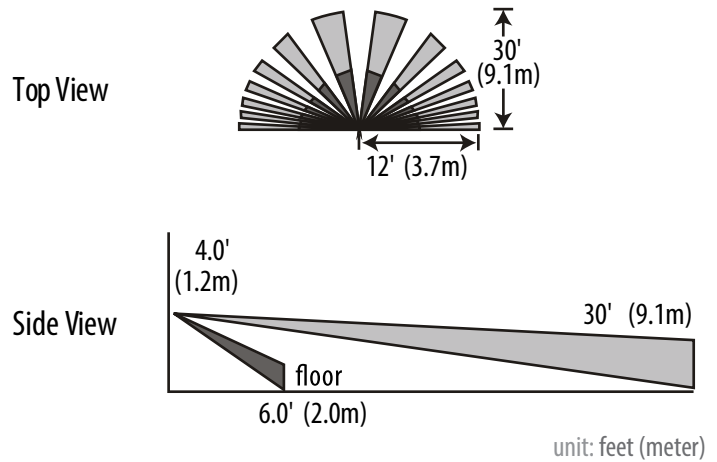


Specifications

Technology	PIR
Occupancy/Vacancy	OCC/VAC
Coverage (Degrees Sq.Ft)	180° 600
Voltage	120/277 VAC
Frequency	50-60 Hz
Load Size	0-800W/0-1200W
Hot Required	Y
Neutral Required	Y
Ground Required	Y
LED Indicator	Y
ON/OFF Button	Y
Adjustable Sensitivity	Y
Light Harvesting	Y
Operation Mode	OCC & RESET/VAC
Single Pole/2Pole/3-Way	Single Pole
Operating Temp.	0° to 55° C
Size	4.06" H x 1.68" W x 1.90" D
Weight	5 oz
Mounting Height	30" to 48"



Detection Patterns



Applications



Warehouse



Manufacturing plant



Gymnasium



Storage Rooms