

Power Secure LR30 LED Lamp



Solais LED PAR30 Lamp Replacement

Product Description: The Solais active LED PAR30 short neck lamp replacement has the high light output, light weight and full dimming capabilities of halogen incandescent sources – resulting in a high-performance product perfect for commercial, museum, retail and hospitality applications.

Performance Summary: Fully dimmable | Halogen PAR form factor (ANSI compliant) | Lightest LED lamps on the market | Certified to UL Standard 1993 | RoHS-compliant | Contain no lead or mercury | Dry location rating

Application: Designed for use in track and recessed fixtures (including IC rated housing)

Voltage: 120v Standard (277v available on some configurations; Check with manufacturer for details.)

CCT: 2700K, 3000K, 3500K*, 4000K*

Dimmable: Yes - Visit solais.com/dimming.php for compatibility list

Life: 50,000 Hours (L70)

Power Factor: .92

Base Type: E26, GU24*

Weight (oz.): 6.8



Product Code	Power (Watts)	Beam Angle	CCT (K)	Lumen Output	CBCP (cd)	CRI	ENERGY STAR®
LR30/10/30K/1200/___*	16	10°	3000	1200	24850	85	
LR30/15/30K/1200/___	16	15°	3000	1200	9800	85	
LR30/25/30K/1200/___	16	25°	3000	1200	6100	85	
LR30/40/30K/1200/___	16	40°	3000	1200	2400	85	
LR30/10/30K/1125/___*	16	10°	3000	1125	23275	85	
LR30/15/30K/1125/___	16	15°	3000	1125	9225	85	
LR30/25/30K/1125/___	16	25°	3000	1125	5725	85	
LR30/40/30K/1125/___	16	40°	3000	1125	2250	85	
LR30/10/27K/1100/___*	16	10°	2700	1100	22750	85	
LR30/15/27K/1100/___	16	15°	2700	1100	9025	85	
LR30/25/27K/1100/___	16	25°	2700	1100	5600	85	
LR30/40/27K/1100/___	16	40°	2700	1100	2200	85	
LR30/10/30K/1000/___*	15	10°	3000	1000	20700	85	
LR30/15/30K/1000/___	15	15°	3000	1000	8200	85	
LR30/25/30K/1000/___	15	25°	3000	1000	5100	85	
LR30/40/30K/1000/___	15	40°	3000	1000	2000	85	
LR30/10/27K/1000/___*	16	10°	2700	1000	20700	85	
LR30/15/27K/1000/___	16	15°	2700	1000	8200	85	
LR30/25/27K/1000/___	16	25°	2700	1000	5100	85	
LR30/40/27K/1000/___	16	40°	2700	1000	2000	85	

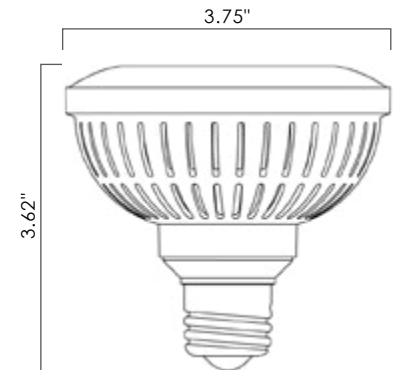
Housing Color: White (WH), Silver (SL), and Black (BK)

*Made to order

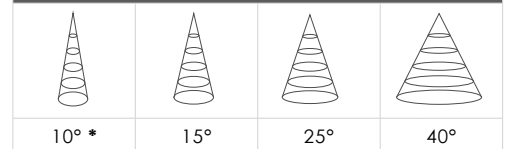
Ordering Example LR30/25/30K/1000/SL

LR30	/	25	/	30K	/	1000	/	SL
Form Factor PAR30		Beam Angle 25		CCT 30K		Lumens 1000		Housing SL - Silver

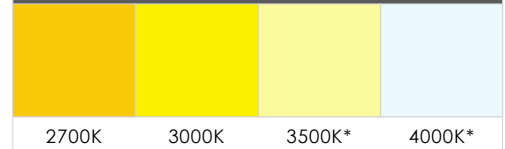
Lamp Images



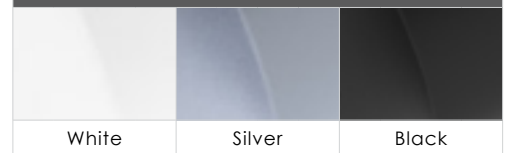
Beam Angles



Color Temperature



Housing Colors



Power Secure LR30 LED Lamp



Luxiance utilizes active cooling to remove heat from the LED system - allowing Solais LED lamps to operate cooler, resulting in superior life, light output, and performance.



Thermal Throttle – In the event that Solais LEDs become overheated, they will dim themselves to protect your technology investments.

10° (Spot) | 1200 lumens

Candela Distribution	Degree	Candela		0° Aiming Angle Horizontal Footcandles		
				Distance to Floor	Beam Diameter	Avg. Beam Illuminance on Floors (FC)
	0	24850		6'	1.6'	596
	5	13889		8'	2.1'	335
	15	446		10'	2.6'	215
	25	59		12'	3.1'	149
	35	32		14'	3.7'	109
	45	29				

Multipliers are as follows: 1125 lumens: 0.94 | 1100 lumens: 0.92 | 1000 lumens: 0.83

15° (Spot) | 1200 lumens

Candela Distribution	Degree	Candela		0° Aiming Angle Horizontal Footcandles		
				Distance to Floor	Beam Diameter	Avg. Beam Illuminance on Floors (FC)
	0	9800		6'	1.6'	227
	5	7864		8'	2.1'	128
	15	755		10'	2.6'	82
	25	55		12'	3.1'	57
	35	23		14'	3.7'	42
	45	21				

Multipliers are as follows: 1125 lumens: 0.94 | 1100 lumens: 0.92 | 1000 lumens: 0.84

25° (Narrow Flood) | 1200 lumens

Candela Distribution	Degree	Candela		0° Aiming Angle Horizontal Footcandles		
				Distance to Floor	Beam Diameter	Avg. Beam Illuminance on Floors (FC)
	0	6100		6'	2.3'	131
	5	5300		8'	3.1'	73
	15	1502		10'	3.9'	47
	25	148		12'	4.7'	33
	35	48		14'	5.5'	24
	45	35				

Multipliers are as follows: 1125 lumens: 0.94 | 1100 lumens: 0.92 | 1000 lumens: 0.84

40° (Wide Flood) | 1200 lumens

Candela Distribution	Degree	Candela		0° Aiming Angle Horizontal Footcandles		
				Distance to Floor	Beam Diameter	Avg. Beam Illuminance on Floors (FC)
	0	2400		6'	4.4'	57
	5	2373		8'	5.8'	32
	15	1953		10'	7.3'	21
	25	785		12'	8.7'	14
	35	305		14'	10.2'	11
	45	119				

Multipliers are as follows: 1125 lumens: 0.94 | 1100 lumens: 0.92 | 1000 lumens: 0.83

LIMITED WARRANTY: Turolight warrants that this lamp will operate for a period of five (5) years from the date of purchase when used in accordance with package and lamp directions. If this lamp does not last for three years, return this product to the place of purchase or visit turolight.com for warranty replacement procedures. You must include the original receipt/proof of purchase. Turolight will repair or replace your lamp. This limited warranty may not cover lamps subject to misuse, electrical current fluctuation, accident, neglect, or acts of God. THIS REPLACEMENT IS THE SOLE WARRANTY OBLIGATION OF TUROLIGHT AND IS IN LIEU OF ALL OTHER WARRANTIES, EXPRESS OR IMPLIED, INCLUDING ANY WARRANTY OF MERCHANTABILITY OR FITNESS FOR A PARTICULAR PURPOSE. LIABILITY FOR INCIDENTAL AND CONSEQUENTIAL DAMAGES ARE EXCLUDED. Exclusion of incidental or consequential damages is not allowed by some provinces, so the above limitation or exclusion may not apply to you. Please visit turolight.com and contact us using the form supplied with any questions. **WARNING:** Not for use in fully enclosed luminaires. **Caution:** Risk of electric shock. Use in an indoor, dry location only. This device is not intended for use with emergency exit fixtures or emergency exit lights. May not be compatible with all dimmers, please contact Turolight.com for up-to-date dimmer compatibility information. **NOTES:** This product may cause interference with other devices. If interference occurs, change the location of the products involved.