

Cobra Head 4-Circle



Key Features

- Square welded aluminum ballast housing with powder coated finish for corrosion resistance
- Tempered glass lens
- High purity aluminum reflector with vacuum coated inner surface
- Heat resistant gas tight silicone rubber seal
- Timer dimming function available upon request

Electronic Features

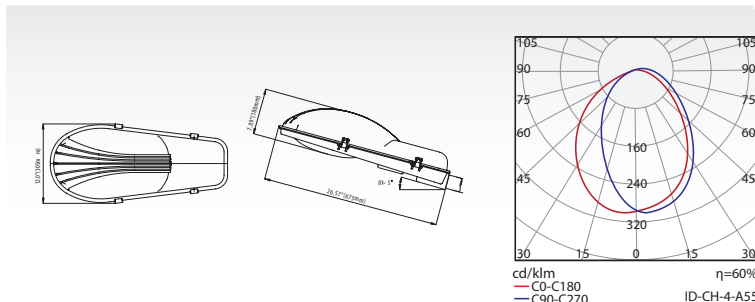
- Round tubular or ball type induction lamp with high lumen efficiency and life span of 100,000hours
- Stable lumen output and high lumen maintenance
- CRI higher than 80 and IP rating 65
- High power factor (>0.95), flickering free operation with low ballast loss and constant output

Applications

- Freeways
- Highways
- Parking lots
- Roadways
- Streets
- Public entrances

Order Code	Model Number	Description	Lamp	Volts (V)	IP	Gear Box L xW xH (mm)	Lens	G.W. (kg)	Initial Lumens	UL cUL	CSA
3885500	ID-CH-4-A35	35W Ind.Cobra,4-Circle,5000K&Blst	A35L	120-277	65	740X350X260	Glass	5.5	2450	Yes	-
3885508	ID-CH-4-A55	55W Ind.Cobra,4-Circle,5000K&Blst	A55L	120-277	65	740X350X260	Glass	5.5	4125	Yes	-
3885504	ID-CH-4-C40	40W Ind.Cobra,4-Circle,5000K&Blst	C40L	120-277	65	740X350X260	Glass	5.5	2800	Yes	-
3886517	ID-CH-4-C70	70W Ind.Cobra,4-Circle,5000K&Blst	C70L	120-277	65	740X350X260	Glass	5.5	4900	Yes	-
3886530	ID-CH-4-C80	80W Ind.Cobra,4-Circle,5000K&Blst	C80L	120-277	65	740X350X260	Glass	5.5	6000	Yes	-

*CCT(K) 5000K, Ambient Temp: -20 ~ +40, Round Pole Ø1.97(50) Installation, Average Life 100,000 hours.



Distributed by: