

Key Features

- Aluminum alloy housing with powder coated finish for corrosion resistance
- Frosted glass lens with beautiful contour for low glare lighting
- Gas tight silicone rubber sealing is suitable for wet locations
- Suitable for lamp pole with height of 3m-4m

Electronic Features

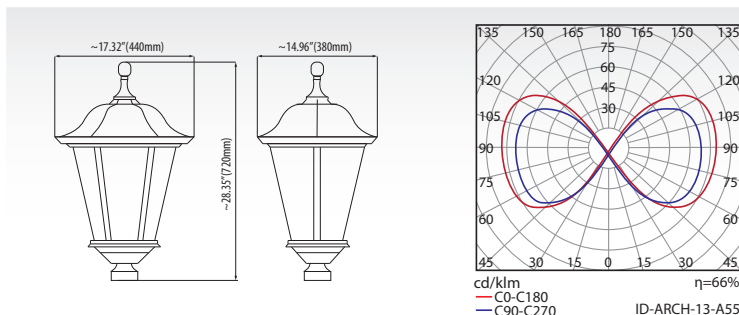
- Globe shaped induction lamp with high lumen efficiency and life span of 100,000hours
- Stable lumen output and high lumen maintenance
- CRI higher than 80 and IP rating 43
- Slim electronic ballast features high power factor (>0.95), flickering free operation with low ballast loss and constant output

Applications

- Plazas
- Foot paths
- Parks
- Streets
- Pedestrians

Order Code	Model Number	Description	Lamp	Volts (V)	IP	Gear Box L xW xH (mm)	Lens	G.W. (kg)	Initial Lumens	UL cUL	CSA
3885501	ID-ARCH-13-A35	35W Ind.ARCH,5000K&Blst	A35L	120-277	43	500X440X800	Glass	8.1	100000	Yes	-
3885509	ID-ARCH-13-A55	55W Ind.ARCH,5000K&Blst	A55L	120-277	43	500X440X800	Glass	8.1	100000	Yes	-
3886541	ID-ARCH-13-A85	85W Ind.ARCH,5000K&Blst	A85L	120-277	43	500X440X800	Glass	8.1	100000	Yes	-

*CCT(K) 5000K, Ambient Temp: -20 ~ +40, Pole Installation, Average Life 100,000 hours.



Distributed by: