

RIGID Downlight With J-Box



Physical Features

- Energy Star listed
- Integral junction box for easy and fast installation without any can housings needed
- 6" for damp location, 8" for wet location
- Dimmable



Application

Residential / Institution Lighting
 School, Colleges, University and
 Hospitals, Supermarkets, Shops,
 Hotels, Conference Rooms, Office Lighting,
 Show Room, Corridor, Kitchen Room etc.

Electronic Features

- 8" 2700lm, 6" 1050lm stable lumen output
- 6" 15W replace 75W Par30 or 120W BR40
- 8" 35W replace 2x32W CFL or 100W CDM
- Long life span of 50,000 hours
- 6" CRI ≥ 92, 8" CRI ≥ 81

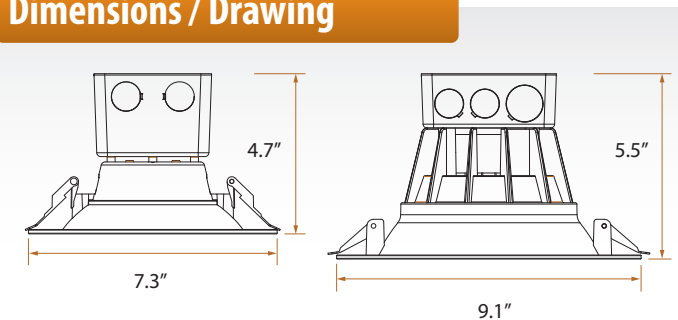
Other information

- cETL ETL listed and ES listed
- 5-year limited warranty

Order Code	Model Number	Description	ES	Watts	Volts	Hour Rating	Beam Angle	Init. Lum.	CCT (K)	CRI	Wet Loc	Damp Loc	M.O.D. (inch)	CS Qty.
3662106	RGD-DLJ/6/15W/30/D	RIGID Downlight with J-Box 6" 15W 30K Dimmable		15	120	50,000	97°	1000	3000	92	Y	-	7.3	12
3662107	RGD-DLJ/6/15W/35/D	RIGID Downlight with J-Box 6" 15W 35K Dimmable		15	120	50,000	97°	1000	3500	92	Y	-	7.3	12
3662108	RGD-DLJ/6/15W/40/D	RIGID Downlight with J-Box 6" 15W 40K Dimmable		15	120	50,000	97°	1050	4000	94	Y	-	7.3	12
3665117	RGD-DLJ/8/35W/30/D	RIGID Downlight with J-Box 8" 35W 30K Dimmable		35	120	50,000	94°	2600	3000	81	-	Y	9.1	6
3665118	RGD-DLJ/8/35W/35/D	RIGID Downlight with J-Box 8" 35W 35K Dimmable		35	120	50,000	94°	2600	3500	81	-	Y	9.1	6
3665119	RGD-DLJ/8/35W/40/D	RIGID Downlight with J-Box 8" 35W 40K Dimmable		35	120	50,000	94°	2700	4000	81	-	Y	9.1	6

For the latest stock status please refer to your price list or send us an email at sales@turolight.com

Dimensions / Drawing



How our Model No. Works:

Ordering Information

Family	Fixture Type	Size	Wattage	CCT(K)	Dimmable
RGD	DLJ	6	15W	30	D
RGD - Rigid	DLJ - Downlight with J-Box	6 inch 8 inch	15W 35W	30K 35K 40K	D - Dimmable