

LED FIXTURE

TL Series

LED Emergency

TL-EM002, TL-EM003

LED Emergency Remote Head



TL-EM003



TL-EM002



Features & Benefits

Injection-molded thermoplastic housing

Easy installation

UL-94V-0 flame rating, fire-retardant

Universal (wall, ceiling) mounting

2W x 2 SMD LED heads (TL-EM002)

2W SMD LED head (TL-EM003)

3.6-24 VDC input voltage

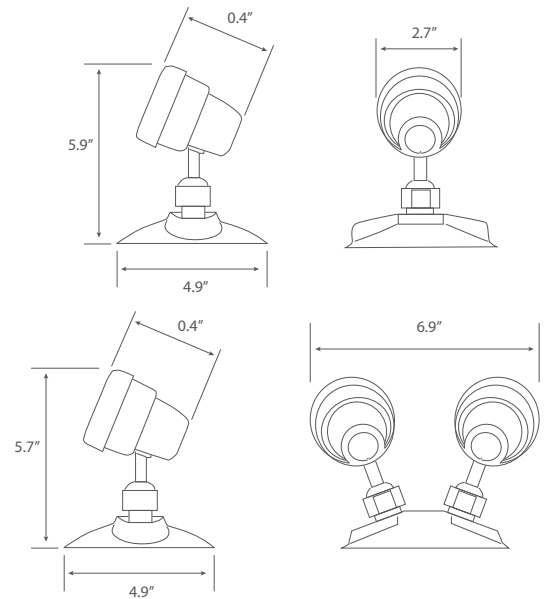
cUL listed / IP20

Warranty

5-year limited warranty in commercial use from the date of purchase

Operating temperature range between -10°C and +40°C

Dimensional Drawing



Ordering Information Example: TL-RMES003

Family Name	Fixture Type	Model
TL (Turolight)	EM (Emergency Light)	002 (LED Emergency 2 Remote Heads) 003 (LED Emergency 1 Remote Head)

Product Specification

Ordering Code	Model Number	Description	Wattage (W)	Input Voltage	Mounting	Remote Capable	Self Powered Battery	Damp Location	Dimensions LxW (inch)	Case QTY.
3461112	TL-EM002	LED Emergency 2 Remote Heads	4W	3.6-24VDC	wall, ceiling	Yes	No	Yes	5.9 x 4.9	6
3461113	TL-EM003	LED Emergency 1 Remote Head	2W	3.6-24VDC	wall, ceiling	Yes	No	Yes	5.7 x 4.9	6