

LED FIXTURE

NXL Series

LED High Bay NXL-HB

LED High Bay Lighting Fixture with vertical 'chimney' thermal design



60W~200W

250W~300W



Features & Benefits

CUL listed, DLC

System light efficacy ≥ 130 Lumens per watt

White powder coated finish die cast aluminum housing prevents corrosion

Long life advanced thermal dynamics and heat dissipation

Frosted PC Lens type

Stem or hook mounting

Optional 0-10V dimming function

CRI ≥ 80 , L70@ 100,000 hrs

Voltage 120-277V / 347V-480V

PF >0.98

IP65 rated, Wet location

10' power cord

Warranty

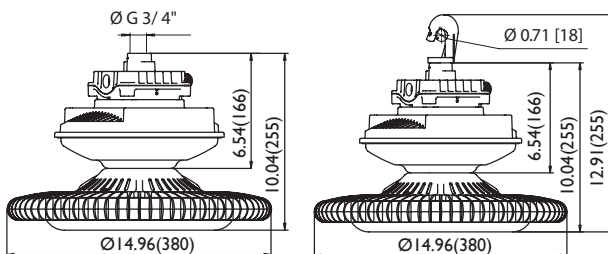
7-year limited warranty in commercial use from the date of purchase

Operating temperature range between -30°C and $+50^{\circ}\text{C}$

Applications

Warehouse/Manufacturing Facilities, Convention Centers/Sporting Arenas
Big-Box Retail Stores, Cold Storage Facilities, Gymsnasiums

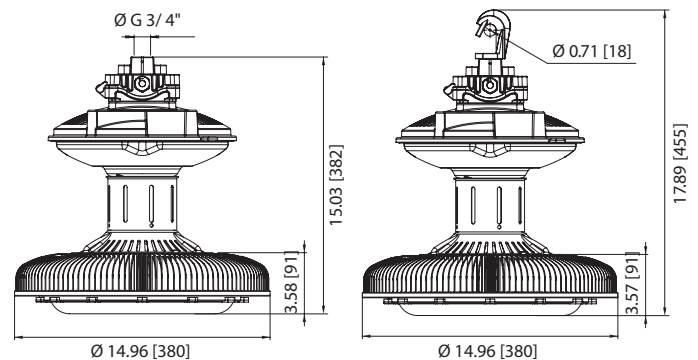
Dimensional drawing



Stem Installation

Hook installation

60W~200W



Stem Installation

Hook installation

250W~300W

LED High Bay

NXL-HB

Ordering Information Example: NXL-HB/60W/5/50/UNV/PCF/HK/D

Family Name	Fixture Type	Wattage	IES Type	CCT (K)	Voltage (V)	Lens	Bracket Type	Dimmable	Option
NXL (New XL)	HB (High Bay)	300W 250W 200W 150W 120W 100W 80W 60W	5 (Type V)	50 (5000K)	UNV (120-277V) HVU (347-480V)	PCF (PC lens, Frosted)	HK (Hook Mounting) PP (Pipe/ Conduit)	D (0~10 Dimming)	S (Sensor) 16" PC Hood 19" PC Hood 22" PC Hood 16" PC Conical Lens 19" PC Conical Lens 22" PC Conical Lens

Product Specification

Ordering Code	DLC	Model Number	Wattage (W)	Input Voltage (V)	IP	Lum/W	Initial Lumens (lm)	Hour Rating L70	Hour Rating L90	CCT (K)	CRI	IES Type	Dimension LxWxH(mm)	Case QTY.
3686110	Y	NXL-HB/60W/5/50/UNV/PCF/HK/D	60	120-277	65	133	7,950	50,000	36,000	5000	80	V	380 x 380 x 255	1
3686111	Y	NXL-HB/80W/5/50/UNV/PCF/HK/D	80	120-277	65	138	11,010	50,000	36,000	5000	80	V	380 x 380 x 255	1
3686112	Y	NXL-HB/100W/5/50/UNV/PCF/HK/D	100	120-277	65	130	13,030	50,000	36,000	5000	80	V	380 x 380 x 255	1
3687104	Y	NXL-HB/120W/5/50/UNV/PCF/HK/D	120	120-277	65	131	15,680	50,000	36,000	5000	80	V	380 x 380 x 255	1
3687105	Y	NXL-HB/150W/5/50/UNV/PCF/HK/D	150	120-277	65	135	20,190	50,000	36,000	5000	80	V	380 x 380 x 255	1
3687106 ¹	Y	NXL-HB/200W/5/50/UNV/PCF/HK/D	200	120-277	65	130	26,020	50,000	36,000	5000	80	V	380 x 380 x 255	1
3688101	Y	NXL-HB/250W/5/50/UNV/PCF/HK/D	250	120-277	65	133	33,130	50,000	36,000	5000	80	V	380 x 380 x 382	1
3688102	Y	NXL-HB/300W/5/50/UNV/PCF/HK/D	300	120-277	65	131	39,420	50,000	36,000	5000	80	V	380 x 380 x 382	1
3686200	Y	NXL-HB/60W/5/50/HVU/PCF/HK/D	60	347-480	65	133	7,950	50,000	36,000	5000	80	V	380 x 380 x 255	1
3686201	Y	NXL-HB/80W/5/50/HVU/PCF/HK/D	80	347-480	65	138	11,010	50,000	36,000	5000	80	V	380 x 380 x 255	1
3686202	Y	NXL-HB/100W/5/50/HVU/PCF/HK/D	100	347-480	65	130	13,030	50,000	36,000	5000	80	V	380 x 380 x 255	1
3687200	Y	NXL-HB/120W/5/50/HVU/PCF/HK/D	120	347-480	65	131	15,680	50,000	36,000	5000	80	V	380 x 380 x 255	1
3687201	Y	NXL-HB/150W/5/50/HVU/PCF/HK/D	150	347-480	65	135	20,190	50,000	36,000	5000	80	V	380 x 380 x 255	1
3687202	Y	NXL-HB/200W/5/50/HVU/PCF/HK/D	200	347-480	65	130	26,020	50,000	36,000	5000	80	V	380 x 380 x 255	1
3688200	Y	NXL-HB/250W/5/50/HVU/PCF/HK/D	250	347-480	65	133	33,130	50,000	36,000	5000	80	V	380 x 380 x 382	1
3688201	Y	NXL-HB/300W/5/50/HVU/PCF/HK/D	300	347-480	65	131	39,420	50,000	36,000	5000	80	V	380 x 380 x 382	1

Hood + Lens Addition

3660026	NXL-HB/16/PC/HOOD	New XL 16" Poly Carbonate Hood, Clear
3660028	NXL-HB/19/PC/HOOD	New XL 19" Poly Carbonate Hood, Clear
3660030	NXL-HB/22/PC/HOOD	New XL 22" Poly Carbonate Hood, Clear
3660025	NXL-HB/16/PC/CL	New XL 16" Poly Carbonate Hood, Conical Lens, Clear
3660027	NXL-HB/19/PC/CL	New XL 19" Poly Carbonate Hood, Conical Lens, Clear
3660029	NXL-HB/22/PC/CL	New XL 22" Poly Carbonate Hood, Conical Lens, Clear



PC Hood



PC Conical Len

¹ NXL-HB/200W approved -30°C ~ +65°C