



LED FIXTURE

SSL Series



LED Wall Pack

SSL-WP1S

Enhanced LED performance in a classic design, offers efficiently deliver lumens, and consume less energy than traditional wall pack technologies.



Features & Benefits

CUL listed, DLC qualified

Available with lumen outputs from 3,600 to 7,900

LM-80 certified high performance and reliable lumileds LEDs

Die-cast aluminum with durable dark bronze finish

Wet location rated

Junction box or wall mounted directly

CRI≥70, L70 @ 50,000 Hrs

Voltage 120-277V/347V-480V

Photocell Sensor optional

Polycarbonate lens with UV stabilizers

Warranty


5-year limited warranty in commercial use from the date of purchase

Operating temperature range between -40°C and +40°C

Applications

Security, pathway and perimeter lighting, Building entryways and walkways

Product Specification

Ordering Code	DLC*	Model Number	Description	Wattage (W)	Input Voltage (V)	Hour Rating	Optics/ Distribution	Initial Delivered Lumens (lm)	CCT (K)	CRI	Dimension L×W×H(inch)	Case QTY.
3664127	Y/P	SSL-WP1S/30W/50/UNV/DB	30W, 50K, 100-277V, Dark Bronze	30	120-277V	50,000	H110°×V100°	3600	5000K	70	14.21 x 7.2 x 9.25	1
3665141	Y/P	SSL-WP1S/40W/50/UNV/DB	40W, 50K, 100-277V, Dark Bronze	40	120-277V	50,000	H110°×V100°	5100	5000K	70	14.21 x 7.2 x 9.25	1
3665229	Y/P	SSL-WP1S/40W/50/HVU/DB	40W, 50K, 347-480V, Dark Bronze	40	347-480V	50,000	H110°×V100°	5100	5000K	70	14.21 x 7.2 x 9.25	1
3666127	Y	SSL-WP1S/65W/50/UNV/DB	65W, 50K, 100-277V, Dark Bronze	65	120-277V	50,000	H110°×V100°	7900	5000K	70	14.21 x 7.2 x 9.25	1
3666232	Y	SSL-WP1S/65W/50/HVU/DB	65W, 50K, 347-480V, Dark Bronze	65	347-480V	50,000	H110°×V100°	7900	5000K	70	14.21 x 7.2 x 9.25	1
3660000		LC-105	Photocell Sensor, for Wall Pack 120V application only				 <p>Photocell</p>					

* DLC Premium (Y/P)

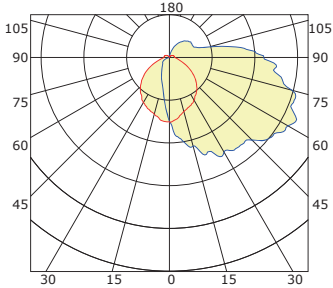
LED Wall Pack

SSL-WP1S

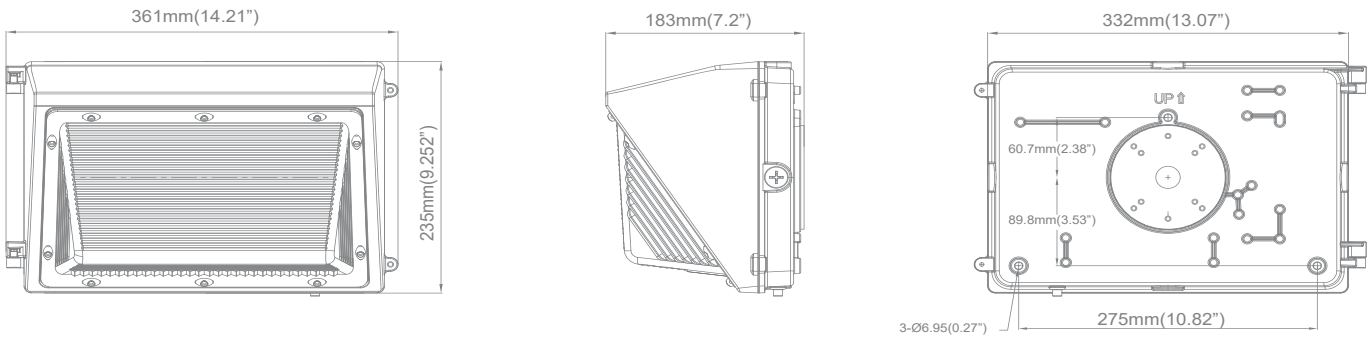
Ordering Information Example: SSL-WP1S/30W/50/UNV/DB

Family Name	Fixture Type	Wattage	CCT	Voltage (V)	Body Finish	Mounting	Options
SSL (Solid State Lighting)	WP1S(Wall Pack)	30W 40W 65W	50 (5000K)	UNV (120-277V) HVU (347-480V)	DB (Dark Bronze)	Wall	Photocell Sensor

Photometrics



Dimensional Drawing



Wiring Instruction (With Photocell)

