



Lamps & Luminaires Catalogue

Tel: 416-736-0447 • Fax: 416-736-4890 • Toll Free: 1-877-736-0447
sales@turolight.com • www.turolight.com

D-01V.2019

LED LAMPS

FILAMENT

| | |
|-------------|---|
| LOW FLICKER | » |
| CURVE | » |

A SHAPE

| | |
|------------------|---|
| VIV-A19 | » |
| PV-A19 | » |
| VIV-A21, VIV-A15 | » |

DECO

| | |
|----------------------------|---|
| B10/B11, G16, G25, G9,MR11 | » |
|----------------------------|---|

MR16

| | |
|--------------|---|
| VASO/HD-MR16 | » |
| VIV-MR16 | » |

PAR

| | |
|--------|---|
| HD-PAR | » |
| PV-PAR | » |

LINEAR

| | | |
|----|-------------------|---|
| T5 | | |
| | VIV-T5DFSP4 | » |
| | VIV-T5DF4 | » |
| T8 | | |
| | VIV-T8 DIRECT FIT | » |
| | VIV-T8 BYPASS | » |
| | VIV-T8 Sign Light | » |

PL

| | |
|-----------|---|
| VIV-PL-DF | » |
| VIV-PLL | » |

LED LUMINAIRES

LINEAR STRIP

| | |
|---------------------------|---|
| VAPOR TIGHT | » |
| ECO-COMMERCIAL STRIP | » |
| CONNECT STRIP | » |
| CONNECT STRIP WITH SENSOR | » |
| LINEAR STRIP WITH SENSOR | » |

OFFICE FIXTURE

| | |
|---------------|---|
| WRAP AROUND | » |
| FLAT PANEL | » |
| CENTRE BASKET | » |
| TRACK HEAD | » |

HIGH BAY

| | |
|--------------------|---|
| NXL-HB | » |
| SSL-UHB | » |
| SSL-LHB | » |
| T5 HIGHBAY FIXTURE | » |

FLOOD

| | |
|----------|---|
| NXL-FL | » |
| NXL-SFL | » |
| SSL-FL1 | » |
| SSL-SFL1 | » |

SHOEBOX

| | |
|---------|---|
| NXL-SB | » |
| SSL-SB1 | » |

WALLPACK

| | |
|----------|---|
| SSL-WP1S | » |
| SSL-WP1 | » |
| SSL-WP3 | » |
| SSL-DW1 | » |

CANOPY

| | |
|---------|---|
| SSL-CP1 | » |
| SSL-CP2 | » |

FLUSH MOUNT

| | |
|----------------|---|
| RGD-FM/ 2 RING | » |
| RGD-FM/ PC | » |

DOWNLIGHT

| | |
|---|---|
| RGD-SLIM PANEL | » |
| RGD-DLJ (WITH J-BOX), RGD-CD (Ceiling Dome Light) | » |
| DOWNLIGHT FIXTURE | » |

EXIT SIGN

| | |
|--------------------|---|
| TL-EM001 | » |
| TL-EM002, TL-EM003 | » |
| TL-RMES003 | » |
| TL-RMES101 | » |
| TL-RMES201 | » |

ACCESSORY

| | |
|----------------------------------|---|
| SSL-STRINGER LIGHT SET | » |
| TL-2052 (HIGH BAY SENSOR) | » |
| TL-1032 (CEILING SENSOR) | » |
| TL-6012, TL-8012 (SWITCH SENSOR) | » |





WHO WE ARE

Turolight has been redefining the very definition of light since its inception. By introducing wave after wave of new, exciting, innovative leading edge, high quality, energy saving lighting products we've captured the hearts and minds of countless organization and individuals alike.

Global warming is a reality; it is our purpose to create sustainable solutions that achieve in higher efficiencies than required by law. Our products feature some of the most impressive traits in the industry. Featuring break-thru products like LED bulbs and fixtures, we've just begun to explore the alternatives to further support in the effort to create a sustainable future.

These initiatives will help reduce greenhouse gases, promote energy conservation, reduce waste both at the manufacturing level and at the consumer level, while protecting our children's future. Turolight goes further than just engineering environmentally

friendly products, we take it to the streets and work hard to promote and support programs that will contribute to the realization of sustainability in this new reality.

We understand the need for safety in all electrical products and lighting products are no exception. Turolight strongly promotes the strictest of safety standards by adhering to CSA and cUL guidelines.

We create and distribute, through our distribution partners, a host of unique lighting products that are quickly becoming the standard in our industry today. If you are a distributor or an agent of electrical products and are interested in becoming a Turolight partner, contact us today at www.turolight.com.

Turolight continues to capture the lighting marketplace, and takes pride in making it affordable, practical and sustainable for all.

MISSION STATEMENT

Turolight is a leading manufacturer of premium, energy efficient and environmentally friendly lighting technologies. Our products allow industries and consumers alike to make positive choices for themselves, their communities, and the planet.





LED LAMP ARTISAN



A19, B10, ST19, T9 **LOW non visible FLICKER**

Features & Benefits

Reduced flicker down to 10%

- Compare to 6.6% traditional incandescent
- Far below California T20 standard 30%
- Significantly improve light quality
- Optimize eye comfort

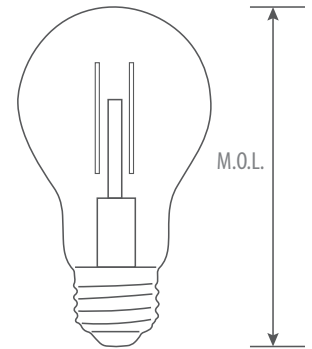
With clear or amber glass cover

Dimmable, High CRI (80+)

15,000 hour average life span

Rated for damp locations

Dimensional drawing



Warranty & Cautions

2-year limited warranty in commercial use from the date of purchase

Operating temperature range between -20°C and +40°C

Product Specification

| Ordering Code | Model Number | Product Description | Watts (W) | Replacement Filament | Replacement Incandescent | Base | Voltage (V) | Hour Rating | Beam Angle | Initial Lumens (lm) | CCT(K) | CRI | Damp LOC. | M.O.L. (inch) | Case QTY. |
|---------------|------------------------|---|-----------|----------------------|--------------------------|------|-------------|-------------|------------|---------------------|--------|-----|-----------|---------------|-----------|
| 1772110 | AR-A19LF/8W/27/D/C | A19 Low Flicker 8W 27K Dimmable Clear | 8 | - | 60W | E26 | 120 | 15,000 | 330° | 800 | 2700 | 80 | Y | 4.29 | 40 |
| 1772202 | AR-A19LF/8W/30/D/C | A19 Low Flicker 8W 30K Dimmable Clear | 8 | - | 60W | E26 | 120 | 15,000 | 330° | 800 | 2700 | 80 | Y | 4.29 | 40 |
| 1771203 | AR-B10LF/4W/30/E12/D/C | B10 Low Flicker 4W 30K E12 Dimmable Clear | 4 | - | 40W | E12 | 120 | 15,000 | 330° | 350 | 3000 | 80 | Y | 3.78 | 50 |
| 1771925 | AR-B10LF/4W/22/E12/D/A | B10 Low Flicker 4W 22K E12 Dimmable Amber | 4 | 40W | - | E12 | 120 | 15,000 | 330° | 280 | 2200 | 80 | Y | 3.78 | 50 |
| 1772203 | AR-ST19LF/5W/30/D/C | ST19 Low Flicker 5W 30K Dimmable Clear | 5 | - | 60W | E26 | 120 | 15,000 | 330° | 500 | 3000 | 80 | Y | 5.39 | 20 |
| 1772111 | AR-ST19LF/5W/27/D/C | ST19 Low Flicker 5W 27K Dimmable Clear | 5 | - | 60W | E26 | 120 | 15,000 | 330° | 500 | 2700 | 80 | Y | 5.39 | 20 |
| 1772908 | AR-ST19LF/5W/22/D/A | ST19 Low Flicker 5W 22K Dimmable Amber | 5 | 60W | - | E26 | 120 | 15,000 | 330° | 400 | 2200 | 80 | Y | 5.39 | 20 |
| 1771140 | AR-T9LF/4W/27/D/C | T9 Low Flicker 4W 27K Dimmable Clear | 4 | - | 40W | E26 | 120 | 15,000 | 330° | 350 | 2700 | 80 | Y | 5.71 | 50 |

Ordering Information Example: AR-A19LF/8W/27/D/C

| LED CLASS | LAMP TYPE | WATTAGE | CCT(K) | DIMMABLE | COVER |
|--------------|--|----------------|--|--------------|------------------------|
| AR (Artisan) | A19LF (A19 Low Flicker) B10LF (B10 Low Flicker) ST19LF (ST19 Low Flicker) T9LF (T9 Low Flicker) | 8W 5W 4W | 30 (3000K) 27 (2700K) 22 (2200K) | D (dimmable) | C (Clear) A (Amber) |



LED LAMP

ARTISAN-AESTHETIC



Dimmable



A19, B11, ST19, G25

Features & Benefits

- Each filament design expresses a unique decor experience
- Enhance aesthetics with bulb only
- 125lm/ 250lm replaces 13W/25W traditional filament bulb
- Warm and vintage color temperature (2000K)
- UL/cUL listed, FCC compliant, RoHS compliant

- Dimmable, High CRI (80+)
- 15,000 hour average life span
- Reduces energy consumption up to 70%
- Rated for damp locations and semi-enclosed fixtures

Applications

Perfect for decorative installations. Hospitality, Restaurants, Residential, Retail etc.

Product Specification

| Ordering Code | Model Number | Product Description | Watts (W) | Replacement Filament | Base | Voltage (V) | Hour Rating | Beam Angle | Initial Lumens (lm) | CCT(K) | CRI | EFA* | Damp LOC. | M.O.L. (inch) | Case QTY. |
|---------------|--------------------------|--|-----------|----------------------|------|-------------|-------------|------------|---------------------|--------|-----|---------------|-----------|---------------|-----------|
| 1771923 | AR-A19/S/4.5W/20/D/A | A19 Spiral 4.5W 20K Dimmable Amber | 4.5 | 13W | E26 | 120 | 15,000 | 360 | 125 | 2000 | 80 | semi-enclosed | Y | 4.17 | 10/100 |
| 1771924 | AR-B11/S/4.5W/20/E12/D/A | B11 Spiral 4.5W 20K E12 Dimmable Amber | 4.5 | 13W | E12 | 120 | 15,000 | 360 | 125 | 2000 | 80 | semi-enclosed | Y | 3.82 | 10/100 |
| 1772905 | AR-ST19/M/6.5W/20/D/A | ST19 M- Shape 6.5W Dimmable Amber | 6.5 | 25W | E26 | 120 | 15,000 | 360 | 250 | 2000 | 80 | semi-enclosed | Y | 5.39 | 10/80 |
| 1772906 | AR-G25/DS/6.5W/20/D/A | G25 Double Spiral 6.5W Dimmable Amber | 6.5 | 25W | E26 | 120 | 15,000 | 360 | 250 | 2000 | 80 | semi-enclosed | Y | 4.69 | 10/80 |

* Enclosed Fixture Application

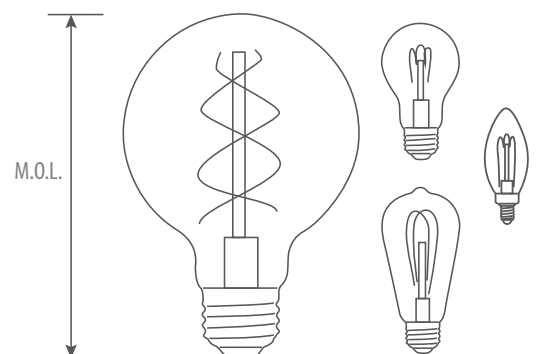
Warranty & Cautions

- 3-year (non ES) limited warranty in commercial use from the date of purchase
- Operating temperature range between -20°C and +40°C

Ordering Information

| LED CLASS | LAMP TYPE | LED Chip Shape | WATTAGE | CCT(K) | BASE | DIMMABLE | Glass Color |
|--------------|-----------|--------------------|---------|------------|-------------|--------------|-------------|
| AR (Artisan) | A19 | S (Spiral) | 4.5W | 20 (2000K) | E12(E12) | D (dimmable) | A (Amber) |
| | B11 | S (Spiral) | 4.5W | | Blank (E26) | | |
| | ST19 | M (M Shape) | 6.5W | | | | |
| | G25 | DS (Double Spiral) | 6.5W | | | | |

Dimensional drawing





LED LAMP ARTISAN



AR-A19, AR-B10/BA10 AR-Globe, AR-ST19, AR-T10

Features & Benefits

2200K with amber glass cover

2700K, 4000K with clear or frost glass cover

Energy Star*, dimmable*, High CRI (80+)

15,000 hour average life, Damp location rated

* For applicable models, see product specification below

Warranty & Cautions

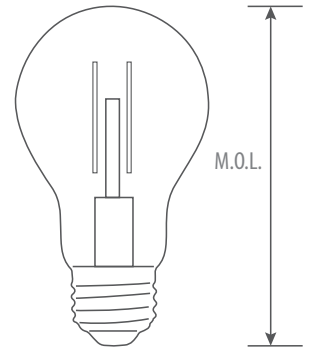
2-year limited warranty from the date of purchase

Operating temperature between -20°C and +40°C

Ordering Information Example: AR-G16.5/4W/27/E12/D/C

| LED CLASS | LAMP TYPE | WATTAGE | CCT(K) | BASE | DIMMABLE | COVER |
|--------------|-------------|---------|------------|-------------|----------------------|------------------------|
| AR (Artisan) | A19 | 4W | 22 (2200K) | Blank (E26) | D (dimmable) | C (Clear) |
| | B10/BA10 | 5W | 27 (2700K) | | | |
| | G25, G16.5 | 6W | 40 (4000K) | E12 | Blank (non dimmable) | A (Amber) F (Frost) |
| | ST19 T10 | 8W | | | | |

Dimensional drawing



Product Specification

| Ordering Code | ES | Model Number | Watts | Replacement Filament | Replacement Incandescent | Base | Voltage (V) | Hour Rating | Beam Angle° | Initial Lumens(lm) | CCT(K) | CRI | Damp Location | M.O.L. (inch) | Case QTY. |
|---------------|-----|------------------------|-------|----------------------|--------------------------|------|-------------|-------------|-------------|--------------------|--------|-----|---------------|---------------|-----------|
| AR-A19 | | | | | | | | | | | | | | | |
| 1772102 | Yes | AR-A19/8W/27/D/C | 8 | - | 60W | E26 | 120 | 15,000 | 330 | 800 | 2700 | 80 | Y | 4.29 | 40 |
| 1772900 | No | AR-A19/8W/22/D/A | 8 | 75W | - | E26 | 120 | 15,000 | 330 | 640 | 2200 | 80 | Y | 4.29 | 40 |
| 1771127 | Yes | AR-A19/4W/27/D/C | 4 | - | 40W | E26 | 120 | 15,000 | 330 | 420 | 2700 | 80 | Y | 4.29 | 40 |
| AR-B10/BA10 | | | | | | | | | | | | | | | |
| 1771136 | Yes | AR-B10/4W/27/E12/D/C | 4 | - | 40W | E12 | 120 | 15,000 | 330 | 350 | 2700 | 80 | Y | 3.78 | 50 |
| 1771135 | Yes | AR-B10/5W/27/E12/D/C | 5 | - | 40W | E12 | 120 | 15,000 | 330 | 500 | 2700 | 80 | Y | 3.78 | 50 |
| 1771400 | No | AR-B10/5W/40/E12/D/C | 5 | - | 40W | E12 | 120 | 15,000 | 330 | 500 | 4000 | 80 | Y | 3.78 | 50 |
| 1771137 | Yes | AR-BA10/4W/27/E12/D/C | 4 | - | 40W | E12 | 120 | 15,000 | 330 | 350 | 2700 | 80 | Y | 4.09 | 50 |
| AR-Globe | | | | | | | | | | | | | | | |
| 1772108 | Yes | AR-G25/6W/27/D/C | 6 | - | 60W | E26 | 120 | 15,000 | 330 | 600 | 2700 | 80 | Y | 4.61 | 20 |
| 1772109 | Yes | AR-G25/6W/27/D/F | 6 | - | 50W | E26 | 120 | 15,000 | 330 | 540 | 2700 | 80 | Y | 4.61 | 20 |
| 1771129 | NO | AR-G16.5/4W/27/E12/D/C | 4 | - | 40W | E12 | 120 | 15,000 | 330 | 350 | 2700 | 80 | Y | 3.31 | 50 |
| 1771138 | Yes | AR-G16.5/5W/27/E12/D/C | 5 | - | 40W | E12 | 120 | 15,000 | 330 | 350 | 2700 | 80 | Y | 3.19 | 50 |
| AR-ST19 | | | | | | | | | | | | | | | |
| 1772400 | NO | AR-ST19/6W/40/D/C | 6 | - | 60W | E26 | 120 | 15,000 | 330 | 600 | 4000 | 80 | Y | 5.39 | 20 |
| AR-T10 | | | | | | | | | | | | | | | |
| 1771907 | NO | AR-T10/5W/22/D/A | 5 | 60W | - | E26 | 120 | 15,000 | 320 | 400 | 2200 | 80 | Y | 4.96 | 72 |



LED LAMP

VIVID Series

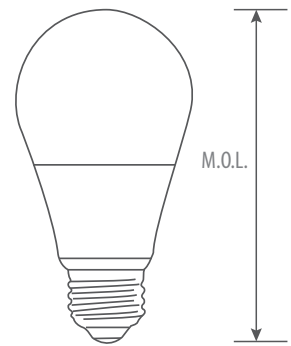
VIV-A19/X18



Features & Benefits

| | |
|--------------------------------|------------------------------|
| Energy Star listed | High CRI (80+), dimmable |
| 15W replaces 100W incandescent | 25,000 hour average life |
| 11W replaces 75W incandescent | Enclosed fixture application |
| 9W replaces 60W incandescent | Damp location approved |
| 6W replaces 40W incandescent | |

Dimensional drawing



Warranty & Cautions

| |
|---|
| 3-year limited warranty |
| Operating temperature range between -40°C and +45°C |
| UL/cUL listed, FCC compliant, RoHS compliant |

Product Specification

| Ordering Code | ES | Model Number | Watts | Replacement Incandescent | Base | Voltage (V) | Hour Rating | Beam Angle | Initial Lumens(lm) | CCT(K) | CRI | Enclosed Fixture Application | Damp LOC. | M.O.L. (inch) | Case QTY. |
|---------------|----|----------------------|-------|--------------------------|------|-------------|-------------|------------|--------------------|--------|-----|------------------------------|-----------|---------------|-----------|
| 1762021 | Y | VIV-A19/X18/15W/27/D | 15 | 100W | E26 | 120 | 25,000 | 220° | 1600 | 2700 | 80 | Y | Y | 4.9 | 40 |
| 1762797 | Y | VIV-A19/X18/15W/30/D | 15 | 100W | E26 | 120 | 25,000 | 220° | 1600 | 3000 | 80 | Y | Y | 4.9 | 40 |
| 1762879 | Y | VIV-A19/X18/15W/40/D | 15 | 100W | E26 | 120 | 25,000 | 220° | 1600 | 4000 | 80 | Y | Y | 4.9 | 40 |
| 1762549 | Y | VIV-A19/X18/15W/50/D | 15 | 100W | E26 | 120 | 25,000 | 220° | 1600 | 5000 | 80 | Y | Y | 4.9 | 40 |
| 1762798 | Y | VIV-A19/X18/11W/30/D | 11 | 75W | E26 | 120 | 25,000 | 220° | 1100 | 3000 | 80 | Y | Y | 4.4 | 40 |
| 1762880 | Y | VIV-A19/X18/11W/40/D | 11 | 75W | E26 | 120 | 25,000 | 220° | 1100 | 4000 | 80 | Y | Y | 4.4 | 40 |
| 1762019 | Y | VIV-A19/X18/9W/27/D | 9 | 60W | E26 | 120 | 25,000 | 220° | 800 | 2700 | 80 | Y | Y | 4.4 | 40 |
| 1762799 | Y | VIV-A19/X18/9W/30/D | 9 | 60W | E26 | 120 | 25,000 | 220° | 800 | 3000 | 80 | Y | Y | 4.4 | 40 |
| 1762881 | Y | VIV-A19/X18/9W/40/D | 9 | 60W | E26 | 120 | 25,000 | 220° | 800 | 4000 | 80 | Y | Y | 4.4 | 40 |
| 1762550 | N | VIV-A19/X18/9W/50/D | 9 | 60W | E26 | 120 | 25,000 | 220° | 800 | 5000 | 80 | Y | Y | 4.4 | 40 |
| 1762020 | Y | VIV-A19/X18/6W/27/D | 6 | 40W | E26 | 120 | 25,000 | 220° | 450 | 2700 | 80 | Y | Y | 4.2 | 40 |
| 1762700 | Y | VIV-A19/X18/6W/30/D | 6 | 40W | E26 | 120 | 25,000 | 220° | 450 | 3000 | 80 | Y | Y | 4.2 | 40 |
| 1762882 | Y | VIV-A19/X18/6W/40/D | 6 | 40W | E26 | 120 | 25,000 | 220° | 450 | 4000 | 80 | Y | Y | 4.2 | 40 |

Ordering Information Example: VIV-A19/X18/15W/27/D

| LED CLASS | LAMP TYPE | SERIES | WATTAGE | CCT(K) | DIMMABLE |
|-------------|-----------|--------|---------|--|--------------------------------------|
| VIV (Vivid) | A19 | X18 | 15W | 50 (5000K) 40 (4000K) 30 (3000K) 27 (2700K) | D (dimmable) Blank (non dimmable) |



LED LAMP

PURE VISION

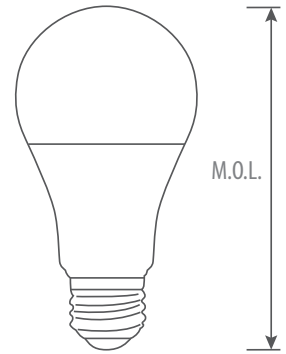
PV-A19, PV-A19/X2, PV-A19/I8



Features & Benefits

| | |
|--------------------------|-------------------------------|
| Energy Star listed* | Enclosed fixture application* |
| 15,000 hour average life | Damp location approved |
| High CRI (80+) | Non dimmable |

Dimensional drawing



Warranty & Cautions

| |
|---|
| 3-year limited warranty from the date of purchase, 2-year for PV-A19/I8 |
| Operating temperature range between -40°C and +45°C |
| UL/cUL listed, FCC compliant, RoHS compliant |

* For applicable models, see product specification below

Product Specification

| Ordering Code | ES | Model Number | Watts | Replacement Incandescent | Base | Voltage (V) | Hour Rating | Beam Angle | Initial Lumens(lm) | CCT(K) | CRI | Enclosed Fixture Application | Damp LOC. | M.O.L. (inch) | Case QTY. |
|---------------|----|--------------------|-------|--------------------------|------|-------------|-------------|------------|--------------------|--------|-----|------------------------------|-----------|---------------|-----------|
| 1732111 | Y | PV-A19/X2/12W/27 | 12 | 75W | E26 | 120 | 15,000 | 220° | 1100 | 2700 | 80 | Y | Y | 4.3 | 40 |
| 1732212 | Y | PV-A19/X2/12W/30 | 12 | 75W | E26 | 120 | 15,000 | 220° | 1100 | 3000 | 80 | Y | Y | 4.3 | 40 |
| 1732412 | Y | PV-A19/X2/12W/40 | 12 | 75W | E26 | 120 | 15,000 | 220° | 1100 | 4000 | 80 | Y | Y | 4.3 | 40 |
| 1732512 | Y | PV-A19/X2/12W/50 | 12 | 75W | E26 | 120 | 15,000 | 220° | 1100 | 5000 | 80 | Y | Y | 4.3 | 40 |
| 1732110 | Y | PV-A19/10W/27 | 10 | 60W | E26 | 120 | 15,000 | 220° | 800 | 2700 | 80 | Y | Y | 4.3 | 40 |
| 1732210 | Y | PV-A19/10W/30 | 10 | 60W | E26 | 120 | 15,000 | 220° | 800 | 3000 | 80 | Y | Y | 4.3 | 40 |
| 1732305 | Y | PV-A19/10W/35 | 10 | 60W | E26 | 120 | 15,000 | 220° | 800 | 3500 | 80 | Y | Y | 4.3 | 40 |
| 1732410 | Y | PV-A19/10W/40 | 10 | 60W | E26 | 120 | 15,000 | 220° | 800 | 4000 | 80 | Y | Y | 4.3 | 40 |
| 1732507 | Y | PV-A19/10W/50 | 10 | 60W | E26 | 120 | 15,000 | 220° | 800 | 5000 | 80 | Y | Y | 4.3 | 40 |
| 1732213 | Y | PV-A19/6W/30 | 6 | 40W | E26 | 120 | 15,000 | 220° | 450 | 5000 | 80 | Y | Y | 4.3 | 40 |
| 1732215 | N | PV-A19/I8/9W/30/SE | 9 | 60W | E26 | 120 | 15,000 | 220° | 800 | 3000 | 80 | - | Y | 4.3 | 40 |
| 1732214 | N | PV-A19/I8/9W/30 | 9 | 60W | E26 | 120 | 15,000 | 220° | 800 | 3000 | 80 | - | Y | 4.3 | 40 |
| 1732414 | N | PV-A19/I8/9W/40 | 9 | 60W | E26 | 120 | 15,000 | 220° | 800 | 4000 | 80 | - | Y | 4.3 | 40 |
| 1732514 | N | PV-A19/I8/9W/50 | 9 | 60W | E26 | 120 | 15,000 | 220° | 800 | 5000 | 80 | - | Y | 4.3 | 40 |

Ordering Information Example: PV-A19/X2/12W/27

| LED CLASS | LAMP TYPE | SERIES | WATTAGE | CCT(K) |
|------------------|-----------|--------|---------|------------|
| PV (Pure Vision) | A19 | X2 | 12W | 50 (5000K) |
| | | | 10W | 40 (4000K) |
| | | I8 | 9W | 35 (3500K) |
| | | | 30 | 30 (3000K) |
| | | | 27 | 27 (2700K) |



LED LAMP

VIVID Series



VIV-A21, VIV-A15, VIV-A19/GU

Features & Benefits

Energy Star listed*

Suitable for enclosed fixtures*

Dimmable*, High CRI (80+)

Damp location rated

* For applicable models, see product specification below

Warranty & Cautions

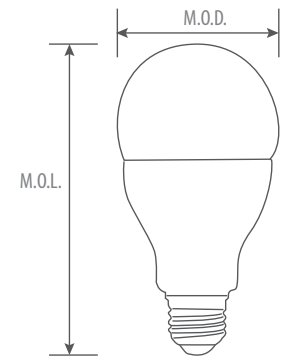
3-year limited warranty from the date of purchase

Operating temperature between -20°C and +40°C

Ordering Information Example: VIV-A19/8W/27/D/GU

| LED CLASS | LAMP TYPE | WATTAGE | CCT(K) | DIMMABLE | COVER/BASE |
|-------------|-----------|----------|------------|--------------------------------------|-----------------------------|
| VIV (Vivid) | A21 | 23W | 27 (2700K) | D (dimmable) Blank (non dimmable) | F (Frost) GU (Base GU24) |
| | A19 | 3WAY 15W | 30 (3000K) | | |
| | A15 | 8W | 40 (4000K) | | |
| | | 6W | 50 (5000K) | | |

Dimensional drawing



Product Specification

| Ordering Code | Energy Star | Model Number | Product Description | Watts (W) | Replacement Incandescent | Base | Voltage (V) | Hour Rating | Beam Angle | Initial Lumens (lm) | CCT(K) | CRI | EFA ¹ | Damp LOC. | M.O.D. (inch) | M.O.L. (inch) | Case QTY. |
|---------------|-------------|-----------------------|-----------------------------|-----------|--------------------------|------|-------------|-------------|------------|---------------------|--------|-----|------------------|-----------|---------------|---------------|-----------|
| VIV-A21 | | | | | | | | | | | | | | | | | |
| 1764210 | Yes | VIV-A21/23W/30/D | A21 23W 3000K Dimmable | 23 | 150W | E26 | 120 | 15,000 | 230° | 2550 | 3000 | 80 | Y | Y | 2.63 | 4.8 | 40 |
| 1763232 | Yes | VIV-A21/3WAY/15W/27/D | A21 3-WAY 15W/10W/5W 2700K | 15/10/5 | 100W/75W/50W | E26 | 120 | 15,000 | 230° | 1600/1100/600 | 2700 | 80 | Y | Y | 2.63 | 4.8 | 40 |
| VIV-A15 | | | | | | | | | | | | | | | | | |
| 1762734 | No | VIV-A15/6W/27/D/F | A15 6W 2700K Dimmable Frost | 6 | 60W | E26 | 120 | 15,000 | 180° | 500 | 2700 | 80 | - | Y | - | 3.3 | 50 |
| VIV-A19 GU24 | | | | | | | | | | | | | | | | | |
| 1762197 | Yes | VIV-A19/8W/27/D/GU | A19 8W 2700K Dimmable GU24 | 8 | 60W | GU24 | 120 | 25,000 | 235° | 800 | 2700 | 80 | Y | Y | - | 4.17 | 40 |
| 1762766 | Yes | VIV-A19/8W/30/D/GU | A19 8W 3000K Dimmable GU24 | 8 | 60W | GU24 | 120 | 25,000 | 235° | 800 | 3000 | 80 | Y | Y | - | 4.17 | 40 |
| 1762844 | Yes | VIV-A19/8W/40/D/GU | A19 8W 4000K Dimmable GU24 | 8 | 60W | GU24 | 120 | 25,000 | 235° | 800 | 4000 | 80 | Y | Y | - | 4.17 | 40 |
| 1762528 | Yes | VIV-A19/8W/50/D/GU | A19 8W 5000K Dimmable GU24 | 8 | 60W | GU24 | 120 | 25,000 | 235° | 800 | 5000 | 80 | Y | Y | - | 4.17 | 40 |

¹ Enclosed Fixture Application



LED LAMP

VIVID Series



VIV-B10/B11, VIV-G25/G16 VIV-MR11, VIV-G9



Features & Benefits

Energy Star listed*

Suitable for enclosed fixtures*

Dimmable*, High CRI (80+)

Damp location rated*

* For applicable models, see product specification below

Warranty & Cautions

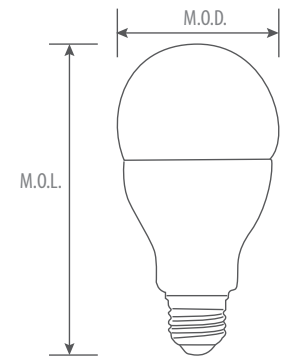
3-year limited warranty from the date of purchase

Operating temperature between -20°C and +45°C

Ordering Information Example: VIV-A19/8W/27/D/GU

| LED CLASS | LAMP TYPE | WATTAGE | CCT(K) | BASE | DIMMABLE | OTHER |
|-------------|------------------------------------|--------------------------|--|------|--------------------------------------|---|
| VIV (Vivid) | B10, B11 G25, G16 MR11 G9 | 8W 7W 4.5W 2.5W | 27 (2700K) 30 (3000K) 40 (4000K) | E12 | D (dimmable) Blank (non dimmable) | GU4 (Base GU4) S (Silver Colour) FL (Beam Spread Flood) |

Dimensional drawing



Product Specification

| Ordering Code | ES | Model Number | Watts | Replacement Incandescent | Base | Voltage (V) | Hour Rating | Beam Angle | Initial Lumens(lm) | CCT(K) | CRI | EFA ¹ | Damp LOC. | M.O.D. (inch) | M.O.L. (inch) | Case QTY. |
|---------------|----|-------------------------|-------|--------------------------|------|-------------|-------------|------------|--------------------|--------|-----|------------------|-----------|---------------|---------------|-----------|
| B10/B11 | | | | | | | | | | | | | | | | |
| 1762151 | Y | VIV-B11/7W/27/E12/D | 7 | 40W | E12 | 120 | 25,000 | 230° | 500 | 2700 | 80 | - | Y | - | 4.4 | 50 |
| 1762154 | Y | VIV-B11/7W/27/D | 7 | 40W | E26 | 120 | 25,000 | 230° | 500 | 2700 | 80 | - | Y | - | 4.4 | 50 |
| 1761109 | Y | VIV-B10/4.5W/27/E12/D | 4.5 | 25W | E12 | 120 | 25,000 | 230° | 310 | 2700 | 80 | - | Y | - | 4.0 | 50 |
| 1761110 | Y | VIV-B10/4.5W/27/E12/D/S | 4.5 | 25W | E12 | 120 | 25,000 | 230° | 310 | 2700 | 80 | - | Y | - | 4.0 | 50 |
| G25/G16 | | | | | | | | | | | | | | | | |
| 1762128 | Y | VIV-G25/8W/27/D | 8 | 40W | E26 | 120 | 25,000 | 170° | 500 | 2700 | 80 | - | Y | - | 4.4 | 20 |
| 1761111 | Y | VIV-G16/4.5W/27/E12/D | 4.5 | 25W | E12 | 120 | 25,000 | 230° | 310 | 2700 | 80 | - | Y | - | 3.3 | 50 |
| MR11 | | | | | | | | | | | | | | | | |
| 1761237 | N | VIV-MR11/2.5W/30/FL/GU4 | 2.5 | 10W | GU4 | 12 | 30,000 | 30° | 130 | 3000 | 80 | - | - | 1.4 | 1.5 | 200 |
| G9 | | | | | | | | | | | | | | | | |
| 1761243 | N | VIV-G9/2.5W/30/D | 2.5 | 20W | G9 | 120 | 25,000 | | 200 | 3000 | 80 | Y | Y | - | 2.1 | 100 |
| 1761436 | N | VIV-G9/2.5W/40/D | 2.5 | 20W | G9 | 120 | 25,000 | | 200 | 4000 | 80 | Y | Y | - | 2.1 | 100 |

¹ Enclosed Fixture Application





LED LAMP

VIVID Series

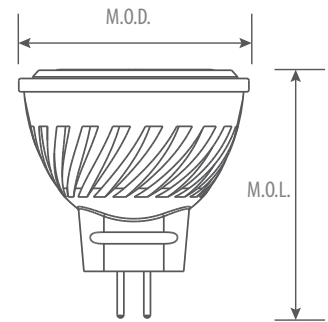


VIV-MR11/3W

Features & Benefits

| | |
|------------------------------|--|
| 3W replaces 20W incandescent | 25,000 hour average life |
| 12V GU4 base | Suitable for the enclosed fixture, Damp location rated |
| Flood beam spread | High CRI (80+), non-dimmable |

Dimensional drawing



Warranty & Cautions

| |
|---|
| 2-year limited warranty |
| Operating temperature range between -20°C and +45°C |
| UL/cUL listed, FCC compliant, RoHS compliant |

Product Specification

| Ordering Code | Model Number | Watts | Replacement Incandescent | Base | Voltage (V) | Hour Rating | Beam Angle | Initial Lumens(lm) | CCT(K) | CRI | C.B.C.P. | M.O.D. (inch) | M.O.L. (inch) | Case QTY. |
|---------------|-----------------------|-------|--------------------------|------|-------------|-------------|------------|--------------------|--------|-----|----------|---------------|---------------|-----------|
| 1761244 | VIV-MR11/3W/30/FL/GU4 | 3 | 20W | GU4 | 12 | 25,000 | 30° | 200 | 3000 | 80 | 600 | 1.38 | 1.5 | 200 |

Ordering Information Example: VIV-MR11/3W/30/FL/GU4

| LED CLASS | LAMP TYPE | WATTAGE | CCT(K) | BEAM SPREAD | BASE |
|-------------|-----------|---------|------------|-------------|------|
| VIV (Vivid) | MR11 | 3W | 30 (3000K) | FL (Flood) | GU4 |



LED LAMP
HD Series
VASO Series



HD-MR16, VASO-MR16



Features & Benefits

Energy Star listed, 25,000 hour average life
 Suitable for enclosed fixtures*

Dimmable, High CRI (80+)
 Damp location rated

* For applicable models, see product specification below

Warranty & Cautions

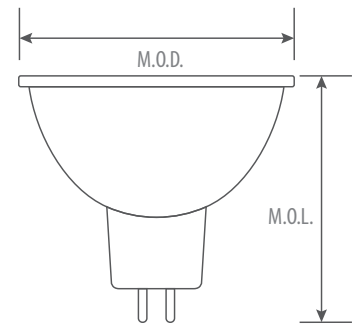
3-year limited warranty from the date of purchase

Operating temperature between -20°C and +45°C

Ordering Information Example: VIV-A19/8W/27/D/GU

| LED CLASS | LAMP TYPE | WATTAGE | CCT(K) | BASE | DIMMABLE | OTHER |
|------------|-----------|----------------|--|---------------|--------------------------------------|---------------------------------|
| VASO HD | MR16 | 9W 7W 6W | 27 (2700K) 30 (3000K) 40 (4000K) | GU5.3 GU10 | D (dimmable) Blank (non dimmable) | HL (High Lumen) I90 (CRI 90) |

Dimensional drawing



Product Specification

| Ordering Code | ES | Model Number | Watts | Replacement Incandescent | Base | Voltage (V) | Hour Rating | Beam Angle | Initial Lumens(lm) | CCT(K) | CRI | C.B.C.P | Enclosed Fixture Application | Damp LOC. | M.O.D. (inch) | M.O.L. (inch) | Case QTY. |
|--------------------------|----|--------------------------------|-------|--------------------------|-------|-------------|-------------|------------|--------------------|--------|-----|---------|------------------------------|-----------|---------------|---------------|-----------|
| HD-MR16 | | | | | | | | | | | | | | | | | |
| 1782225 | Y | HD-MR16/9W/30/SP15/GU5.3/D/HL | 9 | 60W | GU5.3 | 12 | 25,000 | 15° | 685 | 3000 | 80 | 6800 | Y | Y | 1.97 | 1.87 | 50 |
| 1782226 | Y | HD-MR16/9W/30/FL25/GU5.3/D/HL | 9 | 60W | GU5.3 | 12 | 25,000 | 25° | 685 | 3000 | 80 | 3200 | Y | Y | 1.97 | 1.87 | 50 |
| 1782227 | Y | HD-MR16/9W/30/FL35/GU5.3/D/HL | 9 | 60W | GU5.3 | 12 | 25,000 | 35° | 685 | 3000 | 80 | 1850 | Y | Y | 1.97 | 1.87 | 50 |
| 1782228 | Y | HD-MR16/9W/30/FL35/GU5.3/D/I90 | 9 | 40W | GU5.3 | 12 | 25,000 | 35° | 565 | 3000 | 90 | 1463 | Y | Y | 1.97 | 1.87 | 50 |
| 1762177 | Y | HD-MR16/7W/27/FL35/GU5.3/D | 7 | 40W | GU5.3 | 12 | 25,000 | 35° | 500 | 2700 | 80 | 1340 | Y | Y | 1.96 | 2.0 | 50 |
| 1762257 | Y | HD-MR16/7W/30/FL35/GU5.3/D | 7 | 40W | GU5.3 | 12 | 25,000 | 35° | 500 | 3000 | 80 | 1345 | Y | Y | 1.96 | 2.0 | 50 |
| 1762456 | Y | HD-MR16/7W/40/FL35/GU5.3/D | 7 | 40W | GU5.3 | 12 | 25,000 | 35° | 500 | 4000 | 80 | 1350 | Y | Y | 1.96 | 2.0 | 50 |
| VASO-MR16, Glass Housing | | | | | | | | | | | | | | | | | |
| 1762198 | Y | VASO-MR16/6W/27/FL35/GU5.3/D | 6 | 40W | GU5.3 | 12 | 25,000 | 35° | 450 | 2700 | 80 | 877 | Y | Y | 1.97 | 1.8 | 50 |
| 1762760 | Y | VASO-MR16/6W/30/FL35/GU5.3/D | 6 | 40W | GU5.3 | 12 | 25,000 | 35° | 450 | 3000 | 80 | 877 | Y | Y | 1.97 | 1.8 | 50 |
| 1762847 | Y | VASO-MR16/6W/40/FL35/GU5.3/D | 6 | 40W | GU5.3 | 12 | 25,000 | 35° | 450 | 4000 | 80 | 877 | Y | Y | 1.97 | 1.8 | 50 |
| 1762038 | Y | VASO-MR16/7W/30/WFL40/GU10/D | 7 | 50W | GU10 | 120 | 25,000 | 40° | 520 | 3000 | 80 | 895 | - | Y | 1.97 | 2.17 | 50 |
| 1762894 | Y | VASO-MR16/7W/40/WFL40/GU10/D | 7 | 50W | GU10 | 120 | 25,000 | 40° | 520 | 4000 | 80 | 895 | - | Y | 1.97 | 2.17 | 50 |



LED LAMP

VIVID Series



VIV-MR16



Features & Benefits

| | |
|---------------------------------------|--------------------------|
| Energy Star listed | 25,000 hour average life |
| 7W/6.5W replaces 50W/40W incandescent | Damp location approved |
| High CRI (80+), dimmable | |

Warranty & Cautions

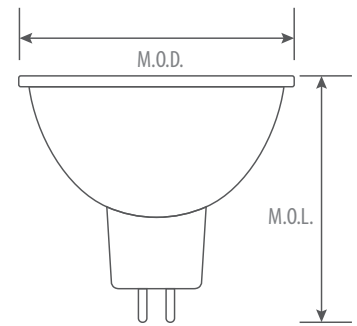
| | |
|-------------------------|---|
| 3-year limited warranty | Operating temperature range between -20°C and +45°C |
|-------------------------|---|

Ordering Information

Example: VIV-MR16/6.5W/27/WFL35/JDR/S/D

| LED CLASS | LAMP TYPE | WATTAGE | CCT(K) | BEAM ANGLE | BASE | NECK LENGTH | DIMMABLE |
|-------------|--------------|---------|--|--|----------------------------|-----------------------|--------------------------------------|
| VIV (Vivid) | MR16 MR16/T3 | 7W 6.5W | 50 (5000K) 40 (4000K) 30 (3000K) 27 (2700K) | WFL40 (40°) WFL35 (35°) FL25 (25°) | JDR (E26) GU10 GU5.3 | L (Long) S (Short) | D (dimmable) Blank (non dimmable) |

Dimensional drawing



Product Specification

| Ordering Code | ES | Model Number | Watts | Replacement Incandescent | Base | Voltage (V) | Hour Rating | Beam Angle | Initial Lumens(lm) | CCT(K) | CRI | C.B.C.P | Enclosed Fixture Application | Damp LOC. | M.O.D. (inch) | M.O.L. (inch) | Case QTY. |
|---------------|----|---------------------------------|-------|--------------------------|-------|-------------|-------------|------------|--------------------|--------|-----|---------|------------------------------|-----------|---------------|---------------|-----------|
| 1752202 | Y | VIV-MR16/T3/7W/30/WFL40/GU5.3/D | 7 | 50W | GU5.3 | 12 | 25,000 | 40° | 500 | 3000 | 80 | 1251 | - | Y | 1.97 | 1.8 | 100 |
| 1752402 | Y | VIV-MR16/T3/7W/40/WFL40/GU5.3/D | 7 | 50W | GU5.3 | 12 | 25,000 | 40° | 500 | 4000 | 80 | 1251 | - | Y | 1.97 | 1.8 | 100 |
| 1762013 | Y | VIV-MR16/6.5W/27/FL25/GU10/D | 6.5 | 40W | GU10 | 120 | 25,000 | 25° | 480 | 2700 | 80 | 1442 | - | Y | 1.97 | 2.17 | 50 |
| 1762787 | Y | VIV-MR16/6.5W/30/FL25/GU10/D | 6.5 | 40W | GU10 | 120 | 25,000 | 25° | 480 | 3000 | 80 | 1442 | - | Y | 1.97 | 2.17 | 50 |
| 1762870 | Y | VIV-MR16/6.5W/40/FL25/GU10/D | 6.5 | 40W | GU10 | 120 | 25,000 | 25° | 480 | 4000 | 80 | 1495 | - | Y | 1.97 | 2.17 | 50 |
| 1762014 | Y | VIV-MR16/6.5W/27/WFL35/GU10/D | 6.5 | 40W | GU10 | 120 | 25,000 | 35° | 480 | 2700 | 80 | 1080 | - | Y | 1.97 | 2.17 | 50 |
| 1762788 | Y | VIV-MR16/6.5W/30/WFL35/GU10/D | 6.5 | 40W | GU10 | 120 | 25,000 | 35° | 480 | 3000 | 80 | 1080 | - | Y | 1.97 | 2.17 | 50 |
| 1762871 | Y | VIV-MR16/6.5W/40/WFL35/GU10/D | 6.5 | 40W | GU10 | 120 | 25,000 | 35° | 480 | 4000 | 80 | 1168 | - | Y | 1.97 | 2.17 | 50 |
| 1762009 | N | VIV-MR16/6.5W/27/FL25/JDR/S/D | 6.5 | 40W | E26 | 120 | 25,000 | 25° | 500 | 2700 | 80 | 1495 | - | Y | 1.97 | 2.28 | 50 |
| 1762789 | N | VIV-MR16/6.5W/30/FL25/JDR/S/D | 6.5 | 40W | E26 | 120 | 25,000 | 25° | 500 | 3000 | 80 | 1495 | - | Y | 1.97 | 2.28 | 50 |
| 1762872 | N | VIV-MR16/6.5W/40/FL25/JDR/S/D | 6.5 | 40W | E26 | 120 | 25,000 | 25° | 500 | 4000 | 80 | 1495 | - | Y | 1.97 | 2.28 | 50 |
| 1762010 | N | VIV-MR16/6.5W/27/WFL35/JDR/S/D | 6.5 | 40W | E26 | 120 | 25,000 | 35° | 500 | 2700 | 80 | 1080 | - | Y | 1.97 | 2.28 | 50 |
| 1762790 | N | VIV-MR16/6.5W/30/WFL35/JDR/S/D | 6.5 | 40W | E26 | 120 | 25,000 | 35° | 500 | 3000 | 80 | 1080 | - | Y | 1.97 | 2.28 | 50 |
| 1762873 | N | VIV-MR16/6.5W/40/WFL35/JDR/S/D | 6.5 | 40W | E26 | 120 | 25,000 | 35° | 500 | 4000 | 80 | 1080 | - | Y | 1.97 | 2.28 | 50 |
| 1762544 | N | VIV-MR16/6.5W/50/WFL35/JDR/S/D | 6.5 | 40W | E26 | 120 | 25,000 | 35° | 500 | 5000 | 80 | 1080 | - | Y | 1.97 | 2.28 | 50 |
| 1762011 | Y | VIV-MR16/6.5W/27/FL25/JDR/L/D | 6.5 | 40W | E26 | 120 | 25,000 | 25° | 480 | 2700 | 80 | 1442 | - | Y | 1.97 | 2.84 | 50 |
| 1762791 | Y | VIV-MR16/6.5W/30/FL25/JDR/L/D | 6.5 | 40W | E26 | 120 | 25,000 | 25° | 480 | 3000 | 80 | 1442 | - | Y | 1.97 | 2.84 | 50 |
| 1762874 | Y | VIV-MR16/6.5W/40/FL25/JDR/L/D | 6.5 | 40W | E26 | 120 | 25,000 | 25° | 480 | 4000 | 80 | 1495 | - | Y | 1.97 | 2.84 | 50 |
| 1762012 | Y | VIV-MR16/6.5W/27/WFL35/JDR/L/D | 6.5 | 40W | E26 | 120 | 25,000 | 35° | 480 | 2700 | 80 | 1080 | - | Y | 1.97 | 2.84 | 50 |
| 1762792 | Y | VIV-MR16/6.5W/30/WFL35/JDR/L/D | 6.5 | 40W | E26 | 120 | 25,000 | 35° | 480 | 3000 | 80 | 1080 | - | Y | 1.97 | 2.84 | 50 |
| 1762875 | Y | VIV-MR16/6.5W/40/WFL35/JDR/L/D | 6.5 | 40W | E26 | 120 | 25,000 | 35° | 480 | 4000 | 80 | 1168 | - | Y | 1.97 | 2.84 | 50 |



LED LAMP

HD Series

HD-PAR38, HD-PAR30LN, HD-PAR30



Features & Benefits

- Outstanding high lumen output, for premium and high ceiling applications
- May be used to replace high lumen PAR, including Ceramic Metal Halide (CMH)
- 3 different beam angles (PAR 38/26W) to meet all your lighting needs

- Excellent performance for task lighting
- 50,000 hour average life, Energy Star listed*
- Energy saving up to 80% (compared with CMH)
- Enclosed fixture application and wet location approved*
- High CRI (Up to 90+)

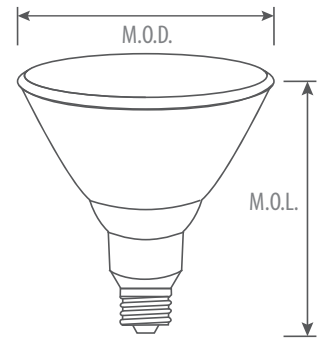
Warranty & Cautions

- 5-year (ES approved), 3-year (non ES) limited warranty
- Operating temperature range between -20°C and +40°C
- UL/cUL listed, FCC compliant, RoHS compliant

For replacement of CMH lamp types, you need to disconnect ballasts before installation

* ES listing in process, expected date of Jan 2019. For applicable models, see product specification below.

Dimensional drawing



Product Specification

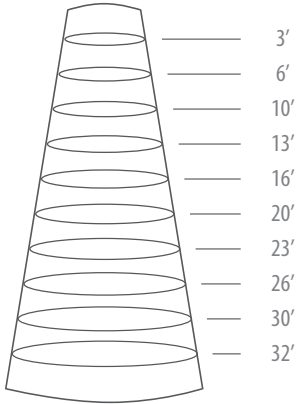
| Ordering Code | ES* | Model Number | Watts | Replacement CMH | Base | Voltage (V) | Hour Rating | Beam Angle | Initial Lumens(lm) | CCT(K) | CRI | C.B.C.P. (cd) | EFA ¹ | Wet LOC.* | Damp LOC. | M.O.D. (inch) | M.O.L. (inch) | Case QTY. |
|-------------------------|-----|---------------------------|-------|-----------------|------|-------------|-------------|------------|--------------------|--------|-----|---------------|------------------|-----------|-----------|---------------|---------------|-----------|
| HD-PAR38 (non dimmable) | | | | | | | | | | | | | | | | | | |
| 1785203 | Y | HD-PAR38/38W/30/FL25 | 38 | 100W | E26 | 120 | 50,000 | 25° | 4000 | 3000 | 80 | 17500 | N | Y | Y | 4.75 | 5.04 | 10 |
| 1785200 | Y | HD-PAR38/38W/30/WFL40 | 38 | 100W | E26 | 120 | 50,000 | 40° | 4000 | 3000 | 80 | 8000 | N | Y | Y | 4.75 | 5.04 | 10 |
| 1785400 | Y | HD-PAR38/38W/40/WFL40 | 38 | 100W | E26 | 120 | 50,000 | 40° | 4000 | 4000 | 80 | 8000 | N | Y | Y | 4.75 | 5.04 | 10 |
| HD-PAR38 (dimmable) | | | | | | | | | | | | | | | | | | |
| 1784201 | Y | HD-PAR38/26W/30/SP15/D | 26 | 70W | E26 | 120 | 50,000 | 15° | 2400 | 3000 | 90 | 20000 | Y | Y | Y | 4.75 | 5.04 | 10 |
| 1784202 | Y | HD-PAR38/26W/30/FL25/D | 26 | 70W | E26 | 120 | 50,000 | 25° | 2400 | 3000 | 90 | 11000 | Y | Y | Y | 4.75 | 5.04 | 10 |
| 1784203 | Y | HD-PAR38/26W/30/WFL40/D | 26 | 70W | E26 | 120 | 50,000 | 40° | 2400 | 3000 | 90 | 4000 | Y | Y | Y | 4.75 | 5.04 | 10 |
| 1784405 | Y | HD-PAR38/26W/40/SP15/D | 26 | 70W | E26 | 120 | 50,000 | 15° | 2400 | 4000 | 90 | 20000 | Y | Y | Y | 4.75 | 5.04 | 10 |
| 1784406 | Y | HD-PAR38/26W/40/FL25/D | 26 | 70W | E26 | 120 | 50,000 | 25° | 2400 | 4000 | 90 | 11000 | Y | Y | Y | 4.75 | 5.04 | 10 |
| 1784407 | Y | HD-PAR38/26W/40/WFL40/D | 26 | 70W | E26 | 120 | 50,000 | 40° | 2400 | 4000 | 90 | 4000 | Y | Y | Y | 4.75 | 5.04 | 10 |
| HD-PAR30LN | | | | | | | | | | | | | | | | | | |
| 1785201 | Y | HD-PAR30LN/33W/30/FL25/D | 33 | 70W | E26 | 120 | 50,000 | 25° | 3000 | 3000 | 90 | 13000 | N | N | Y | 3.75 | 4.65 | 12 |
| 1785202 | Y | HD-PAR30LN/33W/30/WFL40/D | 33 | 70W | E26 | 120 | 50,000 | 40° | 3000 | 3000 | 90 | 6500 | N | N | Y | 3.75 | 4.65 | 12 |
| HD-PAR30 | | | | | | | | | | | | | | | | | | |
| 1782225 | N | HD-PAR30/11W/30/FL25/D | 11 | 39W | E26 | 120 | 40,000 | 25° | 1100 | 3000 | 80 | 2910 | Y | N | Y | 3.75 | 3.58 | 30 |
| 1782226 | N | HD-PAR30/11W/30/WFL40/D | 11 | 39W | E26 | 120 | 40,000 | 40° | 1100 | 3000 | 80 | 1315 | Y | N | Y | 3.75 | 3.58 | 30 |

¹ Enclosed Fixture Application



HD-PAR38, HD-PAR30LN, HD-PAR30

Accent Lighting Performance



HD-PAR38/26W/30/WFL40/D

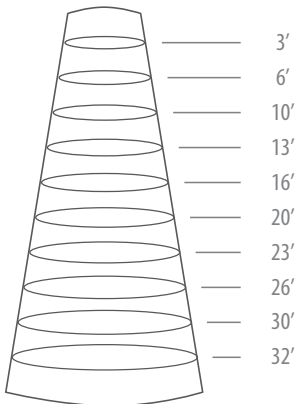
| Distance | Footcandles | Diameter |
|----------|-------------|----------|
| 3' | 573.5 | 2.22' |
| 6' | 143.4 | 4.44' |
| 10' | 51.6 | 7.41' |
| 13' | 30.5 | 9.63' |
| 16' | 20.2 | 11.85' |
| 20' | 12.9 | 14.81' |
| 23' | 9.8 | 17.03' |
| 26' | 7.6 | 19.25' |
| 30' | 5.7 | 22.22' |
| 32' | 5 | 23.70' |

HD-PAR38/26W/30/FL25/D

| Distance | Footcandles | Diameter |
|----------|-------------|----------|
| 3' | 1322 | 1.11' |
| 6' | 330.5 | 2.22' |
| 10' | 119 | 3.70' |
| 13' | 70.4 | 4.81' |
| 16' | 46.5 | 5.92' |
| 20' | 29.8 | 7.41' |
| 23' | 22.5 | 8.52' |
| 26' | 17.6 | 9.63' |
| 30' | 13.2 | 11.11' |
| 32' | 11.6 | 11.85' |

HD-PAR38/26W/30/SP15/D

| Distance | Footcandles | Diameter |
|----------|-------------|----------|
| 3' | 1961 | 0.81' |
| 6' | 490.2 | 1.63' |
| 10' | 176.5 | 2.71' |
| 13' | 104.4 | 3.52' |
| 16' | 68.9 | 4.34' |
| 20' | 44.1 | 5.42' |
| 23' | 33.4 | 6.23' |
| 26' | 26.1 | 7.05' |
| 30' | 19.6 | 8.13' |
| 32' | 17.2 | 8.67' |



HD-PAR38/38W/30/WFL40

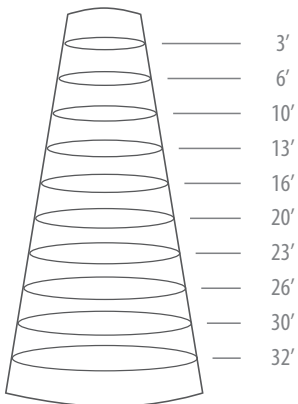
| Distance | Footcandles | Diameter |
|----------|-------------|----------|
| 3' | 901.7 | 2.19' |
| 6' | 225.4 | 4.38' |
| 10' | 81.2 | 7.31' |
| 13' | 48 | 9.50' |
| 16' | 31.7 | 11.69' |
| 20' | 20.3 | 14.61' |
| 23' | 15.3 | 16.80' |
| 26' | 12 | 19.00' |
| 30' | 9 | 21.92' |
| 32' | 7.9 | 23.38' |

HD-PAR38/38W/30/FL25

| Distance | Footcandles | Diameter |
|----------|-------------|----------|
| 3' | 2264 | 1.04' |
| 6' | 566.1 | 2.07' |
| 10' | 203.8 | 3.45' |
| 13' | 120.6 | 4.49' |
| 16' | 79.6 | 5.52' |
| 20' | 50.9 | 6.91' |
| 23' | 38.5 | 7.94' |
| 26' | 30.2 | 8.97' |
| 30' | 22.6 | 10.35' |
| 32' | 19.9 | 11.04' |

HD-PAR30LN/33W/30/WFL40/D

| Distance | Footcandles | Diameter |
|----------|-------------|----------|
| 3' | 712.7 | 2.03' |
| 6' | 178.2 | 4.05' |
| 10' | 64.1 | 6.76' |
| 13' | 37.9 | 8.78' |
| 16' | 25.1 | 10.81' |
| 20' | 16 | 13.51' |
| 23' | 12.1 | 15.54' |
| 26' | 9.5 | 17.56' |
| 30' | 7.1 | 20.27' |
| 32' | 6.3 | 21.62' |



HD-PAR30LN/33W/30/FL25/D

| Distance | Footcandles | Diameter |
|----------|-------------|----------|
| 3' | 1186 | 1.22' |
| 6' | 296.6 | 2.43' |
| 10' | 106.8 | 4.06' |
| 13' | 63.2 | 5.27' |
| 16' | 41.7 | 6.49' |
| 20' | 26.7 | 8.11' |
| 23' | 20.2 | 9.33' |
| 26' | 15.8 | 10.54' |
| 30' | 11.9 | 12.17' |
| 32' | 10.4 | 12.98' |

HD-PAR30/11W/30/WFL40/D

| Distance | Footcandles | Diameter |
|----------|-------------|----------|
| 3' | 248 | 2.02' |
| 6' | 62 | 4.03' |
| 10' | 22.3 | 6.73' |
| 13' | 13.2 | 8.75' |
| 16' | 8.7 | 10.77' |
| 20' | 5.6 | 13.46' |
| 23' | 4.2 | 15.48' |
| 26' | 3.3 | 17.5' |
| 30' | 2.5 | 20.19' |
| 32' | 2.2 | 21.54' |

HD-PAR30/11W/30/FL25/D

| Distance | Footcandles | Diameter |
|----------|-------------|----------|
| 3' | 480.5 | 1.15' |
| 6' | 120.1 | 2.30' |
| 10' | 43.2 | 3.83' |
| 13' | 25.6 | 4.97' |
| 16' | 16.9 | 6.12' |
| 20' | 10.8 | 7.65' |
| 23' | 8.2 | 8.80' |
| 26' | 6.4 | 9.94' |
| 30' | 4.8 | 11.47' |
| 32' | 4.2 | 12.24' |

Ordering Information Example: HD-PAR38/26W/30/SP15/D

| LED CLASS | LAMP TYPE | WATTAGE | CCT(K) | BEAM ANGLE | DIMMABLE |
|-----------|------------------------|----------|--------------------------|---|--------------------------------------|
| HD | PAR38 | 26W, 38W | 30 (3000K) 40 (4000K) | SP15 (15°) FL25 (25°) WFL40 (40°) | D (dimmable) Blank (non dimmable) |
| | PAR30LN (Long Neck) | 33W | | | |
| | PAR30 | 11W | | | |



LED LAMP

PURE VISION

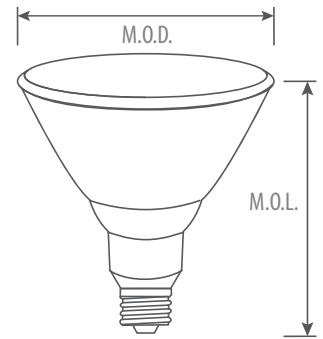


PV-PAR38, PV-PAR30LN, PV-PAR20

Features & Benefits

| | |
|--|------------------------------|
| Energy Star listed ,unique halogen looking lens design | Black housing available |
| Beam angle 40° & 25°, with wide color temperature options* | 25,000 hour average life |
| High CRI (80+), dimmable** | Enclosed fixture application |
| 16W replaces 120W halogen, 13W replaces 90W halogen, 12W replaces 75W halogen, 7W replaces 50W halogen | Wet location approved |

Dimensional drawing



Warranty & Cautions

| |
|---|
| 3-year limited warranty |
| Operating temperature range between -20°C and +50°C |
| UL/cUL listed, FCC compliant, RoHS compliant |

* PAR30LN, PAR20 5000K ES available. ** Check the dimmer compatibility list on our website www.turolight.com

Product Specification

| Ordering Code | ES | Model Number | Watts | Base | Voltage (V) | Hour Rating | Beam Angle | Initial Lumens(lm) | CCT(K) | CRI | C.B.C.P. (cd) | EFA ¹ | Wet LOC. | Damp LOC. | M.O.D. (inch) | M.O.L. (inch) | Case QTY. |
|---------------|----|----------------------------|-------|------|-------------|-------------|------------|--------------------|--------|-----|---------------|------------------|----------|-----------|---------------|---------------|-----------|
| PV-PAR38 | | | | | | | | | | | | | | | | | |
| 1733100 | Y | PV-PAR38/16W/27/WFL40/D/ES | 16 | E26 | 120 | 25,000 | 40° | 1400 | 2700 | 80 | 2270 | Y | Y | Y | 4.8 | 5.31 | 20 |
| 1733200 | Y | PV-PAR38/16W/30/WFL40/D/ES | 16 | E26 | 120 | 25,000 | 40° | 1400 | 3000 | 80 | 2270 | Y | Y | Y | 4.8 | 5.31 | 20 |
| 1733300 | Y | PV-PAR38/16W/35/WFL40/D/ES | 16 | E26 | 120 | 25,000 | 40° | 1400 | 3500 | 80 | 2270 | Y | Y | Y | 4.8 | 5.31 | 20 |
| 1733400 | Y | PV-PAR38/16W/40/WFL40/D/ES | 16 | E26 | 120 | 25,000 | 40° | 1400 | 4000 | 80 | 2270 | Y | Y | Y | 4.8 | 5.31 | 20 |
| 1733500 | Y | PV-PAR38/16W/50/WFL40/D/ES | 16 | E26 | 120 | 25,000 | 40° | 1400 | 5000 | 80 | 2270 | Y | Y | Y | 4.8 | 5.31 | 20 |
| 1732105 | Y | PV-PAR38/13W/27/WFL40/D/ES | 13 | E26 | 120 | 25,000 | 40° | 910 | 2700 | 80 | 1533 | Y | Y | Y | 4.8 | 5.31 | 20 |
| 1732205 | Y | PV-PAR38/13W/30/WFL40/D/ES | 13 | E26 | 120 | 25,000 | 40° | 910 | 3000 | 80 | 1533 | Y | Y | Y | 4.8 | 5.31 | 20 |
| 1732304 | Y | PV-PAR38/13W/35/WFL40/D/ES | 13 | E26 | 120 | 25,000 | 40° | 910 | 3500 | 80 | 1533 | Y | Y | Y | 4.8 | 5.31 | 20 |
| 1732404 | Y | PV-PAR38/13W/40/WFL40/D/ES | 13 | E26 | 120 | 25,000 | 40° | 910 | 4000 | 80 | 1533 | Y | Y | Y | 4.8 | 5.31 | 20 |
| 1732505 | Y | PV-PAR38/13W/50/WFL40/D/ES | 13 | E26 | 120 | 25,000 | 40° | 910 | 5000 | 80 | 1533 | Y | Y | Y | 4.8 | 5.31 | 20 |

¹ Enclosed Fixture Application



PV-PAR38, PV-PAR30LN, PV-PAR20

| Ordering Code | ES | Model Number | Watts | Base | Voltage (V) | Hour Rating | Beam Angle | Initial Lumens(lm) | CCT(K) | CRI | C.B.C.P. (cd) | EFA ¹ | Wet LOC. | Damp LOC. | M.O.D. (inch) | M.O.L. (inch) | Case QTY. | |
|---------------|----|---------------------------------|-------|------|-------------|-------------|------------|--------------------|--------|-----|---------------|------------------|----------|-----------|---------------|---------------|-----------|--|
| PV-PAR30LN | | | | | | | | | | | | | | | | | | |
| 1732206 | Y | PV-PAR30LN/12W/30/FL25/D/ES | 12 | E26 | 120 | 25,000 | 25° | 840 | 3000 | 80 | 2910 | Y | Y | Y | 3.74 | 4.84 | 30 | |
| 1732107 | Y | PV-PAR30LN/12W/27/WFL40/D/ES | 12 | E26 | 120 | 25,000 | 40° | 840 | 2700 | 80 | 1315 | Y | Y | Y | 3.74 | 4.84 | 30 | |
| 1732207 | Y | PV-PAR30LN/12W/30/WFL40/D/ES | 12 | E26 | 120 | 25,000 | 40° | 840 | 3000 | 80 | 1315 | Y | Y | Y | 3.74 | 4.84 | 30 | |
| 1732406 | Y | PV-PAR30LN/12W/40/WFL40/D/ES | 12 | E26 | 120 | 25,000 | 40° | 840 | 4000 | 80 | 1315 | Y | Y | Y | 3.74 | 4.84 | 30 | |
| 1762886 | Y | PV-PAR30LN/12W/30/WFL40/D/ES/BK | 12 | E26 | 120 | 25,000 | 40° | 840 | 3000 | 80 | 1315 | Y | Y | Y | 3.74 | 4.84 | 30 | |
| PV-PAR20 | | | | | | | | | | | | | | | | | | |
| 1732109 | Y | PV-PAR20/7W/27/WFL40/D/ES | 7 | E26 | 120 | 25,000 | 40° | 500 | 2700 | 80 | 593 | Y | Y | Y | 2.47 | 3.46 | 50 | |
| 1732209 | Y | PV-PAR20/7W/30/WFL40/D/ES | 7 | E26 | 120 | 25,000 | 40° | 500 | 3000 | 80 | 593 | Y | Y | Y | 2.47 | 3.46 | 50 | |
| 1732408 | Y | PV-PAR20/7W/40/WFL40/D/ES | 7 | E26 | 120 | 25,000 | 40° | 500 | 4000 | 80 | 593 | Y | Y | Y | 2.47 | 3.46 | 50 | |
| 1762887 | Y | PV-PAR20/7W/30/WFL40/D/ES/BK | 7 | E26 | 120 | 25,000 | 40° | 500 | 4000 | 80 | 593 | Y | Y | Y | 2.47 | 3.46 | 50 | |

Ordering Information Example: PV-PAR38/13W/27/FL25/D/ES

| LED CLASS | LAMP TYPE | WATTAGE | CCT(K) | BEAM ANGLE | DIMMABLE | ENERGY STAR | Housing Colour |
|-----------|---------------------------------------|-------------------------|------------------------|------------|----------|-------------|----------------------------|
| PV | PAR38 PAR30LN (Long Neck) PAR20 | 16W 13W 12W 7W | 50, 40 35, 30 27 | WFL40 | D | ES | BK (Black) Blank(White) |



LED LAMP

VIVID Series

DirectFit T5 Lamp



VIV-T5DFSP4



Features & Benefits

| | |
|-----------------------------------|---|
| DLC approved ¹ | Suitable for splash zones of food equipment |
| Direct Fit , Frost Shatterproof | 50,000 hour life (L70) |
| NSF/ANSI 2 Certified ² | Fits into existing linear fixtures |
| Replaces T5 HO & T5 HE | Compatible with most program start ballast ³ |
| 180° Beam angle, High CRI (83+) | |

Dimensional drawing



Warranty & Cautions

- 5-year limited warranty for DLC listed lamps / 3-year limited warranty for non-DLC*
- Bulb wall temperature range between -20°C and +45°C
- Not recommended to use with ballast 5 years or older

*Please check the "Turolight LED Limited Warranty" for details

Product Specification

| Ordering Code | DLC | Model Number | Description | Wattage | | Lum/W | Base | Voltage (V) | Hour Rating | Beam Angle | Initial Lumen (lm) | CCT(K) | CRI | M.O.L. (inch) | Case QTY. |
|----------------|-----|-------------------------|--|----------------|------------------|-------|------|--------------|-------------|------------|--------------------|--------|-----|---------------|-----------|
| | | | | Lamp Power (W) | System Power (W) | | | | | | | | | | |
| Replaces T5 HO | | | | | | | | | | | | | | | |
| 1762351 | - | VIV-T5DFSP4/9W/35/F | Direct Fit 2ft 9W G5 35K Frost Shatterproof | 9 | 12 | 83.3 | G5 | 120-277, 347 | 50,000 | 180 | 1000 | 3500 | 83 | 24 | 25 |
| 1762848 | - | VIV-T5DFSP4/9W/40/F | Direct Fit 2ft 9W G5 40K Frost Shatterproof | 9 | 12 | 83.3 | G5 | 120-277, 347 | 50,000 | 180 | 1000 | 4000 | 83 | 24 | 25 |
| 1762529 | - | VIV-T5DFSP4/9W/50/F | Direct Fit 2ft 9W G5 50K Frost Shatterproof | 9 | 12 | 83.3 | G5 | 120-277, 347 | 50,000 | 180 | 1000 | 5000 | 83 | 24 | 25 |
| 1763314 | - | VIV-T5DFSP4/18W/35/F | Direct Fit 3ft 18W G5 35K Frost Shatterproof | 18 | 21 | 81.0 | G5 | 120-277, 347 | 50,000 | 180 | 1700 | 3500 | 83 | 36 | 25 |
| 1763434 | - | VIV-T5DFSP4/18W/40/F | Direct Fit 3ft 18W G5 40K Frost Shatterproof | 18 | 21 | 81.0 | G5 | 120-277, 347 | 50,000 | 180 | 1700 | 4000 | 83 | 36 | 25 |
| 1763513 | - | VIV-T5DFSP4/18W/50/F | Direct Fit 3ft 18W G5 50K Frost Shatterproof | 18 | 21 | 81.0 | G5 | 120-277, 347 | 50,000 | 180 | 1700 | 5000 | 83 | 36 | 25 |
| 1764208 | Y | VIV-T5DFSP4/25W/30/F | Direct Fit 4ft 25W G5 30K Frost Shatterproof | 25 | 28 | 112.5 | G5 | 120-277, 347 | 50,000 | 180 | 3150 | 3000 | 83 | 48 | 25 |
| 1764304 | Y | VIV-T5DFSP4/25W/35/F | Direct Fit 4ft 25W G5 35K Frost Shatterproof | 25 | 28 | 112.5 | G5 | 120-277, 347 | 50,000 | 180 | 3150 | 3500 | 83 | 48 | 25 |
| 1764404 | Y | VIV-T5DFSP4/25W/40/F | Direct Fit 4ft 25W G5 40K Frost Shatterproof | 25 | 28 | 114.3 | G5 | 120-277, 347 | 50,000 | 180 | 3200 | 4000 | 83 | 48 | 25 |
| 1764505 | Y | VIV-T5DFSP4/25W/50/F | Direct Fit 4ft 25W G5 50K Frost Shatterproof | 25 | 28 | 117.9 | G5 | 120-277, 347 | 50,000 | 180 | 3300 | 5000 | 83 | 48 | 25 |
| Replaces T5 HE | | | | | | | | | | | | | | | |
| 1762352 | - | VIV-T5DFSP4/6W/35/F | Direct Fit 2ft 6W G5 35K Frost Shatterproof | 6 | 9 | 100.0 | G5 | 120-277, 347 | 50,000 | 180 | 900 | 3500 | 83 | 24 | 25 |
| 1762849 | - | VIV-T5DFSP4/6W/40/F | Direct Fit 2ft 6W G5 40K Frost Shatterproof | 6 | 9 | 105.6 | G5 | 120-277, 347 | 50,000 | 180 | 950 | 4000 | 83 | 24 | 25 |
| 1762530 | - | VIV-T5DFSP4/6W/50/F | Direct Fit 2ft 6W G5 50K Frost Shatterproof | 6 | 9 | 111.1 | G5 | 120-277, 347 | 50,000 | 180 | 1000 | 5000 | 83 | 24 | 25 |
| 1762353 | - | VIV-T5DFSP4/9W/35/F/3FT | Direct Fit 3ft 9W G5 35K Frost Shatterproof | 9 | 12 | 87.5 | G5 | 120-277, 347 | 50,000 | 180 | 1050 | 3500 | 83 | 36 | 25 |
| 1762850 | - | VIV-T5DFSP4/9W/40/F/3FT | Direct Fit 3ft 9W G5 40K Frost Shatterproof | 9 | 12 | 100.0 | G5 | 120-277, 347 | 50,000 | 180 | 1200 | 4000 | 83 | 36 | 25 |
| 1762531 | - | VIV-T5DFSP4/9W/50/F/3FT | Direct Fit 3ft 9W G5 50K Frost Shatterproof | 9 | 12 | 108.3 | G5 | 120-277, 347 | 50,000 | 180 | 1300 | 5000 | 83 | 36 | 25 |
| 1762793 | Y | VIV-T5DFSP4/13W/30/F | Direct Fit 4ft 13W G5 30K Frost Shatterproof | 13 | 16 | 112.5 | G5 | 120-277, 347 | 50,000 | 180 | 1800 | 3000 | 83 | 48 | 25 |
| 1762354 | Y | VIV-T5DFSP4/13W/35/F | Direct Fit 4ft 13W G5 35K Frost Shatterproof | 13 | 16 | 112.5 | G5 | 120-277, 347 | 50,000 | 180 | 1800 | 3500 | 83 | 48 | 25 |
| 1762851 | Y | VIV-T5DFSP4/13W/40/F | Direct Fit 4ft 13W G5 40K Frost Shatterproof | 13 | 16 | 115.6 | G5 | 120-277, 347 | 50,000 | 180 | 1850 | 4000 | 83 | 48 | 25 |
| 1762532 | Y | VIV-T5DFSP4/13W/50/F | Direct Fit 4ft 13W G5 50K Frost Shatterproof | 13 | 16 | 126.7 | G5 | 120-277, 347 | 50,000 | 180 | 1900 | 5000 | 83 | 48 | 25 |



LED LAMP

VIVID Series



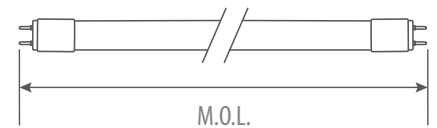
VIV-T5DF4



Features & Benefits

| | |
|---|---|
| DLC approved | NSF/ANSI 2 Certified ¹ |
| All glass construction , aluminium end caps | Suitable for splash zones of food equipment |
| 50,000 hour life (L70) | Fits into existing linear fixtures |
| 220° Beam angle, High CRI (83+) | Compatible with most program start ballast ² |
| Replaces T5 HO & T5 HE | ¹ Need to work with NSF certified lighting fixtures ² Contact your sales person or check www.turolight.com for ballast compatibility list |

Dimensional drawing



Warranty & Cautions

5-year limited warranty for DLC listed lamps / 3-year limited warranty for non-DLC*

Bulb wall temperature range between -20°C and +45°C

Not recommended to use with ballast 5 years or older

*Please check the "Turolight LED Limited Warranty" for details

Product Specification

| Ordering Code | DLC | Model Number | Description | Wattage | | Lum/W | Base | Voltage (V) | Hour Rating | Beam Angle | Initial Lumen (lm) | CCT(K) | CRI | M.O.L. (inch) | Case QTY. |
|---------------|-----|--------------------|------------------------------------|----------------|------------------|-------|------|--------------|-------------|------------|--------------------|--------|-----|---------------|-----------|
| | | | | Lamp Power (W) | System Power (W) | | | | | | | | | | |
| 1764212 | Y | VIV-T5DF4/25W/30/F | T5 Direct Fit 4ft 25W G5 30K Frost | 25 | 28 | 112.5 | G5 | 120-277, 347 | 50,000 | 220 | 3150 | 3000 | 83 | 48 | 25 |
| 1764307 | Y | VIV-T5DF4/25W/35/F | T5 Direct Fit 4ft 25W G5 35K Frost | 25 | 28 | 112.5 | G5 | 120-277, 347 | 50,000 | 220 | 3150 | 3500 | 83 | 48 | 25 |
| 1764410 | Y | VIV-T5DF4/25W/40/F | T5 Direct Fit 4ft 25W G5 40K Frost | 25 | 28 | 114.3 | G5 | 120-277, 347 | 50,000 | 220 | 3200 | 4000 | 83 | 48 | 25 |
| 1764509 | Y | VIV-T5DF4/25W/50/F | T5 Direct Fit 4ft 25W G5 50K Frost | 25 | 28 | 117.9 | G5 | 120-277, 347 | 50,000 | 220 | 3300 | 5000 | 83 | 48 | 25 |
| 1762022 | Y | VIV-T5DF4/13W/30/F | T5 Direct Fit 4ft 13W G5 30K Frost | 13 | 16 | 112.5 | G5 | 120-277, 347 | 50,000 | 220 | 1800 | 3000 | 83 | 48 | 25 |
| 1762366 | Y | VIV-T5DF4/13W/35/F | T5 Direct Fit 4ft 13W G5 35K Frost | 13 | 16 | 112.5 | G5 | 120-277, 347 | 50,000 | 220 | 1800 | 3500 | 83 | 48 | 25 |
| 1762888 | Y | VIV-T5DF4/13W/40/F | T5 Direct Fit 4ft 13W G5 40K Frost | 13 | 16 | 115.6 | G5 | 120-277, 347 | 50,000 | 220 | 1850 | 4000 | 83 | 48 | 25 |
| 1762552 | Y | VIV-T5DF4/13W/50/F | T5 Direct Fit 4ft 13W G5 50K Frost | 13 | 16 | 126.7 | G5 | 120-277, 347 | 50,000 | 220 | 1900 | 5000 | 83 | 48 | 25 |

Ordering Information Example: VIV-T5DF4/25W/30/F

| LED CLASS | LAMP TYPE | DIRECT FIT | WATTAGE | CCT(K) | FROST |
|----------------|-----------|--|------------|--|-----------|
| VIV (Vivid) | T5 | DF4 (Direct Fit, 4 th version) | 25W 13W | 50 (5000K) 40 (4000K) 35 (3500K) 30 (3000K) | F (Frost) |



T8DFSP/N
High-transmittance nano-plastic, Shatterproof
No bending under high temperature

T8DFSP4
Plastic end caps, glass tube with PET cover, Shatterproof

Single Pin base, 8 ft length

T8DF4/ T8DF2
All glass construction , aluminium end caps (Linear)
Plastic body and end caps (U-Bend)



LED LAMP

VIVID Series

DirectFit T8 Lamp

VIV-T8DFSP/N, VIV-T8DFSP4
VIV-T8DF4, VIV-T8DF2

Features & Benefits

DLC approved, 50,000 hour life (L70), High CRI (83+)

NSF/ANSI 2 Certified¹ (T8DFSP4)
ETL Sanitation Certified² (T8DFSP/N)

Beam angle
220° (T8DF4, T8DF2), 180° (T8DFSP4), 160° (T8DFSP/N)

Direct replacement for T8 linear fluorescent

Fits into existing linear fixtures

Compatible with most Instant Start Ballast³ with input voltage of 120-277V and 347V

¹Need to work with NSF certified lighting fixtures

²Need to work with ETL Sanitation certified lighting fixtures

³For detail, you may contact your sales person or check www.turolight.com for ballast compatibility list

Warranty & Cautions

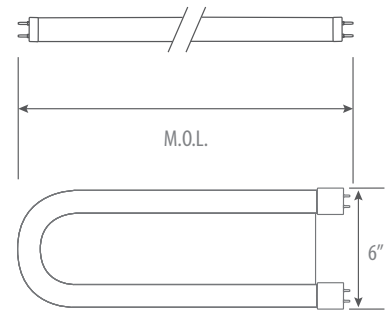
5-year limited warranty for DLC listed lamps / 3-year limited warranty for non-DLC*

Bulb wall temperature range between -20°C and +45°C

Not recommended to use with ballast 5 years or older

*Please check the "Turolight LED Limited Warranty" for details

Dimensional drawing



Product Specification

| Ordering Code | DLC | Model Number | Nominal Lamp Power (Watts) | System Power (Watts) | | | Initial Lumen (lm) | | | Base | Voltage (V) | Hour Rating | Beam Angle | CCT(K) | CRI | M.O.L. (inch) | Case QTY. |
|---------------------|-----|--------------------------|----------------------------|----------------------|------------------|----------------|--------------------|------------------|----------------|------|--------------|-------------|------------|--------|-----|---------------|-----------|
| | | | | Low BF (0.78) | Normal BF (0.88) | High BF (1.16) | Low BF (0.78) | Normal BF (0.88) | High BF (1.16) | | | | | | | | |
| T8DFSP/N (NANO) | | | | | | | | | | | | | | | | | |
| 1762023 | Y | VIV-T8DFSP/N/15W/30/F | 15 | 15 | 18 | 24 | 1700 | 2100 | 2800 | G13 | 120-277, 347 | 50,000 | 160 | 3000 | 83 | 48 | 25 |
| 1762367 | Y | VIV-T8DFSP/N/15W/35/F | 15 | 15 | 18 | 24 | 1700 | 2100 | 2800 | G13 | 120-277, 347 | 50,000 | 160 | 3500 | 83 | 48 | 25 |
| 1762884 | Y | VIV-T8DFSP/N/15W/40/F | 15 | 15 | 18 | 24 | 1800 | 2200 | 2900 | G13 | 120-277, 347 | 50,000 | 160 | 4000 | 83 | 48 | 25 |
| 1762555 | Y | VIV-T8DFSP/N/15W/50/F | 15 | 15 | 18 | 24 | 1800 | 2200 | 2900 | G13 | 120-277, 347 | 50,000 | 160 | 5000 | 83 | 48 | 25 |
| T8DFSP4 | | | | | | | | | | | | | | | | | |
| 1762867 | Y | VIV-T8DFSP4/9W/40/F | 9 | 9 | 12 | 17 | 950 | 1350 | 2050 | G13 | 120-277, 347 | 50,000 | 180 | 4000 | 83 | 24 | 25 |
| 1762543 | Y | VIV-T8DFSP4/9W/50/F | 9 | 9 | 12 | 17 | 1000 | 1400 | 2100 | G13 | 120-277, 347 | 50,000 | 180 | 5000 | 83 | 24 | 25 |
| 1762822 | Y | VIV-T8DFSP4/13W/40/F | 13 | 13 | 16 | 22 | 1500 | 1900 | 2600 | G13 | 120-277, 347 | 50,000 | 180 | 4000 | 83 | 48 | 25 |
| 1762524 | Y | VIV-T8DFSP4/13W/50/F | 13 | 13 | 16 | 22 | 1600 | 2000 | 2700 | G13 | 120-277, 347 | 50,000 | 180 | 5000 | 83 | 48 | 25 |
| 1763439 | - | VIV-T8DFSP4/20W/40/F/5FT | 20 | 20 | 23 | 30 | 1800 | 2200 | 2900 | G13 | 120-277, 347 | 50,000 | 180 | 4000 | 83 | 60 | 25 |
| 1763517 | - | VIV-T8DFSP4/20W/50/F/5FT | 20 | 20 | 23 | 30 | 1900 | 2300 | 3000 | G13 | 120-277, 347 | 50,000 | 180 | 5000 | 83 | 60 | 25 |
| T8DF4/ T8DF2 Linear | | | | | | | | | | | | | | | | | |
| 1762024 | Y | VIV-T8DF4/11W/30/F/3FT | 11 | 11 | 14 | 20 | 1200 | 1600 | 2300 | G13 | 120-277, 347 | 50,000 | 220 | 3000 | 83 | 36 | 25 |
| 1762368 | Y | VIV-T8DF4/11W/35/F/3FT | 11 | 11 | 14 | 20 | 1200 | 1600 | 2300 | G13 | 120-277, 347 | 50,000 | 220 | 3500 | 83 | 36 | 25 |
| 1762889 | Y | VIV-T8DF4/11W/40/F/3FT | 11 | 11 | 14 | 20 | 1250 | 1650 | 2350 | G13 | 120-277, 347 | 50,000 | 220 | 4000 | 83 | 36 | 25 |
| 1762554 | Y | VIV-T8DF4/11W/50/F/3FT | 11 | 11 | 14 | 20 | 1250 | 1650 | 2350 | G13 | 120-277, 347 | 50,000 | 220 | 5000 | 83 | 36 | 25 |



VIV-T8DFSP/N , VIV-T8DFSP4, VIV-T8DF4, VIV-T8DF2

| Ordering Code | DLC | Model Number | Nominal Lamp Power (Watts) | System Power (Watts) | | | Initial Lumen (lm) | | | Base | Voltage (V) | Hour Rating | Beam Angle | CCT(K) | CRI | M.O.L. (inch) | Case QTY. |
|-------------------------|-----|----------------------|----------------------------|----------------------|------------------|----------------|--------------------|------------------|----------------|------------|--------------|-------------|------------|--------|-----|---------------|-----------|
| | | | | Low BF (0.78) | Normal BF (0.88) | High BF (1.16) | Low BF (0.78) | Normal BF (0.88) | High BF (1.16) | | | | | | | | |
| 1762883 | Y | VIV-T8DF4/10.5W/40/F | 10.5 | 10.5 | 13.5 | 19.5 | 1350 | 1750 | 2450 | G13 | 120-277, 347 | 50,000 | 220 | 4000 | 83 | 48 | 25 |
| 1762551 | Y | VIV-T8DF4/10.5W/50/F | 10.5 | 10.5 | 13.5 | 19.5 | 1400 | 1800 | 2500 | G13 | 120-277, 347 | 50,000 | 220 | 5000 | 83 | 48 | 25 |
| 1762025 | Y | VIV-T8DF2/13W/30/F | 13 | 13 | 16 | 22 | 1400 | 1800 | 2500 | G13 | 120-277, 347 | 50,000 | 220 | 3000 | 83 | 48 | 25 |
| 1762369 | Y | VIV-T8DF2/13W/35/F | 13 | 13 | 16 | 22 | 1400 | 1800 | 2500 | G13 | 120-277, 347 | 50,000 | 220 | 3500 | 83 | 48 | 25 |
| 1762876 | Y | VIV-T8DF2/13W/40/F | 13 | 13 | 16 | 22 | 1400 | 1800 | 2500 | G13 | 120-277, 347 | 50,000 | 220 | 4000 | 83 | 48 | 25 |
| 1762545 | Y | VIV-T8DF2/13W/50/F | 13 | 13 | 16 | 22 | 1500 | 1900 | 2600 | G13 | 120-277, 347 | 50,000 | 220 | 5000 | 83 | 48 | 25 |
| T8DFSP4 Single Pin, 8ft | | | | | | | | | | | | | | | | | |
| 1764213 | Y | VIV-T8DFSP4/24W/30/F | 24 | 24 | 27 | 30 | 2900 | 3300 | 4000 | Single Pin | 120-277, 347 | 50,000 | 180 | 3000 | 83 | 96 | 8 |
| 1764308 | Y | VIV-T8DFSP4/24W/35/F | 24 | 24 | 27 | 30 | 3000 | 3400 | 4100 | Single Pin | 120-277, 347 | 50,000 | 180 | 3500 | 83 | 96 | 8 |
| 1764413 | Y | VIV-T8DFSP4/24W/40/F | 24 | 24 | 27 | 30 | 3100 | 3500 | 4200 | Single Pin | 120-277, 347 | 50,000 | 180 | 4000 | 83 | 96 | 8 |
| 1764512 | Y | VIV-T8DFSP4/24W/50/F | 24 | 24 | 27 | 30 | 3100 | 3500 | 4200 | Single Pin | 120-277, 347 | 50,000 | 180 | 5000 | 83 | 96 | 8 |
| T8DF4/ T8DF2 Linear | | | | | | | | | | | | | | | | | |
| 1762783 | Y | VIV-T8DF4/U/13W/30/F | 13 | 13 | 16 | 22 | 1400 | 1800 | 2500 | G13 | 120-277, 347 | 50,000 | 220 | 3000 | 83 | 24 | 24 |
| 1762363 | Y | VIV-T8DF4/U/13W/35/F | 13 | 13 | 16 | 22 | 1400 | 1800 | 2500 | G13 | 120-277, 347 | 50,000 | 220 | 3500 | 83 | 24 | 24 |
| 1762865 | Y | VIV-T8DF4/U/13W/40/F | 13 | 13 | 16 | 22 | 1450 | 1850 | 2550 | G13 | 120-277, 347 | 50,000 | 220 | 4000 | 83 | 24 | 24 |
| 1762540 | Y | VIV-T8DF4/U/13W/50/F | 13 | 13 | 16 | 22 | 1500 | 1900 | 2600 | G13 | 120-277, 347 | 50,000 | 220 | 5000 | 83 | 24 | 24 |

T8DF4
Plastic body and end caps (U-Bend)



Ordering Information Example: VIV-T8DFSP4/20W/35/F/SFT

| LED CLASS | LAMP TYPE | WATTAGE | CCT(K) | FROST | OTHER |
|-------------|---|--|--|-----------|------------|
| VIV (Vivid) | T8DFSP/N (Direct Fit, Shatterproof, Nano) T8DFSP4 (Direct Fit, Shatterproof) T8DF4 (Direct Fit) T8DF2 (Direct Fit) | 24W, 20W 15W, 13W, 11W 10.5W, 9W | 50 (5000K) 40 (4000K) 35 (3500K) 30 (3000K) | F (Frost) | U (U-Bend) |



LED LAMP

VIVID Series

Bypass T8 Lamp



VIV-T8BPSP4, VIV-T8BP4 (Double-ended & Single-ended) VIV-T8BPSP/Dim (Single-ended)

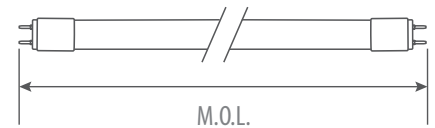


Features & Benefits

- DLC approved, Dimmable*
- External ballast not required
- Both Double-ended and Single-ended applicable installation (only single-ended for VIV-T8BPSP/Dim)
- High CRI (82+), 50,000 hour life (L70)
- NSF/ANSI 2 certified** (except T8BP4/15W)
- Use existing lamp holders (non-shunted or shunted)
- Suitabel for splash zones of food equipment

*For applicable models, see product specification below

Dimensional drawing



Warranty & Cautions

- 5-year limited warranty
- Operating temperature range between -20°C and +45°C
- UL/cUL listed, RoHS compliant
- ** Need to work with NSF certified lighting fixtures.

Ordering Information Example: VIV-T8BPSP4/18W/30/F/DE/3FT

| LED CLASS | LAMP TYPE | Bypass, Shatterproof | WATTAGE | CCT(K) | FROST | INSTALLATION | INPUT VOLTAGE | LENGTH |
|-------------|-----------|---|---------------------|--|-------|-------------------------------|--------------------------|--------------------------|
| VIV (Vivid) | T8 | BPSP4 (Bypass, Shatterproof, 4th Version) BP4 (Bypass, 4th Version) BPSP (Bypass, Shatterproof, Dimmable) | 10.5W 15W 18W | 30 (3000K) 35 (3500K) 40 (4000K) 50 (5000K) | F | DE (Single & Double-ended) | Blank (120-277V) 347V | Blank (48") 3FT (36") |

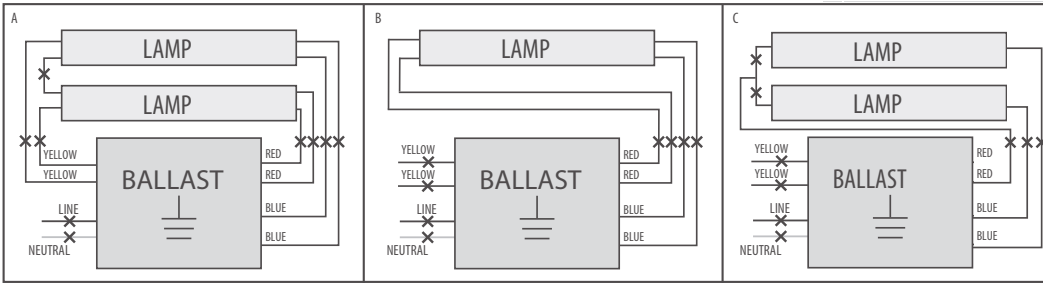
Product Specification

| Ordering Code | DLC | Model Number | Watts (W) | Voltage (V) | Initial Lumen (lm) | Base | Hour Rating | Beam Angle | CCT(K) | CRI | M.O.L. (inch) | Case QTY. |
|---------------|-----|------------------------------|-----------|-------------|--------------------|------|-------------|------------|--------|-----|---------------|-----------|
| 1752400 | Y | VIV-T8BPSP4/15W/40/F/DE/347V | 15 | 347 | 2200 | G13 | 50,000 | 180° | 4000 | 82 | 48 | 25 |
| 1752500 | Y | VIV-T8BPSP4/15W/50/F/DE/347V | 15 | 347 | 2200 | G13 | 50,000 | 180° | 5000 | 82 | 48 | 25 |
| 1762037 | Y | VIV-T8BPSP4/10.5W/30/F/DE | 10.5 | 120-277 | 1600 | G13 | 50,000 | 180° | 3000 | 82 | 48 | 25 |
| 1762372 | Y | VIV-T8BPSP4/10.5W/35/F/DE | 10.5 | 120-277 | 1600 | G13 | 50,000 | 180° | 3500 | 82 | 48 | 25 |
| 1762893 | Y | VIV-T8BPSP4/10.5W/40/F/DE | 10.5 | 120-277 | 1700 | G13 | 50,000 | 180° | 4000 | 82 | 48 | 25 |
| 1762558 | Y | VIV-T8BPSP4/10.5W/50/F/DE | 10.5 | 120-277 | 1700 | G13 | 50,000 | 180° | 5000 | 82 | 48 | 25 |
| 1752204 | Y | VIV-T8BPSP4/12W/30/F/DE/3FT | 12 | 120-277 | 1450 | G13 | 50,000 | 180° | 3000 | 82 | 36 | 25 |
| 1752300 | Y | VIV-T8BPSP4/12W/35/F/DE/3FT | 12 | 120-277 | 1450 | G13 | 50,000 | 180° | 3500 | 82 | 36 | 25 |
| 1752401 | Y | VIV-T8BPSP4/12W/40/F/DE/3FT | 12 | 120-277 | 1550 | G13 | 50,000 | 180° | 4000 | 82 | 36 | 25 |
| 1752501 | Y | VIV-T8BPSP4/12W/50/F/DE/3FT | 12 | 120-277 | 1550 | G13 | 50,000 | 180° | 5000 | 82 | 36 | 25 |
| 1763238 | Y | VIV-T8BPSP4/18W/30/F/DE | 18 | 120-277 | 2050 | G13 | 50,000 | 180° | 3000 | 82 | 48 | 25 |
| 1763319 | Y | VIV-T8BPSP4/18W/35/F/DE | 18 | 120-277 | 2050 | G13 | 50,000 | 180° | 3500 | 82 | 48 | 25 |
| 1763440 | Y | VIV-T8BPSP4/18W/40/F/DE | 18 | 120-277 | 2100 | G13 | 50,000 | 180° | 4000 | 82 | 48 | 25 |
| 1763518 | Y | VIV-T8BPSP4/18W/50/F/DE | 18 | 120-277 | 2200 | G13 | 50,000 | 180° | 5000 | 82 | 48 | 25 |
| 1762036 | Y | VIV-T8BP4/15W/30/F/DE | 15 | 120-277 | 1650 | G13 | 50,000 | 220° | 3000 | 82 | 48 | 25 |
| 1762371 | Y | VIV-T8BP4/15W/35/F/DE | 15 | 120-277 | 1700 | G13 | 50,000 | 220° | 3500 | 82 | 48 | 25 |
| 1762892 | Y | VIV-T8BP4/15W/40/F/DE | 15 | 120-277 | 1750 | G13 | 50,000 | 220° | 4000 | 82 | 48 | 25 |
| 1762557 | Y | VIV-T8BP4/15W/50/F/DE | 15 | 120-277 | 1800 | G13 | 50,000 | 220° | 5000 | 82 | 48 | 25 |
| Dimmable | | | | | | | | | | | | |
| 1763425 | Y | VIV-T8BPSP/18W/40/F/D | 18 | 120-277 | 1800 | G13 | 50,000 | 180° | 4000 | 83 | 48 | 25 |
| 1763509 | Y | VIV-T8BPSP/18W/50/F/D | 18 | 120-277 | 1900 | G13 | 50,000 | 180° | 5000 | 83 | 48 | 25 |



VIV-T8BPSP4, VIV-T8BP4 (Double-ended & Single-ended), VIV-T8BPSP/Dim (Single-ended)

Installation Guide Typical Ballast Configurations



X Indicates Where to Cut Existing Wiring

Removing Existing Fluorescent System

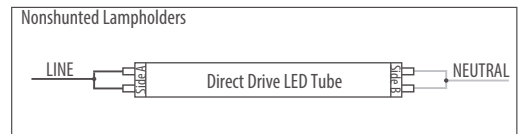
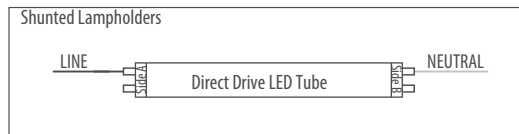
1. Disconnect power from fixture.
2. Remove fluorescent lamp(s).
3. Remove lens and wiring compartment, if applicable.
4. Cut all wires connected to the ballast as shown in Diagrams A, B, and C.
5. Identify what type of lampholders are in fixture. Double-Ended wiring installations of VIV-T8BPSP4/DE tube can be used with shunted G13 or nonshunted G13 lampholders (with instructions to externally shunt). See Figures 1 and 2.

Installing the Lamps-Double Ended

- I. Confirm that power is still disconnected from fixture.
- II. Make sure fixture is properly grounded.
- III. Follow step 1 for single lamp application or steps 2 & 3 for multiple lamp application, based on the number of lamps in the fixture:

Single Lamp

1. From AC wires, connect line (L) to Side A lampholder and neutral (N) to Side B lampholder. If only one lamp is being installed, proceed to step 4.

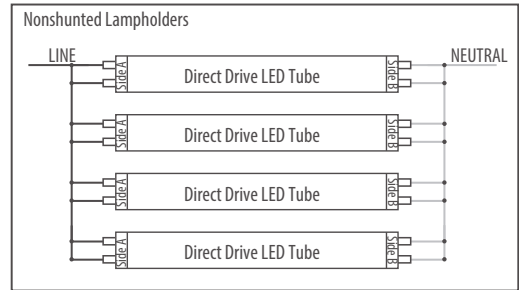
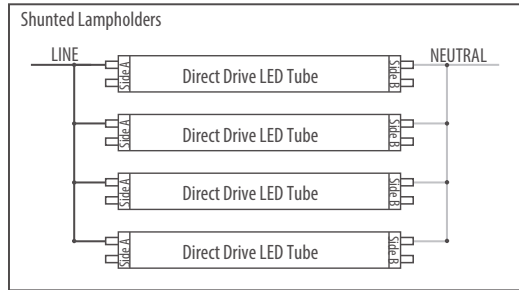


Multiple Lamps

2. Follow the steps above for single lamp connection to connect the first lamp.
3. Connect the terminals from the first lamp to the matching terminals on the lampholder of the second lamp with line and neutral wires as shown below. Continue daisy-chain connection for each additional lamp.
4. Complete all electrical connections with appropriate connectors/wire nuts as needed, per all local and national electrical codes.

NOTE: There should not be any exposed wires from sockets left unconnected.

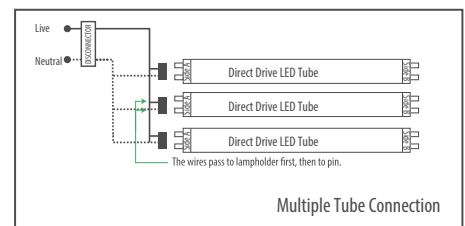
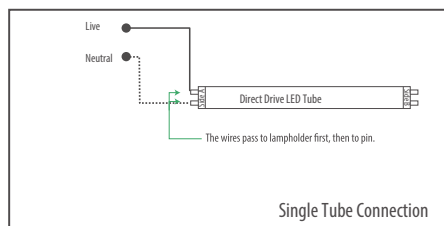
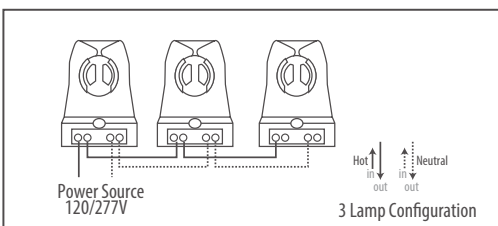
5. Replace wiring compartment cover.
6. Install all of the VIV-T8BPSP4/DE tubes. Install LED tubes so that the LEDs are pointed in the proper direction for illumination, and install any lens or diffuser as applicable.



Installing the Lamps-Single Ended (Non-Shunted)

1. Read all WARNING/CAUTIONS before continuing this section.
2. Ensure fixture is 120-277V.
3. Disconnect power at the source.
4. Remove lens if applicable, remove cover and fluorescent tubes.
5. Cut all wires that connect ballast. Properly discard ballast or cap off wires.
6. Replace lamp holders at power end with supplied non-shunted lamp holders.
7. Connect hot wire from power source into supplied non-shunted Lamp Holder "Hot In".
8. Connect neutral wire from power source into supplied non-shunted Lamp Holder "Neutral In".
9. If installing multiple lamps, continue reading. Otherwise skip to section 14.
10. Connect separate hot wire into "Hot Out" from primary source lamp holder and connect that wire into "Hot In" on the adjacent tube.

11. Connect separate neutral wire into "Neutral Out" from primary source lamp holder and connect that wire into "Neutral In" on the adjacent tube.
12. Continue this process for additional lamps.
13. Do not wire opposite end of lamp holder.
14. Install lamp with the Turolight logo (driver side) into the wired end.
15. Visibly affix "Modification Sticker" and reinstall housing cover and lens if applicable.
16. Return power back to source and installation is now completed.



Note: The luminaire shall only mount max. 4 tubes.

LED LAMP

VIVID Series



G13 R17D

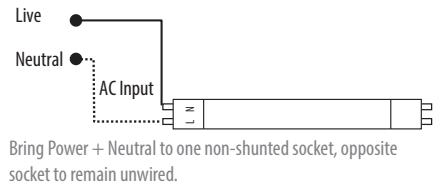
VIV-T8BPSP Nano - Sign Light



Features & Benefits

- Double sided LED strip design offers perfect 330° beam angle for outstanding light distribution
 - High-transmittance nano-plastic tube, Shatterproof, no bending under high temperature
 - Ideal to replace T8HO or T12HO fluorescent lamps for lighting sign boxes
 - Ballast Bypass (no ballast required)
 - NSF/ANSI 2 Certified¹, suitable for splash zones of food equipment
 - G13 to R17D convertible End Caps
 - Tube adjustable for optimized illumination
 - 50,000 hour life (L70), High CRI (83+)
 - 48", 60", 72" and 96" length
- ¹Need to work with ETL Sanitation certified lighting fixtures

Dimensional drawing

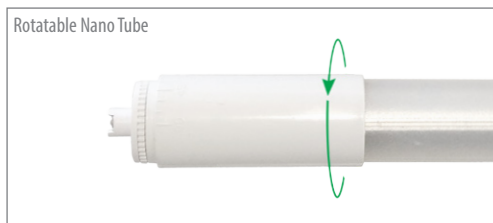


Warranty & Cautions

- 3-year limited warranty
- Bulb wall temperature range between -40°C and +45°C
- Sockets must be non-shunted

Product Specification

| Ordering Code | Model Number | Description | Lamp Power (W) | System Power (W) | Initial Lumen (lm) | Base | Voltage (V) | Hour Rating | Beam Angle | CCT(K) | CRI | M.O.L. (inch) | Case QTY. |
|---------------|----------------------------|---|----------------|------------------|--------------------|----------|-------------|-------------|------------|--------|-----|---------------|-----------|
| Non-Dimmable | | | | | | | | | | | | | |
| 1763601 | VIV-T8BPSP/N/18W/65/DS | Bypass 4ft 18W G13/R17D 65K Frost Shatterproof Double Sided | 18 | 18 | 2100 | G13/R17D | 120-277 | 50,000 | 330 | 6500 | 83 | 48 | 25 |
| 1764601 | VIV-T8BPSP/N/24W/65/DS/SFT | Bypass 5ft 24W G13/R17D 65K Frost Shatterproof Double Sided | 24 | 24 | 2800 | G13/R17D | 120-277 | 50,000 | 330 | 6500 | 83 | 60 | 25 |
| 1764602 | VIV-T8BPSP/N/30W/65/DS/6FT | Bypass 6t 30W G13/R17D 65K Frost Shatterproof Double Sided | 30 | 30 | 4100 | G13/R17D | 120-277 | 50,000 | 330 | 6500 | 83 | 72 | 12 |
| 1765600 | VIV-T8BPSP/N/36W/65/DS/8FT | Bypass 8ft 36W G13/R17D 65K Frost Shatterproof Double Sided | 36 | 36 | 4500 | G13/R17D | 120-277 | 50,000 | 330 | 6500 | 83 | 96 | 8 |



* Gently remove R17D adaptor off end cap to expose G13 (Bi-pin) base. Do not pry off as this may damage base assembly.

Ordering Information

Example: VIV-T8BPSP/N/24W/65/DS/SFT

| LED CLASS | LAMP TYPE | DIRECT FIT | LED CHIP | WATTAGE | CCT(K) | LED STRIPS | LENGTH |
|-------------|-----------|-----------------------------|----------|--------------------------|------------|-------------------|--|
| VIV (Vivid) | T8 | BPSP (Bypass, Shatterproof) | N (Nano) | 18W 24W 30W 36W | 65 (6500K) | DS (Double Sided) | 4FT (48") 5FT (60") 6FT (72") 8FT (96")** |

** Be sure set nano PCB (printed circuit board) is vertical to avoid tube distortion (sagging).



LED LAMP

VIVID Series



VIV-PLL/DF, VIV-PLL/BP

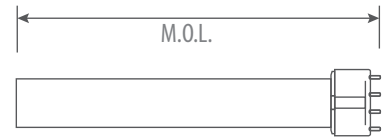


Features & Benefits

- Direct Fit and Ballast Bypass options
- Kinds of length
- 50,000 hour life (L70)

- High CRI (83+), 180° beam angle
 - Compatible with most CFL electronic fluorescent ballast¹
- ¹ For detail, you may contact your sales person or check www.turolight.com for ballast compatibility list

Dimensional drawing



Warranty & Cautions

- 3-year limited warranty
- Operating temperature range between -20°C and +45°C

Product Specification

| Ordering Code | Model Number | Description | Replacement CFL | Watts | Base | Voltage (V) | Hour Rating | Beam Angle | Initial Lumen (lm) | CCT(K) | CRI | M.O.L. (inch) | Case QTY. |
|-------------------------------------|---------------------|-----------------------------|-----------------|-------|------|-------------|-------------|------------|--------------------|--------|-----|---------------|-----------|
| PLL Replacement - Direct Fit | | | | | | | | | | | | | |
| 1762160 | VIV-PLL/DF/15W/27 | PLL Direct Fit 15W 27K | PLL 55W | 15 | 2G11 | 120/277 | 50,000 | 180 | 1600 | 2700 | 83 | 21.06 | 50 |
| 1762705 | VIV-PLL/DF/15W/30 | PLL Direct Fit 15W 30K | | 15 | 2G11 | 120/277 | 50,000 | 180 | 1600 | 3000 | 83 | 21.06 | 50 |
| 1762319 | VIV-PLL/DF/15W/35 | PLL Direct Fit 15W 35K | | 15 | 2G11 | 120/277 | 50,000 | 180 | 1600 | 3500 | 83 | 21.06 | 50 |
| 1762493 | VIV-PLL/DF/15W/40 | PLL Direct Fit 15W 40K | | 15 | 2G11 | 120/277 | 50,000 | 180 | 1600 | 4000 | 83 | 21.06 | 50 |
| 1763112 | VIV-PLL/DF/19W/27 | PLL Direct Fit 19W 27K | PLL 55W | 19 | 2G11 | 120/277 | 50,000 | 180 | 2000 | 2700 | 83 | 21.06 | 50 |
| 1763225 | VIV-PLL/DF/19W/30 | PLL Direct Fit 19W 30K | | 19 | 2G11 | 120/277 | 50,000 | 180 | 2000 | 3000 | 83 | 21.06 | 50 |
| 1763309 | VIV-PLL/DF/19W/35 | PLL Direct Fit 19W 35K | | 19 | 2G11 | 120/277 | 50,000 | 180 | 2000 | 3500 | 83 | 21.06 | 50 |
| 1763426 | VIV-PLL/DF/19W/40 | PLL Direct Fit 19W 40K | | 19 | 2G11 | 120/277 | 50,000 | 180 | 2000 | 4000 | 83 | 21.06 | 50 |
| 1763116 | VIV-PLL/DF/19W/27/L | PLL Direct Fit 19W 27K Long | PLL 40W/50W | 19 | 2G11 | 120/277 | 50,000 | 180 | 2000 | 2700 | 83 | 22.44 | 50 |
| 1763235 | VIV-PLL/DF/19W/30/L | PLL Direct Fit 19W 30K Long | | 19 | 2G11 | 120/277 | 50,000 | 180 | 2000 | 3000 | 83 | 22.44 | 50 |
| 1763316 | VIV-PLL/DF/19W/35/L | PLL Direct Fit 19W 35K Long | | 19 | 2G11 | 120/277 | 50,000 | 180 | 2000 | 3500 | 83 | 22.44 | 50 |
| 1763437 | VIV-PLL/DF/19W/40/L | PLL Direct Fit 19W 40K Long | | 19 | 2G11 | 120/277 | 50,000 | 180 | 2000 | 4000 | 83 | 22.44 | 50 |
| PLL Replacement - Bypass | | | | | | | | | | | | | |
| 1762163 | VIV-PLL/BP/8W/27 | PLL Bypass 8W 27K | PLL 18W | 8 | 2G11 | 120/277 | 50,000 | 180 | 640 | 2700 | 83 | 8.86 | 50 |
| 1762708 | VIV-PLL/BP/8W/30 | PLL Bypass 8W 30K | | 8 | 2G11 | 120/277 | 50,000 | 180 | 640 | 3000 | 83 | 8.86 | 50 |
| 1762322 | VIV-PLL/BP/8W/35 | PLL Bypass 8W 35K | | 8 | 2G11 | 120/277 | 50,000 | 180 | 640 | 3500 | 83 | 8.86 | 50 |
| 1762496 | VIV-PLL/BP/8W/40 | PLL Bypass 8W 40K | | 8 | 2G11 | 120/277 | 50,000 | 180 | 640 | 4000 | 83 | 8.86 | 50 |
| 1762164 | VIV-PLL/BP/10W/27 | PLL Bypass 10W 27K | PLL 24W | 10 | 2G11 | 120/277 | 50,000 | 180 | 800 | 2700 | 83 | 12.60 | 50 |
| 1762709 | VIV-PLL/BP/10W/30 | PLL Bypass 10W 30K | | 10 | 2G11 | 120/277 | 50,000 | 180 | 800 | 3000 | 83 | 12.60 | 50 |
| 1762323 | VIV-PLL/BP/10W/35 | PLL Bypass 10W 35K | | 10 | 2G11 | 120/277 | 50,000 | 180 | 800 | 3500 | 83 | 12.60 | 50 |
| 1762497 | VIV-PLL/BP/10W/40 | PLL Bypass 10W 40K | | 10 | 2G11 | 120/277 | 50,000 | 180 | 800 | 4000 | 83 | 12.60 | 50 |
| 1762165 | VIV-PLL/BP/15W/27 | PLL Bypass 15W 27K | PLL 36W | 15 | 2G11 | 120/277 | 50,000 | 180 | 1200 | 2700 | 83 | 16.34 | 50 |
| 1762710 | VIV-PLL/BP/15W/30 | PLL Bypass 15W 30K | | 15 | 2G11 | 120/277 | 50,000 | 180 | 1200 | 3000 | 83 | 16.34 | 50 |
| 1762324 | VIV-PLL/BP/15W/35 | PLL Bypass 15W 35K | | 15 | 2G11 | 120/277 | 50,000 | 180 | 1200 | 3500 | 83 | 16.34 | 50 |
| 1762498 | VIV-PLL/BP/15W/40 | PLL Bypass 15W 40K | | 15 | 2G11 | 120/277 | 50,000 | 180 | 1200 | 4000 | 83 | 16.34 | 50 |
| 1763113 | VIV-PLL/BP/18W/27 | PLL Bypass 18W 27K | PLL 55W | 18 | 2G11 | 120/277 | 50,000 | 180 | 1500 | 2700 | 83 | 21.06 | 50 |
| 1763226 | VIV-PLL/BP/18W/30 | PLL Bypass 18W 30K | | 18 | 2G11 | 120/277 | 50,000 | 180 | 1500 | 3000 | 83 | 21.06 | 50 |
| 1763310 | VIV-PLL/BP/18W/35 | PLL Bypass 18W 35K | | 18 | 2G11 | 120/277 | 50,000 | 180 | 1500 | 3500 | 83 | 21.06 | 50 |
| 1763427 | VIV-PLL/BP/18W/40 | PLL Bypass 18W 40K | | 18 | 2G11 | 120/277 | 50,000 | 180 | 1500 | 4000 | 83 | 21.06 | 50 |



LED LAMP

VIVID Series



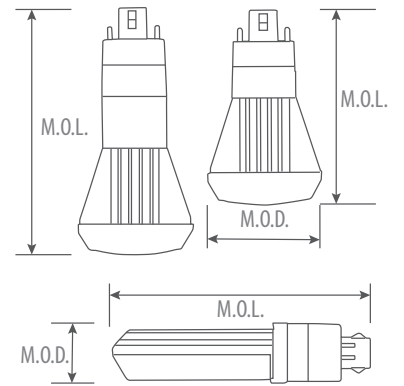
VIV-PL/DF

Features & Benefits

- DLC approved
- High CRI (83+), 120° beam angle
- 3 Versions (Horizontal, Vertical and Vertical Long)
- Enclosed fixture application and wet location approved
- G24q base matches CFL G24q-1,2,3 and GX24q-2,3,4
- Compatible with most CFL electronic fluorescent ballast¹
- 50,000 hour life (L70)

¹ For detail, you may contact your sales person or check www.turolight.com for ballast compatibility list

Dimensional drawing



Warranty & Cautions

- 5-year limited warranty for DLC listed lamps / 3-year limited warranty for non-DLC*
- Operating temperature range between -20°C and +45°C

*Please check the "Turolight LED Limited Warranty" for details

Product Specification

| Ordering Code | DLC | Model Number | Description | Replacement CFL | Watts | Base | Voltage (V) | Hour Rating | Beam Angle | Initial Lumen (lm) | CCT(K) | CRI | Enclosed Fixtures Application | M.O.L. (inch) | M.O.D. (inch) | Case QTY. |
|---------------|-----|--------------------|------------------------------------|--|-------|------|-------------|-------------|------------|--------------------|--------|-----|-------------------------------|---------------|---------------|-----------|
| 1762192 | - | VIV-PL/DF/9W/27/H | PL Direct Fit 9W 27K Horizontal | PLC 18W/26W G24q-1,G24q-2, G24q-3 PLT 18W GX24q-2 PLT 26W GX24q-3 PLT 32W GX24q-3 | 9 | G24q | 120/277 | 50,000 | 120 | 800 | 2700 | 83 | Y | 5.20 | 1.61 | 50 |
| 1762761 | Y | VIV-PL/DF/9W/30/H | PL Direct Fit 9W 30K Horizontal | | 9 | G24q | 120/277 | 50,000 | 120 | 800 | 3000 | 83 | Y | 5.20 | 1.61 | 50 |
| 1762348 | Y | VIV-PL/DF/9W/35/H | PL Direct Fit 9W 35K Horizontal | | 9 | G24q | 120/277 | 50,000 | 120 | 800 | 3500 | 83 | Y | 5.20 | 1.61 | 50 |
| 1762839 | Y | VIV-PL/DF/9W/40/H | PL Direct Fit 9W 40K Horizontal | | 9 | G24q | 120/277 | 50,000 | 120 | 850 | 4000 | 83 | Y | 5.20 | 1.61 | 50 |
| 1762537 | Y | VIV-PL/DF/9W/50/H | PL Direct Fit 9W 50K Horizontal | | 9 | G24q | 120/277 | 50,000 | 120 | 900 | 5000 | 83 | Y | 5.20 | 1.61 | 50 |
| 1762193 | - | VIV-PL/DF/9W/27/V | PL Direct Fit 9W 27K Vertical | | 9 | G24q | 120/277 | 50,000 | 120 | 850 | 2700 | 83 | Y | 3.66 | 2.09 | 50 |
| 1762762 | Y | VIV-PL/DF/9W/30/V | PL Direct Fit 9W 30K Vertical | | 9 | G24q | 120/277 | 50,000 | 120 | 850 | 3000 | 83 | Y | 3.66 | 2.09 | 50 |
| 1762349 | Y | VIV-PL/DF/9W/35/V | PL Direct Fit 9W 35K Vertical | | 9 | G24q | 120/277 | 50,000 | 120 | 850 | 3500 | 83 | Y | 3.66 | 2.09 | 50 |
| 1762840 | Y | VIV-PL/DF/9W/40/V | PL Direct Fit 9W 40K Vertical | | 9 | G24q | 120/277 | 50,000 | 120 | 900 | 4000 | 83 | Y | 3.66 | 2.09 | 50 |
| 1762538 | Y | VIV-PL/DF/9W/50/V | PL Direct Fit 9W 50K Vertical | | 9 | G24q | 120/277 | 50,000 | 120 | 950 | 5000 | 83 | Y | 3.66 | 2.09 | 50 |
| 1762194 | - | VIV-PL/DF/9W/27/VL | PL Direct Fit 9W 27K Vertical Long | | 9 | G24q | 120/277 | 50,000 | 120 | 850 | 2700 | 83 | Y | 4.65 | 2.09 | 50 |
| 1762763 | Y | VIV-PL/DF/9W/30/VL | PL Direct Fit 9W 30K Vertical Long | | 9 | G24q | 120/277 | 50,000 | 120 | 850 | 3000 | 83 | Y | 4.65 | 2.09 | 50 |
| 1762350 | Y | VIV-PL/DF/9W/35/VL | PL Direct Fit 9W 35K Vertical Long | | 9 | G24q | 120/277 | 50,000 | 120 | 850 | 3500 | 83 | Y | 4.65 | 2.09 | 50 |
| 1762841 | Y | VIV-PL/DF/9W/40/VL | PL Direct Fit 9W 40K Vertical Long | | 9 | G24q | 120/277 | 50,000 | 120 | 900 | 4000 | 83 | Y | 4.65 | 2.09 | 50 |
| 1762539 | Y | VIV-PL/DF/9W/50/VL | PL Direct Fit 9W 50K Vertical Long | | 9 | G24q | 120/277 | 50,000 | 120 | 950 | 5000 | 83 | Y | 4.65 | 2.09 | 50 |

Base Matches

PL G24q →



G24q-1



G24q-2



G24q-3



GX24q-2



GX24q-3



GX24q-4

LED FIXTURE

DL Series

LED Vapor Tight DL-VT

Linear 4' or 8' IP65 rated luminaire, suitable for wet locations.



Features & Benefits

CUL listed, DLC

High impact polycarbonate grey housing, IK08

High impact diffuser polycarbonate IK08, Opal lens

Stainless steel mounting brackets included

c/w PG13.5 threaded cable gland

0-10V Dimming / Philips / Meanwell LED Driver

LED module with LG / Everlight chip

130 lm/W

Stainless steel fastening clips

IP 65 rated

Optional microwave motion sensor

L70 @ 50,000 HRS

Warranty

5-year limited warranty in commercial use from the date of purchase

Operating temperature range between -20°C and +40°C

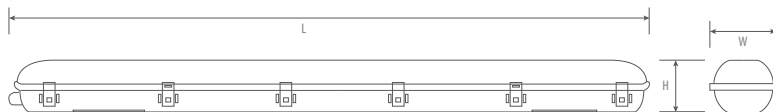
*Special environment use, please contact your sales representative

Applications

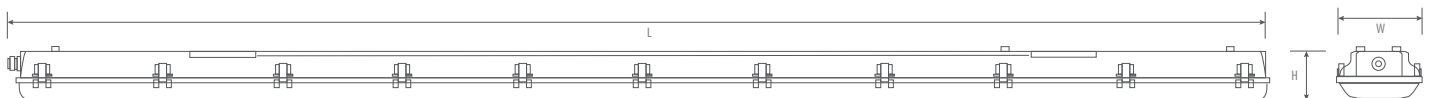
Indoor or outdoor, suitable for waterproof, dustproof and moistureproof needs**
Parking garage, Truck shop, Stairwell, Breeze way, Corridor, Car wash etc.

Dimensional drawing

4' (48")



8' (96")



| | L | W | H |
|----------|-------|------|------|
| 4' (48") | 48.0" | 4.9" | 4.1" |
| 8' (96") | 99.0" | 6.3" | 4.3" |



LED Vapor Tight

DL-VT

Ordering Information Example: DL-VT/4F/40W/40/UNV/D

| Family Name | Fixture Type | Size | Wattage | CCT | Voltage (V) | Dimmable | Options |
|---------------|------------------|--------------|---------------------|--------------------------|----------------------------------|--------------|-----------------------------|
| DL (Deltalum) | VT (Vapor Tight) | 4F(4 feet) | 40W 60W | 40 (4000K) 50 (5000K) | UNV (120-277V) HVU (347-480V) | D (Dimmable) | S (Microwave Motion Sensor) |
| | | 8F(8 feet)** | 80W 100W 120W | | | | |

** NSF rated

Product Specification

| Ordering Code | DLC | Model Number | Wattage (W) | Input Voltage (V) | Hour Rating | Beam Angle | Initial Delivered Lumens (lumen) | CCT (K) | CRI | M.O.L (inch) | Case QTY. |
|---------------|-----|------------------------|-------------------------|-------------------|-------------|------------|----------------------------------|---------|-----|--------------|-----------|
| 3665120 | Yes | DL-VT/4F/40W/40/UNV/D | 40W | 120-277V | 50,000 | 120 | 5,200 | 4000K | >80 | 48 | 4 |
| 3665121 | Yes | DL-VT/4F/40W/50/UNV/D | 40W | 120-277V | 50,000 | 120 | 5,200 | 5000K | >80 | 48 | 4 |
| 3665208 | Yes | DL-VT/4F/40W/40/347/D | 40W | 347V | 50,000 | 120 | 5,200 | 4000K | >80 | 48 | 4 |
| 3665209 | Yes | DL-VT/4F/40W/50/347/D | 40W | 347V | 50,000 | 120 | 5,200 | 5000K | >80 | 48 | 4 |
| 3666116 | Yes | DL-VT/4F/60W/40/UNV/D | 60W | 120-277V | 50,000 | 120 | 7,800 | 4000K | >80 | 48 | 4 |
| 3666117 | Yes | DL-VT/4F/60W/50/UNV/D | 60W | 120-277V | 50,000 | 120 | 7,800 | 5000K | >80 | 48 | 4 |
| 3666216 | Yes | DL-VT/4F/60W/40/HVU/D | 60W | 347V-480V | 50,000 | 120 | 7,800 | 4000K | >80 | 48 | 4 |
| 3666217 | Yes | DL-VT/4F/60W/50/HVU/D | 60W | 347V-480V | 50,000 | 120 | 7,800 | 5000K | >80 | 48 | 4 |
| 3666118 | Yes | DL-VT/8F/80W/40/UNV/D | 80W | 120-277V | 50,000 | 120 | 10,400 | 4000K | >80 | 96 | 1 |
| 3666119 | Yes | DL-VT/8F/80W/50/UNV/D | 80W | 120-277V | 50,000 | 120 | 10,400 | 5000K | >80 | 96 | 1 |
| 3666218 | Yes | DL-VT/8F/80W/40/HVU/D | 80W | 347V-480V | 50,000 | 120 | 10,400 | 4000K | >80 | 96 | 1 |
| 3666219 | Yes | DL-VT/8F/80W/50/HVU/D | 80W | 347V-480V | 50,000 | 120 | 10,400 | 5000K | >80 | 96 | 1 |
| 3666120 | No | DL-VT/8F/100W/40/UNV/D | 100W | 120-277V | 50,000 | 120 | 12,500 | 4000K | >80 | 96 | 1 |
| 3666221 | No | DL-VT/8F/100W/50/UNV/D | 100W | 120-277V | 50,000 | 120 | 12,500 | 5000K | >80 | 96 | 1 |
| 3667109 | Yes | DL-VT/8F/120W/40/UNV/D | 120W | 120-277V | 50,000 | 120 | 15,000 | 4000K | >80 | 96 | 1 |
| 3667110 | Yes | DL-VT/8F/120W/50/UNV/D | 120W | 120-277V | 50,000 | 120 | 15,000 | 5000K | >80 | 96 | 1 |
| 3667210 | Yes | DL-VT/8F/120W/40/HVU/D | 120W | 347V-480V | 50,000 | 120 | 15,000 | 4000K | >80 | 96 | 1 |
| 3667211 | Yes | DL-VT/8F/120W/50/HVU/D | 120W | 347V-480V | 50,000 | 120 | 15,000 | 5000K | >80 | 96 | 1 |
| | | | | | | | | | | | |
| | Yes | "S" | Microwave Motion Sensor | | | | | | | | |

LED FIXTURE

DL Series

LED Eco-Commercial Strip

DL-EC

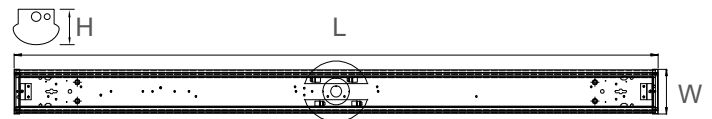
Linear 2', 3', 4' and 8' LED strip light, 120-347V auto-sensing driver



Features & Benefits

- _____ CUL listed, DLC
- _____ 2', 3', 4' and 8' length selection
- _____ 120-347V Auto-sensing driver, 0-10V dimming
- _____ Average rated life 100,000 hrs L70 (TM-21 @ 70 °C), CRI ≥ 80
- _____ System light efficacy ≥ 130lm per watt
- _____ White metal finish (black available for special order), PMMA Opal Lens
- _____ Surface or Suspended mounting, row mountable w/ joiner plate
- _____ Damp location rated

Dimensional Drawing



| | L | W | H |
|------------|-------|------|------|
| 2FT | 22.2" | 3.3" | 3.6" |
| 3FT | 35.0" | 3.3" | 3.6" |
| 4FT | 47.3" | 3.3" | 3.6" |
| 8FT | 94.2" | 3.3" | 3.6" |

Warranty

- _____ 5-year limited warranty in commercial use from the date of purchase
- _____ Operating temperature range between -20°C and +50°C

Applications

Offices, Hallways, Multipurpose Rooms, Warehouse etc.

Ordering Information Example: DL-EC/2F/20W/40/120-347V/D

| Family Name | Fixture Type | Size | Wattage | CCT | Voltage | Dimmable | Option |
|---------------|---------------------|--|---|--------------------------|----------|--------------|---|
| DL (Deltalum) | EC (Eco-Commercial) | 2F (2'), 3F (3') 4F (4') 8F (8') | 20W (2'), 25W (3') 35W, 45W (4') 65W (8') | 40 (4000K) 50 (5000K) | 120-347V | D (Dimmable) | RM (Row MTG Plate) MS (Microwave Sensor) TL-2052 PIR Sensor |

Product Specification

| Ordering Code | DLC | Model Number | Wattage (W) | Input Voltage (V) | Hour Rating(L70) | Beam Angle | Initial Delivered Lumens (lumen) | CCT (K) | CRI | Damp Location | M.O.L (inch) |
|---------------|-----|----------------------------|--|-------------------|------------------|------------|----------------------------------|---------|-----|---------------|--------------|
| 3663208 | Y | DL-EC/2F/20W/40/120-347V/D | 20 | 120-347V | 100,000 | 120° | 2,600 | 4000K | >80 | Yes | 22.2" |
| 3664206 | Y | DL-EC/3F/25W/40/120-347V/D | 25 | 120-347V | 100,000 | 120° | 3,250 | 4000K | >80 | Yes | 35.0" |
| 3665225 | Y | DL-EC/4F/35W/40/120-347V/D | 35 | 120-347V | 100,000 | 120° | 4,550 | 4000K | >80 | Yes | 47.3" |
| 3665226 | Y | DL-EC/4F/35W/50/120-347V/D | 35 | 120-347V | 100,000 | 120° | 4,585 | 5000K | >80 | Yes | 47.3" |
| 3665227 | Y | DL-EC/4F/45W/40/120-347V/D | 45 | 120-347V | 100,000 | 120° | 5,850 | 4000K | >80 | Yes | 47.3" |
| 3665229 | Y | DL-EC/8F/65W/40/120-347V/D | 65 | 120-347V | 100,000 | 120° | 8,450 | 4000K | >80 | Yes | 94.2" |
| 3665230 | Y | DL-EC/8F/65W/50/120-347V/D | 65 | 120-347V | 100,000 | 120° | 8,515 | 5000K | >80 | Yes | 94.2" |
| 3660055 | | DL-EC/2F/LENS | 2ft, replacement white PMMA lens | | | | | | | | |
| 3660056 | | DL-EC/3F/LENS | 3ft, replacement white PMMA lens | | | | | | | | |
| 3660057 | | DL-EC/4F/LENS | 4ft, replacement white PMMA lens | | | | | | | | |
| 3660058 | | DL-EC/8F/LENS | 8ft, replacement white PMMA lens | | | | | | | | |
| Option | | DL-EC/RM | Row mounting plate | | | | | | | | |
| | | MS | Microwave sensor factory installed (consult for lead time) | | | | | | | | |
| | | TL-2052 | PIR motion sensor (sold separately) | | | | | | | | |

LED FIXTURE

DL Series

LED Connect Strip

DL-CS

Linear 2' or 4' LED strip light



Features & Benefits

- CUL listed, DLC
- Familiar surface strip design in 2' and 4' length, low profile
- Multiple lumen options to suite most applications
- Integral-LED luminaire (no lamps required), LED Driver PF>0.9
- Strips are linkable either with connector supplied or by optional connecting cables
- 15 pcs @ 40W, 25 pcs @ 20W or 30 pcs @ 10W

- L70 @ 50,000 HRS
- White metal housing construction, PC Opal Lens
- 120-347V auto-sensing driver, 0-10V dimmable
- Damp location rated

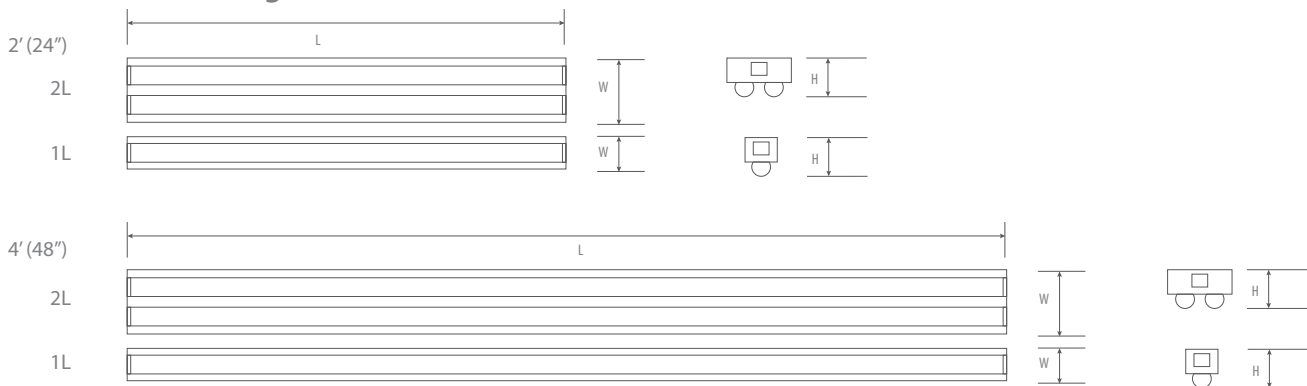
Warranty

- 5-year limited warranty in commercial use from the date of purchase
- Operating temperature range between -20°C and +40°C

Applications

Cove Lighting, Utility Rooms, Corridors, Work Shops, Garage, Stock Rooms etc.

Dimensional drawing



| | L | W | H |
|-------------|-----|-------|-------|
| 2F1L | 24" | 1.77" | 2.36" |
| 2F2L | 24" | 3.54" | 2.36" |
| 4F1L | 48" | 1.77" | 2.36" |
| 4F2L | 48" | 3.54" | 2.36" |



LED Connect Strip

DL-CS

Ordering Information Example: DL-CS/2F1L/10W/40/D

| Family Name | Fixture Type | Size | Wattage | CCT | Input Voltage | Dimmable | Options |
|---------------|--------------------|-------------------|---------|--|---------------|--------------------|-----------------------------------|
| DL (Deltalum) | CS (Connect Strip) | 2F1L (2'; 1 lamp) | 10W | 30 (3000K) 40 (4000K) 50 (5000K) | 120-347V | D (0-10V dimmable) | Connecting Cable order separately |
| | | 4F1L (4'; 1 lamp) | 20W | | | | |
| | | 2F2L (2'; 2 lamp) | 40W | | | | |
| | | 4F2L (4'; 2 lamp) | 40W | | | | |

Product Specification

| Ordering Code | DLC | Model Number | Wattage (W) | Input Voltage (V) | Lamp QTY. | Hour Rating | Beam Angle | Initial Delivered Lumens (lumen) | CCT (K) | CRI | Damp Location | M.O.L (inch) | Case QTY. |
|---------------|-----|------------------------------|-----------------------------------|-------------------|-----------|-------------|------------|----------------------------------|---------|-----|---------------|--------------|-----------|
| 3662218 | Yes | DL-CS/2F1L/10W/30/120-347V/D | 10 | 120-347V | 1 | 50,000 | 120° | 1,050 | 3000K | >80 | Yes | 24 | 6 |
| 3662219 | Yes | DL-CS/2F1L/10W/40/120-347V/D | 10 | 120-347V | 1 | 50,000 | 120° | 1,050 | 4000K | >80 | Yes | 24 | 6 |
| 3662220 | Yes | DL-CS/2F1L/10W/50/120-347V/D | 10 | 120-347V | 1 | 50,000 | 120° | 1,050 | 5000K | >80 | Yes | 24 | 6 |
| 3663202 | Yes | DL-CS/4F1L/20W/30/120-347V/D | 20 | 120-347V | 1 | 50,000 | 120° | 2,100 | 3000K | >80 | Yes | 48 | 6 |
| 3663203 | Yes | DL-CS/4F1L/20W/40/120-347V/D | 20 | 120-347V | 1 | 50,000 | 120° | 2,100 | 4000K | >80 | Yes | 48 | 6 |
| 3663204 | Yes | DL-CS/4F1L/20W/50/120-347V/D | 20 | 120-347V | 1 | 50,000 | 120° | 2,100 | 5000K | >80 | Yes | 48 | 6 |
| 3663205 | Yes | DL-CS/2F2L/20W/30/120-347V/D | 20 | 120-347V | 2 | 50,000 | 120° | 2,100 | 3000K | >80 | Yes | 24 | 6 |
| 3663206 | Yes | DL-CS/2F2L/20W/40/120-347V/D | 20 | 120-347V | 2 | 50,000 | 120° | 2,100 | 4000K | >80 | Yes | 24 | 6 |
| 3663207 | Yes | DL-CS/2F2L/20W/50/120-347V/D | 20 | 120-347V | 2 | 50,000 | 120° | 2,100 | 5000K | >80 | Yes | 24 | 6 |
| 3665222 | Yes | DL-CS/4F2L/40W/30/120-347V/D | 40 | 120-347V | 2 | 50,000 | 120° | 4,200 | 3000K | >80 | Yes | 48 | 6 |
| 3665223 | Yes | DL-CS/4F2L/40W/40/120-347V/D | 40 | 120-347V | 2 | 50,000 | 120° | 4,200 | 4000K | >80 | Yes | 48 | 6 |
| 3665224 | Yes | DL-CS/4F2L/40W/50/120-347V/D | 40 | 120-347V | 2 | 50,000 | 120° | 4,200 | 5000K | >80 | Yes | 48 | 6 |
| 3660011 | | DL-CS/1F/CC/WH | 1' CONNECTING 5 WIRE CABLE, WHITE | | | | | | | | | | |
| 3660012 | | DL-CS/2F/CC/WH | 2' CONNECTING 5 WIRE CABLE, WHITE | | | | | | | | | | |
| 3660013 | | DL-CS/4F/CC/WH | 4' CONNECTING 5 WIRE CABLE, WHITE | | | | | | | | | | |

Connector Images



Caution:

Electrical shock hazard possible when using interconnecting systems (cables or supplied 5 pin connector). As with all electrical devices, power must be off (electrical breaker) before removing and installing 5 pin port cover and connecting next linkable "Connect Strip" or "Connecting Cable". Refer to installation manual when installing.

LED FIXTURE

DL Series

LED Connect Strip

DL-CS/MS

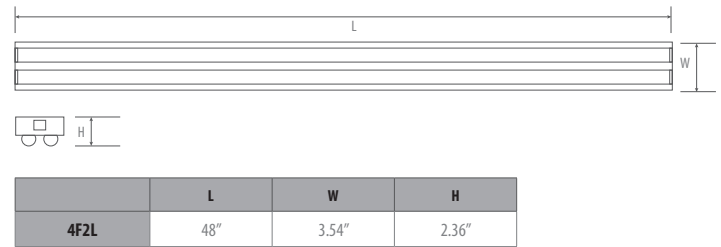
Linear 4' LED strip light, built-in Microwave Sensor



Features & Benefits

- CUL listed
- Familiar surface strip design in 4' length, low profile
- Integral-LED luminaire (no lamps required), LED Driver PF>0.9
- Strips are linkable either with connector supplied or by optional connecting cables
- 15 pcs maximum @ 40W per fixture
- L70 @ 50,000 HRS
- White metal housing construction, PC Opal Lens
- Microwave sensor for on-off applications
- Damp location rated

Dimensional Drawing



Warranty

- 5-year limited warranty in commercial use from the date of purchase
- Operating temperature range between -20°C and +40°C

Applications

Utility Rooms, Corridors, Work Shops, Garage, Stock Rooms etc.

Ordering Information Example: DL-CS/4F2L/40W/40/MS

| Family Name | Fixture Type | Size | Wattage | CCT | Microwave Sensor | Options |
|---------------|--------------------|------------------|---------|------------|------------------------------|-----------------------------------|
| DL (Deltalum) | CS (Connect Strip) | 4F2L (4; 2 lamp) | 40W | 40 (4000K) | MS (Microwave Sensor on-off) | Connecting Cable order separately |

Product Specification

| Model Number | Wattage (W) | Input Voltage (V) | Hour Rating | Beam Angle | Initial Delivered Lumens (lumen) | CCT (K) | CRI | Damp Location | M.O.L (inch) | Case QTY. |
|----------------------|----------------------------|-------------------|-------------|------------|----------------------------------|---------|-----|---------------|--------------|-----------|
| DL-CS/4F2L/40W/40/MS | 40 | 120-277V | 50,000 | 120° | 4,200 | 4000K | >80 | Yes | 48 | 6 |
| DL-CS/1F/CC3/WH | 1' CONNECTING CABLE, WHITE | | | | | | | | | |
| DL-CS/2F/CC3/WH | 2' CONNECTING CABLE, WHITE | | | | | | | | | |
| DL-CS/4F/CC3/WH | 4' CONNECTING CABLE, WHITE | | | | | | | | | |

Connector Images



Caution:

Electrical shock hazard possible when using interconnecting systems (cables or supplied 5 pin connector). As with all electrical devices, power must be off (electrical breaker) before removing and installing 5 pin port cover and connecting next linkable "Connect Strip" or "Connecting Cable". Refer to installation manual when installing.

Microwave Sensor Image

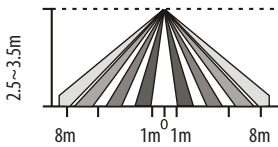




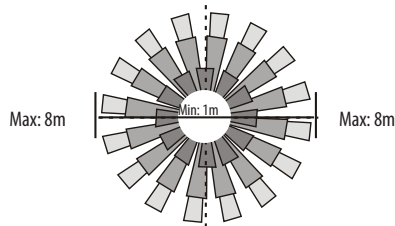
LED Connect Strip

DL-CS/MS

Sensor Information



Height of installation 2.5~3.5m



Detection range Min: 1m, Max: 8m
Detection angle 360°

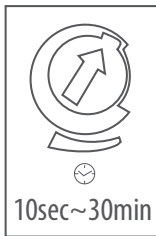
UTILIZING FIELD AND INTRODUCTION

The sensor is a moving object sensor that can detect range of 360° and its working frequency is 5.8GHz. The advantage of this product is stable working state (stable working temperature: -15°C~+70°C), The sensor adopts a microwave sensor (high-frequency output < 0.2mW), so that it is safe and performs better than infrared sensor.

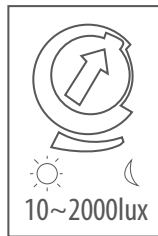
If you want the sensor to detect small zone, you can just adjust the sense knob SENS to the range that you need (You may need to adjust sometimes until you think it is suitable). If you want that the light can be turned on when the circumstance luminance is under some value, you can just adjust the knob LUX (The working luminance knob) to select the luminance value (You may need to adjust some times until you think it is suitable).



Detection Range



Time



Light Control

Detection range setting (sensitivity)

Detection range is the term used to describe the radii of the more or less circular detection zone produced on the ground after mounting the sensor light at a height of 2.5m, turn the detection control fully anticlockwise to select minimum detection range (approx. 1m radii), and fully clockwise to select maximum detection range (approx. 8m radii).

Note: the above detection range is gained if the detected person is between 1.6m-1.7m tall with middle figure and moves at a speed of 1.0-1.5m/sec. If person's stature, figure and moving speed change, the detection distance will also change.

In different cases, the sensitivity of the lights has certain deviation.

ATTENTION: When use this product, please adjust the sensitivity to an appropriate position you need, please do not adjust the sensitivity to maximum, in case the product works abnormally because of wrong motion detection, including blowing leaves & curtains, small animals, or even power grid & electrical equipment. All the above factors can lead to abnormal work. When the product does not work normally, please try to lower the sensitivity appropriately, and then test it.

Time setting

The light can be set to stay ON for any period of time between approx. 10sec (dial turned fully anti-clockwise) and a maximum of 30min (dial turned fully clockwise). Any movement detected during the "on" time will reset the timer. The LED indicator will flash when adjusting the time setting dial. The number of flashes means the following:

1 flash = 10sec, 2 flashes = 1 min, 3 flashes = 2 min, 4 flashes = 5 min, 5 flashes = 8 min, 6 flashes = 10 min, 7 flashes = 15 min, 8 flashes = 20 min, 9 flashes = 25 min, 10 flashes = 30 min.

Note: after the light switches OFF, it takes approx. 4sec before it is able to start detecting movement again. The light will only switch on in response to movement once this period has elapsed.

Light-control setting

The chosen light response threshold can be infinitely from approx. 10-2000lux. Turn it fully anti-clockwise to select dusk to-dawn operation at about 10lux. Turn it fully clockwise to select daylight operation at about 2000lux. The knob must be turned fully clockwise when adjusting the detection zone and performing the walk test in daylight.

Note: please don't adjust the three functional buttons to excess. That is because the three functional buttons were connected to the components directly, there is a small stopper in each of the three components, when you adjust the buttons from start to end, the excessive turn will damage the stopper, and lead to the 360° non-stop turn around. The adjust range limit is 270°, please do pay attention to this.

LED FIXTURE

DL Series

LED Linear Strip

DL-LS

Dimming, motion and timing controls, 24" and 48" LED linear strip



Features & Benefits

cETL listed, DLC

24", 48" length

No external dimming switch required

Built-in Microwave Motion Sensor, easy DIP switch configuration

Driver by Philips

L70 @ 50,000 Hrs

120-277V/ 347V available

High CRI (80+)

Wall mounting optional

Warranty

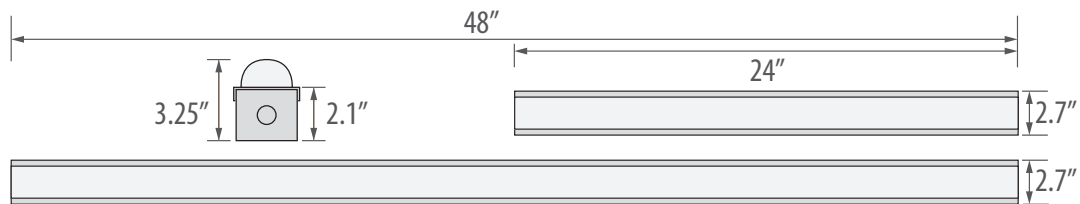
5-year limited warranty for fixture and sensor in commercial use from the date of purchase

Operating temperature range between -25°C and +40°C

Applications

Retails, Warehouses, Schools, Underground Parking, Factories, Workshops, Hospitals, Office Buildings and etc

Dimensional drawing



Ordering Information

Example: DL-LS/2F/20W/40/UNV/D/S

| Family Name | Fixture Type | Length | Wattage | CCT | Voltage (V) | Dimmable | Options |
|---------------|-------------------|--------------------------------------|-------------------|--------------------------|------------------------------|--------------|-----------------------------|
| DL (Deltalum) | LS (Linear Strip) | 2F (2 feet, 24") 4F (4 feet, 48") | 60W 40W 20W | 50 (5000K) 40 (4000K) | UNV (120-277V) 347 (347V) | D (Dimmable) | S (Microwave Motion Sensor) |



LED Linear Strip

DL-LS

Product Specification

| Ordering Code | DLC | Model Number | Description | Wattage (W) | Input Voltage (V) | Hour Rating | Initial Delivered Lumens (lumen) | CCT (K) | CRI | M.O.L. (inch) | Case QTY. |
|---------------|-----|-------------------------|--|-------------|-------------------|-------------|----------------------------------|---------|-----|---------------|-----------|
| 3663111 | Y | DL-LS/2F/20W/40/UNV/D/S | 2ft 20W 40K 120-277V Dimmable, with Sensor | 20 | 120-277 | 50,000 | 2300 | 4000 | >80 | 24 | 10 |
| 3663112 | Y | DL-LS/2F/20W/50/UNV/D/S | 2ft 20W 50K 120-277V Dimmable, with Sensor | 20 | 120-277 | 50,000 | 2300 | 5000 | >80 | 24 | 10 |
| 3665111 | Y | DL-LS/4F/40W/40/UNV/D/S | 4ft 40W 40K 120-277V Dimmable, with Sensor | 40 | 120-277 | 50,000 | 4700 | 4000 | >80 | 48 | 10 |
| 3665112 | Y | DL-LS/4F/40W/50/UNV/D/S | 4ft 40W 50K 120-277V Dimmable, with Sensor | 40 | 120-277 | 50,000 | 4700 | 5000 | >80 | 48 | 10 |
| 3666110 | Y | DL-LS/4F/60W/40/UNV/D/S | 4ft 60W 40K 120-277V Dimmable, with Sensor | 60 | 120-277 | 50,000 | 7000 | 4000 | >80 | 48 | 10 |
| 3666111 | Y | DL-LS/4F/60W/50/UNV/D/S | 4ft 60W 50K 120-277V Dimmable, with Sensor | 60 | 120-277 | 50,000 | 7000 | 5000 | >80 | 48 | 10 |
| 3665204 | Y | DL-LS/4F/40W/40/347/D/S | 4ft 40W 40K 347V Dimmable, with Sensor | 40 | 347 | 50,000 | 4700 | 4000 | >80 | 48 | 10 |
| 3665205 | Y | DL-LS/4F/40W/50/347/D/S | 4ft 40W 50K 347V Dimmable, with Sensor | 40 | 347 | 50,000 | 4700 | 5000 | >80 | 48 | 10 |
| 3666207 | Y | DL-LS/4F/60W/40/347/D/S | 4ft 60W 40K 347V Dimmable, with Sensor | 60 | 347 | 50,000 | 7000 | 4000 | >80 | 48 | 10 |
| 3666208 | Y | DL-LS/4F/60W/50/347/D/S | 4ft 60W 50K 347V Dimmable, with Sensor | 60 | 347 | 50,000 | 7000 | 5000 | >80 | 48 | 10 |
| 3666010 | | DL-LS/Accessory/SUS | Accessory Suspension Set - Hook&Chain | | | | | | | | |

Sensor Setting For 120-277V Strip

| | Detection Area | | | Hold Time | | | Stand-by Period | | | Daylight Sensor | | | Stand-by DIM Level | | | |
|-----|----------------|---|------|-----------|---|---|-----------------|---|---|-----------------|---------|---|--------------------|---|---------|-----|
| | 1 | 2 | | 3 | 4 | 5 | 6 | 7 | 8 | 1 | 2 | 3 | 4 | 5 | 6 | |
| ON | ● | ● | 100% | ● | ● | ● | 5S | ● | ● | ● | 0S | ○ | ○ | ● | ● | 50% |
| ● | ● | ○ | 75% | ○ | ● | ● | 30S | ○ | ● | ● | 5S | ○ | ○ | ○ | ● | 30% |
| ■ | ○ | ● | 50% | ● | ○ | ● | 90S | ● | ○ | ● | 10min | ○ | ● | ● | ○ | 20% |
| □ | ○ | ○ | 10% | ○ | ○ | ● | 3min | ○ | ○ | ● | 30min | ○ | ○ | ○ | ○ | 10% |
| ○ | | | | ● | ● | ○ | 20min | ● | ● | ○ | 20min | | | | | |
| ○ | | | | ○ | ○ | ○ | No Hold | ○ | ● | ○ | 1h | | | | | |
| OFF | | | | | | | | ○ | ○ | ○ | Disable | | | | | |
| | | | | | | | | | | | | ○ | ○ | ○ | Disable | |

Default Factory Presetting

Detection Area: 100%, Hold Time: 3min, Stand-by Period: Disable, Daylight Sensor: Disable, Stand-by DIM Level: 20%

Sensor Setting For 347V Strip

| | Detection Area | | | Hold Time | | | Daylight Sensor | | | Stand-by Period | | | Stand-by DIM Level | | | | |
|-----|----------------|---|------|-----------|---|---|-----------------|---|---|-----------------|---|---|--------------------|---------|---|---|-----|
| | 1 | 2 | | 1 | 2 | 3 | 1 | 2 | | 1 | 2 | 3 | | 1 | 2 | | |
| ON | ● | ● | 100% | ● | ● | ● | 5S | ● | ● | Disable | ● | ● | ● | 0S | ● | ● | 10% |
| ● | ● | ○ | 75% | ● | ● | ○ | 30S | ● | ○ | 50Lux | ● | ● | ○ | 10S | ● | ○ | 20% |
| ■ | ○ | ● | 50% | ● | ○ | ● | 1 min | ○ | ● | 10Lux | ● | ○ | ● | 1 min | ○ | ● | 30% |
| □ | ○ | ○ | 10% | ● | ○ | ○ | 5min | ○ | ○ | 2Lux | ● | ○ | ○ | 5min | ○ | ○ | 50% |
| ○ | | | | ○ | ● | ● | 10min | | | | ○ | ● | ● | 10min | | | |
| ○ | | | | ○ | ● | ○ | 20min | | | | ○ | ● | ○ | 30min | | | |
| OFF | | | | ○ | ○ | ○ | 30min | | | | ○ | ○ | ● | 1 h | | | |
| | | | | | | | | | | | ○ | ○ | ○ | Disable | | | |

Default Factory Presetting

Detection Area: 100%, Hold Time: 5min, Stand-by Period: Disable, Daylight Sensor: Disable, Stand-by DIM Level: 20%

Detection Area: Detection area can be reduced by selecting the combination on the DIP switches to fit precisely each application.

Hold Time: Refers to the time period the lamp remains at 100% illumination after no motion detected.

Stand-by DIM Level: The low light level you would like to have after the hold time in the long absence of people.

Stand-by Period: Refers to the time period the lamp remains at a low light level before it completely switches off in the long absence of people. When set to Disable mode, the low light is maintained until motion is detected.

Daylight Sensor: The sensor can be set to only allow the lamp to illuminate below a defined ambient brightness threshold. When set to Disable mode, the daylight sensor will switch on the lamp when motion is detected regardless of ambient light level. 50lux, 30lux: twilight operation, 10lux, 5lux: darkness operation only.

Note that daylight sensor is active only when lamp totally switches off.

By selecting the combination on the DIP switch, sensor data can be precisely set for each specific application.

LED FIXTURE

DL Series



LED Wrap Around DL-WA1, DL-WA2, DL-WA3

DL-WA1 (LED 4' Wrap Light)
DL-WA2 (LED 2' / 4' Hinged Wrap Light)
DL-WA3 (LED 4' Eco-Wrap Light)

Features & Benefits

CUL listed, DLC*

0-10V dimmable*

High CRI (80+)

Wall or ceiling mounted

L70 @*

PMMA Lens

Damp location rated

Shallow profile, excellent for low ceilings

Warranty

5-year limited warranty in commercial use from the date of purchase

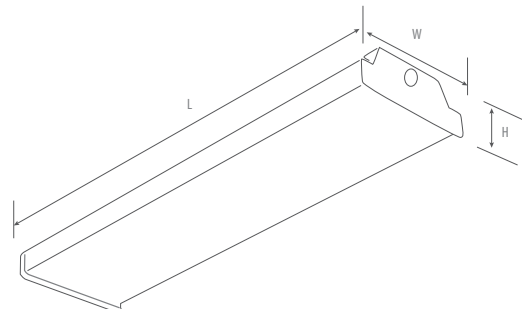
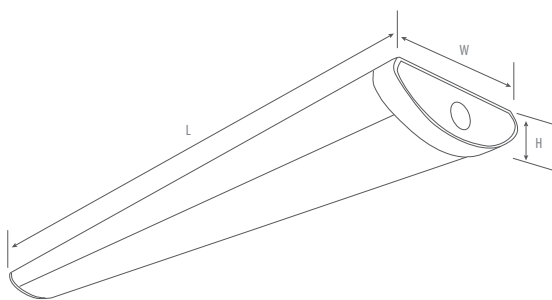
Operating temperature range between -20°C and +40°C

* For applicable models, see product specification below

Applications

Corridors, Carports, storage rooms, retail, commercial, etc.

Dimensional drawing



| | L | W | H |
|-----------|-------|-------|------|
| DL-WA1/4F | 48.5" | 5.56" | 2" |
| DL-WA2/2F | 24.5" | 7.09" | 2.8" |
| DL-WA2/4F | 48" | 7.09" | 2.8" |
| DL-WA3/4F | 48.6" | 6.5" | 2.5" |



LED Wrap Around

DL-WA1, DL-WA2, DL-WA3

Ordering Information Example: DL-WA1/4F/40W/30

| Family Name | Fixture Type | Size | Wattage | CCT | Dimmable | Options |
|---------------------|---------------------|---------|------------|----------------------|----------------------|---------|
| DL (DeltaLum) | WA1 (Wrap Around 1) | 4F (4') | 40W | 30 (3000K) | Blank (non-dimmable) | |
| | | | | 40 (4000K) | | |
| | | | | 50 (5000K) | | |
| | WA2 (Wrap Around 2) | 2F (2') | 25W | 40 (4000K) | D (Dimmable) | |
| | | 4F (4') | 40W | | | |
| | | 4F (4') | 42W | | | |
| WA3 (Wrap Around 3) | 4F (4') | 42W | 35 (3500K) | Blank (non-dimmable) | | |
| | | | 40 (4000K) | | | |
| | | | 50 (5000K) | | | |

Product Specification

| Ordering Code | DLC | Model Number | Wattage (W) | Input Voltage (V) | Hour Rating | Beam Angle | Initial Delivered Lumens (lumen) | CCT (K) | CRI | Damp Location | M.O.L (inch) | Case QTY. |
|---------------|-----|------------------------|---|-------------------|-------------|------------|----------------------------------|---------|-----|---------------|--------------|-----------|
| 3665129 | - | DL-WA1/4F/40W/30 | 40 | 120-277V | 50,000 | 120° | 4,200 | 3000K | >80 | Yes | 48 | 4 |
| 3665124 | Y | DL-WA1/4F/40W/40 | 40 | 120-277V | 50,000 | 120° | 4,200 | 4000K | >80 | Yes | 48 | 4 |
| 3665125 | Y | DL-WA1/4F/40W/50 | 40 | 120-277V | 50,000 | 120° | 4,200 | 5000K | >80 | Yes | 48 | 4 |
| 3664124 | Y | DL-WA2/2F/25W/40/UNV/D | 25 | 120-277V | 100,000 | 120° | 3250 | 4000K | >80 | Yes | 24.5 | 4 |
| 3665135 | Y | DL-WA2/4F/40W/40/UNV/D | 40 | 120-277V | 100,000 | 120° | 5200 | 4000K | >80 | Yes | 48 | 4 |
| 3665136 | Y | DL-WA3/4F/42W/35/UNV | 42 | 120-277V | 100,000 | 120° | 5460 | 3500K | >80 | Yes | 48 | 4 |
| 3665137 | Y | DL-WA3/4F/42W/40/UNV | 42 | 120-277V | 100,000 | 120° | 5460 | 4000K | >80 | Yes | 48 | 4 |
| 3665138 | Y | DL-WA3/4F/42W/50/UNV | 42 | 120-277V | 100,000 | 120° | 5460 | 5000K | >80 | Yes | 48 | 4 |
| 3660052 | | DL-WA2/2F/LENS | DeltaLum Hinged-Wrap Light 2ft. Replacement PMMA Lens | | | | | | | | | |
| 3660053 | | DL-WA2/4F/LENS | DeltaLum Hinged-Wrap Light 4ft. Replacement PMMA Lens | | | | | | | | | |
| 3660054 | | DL-WA3/4F/LENS | DeltaLum Eco-Wrap Light 4ft. Replacement PMMA Lens | | | | | | | | | |

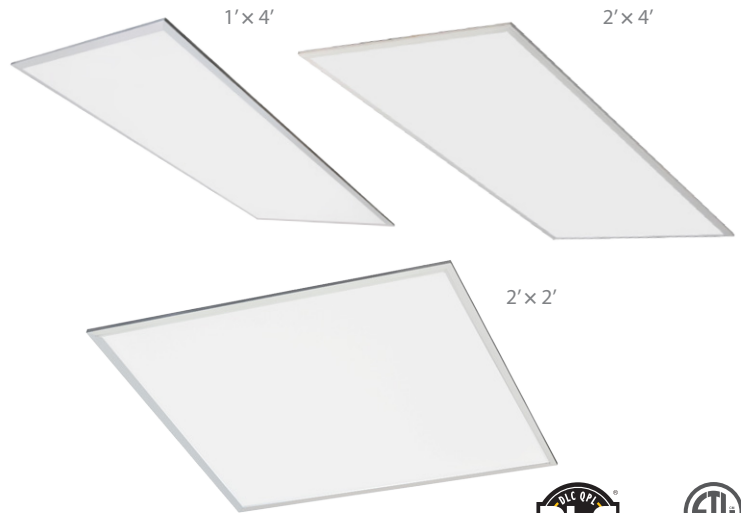
LED FIXTURE

RIGID Series

LED Flat Panel

RGD-FP

Ultra Slim LED Flat Panel Luminaire



Features & Benefits

CETL listed, DLC*

CRI >80

Ultra slim design, no UV & IR emission

3 Convenient sizes

100-347V LED Driver, PF >0.95

L80 @ 50,000 Hrs

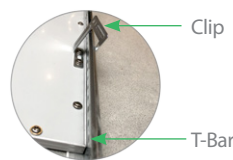
0-10V Dimmable

Aluminum frame, PMMA Opal lens

120° Beam spread

Excellent illuminating surface uniformity

IP40 / IK05



Clip

T-Bar

For recessed grid ceiling installations, our 4 mounting clips may be used to securely mount the RGD-FP luminaire to the T-Bar frame or as to act as suspension points.

Warranty

5-year limited warranty in commercial use from the date of purchase

Operating temperature range between -20°C and +60°C

* DLC under qualifying process Q2, 2018

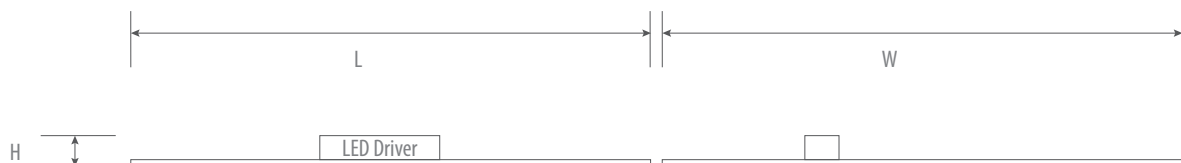
Applications

Commercial/ Industrial/ Retail location

For use in Offices, Stores, Bank, Airport, Show-room, Restaurant etc.

Installation suspension/ surface mounted/ recessed drywall & T-Bar applicable

Dimensional drawing



| | L | W | H |
|-------|---------|---------|----|
| 2'x2' | 23 3/4" | 23 3/4" | 2" |
| 1'x4' | 11 3/4" | 47 3/4" | 2" |
| 2'x4' | 23 3/4" | 47 3/4" | 2" |



LED Flat Panel

RGD-FP

Ordering Information Example: RGD-FP/22/40W/35/100-347/D

| Family Name | Fixture Type | Size | Wattage | CCT (Kelvin) | Voltage | Dimmable | Options |
|-------------|-----------------|------------|------------|--|-----------------------|--------------|---------|
| RGD (Rigid) | FP (Flat Panel) | 22 (2'x2') | 40W | 35 (3500K) 40 (4000K) 50 (5000K) | 100-347 (100-347V) | D (Dimmable) | |
| | | 14 (1'x4') | 45W | | | | |
| | | 24 (2'x4') | 45W 65W | | | | |

Product Specification

| Ordering Code | DLC | Model Number | Wattage (W) | Input Voltage (V) | Hour Rating | Initial Delivered Lumens (lumen) | CCT (K) | CRI | Dimension (inch) | Case QTY. |
|---------------|-----|----------------------------|---|-------------------|-------------|----------------------------------|---------|-----|------------------|-----------|
| 3665210 | Yes | RGD-FP/22/40W/35/100-347/D | 40 | 100-347V | 50,000 | 4,000 | 35 | >80 | 24X24 | 2 |
| 3665211 | Yes | RGD-FP/22/40W/40/100-347/D | 40 | 100-347V | 50,000 | 4,000 | 40 | >80 | 24X24 | 2 |
| 3665216 | Yes | RGD-FP/22/40W/50/100-347/D | 40 | 100-347V | 50,000 | 4,000 | 50 | >80 | 24X24 | 2 |
| 3665212 | Yes | RGD-FP/14/45W/35/100-347/D | 45 | 100-347V | 50,000 | 4,500 | 35 | >80 | 12X48 | 2 |
| 3665213 | Yes | RGD-FP/14/45W/40/100-347/D | 45 | 100-347V | 50,000 | 4,500 | 40 | >80 | 12X48 | 2 |
| 3665217 | Yes | RGD-FP/14/45W/50/100-347/D | 45 | 100-347V | 50,000 | 4,500 | 50 | >80 | 12X48 | 2 |
| 3665214 | Yes | RGD-FP/24/45W/35/100-347/D | 45 | 100-347V | 50,000 | 4,500 | 35 | >80 | 24X48 | 1 |
| 3665215 | Yes | RGD-FP/24/45W/40/100-347/D | 45 | 100-347V | 50,000 | 4,500 | 40 | >80 | 24X48 | 1 |
| 3665218 | Yes | RGD-FP/24/45W/50/100-347/D | 45 | 100-347V | 50,000 | 4,500 | 50 | >80 | 24X48 | 1 |
| 3666222 | Yes | RGD-FP/24/65W/35/100-347/D | 65 | 100-347V | 50,000 | 6,500 | 35 | >80 | 24X48 | 1 |
| 3666223 | Yes | RGD-FP/24/65W/40/100-347/D | 65 | 100-347V | 50,000 | 6,500 | 40 | >80 | 24X48 | 1 |
| 3666224 | Yes | RGD-FP/24/65W/50/100-347/D | 65 | 100-347V | 50,000 | 6,500 | 50 | >80 | 24X48 | 1 |
| 3660019 | | RGD-FP/22/FRM/WH | RIGID Flat Panel Surface Mount Frame 2'x2', White | | | | | | | 8 |
| 3660020 | | RGD-FP/14/FRM/WH | RIGID Flat Panel Surface Mount Frame 1'x4', White | | | | | | | 8 |
| 3660021 | | RGD-FP/24/FRM/WH | RIGID Flat Panel Surface Mount Frame 2'x4', White | | | | | | | 8 |
| 3660023 | | RGD-FP/SUSP/ACC | RIGID Flat Panel Air Craft Cable Suspension | | | | | | | 50 |



LED FIXTURE

RIGID Series

LED Centre Basket

RGD-CB

Recessed commercial grade lay-in luminaire, clean contemporary low glare design, incorporating switchable CCT.



Features & Benefits

110-347V LED auto-sensing driver

Switchable CCT (30K/ 35K/ 40K)*

PMMA lens offers clean look low glare

Range of sizes (2'x2', 2'x4' available)

High quality metal construction in white powder coat finish

* 50K for specific applications available

**DLC under qualifying process Q2, 2018

DLC approved**

L70 @ 50,000 Hrs

0-10V Dimmable

High CRI (80+)

Warranty

5-year limited warranty in commercial use from the date of purchase

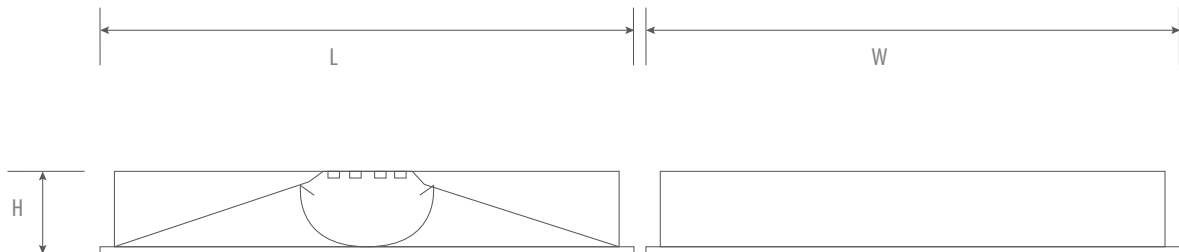
Operating temperature range between -20°C and +40°C

Applications

Commercial/ Industrial/ Retail location

For use in Offices, Stores, Schools, Medical building where ever quality light is required.

Dimensional drawing



| | L | W | H |
|-------|---------|---------|--------|
| 2'x2' | 23 3/4" | 23 3/4" | 2 3/4" |
| 2'x4' | 47 3/4" | 23 3/4" | 2 3/4" |



LED Centre Basket

RGD-CB

Ordering Information Example: RGD-CB/22/24W/MULTI-K/110-347V

| Family Name | Fixture Type | Size | Wattage | CCT (Kelvin) | Voltage | Options |
|-------------|--------------------|------------|------------|---|----------|---------|
| RGD (Rigid) | CB (Centre Basket) | 22 (2'x2') | 24W 30W | MULTI-K (Multiple CCT, 30K/35K/40K Switchable) 50 (50K) | 110-347V | |
| | | 24 (2'x4') | 37W 50W | | | |

Product Specification

| Ordering Code | DLC | Model Number | Wattage (W) | Input Voltage (V) | Hour Rating | Initial Lumens (lumen) | CCT (K) | CRI | Dimension (inch) | Case QTY. |
|---------------|-----|--------------------------------|-------------|-------------------|-------------|------------------------|-------------|-----|------------------|-----------|
| 3664200 | Yes | RGD-CB/22/24W/MULTI-K/110-347V | 24 | 110-347V | 50,000 | 3,100 | 30K,35K,40K | >80 | 24X24 | 1 |
| 3664201 | Yes | RGD-CB/22/30W/MULTI-K/110-347V | 30 | 110-347V | 50,000 | 3,700 | 30K,35K,40K | >80 | 24X24 | 1 |
| 3665219 | Yes | RGD-CB/24/37W/MULTI-K/110-347V | 37 | 110-347V | 50,000 | 4,500 | 30K,35K,40K | >80 | 24X48 | 1 |
| 3665220 | Yes | RGD-CB/24/50W/MULTI-K/110-347V | 50 | 110-347V | 50,000 | 6,000 | 30K,35K,40K | >80 | 24X48 | 1 |
| 3664202 | Yes | RGD-CB/22/30W/50/110-347V | 30 | 110-347V | 50,000 | 3,700 | 50K | >80 | 24X24 | 1 |
| 3665221 | Yes | RGD-CB/24/50W/50/110-347V | 50 | 110-347V | 50,000 | 6,000 | 50K | >80 | 24X48 | 1 |

**LED FIXTURE**TRK Series

LED TRACK HEAD TRK-PIN

Unique design with it's sleek appearance. Over 50% energy saving compare to ceramic metal halide thanks to the high efficacy up to 115lm per watt.
The wide range of accessories and interchangeable lens affords it even greater choice and flexibility.

Features & Benefits

Anti-glare, over 100 LPW

Color finish (White, Silver, Black)

TRIAC/ELV Dimmable: Smooth dimming range from 100% to 10%

Die casting aluminum housing

Precise light distribution

Macadam 3 SDCM

Ultraviolet (UV) + Infrared (IR) free light

Passive cooling system without fans

Warranty

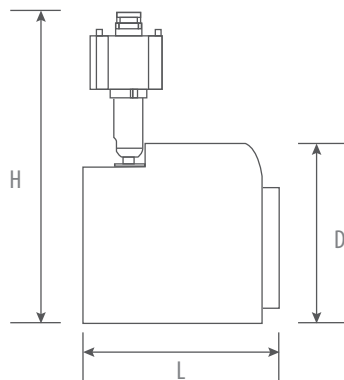
5-year limited warranty in commercial use from the date of purchase

Operating temperature range between -20°C and +40°C

Applications

Residential, Retail, Art-gallery, Museum, Automotive and Parking, Education, Government, Healthcare, Hospitality, Offices and Banks, etc.

Dimensional drawing



| | D | L | H |
|------------------------|--------|--------|--------|
| S (Size Small) | 2 3/8" | 3 3/4" | 5 5/8" |
| M (Size Medium) | 4" | 4 1/4" | 6 3/4" |
| L (Size Large) | 4 3/8" | 5 1/2" | 7 1/2" |



LED TRACK HEAD

TRK-PIN

Ordering Information Example: TRK-PIN/L/34W/120/30K/24/D/WH/H

| Family Name | Fixture Type | Size | Wattage | Voltage (V) | CCT | Beam Angle | Dimmable | Color Finish | MTD Adapter | Lumen |
|-------------|--------------|------------|------------|-------------|-------------|----------------------------------|--------------|---|-------------|--------------|
| TRK (Track) | PIN (Pinch) | S (Small) | 10W | 120 (120V) | 30K (3000K) | 24 (24°) 40 (40°) 60 (60°) | D (Dimmable) | WH (White) SL (Silver) BK (Black) | H (H Type) | 820 |
| | | M (Medium) | 14W 22W | | | | | | | 1340 2030 |
| | | L (Large) | 34W | | | | | | | 3200 |

Product Specification

| DLC | Model Number | Wattage (W) | Input Voltage (V) | CCT Optial | Beam Angle | Power Factor | Dimmable | Lumen Flux | CRI Optial |
|-----|---------------------------------|-------------|-------------------|------------|---------------|--------------|----------|----------------|------------|
| Yes | TRK-PIN/L/34W/120/30K/24/D/WH/H | 34 | 120 | 3000K | 24°, 40°, 60° | >0.95 | Yes | 3200lm (3000K) | CRI82 |



LED FIXTURE

NXL Series

LED High Bay NXL-HB

LED High Bay Lighting Fixture with vertical 'chimney' thermal design



60W~200W

250W~300W



Features & Benefits

CUL listed, DLC

System light efficacy ≥ 130 Lumens per watt

White powder coated finish die cast aluminum housing prevents corrosion

Long life advanced thermal dynamics and heat dissipation

Frosted PC Lens type

Stem or hook mounting

Optional 0-10V dimming function

CRI ≥ 80 , L70@ 100,000 hrs

Voltage 120-277V / 347V-480V

PF >0.98

IP65 rated, Wet location

10' power cord

Warranty

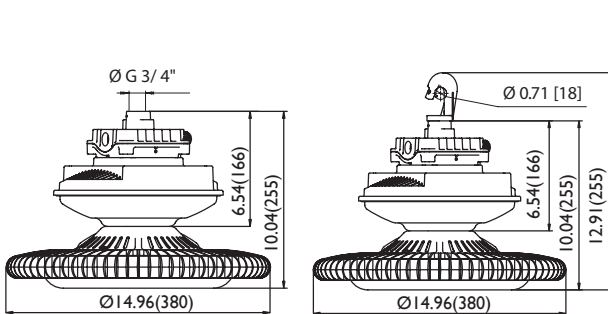
7-year limited warranty in commercial use from the date of purchase

Operating temperature range between -30°C and +50°C

Applications

Warehouse/Manufacturing Facilities, Convention Centers/Sporting Arenas
Big-Box Retail Stores, Cold Storage Facilities, Gymsnasiums

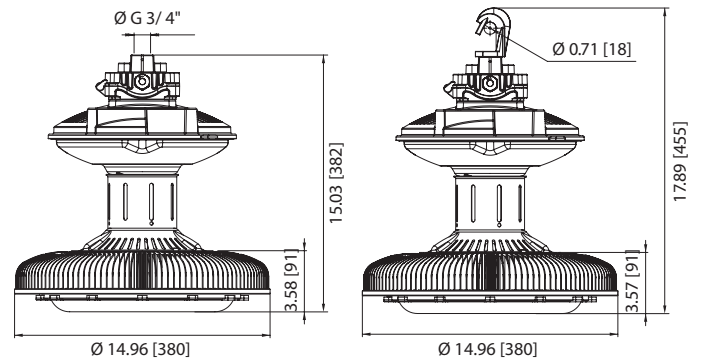
Dimensional drawing



Stem Installation

Hook installation

60W~200W



Stem Installation

Hook installation

250W~300W



LED High Bay

NXL-HB

Ordering Information Example: NXL-HB/60W/5/50/UNV/PCF/HK/D

| Family Name | Fixture Type | Wattage | IES Type | CCT (K) | Voltage (V) | Lens | Bracket Type | Dimmable | Option |
|--------------|---------------|--|------------|------------|----------------------------------|---------------------------|--|---------------------|--|
| NXL (New XL) | HB (High Bay) | 300W 250W 200W 150W 120W 100W 80W 60W | 5 (Type V) | 50 (5000K) | UNV (120-277V) HVU (347-480V) | PCF (PC lens, Frosted) | HK (Hook Mounting) PP (Pipe/ Conduit) | D (0~10 Dimming) | S (Sensor) 16" PC Hood 19" PC Hood 22" PC Hood 16" PC Conical Lens 19" PC Conical Lens 22" PC Conical Lens |

Product Specification

| Ordering Code | DLC | Model Number | Wattage (W) | Input Voltage (V) | IP | Lum/W | Initial Lumens (lm) | Hour Rating L70 | Hour Rating L90 | CCT (K) | CRI | IES Type | Dimension LxWxH(mm) | Case QTY. |
|----------------------|-----|-------------------------------|-------------|-------------------|----|-------|---------------------|-----------------|-----------------|---------|-----|----------|---------------------|-----------|
| 3686110 | Y | NXL-HB/60W/5/50/UNV/PCF/HK/D | 60 | 120-277 | 65 | 133 | 7,950 | 50,000 | 36,000 | 5000 | 80 | V | 380 x 380 x 255 | 1 |
| 3686111 | Y | NXL-HB/80W/5/50/UNV/PCF/HK/D | 80 | 120-277 | 65 | 138 | 11,010 | 50,000 | 36,000 | 5000 | 80 | V | 380 x 380 x 255 | 1 |
| 3686112 | Y | NXL-HB/100W/5/50/UNV/PCF/HK/D | 100 | 120-277 | 65 | 130 | 13,030 | 50,000 | 36,000 | 5000 | 80 | V | 380 x 380 x 255 | 1 |
| 3687104 | Y | NXL-HB/120W/5/50/UNV/PCF/HK/D | 120 | 120-277 | 65 | 131 | 15,680 | 50,000 | 36,000 | 5000 | 80 | V | 380 x 380 x 255 | 1 |
| 3687105 | Y | NXL-HB/150W/5/50/UNV/PCF/HK/D | 150 | 120-277 | 65 | 135 | 20,190 | 50,000 | 36,000 | 5000 | 80 | V | 380 x 380 x 255 | 1 |
| 3687106 ¹ | Y | NXL-HB/200W/5/50/UNV/PCF/HK/D | 200 | 120-277 | 65 | 130 | 26,020 | 50,000 | 36,000 | 5000 | 80 | V | 380 x 380 x 255 | 1 |
| 3688101 | Y | NXL-HB/250W/5/50/UNV/PCF/HK/D | 250 | 120-277 | 65 | 133 | 33,130 | 50,000 | 36,000 | 5000 | 80 | V | 380 x 380 x 382 | 1 |
| 3688102 | Y | NXL-HB/300W/5/50/UNV/PCF/HK/D | 300 | 120-277 | 65 | 131 | 39,420 | 50,000 | 36,000 | 5000 | 80 | V | 380 x 380 x 382 | 1 |
| 3686200 | Y | NXL-HB/60W/5/50/HVU/PCF/HK/D | 60 | 347-480 | 65 | 133 | 7,950 | 50,000 | 36,000 | 5000 | 80 | V | 380 x 380 x 255 | 1 |
| 3686201 | Y | NXL-HB/80W/5/50/HVU/PCF/HK/D | 80 | 347-480 | 65 | 138 | 11,010 | 50,000 | 36,000 | 5000 | 80 | V | 380 x 380 x 255 | 1 |
| 3686202 | Y | NXL-HB/100W/5/50/HVU/PCF/HK/D | 100 | 347-480 | 65 | 130 | 13,030 | 50,000 | 36,000 | 5000 | 80 | V | 380 x 380 x 255 | 1 |
| 3687200 | Y | NXL-HB/120W/5/50/HVU/PCF/HK/D | 120 | 347-480 | 65 | 131 | 15,680 | 50,000 | 36,000 | 5000 | 80 | V | 380 x 380 x 255 | 1 |
| 3687201 | Y | NXL-HB/150W/5/50/HVU/PCF/HK/D | 150 | 347-480 | 65 | 135 | 20,190 | 50,000 | 36,000 | 5000 | 80 | V | 380 x 380 x 255 | 1 |
| 3687202 | Y | NXL-HB/200W/5/50/HVU/PCF/HK/D | 200 | 347-480 | 65 | 130 | 26,020 | 50,000 | 36,000 | 5000 | 80 | V | 380 x 380 x 255 | 1 |
| 3688200 | Y | NXL-HB/250W/5/50/HVU/PCF/HK/D | 250 | 347-480 | 65 | 133 | 33,130 | 50,000 | 36,000 | 5000 | 80 | V | 380 x 380 x 382 | 1 |
| 3688201 | Y | NXL-HB/300W/5/50/HVU/PCF/HK/D | 300 | 347-480 | 65 | 131 | 39,420 | 50,000 | 36,000 | 5000 | 80 | V | 380 x 380 x 382 | 1 |

Hood + Lens Addition

| | | |
|---------|-------------------|---|
| 3660026 | NXL-HB/16/PC/HOOD | New XL 16" Poly Carbonate Hood, Clear |
| 3660028 | NXL-HB/19/PC/HOOD | New XL 19" Poly Carbonate Hood, Clear |
| 3660030 | NXL-HB/22/PC/HOOD | New XL 22" Poly Carbonate Hood, Clear |
| 3660025 | NXL-HB/16/PC/CL | New XL 16" Poly Carbonate Hood, Conical Lens, Clear |
| 3660027 | NXL-HB/19/PC/CL | New XL 19" Poly Carbonate Hood, Conical Lens, Clear |
| 3660029 | NXL-HB/22/PC/CL | New XL 22" Poly Carbonate Hood, Conical Lens, Clear |



PC Hood



PC Conical Len

¹ NXL-HB/200W approved -30°C ~ +65°C



LED FIXTURE

SSL Series

LED High Bay SSL-UHB

LED High Bay Lighting Fixture with Magnesium Alloy heatsink



Features & Benefits

cETC listed, DLC Premium

System light efficacy 130 LPW

Magnesium Alloy material, lighter in weight

Tilted heat sink back design for easy wash-off

Superior electrical and thermal conductivity

Durable TGIC painting **White** finish, better for tough weather conditions

10 ft power cord

LG LED Chip

CRI≥80, L70@ 100,000 Hrs

Voltage 120-277V and 347/480V

120° Beam spread

1-10V dimming

IP65 rated, wet location

Warranty

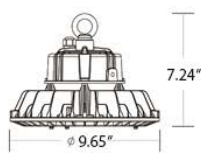
5-year limited warranty in commercial use from the date of purchase

Operating temperature range between -40°C and +50°C

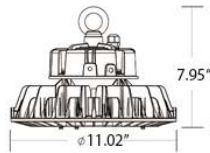
Applications

Warehouse/Manufacturing Facilities, Convention Centers/Sporting Arenas
Big-Box Retail Stores, Cold Storage Facilities, Gymnasiums

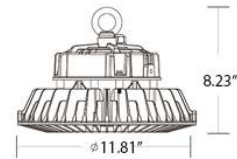
Dimensional drawing



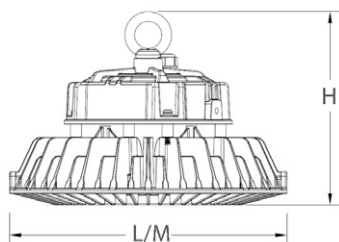
100W



150W



200W



| | L | W | H |
|-------------|--------|--------|-------|
| 100W | 9.65" | 9.65" | 7.24" |
| 150W | 11.02" | 11.02" | 7.95" |
| 200W | 11.81" | 11.81" | 8.23" |



LED High Bay

SSL-UHB

Ordering Information Example: SSL-UHB/100W/50/UNV/HK/D

| Family Name | Fixture Type | Wattage | CCT | Voltage (V) | Mounting | Dimmable | Options |
|----------------------------|--------------------------|----------------------|------------|----------------------------------|-----------------------|-------------------|--|
| SSL (Solid State Lighting) | UHB (Universal High Bay) | 100W 150W 200W | 50 (5000K) | UNV (120-277V) HVU (347/480V) | HK (Hook Mounting) | D (1-10V dimming) | SSL-UHB/14/AL/HOOD/90D SSL-UHB/16/PC/HOOD/70D SSL-UHB/PC/DIFFUSER/17UP SSL-UHB/JBOX SSL-UHB/SENSOR SSL-UHB/IP65JBOX |



HK (Hook Mounting)

Product Specification

| DLC | Model Number | Wattage (W) | Input Voltage (V) | Hour Rating | Initial Delivered Lumens (lumen) | CCT (K) | CRI | Dimension L×W×H(inch) | Case QTY. |
|-----|--------------------------|--|-------------------|-------------|----------------------------------|---------|-----|-----------------------|-----------|
| Y | SSL-UHB/100W/50/UNV/HK/D | 100 | 120-277V | 100,000 | 13,000 | 5000 | ≥80 | 9.65×9.65×7.24 | 1 |
| Y | SSL-UHB/100W/50/HVU/HK/D | 100 | 347/480V | 100,000 | 13,000 | 5000 | ≥80 | 9.65×9.65×7.24 | 1 |
| Y | SSL-UHB/150W/50/UNV/HK/D | 150 | 120-277V | 100,000 | 19,500 | 5000 | ≥80 | 11.02×11.02×7.95 | 1 |
| Y | SSL-UHB/150W/50/HVU/HK/D | 150 | 347/480V | 100,000 | 19,500 | 5000 | ≥80 | 11.02×11.02×7.95 | 1 |
| Y | SSL-UHB/200W/50/UNV/HK/D | 200 | 120-277V | 100,000 | 26,000 | 5000 | ≥80 | 11.81×11.81×8.23 | 1 |
| Y | SSL-UHB/200W/50/HVU/HK/D | 200 | 347/480V | 100,000 | 26,000 | 5000 | ≥80 | 11.81×11.81×8.23 | 1 |
| | SSL-UHB/14/AL/HOOD/90D | 90 Degree 14" Aluminium Hood | | | | | | | |
| | SSL-UHB/16/PC/HOOD/70D | 70 Degree 16" Polycarbonate Hood | | | | | | | |
| | SSL-UHB/PC/DIFFUSER/17UP | 180 Degree Polycarbonate Diffuser w/ 17% up light. | | | | | | | |
| | SSL-UHB/JBOX | Junction Box for Conduit Mtg, Through Wiring, White Finish | | | | | | | |
| | SSL-UHB/SENSOR | Sensor, 120-277V, Daylight & Motion sensing. | | | | | | | |
| | SSL-UHB/IP65JBOX | IP65 Junction Box (use with Sensor) applications. | | | | | | | |



90° Aluminium Reflector
SSL-UHB/14/AL/HOOD/90D



70° PC Reflector
SSL-UHB/16/PC/HOOD/70D



180° PC Lens
SSL-UHB/PC/DIFFUSER/17UP



Junction Box
SSL-UHB/JBOX



Sensor
SSL-UHB/SENSOR



Junction Box (use with sensor)
SSL-UHB/IP65JBOX



LED FIXTURE

SSL Series



With Sensor



LED Linear High Bay SSL-LHB

Offering quality lighting and excellent energy savings compared to linear fluorescent and HID high bay fixtures.



Features & Benefits

CUL listed, DLC*

Available with lumen outputs from 12,000 to 24,000 lumens

Power factor >0.9. 0-10V dimmable standard

Damp location rated

LM-80 certified high performance and reliable Osram and Lumileds LEDs.

Formed steel housing with white powder coat finish

Bi-level PIR Sensor and Remote optional

120° Beam spread

Warranty

5-year limited warranty in commercial use from the date of purchase

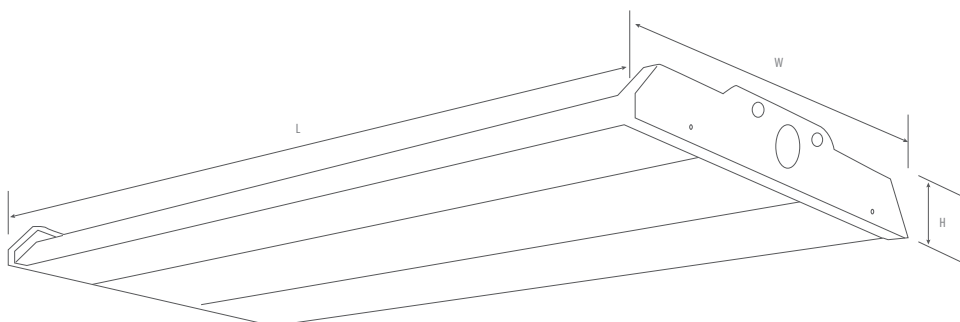
Operating temperature range between -40°C and +55°C

* DLC under qualifying process Q2, 2018

Applications

Warehouse, Factory, Convention Center, Gymnasium etc.

Dimensional drawing



| | L | W | H |
|------------------|-------|-------|------|
| 90W | 23.9" | 10.3" | 1.8" |
| 130W, 180W, 190W | 23.9" | 19.7" | 1.8" |



LED Linear High Bay

SSL-LHB

Ordering Information Example: SSL-LHB/90W/40/UNV/AC/D

| Family Name | Fixture Type | Wattage | CCT | Voltage (V) | Mounting | Dimmable | Options |
|-------------------------------|--------------------------|---------------------------|--------------------------|----------------------------------|-------------------------------|-----------------|---|
| SSL (Solid State Lighting) | LHB (Linear High Bay) | 90W 130W 180W/190W* | 40 (4000K) 50 (5000K) | UNV (120-277V) HVU (347/480V) | AC (Air Craft Cable Mount) | D (Dimmable) | SSL-FL/SB/UNV/PIR (PIR sensor integral indoor / outdoor application)** TL-2060/BX (PIR sensor external use)** TL-2060-RC (Remote control) |

* 180W UNV (120-277V) only, 190W HVU (347/480V) only

** Lens options available

L1 (360° lens, maximum coverage 48' diameter from 20' height)

H2 (360° lens, maximum coverage 60' diameter from 40' height)

I.E. SSL-FL/SB/UNV/PIR/L1 or TL-2060/BX/H2

Product Specification

| Ordering Code | DLC | Model Number | Wattage (W) | Input Voltage (V) | Hour Rating | Initial Delivered Lumens (lumen) | CCT (K) | CRI | Dimension LxWxH(inch) | Case QTY. |
|---------------|-----|--------------------------|--|-------------------|-------------|----------------------------------|---------|-----|-----------------------|-----------|
| 3666121 | Y | SSL-LHB/90W/40/UNV/AC/D | 90 | 120-277V | 50,000 | 11,700 | 4000 | >80 | 23.92x10.31x1.83 | 1 |
| 3666122 | Y | SSL-LHB/90W/50/UNV/AC/D | 90 | 120-277V | 50,000 | 11,700 | 5000 | >80 | 23.92x10.31x1.83 | 1 |
| 3666226 | Y | SSL-LHB/90W/40/HVU/AC/D | 90 | 347/480V | 50,000 | 11,700 | 4000 | >80 | 23.92x10.31x1.83 | 1 |
| 3666227 | Y | SSL-LHB/90W/50/HVU/AC/D | 90 | 347/480V | 50,000 | 11,700 | 5000 | >80 | 23.92x10.31x1.83 | 1 |
| 3667111 | Y | SSL-LHB/130W/40/UNV/AC/D | 130 | 120-277V | 50,000 | 17,000 | 4000 | >80 | 23.92x19.69x1.83 | 1 |
| 3667112 | Y | SSL-LHB/130W/50/UNV/AC/D | 130 | 120-277V | 50,000 | 17,000 | 5000 | >80 | 23.92x19.69x1.83 | 1 |
| 3667213 | Y | SSL-LHB/130W/40/HVU/AC/D | 130 | 347/480V | 50,000 | 17,000 | 4000 | >80 | 23.92x19.69x1.83 | 1 |
| 3667214 | Y | SSL-LHB/130W/50/HVU/AC/D | 130 | 347/480V | 50,000 | 17,000 | 5000 | >80 | 23.92x19.69x1.83 | 1 |
| 3667113 | Y | SSL-LHB/180W/40/UNV/AC/D | 180 | 120-277V | 50,000 | 23,500 | 4000 | >80 | 23.92x19.69x1.83 | 1 |
| 3667114 | Y | SSL-LHB/180W/50/UNV/AC/D | 180 | 120-277V | 50,000 | 23,500 | 5000 | >80 | 23.92x19.69x1.83 | 1 |
| 3667215 | Y | SSL-LHB/190W/40/HVU/AC/D | 190 | 347/480V | 50,000 | 23,800 | 4000 | >80 | 23.92x19.69x1.83 | 1 |
| 3667216 | Y | SSL-LHB/190W/50/HVU/AC/D | 190 | 347/480V | 50,000 | 23,800 | 5000 | >80 | 23.92x19.69x1.83 | 1 |
| | | SSL-FL/SB/UNV/PIR | PIR sensor 0-10V integral indoor/ outdoor application (remote programming tool required) | | | | | | | |
| | | TL-2060/BX | PIR sensor external use | | | | | | | |
| | | TL-2060-RC | Wireless remote control | | | | | | | |



T5 High Bay HB-T5

Fluorescent & LED tube High Bay fixture, white / Alanod Chrome reflector



Features & Benefits

4, 6 or 8 tube fixtures, T5 fluorescent & LED tube available

120-277V/ 347-480V input voltage

White / Alanod (320G) Chrome reflector options

Easy installation, tough body & quick access ballast door

Chain Mounting

Quick motion sensor connection with easy connector (optional TL-0008)

Default with Advance Electronic Ballast

10' cord c/w hanger supplied

Warranty

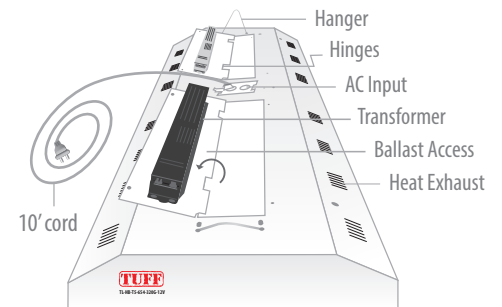
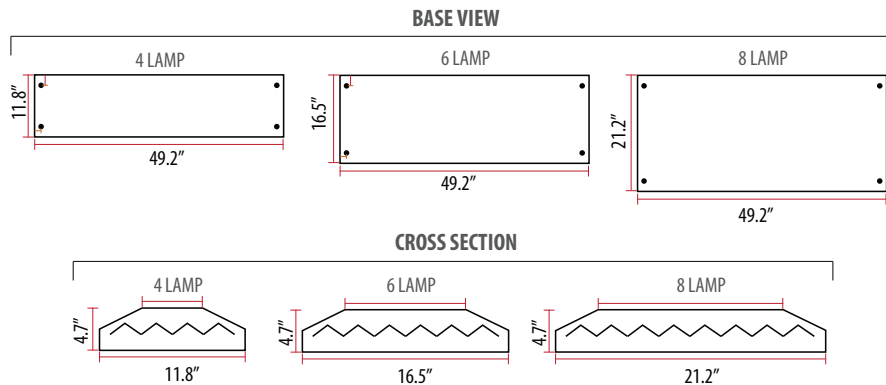
1-year limited warranty in commercial use from the date of purchase for fixture
Ballast warranted by brand

Operating temperature range between -29°C and +45°C

Applications

Warehouse/Manufacturing Facilities, Convention Centers/Sporting Arenas
Big-Box Retail Stores, Cold Storage Facilities, Gymnasiums

Dimensional drawing





T5 High Bay

HB-T5

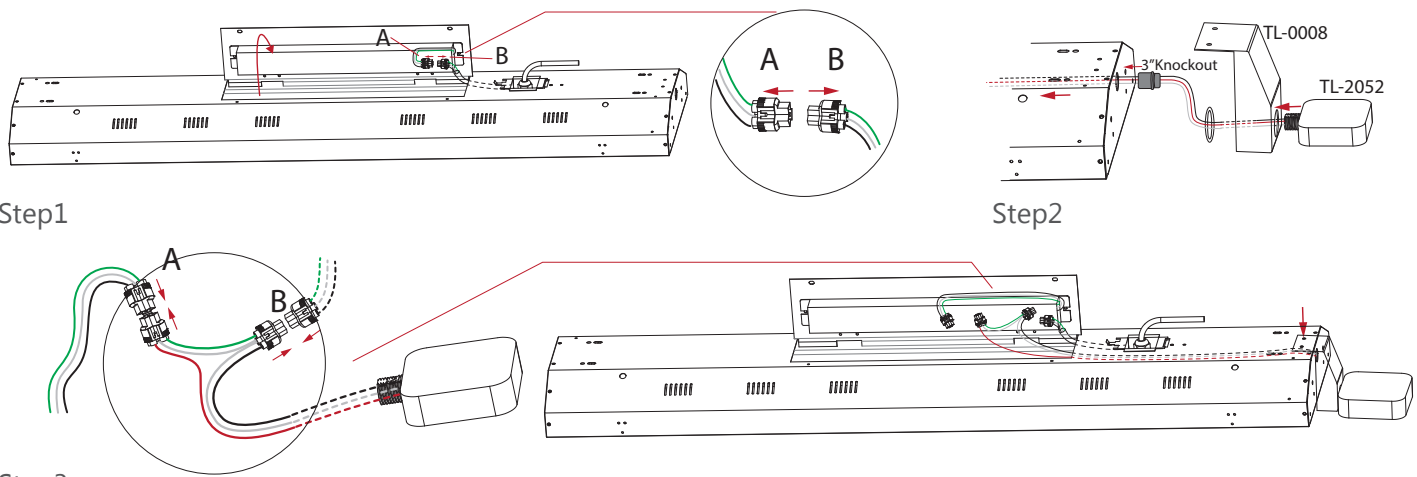
Ordering Information Example: HB-T5-454-120V-C

| Fixture Type | Lamp | # of Tubes | Wattage (fluorescent tube) | Voltage (V) | With Cord | Accessories |
|---------------------|------------------------|-------------|----------------------------|------------------------------------|--------------|--|
| HB (TUFF™ High Bay) | T5 (fluorescent & LED) | 4 6 8 | 54 (54W) | 120V (120-277V) 347V (347-480V) | C (10' Cord) | Acrylic Door Wire Guard Aircraft Cables Motion Sensor |

Product Specification

| Ordering Code | Model Number | Description | # of Tubes | Voltage | Ballast | Dimension LxWxH (inch) | Skid QTY. |
|---------------|------------------------|--|------------|--------------|---------|------------------------|-----------|
| 3187106 | HB-T5-454-120V-C | T5 High Bay 4 tube UNV Chrome Reflector 10ft Cord | 4 | 120-277V | Advance | 11.8X4.7X49.2 | 39 |
| 3187206 | HB-T5-454-347V-C | T5 High Bay 4 tube 347V Chrome Reflector 10ft Cord | 4 | 347-480V | Advance | 11.8X4.7X49.2 | 39 |
| 3187107 | HB-T5-654-120V-C | T5 High Bay 6 tube UNV Chrome Reflector 10ft Cord | 6 | 120-277V | Advance | 16.5X4.7X49.2 | 26 |
| 3187207 | HB-T5-654-347V-C | T5 High Bay 6 tube 347V Chrome Reflector 10ft Cord | 6 | 347-480V | Advance | 16.5X4.7X49.2 | 26 |
| 3187110 | HB-T5-854-120V-C | T5 High Bay 8 tube UNV Chrome Reflector 10ft Cord | 8 | 120-277V | Advance | 21.2X4.7X49.2 | 26 |
| 3187210 | HB-T5-854-347V-C | T5 High Bay 8 tube 347V Chrome Reflector 10ft Cord | 8 | 347-480V | Advance | 21.2X4.7X49.2 | 26 |
| 3167100 | HB-T5W-454-120V-C | T5 High Bay 4 tube UNV White Reflector 10ft Cord | 4 | 120-277V | Advance | 11.8X4.7X49.2 | 39 |
| 3167200 | HB-T5W-454-347V-C | T5 High Bay 4 tube 347V White Reflector 10ft Cord | 4 | 347-480V | Advance | 11.8X4.7X49.2 | 39 |
| 3167101 | HB-T5W-654-120V-C | T5 High Bay 6 tube UNV White Reflector 10ft Cord | 6 | 120-277V | Advance | 16.5X4.7X49.2 | 26 |
| 3167201 | HB-T5W-654-347V-C | T5 High Bay 6 tube 347V White Reflector 10ft Cord | 6 | 347-480V | Advance | 16.5X4.7X49.2 | 26 |
| 3180000 | Acrylic Door - 4 Lamps | Acrylic Door Frame Accessory for 4 tube High Bay T5 Fixture Acrylic | | | | | |
| 3180001 | Acrylic Door - 6 Lamps | Door Frame Accessory for 6 tube High Bay T5 Fixture Acrylic Door | | | | | |
| 3180005 | Acrylic Door - 8 Lamps | Frame Accessory for 8 tube High Bay T5 Fixture Wire Guard | | | | | |
| 3180002 | Wire Guard - 4 Lamps | Accessory for 4 tube High Bay T5 Fixture | | | | | |
| 3180003 | Wire Guard - 6 Lamps | Wire Guard Accessory for 6 tube High Bay T5 Fixture | | | | | |
| 3180006 | Wire Guard - 8 Lamps | Wire Guard Accessory for 8 tube High Bay T5 Fixture | | | | | |
| 3180004 | Aircraft Cable | 3m Adjustable Aircraft Cable | | | | | |
| 3768101 | TL-2052 | High Bay Passive Infrared Fixture Mounted Occupancy Sensor White | | 120-277/347V | | | |
| 3768104 | TL-2052-A | Occupancy Sensor Adapter ; High-Impact Housing, injection molded plastic | | | | | |
| 3768105 | TL-0008 | Easy Connector for motion sensor, with 3 inches knockout | | | | | |

Sensor Connection Guide





LED FIXTURE

NXL Series

LED Flood NXL-FL

LED Flood Lighting Fixture with vertical 'chimney' thermal design



Features & Benefits

CUL listed, DLC

System light efficacy ≥ 142 Lumens per watt

Black / White powder coated finish die cast aluminum housing prevents corrosion and looks incredible

Long life advanced thermal dynamics and heat dissipation

Rugged construction for high vibration

Wide range of mounting alternatives available

Clear/ Diffused lens optional

Optional 0-10V dimming function

CRI ≥ 80 , L70@ 100,000 hrs

Voltage 120-277V / 347V-480V

PF >0.98

IP65 rated (Whole Fixture), wet location

Warranty

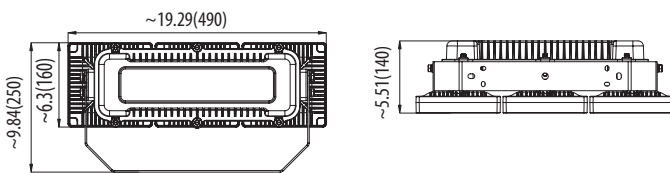
7-year limited warranty in commercial use from the date of purchase

Operating temperature range between -30°C and $+50^{\circ}\text{C}$

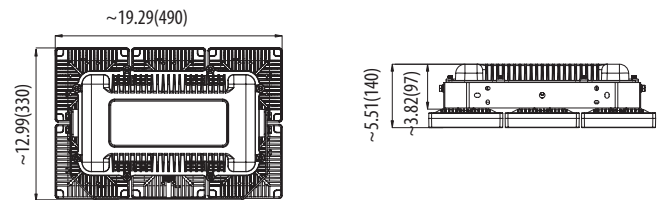
Applications

Parks, Shopping Malls, Outlets, Plazas, City Halls, Historical Sites, Parking Lots, Road Lighting

Dimensional drawing



120W~150W Output



180W~300W Output

Ordering Information Example: NXL-FL/120W/5/50/UNV/GLC/WM

| Family Name | Fixture Type | Wattage | IES Type | CCT (K) | Voltage (V) | Lens | Bracket Type | Dimmable |
|--------------|--------------|------------------------------|------------|------------|----------------------------------|-----------------------|--|---------------------|
| NXL (New XL) | FL (Flood) | 300W, 240W, 180W, 150W, 120W | 5 (Type V) | 50 (5000K) | UNV (120-277V) HVV (347-480V) | GLC (Glass, Clear) | WM (Wall Mounting) SFV (Slip Fitter by Vertical) SSF (Square Slip Fitter) HK (Hook) | D (0~10 Dimming) |

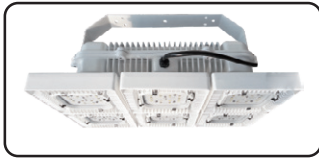
LED Flood

NXL-FL

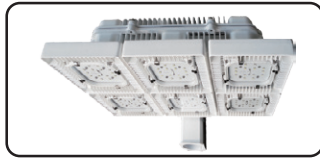
Product Specification

| Ordering Code | DLC | Model Number | Wattage (W) | Input Voltage (V) | IP | Lum/W | Initial Lumens (lm) | Hour Rating | | CCT (K) | CRI | IES Type | Housing Colour | Dimension L×W×H(mm) | Case QTY. |
|---------------|-----|-----------------------------|-------------|-------------------|----|-------|---------------------|-------------|--------|---------|-----|----------|----------------|---------------------|-----------|
| | | | | | | | | L70 | L90 | | | | | | |
| 3687100 | Y | NXL-FL/120W/5/50/UNV/GLC/WM | 120 | 120-277 | 65 | 144 | 17,260 | 50,000 | 36,000 | 5000 | 80 | V | Black | 490 x 160 x 140 | 1 |
| 3687101 | Y | NXL-FL/150W/5/50/UNV/GLC/WM | 150 | 120-277 | 65 | 142 | 21,240 | 50,000 | 36,000 | 5000 | 80 | V | Black | 490 x 160 x 140 | 1 |
| 3687102 | Y | NXL-FL/180W/5/50/UNV/GLC/WM | 180 | 120-277 | 65 | 147 | 26,400 | 50,000 | 36,000 | 5000 | 80 | V | Black | 490 x 330 x 140 | 1 |
| 3687103 | Y | NXL-FL/240W/5/50/UNV/GLC/WM | 240 | 120-277 | 65 | 143 | 34,370 | 50,000 | 36,000 | 5000 | 80 | V | Black | 490 x 330 x 140 | 1 |
| 3688100 | Y | NXL-FL/300W/5/50/UNV/GLC/WM | 300 | 120-277 | 65 | 143 | 42,760 | 50,000 | 36,000 | 5000 | 80 | V | Black | 490 x 330 x 140 | 1 |
| 3687203 | Y | NXL-FL/120W/5/50/HVU/GLC/WM | 120 | 347-480 | 65 | 144 | 17,260 | 50,000 | 36,000 | 5000 | 80 | V | Black | 490 x 160 x 140 | 1 |
| 3687204 | Y | NXL-FL/150W/5/50/HVU/GLC/WM | 150 | 347-480 | 65 | 142 | 21,240 | 50,000 | 36,000 | 5000 | 80 | V | Black | 490 x 160 x 140 | 1 |
| 3687205 | Y | NXL-FL/180W/5/50/HVU/GLC/WM | 180 | 347-480 | 65 | 147 | 26,400 | 50,000 | 36,000 | 5000 | 80 | V | Black | 490 x 330 x 140 | 1 |
| 3687206 | Y | NXL-FL/240W/5/50/HVU/GLC/WM | 240 | 347-480 | 65 | 143 | 34,370 | 50,000 | 36,000 | 5000 | 80 | V | Black | 490 x 330 x 140 | 1 |
| 3688202 | Y | NXL-FL/300W/5/50/HVU/GLC/WM | 300 | 347-480 | 65 | 143 | 42,760 | 50,000 | 36,000 | 5000 | 80 | V | Black | 490 x 330 x 140 | 1 |

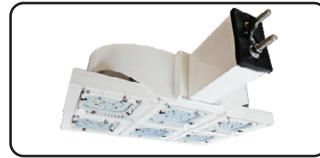
Bracket Type



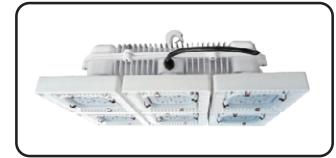
WM - Wall Mounting



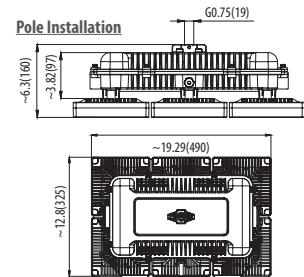
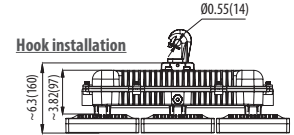
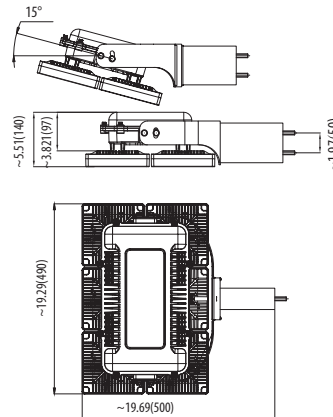
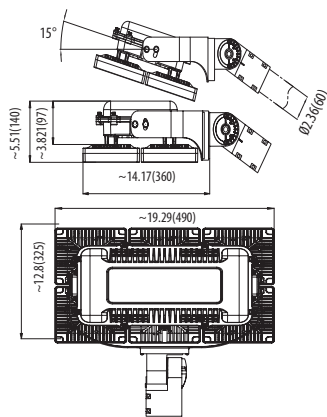
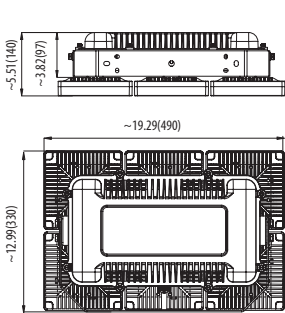
SFV - Slip Fitter by vertical



SSF - Square Slip Fitter



HK - Hook





LED FIXTURE

NXL Series



LED Slim Flood NXL-SFL

LED Slim Flood Lighting Fixture with vertical 'chimney' thermal design



Features & Benefits

CUL listed, DLC

System light efficacy ≥ 136 Lumens per watt

Black powder coated finish die cast aluminum housing prevents corrosion

Long life advanced thermal dynamics and heat dissipation

Rugged construction for high vibration

Wide range of mounting alternatives available

Clear/ Diffused lens optional

Optional 0-10V dimming function

CRI ≥ 80 , L70@ 100,000 hrs

Voltage 120-277V / 347V-480V

PF >0.98

IP65 rated (Whole Fixture), wet location

Warranty

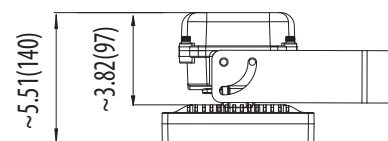
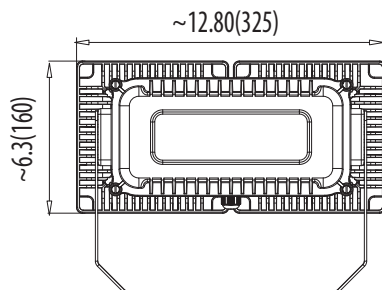
7-year limited warranty in commercial use from the date of purchase

Operating temperature range between -30°C and +50°C

Applications

Parks, Shopping Malls, Outlets, Plazas, City Halls, Historical Sites, Parking Lots, Road Lighting

Dimensional drawing



Ordering Information Example: NXL-SFL/60W/5/50/UNV/GLC/WM

| Family Name | Fixture Type | Wattage | IES Type | CCT (K) | Voltage (V) | Lens | Bracket Type | Dimmable |
|--------------|------------------|--------------------|------------|------------|----------------------------------|-----------------------|---|---------------------|
| NXL (New XL) | SFL (Slim Flood) | 100W 80W 60W | 5 (Type V) | 50 (5000K) | UNV (120-277V) HVV (347-480V) | GLC (Glass, Clear) | WM (Wall Mounting) SFV (Slip Fitter by Vertical) SSF (Square Slip Fitter) HK (Hook) SFL (Slip Fitter in Line) | D (0~10 Dimming) |

LED Slim Flood

NXL-SFL

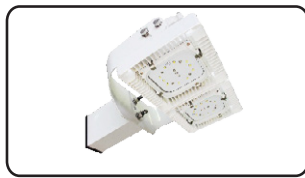
Product Specification

| Ordering Code | DLC | Model Number | Wattage (W) | Input Voltage (V) | IP | Lum/W | Initial Lumens (lm) | Hour Rating L70 | Hour Rating L90 | CCT (K) | CRI | IES Type | Housing Colour | Dimension L×W×H(mm) | Case QTY. |
|----------------|-----|------------------------------|-------------|-------------------|----|-------|---------------------|-----------------|-----------------|---------|-----|----------|----------------|---------------------|-----------|
| 3686106 | Y | NXL-SFL/60W/5/50/UNV/GLC/WM | 60 | 120-277 | 65 | 148 | 8,900 | 50,000 | 36,000 | 5000 | 80 | V | Black | 325 x 160 x 140 | 1 |
| 3686107 | Y | NXL-SFL/80W/5/50/UNV/GLC/WM | 80 | 120-277 | 65 | 138 | 11,060 | 50,000 | 36,000 | 5000 | 80 | V | Black | 325 x 160 x 140 | 1 |
| 3686108 | Y | NXL-SFL/100W/5/50/UNV/GLC/WM | 100 | 120-277 | 65 | 136 | 13,640 | 50,000 | 36,000 | 5000 | 80 | V | Black | 325 x 160 x 140 | 1 |
| 3666214 | Y | NXL-SFL/60W/5/50/HVU/GLC/WM | 60 | 347-480 | 65 | 148 | 8,900 | 50,000 | 36,000 | 5000 | 80 | V | Black | 325 x 160 x 140 | 1 |
| 3666215 | Y | NXL-SFL/80W/5/50/HVU/GLC/WM | 80 | 347-480 | 65 | 138 | 11,060 | 50,000 | 36,000 | 5000 | 80 | V | Black | 325 x 160 x 140 | 1 |
| 3686203 | Y | NXL-SFL/100W/5/50/HVU/GLC/WM | 100 | 347-480 | 65 | 136 | 13,640 | 50,000 | 36,000 | 5000 | 80 | V | Black | 325 x 160 x 140 | 1 |

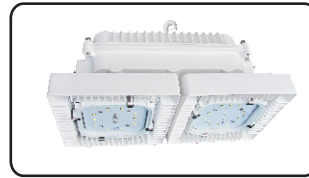
Bracket Type



SFV - Slip Fitter by vertical



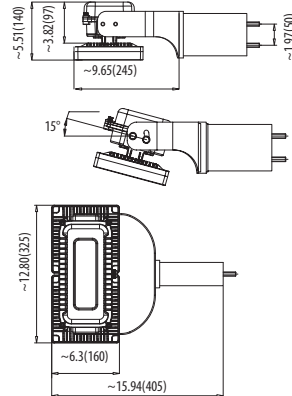
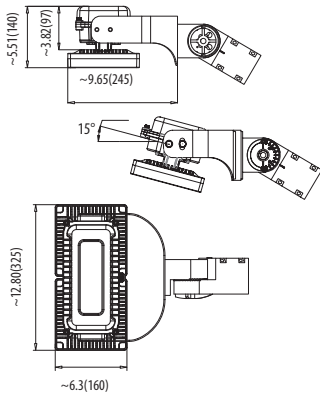
SSF - Square Slip Fitter



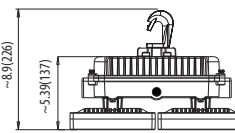
HK - Hook



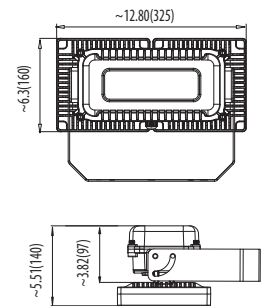
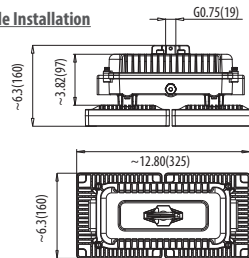
WM - Wall Mounting



Hook installation



Pole Installation





LED FIXTURE

SSL Series

LED Flood SSL-FL1

Outstanding photometric performance, excellent uniform illumination, low profile construction, high efficacy and long lifespan, it's ideal for commercial lighting application.



Features & Benefits

CUL listed, DLC

Protective architectural dark bronze power coating to ensure long lasting performance even in harsh environment

Compact and light weighted, ideal for confined spaces

IES type V for optimized light distribution, type III or IV by special order

Optional installation of Slipfitter, Pole Mount and Wall Mount

Bi-level motion sensor or photocell optional, factory ordered

CRI>70, L70 @ 50,000 Hrs, LM80 certified

Voltage 120-277V/347V/480V, support 0-10V dimmable

IP66 rated, wet location

Warranty

5-year limited warranty in commercial use from the date of purchase

Operating temperature range between -40°C and +45°C

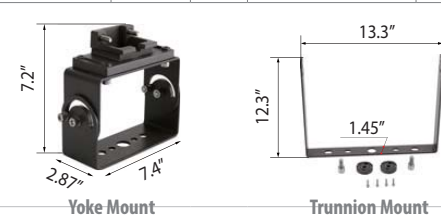
Applications

Parks, Shopping Malls, Outlets, Plazas, City Halls, Historical Sites, Road Lighting



Product Specification

| Ordering Code | DLC | Model Number | Mounting | Wattage (W) | Input Voltage (V) | Hour Rating | Optics/ Distribution | Initial Delivered Lumens (lm) | CCT (K) | CRI | Dimension ¹ L×W×H(inch) | Case QTY. |
|---------------|-----|-----------------------------|---|-------------|-------------------|-------------|----------------------|-------------------------------|---------|-----|------------------------------------|-----------|
| 3666107 | Y | SSL-FL1/105W/50/UNV/DB/YK/D | Yoke | 105 | 120-277 | 50,000 | Type V | 13400 | 5000K | 70 | 11.25 X 12.4 X 3.07 | 1 |
| 3666212 | Y | SSL-FL1/110W/50/HVU/DB/YK/D | Yoke | 105 | 347-480 | 50,000 | Type V | 13400 | 5000K | 70 | 11.25 X 12.4 X 3.07 | 1 |
| 3667104 | Y | SSL-FL1/150W/50/UNV/DB/YK/D | Yoke | 150 | 120-277 | 50,000 | Type V | 21150 | 5000K | 70 | 15.8 X 12.99 X 3.15 | 1 |
| 3667205 | Y | SSL-FL1/150W/50/HVU/DB/YK/D | Yoke | 150 | 347-480 | 50,000 | Type V | 21150 | 5000K | 70 | 15.8 X 12.99 X 3.15 | 1 |
| 3667105 | Y | SSL-FL1/200W/50/UNV/DB/YK/D | Yoke | 200 | 120-277 | 50,000 | Type V | 26200 | 5000K | 70 | 15.8 X 12.99 X 3.15 | 1 |
| 3667206 | Y | SSL-FL1/200W/50/HVU/DB/YK/D | Yoke | 200 | 347-480 | 50,000 | Type V | 27200 | 5000K | 70 | 15.8 X 12.99 X 3.15 | 1 |
| 3668102 | Y | SSL-FL1/250W/50/UNV/DB/YK/D | Trunnion | 250 | 120-277 | 50,000 | Type V | 35250 | 5000K | 70 | 25.03 X 14.29 X 3.15 | 1 |
| 3668200 | Y | SSL-FL1/250W/50/HVU/DB/YK/D | Trunnion | 250 | 347-480 | 50,000 | Type V | 33250 | 5000K | 70 | 25.03 X 14.29 X 3.15 | 1 |
| 3668103 | Y | SSL-FL1/300W/50/UNV/DB/YK/D | Trunnion | 300 | 120-277 | 50,000 | Type V | 39300 | 5000K | 70 | 25.03 X 14.29 X 3.15 | 1 |
| 3668201 | Y | SSL-FL1/300W/50/HVU/DB/YK/D | Trunnion | 300 | 347-480 | 50,000 | Type V | 39000 | 5000K | 70 | 25.03 X 14.29 X 3.15 | 1 |
| 3660014 | | SSL-FL/SB/SQ-RD-MTG/DB | RD / SQ Pole Mount | | | | | | | | | |
| 3660015 | | SSL-FL/SB/WALL-MTG/DB | Wall Mount | | | | | | | | | |
| 3660016 | | SSL-FL/SB/ARM-SSF/DB | 90° Wall Mount with 2-3/8" O.D. Tenon | | | | | | | | | |
| | | SSL-FL/SB/SSF-23/8/DB | Slipfitter Mount fits 2 3/8" O.D. pipe | | | | | | | | | |
| | | "S" | Bi-Level motion Sensor, factory ordered (non field install) | | | | | | | | | |
| | | "P" | Photocell | | | | | | | | | |



¹ W/O MTG bracket



LED Flood

SSL-FL1

Ordering Information Example: SSL-FL1/105W/50/UNV/DB/YK/D

| Family Name | Fixture Type | Wattage | CCT | Voltage (V) | Body Finish | Mounting | Dimmable | Options** |
|----------------------------|--------------|--|---------------------------|-----------------------------------|------------------|---|--------------|---|
| SSL (Solid State Lighting) | FL1 (Flood) | 300W 250W 200W 150W 110W 105W | 50 (5000K) 40 (4000K)* | UNV (120-277V) HVVU (347-480V) | DB (Dark Bronze) | YK (Yoke 105W/110W/200W) (Trunnion 250W/300W) | D (Dimmable) | SSL-FL/SB/SSF-23/8/DB SSL-FL/SB/SQ-RD-MTG/DB SSL-FL/SB/WALL-MTG/DB SSL-FL/SB/ARM-SSF/DB S (Bi-level motion Sensor) P (Photocell) |

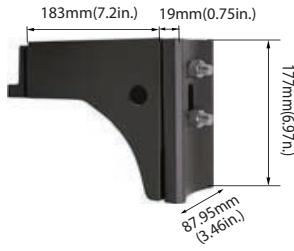
* 4000K available, factory order

** The model number reflects stocked item with yoke or trunnion MTG hardware. Optional MTG hardware available see options.

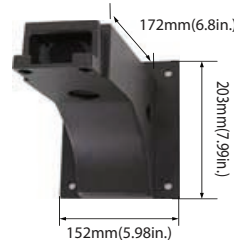
Mounting Options



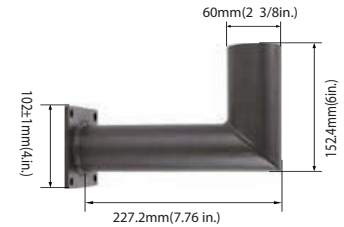
SSL-FL/SB/SSF-23/8/DB



SSL-FL/SB/SQ-RD-MTG/DB



SSL-FL/SB/WALL-MTG/DB



SSL-FL/SB/ARM-SSF/DB

Slipfitter Mount

For pole mounting. Aluminum mast arm adapter secures fixture head to nominal 2" (2-3/8" O.D. pipe size) horizontal steel tenon arm. Furnished with two 1/2" hex head stainless-steel screw.

Round / Square Pole Mount

Standard versatile mounting arm for Area Light application, with K/O to install Photocell or sensor. Furnished with two 5/16" hex head stainless-steel bolts and two 1/2" hex head stainless-steel screw. Suitable for 4" & 5" round or square poles.

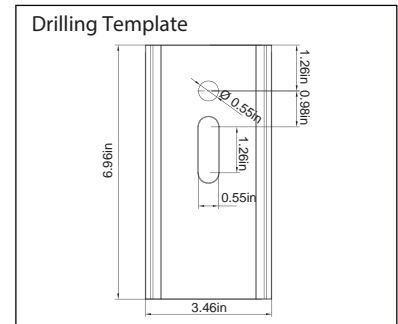
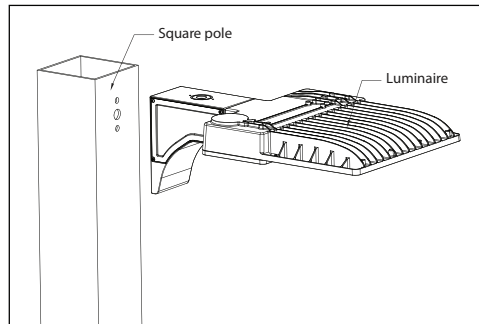
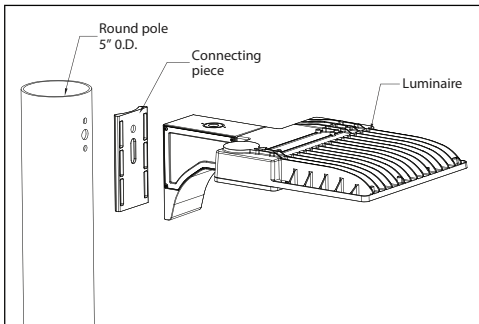
Wall Mount

Wall Mount is easy to install for direct wall mounting with 1/2" conduit wiring or standard J-box mounting, and with K/O to install Photocell or sensor. Furnished with two 5/16" hex head stainless-steel bolts.

90° Wall Mount with 2-3/8" O.D. Tenon

The 90° wall mount bracket with 2-3/8" tenon attaches an floodlight to almost any surface: wall, roof, or wood pole. Provides wiring access and abuilt-in 2-3/8" O.D. tenon to mount a fixture with our adjustable slipfitter. Suggested 3/8" diameter bolts for mounting. Mounting holes are spaced 3-1/4" apart.

Mounting Dimensions





LED FIXTURE

SSL Series

LED Slim Flood SSL-SFL1

The Mini LED floodlights replace 50W, 100W and 150W pulse start metal halide floodlights
Applications include building facades, landscaping, security lighting and walkways.



Knuckle Mounting



Features & Benefits

CUL listed

Available with lumen outputs from 1,500 to 5,400 lumens
Consumes 15W-45W to replace 50W-150W MH light

Rugged Die-cast aluminum housing

UV resistant dark bronze powder body finish

Traditional 1/2" NPS threaded adjustable knuckle mounting
Trunnion and wall mount (only for 30W & 45W) optional

Wet location rated

Voltage 120-277V

CRI≥70, L70 @ 50,000 Hrs

Warranty

5-year limited warranty in commercial use from the date of purchase

Operating temperature range between -40°C and +45°C

Product Specification

| Ordering Code | Model Number | Description | Wattage (W) | Input Voltage (V) | Hour Rating | Beam Pattern NEMA | Initial Delivered Lumens (lm) | CCT (K) | CRI | Dimension L×W×H(inch) | Case QTY. |
|---------------|----------------------------|---|-------------|-------------------|-------------|-------------------|-------------------------------|---------|-----|-----------------------|-----------|
| 3663100 | SSL-SFL1/15W/50/UNV/DB/KNC | 15W, 50K, 120-277V, Dark Bronze, Knuckle | 15 | 120-277 | 50,000 | 7H×7V | 1500 | 5000K | 70 | 4.72 X 2.95 X 1.27 | 1 |
| 3665113 | SSL-SFL1/30W/50/UNV/DB/KNC | 30W, 50K, 120-277V, Dark Bronze, Knuckle | 30 | 120-277 | 50,000 | 7H×7V | 3000 | 5000K | 70 | 7.08 X 4.42 X 1.61 | 1 |
| 3664122 | SSL-SFL1/30W/50/UNV/DB/WM | 30W, 50K, 120-277V, Dark Bronze, Wall Mount | 30 | 120-277 | 50,000 | 7H×7V | 3000 | 5000K | 70 | 7.08 X 4.42 X 1.61 | 1 |
| 3665114 | SSL-SFL1/45W/50/UNV/DB/KNC | 45W, 50K, 120-277V, Dark Bronze, Knuckle | 45 | 120-277 | 50,000 | 7H×7V | 5400 | 5000K | 70 | 8.26 X 5.16 X 2.45 | 1 |

Applications

Building facades, displays, landscaping, security lighting, walkways and other work areas.

Mounting Options

Trunnion Mount



Wall Mount (30W & 45W ONLY) 4 & 5" J-box mounting



Ordering Information Example: SSL-SFL1/15W/50/UNV/DB/KNC

| Family Name | Fixture Type | Wattage | CCT | Voltage (V) | Body Finish | Mounting |
|-------------------------------|----------------------|-------------------|---------------|-------------------|---------------------|---|
| SSL (Solid State Lighting) | SFL1 (Slim Flood) | 15W 30W 45W | 50 (5000K) | UNV (120~277V) | DB (Dark Bronze) | KNC (Knuckle) WM (Wall Mount) TR (Trunnion) |



LED FIXTURE

NXL Series

LED Shoe Box NXL-SB

LED Parking lot lighting (Shoe Box) with vertical 'chimney' thermal design



Slip Fitter by Vertical



Square Slip Fitter



Features & Benefits

- CUL listed, DLC
- System light efficacy ≥ 110 Lumens per watt
- Black / White powder coated finish die cast aluminum housing prevents corrosion
- Long life advanced thermal dynamics and heat dissipation
- Rugged construction for high vibration
- Wide range of mounting alternatives available

- Clear/ Diffused lens optional
- Optional 0-10V dimming function
- CRI ≥ 80 , L70@ 100,000 hrs
- Voltage 120-277V
- PF > 0.98
- IP65 rated (Whole Fixture), Wet location

Warranty

- 7-year limited warranty in commercial use from the date of purchase
- Operating temperature range between -30°C and $+50^{\circ}\text{C}$

Applications

- Parking lot, Plaza, Shopping Mall, Tennis Court and etc.

Product Specification

| Ordering Code | DLC | Model Number | Wattage (W) | Input Voltage (V) | IP | Lum/W | Initial Lumens (lm) | Hour Rating L70 | Hour Rating L90 | CCT (K) | CRI | IES Type | Housing Colour | Dimension LxWxH(mm) | Case QTY. |
|---------------|-----|------------------------------|-------------|-------------------|----|-------|---------------------|-----------------|-----------------|---------|-----|----------|----------------|---------------------|-----------|
| 3687107 | Y | NXL-SB/120W/3/50/UNV/PCF/SFV | 120 | 120-277 | 65 | 110 | 13,200 | 50,000 | 36,000 | 5000 | 80 | III | Black | 490 x 160 x 140 | 1 |
| 3687108 | Y | NXL-SB/150W/3/50/UNV/PCF/SFV | 150 | 120-277 | 65 | 110 | 16,500 | 50,000 | 36,000 | 5000 | 80 | III | Black | 490 x 160 x 140 | 1 |
| 3687109 | Y | NXL-SB/180W/3/50/UNV/PCF/SFV | 180 | 120-277 | 65 | 110 | 19,800 | 50,000 | 36,000 | 5000 | 80 | III | Black | 490 x 330 x 140 | 1 |
| 3687110 | Y | NXL-SB/240W/3/50/UNV/PCF/SFV | 240 | 120-277 | 65 | 110 | 26,400 | 50,000 | 36,000 | 5000 | 80 | III | Black | 490 x 330 x 140 | 1 |
| 3688103 | Y | NXL-SB/300W/3/50/UNV/PCF/SFV | 300 | 120-277 | 65 | 110 | 33,000 | 50,000 | 36,000 | 5000 | 80 | III | Black | 490 x 330 x 140 | 1 |

Dimensional drawing



Ordering Information

Example: NXL-SB/120W/3/50/UNV/PCF/SFV

| Family Name | Fixture Type | Wattage | IES Type | CCT | Voltage (V) | Lens | Bracket Type | Dimmable |
|--------------|---------------|----------------------------------|--------------|------------|----------------|-----------------------|---|------------------|
| NXL (New XL) | SB (Shoe Box) | 300W, 240W 180W, 150W 120W | 3 (Type III) | 50 (5000K) | UNV (120~277V) | PCF (PC Lens Frosted) | SFV (Slip Fitter by Vertical) SSF (Square Slip Fitter) | D (0~10 Dimming) |



LED FIXTURE

SSL Series

LED Shoe Box SSL-SB1

Outstanding photometric performance, excellent uniform illumination, low profile construction, high efficacy and long lifespan, it's ideal for commercial lighting application.



Features & Benefits

CUL listed, DLC

Protective architectural dark bronze power coating to ensure long lasting performance even in harsh environment

Compact and light weighted, ideal for confined spaces

IES type III for optimized light distribution, type IV or V by special order

Optional installation of Pole Mount and Wall Mount

Bi-level motion sensor or photocell optional, factory ordered

CRI>70, L70 @ 50,000 Hrs, LM80 certified

Voltage 120-277V/347V/480V, support 0-10V dimmable

IP66 rated, wet location

Warranty

5-year limited warranty in commercial use from the date of purchase

Operating temperature range between -40°C and +45°C

Applications

Parks, Shopping Malls, Outlets, Plazas, City Halls, Historical Sites, Road Lighting



Product Specification

| Ordering Code | DLC | Model Number | Mounting | Wattage (W) | Input Voltage (V) | Hour Rating | Optics/Distribution | Initial Delivered Lumens (lm) | CCT (K) | CRI | Dimension ¹ L×W×H(inch) | Case QTY. |
|---------------|-----|------------------------------|---|-------------|-------------------|-------------|---------------------|-------------------------------|---------|-----|------------------------------------|-----------|
| 3667106 | Y | SSL-SB1/105W/50/UNV/DB/SSF/D | Square Slipfitter | 105 | 120-277 | 50,000 | Type III | 13400 | 5000K | 70 | 11.26 X 12.4 X 3.07 | 1 |
| 3667207 | Y | SSL-SB1/110W/50/HVU/DB/SSF/D | Square Slipfitter | 105 | 347-480 | 50,000 | Type III | 13000 | 5000K | 70 | 11.26 X 12.4 X 3.07 | 1 |
| 3667107 | Y | SSL-SB1/150W/50/UNV/DB/SSF/D | Square Slipfitter | 150 | 120-277 | 50,000 | Type III | 19700 | 5000K | 70 | 15.79 X 12.99 X 3.15 | 1 |
| 3667208 | Y | SSL-SB1/150W/50/HVU/DB/SSF/D | Square Slipfitter | 150 | 347-480 | 50,000 | Type III | 19700 | 5000K | 70 | 15.79 X 12.99 X 3.15 | 1 |
| 3667108 | Y | SSL-SB1/200W/50/UNV/DB/SSF/D | Square Slipfitter | 200 | 120-277 | 50,000 | Type III | 26200 | 5000K | 70 | 15.79 X 12.99 X 3.15 | 1 |
| 3667209 | Y | SSL-SB1/200W/50/HVU/DB/SSF/D | Square Slipfitter | 200 | 347-480 | 50,000 | Type III | 26000 | 5000K | 70 | 15.79 X 12.99 X 3.15 | 1 |
| 3668100 | Y | SSL-SB1/250W/50/UNV/DB/SSF/D | Square Slipfitter | 250 | 120-277 | 50,000 | Type III | 33250 | 5000K | 70 | 25.04 X 13.39 X 3.15 | 1 |
| 3668202 | Y | SSL-SB1/250W/50/HVU/DB/SSF/D | Square Slipfitter | 250 | 347-480 | 50,000 | Type III | 33250 | 5000K | 70 | 25.04 X 13.39 X 3.15 | 1 |
| 3668101 | Y | SSL-SB1/300W/50/UNV/DB/SSF/D | Square Slipfitter | 300 | 120-277 | 50,000 | Type III | 39300 | 5000K | 70 | 25.04 X 13.39 X 3.15 | 1 |
| 3668203 | Y | SSL-SB1/300W/50/HVU/DB/SSF/D | Square Slipfitter | 300 | 347-480 | 50,000 | Type III | 39000 | 5000K | 70 | 25.04 X 13.39 X 3.15 | 1 |
| 3660014 | | SSL-FL/SB/SQ-RD-MTG/DB | RD/ SQ Pole Mount | | | | | | | | | |
| 3660015 | | SSL-FL/SB/WALL-MTG/DB | Wall Mount | | | | | | | | | |
| 3660016 | | SSL-FL/SB/ARM-SSF/DB | 90° Wall Mount with 2-3/8" O.D. Tenon | | | | | | | | | |
| | | "S" | Bi-Level motion Sensor, factory ordered (non field install) | | | | | | | | | |
| | | "P" | Photocell | | | | | | | | | |

¹ W/O Slipfitter



LED Shoe Box

SSL-SB1

Ordering Information Example: SSL-SB1/105W/50/UNV/DB/SSF/D

| Family Name | Fixture Type | Wattage | CCT | Voltage (V) | Body Finish | Mounting | Dimmable | Options** |
|----------------------------|----------------|--|---------------------------|----------------------------------|------------------|-------------------------|--------------|--|
| SSL (Solid State Lighting) | SB1 (Shoe Box) | 300W 250W 200W 150W 110W 105W | 50 (5000K) 40 (4000K)* | UNV (120-277V) HVV (347-480V) | DB (Dark Bronze) | SSF (Square Slipfitter) | D (Dimmable) | SSL-FL/SB/SQ-RD-MTG/DB SSL-FL/SB/WALL-MTG/DB SSL-FL/SB/ARM-SSF/DB S (Bi-level motion Sensor) P (Photocell) |

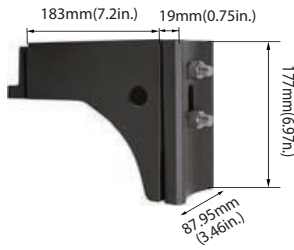
*4000K available, factory order

**The model number reflects stocked item with slipfitter MTG hardware. Optional MTG hardware available see options.

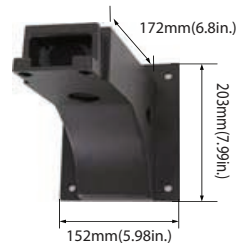
Mounting Options



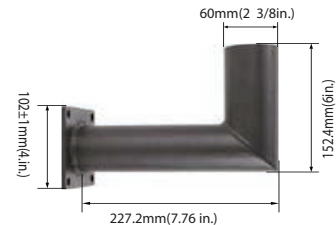
SSL-FL/SB/SSF-23/8/DB



SSL-FL/SB/SQ-RD-MTG/DB



SSL-FL/SB/WALL-MTG/DB



SSL-FL/SB/ARM-SSF/DB

Slipfitter Mount

For pole mounting. Aluminum mast arm adapter secures fixture head to nominal 2" (2-3/8" O.D. pipe size) horizontal steel tenon arm. Furnished with two 1/2" hex head stainless-steel screw.

Round / Square Pole Mount

Standard versatile mounting arm for Area Light application, with K/O to install Photocell or sensor. Furnished with two 5/16" hex head stainless-steel bolts and two 1/2" hex head stainless-steel screw. Suitable for 4" & 5" round or square poles.

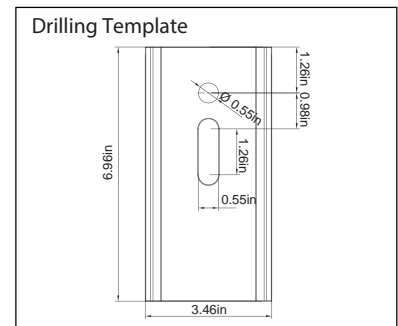
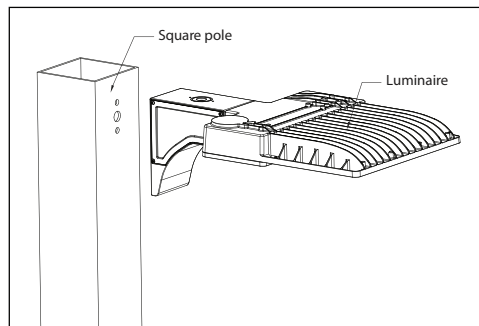
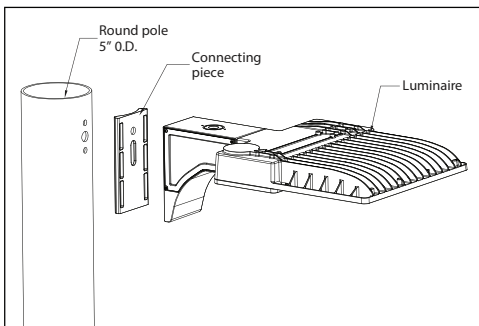
Wall Mount

Wall Mount is easy to install for direct wall mounting with 1/2" conduit wiring or standard J-box mounting, and with K/O to install Photocell or sensor. Furnished with two 5/16" hex head stainless-steel bolts.

90° Wall Mount with 2-3/8" O.D. Tenon

The 90° wall mount bracket with 2-3/8" tenon attaches an floodlight to almost any surface: wall, roof, or wood pole. Provides wiring access and built-in 2-3/8" O.D. tenon to mount a fixture with our adjustable slipfitter. Suggested 3/8" diameter bolts for mounting. Mounting holes are spaced 3-1/4" apart.

Mounting Dimensions





LED FIXTURE

SSL Series



LED Wall Pack

SSL-WP1S

Enhanced LED performance in a classic design, offers efficiently deliver lumens, and consume less energy than traditional wall pack technologies.



Features & Benefits

CUL listed, DLC qualified

Available with lumen outputs from 3,600 to 7,900

LM-80 certified high performance and reliable lumileds LEDs

Die-cast aluminum with durable dark bronze finish

Wet location rated

Junction box or wall mounted directly

CRI≥70, L70 @ 50,000 Hrs

Voltage 120-277V/347V-480V

Photocell Sensor optional

Polycarbonate lens with UV stabilizers

Warranty


5-year limited warranty in commercial use from the date of purchase

Operating temperature range between -40°C and +40°C

Applications

Security, pathway and perimeter lighting, Building entryways and walkways

Product Specification

| Ordering Code | DLC* | Model Number | Description | Wattage (W) | Input Voltage (V) | Hour Rating | Optics/ Distribution | Initial Delivered Lumens (lm) | CCT (K) | CRI | Dimension L×W×H(inch) | Case QTY. |
|---------------|------|------------------------|---|-------------|-------------------|-------------|--|-------------------------------|---------|-----|-----------------------|-----------|
| 3664127 | Y/P | SSL-WP1S/30W/50/UNV/DB | 30W, 50K, 100-277V, Dark Bronze | 30 | 120-277V | 50,000 | H110°×V100° | 3600 | 5000K | 70 | 14.21 x 7.2 x 9.25 | 1 |
| 3665141 | Y/P | SSL-WP1S/40W/50/UNV/DB | 40W, 50K, 100-277V, Dark Bronze | 40 | 120-277V | 50,000 | H110°×V100° | 5100 | 5000K | 70 | 14.21 x 7.2 x 9.25 | 1 |
| 3665229 | Y/P | SSL-WP1S/40W/50/HVU/DB | 40W, 50K, 347-480V, Dark Bronze | 40 | 347-480V | 50,000 | H110°×V100° | 5100 | 5000K | 70 | 14.21 x 7.2 x 9.25 | 1 |
| 3666127 | Y | SSL-WP1S/65W/50/UNV/DB | 65W, 50K, 100-277V, Dark Bronze | 65 | 120-277V | 50,000 | H110°×V100° | 7900 | 5000K | 70 | 14.21 x 7.2 x 9.25 | 1 |
| 3666232 | Y | SSL-WP1S/65W/50/HVU/DB | 65W, 50K, 347-480V, Dark Bronze | 65 | 347-480V | 50,000 | H110°×V100° | 7900 | 5000K | 70 | 14.21 x 7.2 x 9.25 | 1 |
| 3660000 | | LC-105 | Photocell Sensor, for Wall Pack 120V application only | | | |  <p>Photocell</p> | | | | | |

* DLC Premium (Y/P)



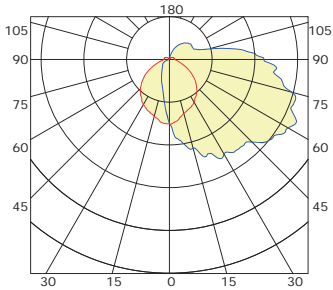
LED Wall Pack

SSL-WP1S

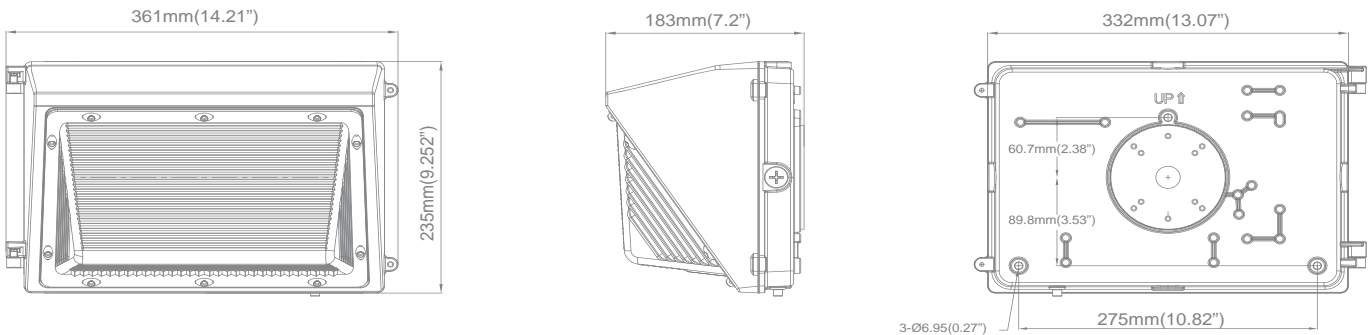
Ordering Information Example: SSL-WP1S/30W/50/UNV/DB

| Family Name | Fixture Type | Wattage | CCT | Voltage (V) | Body Finish | Mounting | Options |
|----------------------------|-----------------|-------------------|------------|----------------------------------|------------------|----------|------------------|
| SSL (Solid State Lighting) | WP1S(Wall Pack) | 30W 40W 65W | 50 (5000K) | UNV (120-277V) HVU (347-480V) | DB (Dark Bronze) | Wall | Photocell Sensor |

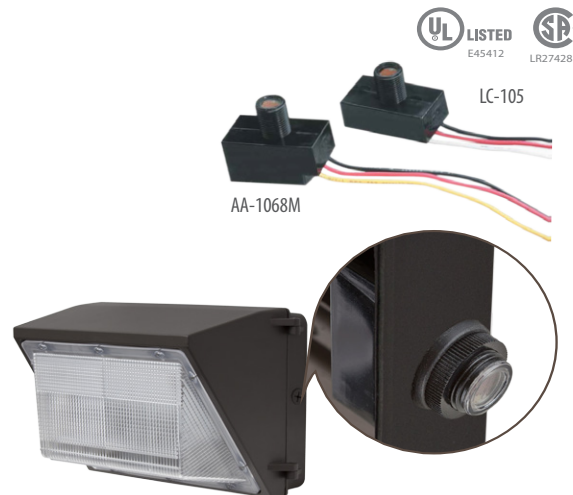
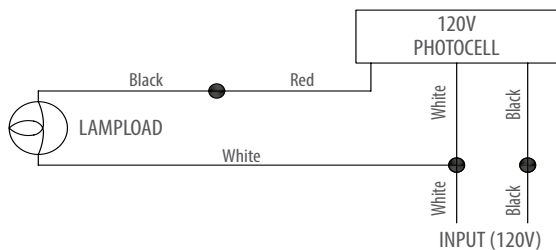
Photometrics



Dimensional Drawing



Wiring Instruction (With Photocell)





LED FIXTURE

SSL Series



90W~140W



30W~70W

LED Wall Pack SSL-WP1

Enhanced LED performance in a classic design, offers efficiently deliver lumens, and consume less energy than traditional wall pack MH technologies.



Features & Benefits

| | |
|---|---------------------------------------|
| CUL listed, DLC | Junction box or wall mounted directly |
| Available with lumen outputs from 3,400 to 16,400 lumens | CRI≥70, L70 @ 50,000 Hrs |
| LM-80 certified high performance and reliable lumileds LEDs | Voltage 120-277V/347V |
| Die-cast aluminum with durable dark bronze coat finish | Photocell Sensor optional |
| Wet location rated | Wall Pack Reflector optional |

Warranty

5-year limited warranty in commercial use from the date of purchase

Operating temperature range between -40°C and +40°C

Applications

Security, pathway and perimeter lighting, Building entryways and walkways

Product Specification

| Ordering Code | DLC | Model Number | Description | Wattage (W) | Input Voltage (V) | Hour Rating | Optics/ Distribution | Initial Delivered Lumens (lm) | CCT (K) | CRI | Dimension L×W×H(inch) | Case QTY. |
|---------------|-----|---|---|-------------|-------------------|-------------|----------------------|-------------------------------|---------|-----|-----------------------|-----------|
| 3664110 | Y | SSL-WP1/30W/50/UNV/DB | 30W Wall Pack, 50K, 100-277V, Dark Bronze | 30 | 100-277 | 50,000 | H110° × V100° | 3400 | 5000K | 70 | 14.21 x 7.40 x 9.25 | 1 |
| 3665108 | Y | SSL-WP1/45W/50/UNV/DB | 45W Wall Pack, 50K, 100-277V, Dark Bronze | 45 | 100-277 | 50,000 | H110° × V100° | 5300 | 5000K | 70 | 14.21 x 7.40 x 9.25 | 1 |
| 3665202 | Y | SSL-WP1/40W/50/347/DB | 40W Wall Pack 50K, 347V, Dark Bronze | 40 | 347 | 50,000 | H110° × V100° | 4700 | 5000K | 70 | 14.21 x 7.40 x 9.25 | 1 |
| 3666104 | Y | SSL-WP1/70W/50/UNV/DB | 70W Wall Pack, 50K, 100-277V, Dark Bronze | 70 | 100-277 | 50,000 | H110° × V100° | 8100 | 5000K | 70 | 14.21 x 7.40 x 9.25 | 1 |
| 3666203 | Y | SSL-WP1/60W/50/347/DB | 60W Wall Pack, 50K, 347V, Dark Bronze | 60 | 347 | 50,000 | H110° × V100° | 7000 | 5000K | 70 | 14.21 x 7.40 x 9.25 | 1 |
| 3666105 | Y | SSL-WP1/90W/50/UNV/DB | 90W Wall Pack, 50K, 120-277V, Dark Bronze | 90 | 120-277 | 50,000 | H110° x V90° | 11200 | 5000K | 70 | 18 x 8.75 x 9.75 | 1 |
| 3666210 | - | SSL-WP1/95W/50/347/DB | 95W Wall Pack, 50K, 347V, Dark Bronze | 95 | 347 | 50,000 | H110° x V90° | 8500 | 5000K | 70 | 18 x 8.75 x 9.75 | 1 |
| 3667102 | Y | SSL-WP1/135W/50/UNV/DB | 135W Wall Pack, 50K, 120-277V, Dark Bronze | 135 | 120-277 | 50,000 | H110° x V90° | 16400 | 5000K | 70 | 18 x 8.75 x 9.75 | 1 |
| 3667212 | Y | SSL-WP1/140W/50/347/DB | 140W Wall Pack, 50K, 347V, Dark Bronze | 140 | 347 | 50,000 | H110° x V90° | 14450 | 5000K | 70 | 19 x 8.75 x 9.75 | 1 |
| 3660001 | | SSL-WP/R/M | LED Wall Pack Reflector Medium 30W-70W | | | | | | | | | |
| 3660002 | | SSL-WP/R/L | SSL LED Wall Pack Reflector Large 90W-140W | | | | | | | | | |
| 3660003 | | SSL-WPCP/45W/PS | 45W Power Supply for Wall Pack & Canopy Light | | | | | | | | | |
| 3660004 | | SSL-WPCP/70W/PS | 70W Power Supply for Wall Pack & Canopy Light | | | | | | | | | |
| 3660005 | | SSL-WP/50W/75W/347/TS SSL-WP/145W/347/TS | 347V Transformer Set for 40W & 60W Wall Pack 347V Transformer Set for 95W & 140W Wall Pack | | | | | | | | | |
| 3660000 | | LC-105 | Photocell Sensor, for Wall Pack 120V application only | | | | | | | | | |
| | | AA-1068M, JL-403C | Photocell Sensor, for Wall Pack 277V & 347V application only ¹ | | | | | | | | | |

¹ Only applicable with 347V to 277V stepdown transformer; JL-403C for UNV & 347V application.



LED Wall Pack

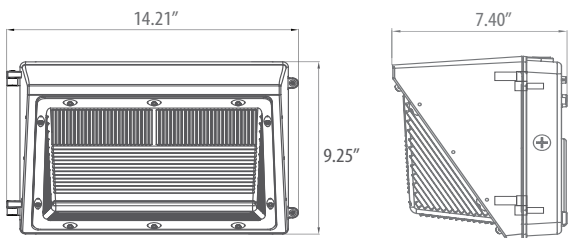
SSL-WP1

Ordering Information Example: SSL-WP1/30W/50/UNV/DB

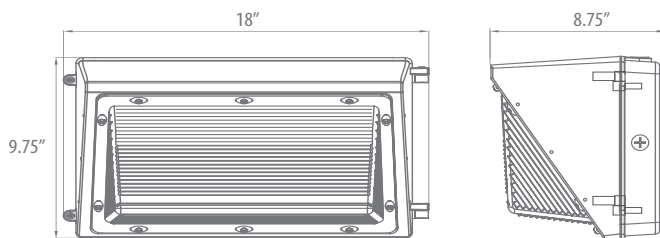
| Family Name | Fixture Type | Wattage | CCT | Voltage (V) | Body Finish | Mounting | Options |
|----------------------------|-----------------|---|------------|------------------------|------------------|----------|---|
| SSL (Solid State Lighting) | WP1 (Wall Pack) | 30W 45W, 40W 70W, 60W 95W, 90W 140W, 135W | 50 (5000K) | UNV (120-277V) 347V | DB (Dark Bronze) | Wall | Wall Pack Reflector Photocell Sensor |

Dimensional Drawing

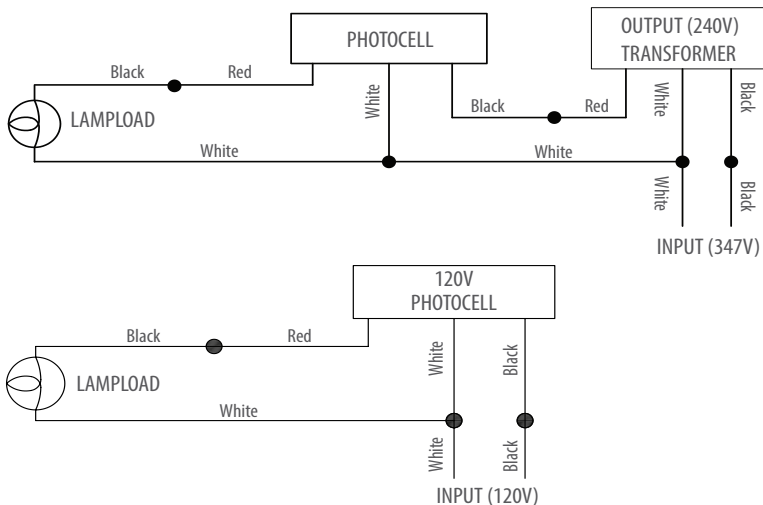
30W~70W OUTPUT



90W~140W OUTPUT



Wiring Instruction (With Photocell)





LED FIXTURE

SSL Series



90W~145W



45W~75W

Full Cutoff LED Wall Pack

SSL-WP3

Enhanced LED performance in a classic design, offer maximum light output for general purpose area and security lighting.



Features & Benefits

| | |
|---|---------------------------------------|
| CUL listed, DLC | Junction box or wall mounted directly |
| Available with lumen outputs from 3,400 to 16,400 lumens | CRI≥82, L70 @ 50,000 Hrs |
| LM-80 certified high performance and reliable lumileds LEDs | Voltage 120-277V/347V |
| Die-cast aluminum with durable dark bronze coat finish | Photocell Sensor optional |
| Wet location rated | |


Warranty

5-year limited warranty in commercial use from the date of purchase
 Operating temperature range between -40°C and +50°C

Applications

Security, pathway and perimeter lighting, Building entryways and walkways

Product Specification

| Ordering Code | DLC | Model Number | Description | Wattage (W) | Input Voltage (V) | Hour Rating | Optics/ Distribution | Initial Delivered Lumens (lm) | CCT (K) | CRI | Dimension L×W×H(inch) | Case QTY. |
|---------------|-----|------------------------|---|-------------|-------------------|-------------|----------------------|---|-----------|-----|-----------------------|-----------|
| 3665110 | Y | SSL-WP3/45W/50/UNV/DB | 45W Full Cut Off, 50K, 120-277V, Dark Bronze | 45 | 120-277 | 50,000 | TYPE III | 4900 | 5000K | 82 | 14.21 x 8.78 x 9.25 | 1 |
| 3665203 | Y | SSL-WP3/50W/50/347/DB | 50W Full Cut Off, 50K, 347V, Dark Bronze | 50 | 347 | 50,000 | TYPE III | 5000 | 5000K | 82 | 14.21 x 8.78 x 9.25 | 1 |
| 3666108 | Y | SSL-WP3/70W/50/UNV/DB | 70W Full Cut Off, 50K, 120-277V, Dark Bronze | 70 | 120-277 | 50,000 | TYPE III | 7350 | 5000K | 82 | 14.21 x 8.78 x 9.25 | 1 |
| 3666205 | Y | SSL-WP3/75W/50/347/DB | 75W Full Cut Off, 50K, 347V, Dark Bronze | 75 | 347 | 50,000 | TYPE III | 7500 | 5000K | 82 | 14.21 x 8.78 x 9.25 | 1 |
| 3666109 | Y | SSL-WP3/90W/50/UNV/DB | 90W Full Cut Off, 50K, 120-277V, Dark Bronze | 90 | 120-277 | 50,000 | TYPE III | 9500 | 5000K | 82 | 18.1 x 10.8 x 9.75 | 1 |
| 3666211 | - | SSL-WP3/95W/50/347/DB | 95W Full Cut Off, 50K, 347V, Dark Bronze | 95 | 347 | 50,000 | TYPE III | 9500 | 5000K | 82 | 18.1 x 10.8 x 9.75 | 1 |
| 3667103 | Y | SSL-WP3/135W/50/UNV/DB | 135W Full Cut Off, 50K, 120-277V, Dark Bronze | 135 | 120-277 | 50,000 | TYPE III | 14000 | 5000K | 82 | 18.1 x 10.8 x 9.75 | 1 |
| 3667204 | - | SSL-WP3/145W/50/347/DB | 145W Full Cut Off, 50K, 347V, Dark Bronze | 145 | 347 | 50,000 | TYPE III | 14000 | 5000K | 82 | 18.1 x 10.8 x 9.75 | 1 |
| 3660000 | | LC-105 | Photocell Sensor, for Wall Pack 120V application only | | | | |  | Photocell | | | |
| | | AA-1068M | Photocell Sensor, for Wall Pack 277V & 347V application only ¹ | | | | | | | | | |
| | | JL-403C | Photocell Sensor, for Wall Pack UNV & 347V application only ¹ | | | | | | | | | |

¹ Only applicable with 347V to 277V stepdown transformer



Full Cutoff LED Wall Pack

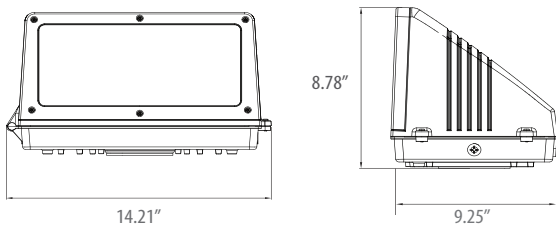
SSL-WP3

Ordering Information Example: SSL-WP3/45W/50/UNV/DB

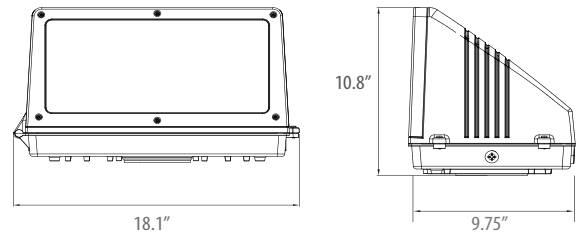
| Family Name | Fixture Type | Wattage | CCT | Voltage (V) | Body Finish | Mounting | Options |
|----------------------------|--------------------------------|--|------------|------------------------|------------------|----------|------------------|
| SSL (Solid State Lighting) | WP3 (Full Cutoff Wall Pack) | 50W, 45W 75W, 70W 95W, 90W 145W, 135W | 50 (5000K) | UNV (120-277V) 347V | DB (Dark Bronze) | Wall | Photocell Sensor |

Dimensional Drawing

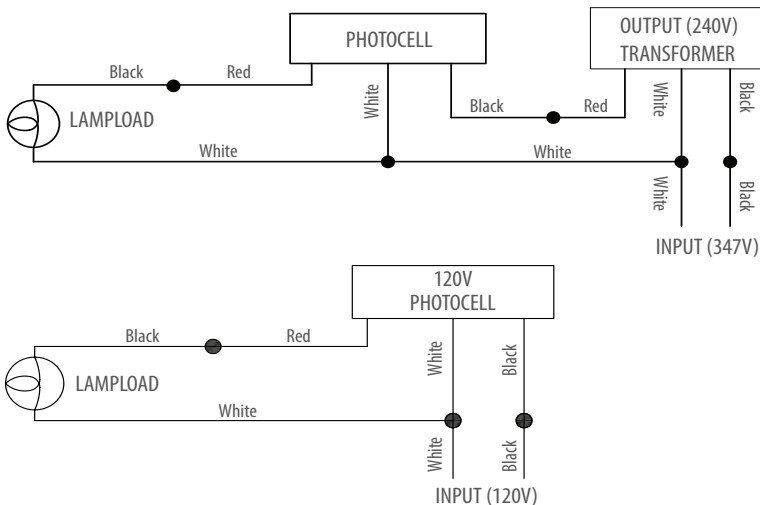
45W~75W OUTPUT



90W~145W OUTPUT



Wiring Instruction (With Photocell)





LED FIXTURE

SSL Series

LED Outdoor Commercial Entry Light SSL-DW1

Enhanced LED performance in a classic design, offers maximum light output for general purpose area and security lighting, efficiently deliver lumens, and consume less energy than traditional wall mount technologies.



Lens Clear

Lens Frost



Features & Benefits

CUL listed, DLC

Available with lumen outputs from 1600 to 2700 lumens

LM-80 certified high performance and reliable lumileds LEDs

Die-cast aluminum with durable dark bronze body finish

Wet location rated

Junction box or wall mounted directly

CRI≥70*, L70 @ 50,000 Hrs

PC Lens clear or frost optional

* For details, see product specification below

Warranty

5-year limited warranty in commercial use from the date of purchase

Operating temperature range between -40°C and +40°C

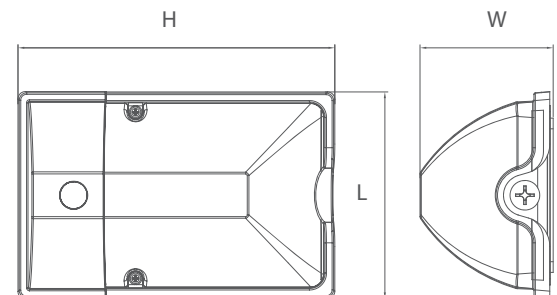
Product Specification

| Ordering Code | DLC | Model Number | Description | Wattage (W) | Input Voltage (V) | Hour Rating | Optics/ Distribution | Initial Delivered Lumens (lm) | CCT (K) | CRI | Dimension L×W×H(inch) | Case QTY. |
|---------------|-----|-------------------------|--|-------------|-------------------|-------------|----------------------|-------------------------------|---------|-----|-----------------------|-----------|
| 3662105 | Y | SSL-DW1/15W/50/120/F/DB | LED 15W, 50K, 120V, PC Lens Frost, Dark Bronze | 15 | 120 | 50,000 | H105° x V90° | 1600 | 5000K | 82 | 5.48 x 3.52 x 8.38 | 12 |
| 3663109 | Y | SSL-DW1/17W/50/120/F/DB | LED 17W, 50K, 120V, PC Lens Frost, Dark Bronze | 17 | 120 | 50,000 | H90° x V110° | 2000 | 5000K | 70 | 5.48 x 3.52 x 8.38 | 12 |
| 3664102 | Y | SSL-DW1/25W/50/120/F/DB | LED 25W, 50K, 120V, PC Lens Frost, Dark Bronze | 25 | 120 | 50,000 | H90° x V110° | 2700 | 5000K | 70 | 5.48 x 3.52 x 8.38 | 12 |
| 3663106 | Y | SSL-DW1/17W/50/120/C/DB | LED 17W, 50K, 120V, PC Lens Clear, Dark Bronze | 17 | 120 | 50,000 | H90° x V70° | 1700 | 5000K | 82 | 5.48 x 3.52 x 8.38 | 12 |
| 3664103 | Y | SSL-DW1/25W/50/120/C/DB | LED 25W, 50K, 120V, PC Lens Clear, Dark Bronze | 25 | 120 | 50,000 | H90° x V70° | 2600 | 5000K | 70 | 5.48 x 3.52 x 8.38 | 12 |

Applications

Security, entry ways, stairways, storage and perimeter areas, as well as residential exteriors

Dimensional drawing



Ordering Information Example: SSL-WP2/30W/50/UNV/DB/PS1

| Family Name | Fixture Type | Wattage | CCT | Voltage (V) | Lens | Body Finish |
|-------------------------------|---|-------------------|---------------|---------------|------------------------|---------------------|
| SSL (Solid State Lighting) | DW1 (Outdoor Commercial Entry Light) | 25W 17W 15W | 50 (5000K) | 120 (120V) | F (Frost) C (Clear) | DB (Dark Bronze) |



LED FIXTURE

SSL Series



LED Canopy SSL-CP1

Offers maximum light output for general purpose area and security lighting, efficiently deliver lumens, and consume less energy than traditional MH technologies



Features & Benefits

CUL listed, DLC

Available with lumen outputs from 4,200 to 6,700 lumens

LM-80 certified high performance and reliable CREE COB LEDs

Die-cast aluminum housing with black Colour body finish

Wet location rated

Pendant or surface mount

Voltage 120-277V/347V, support 0-10V dimmable*

CRI≥70*, L70 @ 50,000 Hrs

PC Lens clear or frost optional

* For details, see product specification below

Warranty

5-year limited warranty in commercial use from the date of purchase

Operating temperature range between -40°C and +40°C

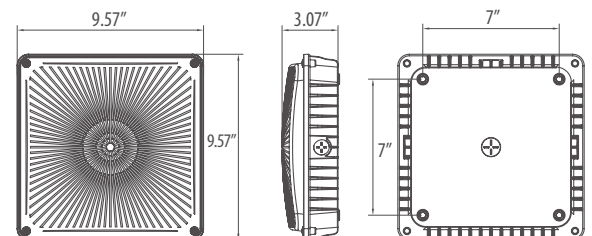
Product Specification

| Ordering Code | DLC | Model Number | Description | Wattage (W) | Input Voltage (V) | Hour Rating | Optics/ Distribution | Initial Delivered Lumens (lm) | CCT (K) | CRI | Dimension L×W×H(inch) | Case QTY. |
|---------------|-----|-------------------------|--|-------------|-------------------|-------------|----------------------|-------------------------------|---------|-----|-----------------------|-----------|
| 3665126 | Y | SSL-CP1S/45W/50/UNV/BK | SSL 45W LED Canopy Light, 50K, 120-277V, Ultra Thin, Black | 45 | 120-277 | 50,000 | H160° x V160° | 5300 | 5000K | 70 | 9.57 x 9.57 x 3.07 | 1 |
| 3665116 | Y | SSL-CP1/45W/50/UNV/BK/D | SSL 45W LED Canopy Light, 50K, 120-277V, Ultra Thin, Black, Dimmable | 45 | 120-277 | 50,000 | H160° x V160° | 4200 | 5000K | 70 | 9.57 x 9.57 x 3.07 | 1 |
| 3665201 | Y | SSL-CP1/45W/50/347/BK/D | SSL 45W LED Canopy Light, 50K, 347V, Ultra Thin, Black, Dimmable | 45 | 347 | 50,000 | H160° x V160° | 4200 | 5000K | 70 | 9.57 x 9.57 x 3.07 | 1 |
| 3666114 | Y | SSL-CP1/65W/50/UNV/BK/D | SSL 65W LED Canopy Light, 50K, 120-277V, Ultra Thin, Black, Dimmable | 65 | 120-277 | 50,000 | H160° x V160° | 6600 | 5000K | 70 | 9.57 x 9.57 x 3.07 | 1 |
| 3666209 | Y | SSL-CP1/65W/50/347/BK/D | SSL 65W LED Canopy Light, 50K, 347V, Ultra Thin, Black, Dimmable | 65 | 347 | 50,000 | H160° x V160° | 6700 | 5000K | 70 | 9.57 x 9.57 x 3.07 | 1 |

Applications

Parking structures, storage areas, shopping area walkways, entryway, and low level security

Dimensional drawing



Ordering Information Example: SSL-CP1/45W/50/UNV/BK/D

| Family Name | Fixture Type | Wattage | CCT | Voltage (V) | Body Finish | Dimmable |
|-------------------------------|--|------------|---------------|------------------------------|---------------|-------------------------------------|
| SSL (Solid State Lighting) | CP1 (Canopy) CP1S (High Lumen Canopy) | 65W 45W | 50 (5000K) | UNV (120~277V) 347 (347V) | BK (Black) | D(Dimmable) Blank (Non-Dimmable) |



LED FIXTURE

SSL Series



LED Canopy SSL-CP2

Ultra-thin design allows for use in low ceiling applications.



Features & Benefits

CUL listed, DLC qualified

Available with lumen outputs from 3,800 to 8,000 lumens

System light efficacy \geq 133 lm / W

Ultra light design, black body finish

Wet location listed

PIR sensor, emergency battery optional

Voltage 120-277V/347-480V, support 0-10V dimmable*

CRI \geq 70, L70 @ 50,000 Hrs

Suitable for J-BOX mounting, and pendant mounting

PC Lens clear

* For details, see product specification below

Warranty

5-year limited warranty in commercial use from the date of purchase

Operating temperature range between -40°C and +40°C

Applications

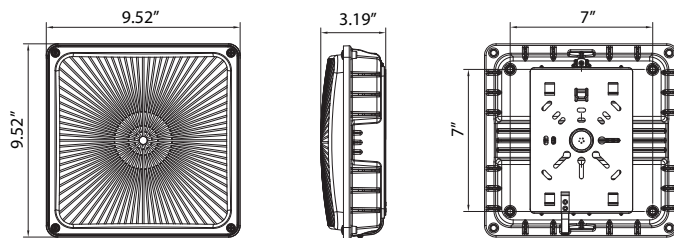
Parking structures, storage areas, shopping area walkways, entryway, and low level security

Product Specification

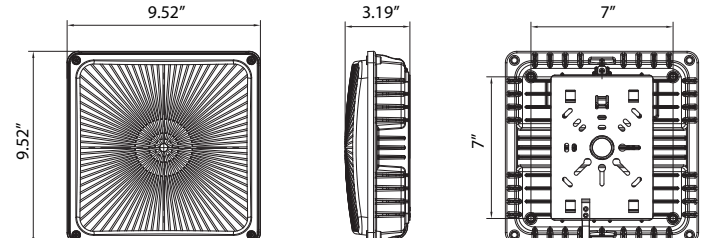
| Ordering Code | DLC | Model Number | Description | Wattage (W) | Input Voltage (V) | Hour Rating | Optics/ Distribution | Initial Delivered Lumens (lm) | CCT (K) | CRI | Dimension LxWxH(inch) | Case QTY. |
|---------------|-----|-------------------------|--|-------------|-------------------|-------------|----------------------|-------------------------------|---------|-----|-----------------------|-----------|
| 3664125 | Y | SSL-CP2/27W/50/UNV/BK | 27W, 50K, 120-277V, Black | 25 | 120-277 | 50,000 | H160° x V160° | 3800 | 5000K | 70 | 9.52 x 9.52 x 3.19 | 1 |
| 3664126 | Y | SSL-CP2/27W/50/UNV/BK/D | 27W, 50K, 120-277V, Black, 0-10V Dimming | 25 | 120-277 | 50,000 | H160° x V160° | 3800 | 5000K | 70 | 9.52 x 9.52 x 3.19 | 1 |
| 3665139 | Y | SSL-CP2/40W/50/UNV/BK | 40W, 50K, 120-277V, Black | 40 | 120-277 | 50,000 | H160° x V160° | 5450 | 5000K | 70 | 9.52 x 9.52 x 3.19 | 1 |
| 3665140 | Y | SSL-CP2/40W/50/UNV/BK/D | 40W, 50K, 120-277V, Black, 0-10V Dimming | 40 | 120-277 | 50,000 | H160° x V160° | 5450 | 5000K | 70 | 9.52 x 9.52 x 3.19 | 1 |
| 3665228 | Y | SSL-CP2/40W/50/HVU/BK/D | 40W, 50K, 347-480V, Black, 0-10V Dimming | 40 | 347-480 | 50,000 | H160° x V160° | 5450 | 5000K | 70 | 9.52 x 9.52 x 3.19 | 1 |
| 3666125 | Y | SSL-CP2/60W/50/UNV/BK | 60W, 50K, 120-277V, Black | 60 | 120-277 | 50,000 | H160° x V160° | 8000 | 5000K | 70 | 9.52 x 9.52 x 3.19 | 1 |
| 3666126 | Y | SSL-CP2/60W/50/UNV/BK/D | 60W, 50K, 120-277V, Black, 0-10V Dimming | 60 | 120-277 | 50,000 | H160° x V160° | 8000 | 5000K | 70 | 9.52 x 9.52 x 3.19 | 1 |
| 3666231 | Y | SSL-CP2/60W/50/HVU/BK/D | 60W, 50K, 347-480V, Black, 0-10V Dimming | 60 | 347-480 | 50,000 | H160° x V160° | 8000 | 5000K | 70 | 9.52 x 9.52 x 3.19 | 1 |

Dimensional drawing

Net Weight: 27W: 3.615lb 40W: 4.166lb



Net Weight: 60W: 5.070lb



Ordering Information Example: SSL-CP2/27W/50/UNV/BK/D

| Family Name | Fixture Type | Wattage | CCT | Voltage (V) | Body Finish | Dimmable | Options |
|----------------------------|------------------|---------------|------------|--------------------------------|-------------|------------------------------------|------------------|
| SSL (Solid State Lighting) | CP2 (LED Canopy) | 25W, 40W, 60W | 50 (5000K) | UNV (120~277V), HVU (347~480V) | BK (Black) | D (Dimmable), Blank (Non-Dimmable) | TL-2052 (Sensor) |



LED FIXTURE

RIGID Series

LED Flush Mount (2 Ring) RGD-FM/----/2R

LED double ring designed, deliver maximum light levels, ideal for low ceilings



sensor built-in



Features & Benefits

CUL listed, Energy Star

Size 14", 18" available

CRI >80, 120° Beam spread

120V input voltage, PF >0.9

L70 @ 50,000 Hrs

TRIAC dimmable down to 10%

Microwave sensor optional, 100% to preset 30% dim

Brushed Oxidation finish, PMMA Opal lens

Damp location approved

Non-IC rated

Multi-K 14" selectable CCT 3000/4000/5000K

Warranty

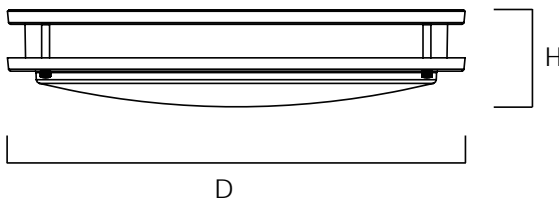
5-year limited warranty in commercial use from the date of purchase

Operating temperature range between -20°C and +40°C

Applications

Bedrooms, living rooms, hallways, kitchens and etc

Dimensional drawing



| | D | H |
|------------------------------|-----|------|
| RGD-FM14 | 14" | 3.8" |
| RGD-FM14 (with MC sensor) | 14" | 3.8" |
| RGD-FM18 | 18" | 3.8" |



LED Flush Mount (2 Ring)

RGD-FM/----/2R

Ordering Information Example: RGD-FM14/21W/30/D/2R

| Family Name | Fixture Type | Size | Wattage | CCT (Kelvin) | Dimmable Option | Body |
|-------------|-----------------------------|-----------------------|-------------------|---|--------------------------------------|------------------|
| RGD (Rigid) | FM (Flush Mount, 2 Ring) | 14 (14") 18 (18")* | 21W 28W 22W | 40 (4000K) 30 (3000K) Multi-K (3000/4000/5000K) | D (Dimmable) S (Microwave Sensor) | 2R (Double Ring) |

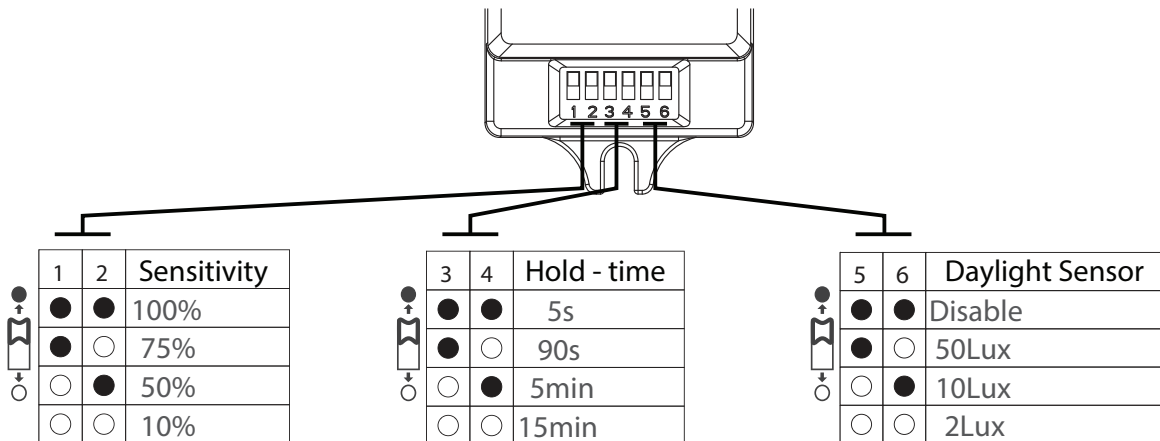
* Sensor not available

Product Specification

| Ordering Code | Energy Star | Model Number | Description | Wattage (W) | Input Voltage (V) | Hour Rating | Initial Delivered Lumens (lumen) | CCT (K) | CRI | Damp Location | M.O.D. (inch) | Dimmable | Option Sensor | Case QTY. |
|---------------|-------------|---------------------------|---------------------------------------|-------------|-------------------|-------------|----------------------------------|----------------|-----|---------------|---------------|----------|---------------|-----------|
| 3684102 | Y | RGD-FM14/21W/30/D/2R | LED 14" 21W 3000K 2 Ring | 21 | 120 | 50,000 | 1500 | 3000 | 80 | Y | 14 | Y | - | 6 |
| 3684103 | Y | RGD-FM14/21W/40/D/2R | LED 14" 21W 4000K 2 Ring | 21 | 120 | 50,000 | 1500 | 4000 | 80 | Y | 14 | Y | - | 6 |
| 3664120 | Y | RGD-FM14/21W/30/S/2R | LED 14" 21W 3000K 2 Ring, with sensor | 21 | 120 | 50,000 | 1470 | 3000 | 80 | Y | 14 | N | Y | 6 |
| 3664121 | Y | RGD-FM14/21W/40/S/2R | LED 14" 21W 4000K 2 Ring with sensor | 21 | 120 | 50,000 | 1470 | 4000 | 80 | Y | 14 | N | Y | 6 |
| 3684104 | Y | RGD-FM18/28W/30/D/2R | LED 18" 28W 3000K 2 Ring | 28 | 120 | 50,000 | 2000 | 3000 | 80 | Y | 18 | Y | - | 4 |
| 3684105 | Y | RGD-FM18/28W/40/D/2R | LED 18" 28W 4000K 2 Ring | 28 | 120 | 50,000 | 2000 | 4000 | 80 | Y | 18 | Y | - | 4 |
| 3674100 | Y | RGD-FM14/22W/MULTI-K/D/2R | LED 14" 22W 3000/4000/5000K 2 Ring | 22 | 120 | 50,000 | 1600 | 3000/4000/5000 | 80 | Y | 14 | Y | - | 6 |

Sensor Adjustment

Default sensor setting: sensitivity **50%**, hold-time **90s**, daylight sensor **disable**.



Sensitivity is the level where motion is detected, a higher sensitivity detects motion easier.

Hold-time is the duration that the light will stay on after motion is detected before switching down to approximate 30% light output once motion is not present.

Daylight sensor will set the trigger point of the photocell to determine when the sensor will detect daylight and not operate the light unnecessarily.



LED FIXTURE

RIGID Series

LED Flush Mount (PC) RGD-FM/----/PC

Traditional and eye-catching design, deliver maximum light levels, ideal for low ceilings



Features & Benefits

| | |
|---------------------------|-----------------------------|
| CUL listed, Energy Star | TRIAC dimmable down to 10% |
| Size 13", 19" available | PMMA diffuser, white finish |
| CRI >80, 120° Beam spread | Damp location approved |
| 120V input voltage | |
| L70 @ 50,000 Hrs | |

Warranty

5-year limited warranty in commercial use from the date of purchase
Operating temperature range between -20°C and +40°C

Product Specification

| Ordering Code | Energy Star | Model Number | Description | Wattage (W) | Input Voltage (V) | Hour Rating | Initial Delivered Lumens (lumen) | CCT (K) | CRI | Damp Location | M.O.D. (inch) | Case QTY. |
|---------------|-------------|----------------------|----------------------------------|-------------|-------------------|-------------|----------------------------------|---------|-----|---------------|---------------|-----------|
| 3684102 | Y | RGD-FM13/18W/30/D/PC | LED Flush Mount 13" 18W 3000K PC | 18 | 120 | 50,000 | 1300 | 3000 | 80 | Y | 13 | 6 |
| 3684103 | Y | RGD-FM13/18W/40/D/PC | LED Flush Mount 13" 18W 4000K PC | 18 | 120 | 50,000 | 1300 | 4000 | 80 | Y | 13 | 6 |
| 3664120 | Y | RGD-FM19/32W/30/D/PC | LED Flush Mount 19" 32W 3000K PC | 32 | 120 | 50,000 | 2300 | 3000 | 80 | Y | 19 | 4 |
| 3664121 | Y | RGD-FM19/32W/40/D/PC | LED Flush Mount 19" 32W 4000K PC | 32 | 120 | 50,000 | 2300 | 4000 | 80 | Y | 19 | 4 |

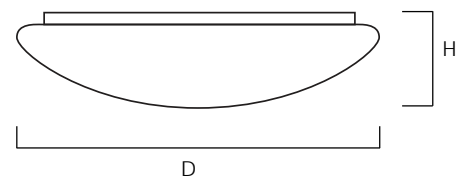
Applications

Bedrooms, living rooms, hallways, kitchens and etc

Ordering Information Example: RGD-FM13/18W/30/D/PC

| Family Name | Fixture Type | Size | Wattage | CCT (Kelvin) | Dimmable | Body |
|-------------|-------------------------|----------------------|------------|--------------------------|-------------|-----------------------|
| RGD (Rigid) | FM (Flush Mount, PC) | 13 (13") 19 (19") | 18W 32W | 40 (4000K) 30 (3000K) | D(Dimmable) | PC (Polycarbonate) |

Dimensional drawing



| | D | H |
|----------|-----|-------|
| RGD-FM13 | 13" | 3.44" |
| RGD-FM19 | 19" | 3.44" |



LED FIXTURE

RIGID Series



LED Slim Panel RGD-SP

Slim design allows it to be installed in low plenum ceilings.



Features & Benefits

- Type IC Rated – approved for direct contact with insulation, FT4 rated cable
- Isolated internal driver in junction box – fast and easy to install
- Range of sizes (4", 6", 8" available)
- Finish Color White (Black and Brush Nickel trim ring)
- Wet location rated
- J-Box c/w 3x3 wire quick connectors, allowing for easy through wiring
- Interchangeable trim ring for black or brushed nickel finish

- Energy Star approved*
- L70 @ 50,000 Hrs
- Dimmable Triac
- High CRI (80+)
- 120V LED Driver, PF>0.9
- PC lens aluminium body

Warranty

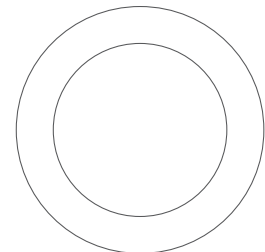
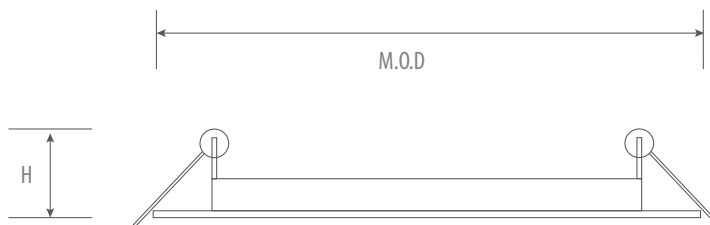
- 5-year limited warranty in commercial use from the date of purchase
- Operating temperature range between -20°C and +40°C

Applications

Residential / Commercial, Schools, Retirement Homes, University, Supermarkets, Shops, Hotels, Conference Rooms, Office Lighting, Show Room, Corridor, Kitchens etc.

* ES under qualifying process Q2, 2018

Dimensional drawing



| | M.O.D | Cut-Out | H |
|-----|-------|---------|-------|
| SP4 | 4.75" | 4.06" | 1.25" |
| SP6 | 6.75" | 5.91" | 1.25" |
| SP8 | 9.13" | 8.07" | 1.25" |



LED Slim Panel

RGD-SP

Ordering Information Example: RGD-SP/4/8.5W/30/WH/D

| Family Name | Fixture Type | Size | Wattage | CCT (Kelvin) | Finish Color | D | Options |
|-------------|-----------------|----------------------------|------------------------|--------------------------|--------------|--------------|---|
| RGD (Rigid) | SP (Slim Panel) | 4 (4") 6 (6") 8 (8") | 8.5W 10.5W 24.5W | 30 (3000K) 40 (4000K) | WH (White) | D (Dimmable) | Black Trim Ring Brush Nickel Trim Ring |

Product Specification

| Ordering Code | ES | Model Number | Wattage (W) | Input Voltage (V) | Hour Rating | Initial Lumens (lumen) | CCT (K) | CRI | Wet Location | Damp Location | Dimension D×H (inch) | Case QTY. |
|---------------|-----|------------------------|---|-------------------|-------------|------------------------|---------|-----|--------------|---------------|----------------------|-----------|
| 3662113 | Yes | RGD-SP/4/8.5W/30/WH/D | 8.5 | 120 | 50,000 | 550 | 3000 | >80 | Yes | Yes | 4 3/4" × 1 1/4" | 6 |
| 3662116 | Yes | RGD-SP/4/8.5W/40/WH/D | 8.5 | 120 | 50,000 | 550 | 4000 | >80 | Yes | Yes | 4 3/4" × 1 1/4" | 6 |
| 3662119 | Yes | RGD-SP/6/10.5W/30/WH/D | 10.5 | 120 | 50,000 | 900 | 3000 | >80 | Yes | Yes | 6 3/4" × 1 1/4" | 6 |
| 3662122 | Yes | RGD-SP/6/10.5W/40/WH/D | 10.5 | 120 | 50,000 | 900 | 4000 | >80 | Yes | Yes | 6 3/4" × 1 1/4" | 6 |
| 3664112 | Yes | RGD-SP/8/24.5W/30/WH/D | 24.5 | 120 | 50,000 | 2100 | 3000 | >80 | Yes | Yes | 9 1/8" × 1 1/4" | 6 |
| 3664114 | Yes | RGD-SP/8/24.5W/40/WH/D | 24.5 | 120 | 50,000 | 2100 | 4000 | >80 | Yes | Yes | 9 1/8" × 1 1/4" | 6 |
| 3662114 | | RGD-SP/4/BK | RIGID 4" Slim Panel, Black Trim Ring | | | 4 3/4" | | | | | | |
| 3662115 | | RGD-SP/4/BN | RIGID 4" Slim Panel, Brush Nickel Trim Ring | | | 4 3/4" | | | | | | |
| 3662120 | | RGD-SP/6/BK | RIGID 6" Slim Panel, Black Trim Ring | | | 6 3/4" | | | | | | |
| 3662121 | | RGD-SP/6/BN | RIGID 6" Slim Panel, Brush Nickel Trim Ring | | | 6 3/4" | | | | | | |
| 3664113 | | RGD-SP/8/BN | RIGID 8" Slim Panel, Brush Nickel Trim Ring | | | 9 1/8" | | | | | | |
| 3664115 | | RGD-SP/8/BN | RIGID 8" Slim Panel, Brush Nickel Trim Ring | | | 9 1/8" | | | | | | |



LED FIXTURE

RIGID Series

LED Downlight With J-Box RGD-DLJ

LED downlight with integral junction box for easy and fast installation



Features & Benefits

cETL listed, Energy Star

Size 6", 8" available

6" CRI ≥92, 97° Beam spread
8" CRI ≥81, 94° Beam spread

120V input voltage

Dimmable

L70 @ 50,000 Hrs

6" Wet location approved
8" Damp location approved

Warranty

5-year limited warranty in commercial use from the date of purchase

Operating temperature range between -20°C and +40°C

Product Specification

| Ordering Code | Energy Star | Model Number | Description | Wattage (W) | Input Voltage (V) | Hour Rating | Beam Angle | Initial Delivered Lumens (lumen) | CCT (K) | CRI | Wet Location | Damp Location | M.O.D. (inch) | Case QTY. |
|---------------|-------------|--------------------|--|-------------|-------------------|-------------|------------|----------------------------------|---------|-----|--------------|---------------|---------------|-----------|
| 3662106 | Y | RGD-DLJ/6/15W/30/D | Downlight with J-Box 6" 15W 30K Dimmable | 15 | 120 | 50,000 | 97° | 1000 | 3000 | 92 | Y | - | 7.3 | 12 |
| 3662107 | Y | RGD-DLJ/6/15W/35/D | Downlight with J-Box 6" 15W 35K Dimmable | 15 | 120 | 50,000 | 97° | 1000 | 3500 | 92 | Y | - | 7.3 | 12 |
| 3662108 | Y | RGD-DLJ/6/15W/40/D | Downlight with J-Box 6" 15W 40K Dimmable | 15 | 120 | 50,000 | 97° | 1050 | 4000 | 94 | Y | - | 7.3 | 12 |
| 3665117 | Y | RGD-DLJ/8/35W/30/D | Downlight with J-Box 8" 35W 30K Dimmable | 35 | 120 | 50,000 | 94° | 2600 | 3000 | 81 | - | Y | 9.1 | 6 |
| 3665118 | Y | RGD-DLJ/8/35W/35/D | Downlight with J-Box 8" 35W 35K Dimmable | 35 | 120 | 50,000 | 94° | 2600 | 3500 | 81 | - | Y | 9.1 | 6 |
| 3665119 | Y | RGD-DLJ/8/35W/40/D | Downlight with J-Box 8" 35W 40K Dimmable | 35 | 120 | 50,000 | 94° | 2700 | 4000 | 81 | - | Y | 9.1 | 6 |

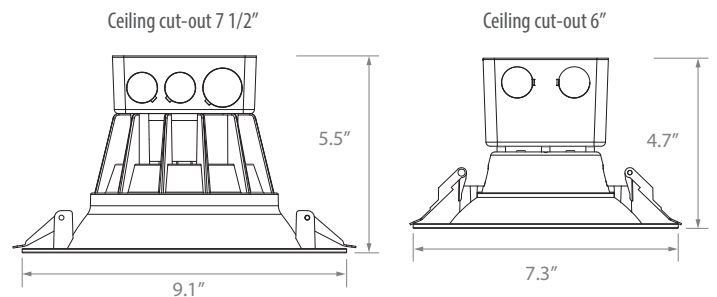
Applications

Residential / Institution Lighting, School, Colleges, University and Hospitals, Supermarkets, Shops, Hotels, Conference Rooms, Office Lighting, Show Room, Corridor, Kitchen Room and etc.

Ordering Information Example: RGD-DLJ/6/15W/30/D

| Family Name | Fixture Type | Size | Wattage | CCT (Kelvin) | Dimmable |
|-------------|-------------------------------|------------------|------------|--|-------------|
| RGD (Rigid) | DLJ (Downlight with J-Box) | 6 (6") 8 (8") | 35W 15W | 40 (4000K) 35 (3500K) 30 (3000K) | D(Dimmable) |

Dimensional drawing





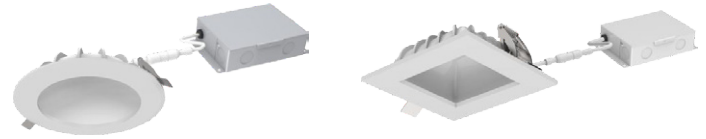
LED FIXTURE

RIGID Series



Round

Square



LED Ceiling Dome Light RGD-CD

LED 4" & 6" ceiling dome light, round / square shape



Features & Benefits

cETL listed

Special design to reduce glare for a better quality of light

Gentle light comes out after being redirected off of the reflector lighting without a visible light source

Die-cast aluminum body material with good heat dissipation

White, Black Finish available

L70 @ 50,000 HRS

120V

Triac dimming

High CRI (80+)

Damp location rated (with feed through wiring)

Independent drive junction box, with quick connects FT4 cable

Warranty

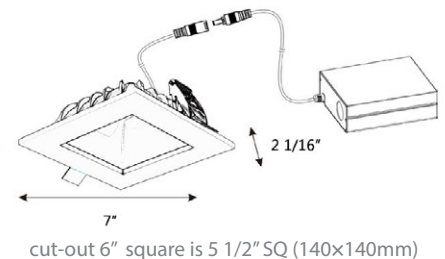
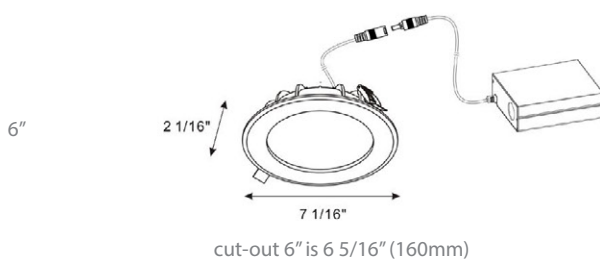
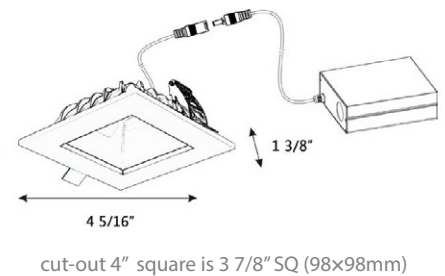
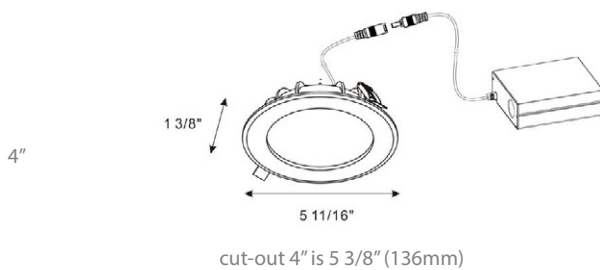
3-year limited warranty in commercial use from the date of purchase

Operating temperature range between -20°C and +40°C

Applications

Residential / Commercial, Schools, Retirement Homes, University, Supermarkets, Shops, Hotels, Conference Rooms, Office Lighting, Show Room, Corridor, Kitchens, vestibules, wall niche and etc.

Dimensional drawing





LED Ceiling Dome Light

RGD-CD

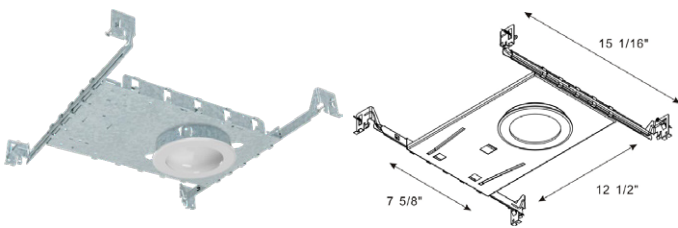
Ordering Information Example: RGD-CD/4/10W/30/D/WH

| Family Name | Fixture Type | Size | Shape | Wattage | CCT | Dimmable | Body Finish | Options |
|-------------|-------------------|------------------|-----------------------------|------------|------------|--------------|--------------------------|--|
| RGD (Rigid) | CD (Ceiling Dome) | 4 (4") 6 (6") | Blank (Round) S (Square) | 10W 14W | 30 (3000K) | D (Dimmable) | WH (White) BK (Black) | CD-NC4R CD-NC4S CD-NC6R CD-NC6S |

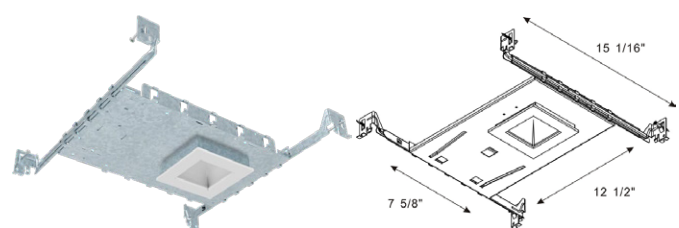
Product Specification

| Ordering Code | Model Number | Wattage (W) | Input Voltage (V) | Hour Rating | Initial Delivered Lumens (lumen) | CCT (K) | CRI | Damp Location* | M.O.D (inch) | M.O.H (inch) |
|---------------|------------------------|---|-------------------|-------------|----------------------------------|---------|-----|----------------|--------------|--------------|
| 3662128 | RGD-CD/4/10W/30/D/WH | 10 | 120V | 50,000 | 650 | 3000K | >80 | Yes | 5 11/16" | 1 3/8" |
| 3662129 | RGD-CD/6/14W/30/D/WH | 14 | 120V | 50,000 | 850 | 3000K | >80 | Yes | 7 1/16" | 2 1/16" |
| 3662130 | RGD-CD/4/S/10W/30/D/WH | 10 | 120V | 50,000 | 650 | 3000K | >80 | Yes | 4 5/16" | 1 3/8" |
| 3662131 | RGD-CD/6/S/14W/30/D/WH | 14 | 120V | 50,000 | 850 | 3000K | >80 | Yes | 7" | 2 1/16" |
| 3660064 | CD-NC4R | Ceiling dome light, new construction mounting plate for round 4" | | | | | | | | |
| 3660065 | CD-NC6R | Ceiling dome light, new construction mounting plate for round 6" | | | | | | | | |
| 3660066 | CD-NC4S | Ceiling dome light, new construction mounting plate for square 4" | | | | | | | | |
| 3660067 | CD-NC6S | Ceiling dome light, new construction mounting plate for square 6" | | | | | | | | |

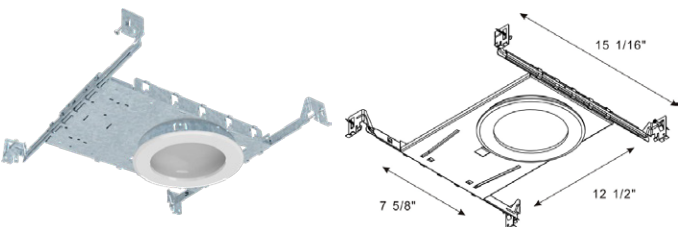
* Damp location rated (with feed through)



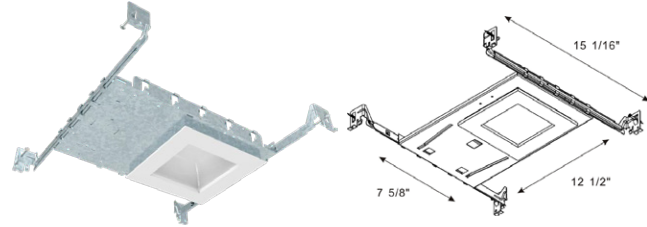
CD-NC4R



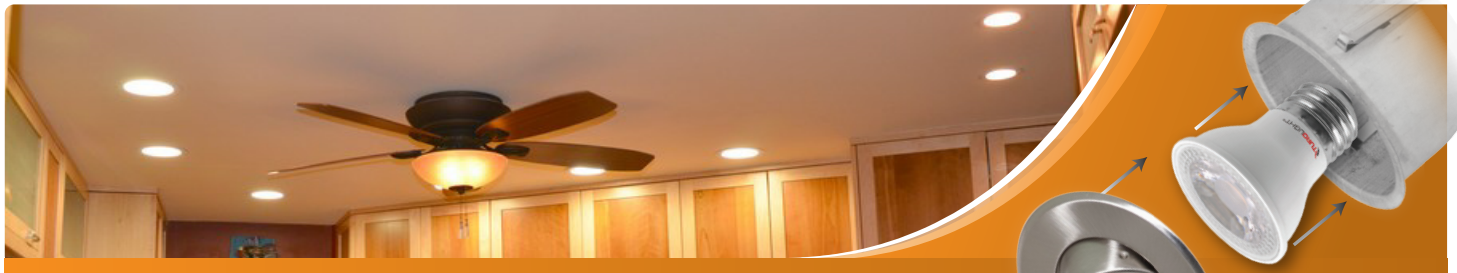
CD-NC4S



CD-NC6R



CD-NC6S



Turolight's 4" recessed down light fixtures are manufactured with the highest quality of components available. Designed for use in either insulated or non-insulated ceilings, our housings are available in new construction or remodel.

Customize your down light with our TUFF trims which are available in a variety of finishes. For best results use with Turolight's HD™/VIVID™/PV™ series LED JDR/MR16 and PAR20 lamps.



Contractor friendly, Easy to use, Easy to install

PL-H4R 4" REMODEL NON-INSULATED

- Fully assembled housing with two pre-installed remodel clips easily secure the housing to any ceiling material
- Quick connects supplied for ease of wiring
- For use in non-insulated ceilings
- Thermally protected 50W Maximum

PL-H4RICAT 4" REMODEL INSULATED

- Fully assembled housing with two pre-installed remodel clips easily secure the housing to any ceiling material
- Quick connects supplied for ease of wiring
- For use in insulated ceilings
- Thermally protected 10W Maximum

PL-H4NIC 4" NEW CONSTRUCTION NON-INSULATED

- Fully assembled housing with pre-installed adjustable hanger-bars
- Quick connects supplied for ease of wiring
- For use in non-insulated ceilings
- Thermally protected 50W Maximum

PL-H4ICAT 4" NEW CONSTRUCTION INSULATED, AIR TIGHT

- Fully assembled housing with pre-installed adjustable hanger-bars
- Quick connects supplied for ease of wiring
- For use in insulated ceilings
- Thermally protected 50W Maximum

Accessories

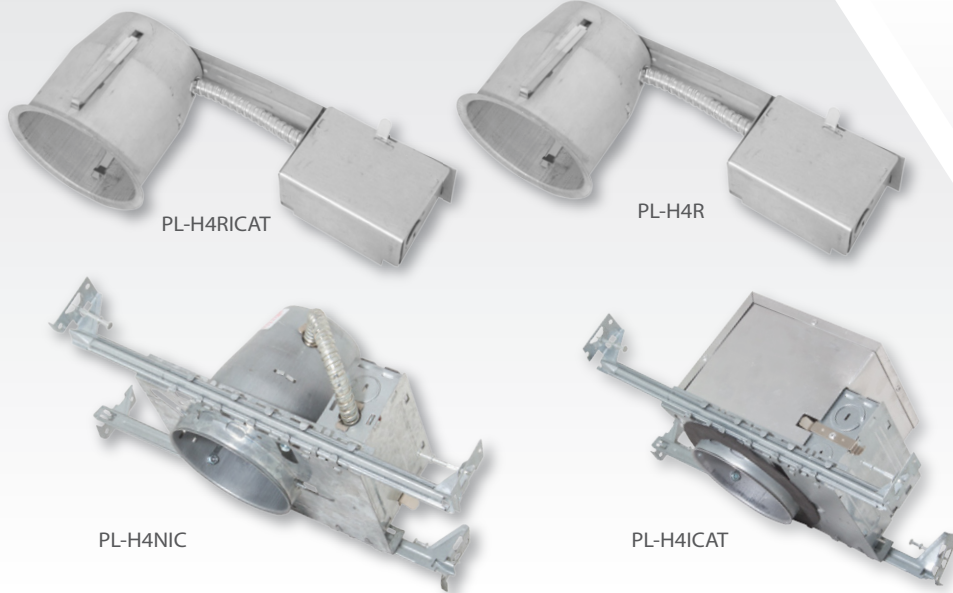
- Vapour Barrier - Fits all 4" housings
- 4" Mounting Plate

Turolight Recommend

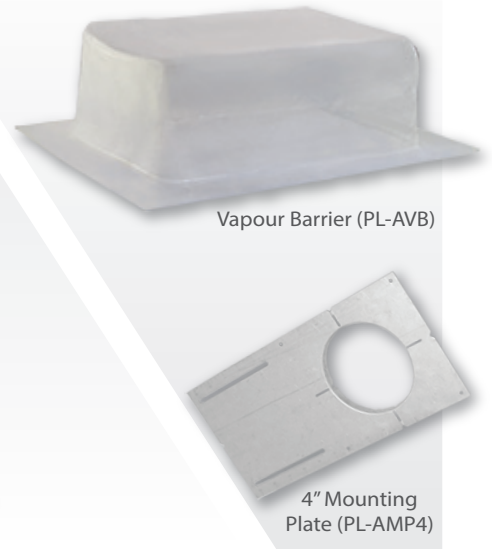
- HD™ - Premium Choice
- VIVID™ - Performance Choice
- PV™ - Pure Value



POT LIGHT FIXTURES



ACCESSORIES



TRIM



POT LIGHT FIXTURES

| Order Code | Model Number | Description | Case Qty. |
|------------|--------------|--|-----------|
| 3465100 | PL-H4ICAT | New construction for insulated ceiling, 50W max, E26(PAR20/MR16) | 6 |
| 3465101 | PL-H4NIC | New construction for non-insulated ceiling, 50W max, E26(PAR20/MR16) | 6 |
| 3465102 | PL-H4R | Remodeler for non-insulated ceiling, 50W max, E26(PAR20/MR16) | 6 |
| 3465112 | PL-H4RICAT | Remodeler for insulated ceiling, air tight 10W max, E26(PAR20/MR16) | 6 |

Trim

| Order Code | Model Number | Description | Case Qty. |
|------------|---------------|--|-----------|
| 3465103 | PL-T4GR/20/MW | 4" adjustable gimbal ring trim, matte white, PAR20 | 24 |
| 3465104 | PL-T4GR/16/GW | 4" adjustable gimbal ring trim, glossy white, MR16 | 24 |
| 3465108 | PL-T4GR/20/BN | 4" adjustable gimbal ring trim, bush nickle, PAR20 | 24 |
| 3465109 | PL-T4GR/16/BN | 4" adjustable gimbal ring trim, brush nickle, MR16 | 24 |
| 3465110 | PL-T4SH/20 | 4" white shower trim, PAR20 | 24 |
| 3465111 | PL-T4SH/16 | 4" white shower trim, MR16/PAR16 | 24 |

Accessory

| Order Code | Model Number | Description | Case Qty. |
|------------|--------------|----------------------------|-----------|
| 3465105 | PL-AMP4 | 4" aperture mounting plate | 24 |
| 3465106 | PL-AVB | Vapour barrier | 50 |

Turolight reserves the right to change specifications, modify designs and discontinue items without incurring obligation. Every effort is made to ensure that descriptions, specifications and other information in this data sheet are correct. No warranty is given in respect thereof and the company shall not be liable for any error therein.

© Turolight, Inc®.

This material is copyright. Except as permitted, no part of this work may be reproduced by any process without prior written permission of and acknowledgement to Turolight, Inc.

The identified trademarks and copyrights are the property of Turolight® unless otherwise noted.

You can find this data sheet and many others online in PDF format at:

www.turolight.com

Distributed by:



LED FIXTURE

TL Series



LED Emergency

TL-EM001

Twin Head LED Emergency Light



Features & Benefits

- Injection-molded thermoplastic housing

- Easy installation

- Ni-cd battery backup for 90 minutes

- Universal (wall, ceiling) mounting

- 2W x 2 SMD LED adjustable heads

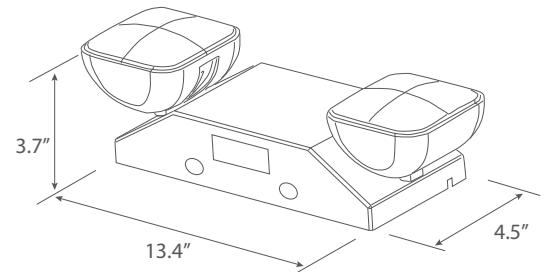
- 120/347VAC input voltage

- cUL listed / IP20

- Test switch and charge indicator light

- UL-94V-0 flame rating, fire-retardant

Dimensional Drawing



Warranty

- 5-year limited warranty in commercial use from the date of purchase

- Operating temperature range between -10°C and +40°C

Ordering Information Example: TL-RMES003

| Family Name | Fixture Type | Model |
|----------------|----------------------|--------------------------------------|
| TL (Turolight) | EM (Emergency Light) | 001 (Twin Head LED Emergency Light) |

Product Specification

| Ordering Code | Model Number | Description | Wattage (W) | Input Voltage (V) | Mounting | Self Powered Battery | Damp Location | Dimensions LxW (inch) | Case QTY. |
|---------------|--------------|-----------------------------------|-------------|-------------------|---------------|----------------------|---------------|-----------------------|-----------|
| 3461211 | TL-EM001 | Twin Head LED Emergency - AC only | 4W | 120/347VAC | wall, ceiling | Yes (90 minutes) | Yes | 13.4x4.5 | 6 |



LED FIXTURE

TL Series

LED Emergency

TL-EM002, TL-EM003

LED Emergency Remote Head



TL-EM003



TL-EM002



Features & Benefits

Injection-molded thermoplastic housing

Easy installation

UL-94V-0 flame rating, fire-retardant

Universal (wall, ceiling) mounting

2W x 2 SMD LED heads (TL-EM002)

2W SMD LED head (TL-EM003)

3.6-24 VDC input voltage

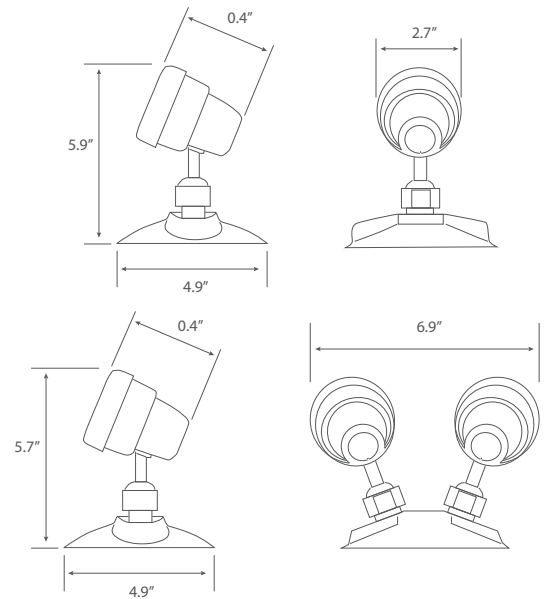
cUL listed / IP20

Warranty

5-year limited warranty in commercial use from the date of purchase

Operating temperature range between -10°C and +40°C

Dimensional Drawing



Ordering Information Example: TL-RMES003

| Family Name | Fixture Type | Model |
|----------------|----------------------|--|
| TL (Turolight) | EM (Emergency Light) | 002 (LED Emergency 2 Remote Heads) 003(LED Emergency 1 Remote Head) |

Product Specification

| Ordering Code | Model Number | Description | Wattage (W) | Input Voltage | Mounting | Remote Capable | Self Powered Battery | Damp Location | Dimensions LxW (inch) | Case QTY. |
|---------------|--------------|------------------------------|-------------|---------------|---------------|----------------|----------------------|---------------|-----------------------|-----------|
| 3461112 | TL-EM002 | LED Emergency 2 Remote Heads | 4W | 3.6-24VDC | wall, ceiling | Yes | No | Yes | 5.9 x 4.9 | 6 |
| 3461113 | TL-EM003 | LED Emergency 1 Remote Head | 2W | 3.6-24VDC | wall, ceiling | Yes | No | Yes | 5.7 x 4.9 | 6 |



LED FIXTURE

TL Series

LED Emergency

TL-RMES003

"Running Man" LED Emergency Combo Sign



Features & Benefits

- Injection-molded thermoplastic housing

- Easy installation

- Ni-cd battery backup for 90 minutes

- Universal (wall, ceiling) mounting

- 2W x 2 SMD LED adjustable heads

- 120/347VAC input voltage

- 3 Pictograms included, single/ double face

- cUL listed / IP20

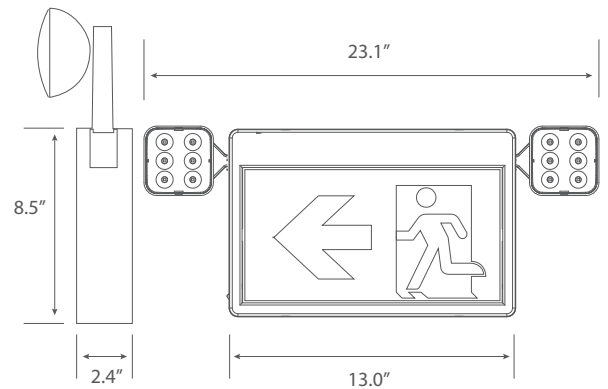
- Test switch and charge indicator light

Warranty

- 5-year limited warranty in commercial use from the date of purchase

- Operating temperature range between 0°C and +40°C

Dimensional Drawing



Arrow 2pcs



Without Arrow 1pc

Ordering Information Example: TL-RMES003

| Family Name | Fixture Type | Model |
|----------------|-------------------------------------|----------------------------|
| TL (Turolight) | RMES ("Running Man" Emergency Sign) | 003 (Emergency Combo Sign) |

Product Specification

| Ordering Code | Model Number | Description | Wattage (W) | Input Voltage (V) | Mounting | Self Powered Battery | Damp Location | Dimensions LxWxH (inch) | Case QTY. |
|---------------|--------------|---|-------------|-------------------|---------------|----------------------|---------------|-------------------------|-----------|
| 3461210 | TL-RMES003 | "Running Man" LED Emergency Sign, White Housing AC only | 3W | 120/347VAC | wall, ceiling | Yes (90 minutes) | Yes | 13.0 x 8.5 x 2.4 | 6 |



LED FIXTURE

TL Series

LED Emergency

TL-RMES101

"Running Man" LED Emergency Sign



Features & Benefits

Injection-molded thermoplastic housing

Easy installation

Ni-cd battery backup for 90 minutes

Universal (wall, ceiling) mounting

SMD LED

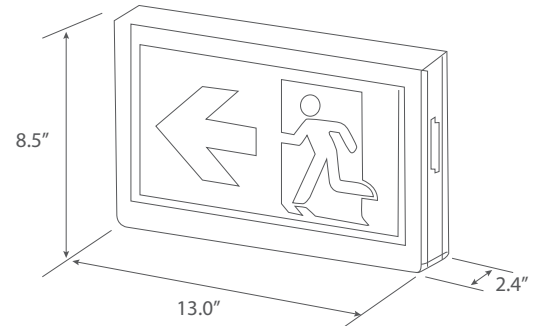
120/347VAC input voltage

3 Pictograms included, single/ double face

cUL listed / IP20

Test switch and charge indicator light

Dimensional Drawing



Arrow 2pcs



Without Arrow 1pc

Warranty

5-year limited warranty in commercial use from the date of purchase

Operating temperature range between 0°C and +40°C

Ordering Information Example: TL-RMES003

| Family Name | Fixture Type | Model |
|----------------|-------------------------------------|----------------------|
| TL (Turolight) | RMES ("Running Man" Emergency Sign) | 101 (Emergency Sign) |

Product Specification

| Ordering Code | Model Number | Description | Wattage (W) | Input Voltage (V) | Mounting | Remote Capable | Self Powered Battery | Damp Location | Dimensions LxWxH (inch) | Case QTY. |
|---------------|--------------|---|-------------|-------------------|---------------|----------------|----------------------|---------------|-------------------------|-----------|
| 3461114 | TL-RMES101 | "Running Man" LED Emergency Sign, White Housing AC only | 3W | 120/347VAC | wall, ceiling | No | Yes (90 minutes) | Yes | 13.0x8.5x2.4 | 6 |



LED FIXTURE

TL Series

LED Emergency

TL-RMES201

"Running Man" LED Edge-lit Emergency Sign



Features & Benefits

- Injection-molded thermoplastic ABS housing

- Easy installation

- Ni-cd battery backup for 90 minutes

- Universal (wall, side, ceiling) mounting

- Super bright SMD LED

- 120/347VAC input voltage, 3W

- 3 Pictograms included, single/ double face

- cUL listed / IP20

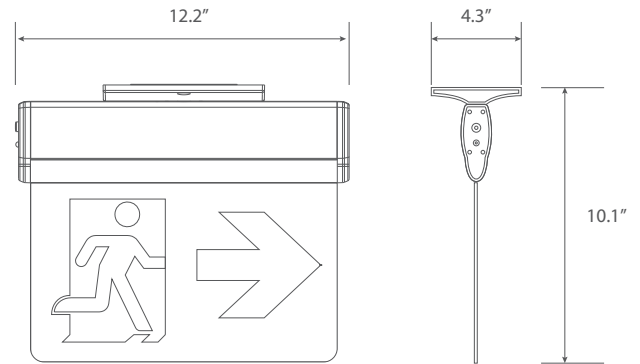
- Test switch and charge indicator light

Warranty

- 5-year limited warranty in commercial use from the date of purchase

- Operating temperature range between 0°C and +40°C

Dimensional Drawing



Arrow 2pcs



Without Arrow 1pc

Ordering Information Example: TL-RMES201

| Family Name | Fixture Type | Model |
|----------------|-------------------------------------|--------------------------------|
| TL (Turolight) | RMES ("Running Man" Emergency Sign) | 201 (Edge-lit Emergency Sign) |

Product Specification

| Ordering Code | Model Number | Description | Wattage (W) | Input Voltage (V) | Mounting | Remote Capable | Self Powered Battery | Damp Location | Dimensions* LxW (inch) | Case QTY. |
|---------------|--------------|--|-------------|-------------------|---------------------|----------------|----------------------|---------------|------------------------|-----------|
| 3461115 | TL-RMES201 | "Running Man" LED Edge-lit Emergency Sign, White Housing AC only | 3W | 120/347VAC | wall, side, ceiling | No | Yes (90 minutes) | Yes | 12.2x10.1 | 6 |

* Please see the "Dimensional Drawing" for detail

LED FIXTURE

SSL Series

LED Stringer Light Set

SSL-STRINGER

24 Light, LED outdoor stringer light set



Features & Benefits

CUL listed, wet location approved

Decorative filament LED bulbs 2200K (warm light)

14.6m / 48 ft heavy-duty 16/3 cord with male & female molded connectors

Connect up to 45 sets 658m / 2160ft using 1W LED lamp only

Includes 24 bulbs plus 2 spares

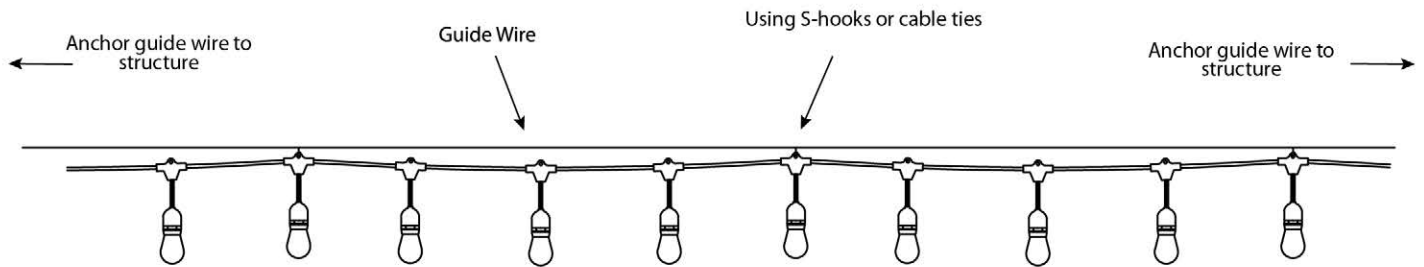
Shatter-resistant bulbs

Bulbs spaced 2ft on centre

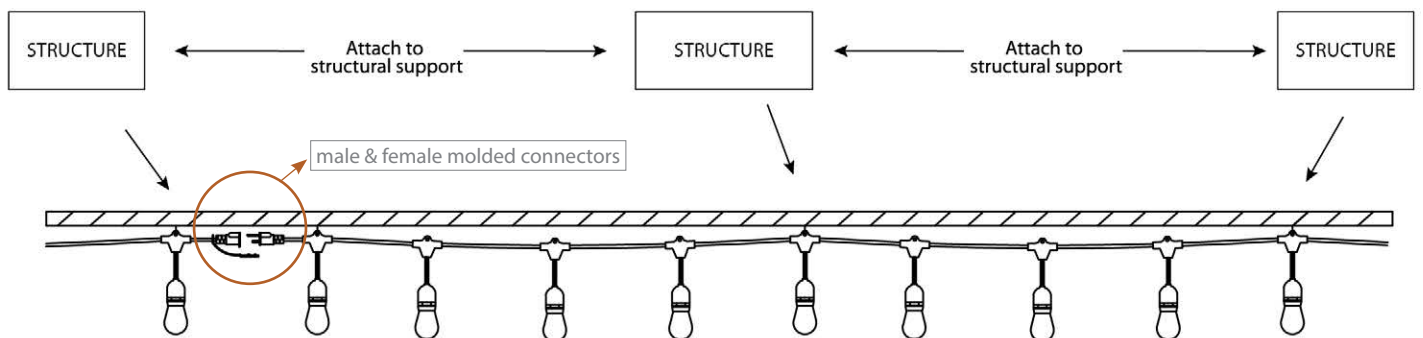
Energy saving 1 watt LED bulbs, 120V

Installation

1. If attaching to the guide wire, attach the ring at the back of the bulb holder to the guide wire using a S-hook or cable tie.



2. If a guide wire is not used, connect securely to structure at the beginning, middle and the end of EACH string light.



Ordering Information

Example: SSL-STRINGER/48F/24W/22K/120V

| Family Name | Fixture Type | Total Length | Wattage Per Set (Maximum) | CCT | Input Line Voltage |
|----------------------------|-------------------------------|---------------|---------------------------|-------------|--------------------|
| SSL (Solid State Lighting) | STRINGER (Stringer Light Set) | 48F (48 feet) | 24W | 22K (2200K) | 120V |

Product Specification

| Order Code | Model Number |
|------------|-------------------------------|
| 3664118 | SSL-STRINGER/48F/24W/22K/120V |

EFFORTLESS LIGHTING CONTROL



6 SENSORS MAKE DOLLARS & SENSE!

Our Standard Range 360°, 450 ft² coverage occupancy sensor which incorporates Passive Infrared (PIR) detection technology into an attractive line powered occupancy sensor that provides amazing sensitivity to small motions and excellent payback. This sensor is an economical solution for providing automatic lighting control where a wall switch replacement sensor is not applicable.



Key Features

- **Designed to work with LED/CFL technology**
- **Self-contained relay**
- **Preset time delay**
- **Auto ON/OFF Operation mode***

*The sensor detects changes in the infrared energy given off by occupants as they move within the field-of-view. When occupancy is detected, a self-contained relay switches the connected lighting load on. The sensor is line powered, and switches line voltage. A standard occupancy time delay is also present that ensures lights turn off (assuming minimum on timer has elapsed) if no occupancy is detected. This timer, factory set at 15 seconds, keeps the lights on during brief periods of inactivity. It is knob programmable from 15 seconds to 30 minutes, and is reset every time occupancy is re-detected.

Application

- Warehouse
- Boardroom
- Gymnasium
- Garage
- Office
- Manufacturing plant

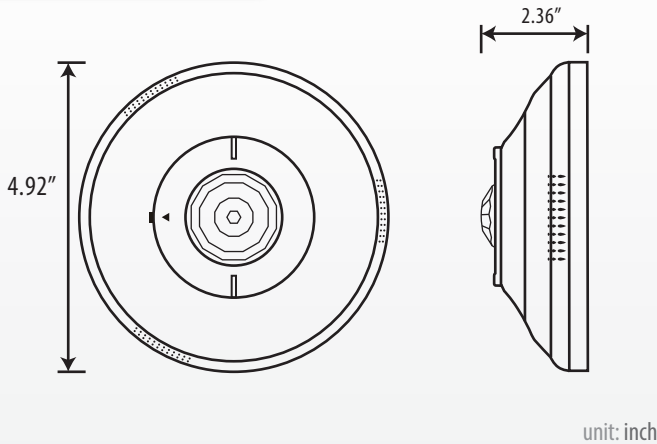
Other information

- Two (2) year limited warranty
- Easy retrofit
- cUL listed

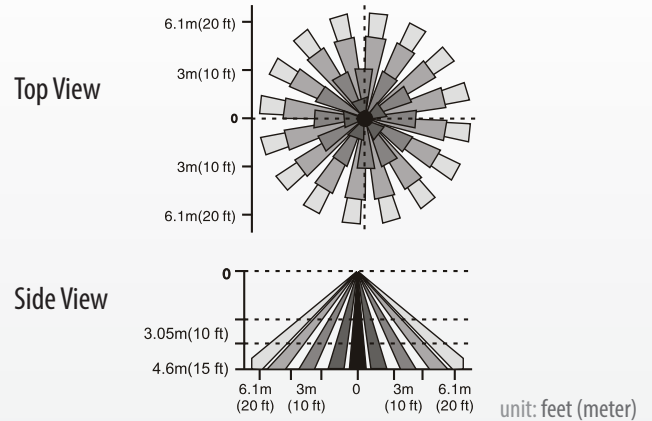
Specifications

| | TL-1032 |
|--------------------------|-----------------------------|
| Technology | PIR |
| Occupancy/Vacancy | OCC |
| Coverage (Degrees Sq.Ft) | 360° 450 |
| Voltage | 120/277 VAC |
| Frequency | 50-60 Hz |
| Load Size | 0-800W/0-1200W |
| Hot Required | Y |
| Neutral Required | Y |
| Ground Required | - |
| LED Indicator | - |
| ON/OFF Button | - |
| Adjustable Sensitivity | Y |
| Light Harvesting | Y |
| Operation Mode | OCC |
| Single Pole/2Pole/3-Way | Single Pole |
| Operating Temp. | 0° to 55° C |
| Size | 2.36" H x 4.92" W x 4.92" D |
| Weight | 5.64 oz |
| Mounting Height | 15 Ft |

Dimensions



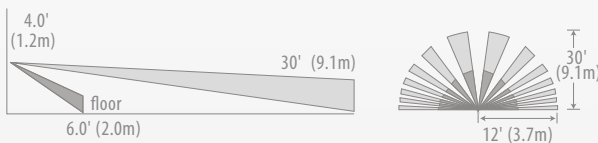
Detection Patterns



You might be interested in:

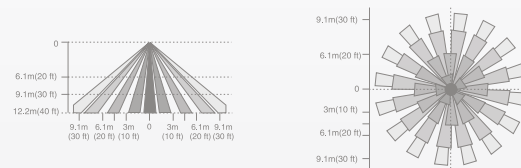
PIR WALL SWITCH OCCUPANCY SENSORS

Turolight's switch sensors are designed to replace a standard light or fan switch. This device can detect motion from a heat-emitting source (such as a person entering a room) within its field-of-view and automatically turn ON and OFF saving energy and reducing energy bills.



PIR HIGH BAY FIXTURE MOUNT OCCUPANCY SENSORS

Highly mountable High Bay 360° sensor provides Passive Infrared (PIR) occupancy detection over a 15-20 ft radial coverage pattern that overlaps the areas lit by a typical high bay fixture.



Call now for more information!

Turolight reserves the right to change specifications, modify designs and discontinue items without incurring obligation. Every effort is made to ensure that descriptions, specifications and other information in this data sheet are correct. No warranty is given in respect thereof and the company shall not be liable for any error therein.

© Turolight, Inc.®

This material is copyright. Except as permitted, no part of this work may be reproduced by any process without prior written permission of and acknowledgement to Turolight, Inc.

The identified trademarks and copyrights are the property of Turolight® unless otherwise noted.

You can find this data sheet and many others online in PDF format at:

www.turolight.com

Distributed by:



**PIR HIGH BAY
FIXTURE MOUNT
OCCUPANCY SENSORS**

EFFORTLESS LIGHTING CONTROL



“ CONVENIENCE AND SIMPLICITY!

Highly mountable High Bay 360° sensor provides Passive Infrared (PIR) occupancy detection over a 15-20 ft radial coverage pattern that overlaps the areas lit by a typical high bay fixture.

This line voltage sensor switches loads directly without the need for a power pack. The sensor can be mounts to a fixture with a 1/2 inch knockout for individual ON/OFF control of T5/T8 fluorescent lighting.



Key Features

- **Designed to work with LED/CFL technology**
- **Self-contained relay**
- **Replaces a standard light or fan single-pole switch**
- **Preset time delay**
- **Auto ON/OFF Operation mode***

*The sensor detects changes in the infrared energy given off by occupants as they move within the field-of-view. When occupancy is detected, a self-contained relay switches the connected lighting load on. The sensor is line powered, and switches line voltage. A standard occupancy time delay is also present that ensures lights turn off (assuming minimum on timer has elapsed) if no occupancy is detected. This timer, factory set at 15 seconds, keeps the lights on during brief periods of inactivity. It is knob programmable from 15 seconds to 30 minutes, and is reset every time occupancy is re-detected.

Application

- Warehouse
- Manufacturing plant
- Gymnasium
- Storage Rooms

Other information

- Two (2) year limited warranty
- Easy retrofit
- cUL listed

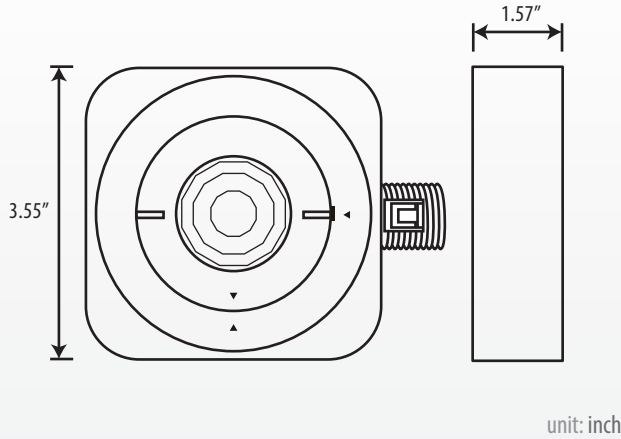
Specifications

| | TL-2052 |
|--------------------------|-----------------------------|
| Technology | PIR |
| Occupancy/Vacancy | OCC |
| Coverage (Degrees Sq.Ft) | 360° 450 |
| Voltage | 120/277/347 VAC |
| Frequency | 50-60 Hz |
| Load Size | 0-800W/0-1200W/0-1500W |
| Hot Required | Y |
| Neutral Required | Y |
| Ground Required | - |
| LED Indicator | Y |
| ON/OFF Button | - |
| Adjustable Sensitivity | Y |
| Light Harvesting | - |
| Operation Mode | OCC |
| Single Pole/2Pole/3-Way | Single Pole |
| Operating Temp. | 0° to 55° C |
| Size | 3.55" H x 3.55" W x 1.57" D |
| Weight | 5 oz |
| Mounting Height | Up to 30 Ft |

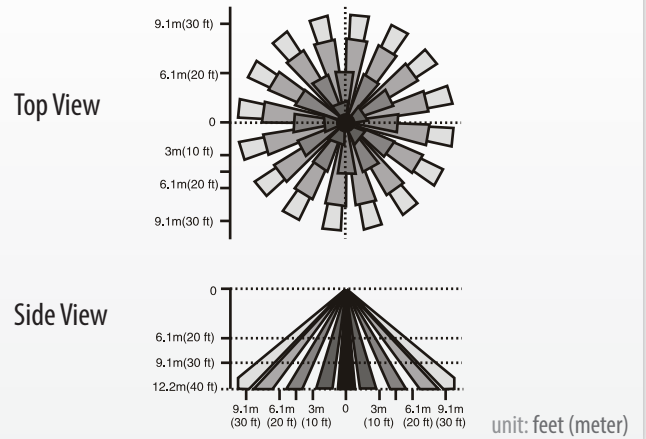


TO ORDER PLEASE CALL 1-877-736-0447 OR EMAIL: SALES@TUROLIGHT.COM
Tel: (416) 736-0447 • Toll Free: 1 (877) 736-0447 • Fax: (416) 736-4890 • Email: info@turolight.com • Website: www.turolight.com

Dimensions



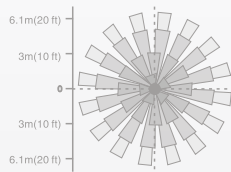
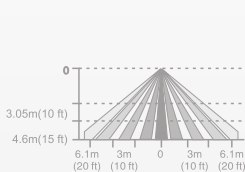
Detection Patterns



You might be interested in:

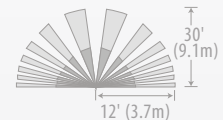
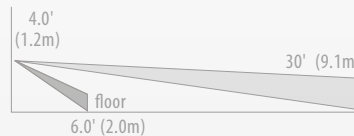
PIR CEILING MOUNT OCCUPANCY SENSORS

Standard Range 360° occupancy sensor which incorporates Passive Infrared (PIR) detection technology into an attractive line powered occupancy sensor that provides amazing sensitivity to small motions and excellent payback.



PIR WALL SWITCH OCCUPANCY SENSORS

Turolight's switch sensors are designed to replace a standard light or fan switch. This device can detect motion from a heat-emitting source (such as a person entering a room) within its field-of-views and automatically turn ON and OFF saving energy and reducing energy bills.



Call now for more information!

Turolight reserves the right to change specifications, modify designs and discontinue items without incurring obligation. Every effort is made to ensure that descriptions, specifications and other information in this data sheet are correct. No warranty is given in respect thereof and the company shall not be liable for any error therein.

© Turolight, Inc.®

This material is copyright. Except as permitted, no part of this work may be reproduced by any process without prior written permission of and acknowledgement to Turolight, Inc.

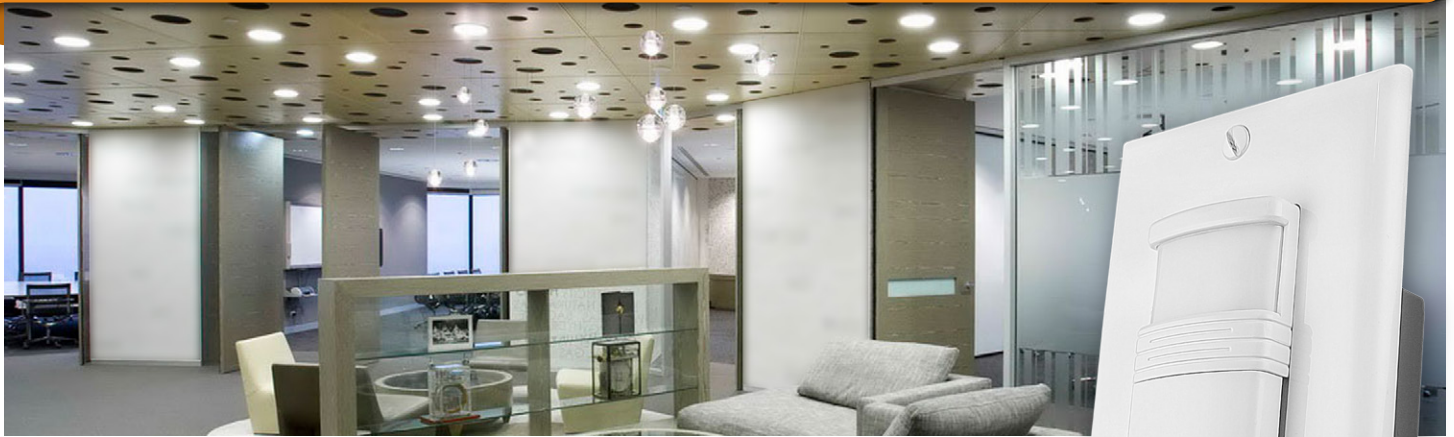
The identified trademarks and copyrights are the property of Turolight® unless otherwise noted.

You can find this data sheet and many others online in PDF format at:

www.turolight.com

Distributed by:

EFFORTLESS LIGHTING CONTROL



“ A FEW MINUTE RETROFIT FOR A LIFE TIME OF SAVINGS!

Turolight’s switch sensors are designed to replace a standard light or fan switch. This device can detect motion from a heat-emitting source (such as a person entering a room) within its field-of-views and automatically turn ON and OFF saving energy and reducing energy bills. Using Vacancy & Occupancy Sensors can reduce energy consumption by 45+%.



Key Features

- **Designed to work with LED/CFL technology**
- **Self-contained relay**
- **Replaces a standard light or fan single-pole switch**
- Preset time delay
- OFF / OCC / VAC three operation modes*

*OCC: Auto ON / Auto OFF VAC: Auto OFF / Manual ON

Application

- Private Offices
- Conference Rooms
- Break Rooms
- Lounges / Hallways
- Stairways
- Rest Rooms
- Storage Rooms
- Classrooms

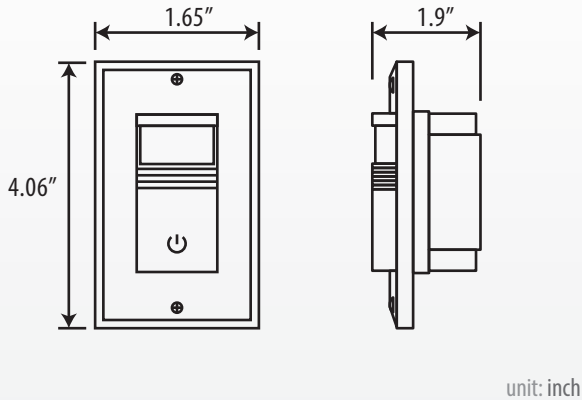
Other information

- Two (2) year limited warranty
- Easy retrofit
- cUL listed

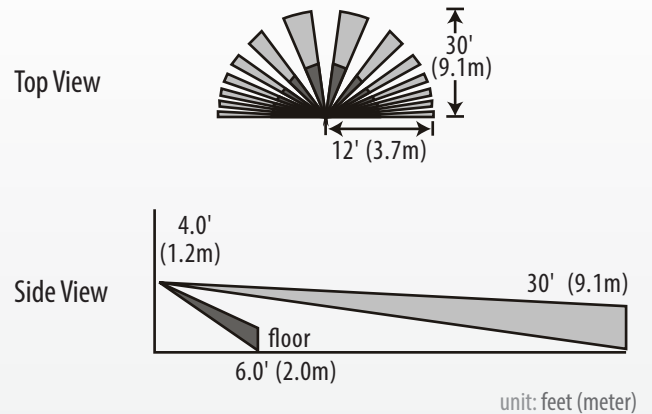
Specifications

| | TL-6012 | TL-8012 |
|--------------------------|-----------------------------|-----------------|
| Technology | PIR | PIR |
| Occupancy/Vacancy | OCC/VAC | OCC/VAC |
| Coverage (Degrees Sq.Ft) | 180° 600 | 180° 600 |
| Voltage | 120/277 VAC | 120/277 VAC |
| Frequency | 50-60 Hz | 50-60 Hz |
| Load Size | 0-800W/0-1200W | 0-800W/0-1200W |
| Hot Required | Y | Y |
| Neutral Required | - | Y |
| Ground Required | Y | Y |
| LED Indicator | Y | Y |
| ON/OFF Button | Y | Y |
| Adjustable Sensitivity | Y | Y |
| Light Harvesting | Y | Y |
| Operation Mode | OCC & RESET/VAC | OCC & RESET/VAC |
| Single Pole/2Pole/3-Way | Single Pole | Single Pole |
| Operating Temp. | 0° to 55° C | 0° to 55° C |
| Size | 4.06" H x 1.68" W x 1.90" D | |
| Weight | 5 oz | 5 oz |
| Mounting Height | 30" to 48" | 30" to 48" |

Dimensions



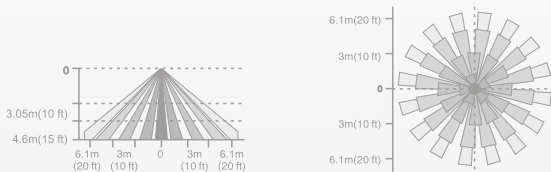
Detection Patterns



You might be interested in:

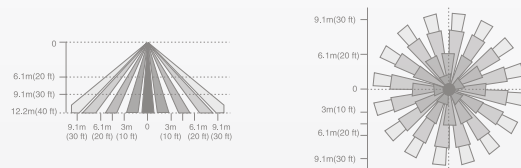
PIR CEILING MOUNT OCCUPANCY SENSORS

Standard Range 360° occupancy sensor which incorporates Passive Infrared (PIR) detection technology into an attractive line powered occupancy sensor that provides amazing sensitivity to small motions and excellent payback.



PIR HIGH BAY FIXTURE MOUNT OCCUPANCY SENSORS

Highly mountable High Bay 360° sensor provides Passive Infrared (PIR) occupancy detection over a 15-20 ft radial coverage pattern that overlaps the areas lit by a typical high bay fixture.



Call now for more information!

Turolight reserves the right to change specifications, modify designs and discontinue items without incurring obligation. Every effort is made to ensure that descriptions, specifications and other information in this data sheet are correct. No warranty is given in respect thereof and the company shall not be liable for any error therein.

© Turolight, Inc.®

This material is copyright. Except as permitted, no part of this work may be reproduced by any process without prior written permission of and acknowledgement to Turolight, Inc.

The identified trademarks and copyrights are the property of Turolight® unless otherwise noted.

You can find this data sheet and many others online in PDF format at:

www.turolight.com

Distributed by: