



Lamps & Luminaires Catalogue

Tel: 416-736-0447 • Fax: 416-736-4890 • Toll Free: 1-877-736-0447
sales@turolight.com • www.turolight.com

D-03V.2019



WHO WE ARE

Turolight has been redefining the very definition of light since its inception. By introducing wave after wave of new, exciting, innovative leading edge, high quality, energy saving lighting products we've captured the hearts and minds of countless organization and individuals alike.

Global warming is a reality; it is our purpose to create sustainable solutions that achieve in higher efficiencies than required by law. Our products feature some of the most impressive traits in the industry. Featuring break-thru products like LED bulbs and fixtures, we've just begun to explore the alternatives to further support in the effort to create a sustainable future.

These initiatives will help reduce greenhouse gases, promote energy conservation, reduce waste both at the manufacturing level and at the consumer level, while protecting our children's future. Turolight goes further than just engineering environmentally

friendly products, we take it to the streets and work hard to promote and support programs that will contribute to the realization of sustainability in this new reality.

We understand the need for safety in all electrical products and lighting products are no exception. Turolight strongly promotes the strictest of safety standards by adhering to CSA and cUL guidelines.

We create and distribute, through our distribution partners, a host of unique lighting products that are quickly becoming the standard in our industry today. If you are a distributor or an agent of electrical products and are interested in becoming a Turolight partner, contact us today at www.turolight.com.

Turolight continues to capture the lighting marketplace, and takes pride in making it affordable, practical and sustainable for all.

MISSION STATEMENT

Turolight is a leading manufacturer of premium, energy efficient and environmentally friendly lighting technologies. Our products allow industries and consumers alike to make positive choices for themselves, their communities, and the planet.



LED LAMPS

FILAMENT

LOW FLICKER	»	CURVE	»
-------------	---	-------	---

A SHAPE

VIV-A19, VIV-A21, VIV-A15	»	PV-A19	»
---------------------------	---	--------	---

DECO

VIV-B10/B11, VIV-G25, VIV-G16, VIV-G9, VIV-MR11	»		
---	---	--	--

MR16

VASO-MR16, HD-MR16	»	VIV-MR16	»
--------------------	---	----------	---

PAR

HD-PAR	»	PV-PAR	»
--------	---	--------	---

LINEAR

VIV-T5DFSP4, VIV-T5DF4	»	VIV-T8 DIRECT FIT	»
------------------------	---	-------------------	---

VIV-T8 BYPASS	»	VIV-T8 SIGN LIGHT	»
---------------	---	-------------------	---

VIV-T8 BYPASS FLICKER-FREE	»		
----------------------------	---	--	--

PL

VIV-PLL	»	VIV-PL-DF	»
---------	---	-----------	---

LED LUMINAIRES

LINEAR STRIP

VAPOR TIGHT	»	ECO-COMMERCIAL STRIP	»
-------------	---	----------------------	---

CONNECT STRIP	»		
---------------	---	--	--

CONNECT STRIP WITH SENSOR	»		
---------------------------	---	--	--

LINEAR STRIP WITH SENSOR	»		
--------------------------	---	--	--

OFFICE FIXTURE

WRAP AROUND	»	FLAT PANEL ^{NEW}	»
-------------	---	---------------------------	---

CENTRE BASKET	»	TRACK HEAD	»
---------------	---	------------	---

HIGH BAY

NXL-HB	»	SSL-UHB	»
--------	---	---------	---

SSL-LHB2, SSL-LHB ^{NEW}	»	T5 HIGHBAY FIXTURE	»
----------------------------------	---	--------------------	---

FLOOD

NXL-FL	»	NXL-SFL	»
--------	---	---------	---

SSL-FL1	»	SSL-SFL1	»
---------	---	----------	---

AREA LIGHT (SSL-AL) ^{NEW}	»		
------------------------------------	---	--	--

SHOEBOX

NXL-SB	»	SSL-SB1	»
--------	---	---------	---

WALLPACK

SSL-WP1S	»	SSL-WP1	»
----------	---	---------	---

SSL-WP2	»	SSL-WP3	»
---------	---	---------	---

SSL-DW1	»		
---------	---	--	--

CANOPY

SSL-CP1	»	SSL-CP2	»
---------	---	---------	---

FLUSH MOUNT

RGD-FM/ 2 RING	»	RGD-FM/ PC	»
----------------	---	------------	---

DOWNLIGHT

SLIM PANEL (RGD-SP)	»	RGD-DLJ (WITH J-BOX)	»
---------------------	---	----------------------	---

RGD-LAD	»	DOWNLIGHT FIXTURE	»
---------	---	-------------------	---

CEILING DOME LIGHT (RGD-CD)	»		
-----------------------------	---	--	--

EXIT SIGN

TL-EM001, TL-EM002, TL-EM003	»		
------------------------------	---	--	--

TL-RMES003	»	TL-RMES101, TL-RMES201	»
------------	---	------------------------	---

ACCESSORY

SPORTS LIGHT (SSL-SL) ^{NEW}	»		
--------------------------------------	---	--	--

TL-BALLAST (T8)	»	STRINGER LIGHT SET	»
-----------------	---	--------------------	---

CEILING SENSOR (TL-1032)	»		
--------------------------	---	--	--

HIGH BAY SENSOR (TL-2052)	»		
---------------------------	---	--	--

SWITCH SENSOR (TL-6012, TL-8012)	»		
----------------------------------	---	--	--





LED LAMP ARTISAN



A19, B10, ST19, T9

LOW
non visible
FLICKER



Features & Benefits

Reduced flicker down to 10%

- Compare to 6.6% traditional incandescent
- Far below California T20 standard 30%
- Significantly improve light quality
- Optimize eye comfort

With clear or amber glass cover

Dimmable, High CRI (80+)

15,000 hour average life span

Rated for damp locations

Warranty & Cautions

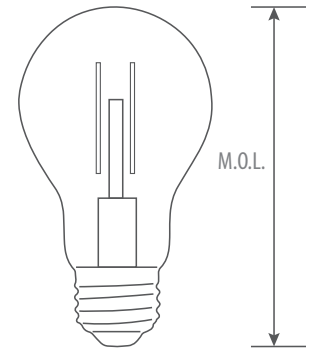
2-year limited warranty

Operating temperature range between -20°C and +40°C

Ordering Information Example: AR-A19LF/8W/27/D/C

LED CLASS	LAMP TYPE	WATTAGE	CCT(K)	BASE	DIMMABLE	COVER
AR (Artisan)	A19LF B10LF ST19LF T6LF, T9LF, T14LF G16.5LF	8W 5W 4W 2.5W	40 (4000K) 30 (3000K) 27 (2700K) 22 (2200K)	E12 (E12) Blank (E26)	D (dimmable)	C (Clear) A (Amber)

Dimensional drawing



Product Specification

Ordering Code	Model Number	Product Description	Watts (W)	Replacement Filament	Replacement Incandescent	Base	Voltage (V)	Hour Rating	Beam Angle	Initial Lumens (lm)	CCT(K)	CRI	Damp Loc.	M.O.L. (inch)	Case QTY.
1772110	AR-A19LF/8W/27/D/C	A19 Low Flicker 8W 27K Dimmable Clear	8	-	60W	E26	120	15,000	330°	800	2700	80	Y	4.29	40
1772202	AR-A19LF/8W/30/D/C	A19 Low Flicker 8W 30K Dimmable Clear	8	-	60W	E26	120	15,000	330°	800	3000	80	Y	4.29	40
1771141	AR-B10LF/4W/27/E12/D/C	B10 Low Flicker 4W 27K E12 Dimmable Clear	4	-	40W	E12	120	15,000	330°	300	2700	80	Y	3.78	50
1771203	AR-B10LF/4W/30/E12/D/C	B10 Low Flicker 4W 30K E12 Dimmable Clear	4	-	40W	E12	120	15,000	330°	300	3000	80	Y	3.78	50
1771403	AR-B10LF/4W/40/E12/D/C	B10 Low Flicker 4W 40K E12 Dimmable Clear	4	-	40W	E12	120	15,000	330°	300	4000	80	Y	3.78	50
1771925	AR-B10LF/4W/22/E12/D/A	B10 Low Flicker 4W 22K E12 Dimmable Amber	4	40W	-	E12	120	15,000	330°	250	2200	80	Y	3.78	50
1771142	AR-B10LF/4W/27/D/C	B10 Low Flicker 4W 27K E26 Dimmable Clear	4	-	40W	E26	120	15,000	330°	300	2700	80	Y	3.78	50
1772111	AR-ST19LF/5W/27/D/C	ST19 Low Flicker 5W 27K Dimmable Clear	5	-	60W	E26	120	15,000	330°	500	2700	80	Y	5.39	20
1772203	AR-ST19LF/5W/30/D/C	ST19 Low Flicker 5W 30K Dimmable Clear	5	-	60W	E26	120	15,000	330°	500	3000	80	Y	5.39	20
1771404	AR-ST19LF/5W/40/D/C	ST19 Low Flicker 5W 40K Dimmable Clear	5	-	60W	E26	120	15,000	330°	500	4000	80	Y	5.39	20
1772908	AR-ST19LF/5W/22/D/A	ST19 Low Flicker 5W 22K Dimmable Amber	5	60W	-	E26	120	15,000	330°	400	2200	80	Y	5.39	20
1771205	AR-T6LF/2.5W/30/E12/D/C	T6 Low Flicker 2.5W 30K E12 Dimmable Clear	2.5	-	25W	E12	120	15,000	330°	200	3000	80	Y	3.84	50
1771140	AR-T9LF/4W/27/D/C	T9 Low Flicker 4W 27K Dimmable Clear	4	-	40W	E26	120	15,000	330°	350	2700	80	Y	5.71	50
1771206	AR-T9LF/4W/30/D/C	T9 Low Flicker 4W 30K Dimmable Clear	4	-	40W	E26	120	15,000	330°	350	3000	80	Y	5.71	50
1771207	AR-T14LF/5W/30/D/C	T14 Low Flicker 5W 30K Dimmable Clear	5	-	60W	E26	120	15,000	330°	500	3000	80	Y	4.71	50
1771208	AR-G16.5LF/4W/30/E12/D/C	G16.5 Low Flicker 4W 30K E12 Dimmable Clear	4	-	40W	E12	120	15,000	330°	350	3000	80	Y	3.31	50



LED LAMP

ARTISAN-AESTHETIC



Dimmable



A19, B11, ST19, G25

Features & Benefits

- Each filament design expresses a unique decor experience
- Enhance aesthetics with bulb only
- 125lm/ 250lm replaces 13W/25W traditional filament bulb
- Warm and vintage color temperature (2000K)
- UL/cUL listed, FCC compliant, RoHS compliant

- Dimmable, High CRI (80+)
- 15,000 hour average life span
- Reduces energy consumption up to 70%
- Rated for damp locations and semi-enclosed fixtures

Applications

Perfect for decorative installations. Hospitality, Restaurants, Residential, Retail etc.

Product Specification

Ordering Code	Model Number	Product Description	Watts (W)	Replacement Filament	Base	Voltage (V)	Hour Rating	Beam Angle	Initial Lumens (lm)	CCT(K)	CRI	EFA*	Damp LOC.	M.O.L. (inch)	Case QTY.
1771923	AR-A19/S/4.5W/20/D/A	A19 Spiral 4.5W 20K Dimmable Amber	4.5	13W	E26	120	15,000	360	125	2000	80	semi-enclosed	Y	4.17	10/100
1771924	AR-B11/S/4.5W/20/E12/D/A	B11 Spiral 4.5W 20K E12 Dimmable Amber	4.5	13W	E12	120	15,000	360	125	2000	80	semi-enclosed	Y	3.82	10/100
1772905	AR-ST19/M/6.5W/20/D/A	ST19 M- Shape 6.5W Dimmable Amber	6.5	25W	E26	120	15,000	360	250	2000	80	semi-enclosed	Y	5.39	10/80
1772906	AR-G25/DS/6.5W/20/D/A	G25 Double Spiral 6.5W Dimmable Amber	6.5	25W	E26	120	15,000	360	250	2000	80	semi-enclosed	Y	4.69	10/80

* Enclosed Fixture Application

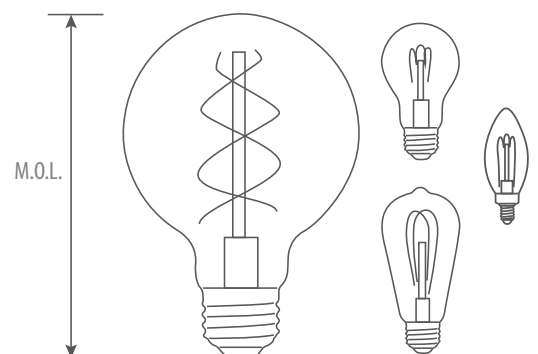
Warranty & Cautions

- 3-year (non ES) limited warranty in commercial use from the date of purchase
- Operating temperature range between -20°C and +40°C

Ordering Information

LED CLASS	LAMP TYPE	LED Chip Shape	WATTAGE	CCT(K)	BASE	DIMMABLE	Glass Color
AR (Artisan)	A19	S (Spiral)	4.5W	20 (2000K)	E12(E12)	D (dimmable)	A (Amber)
	B11	S (Spiral)	4.5W		Blank (E26)		
	ST19	M (M Shape)	6.5W				
	G25	DS (Double Spiral)	6.5W				

Dimensional drawing





LED LAMP

ARTISAN



AR-A19, AR-B10/BA10 AR-Globe, AR-ST19, AR-T10

Features & Benefits

- 2200K with amber glass cover
- 2700K, 4000K with clear or frost glass cover

- Energy Star*, dimmable*, High CRI (80+)
- 15,000 hour average life, Damp location rated

* For applicable models, see product specification below

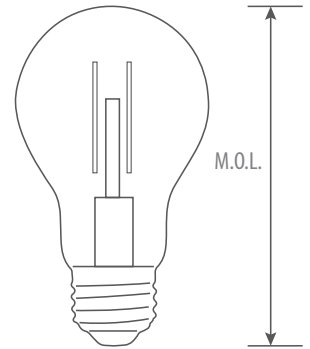
Warranty & Cautions

- 2-year limited warranty from the date of purchase
- Operating temperature between -20°C and +40°C

Ordering Information Example: AR-G16.5/4W/27/E12/D/C

LED CLASS	LAMP TYPE	WATTAGE	CCT(K)	BASE	DIMMABLE	COVER
AR (Artisan)	A19 B10/BA10 G30, G25, G16.5 ST19 T10	4W 5W 6W 8W	22 (2200K) 27 (2700K) 30 (3000K) 40 (4000K)	Blank (E26) E12	D (dimmable) Blank (non dimmable)	C (Clear) A (Amber) F (Frost)

Dimensional drawing



Product Specification

Ordering Code	ES	Model Number	Watts	Replacement Filament	Replacement Incandescent	Base	Voltage (V)	Hour Rating	Beam Angle°	Initial Lumens(lm)	CCT(K)	CRI	Damp Location	M.O.L. (inch)	Case QTY.
AR-A19															
1772102	Yes	AR-A19/8W/27/D/C	8	-	60W	E26	120	15,000	330	800	2700	80	Y	4.29	40
1772900	No	AR-A19/8W/22/D/A	8	75W	-	E26	120	15,000	330	640	2200	80	Y	4.29	40
1771127	Yes	AR-A19/4W/27/D/C	4	-	40W	E26	120	15,000	330	420	2700	80	Y	4.29	40
AR-B10/BA10															
1771136	Yes	AR-B10/4W/27/E12/D/C	4	-	40W	E12	120	15,000	330	350	2700	80	Y	3.78	50
1771135	Yes	AR-B10/5W/27/E12/D/C	5	-	40W	E12	120	15,000	330	500	2700	80	Y	3.78	50
1771400	No	AR-B10/5W/40/E12/D/C	5	-	40W	E12	120	15,000	330	500	4000	80	Y	3.78	50
1771137	Yes	AR-BA10/4W/27/E12/D/C	4	-	40W	E12	120	15,000	330	350	2700	80	Y	4.09	50
AR-Globe															
1771143	No	AR-G30/6W/30/D/C	6	-	60W	E26	120	15,000	330	600	3000	80	Y	5.28	20
1771204	No	AR-G30/6W/30/D/F	6	-	60W	E26	120	15,000	330	600	3000	80	Y	5.28	20
1772108	Yes	AR-G25/6W/27/D/C	6	-	60W	E26	120	15,000	330	600	2700	80	Y	4.61	20
1772109	Yes	AR-G25/6W/27/D/F	6	-	50W	E26	120	15,000	330	540	2700	80	Y	4.61	20
1771129	NO	AR-G16.5/4W/27/E12/D/C	4	-	40W	E12	120	15,000	330	350	2700	80	Y	3.31	50
1771138	Yes	AR-G16.5/5W/27/E12/D/C	5	-	40W	E12	120	15,000	330	350	2700	80	Y	3.19	50
AR-ST19															
1772400	NO	AR-ST19/6W/40/D/C	6	-	60W	E26	120	15,000	330	600	4000	80	Y	5.39	20
AR-T10															
1771907	NO	AR-T10/5W/22/D/A	5	60W	-	E26	120	15,000	320	400	2200	80	Y	4.96	72



LED LAMP

VIVID Series



VIV-A21, VIV-A15, VIV-A19/GU

Features & Benefits

Energy Star listed*

Suitable for enclosed fixtures*

Dimmable*, High CRI (80+)

Damp location rated

* For applicable models, see product specification below

Warranty & Cautions

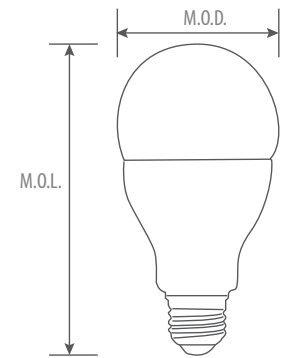
3-year limited warranty from the date of purchase

Operating temperature between -20°C and +40°C

Ordering Information Example: VIV-A19/8W/27/D/GU

LED CLASS	LAMP TYPE	WATTAGE	CCT(K)	DIMMABLE	COVER/BASE
VIV (Vivid)	A21	23W	27 (2700K)	D (dimmable) Blank (non dimmable)	F (Frost) GU (Base GU24)
	A19	3WAY 15W	30 (3000K)		
	A15	8W	40 (4000K)		
		6W	50 (5000K)		

Dimensional drawing



Product Specification

Ordering Code	Energy Star	Model Number	Product Description	Watts (W)	Replacement Incandescent	Base	Voltage (V)	Hour Rating	Beam Angle	Initial Lumens (lm)	CCT(K)	CRI	EFA ¹	Damp LOC.	M.O.D. (inch)	M.O.L. (inch)	Case QTY.
VIV-A21																	
1764210	Yes	VIV-A21/23W/30/D	A21 23W 3000K Dimmable	23	150W	E26	120	15,000	230°	2550	3000	80	Y	Y	2.63	4.8	40
1763232	Yes	VIV-A21/3WAY/15W/27/D	A21 3-WAY 15W/10W/5W 2700K	15/10/5	100W/75W/50W	E26	120	15,000	230°	1600/1100/600	2700	80	Y	Y	2.63	4.8	40
VIV-A15																	
1762734	No	VIV-A15/6W/27/D/F	A15 6W 2700K Dimmable Frost	6	60W	E26	120	15,000	180°	500	2700	80	-	Y	-	3.3	50
VIV-A19 GU24																	
1762197	Yes	VIV-A19/8W/27/D/GU	A19 8W 2700K Dimmable GU24	8	60W	GU24	120	25,000	235°	800	2700	80	Y	Y	-	4.17	40
1762766	Yes	VIV-A19/8W/30/D/GU	A19 8W 3000K Dimmable GU24	8	60W	GU24	120	25,000	235°	800	3000	80	Y	Y	-	4.17	40
1762844	Yes	VIV-A19/8W/40/D/GU	A19 8W 4000K Dimmable GU24	8	60W	GU24	120	25,000	235°	800	4000	80	Y	Y	-	4.17	40
1762528	Yes	VIV-A19/8W/50/D/GU	A19 8W 5000K Dimmable GU24	8	60W	GU24	120	25,000	235°	800	5000	80	Y	Y	-	4.17	40

¹ Enclosed Fixture Application



LED LAMP

VIVID Series

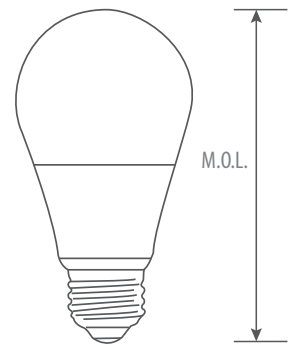
VIV-A19/X18



Features & Benefits

Energy Star listed	High CRI (80+), dimmable
15W replaces 100W incandescent	25,000 hour average life
11W replaces 75W incandescent	Enclosed fixture application
9W replaces 60W incandescent	Damp location approved
6W replaces 40W incandescent	

Dimensional drawing



Warranty & Cautions

3-year limited warranty
Operating temperature range between -40°C and +45°C
UL/cUL listed, FCC compliant, RoHS compliant

Product Specification

Ordering Code	ES	Model Number	Watts	Replacement Incandescent	Base	Voltage (V)	Hour Rating	Beam Angle	Initial Lumens(lm)	CCT(K)	CRI	Enclosed Fixture Application	Damp LOC.	M.O.L. (inch)	Case QTY.
1762021	Y	VIV-A19/X18/15W/27/D	15	100W	E26	120	25,000	220°	1600	2700	80	Y	Y	4.9	40
1762797	Y	VIV-A19/X18/15W/30/D	15	100W	E26	120	25,000	220°	1600	3000	80	Y	Y	4.9	40
1762879	Y	VIV-A19/X18/15W/40/D	15	100W	E26	120	25,000	220°	1600	4000	80	Y	Y	4.9	40
1762549	Y	VIV-A19/X18/15W/50/D	15	100W	E26	120	25,000	220°	1600	5000	80	Y	Y	4.9	40
1762798	Y	VIV-A19/X18/11W/30/D	11	75W	E26	120	25,000	220°	1100	3000	80	Y	Y	4.4	40
1762880	Y	VIV-A19/X18/11W/40/D	11	75W	E26	120	25,000	220°	1100	4000	80	Y	Y	4.4	40
1762019	Y	VIV-A19/X18/9W/27/D	9	60W	E26	120	25,000	220°	800	2700	80	Y	Y	4.4	40
1762799	Y	VIV-A19/X18/9W/30/D	9	60W	E26	120	25,000	220°	800	3000	80	Y	Y	4.4	40
1762881	Y	VIV-A19/X18/9W/40/D	9	60W	E26	120	25,000	220°	800	4000	80	Y	Y	4.4	40
1762550	N	VIV-A19/X18/9W/50/D	9	60W	E26	120	25,000	220°	800	5000	80	Y	Y	4.4	40
1762020	Y	VIV-A19/X18/6W/27/D	6	40W	E26	120	25,000	220°	450	2700	80	Y	Y	4.2	40
1762700	Y	VIV-A19/X18/6W/30/D	6	40W	E26	120	25,000	220°	450	3000	80	Y	Y	4.2	40
1762882	Y	VIV-A19/X18/6W/40/D	6	40W	E26	120	25,000	220°	450	4000	80	Y	Y	4.2	40

Ordering Information Example: VIV-A19/X18/15W/27/D

LED CLASS	LAMP TYPE	SERIES	WATTAGE	CCT(K)	DIMMABLE
VIV (Vivid)	A19	X18	15W	50 (5000K) 40 (4000K) 30 (3000K) 27 (2700K)	D (dimmable) Blank (non dimmable)



LED LAMP

PURE VISION

PV-A19



Features & Benefits

Energy Star listed*, Dimmable*

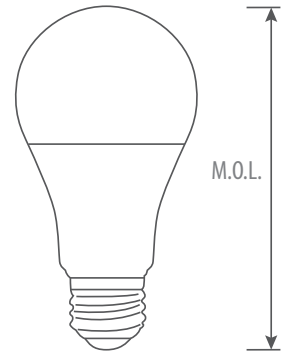
15,000 hour average life

High CRI (80+)

Enclosed fixture application*

Damp location approved

Dimensional drawing



Warranty & Cautions

3-year limited warranty, 2-year for PV-A19/18

Operating temperature range between -40°C and +45°C

UL/cUL listed, FCC compliant, RoHS compliant

* For applicable models, see product specification below

Ordering Information Example: PV-A19/X2/12W/27

LED CLASS	LAMP TYPE	WATTAGE	CCT(K)
PV (Pure Vision)	A19 A19/18 A19/X2	6W, 9W 10W, 12W	50 (5000K), 40 (4000K) 35 (3500K), 30 (3000K) 27 (2700K)

Product Specification

Ordering Code	ES	Model Number	Watts	Replacement Incandescent	Base	Voltage (V)	Hour Rating	Beam Angle	Initial Lumens(lm)	CCT(K)	CRI	Enclosed Fixture Application	Damp LOC.	M.O.L. (inch)	Case QTY.
PV-A19 (Dimmable)															
1732218	Y	PV-A19/9W/30/D	9	60W	E26	120	15,000	220°	800	3000	80	Y	Y	4.3	40
1732417	Y	PV-A19/9W/40/D	9	60W	E26	120	15,000	220°	800	4000	80	Y	Y	4.3	40
PV-A19 (Non dimmable)															
1732215	N	PV-A19/18/9W/30/SE	9	60W	E26	120	15,000	220°	800	3000	80	-	Y	4.3	40
1732214	N	PV-A19/18/9W/30	9	60W	E26	120	15,000	220°	800	3000	80	-	Y	4.3	40
1732414	N	PV-A19/18/9W/40	9	60W	E26	120	15,000	220°	800	4000	80	-	Y	4.3	40
1732514	N	PV-A19/18/9W/50	9	60W	E26	120	15,000	220°	800	5000	80	-	Y	4.3	40
1732111	Y	PV-A19/X2/12W/27	12	75W	E26	120	15,000	220°	1100	2700	80	Y	Y	4.3	40
1732212	Y	PV-A19/X2/12W/30	12	75W	E26	120	15,000	220°	1100	3000	80	Y	Y	4.3	40
1732412	Y	PV-A19/X2/12W/40	12	75W	E26	120	15,000	220°	1100	4000	80	Y	Y	4.3	40
1732512	Y	PV-A19/X2/12W/50	12	75W	E26	120	15,000	220°	1100	5000	80	Y	Y	4.3	40
1732110	Y	PV-A19/10W/27	10	60W	E26	120	15,000	220°	800	2700	80	Y	Y	4.3	40
1732210	Y	PV-A19/10W/30	10	60W	E26	120	15,000	220°	800	3000	80	Y	Y	4.3	40
1732305	Y	PV-A19/10W/35	10	60W	E26	120	15,000	220°	800	3500	80	Y	Y	4.3	40
1732410	Y	PV-A19/10W/40	10	60W	E26	120	15,000	220°	800	4000	80	Y	Y	4.3	40
1732507	Y	PV-A19/10W/50	10	60W	E26	120	15,000	220°	800	5000	80	Y	Y	4.3	40
1732213	Y	PV-A19/6W/30	6	40W	E26	120	15,000	220°	450	5000	80	Y	Y	4.3	40



LED LAMP

VIVID Series



VIV-B10/B11, VIV-G25/G16 VIV-MR11, VIV-G9



Features & Benefits

Energy Star listed*

Suitable for enclosed fixtures*

Dimmable*, High CRI (80+)

Damp location rated*

* For applicable models, see product specification below

Warranty & Cautions

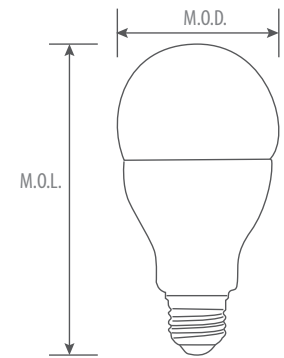
3-year limited warranty from the date of purchase

Operating temperature between -20°C and +45°C

Ordering Information Example: VIV-A19/8W/27/D/GU

LED CLASS	LAMP TYPE	WATTAGE	CCT(K)	BASE	DIMMABLE	OTHER
VIV (Vivid)	B10, B11 G25, G16 MR11 G9	8W 7W 4.5W 2.5W	27 (2700K) 30 (3000K) 40 (4000K)	E12	D (dimmable) Blank (non dimmable)	GU4 (Base GU4) S (Silver Colour) FL (Beam Spread Flood)

Dimensional drawing



Product Specification

Ordering Code	ES	Model Number	Watts	Replacement Incandescent	Base	Voltage (V)	Hour Rating	Beam Angle	Initial Lumens(lm)	CCT(K)	CRI	EFA ¹	Damp LOC.	M.O.D. (inch)	M.O.L. (inch)	Case QTY.
B10/B11																
1762151	Y	VIV-B11/7W/27/E12/D	7	40W	E12	120	25,000	230°	500	2700	80	-	Y	-	4.4	50
1762154	Y	VIV-B11/7W/27/D	7	40W	E26	120	25,000	230°	500	2700	80	-	Y	-	4.4	50
1761109	Y	VIV-B10/4.5W/27/E12/D	4.5	25W	E12	120	25,000	230°	310	2700	80	-	Y	-	4.0	50
1761110	Y	VIV-B10/4.5W/27/E12/D/S	4.5	25W	E12	120	25,000	230°	310	2700	80	-	Y	-	4.0	50
G25/G16																
1762128	Y	VIV-G25/8W/27/D	8	40W	E26	120	25,000	170°	500	2700	80	-	Y	-	4.4	20
1761111	Y	VIV-G16/4.5W/27/E12/D	4.5	25W	E12	120	25,000	230°	310	2700	80	-	Y	-	3.3	50
MR11																
1761237	N	VIV-MR11/2.5W/30/FL/GU4	2.5	10W	GU4	12	30,000	30°	130	3000	80	-	-	1.4	1.5	200
G9																
1761243	N	VIV-G9/2.5W/30/D	2.5	20W	G9	120	25,000		200	3000	80	Y	Y	-	2.1	100
1761436	N	VIV-G9/2.5W/40/D	2.5	20W	G9	120	25,000		200	4000	80	Y	Y	-	2.1	100

¹ Enclosed Fixture Application





LED LAMP

VIVID Series

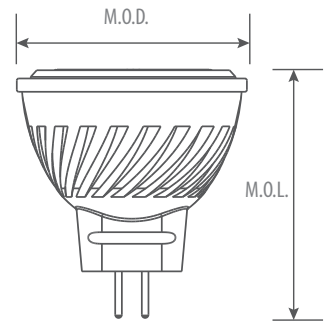


VIV-MR11/3W

Features & Benefits

3W replaces 20W incandescent	25,000 hour average life
12V GU4 base	Suitable for the enclosed fixture, Damp location rated
Flood beam spread	High CRI (80+), non-dimmable

Dimensional drawing



Warranty & Cautions

2-year limited warranty
Operating temperature range between -20°C and +45°C
UL/cUL listed, FCC compliant, RoHS compliant

Product Specification

Ordering Code	Model Number	Watts	Replacement Incandescent	Base	Voltage (V)	Hour Rating	Beam Angle	Initial Lumens(lm)	CCT(K)	CRI	C.B.C.P.	M.O.D. (inch)	M.O.L. (inch)	Case QTY.
1761244	VIV-MR11/3W/30/FL/GU4	3	20W	GU4	12	25,000	30°	200	3000	80	600	1.38	1.5	200

Ordering Information Example: VIV-MR11/3W/30/FL/GU4

LED CLASS	LAMP TYPE	WATTAGE	CCT(K)	BEAM SPREAD	BASE
VIV (Vivid)	MR11	3W	30 (3000K)	FL (Flood)	GU4



LED LAMP
HD Series
VASO Series



HD-MR16, VASO-MR16



Features & Benefits

Energy Star listed, 25,000 hour average life
 Suitable for enclosed fixtures*

Dimmable, High CRI (80+)
 Damp location rated

* For applicable models, see product specification below

Warranty & Cautions

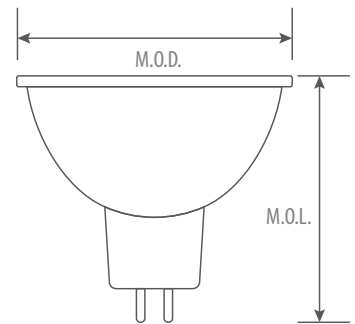
3-year limited warranty from the date of purchase

Operating temperature between -20°C and +45°C

Ordering Information Example: VIV-A19/8W/27/D/GU

LED CLASS	LAMP TYPE	WATTAGE	CCT(K)	BASE	DIMMABLE	OTHER
VASO HD	MR16	9W 7W 6W	27 (2700K) 30 (3000K) 40 (4000K)	GU5.3 GU10	D (dimmable) Blank (non dimmable)	HL (High Lumen) I90 (CRI 90)

Dimensional drawing



Product Specification

Ordering Code	ES	Model Number	Watts	Replacement Incandescent	Base	Voltage (V)	Hour Rating	Beam Angle	Initial Lumens(lm)	CCT(K)	CRI	C.B.C.P	Enclosed Fixture Application	Damp LOC.	M.O.D. (inch)	M.O.L. (inch)	Case QTY.
HD-MR16																	
1782225	Y	HD-MR16/9W/30/SP15/GU5.3/D/HL	9	60W	GU5.3	12	25,000	15°	685	3000	80	6800	Y	Y	1.97	1.87	50
1782226	Y	HD-MR16/9W/30/FL25/GU5.3/D/HL	9	60W	GU5.3	12	25,000	25°	685	3000	80	3200	Y	Y	1.97	1.87	50
1782227	Y	HD-MR16/9W/30/FL35/GU5.3/D/HL	9	60W	GU5.3	12	25,000	35°	685	3000	80	1850	Y	Y	1.97	1.87	50
1782228	Y	HD-MR16/9W/30/FL35/GU5.3/D/I90	9	40W	GU5.3	12	25,000	35°	565	3000	90	1463	Y	Y	1.97	1.87	50
1762177	Y	HD-MR16/7W/27/FL35/GU5.3/D	7	40W	GU5.3	12	25,000	35°	500	2700	80	1340	Y	Y	1.96	2.0	50
1762257	Y	HD-MR16/7W/30/FL35/GU5.3/D	7	40W	GU5.3	12	25,000	35°	500	3000	80	1345	Y	Y	1.96	2.0	50
1762456	Y	HD-MR16/7W/40/FL35/GU5.3/D	7	40W	GU5.3	12	25,000	35°	500	4000	80	1350	Y	Y	1.96	2.0	50
VASO-MR16, Glass Housing																	
1762198	Y	VASO-MR16/6W/27/FL35/GU5.3/D	6	40W	GU5.3	12	25,000	35°	450	2700	80	877	Y	Y	1.97	1.8	50
1762760	Y	VASO-MR16/6W/30/FL35/GU5.3/D	6	40W	GU5.3	12	25,000	35°	450	3000	80	877	Y	Y	1.97	1.8	50
1762847	Y	VASO-MR16/6W/40/FL35/GU5.3/D	6	40W	GU5.3	12	25,000	35°	450	4000	80	877	Y	Y	1.97	1.8	50
1762038	Y	VASO-MR16/7W/30/WFL40/GU10/D	7	50W	GU10	120	25,000	40°	520	3000	80	895	-	Y	1.97	2.17	50
1762894	Y	VASO-MR16/7W/40/WFL40/GU10/D	7	50W	GU10	120	25,000	40°	520	4000	80	895	-	Y	1.97	2.17	50



LED LAMP

VIVID Series



VIV-MR16



Features & Benefits

Energy Star listed	25,000 hour average life
7W/6.5W replaces 50W/40W incandescent	Damp location approved
High CRI (80+), dimmable	

Warranty & Cautions

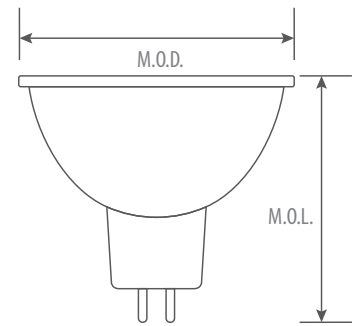
3-year limited warranty	Operating temperature range between -20°C and +45°C
-------------------------	---

Ordering Information

Example: VIV-MR16/6.5W/27/WFL35/JDR/S/D

LED CLASS	LAMP TYPE	WATTAGE	CCT(K)	BEAM ANGLE	BASE	NECK LENGTH	DIMMABLE
VIV (Vivid)	MR16 MR16/T3	7W 6.5W	50 (5000K) 40 (4000K) 30 (3000K) 27 (2700K)	WFL40 (40°) WFL35 (35°) FL25 (25°)	JDR (E26) GU10 GU5.3	L (Long) S (Short)	D (dimmable) Blank (non dimmable)

Dimensional drawing



Product Specification

Ordering Code	ES	Model Number	Watts	Replacement Incandescent	Base	Voltage (V)	Hour Rating	Beam Angle	Initial Lumens(lm)	CCT(K)	CRI	C.B.C.P	Enclosed Fixture Application	Damp LOC.	M.O.D. (inch)	M.O.L. (inch)	Case QTY.
1752202	Y	VIV-MR16/T3/7W/30/WFL40/GU5.3/D	7	50W	GU5.3	12	25,000	40°	500	3000	80	1251	-	Y	1.97	1.8	100
1752402	Y	VIV-MR16/T3/7W/40/WFL40/GU5.3/D	7	50W	GU5.3	12	25,000	40°	500	4000	80	1251	-	Y	1.97	1.8	100
1762013	Y	VIV-MR16/6.5W/27/FL25/GU10/D	6.5	40W	GU10	120	25,000	25°	480	2700	80	1442	-	Y	1.97	2.17	50
1762787	Y	VIV-MR16/6.5W/30/FL25/GU10/D	6.5	40W	GU10	120	25,000	25°	480	3000	80	1442	-	Y	1.97	2.17	50
1762870	Y	VIV-MR16/6.5W/40/FL25/GU10/D	6.5	40W	GU10	120	25,000	25°	480	4000	80	1495	-	Y	1.97	2.17	50
1762014	Y	VIV-MR16/6.5W/27/WFL35/GU10/D	6.5	40W	GU10	120	25,000	35°	480	2700	80	1080	-	Y	1.97	2.17	50
1762788	Y	VIV-MR16/6.5W/30/WFL35/GU10/D	6.5	40W	GU10	120	25,000	35°	480	3000	80	1080	-	Y	1.97	2.17	50
1762871	Y	VIV-MR16/6.5W/40/WFL35/GU10/D	6.5	40W	GU10	120	25,000	35°	480	4000	80	1168	-	Y	1.97	2.17	50
1762009	N	VIV-MR16/6.5W/27/FL25/JDR/S/D	6.5	40W	E26	120	25,000	25°	500	2700	80	1495	-	Y	1.97	2.28	50
1762789	N	VIV-MR16/6.5W/30/FL25/JDR/S/D	6.5	40W	E26	120	25,000	25°	500	3000	80	1495	-	Y	1.97	2.28	50
1762872	N	VIV-MR16/6.5W/40/FL25/JDR/S/D	6.5	40W	E26	120	25,000	25°	500	4000	80	1495	-	Y	1.97	2.28	50
1762010	N	VIV-MR16/6.5W/27/WFL35/JDR/S/D	6.5	40W	E26	120	25,000	35°	500	2700	80	1080	-	Y	1.97	2.28	50
1762790	N	VIV-MR16/6.5W/30/WFL35/JDR/S/D	6.5	40W	E26	120	25,000	35°	500	3000	80	1080	-	Y	1.97	2.28	50
1762873	N	VIV-MR16/6.5W/40/WFL35/JDR/S/D	6.5	40W	E26	120	25,000	35°	500	4000	80	1080	-	Y	1.97	2.28	50
1762544	N	VIV-MR16/6.5W/50/WFL35/JDR/S/D	6.5	40W	E26	120	25,000	35°	500	5000	80	1080	-	Y	1.97	2.28	50
1762011	Y	VIV-MR16/6.5W/27/FL25/JDR/L/D	6.5	40W	E26	120	25,000	25°	480	2700	80	1442	-	Y	1.97	2.84	50
1762791	Y	VIV-MR16/6.5W/30/FL25/JDR/L/D	6.5	40W	E26	120	25,000	25°	480	3000	80	1442	-	Y	1.97	2.84	50
1762874	Y	VIV-MR16/6.5W/40/FL25/JDR/L/D	6.5	40W	E26	120	25,000	25°	480	4000	80	1495	-	Y	1.97	2.84	50
1762012	Y	VIV-MR16/6.5W/27/WFL35/JDR/L/D	6.5	40W	E26	120	25,000	35°	480	2700	80	1080	-	Y	1.97	2.84	50
1762792	Y	VIV-MR16/6.5W/30/WFL35/JDR/L/D	6.5	40W	E26	120	25,000	35°	480	3000	80	1080	-	Y	1.97	2.84	50
1762875	Y	VIV-MR16/6.5W/40/WFL35/JDR/L/D	6.5	40W	E26	120	25,000	35°	480	4000	80	1168	-	Y	1.97	2.84	50



LED LAMP

HD Series

HD-PAR38, HD-PAR30LN, HD-PAR30



Features & Benefits

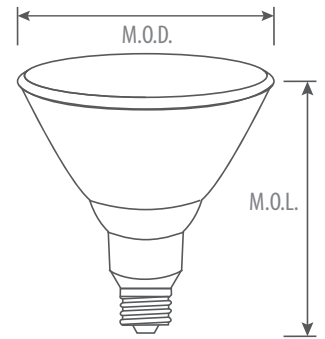
- Outstanding high lumen output, for premium and high ceiling applications
- May be used to replace high lumen PAR, including Ceramic Metal Halide (CMH)
- 3 different beam angles (PAR 38/26W) to meet all your lighting needs
- Excellent performance for task lighting
- 50,000 hour average life, Energy Star listed*
- Energy saving up to 80% (compared with CMH)
- Enclosed fixture application and wet location approved*
- High CRI (Up to 90+)

Warranty & Cautions

- 5-year (ES approved), 3-year (non ES) limited warranty
- Operating temperature range between -20°C and +40°C
- UL/cUL listed, FCC compliant, RoHS compliant
- For replacement of CMH lamp types, you need to disconnect ballasts before installation

* ES listing in process, expected date of Jan 2019. For applicable models, see product specification below.

Dimensional drawing



Product Specification

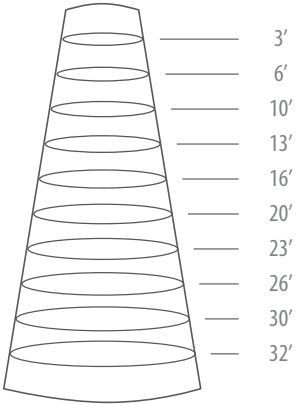
Ordering Code	ES*	Model Number	Watts	Replacement CMH	Base	Voltage (V)	Hour Rating	Beam Angle	Initial Lumens(lm)	CCT(K)	CRI	C.B.C.P. (cd)	EFA ¹	Wet LOC.*	Damp LOC.	M.O.D. (inch)	M.O.L. (inch)	Case QTY.
HD-PAR38 (non dimmable)																		
1785203	Y	HD-PAR38/38W/30/FL25	38	100W	E26	120	50,000	25°	4000	3000	80	17500	N	Y	Y	4.75	5.04	10
1785200	Y	HD-PAR38/38W/30/WFL40	38	100W	E26	120	50,000	40°	4000	3000	80	8000	N	Y	Y	4.75	5.04	10
1785400	Y	HD-PAR38/38W/40/WFL40	38	100W	E26	120	50,000	40°	4000	4000	80	8000	N	Y	Y	4.75	5.04	10
HD-PAR38 (dimmable)																		
1784201	Y	HD-PAR38/26W/30/SP15/D	26	70W	E26	120	50,000	15°	2400	3000	90	20000	Y	Y	Y	4.75	5.04	10
1784202	Y	HD-PAR38/26W/30/FL25/D	26	70W	E26	120	50,000	25°	2400	3000	90	11000	Y	Y	Y	4.75	5.04	10
1784203	Y	HD-PAR38/26W/30/WFL40/D	26	70W	E26	120	50,000	40°	2400	3000	90	4000	Y	Y	Y	4.75	5.04	10
1784405	Y	HD-PAR38/26W/40/SP15/D	26	70W	E26	120	50,000	15°	2400	4000	90	20000	Y	Y	Y	4.75	5.04	10
1784406	Y	HD-PAR38/26W/40/FL25/D	26	70W	E26	120	50,000	25°	2400	4000	90	11000	Y	Y	Y	4.75	5.04	10
1784407	Y	HD-PAR38/26W/40/WFL40/D	26	70W	E26	120	50,000	40°	2400	4000	90	4000	Y	Y	Y	4.75	5.04	10
HD-PAR30LN																		
1785201	Y	HD-PAR30LN/33W/30/FL25/D	33	70W	E26	120	50,000	25°	3000	3000	90	13000	N	N	Y	3.75	4.65	12
1785202	Y	HD-PAR30LN/33W/30/WFL40/D	33	70W	E26	120	50,000	40°	3000	3000	90	6500	N	N	Y	3.75	4.65	12
HD-PAR30																		
1782225	N	HD-PAR30/11W/30/FL25/D	11	39W	E26	120	40,000	25°	1100	3000	80	2910	Y	N	Y	3.75	3.58	30
1782226	N	HD-PAR30/11W/30/WFL40/D	11	39W	E26	120	40,000	40°	1100	3000	80	1315	Y	N	Y	3.75	3.58	30

¹ Enclosed Fixture Application



HD-PAR38, HD-PAR30LN, HD-PAR30

Accent Lighting Performance



HD-PAR38/26W/30/WFL40/D

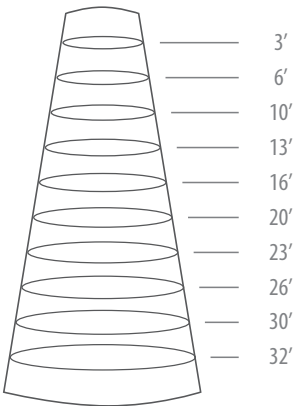
Distance	Footcandles	Diameter
3'	573.5	2.22'
6'	143.4	4.44'
10'	51.6	7.41'
13'	30.5	9.63'
16'	20.2	11.85'
20'	12.9	14.81'
23'	9.8	17.03'
26'	7.6	19.25'
30'	5.7	22.22'
32'	5	23.70'

HD-PAR38/26W/30/FL25/D

Distance	Footcandles	Diameter
3'	1322	1.11'
6'	330.5	2.22'
10'	119	3.70'
13'	70.4	4.81'
16'	46.5	5.92'
20'	29.8	7.41'
23'	22.5	8.52'
26'	17.6	9.63'
30'	13.2	11.11'
32'	11.6	11.85'

HD-PAR38/26W/30/SP15/D

Distance	Footcandles	Diameter
3'	1961	0.81'
6'	490.2	1.63'
10'	176.5	2.71'
13'	104.4	3.52'
16'	68.9	4.34'
20'	44.1	5.42'
23'	33.4	6.23'
26'	26.1	7.05'
30'	19.6	8.13'
32'	17.2	8.67'



HD-PAR38/38W/30/WFL40

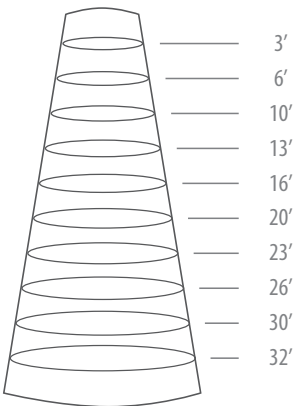
Distance	Footcandles	Diameter
3'	901.7	2.19'
6'	225.4	4.38'
10'	81.2	7.31'
13'	48	9.50'
16'	31.7	11.69'
20'	20.3	14.61'
23'	15.3	16.80'
26'	12	19.00'
30'	9	21.92'
32'	7.9	23.38'

HD-PAR38/38W/30/FL25

Distance	Footcandles	Diameter
3'	2264	1.04'
6'	566.1	2.07'
10'	203.8	3.45'
13'	120.6	4.49'
16'	79.6	5.52'
20'	50.9	6.91'
23'	38.5	7.94'
26'	30.2	8.97'
30'	22.6	10.35'
32'	19.9	11.04'

HD-PAR30LN/33W/30/WFL40/D

Distance	Footcandles	Diameter
3'	712.7	2.03'
6'	178.2	4.05'
10'	64.1	6.76'
13'	37.9	8.78'
16'	25.1	10.81'
20'	16	13.51'
23'	12.1	15.54'
26'	9.5	17.56'
30'	7.1	20.27'
32'	6.3	21.62'



HD-PAR30LN/33W/30/FL25/D

Distance	Footcandles	Diameter
3'	1186	1.22'
6'	296.6	2.43'
10'	106.8	4.06'
13'	63.2	5.27'
16'	41.7	6.49'
20'	26.7	8.11'
23'	20.2	9.33'
26'	15.8	10.54'
30'	11.9	12.17'
32'	10.4	12.98'

HD-PAR30/11W/30/WFL40/D

Distance	Footcandles	Diameter
3'	248	2.02'
6'	62	4.03'
10'	22.3	6.73'
13'	13.2	8.75'
16'	8.7	10.77'
20'	5.6	13.46'
23'	4.2	15.48'
26'	3.3	17.5'
30'	2.5	20.19'
32'	2.2	21.54'

HD-PAR30/11W/30/FL25/D

Distance	Footcandles	Diameter
3'	480.5	1.15'
6'	120.1	2.30'
10'	43.2	3.83'
13'	25.6	4.97'
16'	16.9	6.12'
20'	10.8	7.65'
23'	8.2	8.80'
26'	6.4	9.94'
30'	4.8	11.47'
32'	4.2	12.24'

Ordering Information Example: HD-PAR38/26W/30/SP15/D

LED CLASS	LAMP TYPE	WATTAGE	CCT(K)	BEAM ANGLE	DIMMABLE
HD	PAR38	26W, 38W	30 (3000K) 40 (4000K)	SP15 (15°) FL25 (25°) WFL40 (40°)	D (dimmable) Blank (non dimmable)
	PAR30LN (Long Neck)	33W			
	PAR30	11W			



LED LAMP

PURE VISION



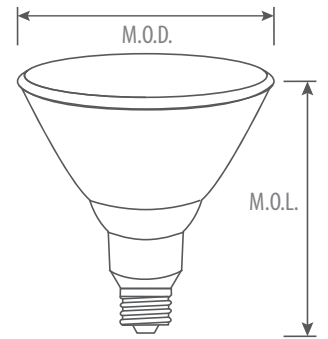
PV-PAR38, PV-PAR30, PV-PAR20



Features & Benefits

Energy Star listed ,unique halogen looking lens design	Black housing available
Beam angle 40° & 25°, with wide color temperature options*	25,000 hour average life
High CRI (80+), dimmable**	Enclosed fixture application
16W replaces 120W halogen, 13W replaces 90W halogen, 12W replaces 75W halogen, 7W replaces 50W halogen	Wet location approved

Dimensional drawing



Warranty & Cautions

3-year limited warranty
Operating temperature range between -20°C and +50°C
UL/cUL listed, FCC compliant, RoHS compliant

* PAR30LN, PAR20 5000K ES available. ** Check the dimmer compatibility list on our website www.turolight.com

Product Specification

Ordering Code	ES	Model Number	Watts	Base	Voltage (V)	Hour Rating	Beam Angle	Initial Lumens(lm)	CCT(K)	CRI	C.B.C.P. (cd)	EFA ¹	Wet LOC.	Damp LOC.	M.O.D. (inch)	M.O.L. (inch)	Case QTY.
PV-PAR38																	
1733100	Y	PV-PAR38/16W/27/WFL40/D/ES	16	E26	120	25,000	40°	1400	2700	80	2270	Y	Y	Y	4.8	5.31	20
1733201	Y	PV-PAR38/16W/30/WFL25/D/ES	16	E26	120	25,000	25°	1400	3000	80	2270	Y	Y	Y	4.8	5.31	20
1733200	Y	PV-PAR38/16W/30/WFL40/D/ES	16	E26	120	25,000	40°	1400	3000	80	2270	Y	Y	Y	4.8	5.31	20
1733300	Y	PV-PAR38/16W/35/WFL40/D/ES	16	E26	120	25,000	40°	1400	3500	80	2270	Y	Y	Y	4.8	5.31	20
1733401	Y	PV-PAR38/16W/40/WFL25/D/ES	16	E26	120	25,000	25°	1400	4000	80	2270	Y	Y	Y	4.8	5.31	20
1733400	Y	PV-PAR38/16W/40/WFL40/D/ES	16	E26	120	25,000	40°	1400	4000	80	2270	Y	Y	Y	4.8	5.31	20
1733500	Y	PV-PAR38/16W/50/WFL40/D/ES	16	E26	120	25,000	40°	1400	5000	80	2270	Y	Y	Y	4.8	5.31	20
1732105	Y	PV-PAR38/13W/27/WFL40/D/ES	13	E26	120	25,000	40°	910	2700	80	1533	Y	Y	Y	4.8	5.31	20
1732205	Y	PV-PAR38/13W/30/WFL40/D/ES	13	E26	120	25,000	40°	910	3000	80	1533	Y	Y	Y	4.8	5.31	20
1732304	Y	PV-PAR38/13W/35/WFL40/D/ES	13	E26	120	25,000	40°	910	3500	80	1533	Y	Y	Y	4.8	5.31	20
1732404	Y	PV-PAR38/13W/40/WFL40/D/ES	13	E26	120	25,000	40°	910	4000	80	1533	Y	Y	Y	4.8	5.31	20
1732505	Y	PV-PAR38/13W/50/WFL40/D/ES	13	E26	120	25,000	40°	910	5000	80	1533	Y	Y	Y	4.8	5.31	20

¹ Enclosed Fixture Application



PV-PAR38, PV-PAR30LN, PV-PAR20

Ordering Code	ES	Model Number	Watts	Base	Voltage (V)	Hour Rating	Beam Angle	Initial Lumens(lm)	CCT(K)	CRI	C.B.C.P. (cd)	EFA ¹	Wet LOC.	Damp LOC.	M.O.D. (inch)	M.O.L. (inch)	Case QTY.	
PV-PAR30																		
1732206	Y	PV-PAR30LN/12W/30/FL25/D/ES	12	E26	120	25,000	25°	840	3000	80	2910	Y	Y	Y	3.74	4.84	30	
1732107	Y	PV-PAR30LN/12W/27/WFL40/D/ES	12	E26	120	25,000	40°	840	2700	80	1315	Y	Y	Y	3.74	4.84	30	
1732207	Y	PV-PAR30LN/12W/30/WFL40/D/ES	12	E26	120	25,000	40°	840	3000	80	1315	Y	Y	Y	3.74	4.84	30	
1732406	Y	PV-PAR30LN/12W/40/WFL40/D/ES	12	E26	120	25,000	40°	840	4000	80	1315	Y	Y	Y	3.74	4.84	30	
1762886	Y	PV-PAR30LN/12W/30/WFL40/D/ES/BK	12	E26	120	25,000	40°	840	3000	80	1315	Y	Y	Y	3.74	4.84	30	
1732216	Y	PV-PAR30/12W/30/WFL40/D/ES	12	E26	120	25,000	40°	840	3000	80	1315	Y	Y	Y	3.74	3.50	30	
PV-PAR20																		
1732109	Y	PV-PAR20/7W/27/WFL40/D/ES	7	E26	120	25,000	40°	500	2700	80	593	Y	Y	Y	2.47	3.46	50	
1732209	Y	PV-PAR20/7W/30/WFL40/D/ES	7	E26	120	25,000	40°	500	3000	80	593	Y	Y	Y	2.47	3.46	50	
1732408	Y	PV-PAR20/7W/40/WFL40/D/ES	7	E26	120	25,000	40°	500	4000	80	593	Y	Y	Y	2.47	3.46	50	
1762887	Y	PV-PAR20/7W/30/WFL40/D/ES/BK	7	E26	120	25,000	40°	500	4000	80	593	Y	Y	Y	2.47	3.46	50	

Ordering Information Example: PV-PAR38/13W/27/FL25/D/ES

LED CLASS	LAMP TYPE	WATTAGE	CCT(K)	BEAM ANGLE	DIMMABLE	ENERGY STAR	Housing Colour
PV	PAR38	16W	50, 40	WFL40 (40°) FL25 (25°)	D	ES	BK (Black) Blank(White)
	PAR30	13W	35, 30				
	PAR30LN (Long Neck)	12W	27				
	PAR20	7W					

LED LAMP

VIVID Series

DirectFit T5 Lamp



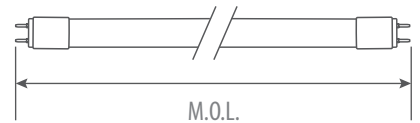
VIV-T5DFSP4



Features & Benefits

DLC approved ¹	Suitable for splash zones of food equipment
Direct Fit , Frost Shatterproof	50,000 hour life (L70)
NSF/ANSI 2 Certified ²	Fits into existing linear fixtures
Replaces T5 HO & T5 HE	Compatible with most program start ballast ³
180° Beam angle, High CRI (83+)	

Dimensional drawing



Warranty & Cautions

5-year limited warranty for DLC listed lamps / 3-year limited warranty for non-DLC*

Bulb wall temperature range between -20°C and +45°C

Not recommended to use with ballast 5 years or older

*Please check the "Turolight LED Limited Warranty" for details

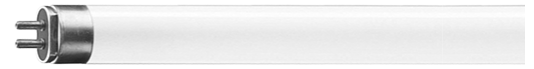
Product Specification

Ordering Code	DLC	Model Number	Description	Wattage		Lum/W	Base	Voltage (V)	Hour Rating	Beam Angle	Initial Lumen (lm)	CCT(K)	CRI	M.O.L. (inch)	Case QTY.
				Lamp Power (W)	System Power (W)										
Replaces T5 HO															
1762351	-	VIV-T5DFSP4/9W/35/F	Direct Fit 2ft 9W G5 35K Frost Shatterproof	9	12	83.3	G5	120-277, 347	50,000	180	1000	3500	83	24	25
1762848	-	VIV-T5DFSP4/9W/40/F	Direct Fit 2ft 9W G5 40K Frost Shatterproof	9	12	83.3	G5	120-277, 347	50,000	180	1000	4000	83	24	25
1762529	-	VIV-T5DFSP4/9W/50/F	Direct Fit 2ft 9W G5 50K Frost Shatterproof	9	12	83.3	G5	120-277, 347	50,000	180	1000	5000	83	24	25
1763314	-	VIV-T5DFSP4/18W/35/F	Direct Fit 3ft 18W G5 35K Frost Shatterproof	18	21	81.0	G5	120-277, 347	50,000	180	1700	3500	83	36	25
1763434	-	VIV-T5DFSP4/18W/40/F	Direct Fit 3ft 18W G5 40K Frost Shatterproof	18	21	81.0	G5	120-277, 347	50,000	180	1700	4000	83	36	25
1763513	-	VIV-T5DFSP4/18W/50/F	Direct Fit 3ft 18W G5 50K Frost Shatterproof	18	21	81.0	G5	120-277, 347	50,000	180	1700	5000	83	36	25
1764208	Y	VIV-T5DFSP4/25W/30/F	Direct Fit 4ft 25W G5 30K Frost Shatterproof	25	28	112.5	G5	120-277, 347	50,000	180	3150	3000	83	48	25
1764304	Y	VIV-T5DFSP4/25W/35/F	Direct Fit 4ft 25W G5 35K Frost Shatterproof	25	28	112.5	G5	120-277, 347	50,000	180	3150	3500	83	48	25
1764404	Y	VIV-T5DFSP4/25W/40/F	Direct Fit 4ft 25W G5 40K Frost Shatterproof	25	28	114.3	G5	120-277, 347	50,000	180	3200	4000	83	48	25
1764505	Y	VIV-T5DFSP4/25W/50/F	Direct Fit 4ft 25W G5 50K Frost Shatterproof	25	28	117.9	G5	120-277, 347	50,000	180	3300	5000	83	48	25
Replaces T5 HE															
1762352	-	VIV-T5DFSP4/6W/35/F	Direct Fit 2ft 6W G5 35K Frost Shatterproof	6	9	100.0	G5	120-277, 347	50,000	180	900	3500	83	24	25
1762849	-	VIV-T5DFSP4/6W/40/F	Direct Fit 2ft 6W G5 40K Frost Shatterproof	6	9	105.6	G5	120-277, 347	50,000	180	950	4000	83	24	25
1762530	-	VIV-T5DFSP4/6W/50/F	Direct Fit 2ft 6W G5 50K Frost Shatterproof	6	9	111.1	G5	120-277, 347	50,000	180	1000	5000	83	24	25
1762353	-	VIV-T5DFSP4/9W/35/F/3FT	Direct Fit 3ft 9W G5 35K Frost Shatterproof	9	12	87.5	G5	120-277, 347	50,000	180	1050	3500	83	36	25
1762850	-	VIV-T5DFSP4/9W/40/F/3FT	Direct Fit 3ft 9W G5 40K Frost Shatterproof	9	12	100.0	G5	120-277, 347	50,000	180	1200	4000	83	36	25
1762531	-	VIV-T5DFSP4/9W/50/F/3FT	Direct Fit 3ft 9W G5 50K Frost Shatterproof	9	12	108.3	G5	120-277, 347	50,000	180	1300	5000	83	36	25
1762793	Y	VIV-T5DFSP4/13W/30/F	Direct Fit 4ft 13W G5 30K Frost Shatterproof	13	16	112.5	G5	120-277, 347	50,000	180	1800	3000	83	48	25
1762354	Y	VIV-T5DFSP4/13W/35/F	Direct Fit 4ft 13W G5 35K Frost Shatterproof	13	16	112.5	G5	120-277, 347	50,000	180	1800	3500	83	48	25
1762851	Y	VIV-T5DFSP4/13W/40/F	Direct Fit 4ft 13W G5 40K Frost Shatterproof	13	16	115.6	G5	120-277, 347	50,000	180	1850	4000	83	48	25
1762532	Y	VIV-T5DFSP4/13W/50/F	Direct Fit 4ft 13W G5 50K Frost Shatterproof	13	16	126.7	G5	120-277, 347	50,000	180	1900	5000	83	48	25



LED LAMP

VIVID Series



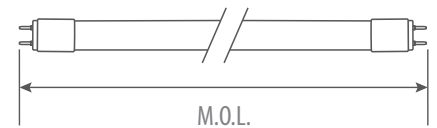
VIV-T5DF4



Features & Benefits

DLC approved	NSF/ANSI 2 Certified ¹
All glass construction , aluminium end caps	Suitable for splash zones of food equipment
50,000 hour life (L70)	Fits into existing linear fixtures
220° Beam angle, High CRI (83+)	Compatible with most program start ballast ²
Replaces T5 HO & T5 HE	¹ Need to work with NSF certified lighting fixtures ² Contact your sales person or check www.turolight.com for ballast compatibility list

Dimensional drawing



Warranty & Cautions

5-year limited warranty for DLC listed lamps / 3-year limited warranty for non-DLC*

Bulb wall temperature range between -20°C and +45°C

Not recommended to use with ballast 5 years or older

*Please check the "Turolight LED Limited Warranty" for details

Product Specification

Ordering Code	DLC	Model Number	Description	Wattage		Lum/W	Base	Voltage (V)	Hour Rating	Beam Angle	Initial Lumen (lm)	CCT(K)	CRI	M.O.L. (inch)	Case QTY.
				Lamp Power (W)	System Power (W)										
1764212	Y	VIV-T5DF4/25W/30/F	T5 Direct Fit 4ft 25W G5 30K Frost	25	28	112.5	G5	120-277, 347	50,000	220	3150	3000	83	48	25
1764307	Y	VIV-T5DF4/25W/35/F	T5 Direct Fit 4ft 25W G5 35K Frost	25	28	112.5	G5	120-277, 347	50,000	220	3150	3500	83	48	25
1764410	Y	VIV-T5DF4/25W/40/F	T5 Direct Fit 4ft 25W G5 40K Frost	25	28	114.3	G5	120-277, 347	50,000	220	3200	4000	83	48	25
1764509	Y	VIV-T5DF4/25W/50/F	T5 Direct Fit 4ft 25W G5 50K Frost	25	28	117.9	G5	120-277, 347	50,000	220	3300	5000	83	48	25
1762022	Y	VIV-T5DF4/13W/30/F	T5 Direct Fit 4ft 13W G5 30K Frost	13	16	112.5	G5	120-277, 347	50,000	220	1800	3000	83	48	25
1762366	Y	VIV-T5DF4/13W/35/F	T5 Direct Fit 4ft 13W G5 35K Frost	13	16	112.5	G5	120-277, 347	50,000	220	1800	3500	83	48	25
1762888	Y	VIV-T5DF4/13W/40/F	T5 Direct Fit 4ft 13W G5 40K Frost	13	16	115.6	G5	120-277, 347	50,000	220	1850	4000	83	48	25
1762552	Y	VIV-T5DF4/13W/50/F	T5 Direct Fit 4ft 13W G5 50K Frost	13	16	126.7	G5	120-277, 347	50,000	220	1900	5000	83	48	25

Ordering Information Example: VIV-T5DF4/25W/30/F

LED CLASS	LAMP TYPE	DIRECT FIT	WATTAGE	CCT(K)	FROST
VIV (Vivid)	T5	DF4 (Direct Fit, 4 th version)	25W 13W	50 (5000K) 40 (4000K) 35 (3500K) 30 (3000K)	F (Frost)



T8DFSP/N
High-transmittance nano-plastic, Shatterproof
No bending under high temperature

T8DFSP4
Plastic end caps, glass tube with PET cover, Shatterproof

Single Pin base, 8 ft length

T8DF4/ T8DF2
All glass construction , aluminium end caps (Linear)
Plastic body and end caps (U-Bend)



LED LAMP

VIVID Series

DirectFit T8 Lamp

VIV-T8DFSP/N, VIV-T8DFSP4
VIV-T8DF4, VIV-T8DF2

Features & Benefits

DLC approved, 50,000 hour life (L70), High CRI (83+)

NSF/ANSI 2 Certified¹ (T8DFSP4)
ETL Sanitation Certified² (T8DFSP/N)

Beam angle
220° (T8DF4, T8DF2), 180° (T8DFSP4), 160° (T8DFSP/N)

Direct replacement for T8 linear fluorescent

Fits into existing linear fixtures

Compatible with most Instant Start Ballast³ with input voltage of 120-277V and 347V

¹Need to work with NSF certified lighting fixtures
²Need to work with ETL Sanitation certified lighting fixtures
³For detail, you may contact your sales person or check www.turolight.com for ballast compatibility list

Warranty & Cautions

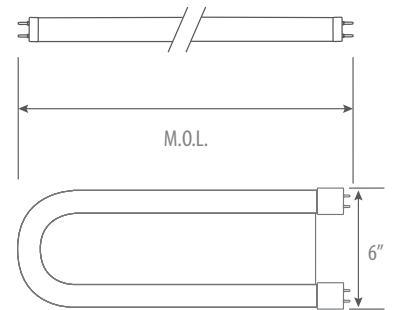
5-year limited warranty for DLC listed lamps / 3-year limited warranty for non-DLC*

Bulb wall temperature range between -20°C and +45°C

Not recommended to use with ballast 5 years or older

*Please check the "Turolight LED Limited Warranty" for details

Dimensional drawing



Product Specification

Ordering Code	DLC	Model Number	Nominal Lamp Power (Watts)	System Power (Watts)			Initial Lumen (lm)			Base	Voltage (V)	Hour Rating	Beam Angle	CCT(K)	CRI	M.O.L. (inch)	Case QTY.
				Low BF (0.78)	Normal BF (0.88)	High BF (1.16)	Low BF (0.78)	Normal BF (0.88)	High BF (1.16)								
T8DFSP/N (NANO)																	
1762023	Y	VIV-T8DFSP/N/15W/30/F	15	15	18	24	1700	2100	2800	G13	120-277, 347	50,000	160	3000	83	48	25
1762367	Y	VIV-T8DFSP/N/15W/35/F	15	15	18	24	1700	2100	2800	G13	120-277, 347	50,000	160	3500	83	48	25
1762884	Y	VIV-T8DFSP/N/15W/40/F	15	15	18	24	1800	2200	2900	G13	120-277, 347	50,000	160	4000	83	48	25
1762555	Y	VIV-T8DFSP/N/15W/50/F	15	15	18	24	1800	2200	2900	G13	120-277, 347	50,000	160	5000	83	48	25
T8DFSP4																	
1762867	Y	VIV-T8DFSP4/9W/40/F	9	9	12	17	950	1350	2050	G13	120-277, 347	50,000	180	4000	83	24	25
1762543	Y	VIV-T8DFSP4/9W/50/F	9	9	12	17	1000	1400	2100	G13	120-277, 347	50,000	180	5000	83	24	25
1762822	Y	VIV-T8DFSP4/13W/40/F	13	13	16	22	1500	1900	2600	G13	120-277, 347	50,000	180	4000	83	48	25
1762524	Y	VIV-T8DFSP4/13W/50/F	13	13	16	22	1600	2000	2700	G13	120-277, 347	50,000	180	5000	83	48	25
1763439	-	VIV-T8DFSP4/20W/40/F/5FT	20	20	23	30	1800	2200	2900	G13	120-277, 347	50,000	180	4000	83	60	25
1763517	-	VIV-T8DFSP4/20W/50/F/5FT	20	20	23	30	1900	2300	3000	G13	120-277, 347	50,000	180	5000	83	60	25
T8DF4/ T8DF2 Linear																	
1762024	Y	VIV-T8DF4/11W/30/F/3FT	11	11	14	20	1200	1600	2300	G13	120-277, 347	50,000	220	3000	83	36	25
1762368	Y	VIV-T8DF4/11W/35/F/3FT	11	11	14	20	1200	1600	2300	G13	120-277, 347	50,000	220	3500	83	36	25
1762889	Y	VIV-T8DF4/11W/40/F/3FT	11	11	14	20	1250	1650	2350	G13	120-277, 347	50,000	220	4000	83	36	25
1762554	Y	VIV-T8DF4/11W/50/F/3FT	11	11	14	20	1250	1650	2350	G13	120-277, 347	50,000	220	5000	83	36	25



VIV-T8DFSP/N , VIV-T8DFSP4, VIV-T8DF4, VIV-T8DF2

Ordering Code	DLC	Model Number	Nominal Lamp Power (Watts)	System Power (Watts)			Initial Lumen (lm)			Base	Voltage (V)	Hour Rating	Beam Angle	CCT(K)	CRI	M.O.L. (inch)	Case QTY.
				Low BF (0.78)	Normal BF (0.88)	High BF (1.16)	Low BF (0.78)	Normal BF (0.88)	High BF (1.16)								
1762883	Y	VIV-T8DF4/10.5W/40/F	10.5	10.5	13.5	19.5	1350	1750	2450	G13	120-277, 347	50,000	220	4000	83	48	25
1762551	Y	VIV-T8DF4/10.5W/50/F	10.5	10.5	13.5	19.5	1400	1800	2500	G13	120-277, 347	50,000	220	5000	83	48	25
1762025	Y	VIV-T8DF2/13W/30/F	13	13	16	22	1400	1800	2500	G13	120-277, 347	50,000	220	3000	83	48	25
1762369	Y	VIV-T8DF2/13W/35/F	13	13	16	22	1400	1800	2500	G13	120-277, 347	50,000	220	3500	83	48	25
1762876	Y	VIV-T8DF2/13W/40/F	13	13	16	22	1400	1800	2500	G13	120-277, 347	50,000	220	4000	83	48	25
1762545	Y	VIV-T8DF2/13W/50/F	13	13	16	22	1500	1900	2600	G13	120-277, 347	50,000	220	5000	83	48	25
T8DFSP4 Single Pin, 8ft																	
1764213	Y	VIV-T8DFSP4/24W/30/F	24	24	27	30	2900	3300	4000	Single Pin	120-277, 347	50,000	180	3000	83	96	8
1764308	Y	VIV-T8DFSP4/24W/35/F	24	24	27	30	3000	3400	4100	Single Pin	120-277, 347	50,000	180	3500	83	96	8
1764413	Y	VIV-T8DFSP4/24W/40/F	24	24	27	30	3100	3500	4200	Single Pin	120-277, 347	50,000	180	4000	83	96	8
1764512	Y	VIV-T8DFSP4/24W/50/F	24	24	27	30	3100	3500	4200	Single Pin	120-277, 347	50,000	180	5000	83	96	8
T8DF4/ T8DF2 Linear																	
1762783	Y	VIV-T8DF4/U/13W/30/F	13	13	16	22	1400	1800	2500	G13	120-277, 347	50,000	220	3000	83	24	24
1762363	Y	VIV-T8DF4/U/13W/35/F	13	13	16	22	1400	1800	2500	G13	120-277, 347	50,000	220	3500	83	24	24
1762865	Y	VIV-T8DF4/U/13W/40/F	13	13	16	22	1450	1850	2550	G13	120-277, 347	50,000	220	4000	83	24	24
1762540	Y	VIV-T8DF4/U/13W/50/F	13	13	16	22	1500	1900	2600	G13	120-277, 347	50,000	220	5000	83	24	24

T8DF4
Plastic body and end caps (U-Bend)



Ordering Information Example: VIV-T8DFSP4/20W/35/F/SFT

LED CLASS	LAMP TYPE	WATTAGE	CCT(K)	FROST	OTHER
VIV (Vivid)	T8DFSP/N (Direct Fit, Shatterproof, Nano) T8DFSP4 (Direct Fit, Shatterproof) T8DF4 (Direct Fit) T8DF2 (Direct Fit)	24W, 20W 15W, 13W, 11W 10.5W, 9W	50 (5000K) 40 (4000K) 35 (3500K) 30 (3000K)	F (Frost)	U (U-Bend)



LED LAMP

VIVID Series

Bypass T8 Lamp



VIV-T8BPSP4, VIV-T8BP4 (Double-ended & Single-ended) VIV-T8BPSP/Dim (Single-ended)

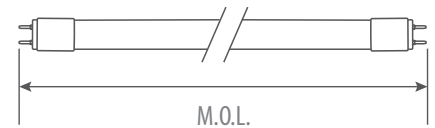


Features & Benefits

- DLC approved, Dimmable*
- External ballast not required
- Both Double-ended and Single-ended applicable installation (only single-ended for VIV-T8BPSP/Dim)
- High CRI (82+), 50,000 hour life (L70)
- NSF/ANSI 2 certified** (except T8BP4/15W)
- Use existing lamp holders (non-shunted or shunted)
- Suitabel for splash zones of food equipment

*For applicable models, see product specification below

Dimensional drawing



Warranty & Cautions

- 5-year limited warranty
- Operating temperature range between -20°C and +45°C
- UL/cUL listed, RoHS compliant
- ** Need to work with NSF certified lighting fixtures.

Ordering Information Example: VIV-T8BPSP4/18W/30/F/DE/3FT

LED CLASS	LAMP TYPE	Bypass, Shatterproof	WATTAGE	CCT(K)	FROST	INSTALLATION	INPUT VOLTAGE	LENGTH
VIV (Vivid)	T8	BPSP4 (Bypass, Shatterproof, 4th Version) BP4 (Bypass, 4th Version) BPSP (Bypass, Shatterproof, Dimmable)	10.5W 15W 18W	30 (3000K) 35 (3500K) 40 (4000K) 50 (5000K)	F	DE (Single & Double-ended)	Blank (120-277V) 347V	Blank (48") 3FT (36")

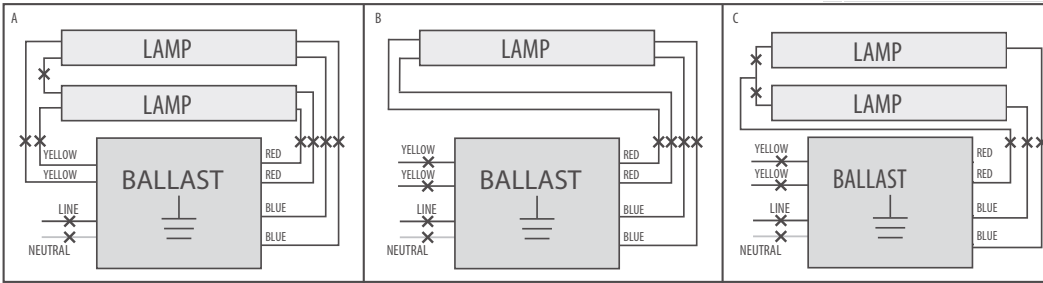
Product Specification

Ordering Code	DLC	Model Number	Watts (W)	Voltage (V)	Initial Lumen (lm)	Base	Hour Rating	Beam Angle	CCT(K)	CRI	M.O.L. (inch)	Case QTY.
1752206	Y	VIV-T8BPSP4/15W/30/F/DE/347V	15	347	2000	G13	50,000	180°	3000	82	48	25
1752302	Y	VIV-T8BPSP4/15W/35/F/DE/347V	15	347	2050	G13	50,000	180°	3500	82	48	25
1752400	Y	VIV-T8BPSP4/15W/40/F/DE/347V	15	347	2200	G13	50,000	180°	4000	82	48	25
1752500	Y	VIV-T8BPSP4/15W/50/F/DE/347V	15	347	2200	G13	50,000	180°	5000	82	48	25
1762037	Y	VIV-T8BPSP4/10.5W/30/F/DE	10.5	120-277	1600	G13	50,000	180°	3000	82	48	25
1762372	Y	VIV-T8BPSP4/10.5W/35/F/DE	10.5	120-277	1600	G13	50,000	180°	3500	82	48	25
1762893	Y	VIV-T8BPSP4/10.5W/40/F/DE	10.5	120-277	1700	G13	50,000	180°	4000	82	48	25
1762558	Y	VIV-T8BPSP4/10.5W/50/F/DE	10.5	120-277	1700	G13	50,000	180°	5000	82	48	25
1752204	Y	VIV-T8BPSP4/12W/30/F/DE/3FT	12	120-277	1450	G13	50,000	180°	3000	82	36	25
1752300	Y	VIV-T8BPSP4/12W/35/F/DE/3FT	12	120-277	1450	G13	50,000	180°	3500	82	36	25
1752401	Y	VIV-T8BPSP4/12W/40/F/DE/3FT	12	120-277	1550	G13	50,000	180°	4000	82	36	25
1752501	Y	VIV-T8BPSP4/12W/50/F/DE/3FT	12	120-277	1550	G13	50,000	180°	5000	82	36	25
1763238	Y	VIV-T8BPSP4/18W/30/F/DE	18	120-277	2050	G13	50,000	180°	3000	82	48	25
1763319	Y	VIV-T8BPSP4/18W/35/F/DE	18	120-277	2050	G13	50,000	180°	3500	82	48	25
1763440	Y	VIV-T8BPSP4/18W/40/F/DE	18	120-277	2100	G13	50,000	180°	4000	82	48	25
1763518	Y	VIV-T8BPSP4/18W/50/F/DE	18	120-277	2200	G13	50,000	180°	5000	82	48	25
1762036	Y	VIV-T8BP4/15W/30/F/DE	15	120-277	1650	G13	50,000	220°	3000	82	48	25
1762371	Y	VIV-T8BP4/15W/35/F/DE	15	120-277	1700	G13	50,000	220°	3500	82	48	25
1762892	Y	VIV-T8BP4/15W/40/F/DE	15	120-277	1750	G13	50,000	220°	4000	82	48	25
1762557	Y	VIV-T8BP4/15W/50/F/DE	15	120-277	1800	G13	50,000	220°	5000	82	48	25
Dimmable												
1763425	Y	VIV-T8BPSP/18W/40/F/D	18	120-277	1800	G13	50,000	180°	4000	83	48	25
1763509	Y	VIV-T8BPSP/18W/50/F/D	18	120-277	1900	G13	50,000	180°	5000	83	48	25



VIV-T8BPSP4, VIV-T8BP4 (Double-ended & Single-ended), VIV-T8BPSP/Dim (Single-ended)

Installation Guide Typical Ballast Configurations



X Indicates Where to Cut Existing Wiring

Removing Existing Fluorescent System

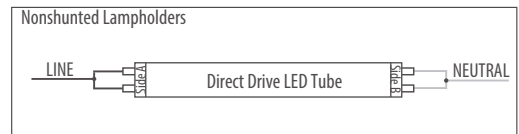
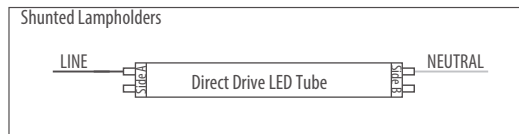
1. Disconnect power from fixture.
2. Remove fluorescent lamp(s).
3. Remove lens and wiring compartment, if applicable.
4. Cut all wires connected to the ballast as shown in Diagrams A, B, and C.
5. Identify what type of lampholders are in fixture. Double-Ended wiring installations of VIV-T8BPSP4/DE tube can be used with shunted G13 or nonshunted G13 lampholders (with instructions to externally shunt). See Figures 1 and 2.

Installing the Lamps-Double Ended

- I. Confirm that power is still disconnected from fixture.
- II. Make sure fixture is properly grounded.
- III. Follow step 1 for single lamp application or steps 2 & 3 for multiple lamp application, based on the number of lamps in the fixture:

Single Lamp

1. From AC wires, connect line (L) to Side A lampholder and neutral (N) to Side B lampholder. If only one lamp is being installed, proceed to step 4.

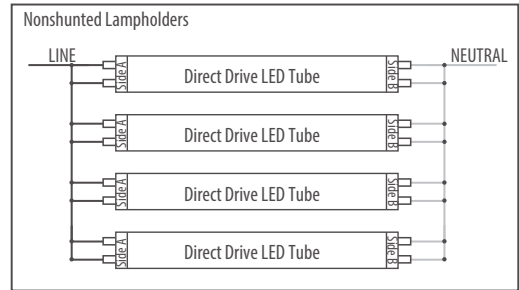
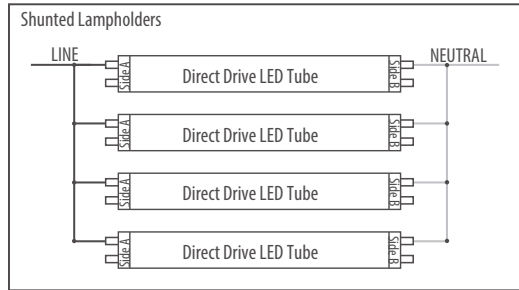


Multiple Lamps

2. Follow the steps above for single lamp connection to connect the first lamp.
3. Connect the terminals from the first lamp to the matching terminals on the lampholder of the second lamp with line and neutral wires as shown below. Continue daisy-chain connection for each additional lamp.
4. Complete all electrical connections with appropriate connectors/wire nuts as needed, per all local and national electrical codes.

NOTE: There should not be any exposed wires from sockets left unconnected.

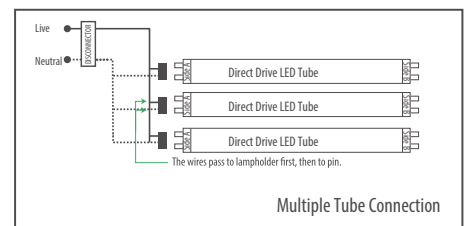
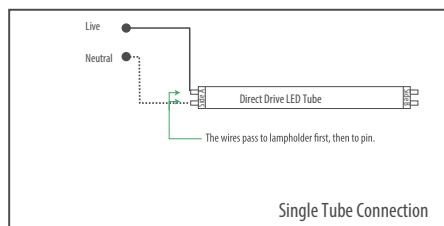
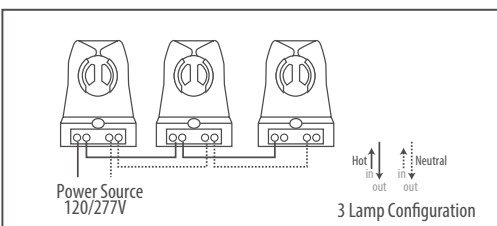
5. Replace wiring compartment cover.
6. Install all of the VIV-T8BPSP4/DE tubes. Install LED tubes so that the LEDs are pointed in the proper direction for illumination, and install any lens or diffuser as applicable.



Installing the Lamps-Single Ended (Non-Shunted)

1. Read all WARNING/CAUTIONS before continuing this section.
2. Ensure fixture is 120-277V.
3. Disconnect power at the source.
4. Remove lens if applicable, remove cover and fluorescent tubes.
5. Cut all wires that connect ballast. Properly discard ballast or cap off wires.
6. Replace lamp holders at power end with supplied non-shunted lamp holders.
7. Connect hot wire from power source into supplied non-shunted Lamp Holder "Hot In".
8. Connect neutral wire from power source into supplied non-shunted Lamp Holder "Neutral In".
9. If installing multiple lamps, continue reading. Otherwise skip to section 14.
10. Connect separate hot wire into "Hot Out" from primary source lamp holder and connect that wire into "Hot In" on the adjacent tube.

11. Connect separate neutral wire into "Neutral Out" from primary source lamp holder and connect that wire into "Neutral In" on the adjacent tube.
12. Continue this process for additional lamps.
13. Do not wire opposite end of lamp holder.
14. Install lamp with the Turolight logo (driver side) into the wired end.
15. Visibly affix "Modification Sticker" and reinstall housing cover and lens if applicable.
16. Return power back to source and installation is now completed.



Note: The luminaire shall only mount max. 4 tubes.

LED LAMP

VIVID Series



G13 R17D

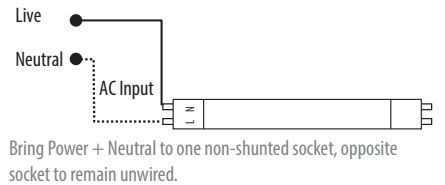
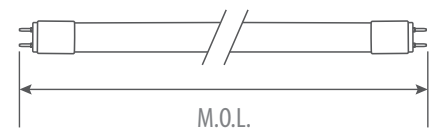
VIV-T8BPSP Nano - Sign Light



Features & Benefits

- Double sided LED strip design offers perfect 330° beam angle for outstanding light distribution
 - High-transmittance nano-plastic tube, Shatterproof, no bending under high temperature
 - Ideal to replace T8HO or T12HO fluorescent lamps for lighting sign boxes
 - Ballast Bypass (no ballast required)
 - NSF/ANSI 2 Certified¹, suitable for splash zones of food equipment
 - G13 to R17D convertible End Caps
 - Tube adjustable for optimized illumination
 - 50,000 hour life (L70), High CRI (83+)
 - 48", 60", 72" and 96" length
- ¹Need to work with ETL Sanitation certified lighting fixtures

Dimensional drawing

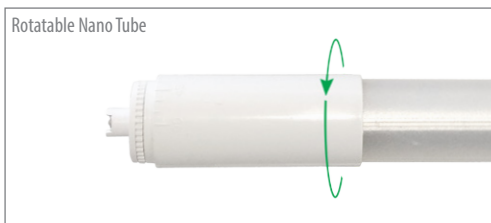


Warranty & Cautions

- 3-year limited warranty
- Bulb wall temperature range between -40°C and +45°C
- Sockets must be non-shunted

Product Specification

Ordering Code	Model Number	Description	Lamp Power (W)	System Power (W)	Initial Lumen (lm)	Base	Voltage (V)	Hour Rating	Beam Angle	CCT(K)	CRI	M.O.L. (inch)	Case QTY.
Non-Dimmable													
1763601	VIV-T8BPSP/N/18W/65/DS	Bypass 4ft 18W G13/R17D 65K Frost Shatterproof Double Sided	18	18	2100	G13/R17D	120-277	50,000	330	6500	83	48	25
1764601	VIV-T8BPSP/N/24W/65/DS/SFT	Bypass 5ft 24W G13/R17D 65K Frost Shatterproof Double Sided	24	24	2800	G13/R17D	120-277	50,000	330	6500	83	60	25
1764602	VIV-T8BPSP/N/30W/65/DS/6FT	Bypass 6t 30W G13/R17D 65K Frost Shatterproof Double Sided	30	30	4100	G13/R17D	120-277	50,000	330	6500	83	72	12
1765600	VIV-T8BPSP/N/36W/65/DS/8FT	Bypass 8ft 36W G13/R17D 65K Frost Shatterproof Double Sided	36	36	4500	G13/R17D	120-277	50,000	330	6500	83	96	8



* Gently remove R17D adaptor off end cap to expose G13 (Bi-pin) base. Do not pry off as this may damage base assembly.

Ordering Information

Example: VIV-T8BPSP/N/24W/65/DS/SFT

LAMP CLASS	LAMP TYPE	BYPASS, SHATTERPROOF	MATERIAL	WATTAGE	CCT(K)	LED STRIPS	LENGTH
VIV (Vivid)	T8	BPSP (Bypass, Shatterproof)	N (Nano)	18W 24W 30W 36W	65 (6500K)	DS (Double Sided)	4FT (48") 5FT (60") 6FT (72") 8FT (96")**

** Be sure set nano PCB (printed circuit board) is vertical to avoid tube distortion (sagging).



IP67 PROOF
Ballast Bypass

LED LAMP

VIVID Series



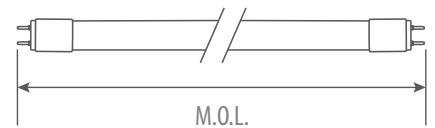
VIV-T8BPSP4/FF



Features & Benefits

Percent flicker is significantly decreased to only 5%*	48" length
DLC approved	NSF/ANSI 2 Certified ¹
Ballast Bypass (no ballast required)	Suitable for splash zones of food equipment
50,000 hour life (L70), 180° Beam angle, High CRI (82+)	Use existing lamp holders (non-shunted or shunted)
Both Double-ended and Single-ended applicable installation	<small>*Need to work with NSF certified lighting fixtures</small>

Dimensional drawing



Warranty & Cautions

- 5-year limited warranty
- Bulb wall temperature range between -20°C and +45°C

Applications

Suitable for offices, classrooms, and other commercial and educational applications

Product Specification

Ordering Code	DLC	Model Number	Description	Watts (W)	Voltage (V)	Initial Lumen (lm)	Base	Hour Rating	Beam Angle	CCT(K)	CRI	M.O.L. (inch)	Case QTY.
Flicker-free*													
1752404	Y	VIV-T8BPSP4/FF/10.5W/40/F/DE	Flicker-free, Bypass 4ft 10.5W G13 40K Frost Shatterproof	10.5	120-277	1700	G13	50,000	180	4000	82	48	25

Other CCT is also available to be ordered

*Flicker exists in most light sources, but with varying levels. For LED Type B tubes, it all comes down to the driver. Our unique driver design ensures the minimal level of flicker, so that provides high-quality light for maximum eye comfort and performance.

Ordering Information Example: VIV-T8BPSP4/FF/10.5W/40/F/DE

LED CLASS	LAMP TYPE	BYPASS, SHATTERPROOF	FLICKER	WATTAGE	CCT(K)	FROST	INSTALLATION
VIV (Vivid)	T8	BPSP4 (Bypass, Shatterproof)	FF (Flicker-free)	10.5W	40 (4000K)	F (Frost)	DE (Single & Double-ended)



LED LAMP

VIVID Series

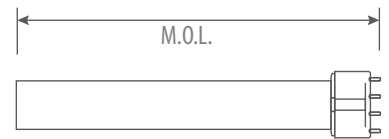
VIV-PLL/DF, VIV-PLL/BP



Features & Benefits

Direct Fit and Ballast Bypass options	High CRI (83+), 180° beam angle
Kinds of length	Compatible with most CFL electronic fluorescent ballast ¹
50,000 hour life (L70)	¹ For detail, you may contact your sales person or check www.turolight.com for ballast compatibility list

Dimensional drawing



Warranty & Cautions

3-year limited warranty
 Operating temperature range between -20°C and +45°C

Product Specification

Ordering Code	Model Number	Description	Replacement CFL	Watts	Base	Voltage (V)	Hour Rating	Beam Angle	Initial Lumen (lm)	CCT(K)	CRI	M.O.L. (inch)	Case QTY.
PLL Replacement - Direct Fit													
1762160	VIV-PLL/DF/15W/27	PLL Direct Fit 15W 27K	PLL 55W	15	2G11	120/277	50,000	180	1600	2700	83	21.06	50
1762705	VIV-PLL/DF/15W/30	PLL Direct Fit 15W 30K		15	2G11	120/277	50,000	180	1600	3000	83	21.06	50
1762319	VIV-PLL/DF/15W/35	PLL Direct Fit 15W 35K		15	2G11	120/277	50,000	180	1600	3500	83	21.06	50
1762493	VIV-PLL/DF/15W/40	PLL Direct Fit 15W 40K		15	2G11	120/277	50,000	180	1600	4000	83	21.06	50
1763112	VIV-PLL/DF/19W/27	PLL Direct Fit 19W 27K	PLL 55W	19	2G11	120/277	50,000	180	2000	2700	83	21.06	50
1763225	VIV-PLL/DF/19W/30	PLL Direct Fit 19W 30K		19	2G11	120/277	50,000	180	2000	3000	83	21.06	50
1763309	VIV-PLL/DF/19W/35	PLL Direct Fit 19W 35K		19	2G11	120/277	50,000	180	2000	3500	83	21.06	50
1763426	VIV-PLL/DF/19W/40	PLL Direct Fit 19W 40K		19	2G11	120/277	50,000	180	2000	4000	83	21.06	50
1763116	VIV-PLL/DF/19W/27/L	PLL Direct Fit 19W 27K Long	PLL 40W/50W	19	2G11	120/277	50,000	180	2000	2700	83	22.44	50
1763235	VIV-PLL/DF/19W/30/L	PLL Direct Fit 19W 30K Long		19	2G11	120/277	50,000	180	2000	3000	83	22.44	50
1763316	VIV-PLL/DF/19W/35/L	PLL Direct Fit 19W 35K Long		19	2G11	120/277	50,000	180	2000	3500	83	22.44	50
1763437	VIV-PLL/DF/19W/40/L	PLL Direct Fit 19W 40K Long		19	2G11	120/277	50,000	180	2000	4000	83	22.44	50
PLL Replacement - Bypass													
1762163	VIV-PLL/BP/8W/27	PLL Bypass 8W 27K	PLL 18W	8	2G11	120/277	50,000	180	640	2700	83	8.86	50
1762708	VIV-PLL/BP/8W/30	PLL Bypass 8W 30K		8	2G11	120/277	50,000	180	640	3000	83	8.86	50
1762322	VIV-PLL/BP/8W/35	PLL Bypass 8W 35K		8	2G11	120/277	50,000	180	640	3500	83	8.86	50
1762496	VIV-PLL/BP/8W/40	PLL Bypass 8W 40K		8	2G11	120/277	50,000	180	640	4000	83	8.86	50
1762164	VIV-PLL/BP/10W/27	PLL Bypass 10W 27K	PLL 24W	10	2G11	120/277	50,000	180	800	2700	83	12.60	50
1762709	VIV-PLL/BP/10W/30	PLL Bypass 10W 30K		10	2G11	120/277	50,000	180	800	3000	83	12.60	50
1762323	VIV-PLL/BP/10W/35	PLL Bypass 10W 35K		10	2G11	120/277	50,000	180	800	3500	83	12.60	50
1762497	VIV-PLL/BP/10W/40	PLL Bypass 10W 40K		10	2G11	120/277	50,000	180	800	4000	83	12.60	50
1762165	VIV-PLL/BP/15W/27	PLL Bypass 15W 27K	PLL 36W	15	2G11	120/277	50,000	180	1200	2700	83	16.34	50
1762710	VIV-PLL/BP/15W/30	PLL Bypass 15W 30K		15	2G11	120/277	50,000	180	1200	3000	83	16.34	50
1762324	VIV-PLL/BP/15W/35	PLL Bypass 15W 35K		15	2G11	120/277	50,000	180	1200	3500	83	16.34	50
1762498	VIV-PLL/BP/15W/40	PLL Bypass 15W 40K		15	2G11	120/277	50,000	180	1200	4000	83	16.34	50
1763113	VIV-PLL/BP/18W/27	PLL Bypass 18W 27K	PLL 55W	18	2G11	120/277	50,000	180	1500	2700	83	21.06	50
1763226	VIV-PLL/BP/18W/30	PLL Bypass 18W 30K		18	2G11	120/277	50,000	180	1500	3000	83	21.06	50
1763310	VIV-PLL/BP/18W/35	PLL Bypass 18W 35K		18	2G11	120/277	50,000	180	1500	3500	83	21.06	50
1763427	VIV-PLL/BP/18W/40	PLL Bypass 18W 40K		18	2G11	120/277	50,000	180	1500	4000	83	21.06	50



LED LAMP

VIVID Series



VIV-PL/DF

Features & Benefits

DLC approved

3 Versions (Horizontal, Vertical and Vertical Long)

G24q base matches CFL G24q-1,2,3 and GX24q-2,3,4

50,000 hour life (L70)

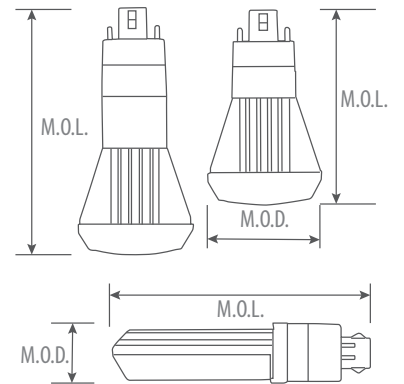
High CRI (83+), 120° beam angle

Enclosed fixture application and wet location approved

Compatible with most CFL electronic fluorescent ballast¹

¹ For detail, you may contact your sales person or check www.turolight.com for ballast compatibility list

Dimensional drawing



Warranty & Cautions

5-year limited warranty for DLC listed lamps / 3-year limited warranty for non-DLC*

Operating temperature range between -20°C and +45°C

*Please check the "Turolight LED Limited Warranty" for details

Product Specification

Ordering Code	DLC	Model Number	Description	Replacement CFL	Watts	Base	Voltage (V)	Hour Rating	Beam Angle	Initial Lumen (lm)	CCT(K)	CRI	Enclosed Fixtures Application	M.O.L. (inch)	M.O.D. (inch)	Case QTY.
1762192	-	VIV-PL/DF/9W/27/H	PL Direct Fit 9W 27K Horizontal	PLC 18W/26W G24q-1,G24q-2, G24q-3 PLT 18W GX24q-2 PLT 26W GX24q-3 PLT 32W GX24q-3	9	G24q	120/277	50,000	120	800	2700	83	Y	5.20	1.61	50
1762761	Y	VIV-PL/DF/9W/30/H	PL Direct Fit 9W 30K Horizontal		9	G24q	120/277	50,000	120	800	3000	83	Y	5.20	1.61	50
1762348	Y	VIV-PL/DF/9W/35/H	PL Direct Fit 9W 35K Horizontal		9	G24q	120/277	50,000	120	800	3500	83	Y	5.20	1.61	50
1762839	Y	VIV-PL/DF/9W/40/H	PL Direct Fit 9W 40K Horizontal		9	G24q	120/277	50,000	120	850	4000	83	Y	5.20	1.61	50
1762537	Y	VIV-PL/DF/9W/50/H	PL Direct Fit 9W 50K Horizontal		9	G24q	120/277	50,000	120	900	5000	83	Y	5.20	1.61	50
1762193	-	VIV-PL/DF/9W/27/V	PL Direct Fit 9W 27K Vertical		9	G24q	120/277	50,000	120	850	2700	83	Y	3.66	2.09	50
1762762	Y	VIV-PL/DF/9W/30/V	PL Direct Fit 9W 30K Vertical		9	G24q	120/277	50,000	120	850	3000	83	Y	3.66	2.09	50
1762349	Y	VIV-PL/DF/9W/35/V	PL Direct Fit 9W 35K Vertical		9	G24q	120/277	50,000	120	850	3500	83	Y	3.66	2.09	50
1762840	Y	VIV-PL/DF/9W/40/V	PL Direct Fit 9W 40K Vertical		9	G24q	120/277	50,000	120	900	4000	83	Y	3.66	2.09	50
1762538	Y	VIV-PL/DF/9W/50/V	PL Direct Fit 9W 50K Vertical		9	G24q	120/277	50,000	120	950	5000	83	Y	3.66	2.09	50
1762194	-	VIV-PL/DF/9W/27/VL	PL Direct Fit 9W 27K Vertical Long		9	G24q	120/277	50,000	120	850	2700	83	Y	4.65	2.09	50
1762763	Y	VIV-PL/DF/9W/30/VL	PL Direct Fit 9W 30K Vertical Long		9	G24q	120/277	50,000	120	850	3000	83	Y	4.65	2.09	50
1762350	Y	VIV-PL/DF/9W/35/VL	PL Direct Fit 9W 35K Vertical Long		9	G24q	120/277	50,000	120	850	3500	83	Y	4.65	2.09	50
1762841	Y	VIV-PL/DF/9W/40/VL	PL Direct Fit 9W 40K Vertical Long		9	G24q	120/277	50,000	120	900	4000	83	Y	4.65	2.09	50
1762539	Y	VIV-PL/DF/9W/50/VL	PL Direct Fit 9W 50K Vertical Long		9	G24q	120/277	50,000	120	950	5000	83	Y	4.65	2.09	50

Base Matches

PL G24q →



G24q-1



G24q-2



G24q-3



GX24q-2



GX24q-3



GX24q-4

LED FIXTURE

DL Series

LED Vapor Tight DL-VT

Linear 4' or 8' IP65 rated luminaire, suitable for wet locations.



Features & Benefits

CUL listed, DLC

High impact polycarbonate grey housing, IK08

High impact diffuser polycarbonate IK08, Opal lens

Stainless steel mounting brackets included

c/w PG13.5 threaded cable gland

0-10V Dimming / Philips / Meanwell LED Driver

LED module with LG / Everlight chip

130 lm/W

Stainless steel fastening clips

IP 65 rated

Optional microwave motion sensor

L70 @ 50,000 HRS

Warranty

5-year limited warranty in commercial use from the date of purchase

Operating temperature range between -20°C and +40°C

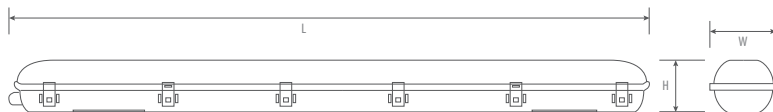
*Special environment use, please contact your sales representative

Applications

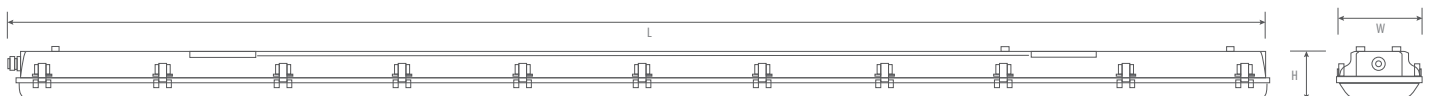
Indoor or outdoor, suitable for waterproof, dustproof and moistureproof needs**
Parking garage, Truck shop, Stairwell, Breeze way, Corridor, Car wash etc.

Dimensional drawing

4' (48")



8' (96")



	L	W	H
4' (48")	48.0"	4.9"	4.1"
8' (96")	99.0"	6.3"	4.3"



LED Vapor Tight

DL-VT

Ordering Information Example: DL-VT/4F/40W/40/UNV/D

Family Name	Fixture Type	Size	Wattage	CCT	Voltage (V)	Dimmable	Options
DL (Deltalum)	VT (Vapor Tight)	4F(4 feet)	40W 60W	40 (4000K) 50 (5000K)	UNV (120-277V) HVU (347-480V)	D (Dimmable)	S (Microwave Motion Sensor)
		8F(8 feet)**	80W 100W 120W				

** NSF rated

Product Specification

Ordering Code	DLC	Model Number	Wattage (W)	Input Voltage (V)	Hour Rating	Beam Angle	Initial Delivered Lumens (lumen)	CCT (K)	CRI	M.O.L (inch)	Case QTY.
3665120	Yes	DL-VT/4F/40W/40/UNV/D	40W	120-277V	50,000	120	5,200	4000K	>80	48	4
3665121	Yes	DL-VT/4F/40W/50/UNV/D	40W	120-277V	50,000	120	5,200	5000K	>80	48	4
3665208	Yes	DL-VT/4F/40W/40/347/D	40W	347V	50,000	120	5,200	4000K	>80	48	4
3665209	Yes	DL-VT/4F/40W/50/347/D	40W	347V	50,000	120	5,200	5000K	>80	48	4
3666116	Yes	DL-VT/4F/60W/40/UNV/D	60W	120-277V	50,000	120	7,800	4000K	>80	48	4
3666117	Yes	DL-VT/4F/60W/50/UNV/D	60W	120-277V	50,000	120	7,800	5000K	>80	48	4
3666216	Yes	DL-VT/4F/60W/40/HVU/D	60W	347V-480V	50,000	120	7,800	4000K	>80	48	4
3666217	Yes	DL-VT/4F/60W/50/HVU/D	60W	347V-480V	50,000	120	7,800	5000K	>80	48	4
3666118	Yes	DL-VT/8F/80W/40/UNV/D	80W	120-277V	50,000	120	10,400	4000K	>80	96	1
3666119	Yes	DL-VT/8F/80W/50/UNV/D	80W	120-277V	50,000	120	10,400	5000K	>80	96	1
3666218	Yes	DL-VT/8F/80W/40/HVU/D	80W	347V-480V	50,000	120	10,400	4000K	>80	96	1
3666219	Yes	DL-VT/8F/80W/50/HVU/D	80W	347V-480V	50,000	120	10,400	5000K	>80	96	1
3666120	No	DL-VT/8F/100W/40/UNV/D	100W	120-277V	50,000	120	12,500	4000K	>80	96	1
3666221	No	DL-VT/8F/100W/50/UNV/D	100W	120-277V	50,000	120	12,500	5000K	>80	96	1
3667109	Yes	DL-VT/8F/120W/40/UNV/D	120W	120-277V	50,000	120	15,000	4000K	>80	96	1
3667110	Yes	DL-VT/8F/120W/50/UNV/D	120W	120-277V	50,000	120	15,000	5000K	>80	96	1
3667210	Yes	DL-VT/8F/120W/40/HVU/D	120W	347V-480V	50,000	120	15,000	4000K	>80	96	1
3667211	Yes	DL-VT/8F/120W/50/HVU/D	120W	347V-480V	50,000	120	15,000	5000K	>80	96	1
		"S"	Microwave Motion Sensor								

LED FIXTURE

DL Series

LED Eco-Commercial Strip DL-EC

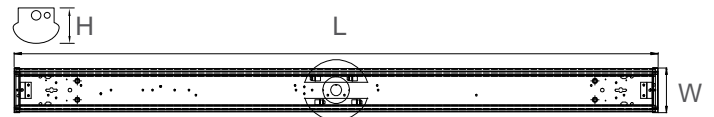
Linear 2', 3', 4' and 8' LED strip light, 120-347V auto-sensing driver



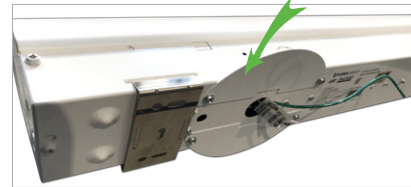
Features & Benefits

- _____ CUL listed, DLC
- _____ 2', 3', 4' and 8' length selection
- _____ 120-347V Auto-sensing driver, 0-10V dimming
- _____ Average rated life 100,000 hrs L70 (TM-21 @ 70 °C), CRI ≥ 80
- _____ System light efficacy ≥ 130lm per watt
- _____ White metal finish (black available for special order), PMMA Opal Lens
- _____ Surface or Suspended mounting, row mountable w/ joiner plate
- _____ Damp location rated

Dimensional Drawing



Unique J-Box cover supplied



	L	W	H
2FT	22.2"	3.3"	3.6"
3FT	35.0"	3.3"	3.6"
4FT	47.3"	3.3"	3.6"
8FT	94.2"	3.3"	3.6"

Warranty

- _____ 5-year limited warranty in commercial use from the date of purchase
- _____ Operating temperature range between -20°C and +50°C

Applications

Offices, Hallways, Multipurpose Rooms, Warehouse etc.

Ordering Information Example: DL-EC/2F/20W/40/120-347V/D

Family Name	Fixture Type	Size	Wattage	CCT	Voltage	Dimmable	Option
DL (Deltalum)	EC (Eco-Commercial)	2F (2'), 3F (3') 4F (4') 8F (8')	20W (2'), 25W (3') 35W, 45W (4') 65W (8')	40 (4000K) 50 (5000K)	120-347V	D (Dimmable)	RM (Row MTG Plate) MS (Microwave Sensor) TL-2052 PIR Sensor

Product Specification

Ordering Code	DLC	Model Number	Wattage (W)	Input Voltage (V)	Hour Rating(L70)	Beam Angle	Initial Delivered Lumens (lumen)	CCT (K)	CRI	Damp Location	M.O.L (inch)
3663208	Y	DL-EC/2F/20W/40/120-347V/D	20	120-347V	100,000	120°	2,600	4000K	>80	Yes	22.2"
3664206	Y	DL-EC/3F/25W/40/120-347V/D	25	120-347V	100,000	120°	3,250	4000K	>80	Yes	35.0"
3665225	Y	DL-EC/4F/35W/40/120-347V/D	35	120-347V	100,000	120°	4,550	4000K	>80	Yes	47.3"
3665226	Y	DL-EC/4F/35W/50/120-347V/D	35	120-347V	100,000	120°	4,585	5000K	>80	Yes	47.3"
3665227	Y	DL-EC/4F/45W/40/120-347V/D	45	120-347V	100,000	120°	5,850	4000K	>80	Yes	47.3"
3666229	Y	DL-EC/8F/65W/40/120-347V/D	65	120-347V	100,000	120°	8,450	4000K	>80	Yes	94.2"
3666230	Y	DL-EC/8F/65W/50/120-347V/D	65	120-347V	100,000	120°	8,515	5000K	>80	Yes	94.2"
3660055		DL-EC/2F/LENS	2ft, replacement white PMMA lens								
3660056		DL-EC/3F/LENS	3ft, replacement white PMMA lens								
3660057		DL-EC/4F/LENS	4ft, replacement white PMMA lens								
3660058		DL-EC/8F/LENS	8ft, replacement white PMMA lens								
Option		DL-EC/RM	Row mounting plate								
		MS	Microwave sensor factory installed (consult for lead time)								
		TL-2052	PIR motion sensor (sold separately)								

LED FIXTURE

DL Series

LED Connect Strip

DL-CS

Linear 2' or 4' LED strip light



Features & Benefits

- CUL listed, DLC
- Familiar surface strip design in 2' and 4' length, low profile
- Multiple lumen options to suite most applications
- Integral-LED luminaire (no lamps required), LED Driver PF>0.9
- Strips are linkable either with connector supplied or by optional connecting cables
- 15 pcs @ 40W, 25 pcs @ 20W or 30 pcs @ 10W

- L70 @ 50,000 HRS
- White metal housing construction, PC Opal Lens
- 120-347V auto-sensing driver, 0-10V dimmable
- Damp location rated

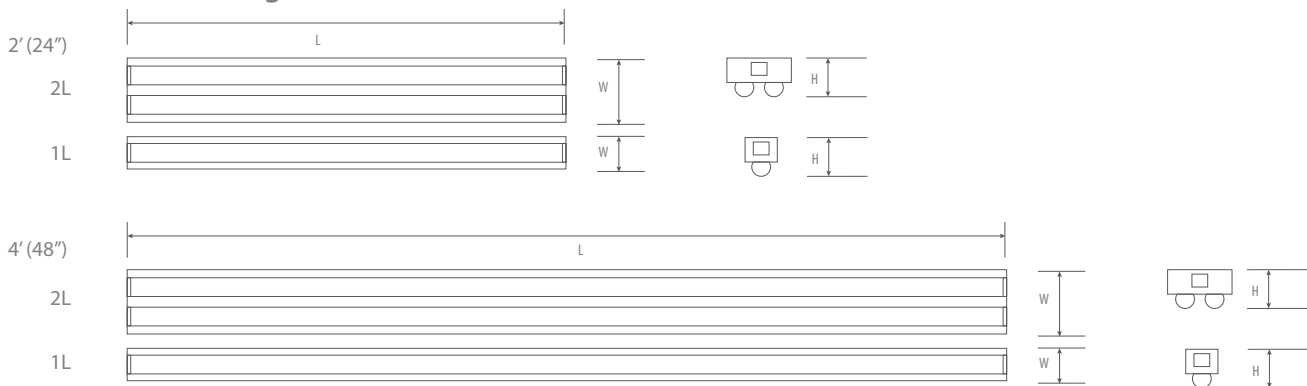
Warranty

- 5-year limited warranty in commercial use from the date of purchase
- Operating temperature range between -20°C and +40°C

Applications

Cove Lighting, Utility Rooms, Corridors, Work Shops, Garage, Stock Rooms etc.

Dimensional drawing



	L	W	H
2F1L	24"	1.77"	2.36"
2F2L	24"	3.54"	2.36"
4F1L	48"	1.77"	2.36"
4F2L	48"	3.54"	2.36"



LED Connect Strip

DL-CS

Ordering Information Example: DL-CS/2F1L/10W/40/D

Family Name	Fixture Type	Size	Wattage	CCT	Input Voltage	Dimmable	Options
DL (Deltalum)	CS (Connect Strip)	2F1L (2; 1 lamp)	10W	30 (3000K) 40 (4000K) 50 (5000K)	120-347V	D (0-10V dimmable)	Connecting Cable order separately
		4F1L (4; 1 lamp)	20W				
		2F2L (2; 2 lamp)	40W				
		4F2L (4; 2 lamp)	40W				

Product Specification

Ordering Code	DLC	Model Number	Wattage (W)	Input Voltage (V)	Lamp QTY.	Hour Rating	Beam Angle	Initial Delivered Lumens (lumen)	CCT (K)	CRI	Damp Location	M.O.L (inch)	Case QTY.
3662218	Yes	DL-CS/2F1L/10W/30/120-347V/D	10	120-347V	1	50,000	120°	1,050	3000K	>80	Yes	24	6
3662219	Yes	DL-CS/2F1L/10W/40/120-347V/D	10	120-347V	1	50,000	120°	1,050	4000K	>80	Yes	24	6
3662220	Yes	DL-CS/2F1L/10W/50/120-347V/D	10	120-347V	1	50,000	120°	1,050	5000K	>80	Yes	24	6
3663202	Yes	DL-CS/4F1L/20W/30/120-347V/D	20	120-347V	1	50,000	120°	2,100	3000K	>80	Yes	48	6
3663203	Yes	DL-CS/4F1L/20W/40/120-347V/D	20	120-347V	1	50,000	120°	2,100	4000K	>80	Yes	48	6
3663204	Yes	DL-CS/4F1L/20W/50/120-347V/D	20	120-347V	1	50,000	120°	2,100	5000K	>80	Yes	48	6
3663205	Yes	DL-CS/2F2L/20W/30/120-347V/D	20	120-347V	2	50,000	120°	2,100	3000K	>80	Yes	24	6
3663206	Yes	DL-CS/2F2L/20W/40/120-347V/D	20	120-347V	2	50,000	120°	2,100	4000K	>80	Yes	24	6
3663207	Yes	DL-CS/2F2L/20W/50/120-347V/D	20	120-347V	2	50,000	120°	2,100	5000K	>80	Yes	24	6
3665222	Yes	DL-CS/4F2L/40W/30/120-347V/D	40	120-347V	2	50,000	120°	4,200	3000K	>80	Yes	48	6
3665223	Yes	DL-CS/4F2L/40W/40/120-347V/D	40	120-347V	2	50,000	120°	4,200	4000K	>80	Yes	48	6
3665224	Yes	DL-CS/4F2L/40W/50/120-347V/D	40	120-347V	2	50,000	120°	4,200	5000K	>80	Yes	48	6
3660011		DL-CS/1F/CC/WH	1' CONNECTING 5 WIRE CABLE, WHITE										
3660012		DL-CS/2F/CC/WH	2' CONNECTING 5 WIRE CABLE, WHITE										
3660013		DL-CS/4F/CC/WH	4' CONNECTING 5 WIRE CABLE, WHITE										

Connector Images



Caution:

Electrical shock hazard possible when using interconnecting systems (cables or supplied 5 pin connector). As with all electrical devices, power must be off (electrical breaker) before removing and installing 5 pin port cover and connecting next linkable "Connect Strip" or "Connecting Cable". Refer to installation manual when installing.

LED FIXTURE

DL Series

LED Connect Strip

DL-CS/MS

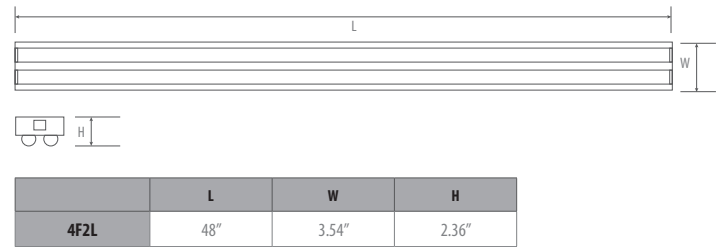
Linear 4' LED strip light, built-in Microwave Sensor



Features & Benefits

- CUL listed
- Familiar surface strip design in 4' length, low profile
- Integral-LED luminaire (no lamps required), LED Driver PF>0.9
- Strips are linkable either with connector supplied or by optional connecting cables
- 15 pcs maximum @ 40W per fixture
- L70 @ 50,000 HRS
- White metal housing construction, PC Opal Lens
- Microwave sensor for on-off applications
- Damp location rated

Dimensional Drawing



Warranty

- 5-year limited warranty in commercial use from the date of purchase
- Operating temperature range between -20°C and +40°C

Applications

Utility Rooms, Corridors, Work Shops, Garage, Stock Rooms etc.

Ordering Information Example: DL-CS/4F2L/40W/40/MS

Family Name	Fixture Type	Size	Wattage	CCT	Microwave Sensor	Options
DL (Deltalum)	CS (Connect Strip)	4F2L (4; 2 lamp)	40W	40 (4000K)	MS (Microwave Sensor on-off)	Connecting Cable order separately

Product Specification

Model Number	Wattage (W)	Input Voltage (V)	Hour Rating	Beam Angle	Initial Delivered Lumens (lumen)	CCT (K)	CRI	Damp Location	M.O.L (inch)	Case QTY.
DL-CS/4F2L/40W/40/MS	40	120-277V	50,000	120°	4,200	4000K	>80	Yes	48	6
DL-CS/1F/CC3/WH	1' CONNECTING CABLE, WHITE									
DL-CS/2F/CC3/WH	2' CONNECTING CABLE, WHITE									
DL-CS/4F/CC3/WH	4' CONNECTING CABLE, WHITE									

Connector Images



Caution:

Electrical shock hazard possible when using interconnecting systems (cables or supplied 5 pin connector). As with all electrical devices, power must be off (electrical breaker) before removing and installing 5 pin port cover and connecting next linkable "Connect Strip" or "Connecting Cable". Refer to installation manual when installing.

Microwave Sensor Image

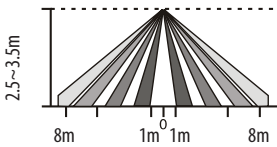




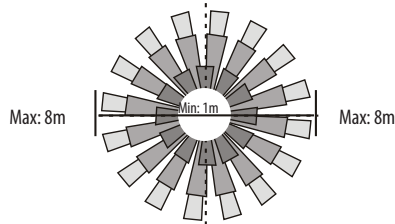
LED Connect Strip

DL-CS/MS

Sensor Information



Height of installation 2.5~3.5m

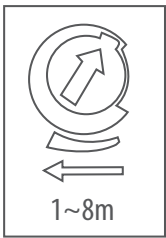


Detection range Min: 1m, Max: 8m
Detection angle 360°

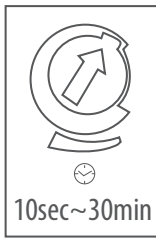
UTILIZING FIELD AND INTRODUCTION

The sensor is a moving object sensor that can detect range of 360° and it's working frequency is 5.8GHz. The advantage of this product is stable working state (stable working temperature: -15°C~+70°C), The sensor adopts a microwave sensor (high-frequency output < 0.2mW), so that it is safe and performs better than infrared sensor.

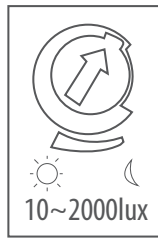
If you want the sensor to detect small zone, you can just adjust the sense knob SENS to the range that you need (You may need to adjust sometimes until you think it is suitable). If you want that the light can be turned on when the circumstance luminance is under some value, you can just adjust the knob LUX (The working luminance knob) to select the luminance value (You may need to adjust some times until you think it is suitable).



Detection Range



Time



Light Control

Detection range setting (sensitivity)

Detection range is the term used to describe the radii of the more or less circular detection zone produced on the ground after mounting the sensor light at a height of 2.5m, turn the detection control fully anticlockwise to select minimum detection range (approx. 1m radii), and fully clockwise to select maximum detection range (approx. 8m radii).

Note: the above detection range is gained if the detected person is between 1.6m-1.7m tall with middle figure and moves at a speed of 1.0-1.5m/sec. If person's stature, figure and moving speed change, the detection distance will also change.

In different cases, the sensitivity of the lights has certain deviation.

ATTENTION: When use this product, please adjust the sensitivity to an appropriate position you need, please do not adjust the sensitivity to maximum, in case the product works abnormally because of wrong motion detection, including blowing leaves & curtains, small animals, or even power grid & electrical equipment. All the above factors can lead to abnormal work. When the product does not work normally, please try to lower the sensitivity appropriately, and then test it.

Time setting

The light can be set to stay ON for any period of time between approx. 10sec (dial turned fully anti-clockwise) and a maximum of 30min (dial turned fully clockwise). Any movement detected during the "on" time will reset the timer. The LED indicator will flash when adjusting the time setting dial. The number of flashes means the following:

1 flash = 10sec, 2 flashes = 1 min, 3 flashes = 2 min, 4 flashes = 5 min, 5 flashes = 8 min, 6 flashes = 10 min, 7 flashes = 15 min, 8 flashes = 20 min, 9 flashes = 25 min, 10 flashes = 30 min.

Note: after the light switches OFF, it takes approx. 4sec before it is able to start detecting movement again. The light will only switch on in response to movement once this period has elapsed.

Light-control setting

The chosen light response threshold can be infinitely from approx. 10-2000lux. Turn it fully anti-clockwise to select dusk to-dawn operation at about 10lux. Turn it fully clockwise to select daylight operation at about 2000lux. The knob must be turned fully clockwise when adjusting the detection zone and performing the walk test in daylight.

Note: please don't adjust the three functional buttons to excess. That is because the three functional buttons were connected to the components directly, there is a small stopper in each of the three components, when you adjust the buttons from start to end, the excessive turn will damage the stopper, and lead to the 360° non-stop turn around. The adjust range limit is 270°, please do pay attention to this.

LED FIXTURE

DL Series

LED Linear Strip

DL-LS

Dimming, motion and timing controls, 24" and 48" LED linear strip



Features & Benefits

cETL listed, DLC

24", 48" length

No external dimming switch required

Built-in Microwave Motion Sensor, easy DIP switch configuration

Driver by Philips

L70 @ 50,000 Hrs

120-277V/ 347V available

High CRI (80+)

Wall mounting optional

Warranty

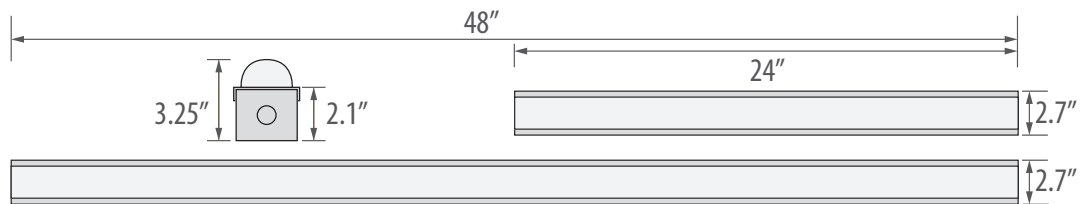
5-year limited warranty for fixture and sensor in commercial use from the date of purchase

Operating temperature range between -25°C and +40°C

Applications

Retails, Warehouses, Schools, Underground Parking, Factories, Workshops, Hospitals, Office Buildings and etc

Dimensional drawing



Ordering Information

Example: DL-LS/2F/20W/40/UNV/D/S

Family Name	Fixture Type	Length	Wattage	CCT	Voltage (V)	Dimmable	Options
DL (Deltalum)	LS (Linear Strip)	2F (2 feet, 24") 4F (4 feet, 48")	60W 40W 20W	50 (5000K) 40 (4000K)	UNV (120-277V) 347 (347V)	D (Dimmable)	S (Microwave Motion Sensor)



LED Linear Strip

DL-LS

Product Specification

Ordering Code	DLC	Model Number	Description	Wattage (W)	Input Voltage (V)	Hour Rating	Initial Delivered Lumens (lumen)	CCT (K)	CRI	M.O.L. (inch)	Case QTY.
3663111	Y	DL-LS/2F/20W/40/UNV/D/S	2ft 20W 40K 120-277V Dimmable, with Sensor	20	120-277	50,000	2300	4000	>80	24	10
3663112	Y	DL-LS/2F/20W/50/UNV/D/S	2ft 20W 50K 120-277V Dimmable, with Sensor	20	120-277	50,000	2300	5000	>80	24	10
3665111	Y	DL-LS/4F/40W/40/UNV/D/S	4ft 40W 40K 120-277V Dimmable, with Sensor	40	120-277	50,000	4700	4000	>80	48	10
3665112	Y	DL-LS/4F/40W/50/UNV/D/S	4ft 40W 50K 120-277V Dimmable, with Sensor	40	120-277	50,000	4700	5000	>80	48	10
3666110	Y	DL-LS/4F/60W/40/UNV/D/S	4ft 60W 40K 120-277V Dimmable, with Sensor	60	120-277	50,000	7000	4000	>80	48	10
3666111	Y	DL-LS/4F/60W/50/UNV/D/S	4ft 60W 50K 120-277V Dimmable, with Sensor	60	120-277	50,000	7000	5000	>80	48	10
3665204	Y	DL-LS/4F/40W/40/347/D/S	4ft 40W 40K 347V Dimmable, with Sensor	40	347	50,000	4700	4000	>80	48	10
3665205	Y	DL-LS/4F/40W/50/347/D/S	4ft 40W 50K 347V Dimmable, with Sensor	40	347	50,000	4700	5000	>80	48	10
3666207	Y	DL-LS/4F/60W/40/347/D/S	4ft 60W 40K 347V Dimmable, with Sensor	60	347	50,000	7000	4000	>80	48	10
3666208	Y	DL-LS/4F/60W/50/347/D/S	4ft 60W 50K 347V Dimmable, with Sensor	60	347	50,000	7000	5000	>80	48	10
3666010		DL-LS/Accessory/SUS	Accessory Suspension Set - Hook&Chain								

Sensor Setting For 120-277V Strip

	Detection Area			Hold Time			Stand-by Period			Daylight Sensor			Stand-by DIM Level			
	1	2		3	4	5	6	7	8				5	6		
ON	●	●	100%	●	●	●	5S	●	●	●	0S	○	○	●	●	50%
●	●	○	75%	○	●	●	30S	○	●	●	5S	○	○	○	●	30%
○	○	●	50%	●	○	●	90S	●	○	●	10min	○	○	○	○	20%
○	○	○	10%	○	○	●	3min	○	○	●	30min	○	○	○	○	10%
○				●	●	○	20min	●	●	○	20min					
○				○	○	○	No Hold	○	○	○	1h					
OFF								○	○	○	Disable					

Default Factory Presetting

Detection Area: 100%, Hold Time: 3min, Stand-by Period: Disable, Daylight Sensor: Disable, Stand-by DIM Level: 20%

Sensor Setting For 347V Strip

	Detection Area			Hold Time			Daylight Sensor			Stand-by Period			Stand-by DIM Level				
	1	2		1	2	3	1	2		1	2	3		1	2		
ON	●	●	100%	●	●	●	5S	●	●	Disable	●	●	●	0S	●	●	10%
●	●	○	75%	●	●	○	30S	●	○	50Lux	●	●	○	10S	●	○	20%
○	○	●	50%	●	○	●	1 min	○	●	10Lux	●	○	●	1 min	○	●	30%
○	○	○	10%	●	○	○	5min	○	○	2Lux	●	○	○	5min	○	○	50%
○				○	●	●	10min				○	●	●	10min			
○				○	●	○	20min				○	●	○	30min			
○				○	○	○	30min				○	○	●	1 h			
OFF											○	○	○	Disable			

Default Factory Presetting

Detection Area: 100%, Hold Time: 5min, Stand-by Period: Disable, Daylight Sensor: Disable, Stand-by DIM Level: 20%

Detection Area: Detection area can be reduced by selecting the combination on the DIP switches to fit precisely each application.

Hold Time: Refers to the time period the lamp remains at 100% illumination after no motion detected.

Stand-by DIM Level: The low light level you would like to have after the hold time in the long absence of people.

Stand-by Period: Refers to the time period the lamp remains at a low light level before it completely switches off in the long absence of people. When set to Disable mode, the low light is maintained until motion is detected.

Daylight Sensor: The sensor can be set to only allow the lamp to illuminate below a defined ambient brightness threshold. When set to Disable mode, the daylight sensor will switch on the lamp when motion is detected regardless of ambient light level. 50lux, 30lux: twilight operation, 10lux, 5lux: darkness operation only.

Note that daylight sensor is active only when lamp totally switches off.

By selecting the combination on the DIP switch, sensor data can be precisely set for each specific application.

LED FIXTURE

DL Series



LED Wrap Around DL-WA1, DL-WA2, DL-WA3

DL-WA1 (LED 4' Wrap Light)
DL-WA2 (LED 2' / 4' Hinged Wrap Light)
DL-WA3 (LED 4' Eco-Wrap Light)

Features & Benefits

CUL listed, DLC*

0-10V dimmable*

High CRI (80+)

Wall or ceiling mounted

L70 @*

PMMA Lens

Damp location rated

Shallow profile, excellent for low ceilings

Warranty

5-year limited warranty in commercial use from the date of purchase

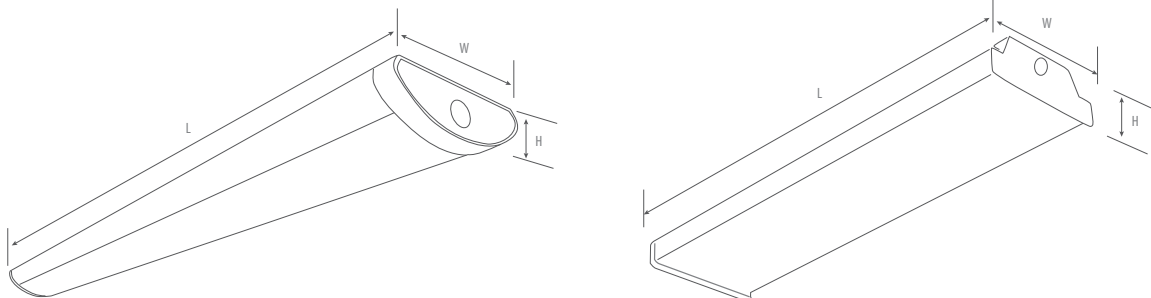
Operating temperature range between -20°C and +40°C

* For applicable models, see product specification below

Applications

Corridors, Carports, storage rooms, retail, commercial, etc.

Dimensional drawing



	L	W	H
DL-WA1/4F	48.5"	5.56"	2"
DL-WA2/2F	24.5"	7.09"	2.8"
DL-WA2/4F	48"	7.09"	2.8"
DL-WA3/4F	48.6"	6.5"	2.5"



LED Wrap Around

DL-WA1, DL-WA2, DL-WA3

Ordering Information Example: DL-WA1/4F/40W/30

Family Name	Fixture Type	Size	Wattage	CCT	Dimmable	Options
DL (DeltaLum)	WA1 (Wrap Around 1)	4F (4')	40W	30 (3000K) 40 (4000K) 50 (5000K)	Blank (non-dimmable)	
	WA2 (Wrap Around 2)	2F (2') 4F (4')	25W 40W	40 (4000K)	D (Dimmable)	
	WA3 (Wrap Around 3)	4F (4')	42W	35 (3500K) 40 (4000K) 50 (5000K)	Blank (non-dimmable)	

Product Specification

Ordering Code	DLC	Model Number	Wattage (W)	Input Voltage (V)	Hour Rating	Beam Angle	Initial Delivered Lumens (lumen)	CCT (K)	CRI	Damp Location	M.O.L (inch)	Case QTY.
3665129	-	DL-WA1/4F/40W/30	40	120-277V	50,000	120°	4,200	3000K	>80	Yes	48	4
3665124	Y	DL-WA1/4F/40W/40	40	120-277V	50,000	120°	4,200	4000K	>80	Yes	48	4
3665125	Y	DL-WA1/4F/40W/50	40	120-277V	50,000	120°	4,200	5000K	>80	Yes	48	4
3664124	Y	DL-WA2/2F/25W/40/UNV/D	25	120-277V	100,000	120°	3250	4000K	>80	Yes	24.5	4
3665135	Y	DL-WA2/4F/40W/40/UNV/D	40	120-277V	100,000	120°	5200	4000K	>80	Yes	48	4
3665136	Y	DL-WA3/4F/42W/35/UNV	42	120-277V	100,000	120°	5460	3500K	>80	Yes	48	4
3665137	Y	DL-WA3/4F/42W/40/UNV	42	120-277V	100,000	120°	5460	4000K	>80	Yes	48	4
3665138	Y	DL-WA3/4F/42W/50/UNV	42	120-277V	100,000	120°	5460	5000K	>80	Yes	48	4
3660052		DL-WA2/2F/LENS	DeltaLum Hinged-Wrap Light 2ft. Replacement PMMA Lens									
3660053		DL-WA2/4F/LENS	DeltaLum Hinged-Wrap Light 4ft. Replacement PMMA Lens									
3660054		DL-WA3/4F/LENS	DeltaLum Eco-Wrap Light 4ft. Replacement PMMA Lens									

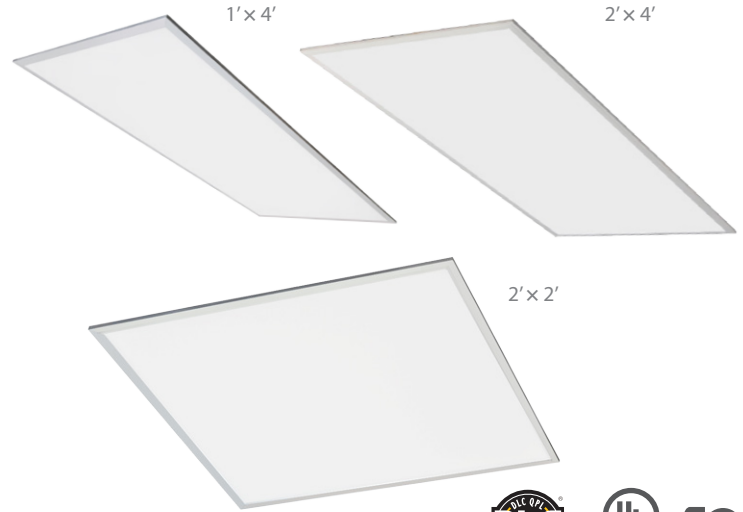


LED FIXTURE

RIGID Series

LED Flat Panel RGD-FP2

Ultra Slim LED Flat Panel Luminaire



Features & Benefits

CETL listed, DLC Premium*

CRI >80

Ultra slim design, no UV & IR emission

3 Convenient sizes

120-347V LED Driver, PF >0.95, 125Lm/W

L70 @ 75,000 Hrs

0-10V Dimmable

Aluminum frame, PMMA Opal lens

110° Beam spread

Excellent illuminating surface uniformity

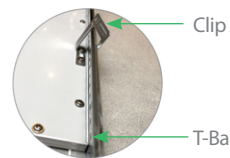
Large wiring box

Warranty

5-year limited warranty in commercial use from the date of purchase

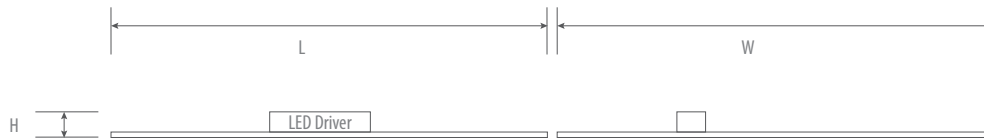
Operating temperature range between -20°C and +60°C

* DLC under qualifying process Q2, 2019



Clip For recessed grid ceiling installations, our 4 mounting clips may be used to securely mount the RGD-FP luminaire to the T-Bar frame or as to act as suspension points.

Dimensional drawing



	L	W	H
2'x2'	23 3/4"	23 3/4"	2 1/4"
1'x4'	11 3/4"	47 3/4"	2 1/4"
2'x4'	23 3/4"	47 3/4"	2 1/4"

Ordering Information Example: PR0-FP2/22/36W/35/120-347V/D

Family Name	Fixture Type	Size	Wattage	CCT (Kelvin)	Voltage	Dimmable
RGD (Rigid)	FP2 (Flat Panel)	22 (2'x2')	30W,36W	35 (3500K)	120 -347V	D (0-10V Dim)
		14 (1'x4')	30W	40 (4000K)		
		24 (2'x4')	40W	50 (5000K)		

Product Specification

Ordering Code	DLC Premium	Model Number	Wattage (W)	Input Voltage (V)	Hour Rating	Initial Delivered Lumens (lumen)	CCT (K)	CRI	Dimension (inch)	Case QTY.
-	Yes	RGD-FP2/22/30W/35/120-347V/D	30	120-347V	75,000	3,750	3500	>80	24X24	2
-	Yes	RGD-FP2/22/30W/40/120-347V/D	30	120-347V	75,000	3,750	4000	>80	24X24	2
-	Yes	RGD-FP2/22/30W/50/120-347V/D	30	120-347V	75,000	3,750	5000	>80	24X24	2
3665234	Yes	RGD-FP2/22/36W/35/120-347V/D	36	120-347V	75,000	4,500	3500	>80	24X24	2
3665235	Yes	RGD-FP2/22/36W/40/120-347V/D	36	120-347V	75,000	4,500	4000	>80	24X24	2
3665238	Yes	RGD-FP2/22/36W/50/120-347V/D	36	120-347V	75,000	4,500	5000	>80	24X24	2
3664209	Yes	RGD-FP2/14/30W/35/120-347V/D	30	120-347V	75,000	3,750	3500	>80	12X48	2
3664210	Yes	RGD-FP2/14/30W/40/120-347V/D	30	120-347V	75,000	3,750	4000	>80	12X48	2
3664211	Yes	RGD-FP2/14/30W/50/120-347V/D	30	120-347V	75,000	3,750	5000	>80	12X48	2
3665236	Yes	RGD-FP2/24/40W/35/120-347V/D	40	120-347V	75,000	5,000	3500	>80	24X48	1
3665237	Yes	RGD-FP2/24/40W/40/120-347V/D	40	120-347V	75,000	5,000	4000	>80	24X48	1
3665239	Yes	RGD-FP2/24/40W/50/120-347V/D	40	120-347V	75,000	5,000	5000	>80	24X48	1



LED FIXTURE

RIGID Series

LED Flat Panel

RGD-FP

Ultra Slim LED Flat Panel Luminaire



Features & Benefits

CETL listed, DLC*

CRI >80

Ultra slim design, no UV & IR emission

3 Convenient sizes

100-347V LED Driver, PF >0.95

L80 @ 50,000 Hrs

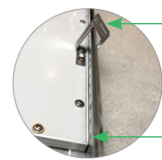
0-10V Dimmable

Aluminum frame, PMMA Opal lens

120° Beam spread

Excellent illuminating surface uniformity

IP40 / IK05



Clip

T-Bar

For recessed grid ceiling installations, our 4 mounting clips may be used to securely mount the RGD-FP luminaire to the T-Bar frame or as to act as suspension points.

Warranty

5-year limited warranty in commercial use from the date of purchase

Operating temperature range between -20°C and +60°C

* DLC under qualifying process Q2, 2018

Applications

Commercial/ Industrial/ Retail location

For use in Offices, Stores, Bank, Airport, Show-room, Restaurant etc.

Installation suspension/ surface mounted/ recessed drywall & T-Bar applicable

Dimensional drawing



	L	W	H
2'x2'	23 3/4"	23 3/4"	2"
1'x4'	11 3/4"	47 3/4"	2"
2'x4'	23 3/4"	47 3/4"	2"



LED Flat Panel

RGD-FP

Ordering Information Example: RGD-FP/22/40W/35/100-347/D

Family Name	Fixture Type	Size	Wattage	CCT (Kelvin)	Voltage	Dimmable	Options
RGD (Rigid)	FP (Flat Panel)	22 (2'x2')	40W	35 (3500K) 40 (4000K) 50 (5000K)	100-347 (100-347V)	D (Dimmable)	
		14 (1'x4')	45W				
		24 (2'x4')	45W 65W				

Product Specification

Ordering Code	DLC	Model Number	Wattage (W)	Input Voltage (V)	Hour Rating	Initial Delivered Lumens (lumen)	CCT (K)	CRI	Dimension (inch)	Case QTY.	
3665210	Yes	RGD-FP/22/40W/35/100-347/D	40	100-347V	50,000	4,000	35	>80	24X24	2	
3665211	Yes	RGD-FP/22/40W/40/100-347/D	40	100-347V	50,000	4,000	40	>80	24X24	2	
3665216	Yes	RGD-FP/22/40W/50/100-347/D	40	100-347V	50,000	4,000	50	>80	24X24	2	
3665212	Yes	RGD-FP/14/45W/35/100-347/D	45	100-347V	50,000	4,500	35	>80	12X48	2	
3665213	Yes	RGD-FP/14/45W/40/100-347/D	45	100-347V	50,000	4,500	40	>80	12X48	2	
3665217	Yes	RGD-FP/14/45W/50/100-347/D	45	100-347V	50,000	4,500	50	>80	12X48	2	
3665214	Yes	RGD-FP/24/45W/35/100-347/D	45	100-347V	50,000	4,500	35	>80	24X48	1	
3665215	Yes	RGD-FP/24/45W/40/100-347/D	45	100-347V	50,000	4,500	40	>80	24X48	1	
3665218	Yes	RGD-FP/24/45W/50/100-347/D	45	100-347V	50,000	4,500	50	>80	24X48	1	
3666222	Yes	RGD-FP/24/65W/35/100-347/D	65	100-347V	50,000	6,500	35	>80	24X48	1	
3666223	Yes	RGD-FP/24/65W/40/100-347/D	65	100-347V	50,000	6,500	40	>80	24X48	1	
3666224	Yes	RGD-FP/24/65W/50/100-347/D	65	100-347V	50,000	6,500	50	>80	24X48	1	
3660019		RGD-FP/22/FRM/WH	RIGID Flat Panel Surface Mount Frame 2'x2', White								8
3660020		RGD-FP/14/FRM/WH	RIGID Flat Panel Surface Mount Frame 1'x4', White								8
3660021		RGD-FP/24/FRM/WH	RIGID Flat Panel Surface Mount Frame 2'x4', White								8
3660023		RGD-FP/SUSP/ACC	RIGID Flat Panel Air Craft Cable Suspension								50



LED FIXTURE

RIGID Series



LED Centre Basket

RGD-CB

Recessed commercial grade lay-in luminaire, clean contemporary low glare design, incorporating switchable CCT.



Features & Benefits

- 110-347V LED auto-sensing driver
- Switchable CCT (30K/ 35K/ 40K)*
- PMMA lens offers clean look low glare
- Range of sizes (2'x2', 2'x4' available)
- High quality metal construction in white powder coat finish

- DLC approved**
- L70 @ 50,000 Hrs
- 0-10V Dimmable
- High CRI (80+)

* 50K for specific applications available
**DLC under qualifying process Q2, 2018

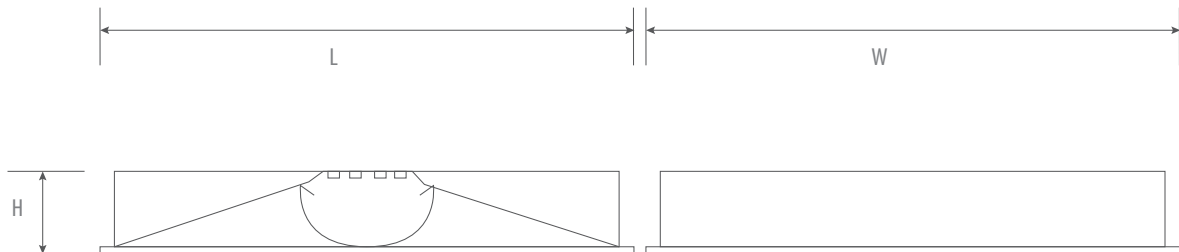
Warranty

- 5-year limited warranty in commercial use from the date of purchase
- Operating temperature range between -20°C and +40°C

Applications

Commercial/ Industrial/ Retail location
For use in Offices, Stores, Schools, Medical building where ever quality light is required.

Dimensional drawing



	L	W	H
2'x2'	23 3/4"	23 3/4"	2 3/4"
2'x4'	47 3/4"	23 3/4"	2 3/4"



LED Centre Basket

RGD-CB

Ordering Information Example: RGD-CB/22/24W/MULTI-K/110-347V

Family Name	Fixture Type	Size	Wattage	CCT (Kelvin)	Voltage	Options
RGD (Rigid)	CB (Centre Basket)	22 (2'x2')	24W 30W	MULTI-K (Multiple CCT, 30K/35K/40K Switchable) 50 (50K)	110-347V	
		24 (2'x4')	37W 50W			

Product Specification

Ordering Code	DLC	Model Number	Wattage (W)	Input Voltage (V)	Hour Rating	Initial Lumens (lumen)	CCT (K)	CRI	Dimension (inch)	Case QTY.
3664200	Yes	RGD-CB/22/24W/MULTI-K/110-347V	24	110-347V	50,000	3,100	30K,35K,40K	>80	24X24	1
3664201	Yes	RGD-CB/22/30W/MULTI-K/110-347V	30	110-347V	50,000	3,700	30K,35K,40K	>80	24X24	1
3665219	Yes	RGD-CB/24/37W/MULTI-K/110-347V	37	110-347V	50,000	4,500	30K,35K,40K	>80	24X48	1
3665220	Yes	RGD-CB/24/50W/MULTI-K/110-347V	50	110-347V	50,000	6,000	30K,35K,40K	>80	24X48	1
3664202	Yes	RGD-CB/22/30W/50/110-347V	30	110-347V	50,000	3,700	50K	>80	24X24	1
3665221	Yes	RGD-CB/24/50W/50/110-347V	50	110-347V	50,000	6,000	50K	>80	24X48	1



LED FIXTURE

TRK Series



LED TRACK HEAD TRK-PIN

Unique design with it's sleek appearance. Over 50% energy saving compare to ceramic metal halide thanks to the high efficacy up to 115lm per watt. The wide range of accessories and interchangeable lens affords it even greater choice and flexibility.

Features & Benefits

Anti-glare, over 100 LPW

Color finish (White, Silver, Black)

TRIAC/ELV Dimmable: Smooth dimming range from 100% to 10%

Die casting aluminum housing

Precise light distribution

Macadam 3 SDCM

Ultraviolet (UV) + Infrared (IR) free light

Passive cooling system without fans

Warranty

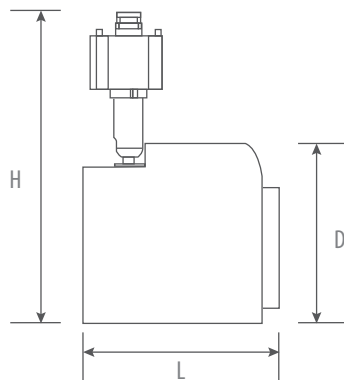
5-year limited warranty in commercial use from the date of purchase

Operating temperature range between -20°C and +40°C

Applications

Residential, Retail, Art-gallery, Museum, Automotive and Parking, Education, Government, Healthcare, Hospitality, Offices and Banks, etc.

Dimensional drawing



	D	L	H
S (Size Small)	2 3/8"	3 3/4"	5 5/8"
M (Size Medium)	4"	4 1/4"	6 3/4"
L (Size Large)	4 3/8"	5 1/2"	7 1/2"



LED TRACK HEAD

TRK-PIN

Ordering Information

Example: TRK-PIN/L/34W/120/30K/24/D/WH/H

Family Name	Fixture Type	Size	Wattage	Voltage (V)	CCT	Beam Angle	Dimmable	Color Finish	MTD Adapter	Lumen
TRK (Track)	PIN (Pinch)	S (Small)	10W	120 (120V)	30K (3000K)	24 (24°)	D (Dimmable)	WH (White) SL (Silver) BK (Black)	H (H Type)	820
		M (Medium)	14W 22W			1340 2030				
		L (Large)	34W			3200				

Product Specification

DLC	Model Number	Wattage (W)	Input Voltage (V)	CCT Optial	Beam Angle	Power Factor	Dimmable	Lumen Flux	CRI Optial
Yes	TRK-PIN/L/34W/120/30K/24/D/WH/H	34	120	3000K	24°, 40°, 60°	>0.95	Yes	3200lm (3000K)	CRI82



LED FIXTURE

NXL Series

LED High Bay NXL-HB

LED High Bay Lighting Fixture with vertical 'chimney' thermal design



60W~200W

250W~300W



Features & Benefits

CUL listed, DLC

System light efficacy ≥ 130 Lumens per watt

White powder coated finish die cast aluminum housing prevents corrosion

Long life advanced thermal dynamics and heat dissipation

Frosted PC Lens type

Stem or hook mounting

Optional 0-10V dimming function

CRI ≥ 80 , L70@ 100,000 hrs

Voltage 120-277V / 347V-480V

PF >0.98

IP65 rated, Wet location

10' power cord

Warranty

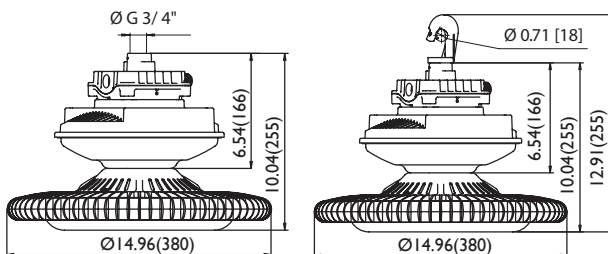
7-year limited warranty in commercial use from the date of purchase

Operating temperature range between -30°C and +50°C

Applications

Warehouse/Manufacturing Facilities, Convention Centers/Sporting Arenas
Big-Box Retail Stores, Cold Storage Facilities, Gymsnasiums

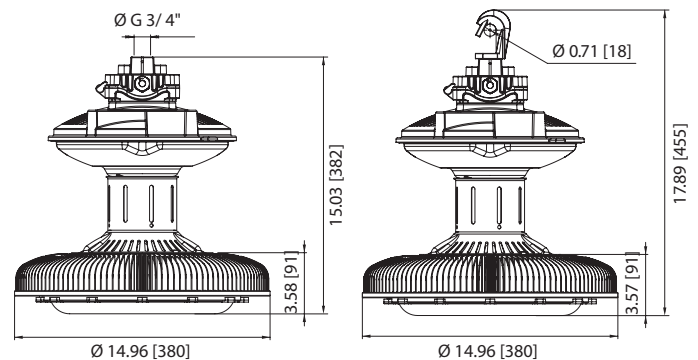
Dimensional drawing



Stem Installation

Hook installation

60W~200W



Stem Installation

Hook installation

250W~300W



LED High Bay

NXL-HB

Ordering Information Example: NXL-HB/60W/5/50/UNV/PCF/HK/D

Family Name	Fixture Type	Wattage	IES Type	CCT (K)	Voltage (V)	Lens	Bracket Type	Dimmable	Option
NXL (New XL)	HB (High Bay)	300W 250W 200W 150W 120W 100W 80W 60W	5 (Type V)	50 (5000K)	UNV (120-277V) HVU (347-480V)	PCF (PC lens, Frosted)	HK (Hook Mounting) PP (Pipe/ Conduit)	D (0~10 Dimming)	S (Sensor) 16" PC Hood 19" PC Hood 22" PC Hood 16" PC Conical Lens 19" PC Conical Lens 22" PC Conical Lens

Product Specification

Ordering Code	DLC	Model Number	Wattage (W)	Input Voltage (V)	IP	Lum/W	Initial Lumens (lm)	Hour Rating L70	Hour Rating L90	CCT (K)	CRI	IES Type	Dimension LxWxH(mm)	Case QTY.
3686110	Y	NXL-HB/60W/5/50/UNV/PCF/HK/D	60	120-277	65	133	7,950	50,000	36,000	5000	80	V	380 x 380 x 255	1
3686111	Y	NXL-HB/80W/5/50/UNV/PCF/HK/D	80	120-277	65	138	11,010	50,000	36,000	5000	80	V	380 x 380 x 255	1
3686112	Y	NXL-HB/100W/5/50/UNV/PCF/HK/D	100	120-277	65	130	13,030	50,000	36,000	5000	80	V	380 x 380 x 255	1
3687104	Y	NXL-HB/120W/5/50/UNV/PCF/HK/D	120	120-277	65	131	15,680	50,000	36,000	5000	80	V	380 x 380 x 255	1
3687105	Y	NXL-HB/150W/5/50/UNV/PCF/HK/D	150	120-277	65	135	20,190	50,000	36,000	5000	80	V	380 x 380 x 255	1
3687106 ¹	Y	NXL-HB/200W/5/50/UNV/PCF/HK/D	200	120-277	65	130	26,020	50,000	36,000	5000	80	V	380 x 380 x 255	1
3688101	Y	NXL-HB/250W/5/50/UNV/PCF/HK/D	250	120-277	65	133	33,130	50,000	36,000	5000	80	V	380 x 380 x 382	1
3688102	Y	NXL-HB/300W/5/50/UNV/PCF/HK/D	300	120-277	65	131	39,420	50,000	36,000	5000	80	V	380 x 380 x 382	1
3686200	Y	NXL-HB/60W/5/50/HVU/PCF/HK/D	60	347-480	65	133	7,950	50,000	36,000	5000	80	V	380 x 380 x 255	1
3686201	Y	NXL-HB/80W/5/50/HVU/PCF/HK/D	80	347-480	65	138	11,010	50,000	36,000	5000	80	V	380 x 380 x 255	1
3686202	Y	NXL-HB/100W/5/50/HVU/PCF/HK/D	100	347-480	65	130	13,030	50,000	36,000	5000	80	V	380 x 380 x 255	1
3687200	Y	NXL-HB/120W/5/50/HVU/PCF/HK/D	120	347-480	65	131	15,680	50,000	36,000	5000	80	V	380 x 380 x 255	1
3687201	Y	NXL-HB/150W/5/50/HVU/PCF/HK/D	150	347-480	65	135	20,190	50,000	36,000	5000	80	V	380 x 380 x 255	1
3687202	Y	NXL-HB/200W/5/50/HVU/PCF/HK/D	200	347-480	65	130	26,020	50,000	36,000	5000	80	V	380 x 380 x 255	1
3688200	Y	NXL-HB/250W/5/50/HVU/PCF/HK/D	250	347-480	65	133	33,130	50,000	36,000	5000	80	V	380 x 380 x 382	1
3688201	Y	NXL-HB/300W/5/50/HVU/PCF/HK/D	300	347-480	65	131	39,420	50,000	36,000	5000	80	V	380 x 380 x 382	1

Hood + Lens Addition

3660026	NXL-HB/16/PC/HOOD	New XL 16" Poly Carbonate Hood, Clear
3660028	NXL-HB/19/PC/HOOD	New XL 19" Poly Carbonate Hood, Clear
3660030	NXL-HB/22/PC/HOOD	New XL 22" Poly Carbonate Hood, Clear
3660025	NXL-HB/16/PC/CL	New XL 16" Poly Carbonate Hood, Conical Lens, Clear
3660027	NXL-HB/19/PC/CL	New XL 19" Poly Carbonate Hood, Conical Lens, Clear
3660029	NXL-HB/22/PC/CL	New XL 22" Poly Carbonate Hood, Conical Lens, Clear



PC Hood



PC Conical Len

¹ NXL-HB/200W approved -30°C ~ +65°C



LED FIXTURE

SSL Series

LED High Bay SSL-UHB

LED High Bay Lighting Fixture with Magnesium Alloy heatsink



Features & Benefits

cETC listed, DLC Premium

System light efficacy 130 LPW

Magnesium Alloy material, lighter in weight

Tilted heat sink back design for easy wash-off

Superior electrical and thermal conductivity

Durable TGIC painting **White** finish, better for tough weather conditions

10 ft power cord

LG LED Chip

CRI≥80, L70@ 100,000 Hrs

Voltage 120-277V and 347/480V

120° Beam spread

1-10V dimming

IP65 rated, wet location

Warranty

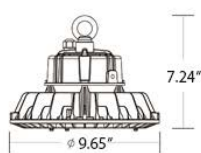
5-year limited warranty in commercial use from the date of purchase

Operating temperature range between -40°C and +50°C

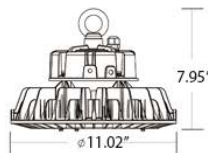
Applications

Warehouse/Manufacturing Facilities, Convention Centers/Sporting Arenas
Big-Box Retail Stores, Cold Storage Facilities, Gymnasiums

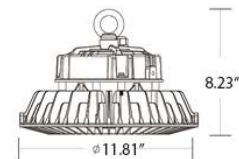
Dimensional drawing



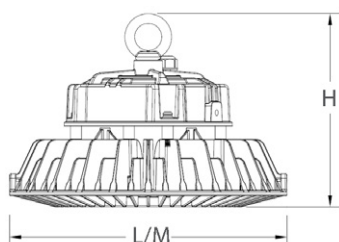
100W



150W



200W



	L	W	H
100W	9.65"	9.65"	7.24"
150W	11.02"	11.02"	7.95"
200W	11.81"	11.81"	8.23"



LED High Bay

SSL-UHB

Ordering Information Example: SSL-UHB/100W/50/UNV/HK/D

Family Name	Fixture Type	Wattage	CCT	Voltage (V)	Mounting	Dimmable	Options
SSL (Solid State Lighting)	UHB (Universal High Bay)	100W 150W 200W	50 (5000K)	UNV (120-277V) HVU (347/480V)	HK (Hook Mounting)	D (1-10V dimming)	SSL-UHB/14/AL/HOOD/90D SSL-UHB/16/PC/HOOD/70D SSL-UHB/PC/DIFFUSER/17UP SSL-UHB/JBOX SSL-UHB/SENSOR SSL-UHB/IP65JBOX



HK (Hook Mounting)

Product Specification

DLC	Model Number	Wattage (W)	Input Voltage (V)	Hour Rating	Initial Delivered Lumens (lumen)	CCT (K)	CRI	Dimension L×W×H(inch)	Case QTY.
Y	SSL-UHB/100W/50/UNV/HK/D	100	120-277V	100,000	13,000	5000	≥80	9.65×9.65×7.24	1
Y	SSL-UHB/100W/50/HVU/HK/D	100	347/480V	100,000	13,000	5000	≥80	9.65×9.65×7.24	1
Y	SSL-UHB/150W/50/UNV/HK/D	150	120-277V	100,000	19,500	5000	≥80	11.02×11.02×7.95	1
Y	SSL-UHB/150W/50/HVU/HK/D	150	347/480V	100,000	19,500	5000	≥80	11.02×11.02×7.95	1
Y	SSL-UHB/200W/50/UNV/HK/D	200	120-277V	100,000	26,000	5000	≥80	11.81×11.81×8.23	1
Y	SSL-UHB/200W/50/HVU/HK/D	200	347/480V	100,000	26,000	5000	≥80	11.81×11.81×8.23	1
	SSL-UHB/14/AL/HOOD/90D	90 Degree 14" Aluminium Hood							
	SSL-UHB/16/PC/HOOD/70D	70 Degree 16" Polycarbonate Hood							
	SSL-UHB/PC/DIFFUSER/17UP	180 Degree Polycarbonate Diffuser w/ 17% up light.							
	SSL-UHB/JBOX	Junction Box for Conduit Mtg, Through Wiring, White Finish							
	SSL-UHB/SENSOR	Sensor, 120-277V, Daylight & Motion sensing.							
	SSL-UHB/IP65JBOX	IP65 Junction Box (use with Sensor) applications.							



90° Aluminium Reflector
SSL-UHB/14/AL/HOOD/90D



70° PC Reflector
SSL-UHB/16/PC/HOOD/70D



180° PC Lens
SSL-UHB/PC/DIFFUSER/17UP



Junction Box
SSL-UHB/JBOX



Sensor
SSL-UHB/SENSOR



Junction Box (use with sensor)
SSL-UHB/IP65JBOX



LED FIXTURE

SSL Series



LED Linear High Bay SSL-LHB2

Offering quality lighting and excellent energy savings compared to linear fluorescent and HID high bay fixtures.



Features & Benefits

CUL listed, DLC Premium

Available with lumen outputs from 11,700 to 34,715 lumens

System light efficacy ≥ 130 lm/W

Voltage 120-277V/ 347V

1-10V dimmable

Damp location rated, L70@ 100,000Hrs

CRI >80

Formed steel housing with white powder coat finish/ Frosted lens

120° Beam spread

10' White Cord, 10' Aircraft Cable (set)

Warranty

5-year limited warranty in commercial use from the date of purchase

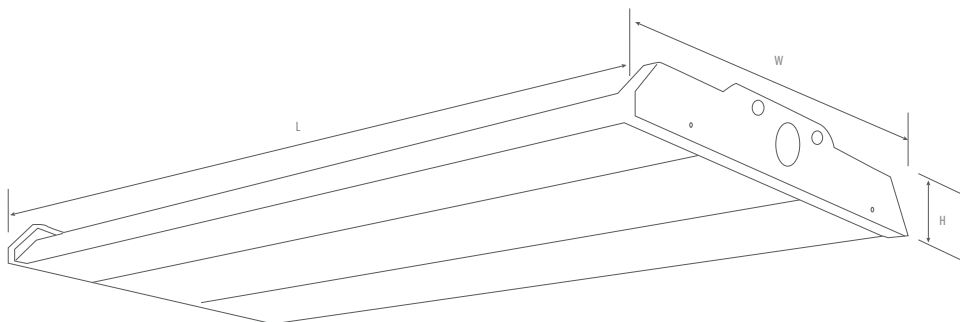
Operating temperature range between -40°C and +50°C

* DLC under qualifying process Q2, 2018

Applications

Warehouse, Factory, Convention Center, Gymnasium etc.

Dimensional drawing



	L	W	H
90W,135W,175W	24.8"	15"	2"
265W	24.8"	18.90"	2"



LED Linear High Bay

SSL-LHB2

Ordering Information Example: SSL-LHB2/90W/40/UNV/AC/D

Family Name	Fixture Type	Wattage	CCT	Voltage (V)	Mounting	Dimmable
SSL (Solid State Lighting)	LHB2 (Linear High Bay)	90W 135W 175W 265W	40 (4000K) 50 (5000K)	UNV (120-277V) 347(347V)	AC (Aircraft Cable 10' set)	D (Dimmable)

Product Specification

Ordering Code	DLC	Model Number	Wattage (W)	Input Voltage (V)	Hour Rating	Initial Delivered Lumens (lumen)	CCT (K)	CRI	Dimension LxWxH(inch)	Case QTY.
3666128	Y	SSL-LHB2/90W/40/UNV/AC/D	90	120-277V	100,000	11,700	4000	>80	24.8" x 15" x 2"	1
3666129	Y	SSL-LHB2/90W/50/UNV/AC/D	90	120-277V	100,000	11,790	5000	>80	24.8" x 15" x 2"	1
3666233	Y	SSL-LHB2/90W/40/347/AC/D	90	347V	100,000	11,700	4000	>80	24.8" x 15" x 2"	1
3666234	Y	SSL-LHB2/90W/50/347/AC/D	90	347V	100,000	11,790	5000	>80	24.8" x 15" x 2"	1
3667117	Y	SSL-LHB2/135W/40/UNV/AC/D	135	120-277V	100,000	17,550	4000	>80	24.8" x 15" x 2"	1
3667118	Y	SSL-LHB2/135W/50/UNV/AC/D	135	120-277V	100,000	17,685	5000	>80	24.8" x 15" x 2"	1
3667219	Y	SSL-LHB2/135W/40/347/AC/D	135	347V	100,000	17,550	4000	>80	24.8" x 15" x 2"	1
3667220	Y	SSL-LHB2/135W/50/347/AC/D	135	347V	100,000	17,685	5000	>80	24.8" x 15" x 2"	1
3667119	Y	SSL-LHB2/175W/40/UNV/AC/D	175	120-277V	100,000	23,140	4000	>80	24.8" x 15" x 2"	1
3667120	Y	SSL-LHB2/175W/50/UNV/AC/D	175	120-277V	100,000	23,318	5000	>80	24.8" x 15" x 2"	1
3667221	Y	SSL-LHB2/175W/40/347/AC/D	175	347V	100,000	23,140	4000	>80	24.8" x 15" x 2"	1
3667222	Y	SSL-LHB2/175W/50/347/AC/D	175	347V	100,000	23,318	5000	>80	24.8" x 15" x 2"	1
3668104	Y	SSL-LHB2/265W/40/UNV/AC/D	265	120-277V	100,000	34,450	4000	>80	24.8" x 18.9" x 2"	1
3668105	Y	SSL-LHB2/265W/50/UNV/AC/D	265	120-277V	100,000	34,715	5000	>80	24.8" x 18.9" x 2"	1
3668204	Y	SSL-LHB2/265W/40/347/AC/D	265	347V	100,000	34,450	4000	>80	24.8" x 18.9" x 2"	1
3668205	Y	SSL-LHB2/265W/50/347/AC/D	265	347V	100,000	34,715	5000	>80	24.8" x 18.9" x 2"	1
		SSL-LHB2/MWG	Medium wire guard (for 90W, 135W, 175W LHB2)							
		SSL-LHB2/LWG	Large wire guard (for 265W LHB2)							



LED FIXTURE

SSL Series

LED Linear High Bay SSL-LHB

Offering quality lighting and excellent energy savings compared to linear fluorescent and HID high bay fixtures.



With Sensor



Features & Benefits

CUL listed, DLC*

Available with lumen outputs from 12,000 to 24,000 lumens

Power factor >0.9. 0-10V dimmable standard

Damp location rated

LM-80 certified high performance and reliable Osram and Lumileds LEDs.

Formed steel housing with white powder coat finish

Bi-level PIR Sensor and Remote optional

120° Beam spread

Warranty

5-year limited warranty in commercial use from the date of purchase

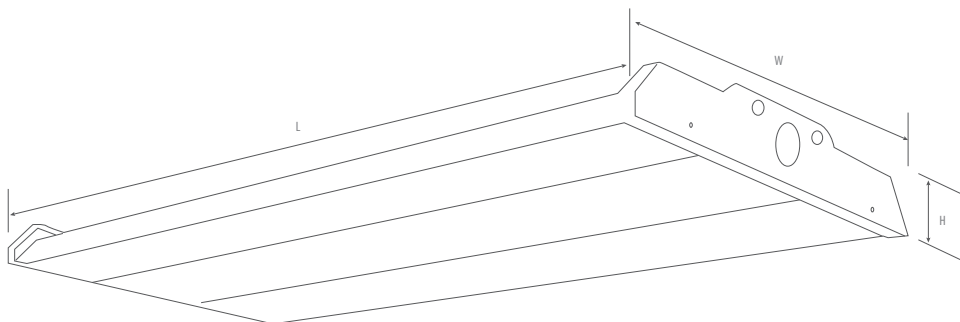
Operating temperature range between -40°C and +55°C

* DLC under qualifying process Q2, 2018

Applications

Warehouse, Factory, Convention Center, Gymnasium etc.

Dimensional drawing



	L	W	H
90W	23.9"	10.3"	1.8"
130W, 180W, 190W	23.9"	19.7"	1.8"



LED Linear High Bay

SSL-LHB

Ordering Information Example: SSL-LHB/90W/40/UNV/AC/D

Family Name	Fixture Type	Wattage	CCT	Voltage (V)	Mounting	Dimmable	Options
SSL (Solid State Lighting)	LHB (Linear High Bay)	90W 130W 180W/190W*	40 (4000K) 50 (5000K)	UNV (120-277V) HVU (347/480V)	AC (Air Craft Cable Mount)	D (Dimmable)	SSL-FL/SB/UNV/PIR (PIR sensor integral indoor / outdoor application)** TL-2060/BX (PIR sensor external use)** TL-2060-RC (Remote control)

* 180W UNV (120-277V) only, 190W HVU (347/480V) only

** Lens options available

L1 (360° lens, maximum coverage 48' diameter from 20' height)

H2 (360° lens, maximum coverage 60' diameter from 40' height)

I.E. SSL-FL/SB/UNV/PIR/L1 or TL-2060/BX/H2

Product Specification

Ordering Code	DLC	Model Number	Wattage (W)	Input Voltage (V)	Hour Rating	Initial Delivered Lumens (lumen)	CCT (K)	CRI	Dimension LxWxH(inch)	Case QTY.
3666121	Y	SSL-LHB/90W/40/UNV/AC/D	90	120-277V	50,000	11,700	4000	>80	23.92x10.31x1.83	1
3666122	Y	SSL-LHB/90W/50/UNV/AC/D	90	120-277V	50,000	11,700	5000	>80	23.92x10.31x1.83	1
3666226	Y	SSL-LHB/90W/40/HVU/AC/D	90	347/480V	50,000	11,700	4000	>80	23.92x10.31x1.83	1
3666227	Y	SSL-LHB/90W/50/HVU/AC/D	90	347/480V	50,000	11,700	5000	>80	23.92x10.31x1.83	1
3667111	Y	SSL-LHB/130W/40/UNV/AC/D	130	120-277V	50,000	17,000	4000	>80	23.92x19.69x1.83	1
3667112	Y	SSL-LHB/130W/50/UNV/AC/D	130	120-277V	50,000	17,000	5000	>80	23.92x19.69x1.83	1
3667213	Y	SSL-LHB/130W/40/HVU/AC/D	130	347/480V	50,000	17,000	4000	>80	23.92x19.69x1.83	1
3667214	Y	SSL-LHB/130W/50/HVU/AC/D	130	347/480V	50,000	17,000	5000	>80	23.92x19.69x1.83	1
3667113	Y	SSL-LHB/180W/40/UNV/AC/D	180	120-277V	50,000	23,500	4000	>80	23.92x19.69x1.83	1
3667114	Y	SSL-LHB/180W/50/UNV/AC/D	180	120-277V	50,000	23,500	5000	>80	23.92x19.69x1.83	1
3667215	Y	SSL-LHB/190W/40/HVU/AC/D	190	347/480V	50,000	23,800	4000	>80	23.92x19.69x1.83	1
3667216	Y	SSL-LHB/190W/50/HVU/AC/D	190	347/480V	50,000	23,800	5000	>80	23.92x19.69x1.83	1
		SSL-FL/SB/UNV/PIR	PIR sensor 0-10V integral indoor/ outdoor application (remote programming tool required)							
		TL-2060/BX	PIR sensor external use							
		TL-2060-RC	Wireless remote control							



T5 High Bay HB-T5

Fluorescent & LED tube High Bay fixture, white / Alanod Chrome reflector



Features & Benefits

4, 6 or 8 tube fixtures, T5 fluorescent & LED tube available

120-277V/ 347-480V input voltage

White / Alanod (320G) Chrome reflector options

Easy installation, tough body & quick access ballast door

Chain Mounting

Quick motion sensor connection with easy connector (optional TL-0008)

Default with Advance Electronic Ballast

10' cord c/w hanger supplied

Warranty

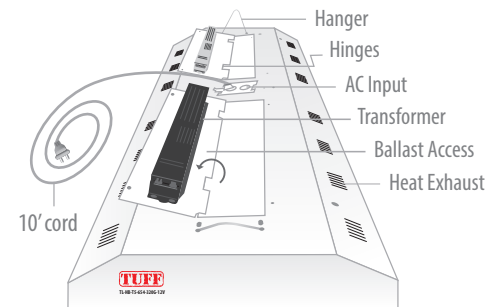
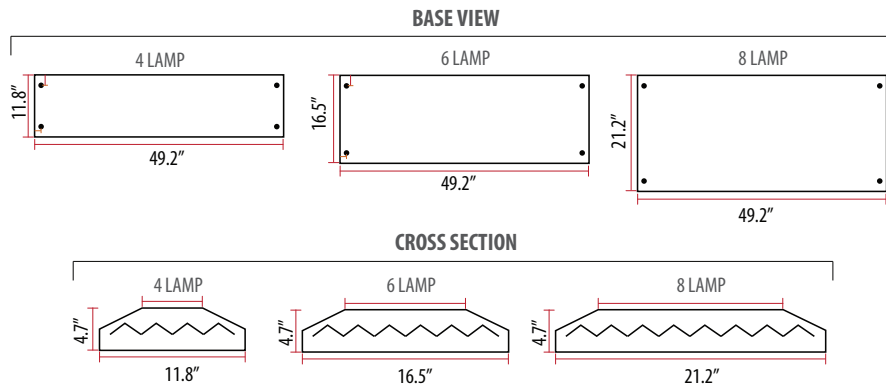
1-year limited warranty in commercial use from the date of purchase for fixture
Ballast warranted by brand

Operating temperature range between -29°C and +45°C

Applications

Warehouse/Manufacturing Facilities, Convention Centers/Sporting Arenas
Big-Box Retail Stores, Cold Storage Facilities, Gymnasiums

Dimensional drawing





T5 High Bay

HB-T5

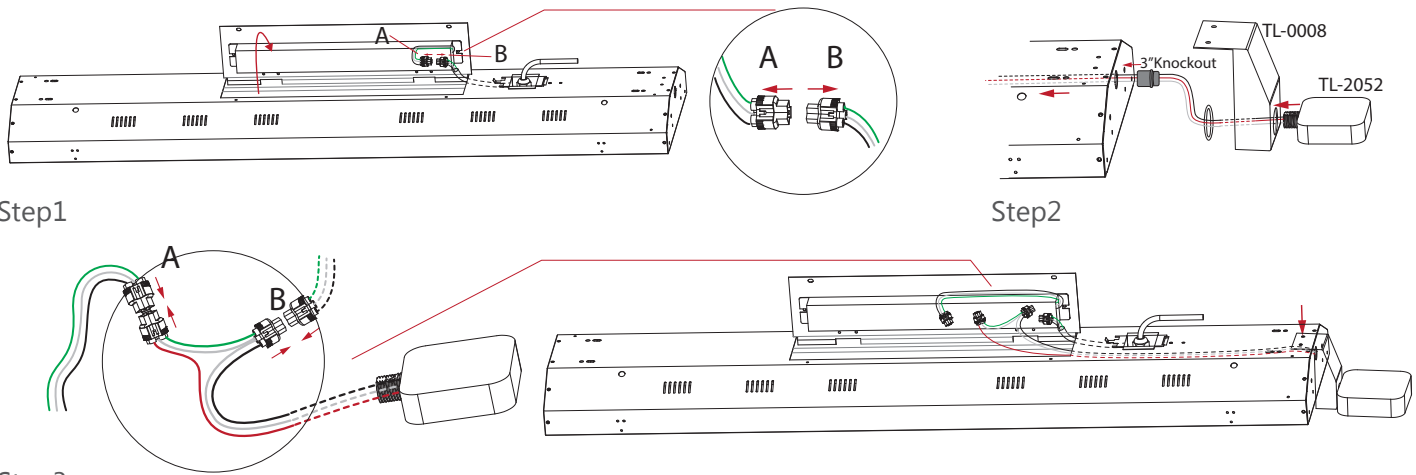
Ordering Information Example: HB-T5-454-120V-C

Fixture Type	Lamp	# of Tubes	Wattage (fluorescent tube)	Voltage (V)	With Cord	Accessories
HB (TUFF™ High Bay)	T5 (fluorescent & LED)	4 6 8	54 (54W)	120V (120-277V) 347V (347-480V)	C (10' Cord)	Acrylic Door Wire Guard Aircraft Cables Motion Sensor

Product Specification

Ordering Code	Model Number	Description	# of Tubes	Voltage	Ballast	Dimension LxWxH (inch)	Skid QTY.
3187106	HB-T5-454-120V-C	T5 High Bay 4 tube UNV Chrome Reflector 10ft Cord	4	120-277V	Advance	11.8X4.7X49.2	39
3187206	HB-T5-454-347V-C	T5 High Bay 4 tube 347V Chrome Reflector 10ft Cord	4	347-480V	Advance	11.8X4.7X49.2	39
3187107	HB-T5-654-120V-C	T5 High Bay 6 tube UNV Chrome Reflector 10ft Cord	6	120-277V	Advance	16.5X4.7X49.2	26
3187207	HB-T5-654-347V-C	T5 High Bay 6 tube 347V Chrome Reflector 10ft Cord	6	347-480V	Advance	16.5X4.7X49.2	26
3187110	HB-T5-854-120V-C	T5 High Bay 8 tube UNV Chrome Reflector 10ft Cord	8	120-277V	Advance	21.2X4.7X49.2	26
3187210	HB-T5-854-347V-C	T5 High Bay 8 tube 347V Chrome Reflector 10ft Cord	8	347-480V	Advance	21.2X4.7X49.2	26
3167100	HB-T5W-454-120V-C	T5 High Bay 4 tube UNV White Reflector 10ft Cord	4	120-277V	Advance	11.8X4.7X49.2	39
3167200	HB-T5W-454-347V-C	T5 High Bay 4 tube 347V White Reflector 10ft Cord	4	347-480V	Advance	11.8X4.7X49.2	39
3167101	HB-T5W-654-120V-C	T5 High Bay 6 tube UNV White Reflector 10ft Cord	6	120-277V	Advance	16.5X4.7X49.2	26
3167201	HB-T5W-654-347V-C	T5 High Bay 6 tube 347V White Reflector 10ft Cord	6	347-480V	Advance	16.5X4.7X49.2	26
3180000	Acrylic Door - 4 Lamps	Acrylic Door Frame Accessory for 4 tube High Bay T5 Fixture Acrylic					
3180001	Acrylic Door - 6 Lamps	Door Frame Accessory for 6 tube High Bay T5 Fixture Acrylic Door					
3180005	Acrylic Door - 8 Lamps	Frame Accessory for 8 tube High Bay T5 Fixture Wire Guard					
3180002	Wire Guard - 4 Lamps	Accessory for 4 tube High Bay T5 Fixture					
3180003	Wire Guard - 6 Lamps	Wire Guard Accessory for 6 tube High Bay T5 Fixture					
3180006	Wire Guard - 8 Lamps	Wire Guard Accessory for 8 tube High Bay T5 Fixture					
3180004	Aircraft Cable	3m Adjustable Aircraft Cable					
3768101	TL-2052	High Bay Passive Infrared Fixture Mounted Occupancy Sensor White		120-277/347V			
3768104	TL-2052-A	Occupancy Sensor Adapter ; High-Impact Housing, injection molded plastic					
3768105	TL-0008	Easy Connector for motion sensor, with 3 inches knockout					

Sensor Connection Guide





LED FIXTURE

NXL Series

LED Flood NXL-FL

LED Flood Lighting Fixture with vertical 'chimney' thermal design



120W~150W

180W~300W



Features & Benefits

CUL listed, DLC

System light efficacy ≥ 142 Lumens per watt

Black / White powder coated finish die cast aluminum housing prevents corrosion and looks incredible

Long life advanced thermal dynamics and heat dissipation

Rugged construction for high vibration

Wide range of mounting alternatives available

Clear/ Diffused lens optional

Optional 0-10V dimming function

CRI ≥ 80 , L70@ 100,000 hrs

Voltage 120-277V / 347V-480V

PF >0.98

IP65 rated (Whole Fixture), wet location

Warranty

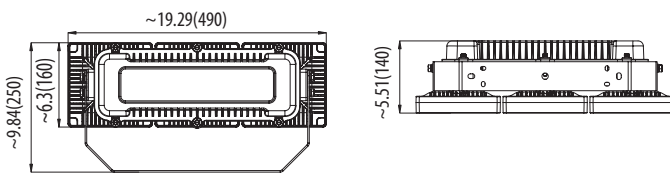
7-year limited warranty in commercial use from the date of purchase

Operating temperature range between -30°C and +50°C

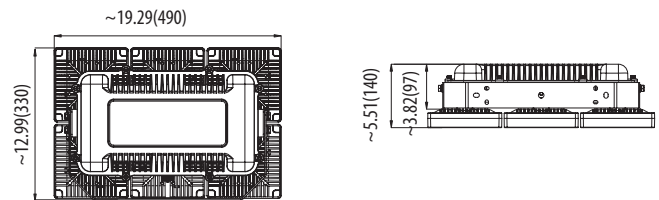
Applications

Parks, Shopping Malls, Outlets, Plazas, City Halls, Historical Sites, Parking Lots, Road Lighting

Dimensional drawing



120W~150W Output



180W~300W Output

Ordering Information Example: NXL-FL/120W/5/50/UNV/GLC/WM

Family Name	Fixture Type	Wattage	IES Type	CCT (K)	Voltage (V)	Lens	Bracket Type	Dimmable
NXL (New XL)	FL (Flood)	300W, 240W, 180W, 150W, 120W	5 (Type V)	50 (5000K)	UNV (120-277V) HVV (347-480V)	GLC (Glass, Clear)	WM (Wall Mounting) SFV (Slip Fitter by Vertical) SSF (Square Slip Fitter) HK (Hook)	D (0~10 Dimming)

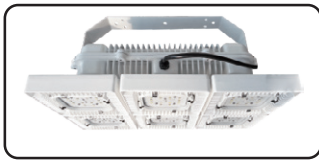
LED Flood

NXL-FL

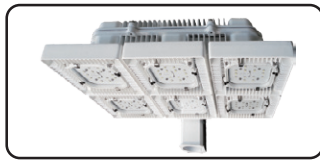
Product Specification

Ordering Code	DLC	Model Number	Wattage (W)	Input Voltage (V)	IP	Lum/W	Initial Lumens (lm)	Hour Rating		CCT (K)	CRI	IES Type	Housing Colour	Dimension L×W×H(mm)	Case QTY.
								L70	L90						
3687100	Y	NXL-FL/120W/5/50/UNV/GLC/W/M	120	120-277	65	144	17,260	50,000	36,000	5000	80	V	Black	490 x 160 x 140	1
3687101	Y	NXL-FL/150W/5/50/UNV/GLC/W/M	150	120-277	65	142	21,240	50,000	36,000	5000	80	V	Black	490 x 160 x 140	1
3687102	Y	NXL-FL/180W/5/50/UNV/GLC/W/M	180	120-277	65	147	26,400	50,000	36,000	5000	80	V	Black	490 x 330 x 140	1
3687103	Y	NXL-FL/240W/5/50/UNV/GLC/W/M	240	120-277	65	143	34,370	50,000	36,000	5000	80	V	Black	490 x 330 x 140	1
3688100	Y	NXL-FL/300W/5/50/UNV/GLC/W/M	300	120-277	65	143	42,760	50,000	36,000	5000	80	V	Black	490 x 330 x 140	1
3687203	Y	NXL-FL/120W/5/50/HVU/GLC/W/M	120	347-480	65	144	17,260	50,000	36,000	5000	80	V	Black	490 x 160 x 140	1
3687204	Y	NXL-FL/150W/5/50/HVU/GLC/W/M	150	347-480	65	142	21,240	50,000	36,000	5000	80	V	Black	490 x 160 x 140	1
3687205	Y	NXL-FL/180W/5/50/HVU/GLC/W/M	180	347-480	65	147	26,400	50,000	36,000	5000	80	V	Black	490 x 330 x 140	1
3687206	Y	NXL-FL/240W/5/50/HVU/GLC/W/M	240	347-480	65	143	34,370	50,000	36,000	5000	80	V	Black	490 x 330 x 140	1
3688202	Y	NXL-FL/300W/5/50/HVU/GLC/W/M	300	347-480	65	143	42,760	50,000	36,000	5000	80	V	Black	490 x 330 x 140	1

Bracket Type



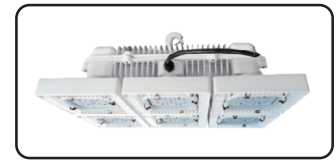
WM - Wall Mounting



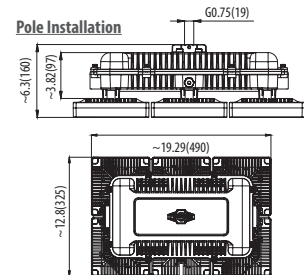
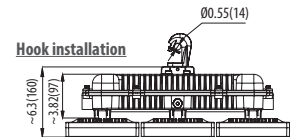
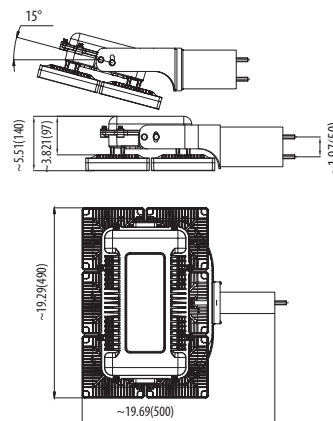
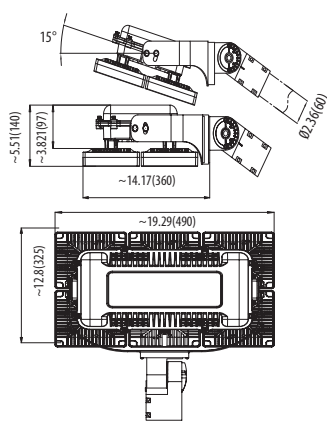
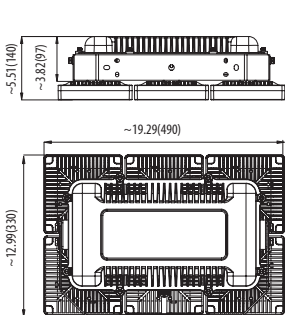
SFV - Slip Fitter by vertical



SSF - Square Slip Fitter



HK - Hook





LED FIXTURE

NXL Series



LED Slim Flood NXL-SFL

LED Slim Flood Lighting Fixture with vertical 'chimney' thermal design



Features & Benefits

CUL listed, DLC

System light efficacy ≥ 136 Lumens per watt

Black powder coated finish die cast aluminum housing prevents corrosion

Long life advanced thermal dynamics and heat dissipation

Rugged construction for high vibration

Wide range of mounting alternatives available

Clear/ Diffused lens optional

Optional 0-10V dimming function

CRI ≥ 80 , L70@ 100,000 hrs

Voltage 120-277V / 347V-480V

PF >0.98

IP65 rated (Whole Fixture), wet location

Warranty

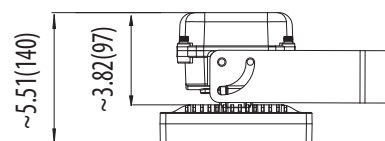
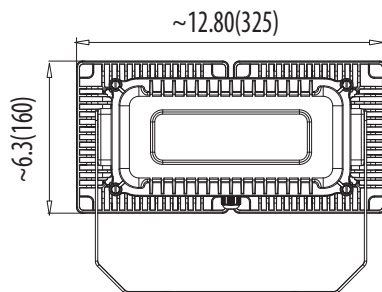
7-year limited warranty in commercial use from the date of purchase

Operating temperature range between -30°C and $+50^{\circ}\text{C}$

Applications

Parks, Shopping Malls, Outlets, Plazas, City Halls, Historical Sites, Parking Lots, Road Lighting

Dimensional drawing



Ordering Information Example: NXL-SFL/60W/5/50/UNV/GLC/WM

Family Name	Fixture Type	Wattage	IES Type	CCT (K)	Voltage (V)	Lens	Bracket Type	Dimmable
NXL (New XL)	SFL (Slim Flood)	100W 80W 60W	5 (Type V)	50 (5000K)	UNV (120-277V) HVV (347-480V)	GLC (Glass, Clear)	WM (Wall Mounting) SFV (Slip Fitter by Vertical) SSF (Square Slip Fitter) HK (Hook) SFL (Slip Fitter in Line)	D (0~10 Dimming)

LED Slim Flood

NXL-SFL

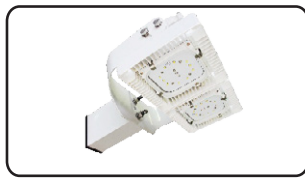
Product Specification

Ordering Code	DLC	Model Number	Wattage (W)	Input Voltage (V)	IP	Lum/W	Initial Lumens (lm)	Hour Rating L70	Hour Rating L90	CCT (K)	CRI	IES Type	Housing Colour	Dimension L×W×H(mm)	Case QTY.
3686106	Y	NXL-SFL/60W/5/50/UNV/GLC/WM	60	120-277	65	148	8,900	50,000	36,000	5000	80	V	Black	325 x 160 x 140	1
3686107	Y	NXL-SFL/80W/5/50/UNV/GLC/WM	80	120-277	65	138	11,060	50,000	36,000	5000	80	V	Black	325 x 160 x 140	1
3686108	Y	NXL-SFL/100W/5/50/UNV/GLC/WM	100	120-277	65	136	13,640	50,000	36,000	5000	80	V	Black	325 x 160 x 140	1
3666214	Y	NXL-SFL/60W/5/50/HVU/GLC/WM	60	347-480	65	148	8,900	50,000	36,000	5000	80	V	Black	325 x 160 x 140	1
3666215	Y	NXL-SFL/80W/5/50/HVU/GLC/WM	80	347-480	65	138	11,060	50,000	36,000	5000	80	V	Black	325 x 160 x 140	1
3686203	Y	NXL-SFL/100W/5/50/HVU/GLC/WM	100	347-480	65	136	13,640	50,000	36,000	5000	80	V	Black	325 x 160 x 140	1

Bracket Type



SFV - Slip Fitter by vertical



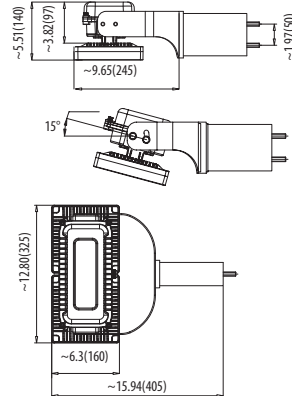
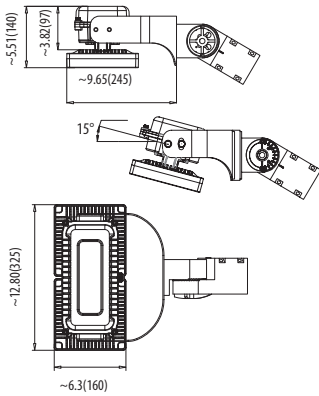
SSF - Square Slip Fitter



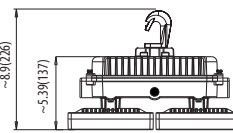
HK - Hook



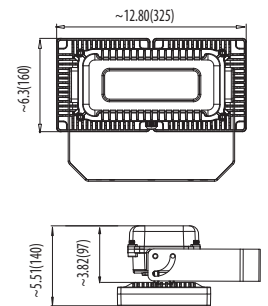
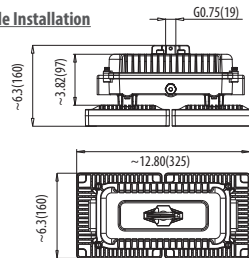
WM - Wall Mounting



Hook installation



Pole Installation





LED FIXTURE

SSL Series

LED Flood SSL-FL1

Outstanding photometric performance, excellent uniform illumination, low profile construction, high efficacy and long lifespan, it's ideal for commercial lighting application.



Features & Benefits

CUL listed, DLC	Optional installation of Slipfitter, Pole Mount and Wall Mount
Protective architectural dark bronze power coating to ensure long lasting performance even in harsh environment	Bi-level motion sensor or photocell optional, factory ordered
Compact and light weighted, ideal for confined spaces	CRI>70, L70 @ 50,000 Hrs, LM80 certified
IES type V for optimized light distribution, type III or IV by special order	Voltage 120-277V/347V/480V, support 0-10V dimmable
	IP66 rated, wet location

Warranty

5-year limited warranty in commercial use from the date of purchase
 Operating temperature range between -40°C and +45°C

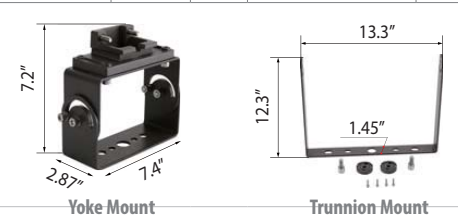
Applications

Parks, Shopping Malls, Outlets, Plazas, City Halls, Historical Sites, Road Lighting



Product Specification

Ordering Code	DLC	Model Number	Mounting	Wattage (W)	Input Voltage (V)	Hour Rating	Optics/ Distribution	Initial Delivered Lumens (lm)	CCT (K)	CRI	Dimension ¹ L×W×H(inch)	Case QTY.
3666107	Y	SSL-FL1/105W/50/UNV/DB/YK/D	Yoke	105	120-277	50,000	Type V	13400	5000K	70	11.25 X 12.4 X 3.07	1
3666212	Y	SSL-FL1/110W/50/HVU/DB/YK/D	Yoke	105	347-480	50,000	Type V	13400	5000K	70	11.25 X 12.4 X 3.07	1
3667104	Y	SSL-FL1/150W/50/UNV/DB/YK/D	Yoke	150	120-277	50,000	Type V	21150	5000K	70	15.8 X 12.99 X 3.15	1
3667205	Y	SSL-FL1/150W/50/HVU/DB/YK/D	Yoke	150	347-480	50,000	Type V	21150	5000K	70	15.8 X 12.99 X 3.15	1
3667105	Y	SSL-FL1/200W/50/UNV/DB/YK/D	Yoke	200	120-277	50,000	Type V	26200	5000K	70	15.8 X 12.99 X 3.15	1
3667206	Y	SSL-FL1/200W/50/HVU/DB/YK/D	Yoke	200	347-480	50,000	Type V	27200	5000K	70	15.8 X 12.99 X 3.15	1
3668102	Y	SSL-FL1/250W/50/UNV/DB/YK/D	Trunnion	250	120-277	50,000	Type V	35250	5000K	70	25.03 X 14.29 X 3.15	1
3668200	Y	SSL-FL1/250W/50/HVU/DB/YK/D	Trunnion	250	347-480	50,000	Type V	33250	5000K	70	25.03 X 14.29 X 3.15	1
3668103	Y	SSL-FL1/300W/50/UNV/DB/YK/D	Trunnion	300	120-277	50,000	Type V	39300	5000K	70	25.03 X 14.29 X 3.15	1
3668201	Y	SSL-FL1/300W/50/HVU/DB/YK/D	Trunnion	300	347-480	50,000	Type V	39000	5000K	70	25.03 X 14.29 X 3.15	1
3660014		SSL-FL/SB/SQ-RD-MTG/DB	RD / SQ Pole Mount									
3660015		SSL-FL/SB/WALL-MTG/DB	Wall Mount									
3660016		SSL-FL/SB/ARM-SSF/DB	90° Wall Mount with 2-3/8" O.D. Tenon									
		SSL-FL/SB/SSF-23/8/DB	Slipfitter Mount fits 2 3/8" O.D. pipe									
		"S"	Bi-Level motion Sensor, factory ordered (non field install)									
		"P"	Photocell									



¹ W/O MTG bracket



LED Flood

SSL-FL1

Ordering Information Example: SSL-FL1/105W/50/UNV/DB/YK/D

Family Name	Fixture Type	Wattage	CCT	Voltage (V)	Body Finish	Mounting	Dimmable	Options**
SSL (Solid State Lighting)	FL1 (Flood)	300W 250W 200W 150W 110W 105W	50 (5000K) 40 (4000K)*	UNV (120-277V) HVV (347-480V)	DB (Dark Bronze)	YK (Yoke 105W/110W/200W) (Trunnion 250W/300W)	D (Dimmable)	SSL-FL/SB/SSF-23/8/DB SSL-FL/SB/SQ-RD-MTG/DB SSL-FL/SB/WALL-MTG/DB SSL-FL/SB/ARM-SSF/DB S (Bi-level motion Sensor) P (Photocell)

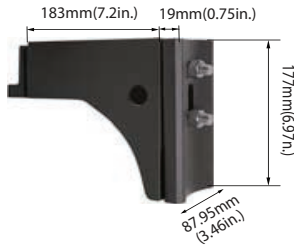
* 4000K available, factory order

** The model number reflects stocked item with yoke or trunnion MTG hardware. Optional MTG hardware available see options.

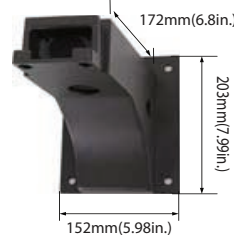
Mounting Options



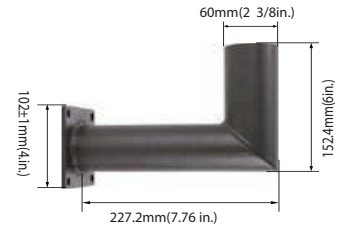
SSL-FL/SB/SSF-23/8/DB



SSL-FL/SB/SQ-RD-MTG/DB



SSL-FL/SB/WALL-MTG/DB



SSL-FL/SB/ARM-SSF/DB

Slipfitter Mount

For pole mounting. Aluminum mast arm adapter secures fixture head to nominal 2" (2-3/8" O.D. pipe size) horizontal steel tenon arm. Furnished with two 1/2" hex head stainless-steel screw.

Round / Square Pole Mount

Standard versatile mounting arm for Area Light application, with K/O to install Photocell or sensor. Furnished with two 5/16" hex head stainless-steel bolts and two 1/2" hex head stainless-steel screw. Suitable for 4" & 5" round or square poles.

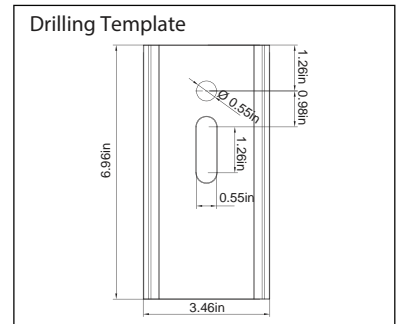
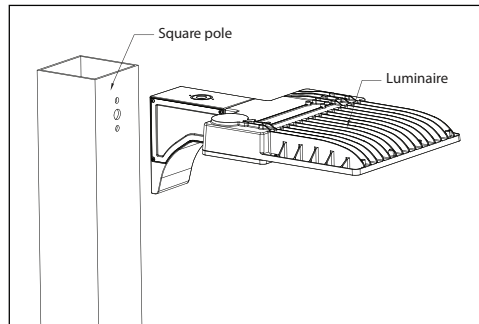
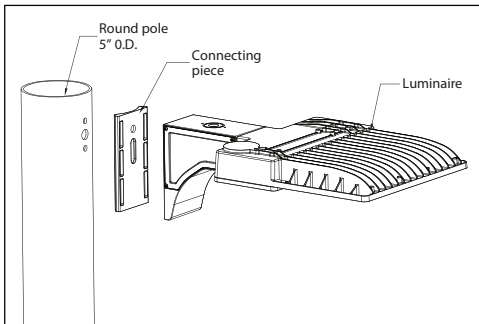
Wall Mount

Wall Mount is easy to install for direct wall mounting with 1/2" conduit wiring or standard J-box mounting, and with K/O to install Photocell or sensor. Furnished with two 5/16" hex head stainless-steel bolts.

90° Wall Mount with 2-3/8" O.D. Tenon

The 90° wall mount bracket with 2-3/8" tenon attaches an floodlight to almost any surface: wall, roof, or wood pole. Provides wiring access and abuilt-in 2-3/8" O.D. tenon to mount a fixture with our adjustable slipfitter. Suggested 3/8" diameter bolts for mounting. Mounting holes are spaced 3-1/4" apart.

Mounting Dimensions





LED FIXTURE

SSL Series

LED Slim Flood SSL-SFL1

The Mini LED floodlights replace 50W, 100W and 150W pulse start metal halide floodlights
Applications include building facades, landscaping, security lighting and walkways.



Knuckle Mounting



Features & Benefits

CUL listed

Available with lumen outputs from 1,500 to 5,400 lumens
Consumes 15W-45W to replace 50W-150W MH light

Rugged Die-cast aluminum housing

UV resistant dark bronze powder body finish

Traditional 1/2" NPS threaded adjustable knuckle mounting
Trunnion and wall mount (only for 30W & 45W) optional

Wet location rated

Voltage 120-277V

CRI≥70, L70 @ 50,000 Hrs

Warranty

5-year limited warranty in commercial use from the date of purchase

Operating temperature range between -40°C and +45°C

Product Specification

Ordering Code	Model Number	Description	Wattage (W)	Input Voltage (V)	Hour Rating	Beam Pattern NEMA	Initial Delivered Lumens (lm)	CCT (K)	CRI	Dimension L×W×H(inch)	Case QTY.
3663100	SSL-SFL1/15W/50/UNV/DB/KNC	15W, 50K, 120-277V, Dark Bronze, Knuckle	15	120-277	50,000	7H×7V	1500	5000K	70	4.72 X 2.95 X 1.27	1
3665113	SSL-SFL1/30W/50/UNV/DB/KNC	30W, 50K, 120-277V, Dark Bronze, Knuckle	30	120-277	50,000	7H×7V	3000	5000K	70	7.08 X 4.42 X 1.61	1
3664122	SSL-SFL1/30W/50/UNV/DB/WM	30W, 50K, 120-277V, Dark Bronze, Wall Mount	30	120-277	50,000	7H×7V	3000	5000K	70	7.08 X 4.42 X 1.61	1
3665114	SSL-SFL1/45W/50/UNV/DB/KNC	45W, 50K, 120-277V, Dark Bronze, Knuckle	45	120-277	50,000	7H×7V	5400	5000K	70	8.26 X 5.16 X 2.45	1

Applications

Building facades, displays, landscaping, security lighting, walkways and other work areas.

Mounting Options

Trunnion Mount



Wall Mount (30W & 45W ONLY) 4 & 5" J-box mounting



Ordering Information Example: SSL-SFL1/15W/50/UNV/DB/KNC

Family Name	Fixture Type	Wattage	CCT	Voltage (V)	Body Finish	Mounting
SSL (Solid State Lighting)	SFL1 (Slim Flood)	15W 30W 45W	50 (5000K)	UNV (120~277V)	DB (Dark Bronze)	KNC (Knuckle) WM (Wall Mount) TR (Trunnion)

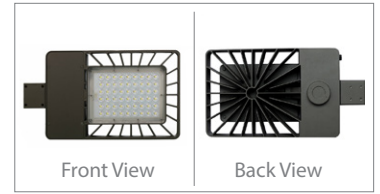


LED FIXTURE

SSL Series

LED Area Light SSL-AL

Outstanding photometric performance, excellent uniform illumination, low profile construction, high efficacy and long lifespan, it's ideal for commercial lighting application.



Features & Benefits

- cELT listed, DLC Premium, LM79 and LM80 certified
- Die-cast aluminum with durable dark bronze finish
- UL Class II LED driver, 0-10V dimming
PF>0.98, efficacy 125~130 LPW
- IES Type V and Type III for optimized light distribution
(Type III lens and Type V lens)
- Optional installation of **Slipfitter**, **Yoke** and **Pole Mount**, mounting ordered separately

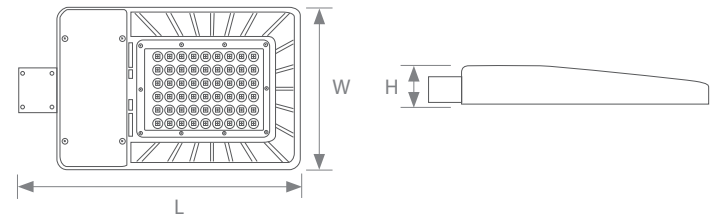
- Motion sensor, microwave 120-277V and photocell, factory ordered
- 5000K and 4000K available
- CRI>70, L70 @ 50,000 Hrs
- Voltage 120-277V/200-480V
- IP65 rated, wet location

Warranty

- 5-year limited warranty in commercial use from the date of purchase
- Operating temperature range between -20°C and +50°C

Applications

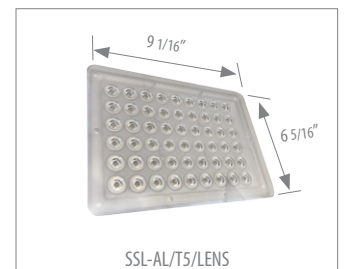
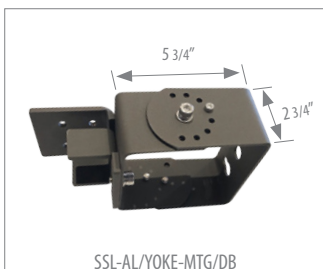
Parks, Shopping Malls, Outlets, Plazas, City Halls, Historical Sites, Road Lighting



Ordering Information Example: SSL-AL/T3/150W/50/HVU/DB/D

Family Name	Fixture Type	Light Distribution Type	Wattage	CCT	Voltage (V)	Body Finish	Dimmable	Options
SSL (Solid State Lighting)	AL (Area Lighter)	T3 (Type III)*	70W 100W 150W 200W 240W 300W	40 (4000K) 50 (5000K)	UNV (120-277V) HVU (200-480V)	DB (Dark Bronze)	D (Dimmable)	SSL-AL/ARM-SSF/DB SSL-AL/YOKE-MTG/DB SSL-AL/SQ-RD-MTG/DB SSL-AL/T5/LENS SSL-AL/PLATE/M SSL-AL/PLATE/L SSL-AL/WP/WC SSL-AL/HS/M SSL-AL/HS/L

* Type III is default, you can order the optional lens separately for Type V (T5).





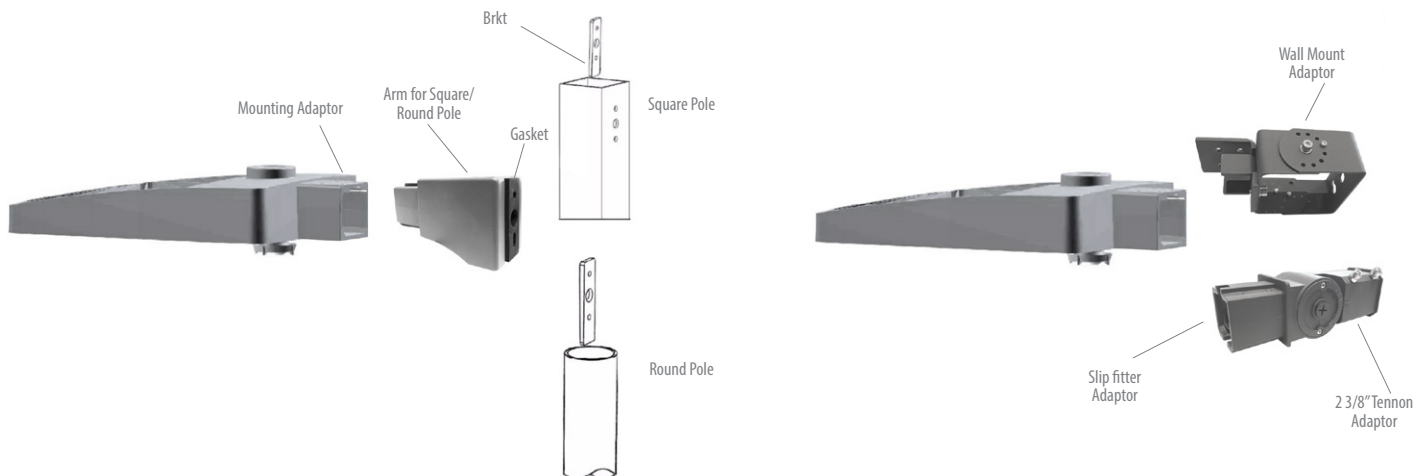
LED Area Light

SSL-AL

Product Specification

Ordering Code	DLC Premium	Model Number	Wattage (W)	Input Voltage (V)	Hour Rating	Optics/ Distribution	Initial Delivered Lumens (lm)	CCT (K)	CRI	Dimension L×W×H(inch)	Case QTY.
3666133	Y	SSL-AL/T3/70W/40/UNV/DB/D	70	120-277	50,000	Type III	10,000	4000	70	18.5 X 10.5 X 3.54	1
3666134	Y	SSL-AL/T3/70W/50/UNV/DB/D	70	120-277	50,000	Type III	10,000	5000	70	18.5 X 10.5 X 3.54	1
3666235	Y	SSL-AL/T3/100W/40/HVU/DB/D	100	200-480	50,000	Type III	14,500	4000	70	18.5 X 10.5 X 3.54	1
3666135	Y	SSL-AL/T3/100W/40/UNV/DB/D	100	120-277	50,000	Type III	14,500	4000	70	18.5 X 10.5 X 3.54	1
3666236	Y	SSL-AL/T3/100W/50/HVU/DB/D	100	200-480	50,000	Type III	14,500	5000	70	18.5 X 10.5 X 3.54	1
3666136	Y	SSL-AL/T3/100W/50/UNV/DB/D	100	120-277	50,000	Type III	14,500	5000	70	18.5 X 10.5 X 3.54	1
3667223	Y	SSL-AL/T3/150W/40/HVU/DB/D	150	200-480	50,000	Type III	21000	4000	70	18.5 X 10.5 X 3.54	1
3667121	Y	SSL-AL/T3/150W/40/UNV/DB/D	150	120-277	50,000	Type III	21000	4000	70	18.5 X 10.5 X 3.54	1
3667224	Y	SSL-AL/T3/150W/50/HVU/DB/D	150	200-480	50,000	Type III	21,000	5000	70	18.5 X 10.5 X 3.54	1
3667122	Y	SSL-AL/T3/150W/50/UNV/DB/D	150	120-277	50,000	Type III	21,000	5000	70	18.5 X 10.5 X 3.54	1
3667225	Y	SSL-AL/T3/200W/40/HVU/DB/D	200	200-480	50,000	Type III	28,800	4000	70	21.5 X 16.9 X 3.54	1
3667123	Y	SSL-AL/T3/200W/40/UNV/DB/D	200	120-277	50,000	Type III	28,800	4000	70	21.5 X 16.9 X 3.54	1
3667226	Y	SSL-AL/T3/200W/50/HVU/DB/D	200	200-480	50,000	Type III	28,800	5000	70	21.5 X 16.9 X 3.54	1
3667124	Y	SSL-AL/T3/200W/50/UNV/DB/D	200	120-277	50,000	Type III	28,800	5000	70	21.5 X 16.9 X 3.54	1
3667227	Y	SSL-AL/T3/240W/40/HVU/DB/D	240	200-480	50,000	Type III	34,800	4000	70	21.5 X 16.9 X 3.54	1
3667125	Y	SSL-AL/T3/240W/40/UNV/DB/D	240	120-277	50,000	Type III	34,800	4000	70	21.5 X 16.9 X 3.54	1
3667228	Y	SSL-AL/T3/240W/50/HVU/DB/D	240	200-480	50,000	Type III	34,800	5000	70	21.5 X 16.9 X 3.54	1
3667126	Y	SSL-AL/T3/240W/50/UNV/DB/D	240	120-277	50,000	Type III	34,800	5000	70	21.5 X 16.9 X 3.54	1
3668206	Y	SSL-AL/T3/300W/40/HVU/DB/D	300	200-480	50,000	Type III	44,000	4000	70	21.5 X 16.9 X 3.54	1
3668106	Y	SSL-AL/T3/300W/40/UNV/DB/D	300	120-277	50,000	Type III	44,000	4000	70	21.5 X 16.9 X 3.54	1
3668207	Y	SSL-AL/T3/300W/50/HVU/DB/D	300	200-480	50,000	Type III	44,000	5000	70	21.5 X 16.9 X 3.54	1
3668107	Y	SSL-AL/T3/300W/50/UNV/DB/D	300	120-277	50,000	Type III	44,000	5000	70	21.5 X 16.9 X 3.54	1
3660078		SSL-AL/ARM-SSF/DB	Male Adjustable Slip Fitter for Area Light , 3x18AWG SJTW Cable Installed , Dark Bronze								
3660079		SSL-AL/YOKE-MTG/DB	Male Adjustable Trunnion Mounting for Area Light , Dark Bronze								
3660080		SSL-AL/SQ-RD-MTG/DB	Universal Male Straight Arm for Square/Round Pole , Dark Bronze								
3660081		SSL-AL/T5/LENS	SSL-AL Type V Lens								
3660082		SSL-AL/PLATE/M	SSL-AL Drilled Driver Compartment Cover for Motion Sensor 70/100/150W, Dark Bronze								
3660083		SSL-AL/PLATE/L	SSL-AL Drilled Driver Compartment Cover for Motion Sensor 200/240/300W, Dark Bronze								
3660084		SSL-AL/WP/WC	SSL-AL Wire to Wire Connector IP68, 450VAC, GA, AWG 20-14 Black								
3660085		SSL-AL/HS/M	House Shield for SSL-AL 70/100/160W , Dark Bronze								
3660086		SSL-AL/HS/L	House Shield for SSL-AL 200/240/300W , Dark Bronze								

Mounting Options





LED FIXTURE

NXL Series

LED Shoe Box NXL-SB

LED Parking lot lighting (Shoe Box) with vertical 'chimney' thermal design



Slip Fitter by Vertical



Square Slip Fitter



Features & Benefits

- CUL listed, DLC
- System light efficacy ≥ 110 Lumens per watt
- Black / White powder coated finish die cast aluminum housing prevents corrosion
- Long life advanced thermal dynamics and heat dissipation
- Rugged construction for high vibration
- Wide range of mounting alternatives available

- Clear/ Diffused lens optional
- Optional 0-10V dimming function
- CRI ≥ 80 , L70@ 100,000 hrs
- Voltage 120-277V
- PF > 0.98
- IP65 rated (Whole Fixture), Wet location

Warranty

7-year limited warranty in commercial use from the date of purchase
Operating temperature range between -30°C and +50°C

Applications

Parking lot, Plaza, Shopping Mall, Tennis Court and etc.

Product Specification

Ordering Code	DLC	Model Number	Wattage (W)	Input Voltage (V)	IP	Lum/W	Initial Lumens (lm)	Hour Rating L70	Hour Rating L90	CCT (K)	CRI	IES Type	Housing Colour	Dimension LxWxH(mm)	Case QTY.
3687107	Y	NXL-SB/120W/3/50/UNV/PCF/SFV	120	120-277	65	110	13,200	50,000	36,000	5000	80	III	Black	490 x 160 x 140	1
3687108	Y	NXL-SB/150W/3/50/UNV/PCF/SFV	150	120-277	65	110	16,500	50,000	36,000	5000	80	III	Black	490 x 160 x 140	1
3687109	Y	NXL-SB/180W/3/50/UNV/PCF/SFV	180	120-277	65	110	19,800	50,000	36,000	5000	80	III	Black	490 x 330 x 140	1
3687110	Y	NXL-SB/240W/3/50/UNV/PCF/SFV	240	120-277	65	110	26,400	50,000	36,000	5000	80	III	Black	490 x 330 x 140	1
3688103	Y	NXL-SB/300W/3/50/UNV/PCF/SFV	300	120-277	65	110	33,000	50,000	36,000	5000	80	III	Black	490 x 330 x 140	1

Dimensional drawing



Ordering Information

Example: NXL-SB/120W/3/50/UNV/PCF/SFV

Family Name	Fixture Type	Wattage	IES Type	CCT	Voltage (V)	Lens	Bracket Type	Dimmable
NXL (New XL)	SB (Shoe Box)	300W, 240W 180W, 150W 120W	3 (Type III)	50 (5000K)	UNV (120~277V)	PCF (PC Lens Frosted)	SFV (Slip Fitter by Vertical) SSF (Square Slip Fitter)	D (0~10 Dimming)



LED FIXTURE

SSL Series

LED Shoe Box SSL-SB1

Outstanding photometric performance, excellent uniform illumination, low profile construction, high efficacy and long lifespan, it's ideal for commercial lighting application.



Features & Benefits

CUL listed, DLC

Protective architectural dark bronze power coating to ensure long lasting performance even in harsh environment

Compact and light weighted, ideal for confined spaces

IES type III for optimized light distribution, type IV or V by special order

Optional installation of Pole Mount and Wall Mount

Bi-level motion sensor or photocell optional, factory ordered

CRI>70, L70 @ 50,000 Hrs, LM80 certified

Voltage 120-277V/347V/480V, support 0-10V dimmable

IP66 rated, wet location

Warranty

5-year limited warranty in commercial use from the date of purchase

Operating temperature range between -40°C and +45°C

Applications

Parks, Shopping Malls, Outlets, Plazas, City Halls, Historical Sites, Road Lighting



Product Specification

Ordering Code	DLC	Model Number	Mounting	Wattage (W)	Input Voltage (V)	Hour Rating	Optics/ Distribution	Initial Delivered Lumens (lm)	CCT (K)	CRI	Dimension ¹ L×W×H(inch)	Case QTY.
3667106	Y	SSL-SB1/105W/50/UNV/DB/SSF/D	Square Slipfitter	105	120-277	50,000	Type III	13400	5000K	70	11.26 X 12.4 X 3.07	1
3667207	Y	SSL-SB1/110W/50/HVU/DB/SSF/D	Square Slipfitter	105	347-480	50,000	Type III	13000	5000K	70	11.26 X 12.4 X 3.07	1
3667107	Y	SSL-SB1/150W/50/UNV/DB/SSF/D	Square Slipfitter	150	120-277	50,000	Type III	19700	5000K	70	15.79 X 12.99 X 3.15	1
3667208	Y	SSL-SB1/150W/50/HVU/DB/SSF/D	Square Slipfitter	150	347-480	50,000	Type III	19700	5000K	70	15.79 X 12.99 X 3.15	1
3667108	Y	SSL-SB1/200W/50/UNV/DB/SSF/D	Square Slipfitter	200	120-277	50,000	Type III	26200	5000K	70	15.79 X 12.99 X 3.15	1
3667209	Y	SSL-SB1/200W/50/HVU/DB/SSF/D	Square Slipfitter	200	347-480	50,000	Type III	26000	5000K	70	15.79 X 12.99 X 3.15	1
3668100	Y	SSL-SB1/250W/50/UNV/DB/SSF/D	Square Slipfitter	250	120-277	50,000	Type III	33250	5000K	70	25.04 X 13.39 X 3.15	1
3668202	Y	SSL-SB1/250W/50/HVU/DB/SSF/D	Square Slipfitter	250	347-480	50,000	Type III	33250	5000K	70	25.04 X 13.39 X 3.15	1
3668101	Y	SSL-SB1/300W/50/UNV/DB/SSF/D	Square Slipfitter	300	120-277	50,000	Type III	39300	5000K	70	25.04 X 13.39 X 3.15	1
3668203	Y	SSL-SB1/300W/50/HVU/DB/SSF/D	Square Slipfitter	300	347-480	50,000	Type III	39000	5000K	70	25.04 X 13.39 X 3.15	1
3660014		SSL-FL/SB/SQ-RD-MTG/DB	RD/ SQ Pole Mount									
3660015		SSL-FL/SB/WALL-MTG/DB	Wall Mount									
3660016		SSL-FL/SB/ARM-SSF/DB	90° Wall Mount with 2-3/8" O.D. Tenon									
		"S"	Bi-Level motion Sensor, factory ordered (non field install)									
		"P"	Photocell									

¹ W/O Slipfitter



LED Shoe Box

SSL-SB1

Ordering Information Example: SSL-SB1/105W/50/UNV/DB/SSF/D

Family Name	Fixture Type	Wattage	CCT	Voltage (V)	Body Finish	Mounting	Dimmable	Options**
SSL (Solid State Lighting)	SB1 (Shoe Box)	300W 250W 200W 150W 110W 105W	50 (5000K) 40 (4000K)*	UNV (120-277V) HVV (347-480V)	DB (Dark Bronze)	SSF (Square Slipfitter)	D (Dimmable)	SSL-FL/SB/SQ-RD-MTG/DB SSL-FL/SB/WALL-MTG/DB SSL-FL/SB/ARM-SSF/DB S (Bi-level motion Sensor) P (Photocell)

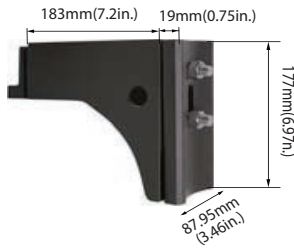
*4000K available, factory order

**The model number reflects stocked item with slipfitter MTG hardware. Optional MTG hardware available see options.

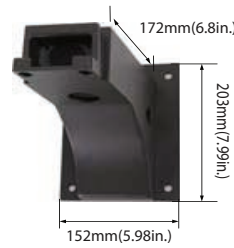
Mounting Options



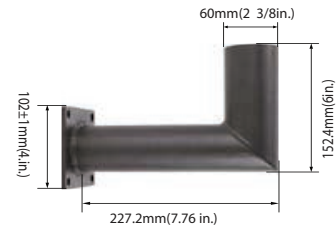
SSL-FL/SB/SSF-23/8/DB



SSL-FL/SB/SQ-RD-MTG/DB



SSL-FL/SB/WALL-MTG/DB



SSL-FL/SB/ARM-SSF/DB

Slipfitter Mount

For pole mounting. Aluminum mast arm adapter secures fixture head to nominal 2" (2-3/8" O.D. pipe size) horizontal steel tenon arm. Furnished with two 1/2" hex head stainless-steel screw.

Round / Square Pole Mount

Standard versatile mounting arm for Area Light application, with K/O to install Photocell or sensor. Furnished with two 5/16" hex head stainless-steel bolts and two 1/2" hex head stainless-steel screw. Suitable for 4" & 5" round or square poles.

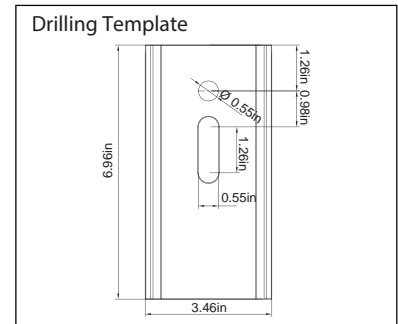
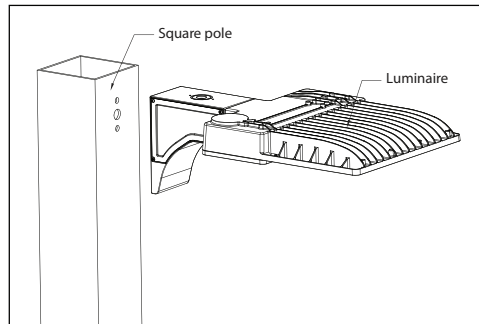
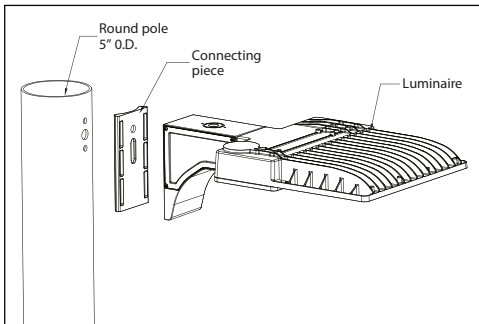
Wall Mount

Wall Mount is easy to install for direct wall mounting with 1/2" conduit wiring or standard J-box mounting, and with K/O to install Photocell or sensor. Furnished with two 5/16" hex head stainless-steel bolts.

90° Wall Mount with 2-3/8" O.D. Tenon

The 90° wall mount bracket with 2-3/8" tenon attaches an floodlight to almost any surface: wall, roof, or wood pole. Provides wiring access and built-in 2-3/8" O.D. tenon to mount a fixture with our adjustable slipfitter. Suggested 3/8" diameter bolts for mounting. Mounting holes are spaced 3-1/4" apart.

Mounting Dimensions





LED FIXTURE

SSL Series



LED Wall Pack

SSL-WP1S

Enhanced LED performance in a classic design, offers efficiently deliver lumens, and consume less energy than traditional wall pack technologies.



Features & Benefits

CUL listed, DLC qualified

Available with lumen outputs from 3,600 to 7,900

LM-80 certified high performance and reliable lumileds LEDs

Die-cast aluminum with durable dark bronze finish

Wet location rated

Junction box or wall mounted directly

CRI≥70, L70 @ 50,000 Hrs

Voltage 120-277V/347V-480V

Photocell Sensor optional

Polycarbonate lens with UV stabilizers

Warranty


5-year limited warranty in commercial use from the date of purchase

Operating temperature range between -40°C and +40°C

Applications

Security, pathway and perimeter lighting, Building entryways and walkways

Product Specification

Ordering Code	DLC*	Model Number	Description	Wattage (W)	Input Voltage (V)	Hour Rating	Optics/ Distribution	Initial Delivered Lumens (lm)	CCT (K)	CRI	Dimension L×W×H(inch)	Case QTY.
3664127	Y/P	SSL-WP1S/30W/50/UNV/DB	30W, 50K, 100-277V, Dark Bronze	30	120-277V	50,000	H110° × V100°	3600	5000K	70	14.21 x 7.2 x 9.25	1
3665141	Y/P	SSL-WP1S/40W/50/UNV/DB	40W, 50K, 100-277V, Dark Bronze	40	120-277V	50,000	H110° × V100°	5100	5000K	70	14.21 x 7.2 x 9.25	1
3665229	Y/P	SSL-WP1S/40W/50/HVU/DB	40W, 50K, 347-480V, Dark Bronze	40	347-480V	50,000	H110° × V100°	5100	5000K	70	14.21 x 7.2 x 9.25	1
3666127	Y	SSL-WP1S/65W/50/UNV/DB	65W, 50K, 100-277V, Dark Bronze	65	120-277V	50,000	H110° × V100°	7900	5000K	70	14.21 x 7.2 x 9.25	1
3666232	Y	SSL-WP1S/65W/50/HVU/DB	65W, 50K, 347-480V, Dark Bronze	65	347-480V	50,000	H110° × V100°	7900	5000K	70	14.21 x 7.2 x 9.25	1
3660000		LC-105	Photocell Sensor, for Wall Pack 120V application only				 <p>Photocell</p>					

* DLC Premium (Y/P)



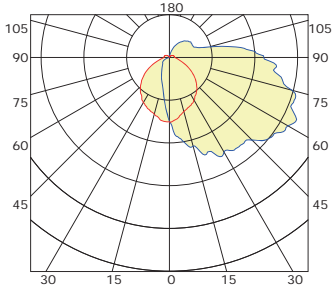
LED Wall Pack

SSL-WP1S

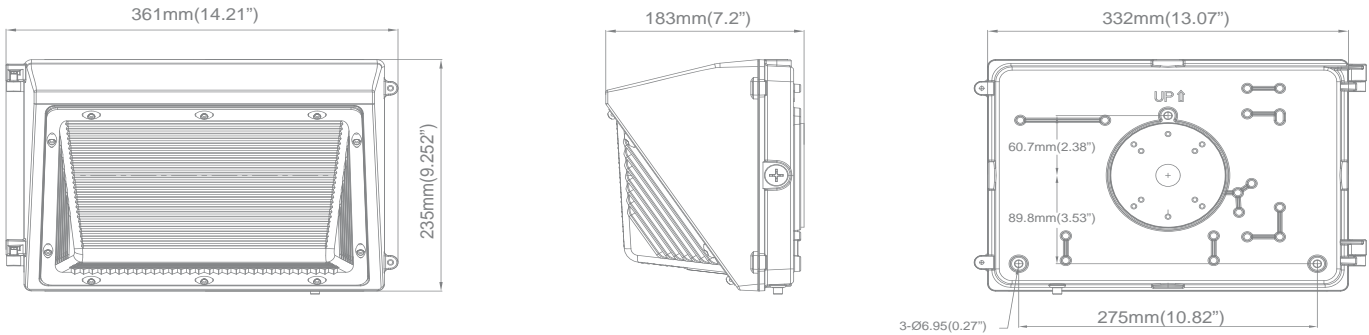
Ordering Information Example: SSL-WP1S/30W/50/UNV/DB

Family Name	Fixture Type	Wattage	CCT	Voltage (V)	Body Finish	Mounting	Options
SSL (Solid State Lighting)	WP1S(Wall Pack)	30W 40W 65W	50 (5000K)	UNV (120-277V) HVU (347-480V)	DB (Dark Bronze)	Wall	Photocell Sensor

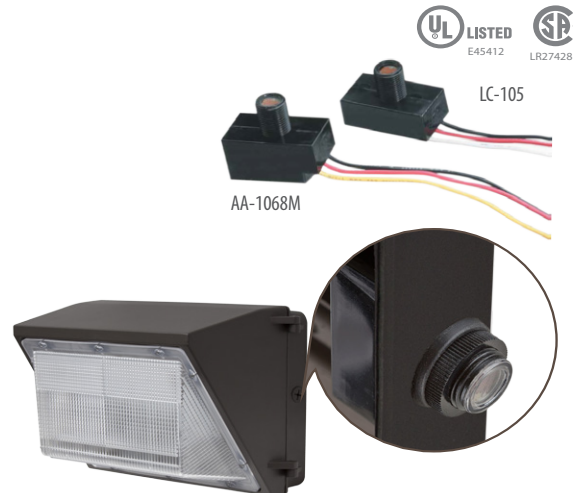
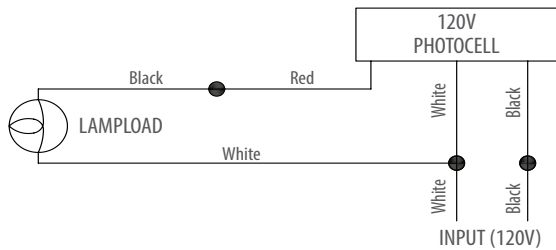
Photometrics



Dimensional Drawing



Wiring Instruction (With Photocell)





LED FIXTURE

SSL Series



90W~140W



30W~70W

LED Wall Pack SSL-WP1

Enhanced LED performance in a classic design, offers efficiently deliver lumens, and consume less energy than traditional wall pack MH technologies.



Features & Benefits

CUL listed, DLC	Junction box or wall mounted directly
Available with lumen outputs from 3,400 to 16,400 lumens	CRI≥70, L70 @ 50,000 Hrs
LM-80 certified high performance and reliable lumileds LEDs	Voltage 120-277V/347V
Die-cast aluminum with durable dark bronze coat finish	Photocell Sensor optional
Wet location rated	Wall Pack Reflector optional

Warranty

5-year limited warranty in commercial use from the date of purchase
Operating temperature range between -40°C and +40°C

Applications

Security, pathway and perimeter lighting, Building entryways and walkways

Product Specification

Ordering Code	DLC	Model Number	Description	Wattage (W)	Input Voltage (V)	Hour Rating	Optics/ Distribution	Initial Delivered Lumens (lm)	CCT (K)	CRI	Dimension L×W×H(inch)	Case QTY.
3664110	Y	SSL-WP1/30W/50/UNV/DB	30W Wall Pack, 50K, 100-277V, Dark Bronze	30	100-277	50,000	H110° × V100°	3400	5000K	70	14.21 x 7.40 x 9.25	1
3665108	Y	SSL-WP1/45W/50/UNV/DB	45W Wall Pack, 50K, 100-277V, Dark Bronze	45	100-277	50,000	H110° × V100°	5300	5000K	70	14.21 x 7.40 x 9.25	1
3665202	Y	SSL-WP1/40W/50/347/DB	40W Wall Pack 50K, 347V, Dark Bronze	40	347	50,000	H110° × V100°	4700	5000K	70	14.21 x 7.40 x 9.25	1
3666104	Y	SSL-WP1/70W/50/UNV/DB	70W Wall Pack, 50K, 100-277V, Dark Bronze	70	100-277	50,000	H110° × V100°	8100	5000K	70	14.21 x 7.40 x 9.25	1
3666203	Y	SSL-WP1/60W/50/347/DB	60W Wall Pack, 50K, 347V, Dark Bronze	60	347	50,000	H110° × V100°	7000	5000K	70	14.21 x 7.40 x 9.25	1
3666105	Y	SSL-WP1/90W/50/UNV/DB	90W Wall Pack, 50K, 120-277V, Dark Bronze	90	120-277	50,000	H110° x V90°	11200	5000K	70	18 x 8.75 x 9.75	1
3666210	-	SSL-WP1/95W/50/347/DB	95W Wall Pack, 50K, 347V, Dark Bronze	95	347	50,000	H110° x V90°	8500	5000K	70	18 x 8.75 x 9.75	1
3667102	Y	SSL-WP1/135W/50/UNV/DB	135W Wall Pack, 50K, 120-277V, Dark Bronze	135	120-277	50,000	H110° x V90°	16400	5000K	70	18 x 8.75 x 9.75	1
3667212	Y	SSL-WP1/140W/50/347/DB	140W Wall Pack, 50K, 347V, Dark Bronze	140	347	50,000	H110° x V90°	14450	5000K	70	19 x 8.75 x 9.75	1
3660001		SSL-WP/R/M	LED Wall Pack Reflector Medium 30W-70W									
3660002		SSL-WP/R/L	SSL LED Wall Pack Reflector Large 90W-140W									
3660003		SSL-WPCP/45W/PS	45W Power Supply for Wall Pack & Canopy Light									
3660004		SSL-WPCP/70W/PS	70W Power Supply for Wall Pack & Canopy Light									
3660005		SSL-WP/50W/75W/347/TS SSL-WP/145W/347/TS	347V Transformer Set for 40W & 60W Wall Pack 347V Transformer Set for 95W & 140W Wall Pack									
3660000		LC-105	Photocell Sensor, for Wall Pack 120V application only									
		AA-1068M, JL-403C	Photocell Sensor, for Wall Pack 277V & 347V application only ¹									

¹ Only applicable with 347V to 277V stepdown transformer; JL-403C for UNV & 347V application.



LED Wall Pack

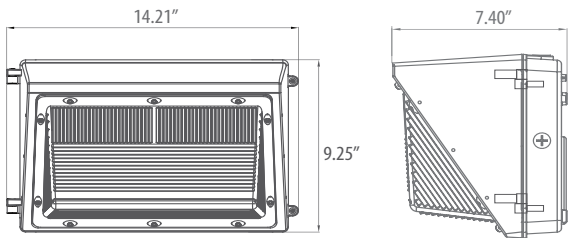
SSL-WP1

Ordering Information Example: SSL-WP1/30W/50/UNV/DB

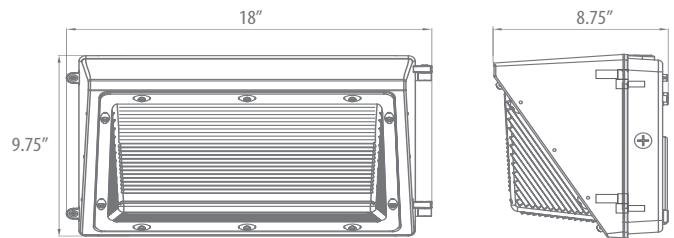
Family Name	Fixture Type	Wattage	CCT	Voltage (V)	Body Finish	Mounting	Options
SSL (Solid State Lighting)	WP1 (Wall Pack)	30W 45W, 40W 70W, 60W 95W, 90W 140W, 135W	50 (5000K)	UNV (120-277V) 347V	DB (Dark Bronze)	Wall	Wall Pack Reflector Photocell Sensor

Dimensional Drawing

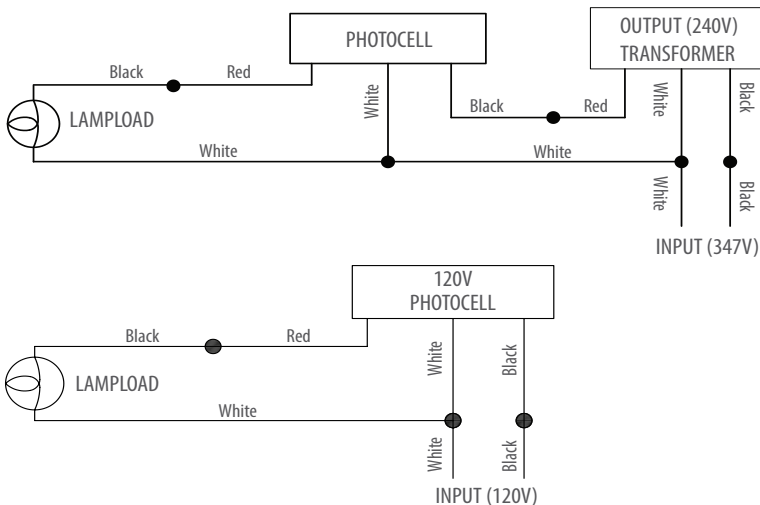
30W~70W OUTPUT



90W~140W OUTPUT



Wiring Instruction (With Photocell)





LED FIXTURE

SSL Series



Head tilts to 20 degree

Full Cutoff LED Slim Wall Pack SSL-WP2

Enhanced LED performance in a classic design, offers maximum light output for general purpose area and security lighting, efficiently deliver lumens, and consume less energy than traditional wall mount technologies.



Features & Benefits

CUL listed, DLC	Type III light distribution is available
Available with lumen outputs from 3,000 to 10,500 lumens	Junction box or wall mounted directly
LM-80 certified high performance and reliable lumileds LEDs	CRI≥70, L70 @ 50,000 Hrs
Die-cast aluminum housing with dark bronze coat finish, head can be tilted design	Voltage 120-277V, 120V photocell sensor installed
Wet location rated	

Warranty

5-year limited warranty in commercial use from the date of purchase
 Operating temperature range between -40°C and +40°C

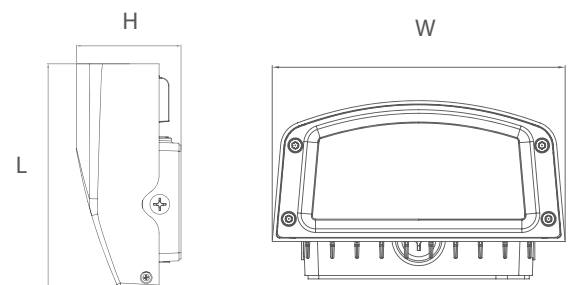
Product Specification

Ordering Code	DLC	Model Number	Description	Wattage (W)	Input Voltage (V)	Hour Rating	Optics/ Distribution	Initial Delivered Lumens (lm)	CCT (K)	CRI	Dimension L×W×H(inch)	Case QTY.
3664107	Y	SSL-WP2/30W/50/UNV/DB/PS1	30W LED Slim Wall Pack, 50K, 120V, Dark Bronze with photocell sensor	30	120	50,000	TYPE III	3000	5000K	70	8.96 x 6.77 x 4.13	6
3665115	Y	SSL-WP2/40W/50/UNV/DB/PS1	40W LED Slim Wall Pack, 50K, 120V, Dark Bronze with photocell sensor	40	120	50,000	TYPE III	4500	5000K	70	8.96 x 6.77 x 4.13	6
3666112	Y	SSL-WP2/70W/50/UNV/DB/PS1	70W LED Slim Wall Pack, 50K, 120V, Dark Bronze with photocell sensor	70	120	50,000	TYPE III	7800	5000K	70	12.99 x 10.16 x 5.17	1
3666113	Y	SSL-WP2/90W/50/UNV/DB/PS1	90W LED Slim Wall Pack, 50K, 120V, Dark Bronze with photocell sensor	90	120	50,000	TYPE III	10500	5000K	70	12.99 x 10.16 x 5.17	1

Applications

Security, pathway and perimeter lighting Building entryways and walkways

Dimensional drawing



Ordering Information Example: SSL-WP2/30W/50/UNV/DB/PS1

Family Name	Fixture Type	Wattage	CCT	Voltage (V)	Body Finish	Options
SSL (Solid State Lighting)	WP2 (Full Cutoff Slim Wall Pack)	90W, 70W 40W, 30W	50 (5000K)	UNV (120-277V)	DB (Dark Bronze)	PS1 (Photocell Sensor)



LED FIXTURE

SSL Series



90W~145W



45W~75W

Full Cutoff LED Wall Pack

SSL-WP3

Enhanced LED performance in a classic design, offer maximum light output for general purpose area and security lighting.



Features & Benefits

CUL listed, DLC

Available with lumen outputs from 3,400 to 16,400 lumens

LM-80 certified high performance and reliable lumileds LEDS

Die-cast aluminum with durable dark bronze coat finish

Wet location rated

Junction box or wall mounted directly

CRI≥82, L70 @ 50,000 Hrs

Voltage 120-277V/347V

Photocell Sensor optional

Warranty


5-year limited warranty in commercial use from the date of purchase

Operating temperature range between -40°C and +50°C

Applications

Security, pathway and perimeter lighting, Building entryways and walkways

Product Specification

Ordering Code	DLC	Model Number	Description	Wattage (W)	Input Voltage (V)	Hour Rating	Optics/ Distribution	Initial Delivered Lumens (lm)	CCT (K)	CRI	Dimension L×W×H(inch)	Case QTY.
3665110	Y	SSL-WP3/45W/50/UNV/DB	45W Full Cut Off, 50K, 120-277V, Dark Bronze	45	120-277	50,000	TYPE III	4900	5000K	82	14.21 x 8.78 x 9.25	1
3665203	Y	SSL-WP3/50W/50/347/DB	50W Full Cut Off, 50K, 347V, Dark Bronze	50	347	50,000	TYPE III	5000	5000K	82	14.21 x 8.78 x 9.25	1
3666108	Y	SSL-WP3/70W/50/UNV/DB	70W Full Cut Off, 50K, 120-277V, Dark Bronze	70	120-277	50,000	TYPE III	7350	5000K	82	14.21 x 8.78 x 9.25	1
3666205	Y	SSL-WP3/75W/50/347/DB	75W Full Cut Off, 50K, 347V, Dark Bronze	75	347	50,000	TYPE III	7500	5000K	82	14.21 x 8.78 x 9.25	1
3666109	Y	SSL-WP3/90W/50/UNV/DB	90W Full Cut Off, 50K, 120-277V, Dark Bronze	90	120-277	50,000	TYPE III	9500	5000K	82	18.1 x 10.8 x 9.75	1
3666211	-	SSL-WP3/95W/50/347/DB	95W Full Cut Off, 50K, 347V, Dark Bronze	95	347	50,000	TYPE III	9500	5000K	82	18.1 x 10.8 x 9.75	1
3667103	Y	SSL-WP3/135W/50/UNV/DB	135W Full Cut Off, 50K, 120-277V, Dark Bronze	135	120-277	50,000	TYPE III	14000	5000K	82	18.1 x 10.8 x 9.75	1
3667204	-	SSL-WP3/145W/50/347/DB	145W Full Cut Off, 50K, 347V, Dark Bronze	145	347	50,000	TYPE III	14000	5000K	82	18.1 x 10.8 x 9.75	1
3660000		LC-105	Photocell Sensor, for Wall Pack 120V application only						Photocell			
		AA-1068M	Photocell Sensor, for Wall Pack 277V & 347V application only ¹									
		JL-403C	Photocell Sensor, for Wall Pack UNV & 347V application only ¹									

¹ Only applicable with 347V to 277V stepdown transformer



Full Cutoff LED Wall Pack

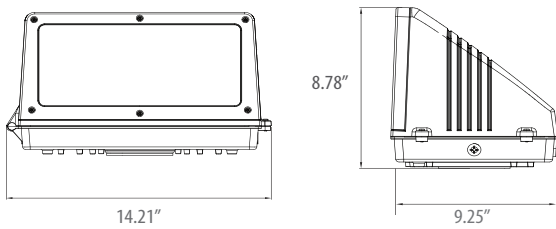
SSL-WP3

Ordering Information Example: SSL-WP3/45W/50/UNV/DB

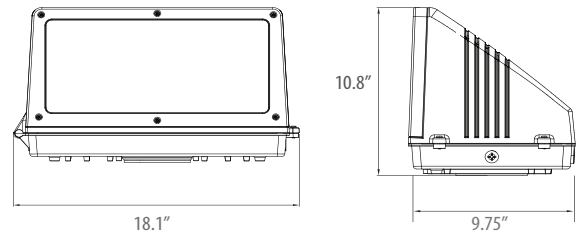
Family Name	Fixture Type	Wattage	CCT	Voltage (V)	Body Finish	Mounting	Options
SSL (Solid State Lighting)	WP3 (Full Cutoff Wall Pack)	50W, 45W 75W, 70W 95W, 90W 145W, 135W	50 (5000K)	UNV (120-277V) 347V	DB (Dark Bronze)	Wall	Photocell Sensor

Dimensional Drawing

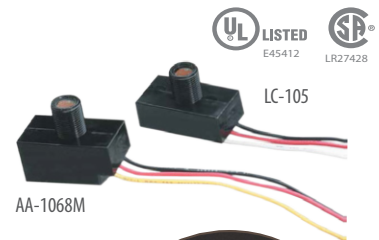
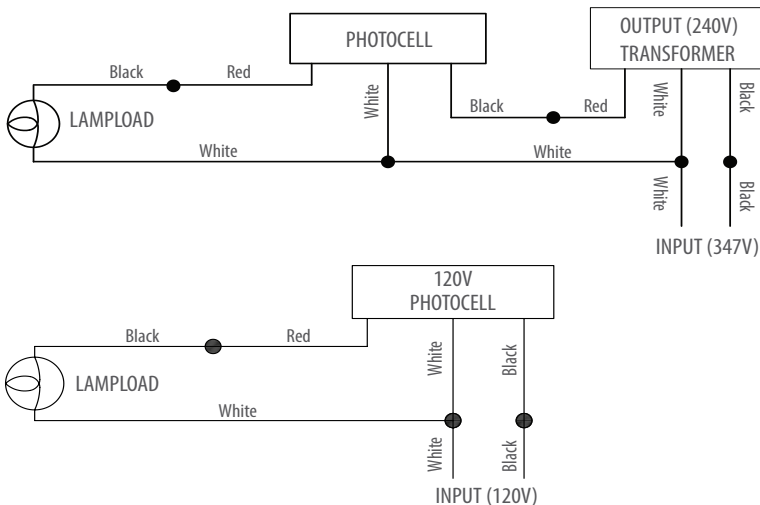
45W~75W OUTPUT



90W~145W OUTPUT



Wiring Instruction (With Photocell)





LED FIXTURE

SSL Series

LED Outdoor Commercial Entry Light SSL-DW1

Enhanced LED performance in a classic design, offers maximum light output for general purpose area and security lighting, efficiently deliver lumens, and consume less energy than traditional wall mount technologies.



Lens Clear

Lens Frost



Features & Benefits

CUL listed, DLC

Available with lumen outputs from 1600 to 2700 lumens

LM-80 certified high performance and reliable lumileds LEDs

Die-cast aluminum with durable dark bronze body finish

Wet location rated

Junction box or wall mounted directly

CRI≥70*, L70 @ 50,000 Hrs

PC Lens clear or frost optional

* For details, see product specification below

Warranty

5-year limited warranty in commercial use from the date of purchase

Operating temperature range between -40°C and +40°C

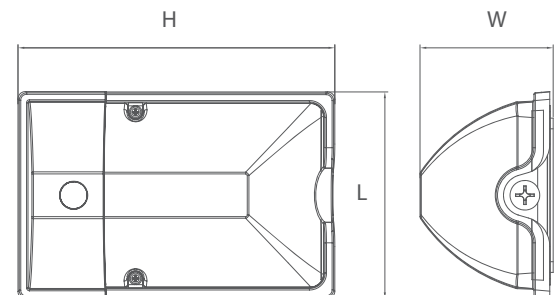
Product Specification

Ordering Code	DLC	Model Number	Description	Wattage (W)	Input Voltage (V)	Hour Rating	Optics/ Distribution	Initial Delivered Lumens (lm)	CCT (K)	CRI	Dimension L×W×H(inch)	Case QTY.
3662105	Y	SSL-DW1/15W/50/120/F/DB	LED 15W, 50K, 120V, PC Lens Frost, Dark Bronze	15	120	50,000	H105° x V90°	1600	5000K	82	5.48 x 3.52 x 8.38	12
3663109	Y	SSL-DW1/17W/50/120/F/DB	LED 17W, 50K, 120V, PC Lens Frost, Dark Bronze	17	120	50,000	H90° x V110°	2000	5000K	70	5.48 x 3.52 x 8.38	12
3664102	Y	SSL-DW1/25W/50/120/F/DB	LED 25W, 50K, 120V, PC Lens Frost, Dark Bronze	25	120	50,000	H90° x V110°	2700	5000K	70	5.48 x 3.52 x 8.38	12
3663106	Y	SSL-DW1/17W/50/120/C/DB	LED 17W, 50K, 120V, PC Lens Clear, Dark Bronze	17	120	50,000	H90° x V70°	1700	5000K	82	5.48 x 3.52 x 8.38	12
3664103	Y	SSL-DW1/25W/50/120/C/DB	LED 25W, 50K, 120V, PC Lens Clear, Dark Bronze	25	120	50,000	H90° x V70°	2600	5000K	70	5.48 x 3.52 x 8.38	12

Applications

Security, entry ways, stairways, storage and perimeter areas, as well as residential exteriors

Dimensional drawing



Ordering Information Example: SSL-WP2/30W/50/UNV/DB/PS1

Family Name	Fixture Type	Wattage	CCT	Voltage (V)	Lens	Body Finish
SSL (Solid State Lighting)	DW1 (Outdoor Commercial Entry Light)	25W 17W 15W	50 (5000K)	120 (120V)	F (Frost) C (Clear)	DB (Dark Bronze)



LED FIXTURE

SSL Series



LED Canopy SSL-CP1

Offers maximum light output for general purpose area and security lighting, efficiently deliver lumens, and consume less energy than traditional MH technologies



Features & Benefits

CUL listed, DLC

Available with lumen outputs from 4,200 to 6,700 lumens

LM-80 certified high performance and reliable CREE COB LEDs

Die-cast aluminum housing with black Colour body finish

Wet location rated

Pendant or surface mount

Voltage 120-277V/347V, support 0-10V dimmable*

CRI≥70*, L70 @ 50,000 Hrs

PC Lens clear or frost optional

* For details, see product specification below

Warranty

5-year limited warranty in commercial use from the date of purchase

Operating temperature range between -40°C and +40°C

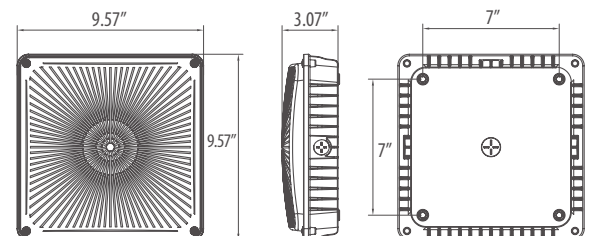
Product Specification

Ordering Code	DLC	Model Number	Description	Wattage (W)	Input Voltage (V)	Hour Rating	Optics/ Distribution	Initial Delivered Lumens (lm)	CCT (K)	CRI	Dimension L×W×H(inch)	Case QTY.
3665126	Y	SSL-CP1S/45W/50/UNV/BK	SSL 45W LED Canopy Light, 50K, 120-277V, Ultra Thin, Black	45	120-277	50,000	H160° x V160°	5300	5000K	70	9.57 x 9.57 x 3.07	1
3665116	Y	SSL-CP1/45W/50/UNV/BK/D	SSL 45W LED Canopy Light, 50K, 120-277V, Ultra Thin, Black, Dimmable	45	120-277	50,000	H160° x V160°	4200	5000K	70	9.57 x 9.57 x 3.07	1
3665201	Y	SSL-CP1/45W/50/347/BK/D	SSL 45W LED Canopy Light, 50K, 347V, Ultra Thin, Black, Dimmable	45	347	50,000	H160° x V160°	4200	5000K	70	9.57 x 9.57 x 3.07	1
3666114	Y	SSL-CP1/65W/50/UNV/BK/D	SSL 65W LED Canopy Light, 50K, 120-277V, Ultra Thin, Black, Dimmable	65	120-277	50,000	H160° x V160°	6600	5000K	70	9.57 x 9.57 x 3.07	1
3666209	Y	SSL-CP1/65W/50/347/BK/D	SSL 65W LED Canopy Light, 50K, 347V, Ultra Thin, Black, Dimmable	65	347	50,000	H160° x V160°	6700	5000K	70	9.57 x 9.57 x 3.07	1

Applications

Parking structures, storage areas, shopping area walkways, entryway, and low level security

Dimensional drawing



Ordering Information

Example: SSL-CP1/45W/50/UNV/BK/D

Family Name	Fixture Type	Wattage	CCT	Voltage (V)	Body Finish	Dimmable
SSL (Solid State Lighting)	CP1 (Canopy) CP1S (High Lumen Canopy)	65W 45W	50 (5000K)	UNV (120~277V) 347 (347V)	BK (Black)	D(Dimmable) Blank (Non-Dimmable)



LED FIXTURE

SSL Series



LED Canopy SSL-CP2

Ultra-thin design allows for use in low ceiling applications.



Features & Benefits

CUL listed, DLC qualified	PIR sensor, emergency battery optional
Available with lumen outputs from 3,800 to 8,000 lumens	Voltage 120-277V/347-480V, support 0-10V dimmable*
System light efficacy ≥ 133 lm / W	CRI ≥ 70 , L70 @ 50,000 Hrs
Ultra light design, black body finish	Suitable for J-BOX mounting, and pendant mounting
Wet location listed	PC Lens clear

* For details, see product specification below

Warranty

5-year limited warranty in commercial use from the date of purchase
Operating temperature range between -40°C and +40°C

Applications

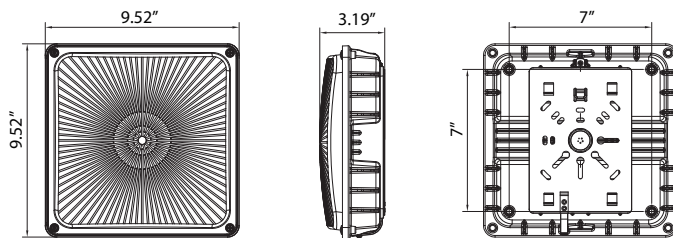
Parking structures, storage areas, shopping area walkways, entryway, and low level security

Product Specification

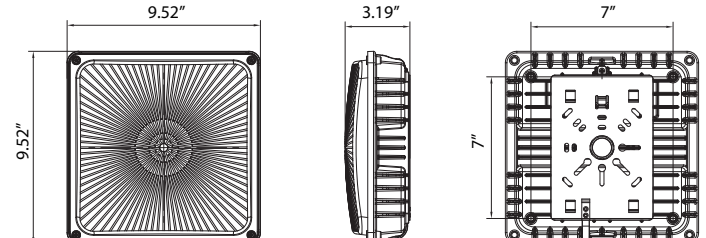
Ordering Code	DLC	Model Number	Description	Wattage (W)	Input Voltage (V)	Hour Rating	Optics/ Distribution	Initial Delivered Lumens (lm)	CCT (K)	CRI	Dimension LxWxH(inch)	Case QTY.
3664125	Y	SSL-CP2/27W/50/UNV/BK	27W, 50K, 120-277V, Black	25	120-277	50,000	H160° x V160°	3800	5000K	70	9.52 x 9.52 x 3.19	1
3664126	Y	SSL-CP2/27W/50/UNV/BK/D	27W, 50K, 120-277V, Black, 0-10V Dimming	25	120-277	50,000	H160° x V160°	3800	5000K	70	9.52 x 9.52 x 3.19	1
3665139	Y	SSL-CP2/40W/50/UNV/BK	40W, 50K, 120-277V, Black	40	120-277	50,000	H160° x V160°	5450	5000K	70	9.52 x 9.52 x 3.19	1
3665140	Y	SSL-CP2/40W/50/UNV/BK/D	40W, 50K, 120-277V, Black, 0-10V Dimming	40	120-277	50,000	H160° x V160°	5450	5000K	70	9.52 x 9.52 x 3.19	1
3665228	Y	SSL-CP2/40W/50/HVU/BK/D	40W, 50K, 347-480V, Black, 0-10V Dimming	40	347-480	50,000	H160° x V160°	5450	5000K	70	9.52 x 9.52 x 3.19	1
3666125	Y	SSL-CP2/60W/50/UNV/BK	60W, 50K, 120-277V, Black	60	120-277	50,000	H160° x V160°	8000	5000K	70	9.52 x 9.52 x 3.19	1
3666126	Y	SSL-CP2/60W/50/UNV/BK/D	60W, 50K, 120-277V, Black, 0-10V Dimming	60	120-277	50,000	H160° x V160°	8000	5000K	70	9.52 x 9.52 x 3.19	1
3666231	Y	SSL-CP2/60W/50/HVU/BK/D	60W, 50K, 347-480V, Black, 0-10V Dimming	60	347-480	50,000	H160° x V160°	8000	5000K	70	9.52 x 9.52 x 3.19	1

Dimensional drawing

Net Weight: 27W: 3.615lb 40W: 4.166lb



Net Weight: 60W: 5.070lb



Ordering Information Example: SSL-CP2/27W/50/UNV/BK/D

Family Name	Fixture Type	Wattage	CCT	Voltage (V)	Body Finish	Dimmable	Options
SSL (Solid State Lighting)	CP2 (LED Canopy)	25W, 40W, 60W	50 (5000K)	UNV (120~277V), HVU (347~480V)	BK (Black)	D (Dimmable), Blank (Non-Dimmable)	TL-2052 (Sensor)



LED FIXTURE

RIGID Series

LED Flush Mount (2 Ring) RGD-FM/----/2R

LED double ring designed, deliver maximum light levels, ideal for low ceilings



sensor built-in



Features & Benefits

CUL listed, Energy Star

Size 14", 18" available

CRI >80, 120° Beam spread

120V input voltage, PF >0.9

L70 @ 50,000 Hrs

TRIAC dimmable down to 10%

Microwave sensor optional, 100% to preset 30% dim

Brushed Oxidation finish, PMMA Opal lens

Damp location approved

Non-IC rated

Multi-K 14" selectable CCT 3000/4000/5000K

Warranty

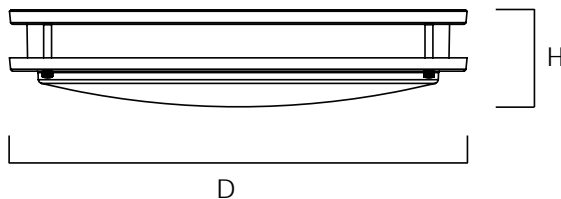
5-year limited warranty in commercial use from the date of purchase

Operating temperature range between -20°C and +40°C

Applications

Bedrooms, living rooms, hallways, kitchens and etc

Dimensional drawing



	D	H
RGD-FM14	14"	3.8"
RGD-FM14 (with MC sensor)	14"	3.8"
RGD-FM18	18"	3.8"



LED Flush Mount (2 Ring)

RGD-FM/----/2R

Ordering Information Example: RGD-FM14/21W/30/D/2R

Family Name	Fixture Type	Size	Wattage	CCT (Kelvin)	Dimmable Option	Body
RGD (Rigid)	FM (Flush Mount, 2 Ring)	14 (14") 18 (18")*	21W 28W 22W	40 (4000K) 30 (3000K) Multi-K (3000/4000/5000K)	D (Dimmable) S (Microwave Sensor)	2R (Double Ring)

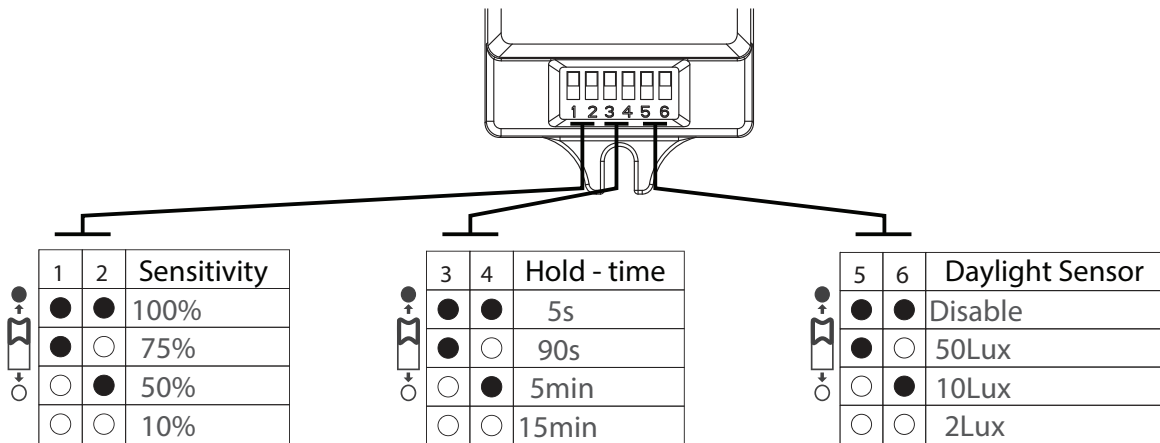
* Sensor not available

Product Specification

Ordering Code	Energy Star	Model Number	Description	Wattage (W)	Input Voltage (V)	Hour Rating	Initial Delivered Lumens (lumen)	CCT (K)	CRI	Damp Location	M.O.D. (inch)	Dimmable	Option Sensor	Case QTY.
3684102	Y	RGD-FM14/21W/30/D/2R	LED 14" 21W 3000K 2 Ring	21	120	50,000	1500	3000	80	Y	14	Y	-	6
3684103	Y	RGD-FM14/21W/40/D/2R	LED 14" 21W 4000K 2 Ring	21	120	50,000	1500	4000	80	Y	14	Y	-	6
3664120	Y	RGD-FM14/21W/30/S/2R	LED 14" 21W 3000K 2 Ring, with sensor	21	120	50,000	1470	3000	80	Y	14	N	Y	6
3664121	Y	RGD-FM14/21W/40/S/2R	LED 14" 21W 4000K 2 Ring with sensor	21	120	50,000	1470	4000	80	Y	14	N	Y	6
3684104	Y	RGD-FM18/28W/30/D/2R	LED 18" 28W 3000K 2 Ring	28	120	50,000	2000	3000	80	Y	18	Y	-	4
3684105	Y	RGD-FM18/28W/40/D/2R	LED 18" 28W 4000K 2 Ring	28	120	50,000	2000	4000	80	Y	18	Y	-	4
3674100	Y	RGD-FM14/22W/MULTI-K/D/2R	LED 14" 22W 3000/4000/5000K 2 Ring	22	120	50,000	1600	3000/4000/5000	80	Y	14	Y	-	6

Sensor Adjustment

Default sensor setting: sensitivity **50%**, hold-time **90s**, daylight sensor **disable**.



Sensitivity is the level where motion is detected, a higher sensitivity detects motion easier.

Hold-time is the duration that the light will stay on after motion is detected before switching down to approximate 30% light output once motion is not present.

Daylight sensor will set the trigger point of the photocell to determine when the sensor will detect daylight and not operate the light unnecessarily.



LED FIXTURE

RIGID Series

LED Flush Mount (PC) RGD-FM/----/PC

Traditional and eye-catching design, deliver maximum light levels, ideal for low ceilings



Features & Benefits

CUL listed, Energy Star

Size 13", 19" available

CRI >80, 120° Beam spread

120V input voltage

L70 @ 50,000 Hrs

TRIAC dimmable down to 10%

PMMA diffuser, white finish

Damp location approved

Warranty

5-year limited warranty in commercial use from the date of purchase

Operating temperature range between -20°C and +40°C

Product Specification

Ordering Code	Energy Star	Model Number	Description	Wattage (W)	Input Voltage (V)	Hour Rating	Initial Delivered Lumens (lumen)	CCT (K)	CRI	Damp Location	M.O.D. (inch)	Case QTY.
3663114	Y	RGD-FM13/18W/30/D/PC	LED Flush Mount 13" 18W 3000K PC	18	120	50,000	1300	3000	80	Y	13	6
3663115	Y	RGD-FM13/18W/40/D/PC	LED Flush Mount 13" 18W 4000K PC	18	120	50,000	1300	4000	80	Y	13	6
3664108	Y	RGD-FM19/32W/30/D/PC	LED Flush Mount 19" 32W 3000K PC	32	120	50,000	2300	3000	80	Y	19	4
3664109	Y	RGD-FM19/32W/40/D/PC	LED Flush Mount 19" 32W 4000K PC	32	120	50,000	2300	4000	80	Y	19	4

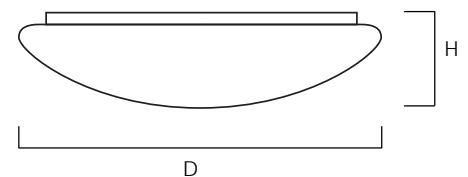
Applications

Bedrooms, living rooms, hallways, kitchens and etc

Ordering Information Example: RGD-FM13/18W/30/D/PC

Family Name	Fixture Type	Size	Wattage	CCT (Kelvin)	Dimmable	Body
RGD (Rigid)	FM (Flush Mount, PC)	13 (13") 19 (19")	18W 32W	40 (4000K) 30 (3000K)	D(Dimmable)	PC (Polycarbonate)

Dimensional drawing



	D	H
RGD-FM13	13"	3.44"
RGD-FM19	19"	3.44"



LED FIXTURE

RIGID Series



LED Slim Panel RGD-SP

Slim design allows it to be installed in low plenum ceilings.



Features & Benefits

- Type IC Rated – approved for direct contact with insulation, FT4 rated cable
- Isolated internal driver in junction box – fast and easy to install
- Range of sizes (4", 6", 8" available)
- Finish Color White (Black and Brush Nickel trim ring)
- Wet location rated
- J-Box c/w 3x3 wire quick connectors, allowing for easy through wiring
- Interchangeable trim ring for black or brushed nickel finish

- Energy Star approved*
- L70 @ 50,000 Hrs
- Dimmable Triac
- High CRI (80+)
- 120V LED Driver, PF>0.9
- PC lens aluminium body

Warranty

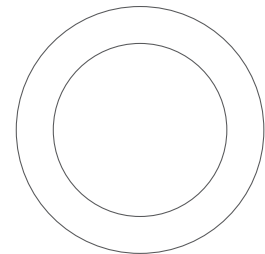
- 5-year limited warranty in commercial use from the date of purchase
- Operating temperature range between -20°C and +40°C

Applications

Residential / Commercial, Schools, Retirement Homes, University, Supermarkets, Shops, Hotels, Conference Rooms, Office Lighting, Show Room, Corridor, Kitchens etc.

* ES under qualifying process Q2, 2018

Dimensional drawing



	M.O.D	Cut-Out	H
SP4	4.75"	4.06"	1.25"
SP6	6.75"	5.91"	1.25"
SP8	9.13"	8.07"	1.25"



LED Slim Panel

RGD-SP

Ordering Information Example: RGD-SP/4/8.5W/30/WH/D

Family Name	Fixture Type	Size	Wattage	CCT (Kelvin)	Finish Color	D	Options
RGD (Rigid)	SP (Slim Panel)	4 (4") 6 (6") 8 (8")	8.5W 10.5W 24.5W	30 (3000K) 40 (4000K)	WH (White)	D (Dimmable)	Black Trim Ring Brush Nickel Trim Ring

Product Specification

Ordering Code	ES	Model Number	Wattage (W)	Input Voltage (V)	Hour Rating	Initial Lumens (lumen)	CCT (K)	CRI	Wet Location	Damp Location	Dimension D×H (inch)	Case QTY.
3662113	Yes	RGD-SP/4/8.5W/30/WH/D	8.5	120	50,000	700	3000	>80	Yes	Yes	4 3/4" × 1 1/4"	6
3662116	Yes	RGD-SP/4/8.5W/40/WH/D	8.5	120	50,000	800	4000	>80	Yes	Yes	4 3/4" × 1 1/4"	6
3662119	Yes	RGD-SP/6/10.5W/30/WH/D	10.5	120	50,000	980	3000	>80	Yes	Yes	6 3/4" × 1 1/4"	6
3662122	Yes	RGD-SP/6/10.5W/40/WH/D	10.5	120	50,000	1070	4000	>80	Yes	Yes	6 3/4" × 1 1/4"	6
3664112	Yes	RGD-SP/8/24.5W/30/WH/D	24.5	120	50,000	2130	3000	>80	Yes	Yes	9 1/8" × 1 1/4"	6
3664114	Yes	RGD-SP/8/24.5W/40/WH/D	24.5	120	50,000	2330	4000	>80	Yes	Yes	9 1/8" × 1 1/4"	6
3662114		RGD-SP/4/BK	RIGID 4" Slim Panel, Black Trim Ring			4 3/4"						
3662115		RGD-SP/4/BN	RIGID 4" Slim Panel, Brush Nickel Trim Ring			4 3/4"						
3662120		RGD-SP/6/BK	RIGID 6" Slim Panel, Black Trim Ring			6 3/4"						
3662121		RGD-SP/6/BN	RIGID 6" Slim Panel, Brush Nickel Trim Ring			6 3/4"						
3664113		RGD-SP/8/BN	RIGID 8" Slim Panel, Brush Nickel Trim Ring			9 1/8"						
3664115		RGD-SP/8/BN	RIGID 8" Slim Panel, Brush Nickel Trim Ring			9 1/8"						



LED FIXTURE

RIGID Series

LED Downlight With J-Box RGD-DLJ

LED downlight with integral junction box for easy and fast installation



Features & Benefits

cETL listed, Energy Star

Size 6", 8" available

6" CRI ≥92, 97° Beam spread
8" CRI ≥81, 94° Beam spread

120V input voltage

Dimmable

L70 @ 50,000 Hrs

6" Wet location approved
8" Damp location approved

Warranty

5-year limited warranty in commercial use from the date of purchase

Operating temperature range between -20°C and +40°C

Product Specification

Ordering Code	Energy Star	Model Number	Description	Wattage (W)	Input Voltage (V)	Hour Rating	Beam Angle	Initial Delivered Lumens (lumen)	CCT (K)	CRI	Wet Location	Damp Location	M.O.D. (inch)	Case QTY.
3662106	Y	RGD-DLJ/6/15W/30/D	Downlight with J-Box 6" 15W 30K Dimmable	15	120	50,000	97°	1000	3000	92	Y	-	7.3	12
3662107	Y	RGD-DLJ/6/15W/35/D	Downlight with J-Box 6" 15W 35K Dimmable	15	120	50,000	97°	1000	3500	92	Y	-	7.3	12
3662108	Y	RGD-DLJ/6/15W/40/D	Downlight with J-Box 6" 15W 40K Dimmable	15	120	50,000	97°	1050	4000	94	Y	-	7.3	12
3665117	Y	RGD-DLJ/8/35W/30/D	Downlight with J-Box 8" 35W 30K Dimmable	35	120	50,000	94°	2600	3000	81	-	Y	9.1	6
3665118	Y	RGD-DLJ/8/35W/35/D	Downlight with J-Box 8" 35W 35K Dimmable	35	120	50,000	94°	2600	3500	81	-	Y	9.1	6
3665119	Y	RGD-DLJ/8/35W/40/D	Downlight with J-Box 8" 35W 40K Dimmable	35	120	50,000	94°	2700	4000	81	-	Y	9.1	6

Applications

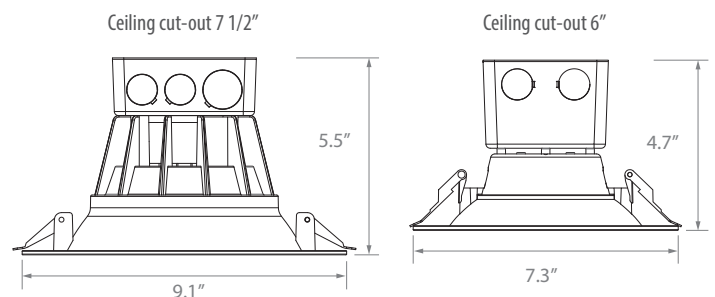
Residential / Institution Lighting, School, Colleges, University and Hospitals, Supermarkets, Shops, Hotels, Conference Rooms, Office Lighting, Show Room, Corridor, Kitchen Room and etc.

Ordering Information

Example: RGD-DLJ/6/15W/30/D

Family Name	Fixture Type	Size	Wattage	CCT (Kelvin)	Dimmable
RGD (Rigid)	DLJ (Downlight with J-Box)	6 (6") 8 (8")	35W 15W	40 (4000K) 35 (3500K) 30 (3000K)	D(Dimmable)

Dimensional drawing



LED FIXTURE

RIGID series

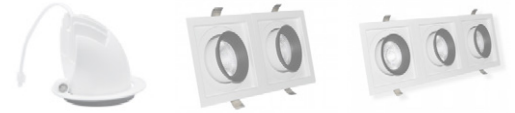
Round Frame

Square Frame



LED MULTI SPOTLIGHT

Design for accent lighting, general lighting and vertical lighting



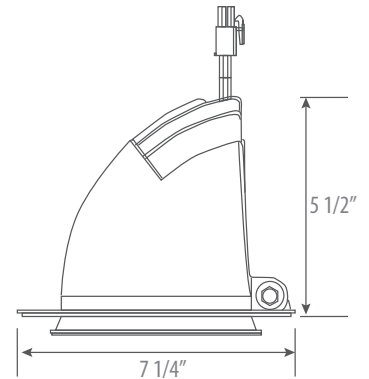
RGD-LAD



Features & Benefits

Anti-glare design, square frame optional	Up to 100lm/W
Beam angle: 24°, 38°, 60° and 80°x45°	350° gimbal and 50° adjustable
Ultra low glare light with shielding angle 15°	High power factor over 0.95
High CRI 82+	Type Non IC, for commercial new construction building

Dimensional drawing



Warranty

5-year limited warranty in commercial use from the date of purchase
 Operating temperature range between -20°C and +40°C
 Energy Star, ETL listed

Applications

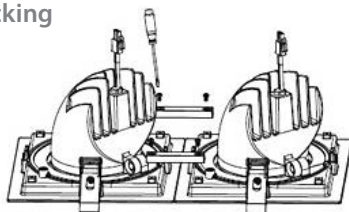
Residential, Retail, Art Gallery, Museum, Automotive and Parking, Hospitality, Offices and Banks, etc.

Product Specification

Energy Star	Model Number	Size*	Wattage (W)	Input Voltage (V)	CCT Optial	Beam Angle	Power Factor	Dimmable	Lumen Flux	CRI Optial
Yes	RGD-LAD/6/21W/120/30K/38/RD/D/WH	6" DIA	21	120	3000K	24°, 38°, 60°, 80°x45°	>0.95	Triac/ELV(option)	2,050lm	CRI82
Yes	RGD-LAD/6/43W/120/30K/60/RD/D/WH	6" DIA	43	120	3000K	24°, 38°, 60°, 80°x45°	>0.95	1-10V Dim	4,000lm	CRI82
	RGD-LAD/SQ	Square frame 6.88" x 6.88", square frame sold separately (field install)								
	RGD-LAD/JOINER	1 set per square frame								

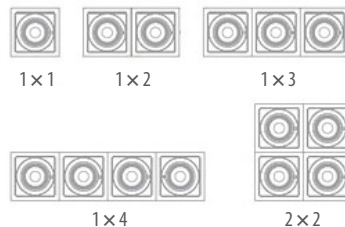
*Cut out 6 11/16"

Docking



Make sure the frame are at the same direction.
 Screw the docking blocks to fix the frame

Finished



Round Spotlight

Ordering Information

Example: RGD-LAD/6/22W/120/30K/38/RD/D/WH

FAMILY NAME	FIXTURE TYPE	SIZE	WATTAGE	INPUT VOLTAGE (V)	CCT	BEAM ANGLE	FRAME	DIMMABLE	COLOR FINISH
RGD (Rigid)	LAD (Linkable, Adjustabl Downlight)	6 (6")	21W 43W**	120	30K	38	RD (Round) SQ (Square)	D	WH (White)

**43W 1-10V Dim, non IC



Turolight's 4" recessed down light fixtures are manufactured with the highest quality of components available. Designed for use in either insulated or non-insulated ceilings, our housings are available in new construction or remodel.

Customize your down light with our TUFF trims which are available in a variety of finishes. For best results use with Turolight's HD™/VIVID™/PV™ series LED JDR/MR16 and PAR20 lamps.



Contractor friendly, Easy to use, Easy to install

PL-H4R 4" REMODEL NON-INSULATED

- Fully assembled housing with two pre-installed remodel clips easily secure the housing to any ceiling material
- Quick connects supplied for ease of wiring
- For use in non-insulated ceilings
- Thermally protected 50W Maximum

PL-H4RICAT 4" REMODEL INSULATED

- Fully assembled housing with two pre-installed remodel clips easily secure the housing to any ceiling material
- Quick connects supplied for ease of wiring
- For use in insulated ceilings
- Thermally protected 10W Maximum

PL-H4NIC 4" NEW CONSTRUCTION NON-INSULATED

- Fully assembled housing with pre-installed adjustable hanger-bars
- Quick connects supplied for ease of wiring
- For use in non-insulated ceilings
- Thermally protected 50W Maximum

PL-H4ICAT 4" NEW CONSTRUCTION INSULATED, AIR TIGHT

- Fully assembled housing with pre-installed adjustable hanger-bars
- Quick connects supplied for ease of wiring
- For use in insulated ceilings
- Thermally protected 50W Maximum

Accessories

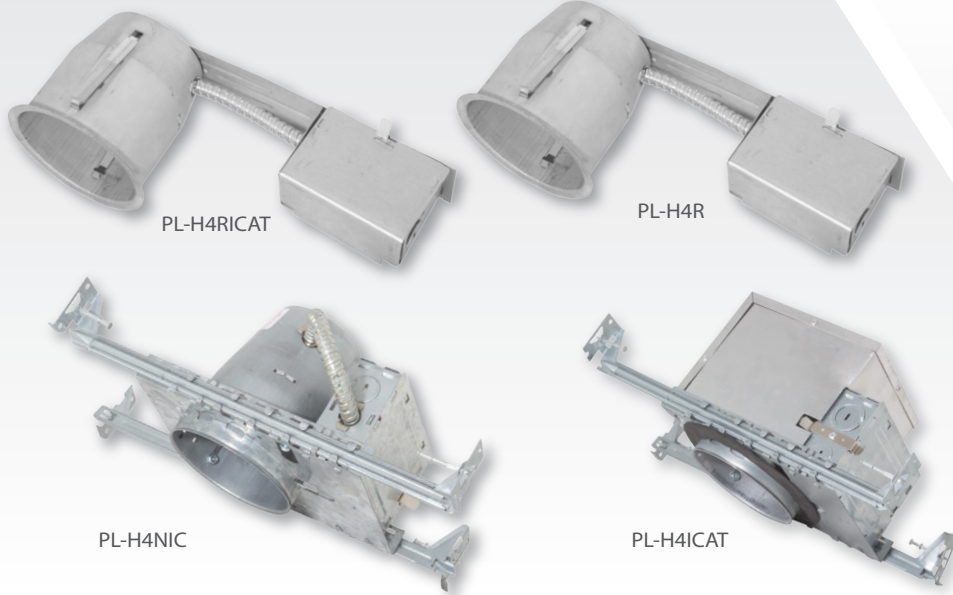
- Vapour Barrier - Fits all 4" housings
- 4" Mounting Plate

Turolight Recommend

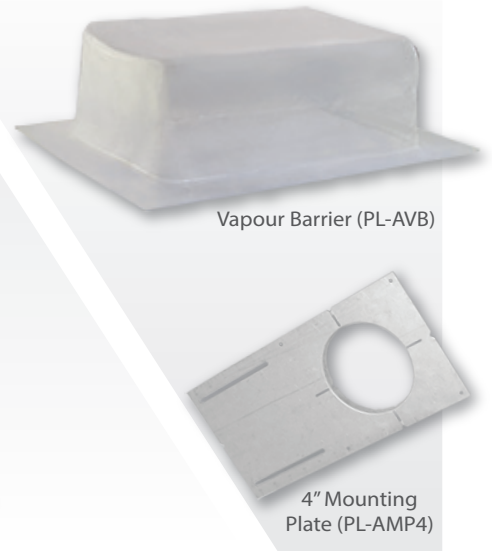
- HD™ - Premium Choice
- VIVID™ - Performance Choice
- PV™ - Pure Value



POT LIGHT FIXTURES



ACCESSORIES



TRIM



POT LIGHT FIXTURES

Order Code	Model Number	Description	Case Qty.
3465100	PL-H4ICAT	New construction for insulated ceiling, 50W max, E26(PAR20/MR16)	6
3465101	PL-H4NIC	New construction for non-insulated ceiling, 50W max, E26(PAR20/MR16)	6
3465102	PL-H4R	Remodeler for non-insulated ceiling, 50W max, E26(PAR20/MR16)	6
3465112	PL-H4RICAT	Remodeler for insulated ceiling, air tight 10W max, E26(PAR20/MR16)	6

Trim

Order Code	Model Number	Description	Case Qty.
3465103	PL-T4GR/20/MW	4" adjustable gimbal ring trim, matte white, PAR20	24
3465104	PL-T4GR/16/GW	4" adjustable gimbal ring trim, glossy white, MR16	24
3465108	PL-T4GR/20/BN	4" adjustable gimbal ring trim, bush nickle, PAR20	24
3465109	PL-T4GR/16/BN	4" adjustable gimbal ring trim, brush nickle, MR16	24
3465110	PL-T4SH/20	4" white shower trim, PAR20	24
3465111	PL-T4SH/16	4" white shower trim, MR16/PAR16	24

Accessory

Order Code	Model Number	Description	Case Qty.
3465105	PL-AMP4	4" aperture mounting plate	24
3465106	PL-AVB	Vapour barrier	50

Turolight reserves the right to change specifications, modify designs and discontinue items without incurring obligation. Every effort is made to ensure that descriptions, specifications and other information in this data sheet are correct. No warranty is given in respect thereof and the company shall not be liable for any error therein.

© Turolight, Inc®.

This material is copyright. Except as permitted, no part of this work may be reproduced by any process without prior written permission of and acknowledgement to Turolight, Inc.

The identified trademarks and copyrights are the property of Turolight® unless otherwise noted.

You can find this data sheet and many others online in PDF format at:

www.turolight.com

Distributed by:

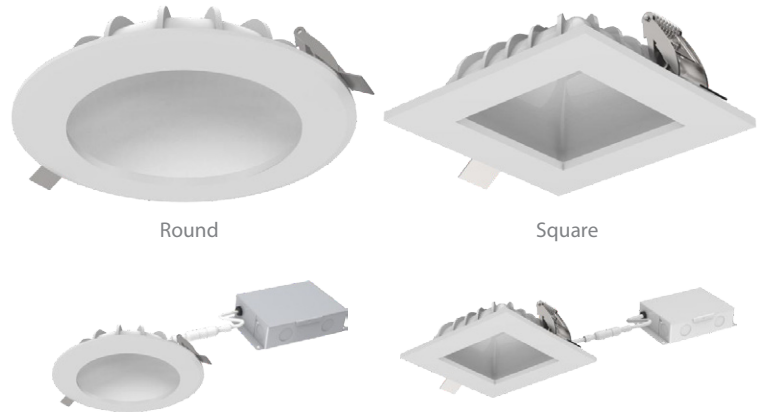


LED FIXTURE

RIGID Series

LED Ceiling Dome Light RGD-CD

LED 4" & 6" ceiling dome light, round / square shape



Features & Benefits

- cETL listed

- Special design to reduce glare for a better quality of light

- Gentle light comes out after being redirected off of the reflector lighting without a visible light source

- Die-cast aluminum body material with good heat dissipation

- White, Black Finish available

- L70 @ 50,000 HRS

- 120V

- Triac dimming

- High CRI (80+)

- Damp location rated (with feed through wiring)

- Independent drive junction box, with quick connects FT4 cable

Warranty

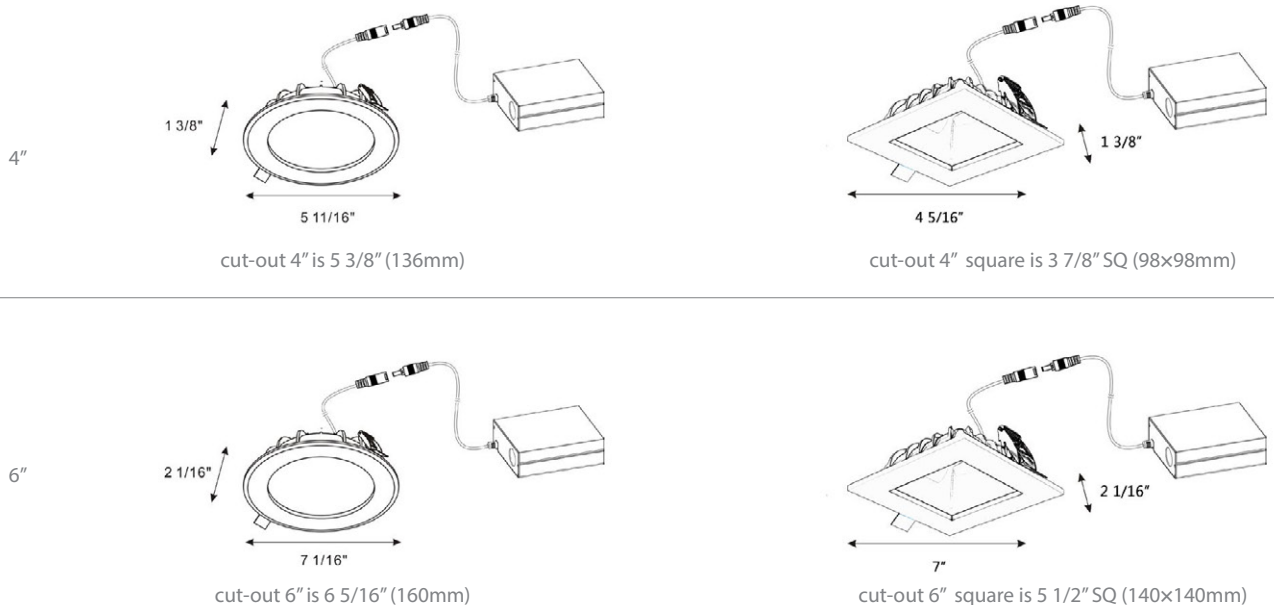
- 3-year limited warranty in commercial use from the date of purchase

- Operating temperature range between -20°C and +40°C

Applications

Residential / Commercial, Schools, Retirement Homes, University, Supermarkets, Shops, Hotels, Conference Rooms, Office Lighting, Show Room, Corridor, Kitchens, vestibules, wall niche and etc.

Dimensional drawing





LED Ceiling Dome Light

RGD-CD

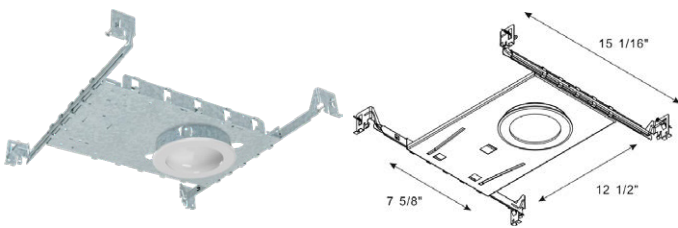
Ordering Information Example: RGD-CD/4/10W/30/D/WH

Family Name	Fixture Type	Size	Shape	Wattage	CCT	Dimmable	Body Finish	Options
RGD (Rigid)	CD (Ceiling Dome)	4 (4") 6 (6")	Blank (Round) S (Square)	10W 14W	30 (3000K)	D (Dimmable)	WH (White) BK (Black)	CD-NC4R CD-NC4S CD-NC6R CD-NC6S

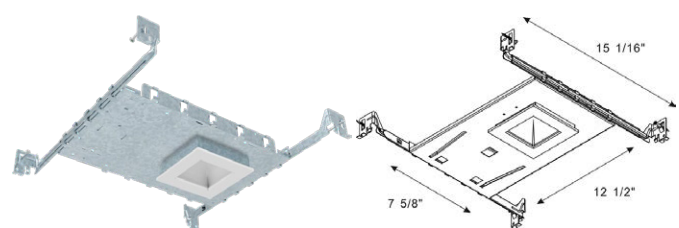
Product Specification

Ordering Code	Model Number	Wattage (W)	Input Voltage (V)	Hour Rating	Initial Delivered Lumens (lumen)	CCT (K)	CRI	Damp Location*	M.O.D (inch)	M.O.H (inch)
3662128	RGD-CD/4/10W/30/D/WH	10	120V	50,000	650	3000K	>80	Yes	5 11/16"	1 3/8"
3662129	RGD-CD/6/14W/30/D/WH	14	120V	50,000	850	3000K	>80	Yes	7 1/16"	2 1/16"
3662130	RGD-CD/4/S/10W/30/D/WH	10	120V	50,000	650	3000K	>80	Yes	4 5/16"	1 3/8"
3662131	RGD-CD/6/S/14W/30/D/WH	14	120V	50,000	850	3000K	>80	Yes	7"	2 1/16"
3660064	CD-NC4R	Ceiling dome light, new construction mounting plate for round 4"								
3660065	CD-NC6R	Ceiling dome light, new construction mounting plate for round 6"								
3660066	CD-NC4S	Ceiling dome light, new construction mounting plate for square 4"								
3660067	CD-NC6S	Ceiling dome light, new construction mounting plate for square 6"								

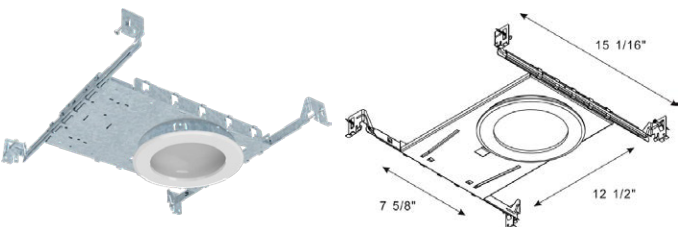
* Damp location rated (with feed through)



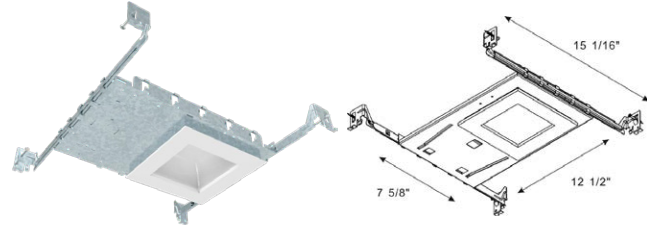
CD-NC4R



CD-NC4S



CD-NC6R



CD-NC6S



LED FIXTURE

TL Series



LED Emergency

TL-EM001

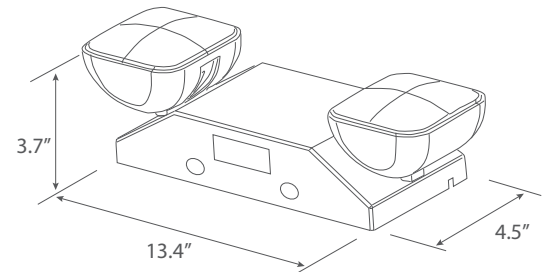
Twin Head LED Emergency Light



Features & Benefits

- Injection-molded thermoplastic housing
- Easy installation
- Ni-cd battery backup for 90 minutes
- Universal (wall, ceiling) mounting
- 2W x 2 SMD LED adjustable heads
- 120/347VAC input voltage
- cUL listed / IP20
- Test switch and charge indicator light
- UL-94V-0 flame rating, fire-retardant

Dimensional Drawing



Warranty

- 5-year limited warranty in commercial use from the date of purchase
- Operating temperature range between -10°C and +40°C

Ordering Information Example: TL-RMES003

Family Name	Fixture Type	Model
TL (Turolight)	EM (Emergency Light)	001 (Twin Head LED Emergency Light)

Product Specification

Ordering Code	Model Number	Description	Wattage (W)	Input Voltage (V)	Mounting	Self Powered Battery	Damp Location	Dimensions LxW (inch)	Case QTY.
3461211	TL-EM001	Twin Head LED Emergency - AC only	4W	120/347VAC	wall, ceiling	Yes (90 minutes)	Yes	13.4x4.5	6



LED FIXTURE

TL Series

LED Emergency

TL-EM002, TL-EM003

LED Emergency Remote Head



TL-EM003



TL-EM002



Features & Benefits

Injection-molded thermoplastic housing

Easy installation

UL-94V-0 flame rating, fire-retardant

Universal (wall, ceiling) mounting

2W x 2 SMD LED heads (TL-EM002)

2W SMD LED head (TL-EM003)

3.6-24 VDC input voltage

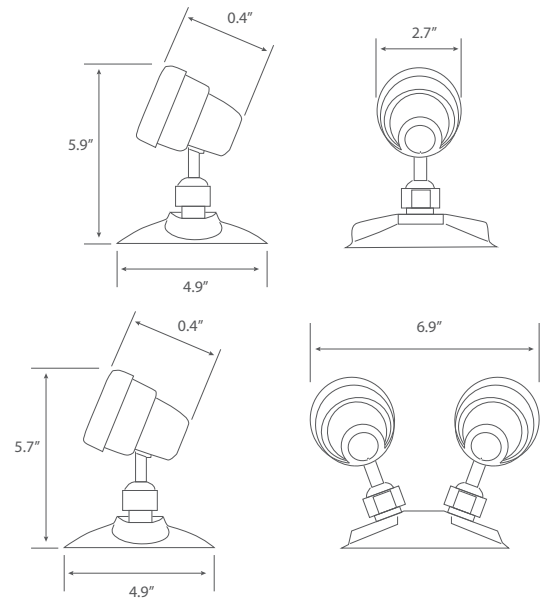
cUL listed / IP20

Warranty

5-year limited warranty in commercial use from the date of purchase

Operating temperature range between -10°C and +40°C

Dimensional Drawing



Ordering Information Example: TL-RMES003

Family Name	Fixture Type	Model
TL (Turolight)	EM (Emergency Light)	002 (LED Emergency 2 Remote Heads) 003(LED Emergency 1 Remote Head)

Product Specification

Ordering Code	Model Number	Description	Wattage (W)	Input Voltage	Mounting	Remote Capable	Self Powered Battery	Damp Location	Dimensions LxW (inch)	Case QTY.
3461112	TL-EM002	LED Emergency 2 Remote Heads	4W	3.6-24VDC	wall, ceiling	Yes	No	Yes	5.9 x 4.9	6
3461113	TL-EM003	LED Emergency 1 Remote Head	2W	3.6-24VDC	wall, ceiling	Yes	No	Yes	5.7 x 4.9	6



LED FIXTURE

TL Series

LED Emergency

TL-RMES003

"Running Man" LED Emergency Combo Sign



Features & Benefits

- Injection-molded thermoplastic housing

- Easy installation

- Ni-cd battery backup for 90 minutes

- Universal (wall, ceiling) mounting

- 2W x 2 SMD LED adjustable heads

- 120/347VAC input voltage

- 3 Pictograms included, single/ double face

- cUL listed / IP20

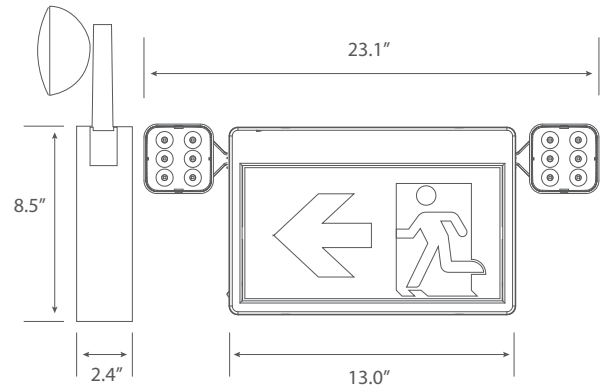
- Test switch and charge indicator light

Warranty

- 5-year limited warranty in commercial use from the date of purchase

- Operating temperature range between 0°C and +40°C

Dimensional Drawing



Arrow 2pcs



Without Arrow 1pc

Ordering Information Example: TL-RMES003

Family Name	Fixture Type	Model
TL (Turolight)	RMES ("Running Man" Emergency Sign)	003 (Emergency Combo Sign)

Product Specification

Ordering Code	Model Number	Description	Wattage (W)	Input Voltage (V)	Mounting	Self Powered Battery	Damp Location	Dimensions LxWxH (inch)	Case QTY.
3461210	TL-RMES003	"Running Man" LED Emergency Sign, White Housing AC only	3W	120/347VAC	wall, ceiling	Yes (90 minutes)	Yes	13.0 x 8.5 x 2.4	6



LED FIXTURE

TL Series

LED Emergency

TL-RMES101

"Running Man" LED Emergency Sign



Features & Benefits

Injection-molded thermoplastic housing

Easy installation

Ni-cd battery backup for 90 minutes

Universal (wall, ceiling) mounting

SMD LED

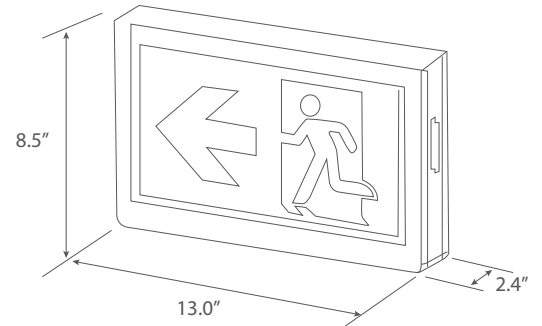
120/347VAC input voltage

3 Pictograms included, single/ double face

cUL listed / IP20

Test switch and charge indicator light

Dimensional Drawing



Arrow 2pcs



Without Arrow 1pc

Warranty

5-year limited warranty in commercial use from the date of purchase

Operating temperature range between 0°C and +40°C

Ordering Information Example: TL-RMES003

Family Name	Fixture Type	Model
TL (Turolight)	RMES ("Running Man" Emergency Sign)	101 (Emergency Sign)

Product Specification

Ordering Code	Model Number	Description	Wattage (W)	Input Voltage (V)	Mounting	Remote Capable	Self Powered Battery	Damp Location	Dimensions LxWxH (inch)	Case QTY.
3461114	TL-RMES101	"Running Man" LED Emergency Sign, White Housing AC only	3W	120/347VAC	wall, ceiling	No	Yes (90 minutes)	Yes	13.0x8.5x2.4	6



LED FIXTURE

TL Series

LED Emergency

TL-RMES201

"Running Man" LED Edge-lit Emergency Sign



Features & Benefits

- Injection-molded thermoplastic ABS housing

- Easy installation

- Ni-cd battery backup for 90 minutes

- Universal (wall, side, ceiling) mounting

- Super bright SMD LED

- 120/347VAC input voltage, 3W

- 3 Pictograms included, single/ double face

- cUL listed / IP20

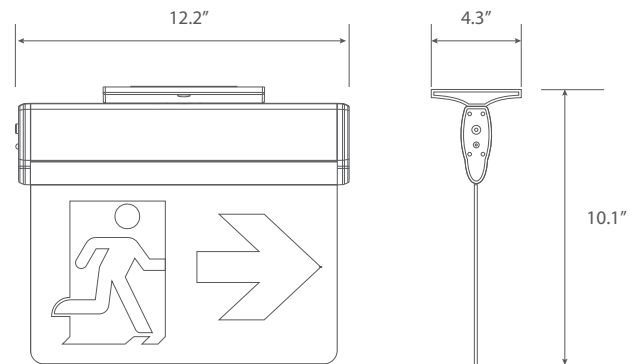
- Test switch and charge indicator light

Warranty

- 5-year limited warranty in commercial use from the date of purchase

- Operating temperature range between 0°C and +40°C

Dimensional Drawing



Arrow 2pcs



Without Arrow 1pc

Ordering Information Example: TL-RMES201

Family Name	Fixture Type	Model
TL (Turolight)	RMES ("Running Man" Emergency Sign)	201 (Edge-lit Emergency Sign)

Product Specification

Ordering Code	Model Number	Description	Wattage (W)	Input Voltage (V)	Mounting	Remote Capable	Self Powered Battery	Damp Location	Dimensions* LxW (inch)	Case QTY.
3461115	TL-RMES201	"Running Man" LED Edge-lit Emergency Sign, White Housing AC only	3W	120/347VAC	wall, side, ceiling	No	Yes (90 minutes)	Yes	12.2x10.1	6

* Please see the "Dimensional Drawing" for detail



LED FIXTURE



LED Sports Light SSL-SL

Delivers volumetric lighting and reducing glare.



Electrical Data

Wattage	From 300W to 1,250W
PowerSupply	MEANWELL
Input Voltage	AC100-277V / 347V
Power Frequency	50/60Hz
Power Efficiency	>93%
Power Factor	0.95
Total Harmonic Distortion	<15%

Optical Data

LED Type	LUMILEDS
Efficiency	130lm/W
Luminous Flux	From 39,000 to 156,000lm
CCT	3000K/4000K/5000K/5700K/6500K
CRI	>80Ra
System Efficiency	>90%
Beam Angle	From 15° to 80°

Other Features

- CUL listed, DLC
- L70 (300W~500W 145,000Hrs) (600W~750W 110,000Hrs) (1,000W~1,250W 115,000Hrs)
- 10KV surge protection, IP66 rated
- 2M cable black
- Black housing with Red accents

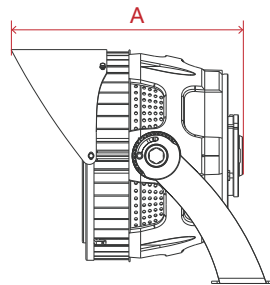
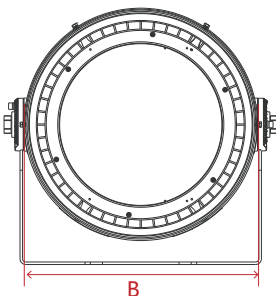
Warranty

- 5-year limited warranty in commercial use from the date of purchase
- Operating temperature range between -30°C and +50°C

Applications

- Indoor/ Outdoor sports arenas

Dimensional drawing



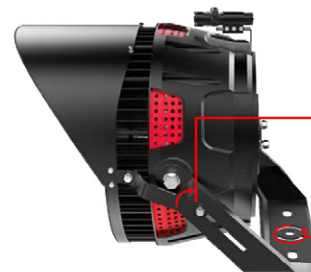
	A	B
300W~500W	398mm/ 15.67"	Ø368mm/ 14.49"
600W~1,250W	500mm/ 19.7"	Ø474mm/ 18.66"



Lens



Products are designed with seamless combination of advanced free forms optics and structure. Unique micromulti facet optic design makes the light uniformity even and reduced glare. Advanced material maximizes light transmittance.



Bracket



Up and down adjustable angle 0° ~ 240°



Left and right adjustable angle 0° ~ 200°



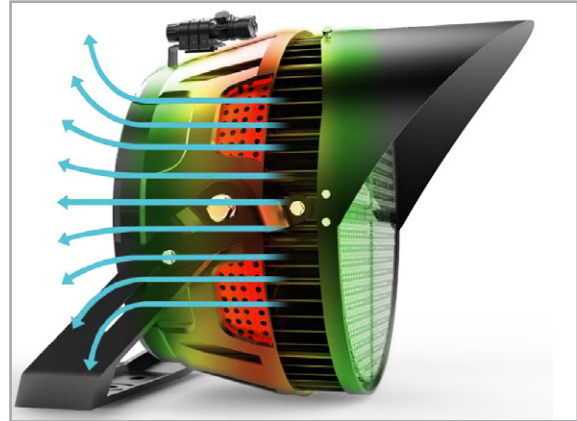
LED Sports Light

SSL-SL

Good heat dissipation can extend the service life of lamps. The high efficiency of power supply, low power consumption, low heat output in the lamps, reduce the temperature rise of the lamps, which is beneficial to extending the LED's life.

Thermal Management

Seamless link of materials and numerous vents on heat sink improved heat management, keeps away from all field heat,ensures the stability of light system.



Driver Supplier

Better heat managment, easier installation, convenient for maintenance and replacement.



Ordering Information Example: SSL-SL/400W/50/UNV/80

Family Name	Fixture Type	Wattage	Lumen	CCT (Kelvin)	Voltage	Beam Angle	Bracket Type
SSL(Solid State Lighting)	SL (Sports Light)	300W	39,000lm	30(3000K)	UNV (100-277V) 347V	30 (30°)	Blank (Wall Mounting) RB (Rotating Bracket Mounting)
		400W	52,000lm	40(4000K)		45 (45°)	
		500W	65,000lm	50(5000K)		80 (80°)	
		600W	78,000lm	57(5700K)		15, 20, 25, 40, 60 (15°, 20°, 25°, 40°, 60°)	
		750W	97,500lm	65(6500K)			
		1000W	130,000lm				
		1250W	156,250lm				



Rotating Bracket Mounting



Wall Mounting



Instant Start Electronic Ballast UNV & 347V



Product Description

Compatible with T8, 32/25/17 & 30/28/25 wattage lamp types
THD <10%, high power factor
Normal ballast factor
Parallel lamp operation, enables lamps to remain on when one fails
Sound Rating A, for quiet operation
OCV 600V, No PCB's
Remote Mounting: 18 ft. max. Maximum ambient temperature: 131°F/ 55°C Maximum case temperature Tc: 194°F/ 90°C

Certifications

Meets ANSI standard C82.11-2002 and C62.41-2002
Meets FCC 18 non-consumer limits(277V)
UL&cULus listed (Class P, Type 1 Outdoor), Type HL
RoHS compliance

Warranty

Commercial/ Industrial product use with case Temp. 75°C or below	<u>5 years</u>
Commercial/ Industrial product use with case Temp. 90°C or below	<u>3 years</u>

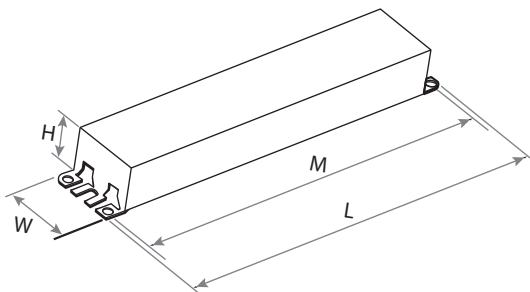
Product Specification

Order Code	Model Number	No. of Lamps	Lamp Type	Input Volts (V)	Input Power (W)	Line Current (A)	Ballast Factor	THD (≤%)	Power Factor (≥)
Instant Start, 120V 50/60Hz									
4161100	TL232UNV-IS	1	F32T8	120	35	0.29	1.08	10	0.98
	TL232UNV-IS	2	F32T8	120	56	0.46	0.89	10	0.98
4161101	TL432UNV-IS	3	F32T8	120	92	0.77	0.96	10	0.98
	TL432UNV-IS	4	F32T8	120	112	0.93	0.88	10	0.98
Instant Start, 347V 50/60Hz									
4161200	TL232347-IS	1	F32T8	347	37	0.112	1.08	10	0.98
	TL232347-IS	2	F32T8	347	56	0.170	0.89	10	0.98
4161201	TL432347-IS	3	F32T8	347	88	0.260	0.94	10	0.97
	TL432347-IS	4	F32T8	347	109	0.322	0.87	10	0.98

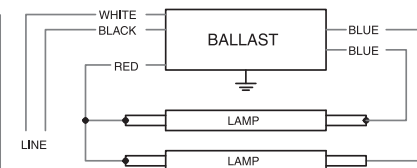
Dimensional drawing

9.5"(L) x 1.3"(W) x 1.1"(H) x 8.9"(M)
 0.79 lbs for TL232UNV-IS
 1.10 lbs for TL432UNV-IS
 TL232347-IS, TL432347-IS

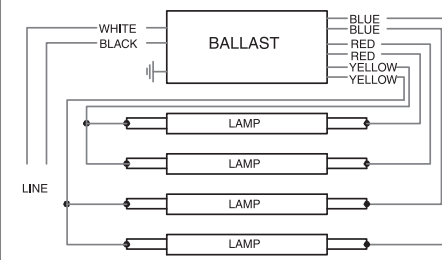
Lead Length: 18AWG
 White, Black 25" (±1")
 Yellow 46" (±1")
 Blue/ Red 31" (±1")



Ballast Wiring



For one lamp application, cap any blue lead insulate to 600V



For three lamps application, cap any blue lead insulate to 600V

LED FIXTURE

SSL Series

LED Stringer Light Set

SSL-STRINGER

24 Light, LED outdoor stringer light set



Features & Benefits

CUL listed, wet location approved

Decorative filament LED bulbs 2200K (warm light)

14.6m / 48 ft heavy-duty 16/3 cord with male & female molded connectors

Connect up to 45 sets 658m / 2160ft using 1W LED lamp only

Includes 24 bulbs plus 2 spares

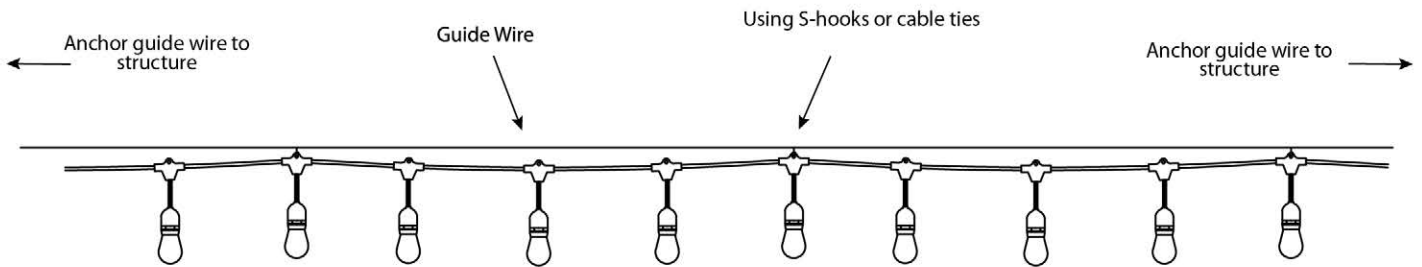
Shatter-resistant bulbs

Bulbs spaced 2ft on centre

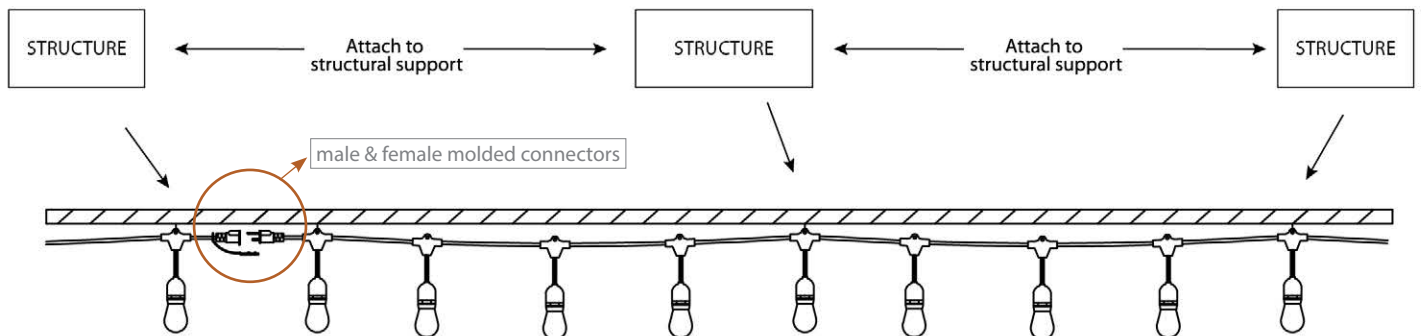
Energy saving 1 watt LED bulbs, 120V

Installation

1. If attaching to the guide wire, attach the ring at the back of the bulb holder to the guide wire using a S-hook or cable tie.



2. If a guide wire is not used, connect securely to structure at the beginning, middle and the end of EACH string light.



Ordering Information Example: SSL-STRINGER/48F/24W/22K/120V

Family Name	Fixture Type	Total Length	Wattage Per Set (Maximum)	CCT	Input Line Voltage
SSL (Solid State Lighting)	STRINGER (Stringer Light Set)	48F (48 feet)	24W	22K (2200K)	120V

Product Specification

Order Code	Model Number
3664118	SSL-STRINGER/48F/24W/22K/120V

EFFORTLESS LIGHTING CONTROL



6 SENSORS MAKE DOLLARS & SENSE!

Our Standard Range 360°, 450 ft² coverage occupancy sensor which incorporates Passive Infrared (PIR) detection technology into an attractive line powered occupancy sensor that provides amazing sensitivity to small motions and excellent payback. This sensor is an economical solution for providing automatic lighting control where a wall switch replacement sensor is not applicable.



Key Features

- **Designed to work with LED/CFL technology**
- **Self-contained relay**
- **Preset time delay**
- **Auto ON/OFF Operation mode***

*The sensor detects changes in the infrared energy given off by occupants as they move within the field-of-view. When occupancy is detected, a self-contained relay switches the connected lighting load on. The sensor is line powered, and switches line voltage. A standard occupancy time delay is also present that ensures lights turn off (assuming minimum on timer has elapsed) if no occupancy is detected. This timer, factory set at 15 seconds, keeps the lights on during brief periods of inactivity. It is knob programmable from 15 seconds to 30 minutes, and is reset every time occupancy is re-detected.

Application

- Warehouse
- Boardroom
- Gymnasium
- Garage
- Office
- Manufacturing plant

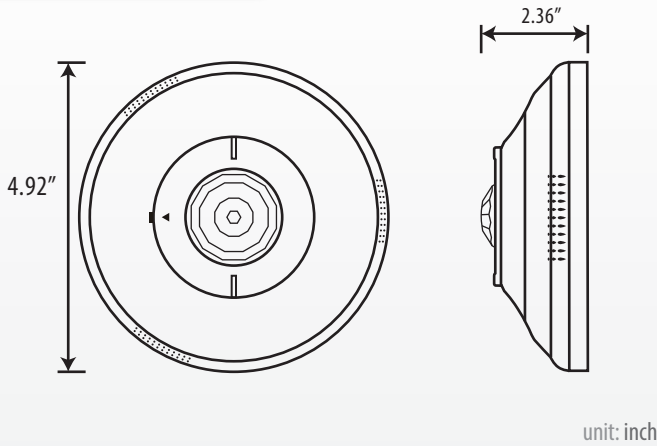
Other information

- Two (2) year limited warranty
- Easy retrofit
- cUL listed

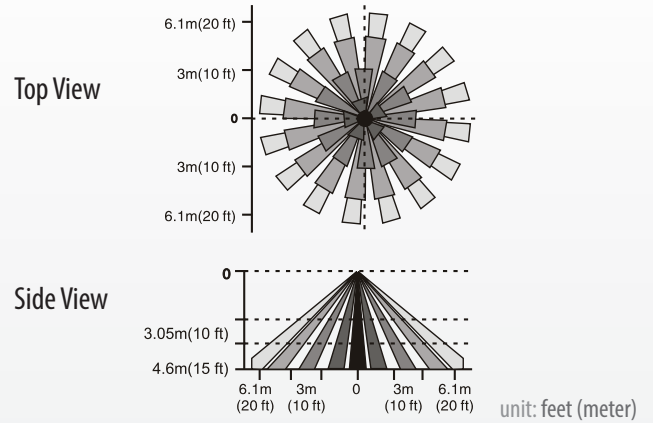
Specifications

	TL-1032
Technology	PIR
Occupancy/Vacancy	OCC
Coverage (Degrees Sq.Ft)	360° 450
Voltage	120/277 VAC
Frequency	50-60 Hz
Load Size	0-800W/0-1200W
Hot Required	Y
Neutral Required	Y
Ground Required	-
LED Indicator	-
ON/OFF Button	-
Adjustable Sensitivity	Y
Light Harvesting	Y
Operation Mode	OCC
Single Pole/2Pole/3-Way	Single Pole
Operating Temp.	0° to 55° C
Size	2.36" H x 4.92" W x 4.92" D
Weight	5.64 oz
Mounting Height	15 Ft

Dimensions



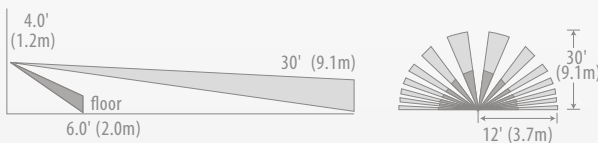
Detection Patterns



You might be interested in:

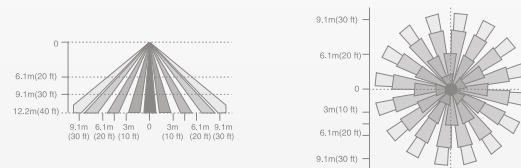
PIR WALL SWITCH OCCUPANCY SENSORS

Turolight's switch sensors are designed to replace a standard light or fan switch. This device can detect motion from a heat-emitting source (such as a person entering a room) within its field-of-views and automatically turn ON and OFF saving energy and reducing energy bills.



PIR HIGH BAY FIXTURE MOUNT OCCUPANCY SENSORS

Highly mountable High Bay 360° sensor provides Passive Infrared (PIR) occupancy detection over a 15-20 ft radial coverage pattern that overlaps the areas lit by a typical high bay fixture.



Call now for more information!

Turolight reserves the right to change specifications, modify designs and discontinue items without incurring obligation. Every effort is made to ensure that descriptions, specifications and other information in this data sheet are correct. No warranty is given in respect thereof and the company shall not be liable for any error therein.

© Turolight, Inc.
 This material is copyright. Except as permitted, no part of this work may be reproduced by any process without prior written permission of and acknowledgement to Turolight, Inc.
 The identified trademarks and copyrights are the property of Turolight® unless otherwise noted.
 You can find this data sheet and many others online in PDF format at:
www.turolight.com

Distributed by:



**PIR HIGH BAY
FIXTURE MOUNT
OCCUPANCY SENSORS**

EFFORTLESS LIGHTING CONTROL



“ CONVENIENCE AND SIMPLICITY!

Highly mountable High Bay 360° sensor provides Passive Infrared (PIR) occupancy detection over a 15-20 ft radial coverage pattern that overlaps the areas lit by a typical high bay fixture.

This line voltage sensor switches loads directly without the need for a power pack. The sensor can be mounts to a fixture with a 1/2 inch knockout for individual ON/OFF control of T5/T8 fluorescent lighting.



Key Features

- **Designed to work with LED/CFL technology**
- **Self-contained relay**
- **Replaces a standard light or fan single-pole switch**
- **Preset time delay**
- **Auto ON/OFF Operation mode***

*The sensor detects changes in the infrared energy given off by occupants as they move within the field-of-view. When occupancy is detected, a self-contained relay switches the connected lighting load on. The sensor is line powered, and switches line voltage. A standard occupancy time delay is also present that ensures lights turn off (assuming minimum on timer has elapsed) if no occupancy is detected. This timer, factory set at 15 seconds, keeps the lights on during brief periods of inactivity. It is knob programmable from 15 seconds to 30 minutes, and is reset every time occupancy is re-detected.

Application

- Warehouse
- Manufacturing plant
- Gymnasium
- Storage Rooms

Other information

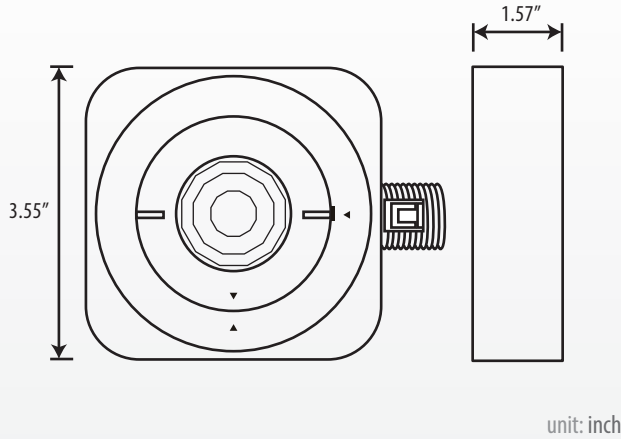
- Two (2) year limited warranty
- Easy retrofit
- cUL listed

Specifications

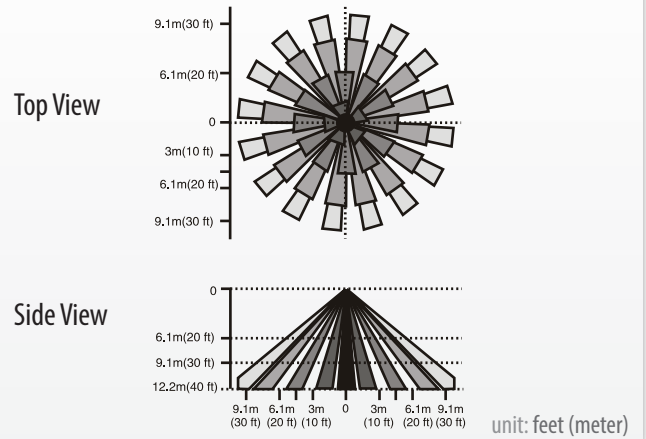
	TL-2052
Technology	PIR
Occupancy/Vacancy	OCC
Coverage (Degrees Sq.Ft)	360° 450
Voltage	120/277/347 VAC
Frequency	50-60 Hz
Load Size	0-800W/0-1200W/0-1500W
Hot Required	Y
Neutral Required	Y
Ground Required	-
LED Indicator	Y
ON/OFF Button	-
Adjustable Sensitivity	Y
Light Harvesting	-
Operation Mode	OCC
Single Pole/2Pole/3-Way	Single Pole
Operating Temp.	0° to 55° C
Size	3.55" H x 3.55" W x 1.57" D
Weight	5 oz
Mounting Height	Up to 30 Ft



Dimensions



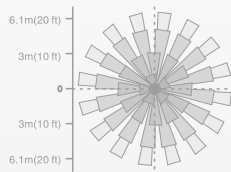
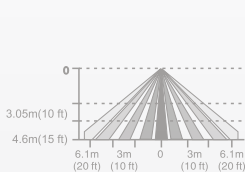
Detection Patterns



You might be interested in:

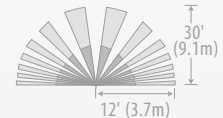
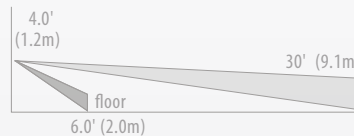
PIR CEILING MOUNT OCCUPANCY SENSORS

Standard Range 360° occupancy sensor which incorporates Passive Infrared (PIR) detection technology into an attractive line powered occupancy sensor that provides amazing sensitivity to small motions and excellent payback.



PIR WALL SWITCH OCCUPANCY SENSORS

Turolight's switch sensors are designed to replace a standard light or fan switch. This device can detect motion from a heat-emitting source (such as a person entering a room) within its field-of-views and automatically turn ON and OFF saving energy and reducing energy bills.



Call now for more information!

Turolight reserves the right to change specifications, modify designs and discontinue items without incurring obligation. Every effort is made to ensure that descriptions, specifications and other information in this data sheet are correct. No warranty is given in respect thereof and the company shall not be liable for any error therein.

© Turolight, Inc.®

This material is copyright. Except as permitted, no part of this work may be reproduced by any process without prior written permission of and acknowledgement to Turolight, Inc.

The identified trademarks and copyrights are the property of Turolight® unless otherwise noted.

You can find this data sheet and many others online in PDF format at:

www.turolight.com

Distributed by:

EFFORTLESS LIGHTING CONTROL



“ A FEW MINUTE RETROFIT FOR A LIFE TIME OF SAVINGS!

Turolight’s switch sensors are designed to replace a standard light or fan switch. This device can detect motion from a heat-emitting source (such as a person entering a room) within its field-of-views and automatically turn ON and OFF saving energy and reducing energy bills. Using Vacancy & Occupancy Sensors can reduce energy consumption by 45+%.



Key Features

- **Designed to work with LED/CFL technology**
- **Self-contained relay**
- **Replaces a standard light or fan single-pole switch**
- Preset time delay
- OFF / OCC / VAC three operation modes*

*OCC: Auto ON / Auto OFF VAC: Auto OFF / Manual ON

Application

- Private Offices
- Conference Rooms
- Break Rooms
- Lounges / Hallways
- Stairways
- Rest Rooms
- Storage Rooms
- Classrooms

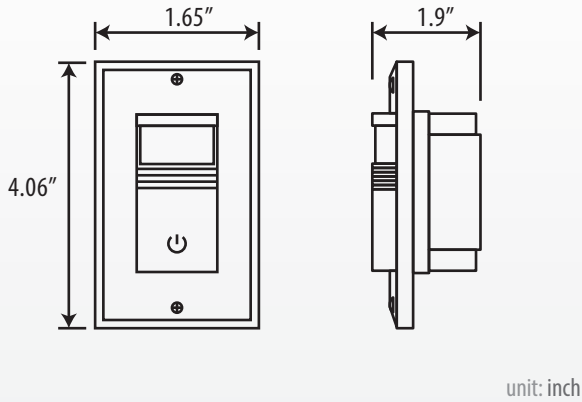
Other information

- Two (2) year limited warranty
- Easy retrofit
- cUL listed

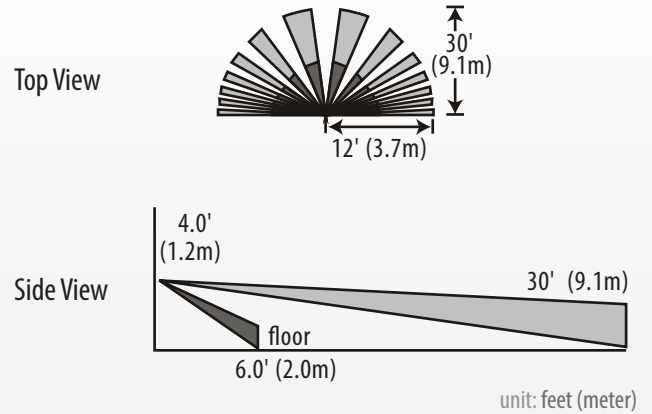
Specifications

	TL-6012	TL-8012
Technology	PIR	PIR
Occupancy/Vacancy	OCC/VAC	OCC/VAC
Coverage (Degrees Sq.Ft)	180° 600	180° 600
Voltage	120/277 VAC	120/277 VAC
Frequency	50-60 Hz	50-60 Hz
Load Size	0-800W/0-1200W	0-800W/0-1200W
Hot Required	Y	Y
Neutral Required	-	Y
Ground Required	Y	Y
LED Indicator	Y	Y
ON/OFF Button	Y	Y
Adjustable Sensitivity	Y	Y
Light Harvesting	Y	Y
Operation Mode	OCC & RESET/VAC	OCC & RESET/VAC
Single Pole/2Pole/3-Way	Single Pole	Single Pole
Operating Temp.	0° to 55° C	0° to 55° C
Size	4.06" H x 1.68" W x 1.90" D	
Weight	5 oz	5 oz
Mounting Height	30" to 48"	30" to 48"

Dimensions



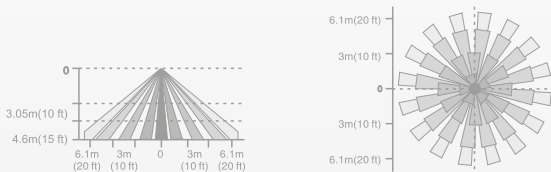
Detection Patterns



You might be interested in:

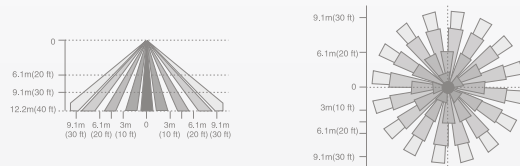
PIR CEILING MOUNT OCCUPANCY SENSORS

Standard Range 360° occupancy sensor which incorporates Passive Infrared (PIR) detection technology into an attractive line powered occupancy sensor that provides amazing sensitivity to small motions and excellent payback.



PIR HIGH BAY FIXTURE MOUNT OCCUPANCY SENSORS

Highly mountable High Bay 360° sensor provides Passive Infrared (PIR) occupancy detection over a 15-20 ft radial coverage pattern that overlaps the areas lit by a typical high bay fixture.



Call now for more information!

Turolight reserves the right to change specifications, modify designs and discontinue items without incurring obligation. Every effort is made to ensure that descriptions, specifications and other information in this data sheet are correct. No warranty is given in respect thereof and the company shall not be liable for any error therein.

© Turolight, Inc.®

This material is copyright. Except as permitted, no part of this work may be reproduced by any process without prior written permission of and acknowledgement to Turolight, Inc.

The identified trademarks and copyrights are the property of Turolight® unless otherwise noted.

You can find this data sheet and many others online in PDF format at:

www.turolight.com

Distributed by: