



# Lamps & Luminaires Catalogue

# 2020

Tel: 905-479-7093 • Toll Free: 1-888-425-7093  
sales@turolight.com • www.turolight.com

D-03V Sep. 2020

## LED LAMPS

Dim to Warm	»	Filament - Aesthetic	»
Low Flicker ST19-High Lumen	»	Low Flicker-A15,A19,B10,ST19,T9	»
Low Flicker-G16.5,G30,G40	»	Filament-T6,T9,T10,T14	»
PS25, PS30, A21 <sup>NEW</sup>	»	A15, A19	»
G9, G4, MR11	»	MR16	»
PAR Lamp	»	BR Lamp	»
T5 - Direct Fit (Shatterprotect, Glass), T5 - Bypass (Shatterprotect)			»
T8 - Direct Fit (Shatterprotect, Glass, Nano, Metric Size)			»
T8 - Bypass (Shatterprotect, Glass, Flicker Free, Dim, 8FT)			»
T8 - Bypass (Nano Sigh Light, Freezer/ Cooler)			»
T8 - Bypass (Full Spectrum R9 >90 CRI>95) <sup>NEW</sup>			»
T8 - Hybrid U Bend	»	PL, PLL, PLS	»
Retrofit 4", 6"			»

## LED LUMINAIRES

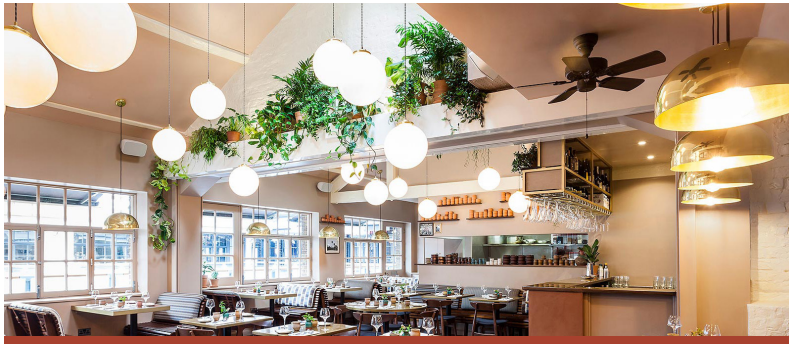
Vapor Tight	»	ECO-COMMERCIAL STRIP <sup>NEW</sup>	»
Connect Strip	»	Wrap Around <sup>NEW</sup>	»
Linear Strip	»	High Bay-Xclusive High Ceiling <sup>NEW</sup>	»
Linear High Bay <sup>NEW</sup>	»	Area Light	»
Wall Pack	»	Cutoff Slim Wall Pack	»
Cutoff Wall Pack	»	Canopy	»
Outdoor Entry Light	»	Slim Flood	»
Stringer Light Set	»	Backlit Panel, Flat Panel <sup>NEW</sup>	»
Centre Basket <sup>NEW</sup>	»	Discus	»
3" Downlight	»	4" Gimbal	»
Slim Panel	»	Commercial Downlight <sup>NEW</sup>	»
Ceiling Dome Light	»	Wall Sconce, Vanity	»
Multi Spotlight	»	Downlight With J-Box	»
Flush Mount (2 Ring, PC)	»	Emergency <sup>NEW</sup>	»
Running Man <sup>NEW</sup>			»

## OTHERS

Multi-Cutout Plat <sup>NEW</sup>	»	T5 High Bay	»
4" Downlight Fixture	»	Electronic Ballast	»
Sensor			»







## VIV-A19, MR16, PAR20/DTW



### Features & Benefits

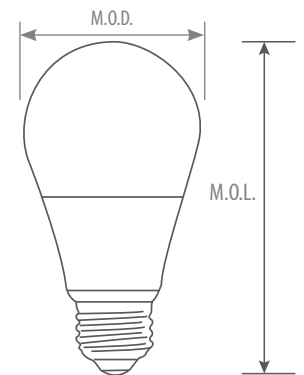
Wider color dimming range from 2200K up to 3000K  
 3 DTW products fit into different fixtures, providing a full range of lighting performance from functional to relaxation

15,000 hour average life  
 High CRI (80+)  
 Damp location rated

### Warranty & Cautions

2-year limited warranty from the date of purchase  
 Operating temperature range between -20°C and +45°C  
 cETL, UL/cUL listed, FCC compliant, RoHS compliant

### Dimensional drawing



### Product Specification

Ordering Code	Model Number	Watts	Replacement Incandescent	Base	Voltage (V)	Hour Rating	Initial Lumens(lm)	CCT(K)	CRI	Damp Location	M.O.D. (inch)	M.O.L. (inch)	Case QTY.
1752000	VIV-A19/DTW/8W/30/22	8	60W	E26	120	15,000	800	2200-3000	80	Y	2.36	4.40	40
1752001	VIV-MR16/DTW/5.5W/30/22/GU10	5.5	50W	GU10	120	15,000	450	2200-3000	80	Y	1.97	2.17	50
1752002	VIV-PAR20/DTW/6.5W/30/22	6.5	50W	E26	120	15,000	500	2200-3000	80	Y	2.47	3.46	50

### Ordering Information Example: VIV-A19/DTW/8W/30/22

LED CLASS	LAMP TYPE	WATTAGE	SPECIAL	CCT (K)	BASE
VIV (Vivid)	A19, MR16, PAR20	5.5W, 6.5W, 8W	DTW (dim to warm)	30/22 (3000K - 2200K)	Blank (E26) Gu10



# LED LAMP

## ARTISAN-AESTHETIC



Dimmable



## A19, B11, ST19, G25

### Features & Benefits

- Each filament design expresses a unique decor experience
- Enhance aesthetics with bulb only
- 125lm/ 250lm replaces 13W/25W traditional filament bulb
- Warm and vintage color temperature (2000K)
- UL/cUL listed, FCC compliant, RoHS compliant

- Dimmable, High CRI (80+)
- 15,000 hour average life span
- Reduces energy consumption up to 70%
- Rated for damp locations and semi-enclosed fixtures

### Applications

Perfect for decorative installations. Hospitality, Restaurants, Residential, Retail etc.

### Product Specification

Ordering Code	Model Number	Product Description	Watts (W)	Replacement Filament	Base	Voltage (V)	Hour Rating	Beam Angle	Initial Lumens (lm)	CCT(K)	CRI	EFA*	Damp LOC.	M.O.L. (inch)	Case QTY.
1771923	AR-A19/S/4.5W/20/D/A	A19 Spiral 4.5W 20K Dimmable Amber	4.5	13W	E26	120	15,000	360	125	2000	80	semi-enclosed	Y	4.17	10/100
1771924	AR-B11/S/4.5W/20/E12/D/A	B11 Spiral 4.5W 20K E12 Dimmable Amber	4.5	13W	E12	120	15,000	360	125	2000	80	semi-enclosed	Y	3.82	10/100
1772905	AR-ST19/M/6.5W/20/D/A	ST19 M- Shape 6.5W Dimmable Amber	6.5	25W	E26	120	15,000	360	250	2000	80	semi-enclosed	Y	5.39	10/80
1772906	AR-G25/DS/6.5W/20/D/A	G25 Double Spiral 6.5W Dimmable Amber	6.5	25W	E26	120	15,000	360	250	2000	80	semi-enclosed	Y	4.69	10/80

\* Enclosed Fixture Application

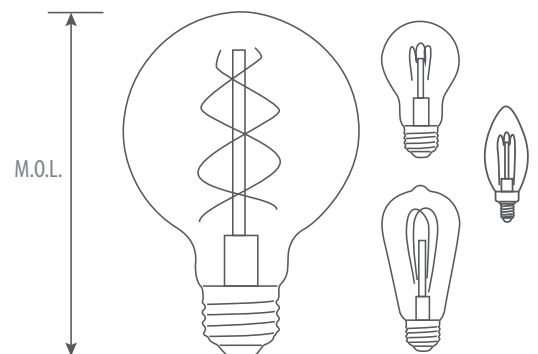
### Warranty & Cautions

- 2-year limited warranty in commercial use from the date of purchase
- Operating temperature range between -20°C and +40°C

### Ordering Information Example: AR-A19/S/4.5W/20/D/A

LED CLASS	LAMP TYPE	LED Chip Shape	WATTAGE	CCT(K)	BASE	DIMMABLE	Glass Color
AR (Artisan)	A19	S (Spiral)	4.5W	20 (2000K)	E12(E12)	D (dimmable)	A (Amber)
	B11	S (Spiral)	4.5W		Blank (E26)		
	ST19	M (M Shape)	6.5W				
	G25	DS (Double Spiral)	6.5W				

### Dimensional drawing





LONGER FILAMENT  
BRIGHTER  
BETTER-LOOKING

# LED LAMP ARTISAN



## AR-ST19LF/HO



### Features & Benefits

- Replaces 60W traditional filament and incandescent
- Longer filament: Brighter and Better-looking
- 15,000 hour life (L70), 330° Beam angle, High CRI (80+)
- Damp location rated

- Clear/ Milky White cover
- Higher lumen output
- Dimmable

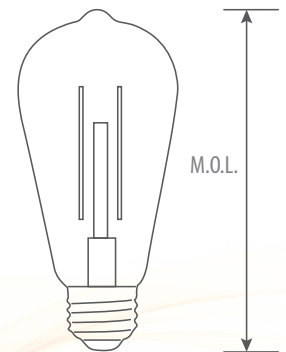
### Warranty & Cautions

- 2-year limited warranty
- Operating temperature range between -20°C and +40°C

### Applications

Suitable for the coffee shop, restaurant, library, and other applications

### Dimensional drawing



### Product Specification

Ordering Code	Model Number	Watts	Replacement Incandescent	Base	Voltage (V)	Hour Rating	Beam Angle	Initial Lumens(lm)	CCT(K)	CRI	Damp Location	M.O.D. (inch)	M.O.L. (inch)	Case QTY.
1771148	AR-ST19LF/SW/27/D/C/HO	5	60W	E26	120	15,000	330°	600	2700	80	Y	2.52	5.39	50
1771220	AR-ST19LF/SW/30/D/C/HO	5	60W	E26	120	15,000	330°	600	3000	80	Y	2.52	5.39	50
1771221	AR-ST19LF/SW/30/D/MW/HO	5	60W	E26	120	15,000	330°	550	3000	80	Y	2.52	5.39	50
1771405	AR-ST19LF/SW/40/D/C/HO	5	60W	E26	120	15,000	330°	600	4000	80	Y	2.52	5.39	50

### Ordering Information Example: AR-ST19LF/SW/27/D/C/HO

LED CLASS	LAMP TYPE	WATTAGE	CCT(K)	DIMMABLE	COVER	Output
AR (Artisan)	ST19LF (Low Flicker)	5W	27 (2700K) 30 (3000K) 40 (4000K)	D (dimmable)	C (Clear) MW (Milky White)	HO (High Lumen Output)





# LED LAMP ARTISAN



A19, B10, ST19, T9 **LOW non visible FLICKER**

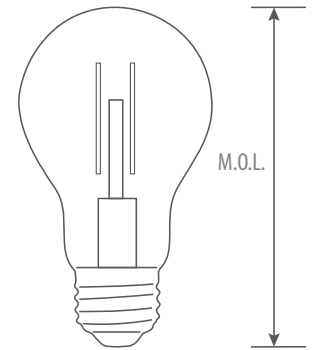


## Features & Benefits

- Reduced flicker down to 10%
- Compare to 6.6% traditional incandescent
  - Far below California T20 standard 30%
  - Significantly improve light quality
  - Optimize eye comfort

- With clear, amber or milky white glass cover
- Dimmable, High CRI (80+)
- 15,000 hour average life span
- Rated for damp locations

## Dimensional drawing



## Warranty & Cautions

2-year limited warranty

Operating temperature range between -20°C and +40°C

## Ordering Information

Example: AR-A19LF/8W/30/D/MW

LED CLASS	LAMP TYPE	WATTAGE	CCT(K)	BASE	DIMMABLE	COVER
AR (Artisan)	A15, A19LF B10LF ST19LF T6LF, T9LF, T14LF	2.5W 4W 5W 8W	22 (2200K) 27 (2700K) 30 (3000K) 40 (4000K)	E12 (E12) Blank (E26)	D (dimmable)	C (Clear) A (Amber) MW (Milky White)

## Product Specification

Ordering Code	Model Number	Product Description	Watts (W)	Replacement Filament	Replacement Incandescent	Base	Voltage (V)	Hour Rating	Beam Angle	Initial Lumens (lm)	CCT(K)	CRI	Damp LOC.	M.O.L. (inch)	Case QTY.
1771209	AR-A15LF/5W/30/D/C	A15 Low Flicker 5W 30K Dimmable Clear	5	-	40W	E26	120	15,000	330°	500	3000	80	Y	3.54	40
1771210	AR-A15LF/5W/30/D/F	A15 Low Flicker 5W 30K Dimmable Frost	5	-	40W	E26	120	15,000	330°	450	3000	80	Y	3.54	40
1772110	AR-A19LF/8W/27/D/C	A19 Low Flicker 8W 27K Dimmable Clear	8	-	60W	E26	120	15,000	330°	800	2700	80	Y	4.29	40
1772202	AR-A19LF/8W/30/D/C	A19 Low Flicker 8W 30K Dimmable Clear	8	-	60W	E26	120	15,000	330°	800	3000	80	Y	4.29	40
1772205	AR-A19LF/8W/30/D/MW	A19 Low Flicker 8W 30K Dimmable Milky white	8	-	60W	E26	120	15,000	330°	750	3000	80	Y	4.29	40
1771141	AR-B10LF/4W/27/E12/D/C	B10 Low Flicker 4W 27K E12 Dimmable Clear	4	-	40W	E12	120	15,000	330°	300	2700	80	Y	3.78	50
1771203	AR-B10LF/4W/30/E12/D/C	B10 Low Flicker 4W 30K E12 Dimmable Clear	4	-	40W	E12	120	15,000	330°	300	3000	80	Y	3.78	50
1771211	AR-B10LF/4W/30/E12/D/MW	B10 Low Flicker 4W 30K E12 Dimmable Milky white	4	-	40W	E12	120	15,000	330°	280	3000	80	Y	3.78	50
1771403	AR-B10LF/4W/40/E12/D/C	B10 Low Flicker 4W 40K E12 Dimmable Clear	4	-	40W	E12	120	15,000	330°	300	4000	80	Y	3.78	50
1771925	AR-B10LF/4W/22/E12/D/A	B10 Low Flicker 4W 22K E12 Dimmable Amber	4	40W	-	E12	120	15,000	330°	250	2200	80	Y	3.78	50
1771142	AR-B10LF/4W/27/D/C	B10 Low Flicker 4W 27K E26 Dimmable Clear	4	-	40W	E26	120	15,000	330°	300	2700	80	Y	3.78	50
1772111	AR-ST19LF/5W/27/D/C	ST19 Low Flicker 5W 27K Dimmable Clear	5	-	60W	E26	120	15,000	330°	500	2700	80	Y	5.39	20
1772203	AR-ST19LF/5W/30/D/C	ST19 Low Flicker 5W 30K Dimmable Clear	5	-	60W	E26	120	15,000	330°	500	3000	80	Y	5.39	20
1771404	AR-ST19LF/5W/40/D/C	ST19 Low Flicker 5W 40K Dimmable Clear	5	-	60W	E26	120	15,000	330°	500	4000	80	Y	5.39	20
1771214	AR-ST19LF/5W/30/D/MW	ST19 Low Flicker 5W 30K Dimmable Milky white	5	-	60W	E26	120	15,000	330°	450	3000	80	Y	5.39	20
1772908	AR-ST19LF/5W/22/D/A	ST19 Low Flicker 5W 22K Dimmable Amber	5	60W	-	E26	120	15,000	330°	400	2200	80	Y	5.39	20
1771205	AR-T6LF/2.5W/30/E12/D/C	T6 Low Flicker 2.5W 30K E12 Dimmable Clear	2.5	-	25W	E12	120	15,000	330°	200	3000	80	Y	3.84	50
1771140	AR-T9LF/4W/27/D/C	T9 Low Flicker 4W 27K Dimmable Clear	4	-	40W	E26	120	15,000	330°	350	2700	80	Y	5.71	50
1771206	AR-T9LF/4W/30/D/C	T9 Low Flicker 4W 30K Dimmable Clear	4	-	40W	E26	120	15,000	330°	350	3000	80	Y	5.71	50
1771207	AR-T14LF/5W/30/D/C	T14 Low Flicker 5W 30K Dimmable Clear	5	-	60W	E26	120	15,000	330°	500	3000	80	Y	4.15	50





# LED LAMP ARTISAN



G16.5, G30, G40

**LOW**  
non visible  
**FLICKER**



## Features & Benefits

Reduced flicker down to 10%

- Compare to 6.6% traditional incandescent
- Far below California T20 standard 30%
- Significantly improve light quality
- Optimize eye comfort

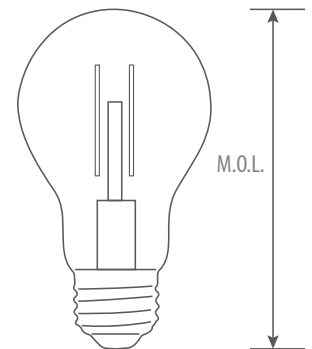
With clear, amber or milky white glass cover

Dimmable, High CRI (80+)

15,000 hour average life span

Rated for damp locations

## Dimensional drawing



## Warranty & Cautions

2-year limited warranty

Operating temperature range between -20°C and +40°C

## Ordering Information

Example: AR-A19LF/8W/30/D/MW

LED CLASS	LAMP TYPE	WATTAGE	CCT(K)	BASE	DIMMABLE	COVER
AR (Artisan)	G16.5LF G30LF G40LF	4W 5W	22 (2200K) 27 (2700K) 30 (3000K)	E12 (E12) Blank (E26)	D (dimmable)	C (Clear) A (Amber) MW (Milky White)

## Product Specification

Ordering Code	Model Number	Product Description	Watts (W)	Replacement Filament	Replacement Incandescent	Base	Voltage (V)	Hour Rating	Beam Angle	Initial Lumens (lm)	CCT(K)	CRI	Damp LOC.	M.O.L. (inch)	Case QTY.
1771146	AR-G16.5LF/4W/27/E12/D/C	G16.5 Low Flicker 4W 27K E12 Dimmable Clear	4	-	40W	E12	120	15,000	330°	350	2700	80	Y	3.31	50
1771208	AR-G16.5LF/4W/30/E12/D/C	G16.5 Low Flicker 4W 30K E12 Dimmable Clear	4	-	40W	E12	120	15,000	330°	350	3000	80	Y	3.31	50
1771212	AR-G16.5LF/4W/30/E12/D/MW	G16.5 Low Flicker 4W 30K E12 Dimmable Milky white	4	-	40W	E12	120	15,000	330°	300	3000	80	Y	3.31	50
1771147	AR-G30LF/5W/27/D/C	G30 Low Flicker 5W 27K Dimmable Clear	5	-	50W	E26	120	15,000	330°	500	2700	80	Y	5.28	40
1771215	AR-G30LF/5W/30/D/C	G30 Low Flicker 5W 30K Dimmable Clear	5	-	50W	E26	120	15,000	330°	500	3000	80	Y	5.28	40
1771216	AR-G30LF/5W/30/D/MW	G30 Low Flicker 5W 30K Dimmable Milky White	5	-	50W	E26	120	15,000	330°	450	3000	80	Y	5.28	40
1771217	AR-G40LF/4W/30/D/C	G40 Low Flicker 4W 30K Dimmable Clear	4	-	40W	E26	120	15,000	330°	350	3000	80	Y	6.77	8
1771218	AR-G40LF/4W/30/D/MW	G40 Low Flicker 4W 30K Dimmable Milky White	4	-	40W	E26	120	15,000	330°	320	3000	80	Y	6.77	8
1771927	AR-G40LF/4W/22/D/A	G40 Low Flicker 4W 22K Dimmable Amber	4	40W	-	E26	120	15,000	330°	300	2200	80	Y	6.77	8



# LED LAMP ARTISAN



T10 Long



T10



T6

T14

T9



## AR-T6LF, AR-T9LF, AR-T14LF, AR-T10

### Features & Benefits

Reduced flicker down to 10%

- Compare to 6.6% traditional incandescent
- Far below California T20 standard 30%
- Significantly improve light quality
- Optimize eye comfort

\* For applicable models, see product specification below

With clear, amber glass cover

Dimmable, High CRI (80+)

25,000 hour average life span\*, Beam angle 330°\*

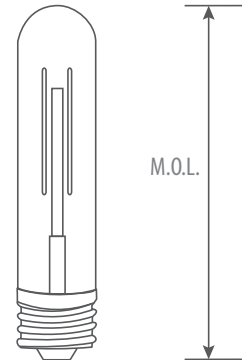
Rated for damp locations

### Warranty & Cautions

15,000hrs: 2-year; 25,000hrs: 3-year limited warranty

Operating temperature range between -20°C and +40°C

### Dimensional drawing



### Product Specification

Ordering Code	Model Number	Watts	Replacement Filament	Replacement Incandescent	Base	Voltage (V)	Hour Rating	Beam Angle°	Initial Lumens(lm)	CCT(K)	CRI	Damp Location	M.O.L. (inch)	Case QTY.
1771219	AR-T6LF/5W/30/E12/D/C	5	-	50W	E12	120	15,000	330	500	3000	80	Y	3.84	50
1771205	AR-T6LF/2.5W/30/E12/D/C	2.5	-	25W	E12	120	15,000	330	200	3000	80	Y	3.84	50
1771140	AR-T9LF/4W/27/D/C	4	-	40W	E26	120	15,000	330	350	2700	80	Y	5.71	50
1771206	AR-T9LF/4W/30/D/C	4	-	40W	E26	120	15,000	330	350	3000	80	Y	5.71	50
1771207	AR-T14LF/5W/30/D/C	5	-	60W	E26	120	15,000	330	500	3000	80	Y	4.17	50
1772204	AR-T10/8W/30/D/C/L**	8	-	-	E26	120	20,000	330	750	3000	80	Y	11.9	100
1771907	AR-T10/5W/22/D/A**	5	60W	-	E26	120	15,000	320	400	2200	80	Y	4.96	72

\*\* AR-T10 are not the low flicker items

### Ordering Information Example: AR-T6LF/5W/30/E12/D/C

LED CLASS	LAMP TYPE	WATTAGE	CCT(K)	BASE	DIMMABLE	COVER	OTHERS
AR (Artisan)	T6LF (T6 Low Flicker) T9LF (T9 Low Flicker) T14LF (T14 Low Flicker) T10	2.5W 4W 5W 8W	22 (2200K) 27 (2700K) 30 (3000K)	E12 (Base E12) Blank (Base E26)	D (dimmable)	C (Clear) A (Amber)	L (Long Size)



# LED LAMP

## VIVID Series



A21



A21 3WAY

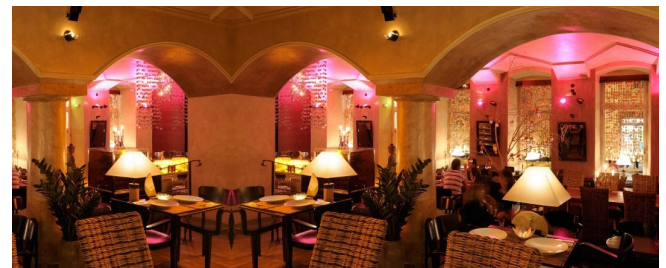


PS25 E26



PS30 EX39

### VIV-PS25, VIV-PS30, VIV-A21



### Features & Benefits

Energy Star listed, DLC listed for PS30

High lumen output

Damp location rated

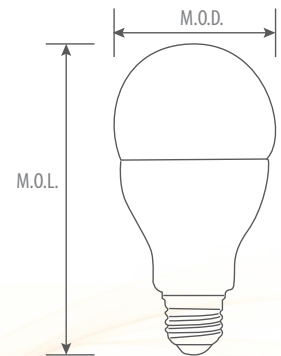
\* For applicable models, see product specification below

Beam angle 230°

Enclosed fixture application, Dimmable\*

High CRI (90+)\*

### Dimensional drawing



### Warranty & Cautions

15,000hrs: 2-year; 25,000hrs: 3-year; 50,000hrs: 5-year limited warranty

Operating temperature range between -40°C and +40°C

### Product Specification

Ordering Code	Energy Star / DLC	Model Number	Watts	Base	Voltage (V)	Hour Rating	Beam Angle	Initial Lumens(lm)	CCT(K)	CRI	Enclosed Fixture Application	Damp Location	Dimmable	M.O.D. (inch)	M.O.L. (inch)	Case QTY.
1754406	ES	VIV-PS25/27W/40/E26	27	E26	120-277	25,000	230°	3200	4000	80	Y	Y	N	3.23	6.73	40
1755404	DLC	VIV-PS30/36W/40/EX39	36	EX39	120-277	50,000	230°	5000	4000	80	Y	Y	N	3.74	7.28	40
1764210	ES	VIV-A21/23W/30/D	23	E26	120	15,000	230°	2550	3000	80	Y	Y	Y	2.63	4.8	40
1753200	ES	VIV-A21/190/18W/30/D	18	E26	120	25,000	230°	2000	3000	90	Y	Y	Y	2.63	4.8	40
1763232	ES	VIV-A21/3WAY/15W/27/D	15/10/5	E26	120	15,000	230°	1600/1100/600	2700	80	Y	Y	Y	2.63	4.8	40



# LED LAMP

## VIVID Series



### VIV-A15

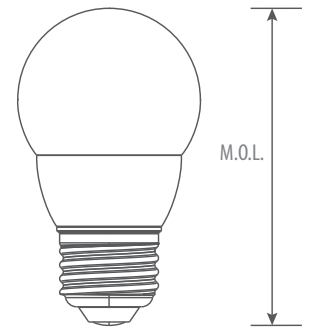


#### Features & Benefits

5.5W replaces 40W incandescent  
6W replaces 50W incandescent  
High CRI (80+), dimmable

Enclosed fixture application for 5.5W  
Damp location approved

#### Dimensional drawing



#### Warranty & Cautions

3-year limited warranty

Operating temperature range between -20°C and +40°C

UL/cUL listed, FCC compliant, RoHS compliant

#### Product Specification

Ordering Code	Energy Star	Model Number	Watts	Replacement Incandescent	Base	Voltage (V)	Hour Rating	Beam Angle	Initial Lumens(lm)	CCT(K)	CRI	Enclosed Fixture Application	Damp LOC.	M.O.L. (inch)	Case QTY.
1752105	Y	VIV-A15/5.5W/27/D/F	5.5	40W	E26	120	25,000	220°	450	2700	80	Y	Y	3.3	100
1752219	Y	VIV-A15/5.5W/30/D/F	5.5	40W	E26	120	25,000	220°	450	3000	80	Y	Y	3.3	100
1752210	-	VIV-A15/6W/30/D/F	6	50W	E26	120	15,000	180°	500	3000	80	-	Y	3.3	50
1752405	-	VIV-A15/6W/40/D/F	6	50W	E26	120	15,000	180°	500	4000	80	-	Y	3.3	50
1762734	-	VIV-A15/6W/27/D/F	6	50W	E26	120	15,000	180°	500	2700	80	-	Y	3.3	50



#### Ordering Information Example: VIV-A15/6W/27/D/F

LED CLASS	LAMP TYPE	WATTAGE	CCT(K)	DIMMABLE	FROST
VIV (Vivid)	A15	5.5W 6W	27 (2700K) 30 (3000K) 40 (4000K)	D (dimmable)	F (Frost)





# LED LAMP

## VIVID Series

### VIV-A19/X18



#### Features & Benefits

Energy Star listed

15W replaces 100W incandescent  
 11W replaces 75W incandescent  
 9W replaces 60W incandescent  
 6W replaces 40W incandescent

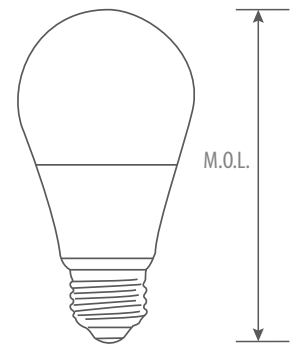
High CRI (80+), dimmable

25,000 hour average life

Enclosed fixture application

Damp location approved

#### Dimensional drawing



#### Warranty & Cautions

3-year limited warranty

Operating temperature range between -40°C and +45°C

UL/cUL listed, FCC compliant, RoHS compliant

#### Product Specification

Ordering Code	ES	Model Number	Watts	Replacement Incandescent	Base	Voltage (V)	Hour Rating	Beam Angle	Initial Lumens(lm)	CCT(K)	CRI	Enclosed Fixture Application	Damp LOC.	M.O.L. (inch)	Case QTY.
1762021	Y	VIV-A19/X18/15W/27/D	15	100W	E26	120	25,000	220°	1600	2700	80	Y	Y	4.9	40
1762797	Y	VIV-A19/X18/15W/30/D	15	100W	E26	120	25,000	220°	1600	3000	80	Y	Y	4.9	40
1762879	Y	VIV-A19/X18/15W/40/D	15	100W	E26	120	25,000	220°	1600	4000	80	Y	Y	4.9	40
1762549	Y	VIV-A19/X18/15W/50/D	15	100W	E26	120	25,000	220°	1600	5000	80	Y	Y	4.9	40
1762798	Y	VIV-A19/X18/11W/30/D	11	75W	E26	120	25,000	220°	1100	3000	80	Y	Y	4.4	40
1762880	Y	VIV-A19/X18/11W/40/D	11	75W	E26	120	25,000	220°	1100	4000	80	Y	Y	4.4	40
1762019	Y	VIV-A19/X18/9W/27/D	9	60W	E26	120	25,000	220°	800	2700	80	Y	Y	4.4	40
1762799	Y	VIV-A19/X18/9W/30/D	9	60W	E26	120	25,000	220°	800	3000	80	Y	Y	4.4	40
1762881	Y	VIV-A19/X18/9W/40/D	9	60W	E26	120	25,000	220°	800	4000	80	Y	Y	4.4	40
1762550	N	VIV-A19/X18/9W/50/D	9	60W	E26	120	25,000	220°	800	5000	80	Y	Y	4.4	40
1762020	Y	VIV-A19/X18/6W/27/D	6	40W	E26	120	25,000	220°	450	2700	80	Y	Y	4.2	40
1762700	Y	VIV-A19/X18/6W/30/D	6	40W	E26	120	25,000	220°	450	3000	80	Y	Y	4.2	40
1762882	Y	VIV-A19/X18/6W/40/D	6	40W	E26	120	25,000	220°	450	4000	80	Y	Y	4.2	40

#### Ordering Information Example: VIV-A19/X18/15W/27/D

LED CLASS	LAMP TYPE	SERIES	WATTAGE	CCT(K)	DIMMABLE
VIV (Vivid)	A19	X18	15W	50 (5000K) 40 (4000K) 30 (3000K) 27 (2700K)	D (dimmable) Blank (non dimmable)



# LED LAMP

## PURE VISION

### PV-A19

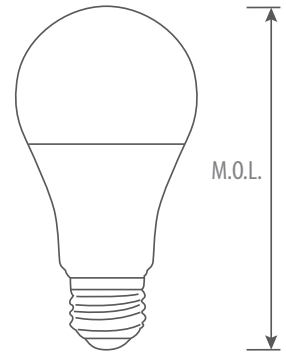


#### Features & Benefits

Energy Star listed\*, Dimmable\*  
 15,000 hour average life  
 High CRI (80+)

Enclosed fixture application\*  
 Damp location approved

#### Dimensional drawing



#### Warranty & Cautions

2-year limited warranty  
 Operating temperature range between -40°C and +45°C  
 UL/cUL listed, FCC compliant, RoHS compliant

#### Ordering Information

LED CLASS	LAMP TYPE	WATTAGE	CCT(K)
PV (Pure Vision)	A19 A19/I8 A19/X2	6W, 8.5W, 9W 10W, 12W	50 (5000K), 40 (4000K) 35 (3500K), 30 (3000K) 27 (2700K)

#### Product Specification

Ordering Code	ES	Model Number	Watts	Replacement Incandescent	Base	Voltage (V)	Hour Rating	Beam Angle	Initial Lumens(lm)	CCT(K)	CRI	Enclosed Fixture Application	Damp LOC.	M.O.L. (inch)	Case QTY.
PV-A19 (Dimmable)															
1732218	Y	PV-A19/9W/30/D	9	60W	E26	120	15,000	220°	800	3000	80	Y	Y	4.3	40
1732417	Y	PV-A19/9W/40/D	9	60W	E26	120	15,000	220°	800	4000	80	Y	Y	4.3	40
PV-A19 (Non dimmable)															
1732114	N	PV-A19/I8/8.5W/27	8.5	60W	E26	120	15,000	220°	800	2700	80	Y	Y	4.3	40
1732219	N	PV-A19/I8/8.5W/30	8.5	60W	E26	120	15,000	220°	800	3000	80	Y	Y	4.3	40
1732418	N	PV-A19/I8/8.5W/40	8.5	60W	E26	120	15,000	220°	800	4000	80	Y	Y	4.3	40
1732517	N	PV-A19/I8/8.5W/50	8.5	60W	E26	120	15,000	220°	800	5000	80	Y	Y	4.3	40
1732111	Y	PV-A19/X2/12W/27	12	75W	E26	120	15,000	220°	1100	2700	80	Y	Y	4.3	40
1732212	Y	PV-A19/X2/12W/30	12	75W	E26	120	15,000	220°	1100	3000	80	Y	Y	4.3	40
1732412	Y	PV-A19/X2/12W/40	12	75W	E26	120	15,000	220°	1100	4000	80	Y	Y	4.3	40
1732512	Y	PV-A19/X2/12W/50	12	75W	E26	120	15,000	220°	1100	5000	80	Y	Y	4.3	40
1732110	Y	PV-A19/10W/27	10	60W	E26	120	15,000	220°	800	2700	80	Y	Y	4.3	40
1732210	Y	PV-A19/10W/30	10	60W	E26	120	15,000	220°	800	3000	80	Y	Y	4.3	40
1732305	Y	PV-A19/10W/35	10	60W	E26	120	15,000	220°	800	3500	80	Y	Y	4.3	40
1732410	Y	PV-A19/10W/40	10	60W	E26	120	15,000	220°	800	4000	80	Y	Y	4.3	40
1732507	Y	PV-A19/10W/50	10	60W	E26	120	15,000	220°	800	5000	80	Y	Y	4.3	40
1732213	Y	PV-A19/6W/30	6	40W	E26	120	15,000	220°	450	5000	80	Y	Y	4.3	40



# LED LAMP

## VIVID Series

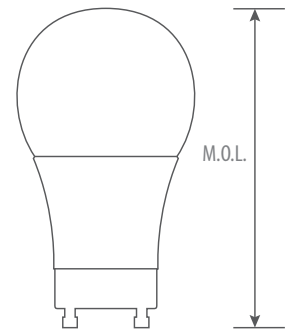


### VIV-A19/---/GU

#### Features & Benefits

Energy Star listed	25,000 hour average life
8W replaces 60W incandescent	Enclosed fixture application
High CRI (80+), dimmable	Damp location approved

#### Dimensional drawing



#### Warranty & Cautions

3-year limited warranty
Operating temperature range between -20°C and +45°C
UL/cUL listed, FCC compliant, RoHS compliant

#### Product Specification

Ordering Code	ES	Model Number	Watts	Replacement Incandescent	Base	Voltage (V)	Hour Rating	Beam Angle	Initial Lumens(lm)	CCT(K)	CRI	Enclosed Fixture Application	Damp LOC.	M.O.L. (inch)	Case QTY.
1762197	Y	VIV-A19/8W/27/D/GU	8	60W	GU24	120	25,000	235°	800	2700	80	Y	Y	4.17	40
1762766	Y	VIV-A19/8W/30/D/GU	8	60W	GU24	120	25,000	235°	800	3000	80	Y	Y	4.17	40
1762844	Y	VIV-A19/8W/40/D/GU	8	60W	GU24	120	25,000	235°	800	4000	80	Y	Y	4.17	40
1762528	Y	VIV-A19/8W/50/D/GU	8	60W	GU24	120	25,000	235°	800	5000	80	Y	Y	4.17	40

#### Ordering Information Example: VIV-A19/8W/27/D/GU

LED CLASS	LAMP TYPE	WATTAGE	CCT(K)	DIMMABLE	BASE
VIV (Vivid)	A19	8W	50 (5000K) 40 (4000K) 30 (3000K) 27 (2700K)	D (dimmable) Blank (non dimmable)	GU (GU24)



# LED LAMP

## PURE VISION

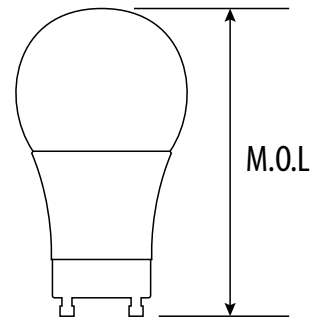


### PV-A19 (Base GU24)

#### Features & Benefits

Energy Star listed, Dimmable	Enclosed fixture application
15,000 hour average life	Damp location approved
High CRI (80+)	Beam angle 230°

#### Dimensional drawing



#### Warranty & Cautions

2-year limited warranty
Operating temperature range between -40°C and +40°C
UL/cUL listed, FCC compliant, RoHS compliant

#### Product Specification

ES	Model Number	Watts	Replacement Incandescent	Base	Voltage (V)	Hour Rating	Beam Angle	Initial Lumens(lm)	CCT(K)	CRI	Enclosed Fixture Application	Damp LOC.	M.O.L. (inch)	Case QTY.
Y	PV-A19/9.5W/27/D/GU	9.5	60W	GU24	120	15,000	230°	800	2700	80	Y	Y	4.17	40
Y	PV-A19/9.5W/30/D/GU	9.5	60W	GU24	120	15,000	230°	800	3000	80	Y	Y	4.17	40
Y	PV-A19/9.5W/40/D/GU	9.5	60W	GU24	120	15,000	230°	800	4000	80	Y	Y	4.17	40
Y	PV-A19/9.5W/50/D/GU	9.5	60W	GU24	120	15,000	230°	800	5000	80	Y	Y	4.17	40

#### Ordering Information Example: PV-A19/9.5W/27/D/GU

LED CLASS	LAMP TYPE	WATTAGE	CCT(K)	Dimmable	Base
PV	A19	9.5W	27 (2700K)	D(Dimmable)	GU (GU24)

(Pure Vision)





## VIV-G9, VIV-G4, VIV-MR11



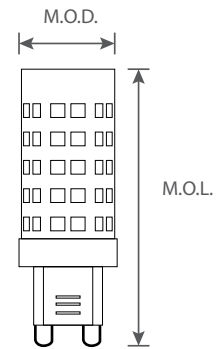
### Features & Benefits

High lumen design	25,000 hour average life*
High CRI ≥80	Enclosed luminaires application*
cETL listed, FCC compliant, RoHS compliant	Damp location approved*
Dimmable, except MR11	* For applicable models, see product specification below

### Warranty & Cautions

15,000hrs: 2-year; 25,000hrs: 3-year limited warranty
Operating temperature range between -20°C and +40°C

### Dimensional drawing



### Product Specification

Ordering Code	Model Number	Watts	Replacement Halogen	Base	Voltage (V)	Hour Rating	Beam Angle	Initial Lumens(lm)	CCT(K)	CRI	Enclosed Fixture	Damp Location	M.O.D. (inch)	M.O.L. (inch)	Case QTY.
1751100	VIV-G9/4W/27/D	4	45W	G9	120	25,000	330°	450	2700	80	Y	Y	0.77	2.16	100
1751200	VIV-G9/4W/30/D	4	45W	G9	120	25,000	330°	450	3000	80	Y	Y	0.77	2.16	100
1751400	VIV-G9/4W/40/D	4	45W	G9	120	25,000	330°	450	4000	80	Y	Y	0.77	2.16	100
1751201	VIV-G4/2.5W/30/D	2.5	30W	G4	12	15,000	360°	300	3000	80	N	N	0.52	1.7	100
1751403	VIV-G4/2.5W/40/D	2.5	30W	G4	12	15,000	360°	300	4000	80	N	N	0.52	1.7	100
1761244	VIV-MR11/3W/30/FL/GU4	3	20W	GU4	12	25,000	30°	200	3000	80	Y	Y	-	1.5	100

### Ordering Information Example: VIV-G9/4W/27/D

LED CLASS	LAMP TYPE	WATTAGE	CCT (K)	DIMMABLE	COVER
VIV (Vivid)	G9	4W (G9)	27 (2700K)	D (dimmable)	FL (Flood)
	G4	2.5W (G4)	30 (3000K)		
	MR11	3W (MR11)	40 (4000K)		



# LED LAMP

## VASO Series



### VASO-MR16

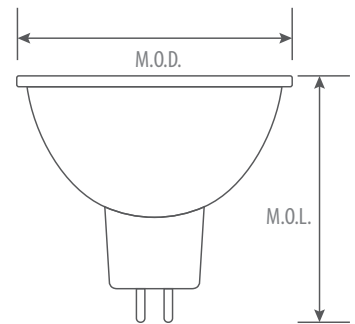


#### Features & Benefits

Energy Star listed*	25,000 hour average life*
Glass Housing	Enclosed fixture application*
High CRI (80+), dimmable	Damp location approved

\* For applicable models, see product specification below

#### Dimensional drawing



#### Warranty & Cautions

15,000hrs: 2-year; 25,000hrs: 3-year limited warranty
Operating temperature range between -40°C and +40°C (GU10), -20°C and +45°C (GU5.3)
cETL listed for GU5.3, cUL listed for GU10

#### Product Specification

Ordering Code	ES	Model Number	Watts	Replacement Incandescent	Base	Voltage (V)	Hour Rating	Beam Angle	Initial Lumens(lm)	CCT(K)	CRI	C.B.C.P	Enclosed Fixture Application	Damp LOC.	M.O.D. (inch)	M.O.L. (inch)	Case QTY.
1751202	-	VASO-MR16/5W/30/WFL40/GU10/D	5	50W	GU10	120	15,000	40°	500	3000	80	680	-	Y	1.97	2.11	100
1751402	-	VASO-MR16/5W/40/WFL40/GU10/D	5	50W	GU10	120	15,000	40°	500	4000	80	680	-	Y	1.97	2.11	100
1762038	Y	VASO-MR16/7W/30/WFL40/GU10/D	7	50W	GU10	120	25,000	40°	520	3000	80	895	Y	Y	1.97	2.20	100
1762894	Y	VASO-MR16/7W/40/WFL40/GU10/D	7	50W	GU10	120	25,000	40°	520	4000	80	895	Y	Y	1.97	2.20	100
1762198	Y	VASO-MR16/6W/27/FL35/GU5.3/D	6	40W	GU5.3	12	25,000	35°	450	2700	80	877	Y	Y	1.97	1.8	50
1762760	Y	VASO-MR16/6W/30/FL35/GU5.3/D	6	40W	GU5.3	12	25,000	35°	450	3000	80	877	Y	Y	1.97	1.8	50
1762847	Y	VASO-MR16/6W/40/FL35/GU5.3/D	6	40W	GU5.3	12	25,000	35°	450	4000	80	877	Y	Y	1.97	1.8	50



VASO-MR16/5W/GU10



VASO-MR16/7W/GU10

#### Ordering Information Example: VASO-MR16/6W/27/FL35/GU5.3/D

LED CLASS	LAMP TYPE	WATTAGE	CCT(K)	BEAM ANGLE	BASE	DIMMABLE
VASO	MR16	5W 6W 7W	27 (2700K) 30 (3000K) 40 (4000K)	FL35 (35°) WFL40 (40°)	GU5.3 GU10	D (dimmable) Blank (non dimmable)



# LED LAMP

## VIVID Series



### VIV-MR16



#### Features & Benefits

- Energy Star listed
- 25,000 hour average life
- 7W/6.5W replaces 50W/40W incandescent
- Damp location approved
- High CRI (80+), dimmable

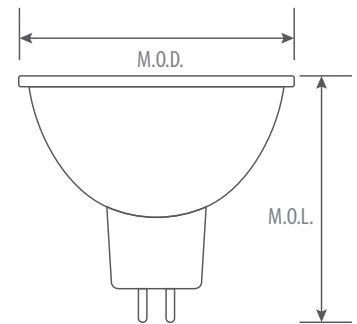
#### Warranty & Cautions

- 3-year limited warranty
- Operating temperature range between -20°C and +45°C

#### Ordering Information Example: VIV-MR16/6.5W/27/WFL35/JDR/S/D

LED CLASS	LAMP TYPE	WATTAGE	CCT(K)	BEAM ANGLE	BASE	NECK LENGTH	DIMMABLE
VIV (Vivid)	MR16 MR16/T3	7W 6W, 6.5W	50 (5000K) 40 (4000K) 30 (3000K) 27 (2700K)	WFL40 (40°) WFL35 (35°) FL25 (25°)	JDR (E26) GU10 GUS.3	L (Long) S (Short)	D (dimmable) Blank (non dimmable)

#### Dimensional drawing



#### Product Specification

Ordering Code	ES	Model Number	Watts	Replacement Incandescent	Base	Voltage (V)	Hour Rating	Beam Angle	Initial Lumens(lm)	CCT(K)	CRI	C.B.C.P	Enclosed Fixture Application	Damp LOC.	M.O.D. (inch)	M.O.L. (inch)	Case QTY.
1752202	Y	VIV-MR16/T3/7W/30/WFL40/GU5.3/D	7	50W	GU5.3	12	25,000	40°	500	3000	80	1251	-	Y	1.97	1.8	100
1752402	N	VIV-MR16/T3/7W/40/WFL40/GU5.3/D	7	50W	GU5.3	12	25,000	40°	500	4000	80	1251	-	Y	1.97	1.8	100
1752203	Y	VIV-MR16/T3/6W/30/WFL40/GU10/D	6	40W	GU10	120	25,000	40°	455	3000	83	1442	-	Y	1.89	2.05	50
1762013	N	VIV-MR16/6.5W/27/FL25/GU10/D	6.5	40W	GU10	120	25,000	25°	480	2700	80	1442	-	Y	1.97	2.17	50
1762787	Y	VIV-MR16/6.5W/30/FL25/GU10/D	6.5	40W	GU10	120	25,000	25°	480	3000	80	1442	-	Y	1.97	2.17	50
1762870	N	VIV-MR16/6.5W/40/FL25/GU10/D	6.5	40W	GU10	120	25,000	25°	480	4000	80	1495	-	Y	1.97	2.17	50
1762014	N	VIV-MR16/6.5W/27/WFL35/GU10/D	6.5	40W	GU10	120	25,000	35°	480	2700	80	1080	-	Y	1.97	2.17	50
1762788	Y	VIV-MR16/6.5W/30/WFL35/GU10/D	6.5	40W	GU10	120	25,000	35°	480	3000	80	1080	-	Y	1.97	2.17	50
1762871	Y	VIV-MR16/6.5W/40/WFL35/GU10/D	6.5	40W	GU10	120	25,000	35°	480	4000	80	1168	-	Y	1.97	2.17	50
1762009	N	VIV-MR16/6.5W/27/FL25/JDR/S/D	6.5	40W	E26	120	25,000	25°	500	2700	80	1495	-	Y	1.97	2.28	50
1762789	N	VIV-MR16/6.5W/30/FL25/JDR/S/D	6.5	40W	E26	120	25,000	25°	500	3000	80	1495	-	Y	1.97	2.28	50
1762872	N	VIV-MR16/6.5W/40/FL25/JDR/S/D	6.5	40W	E26	120	25,000	25°	500	4000	80	1495	-	Y	1.97	2.28	50
1762010	N	VIV-MR16/6.5W/27/WFL35/JDR/S/D	6.5	40W	E26	120	25,000	35°	500	2700	80	1080	-	Y	1.97	2.28	50
1762790	N	VIV-MR16/6.5W/30/WFL35/JDR/S/D	6.5	40W	E26	120	25,000	35°	500	3000	80	1080	-	Y	1.97	2.28	50
1762873	N	VIV-MR16/6.5W/40/WFL35/JDR/S/D	6.5	40W	E26	120	25,000	35°	500	4000	80	1080	-	Y	1.97	2.28	50
1762544	N	VIV-MR16/6.5W/50/WFL35/JDR/S/D	6.5	40W	E26	120	25,000	35°	500	5000	80	1080	-	Y	1.97	2.28	50
1762011	N	VIV-MR16/6.5W/27/FL25/JDR/L/D	6.5	40W	E26	120	25,000	25°	480	2700	80	1442	-	Y	1.97	2.84	50
1762791	Y	VIV-MR16/6.5W/30/FL25/JDR/L/D	6.5	40W	E26	120	25,000	25°	480	3000	80	1442	-	Y	1.97	2.84	50
1762874	N	VIV-MR16/6.5W/40/FL25/JDR/L/D	6.5	40W	E26	120	25,000	25°	480	4000	80	1495	-	Y	1.97	2.84	50
1762012	Y	VIV-MR16/6.5W/27/WFL35/JDR/L/D	6.5	40W	E26	120	25,000	35°	480	2700	80	1080	-	Y	1.97	2.84	50
1762792	Y	VIV-MR16/6.5W/30/WFL35/JDR/L/D	6.5	40W	E26	120	25,000	35°	480	3000	80	1080	-	Y	1.97	2.84	50
1762875	Y	VIV-MR16/6.5W/40/WFL35/JDR/L/D	6.5	40W	E26	120	25,000	35°	480	4000	80	1168	-	Y	1.97	2.84	50



# LED LAMP

## HD Series

### HD-MR16



#### Features & Benefits

Energy Star listed, 25,000 hour average life

Suitable for enclosed fixtures

Dimmable, High CRI (90+)\*

Damp location rated

\* For applicable models, see product specification below

#### Warranty & Cautions

3-year limited warranty from the date of purchase

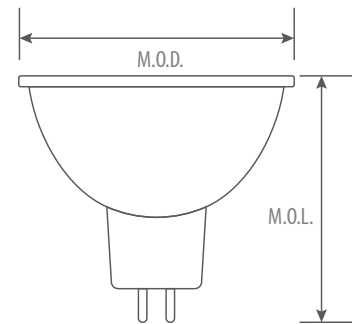
Operating temperature between -20°C and +45°C

#### Ordering Information

Example: HD-MR16/9W/30/SP15/GU5.3/D/HL

LED CLASS	LAMP TYPE	WATTAGE	CCT(K)	BEAM ANGLE	BASE	DIMMABLE	OTHER
HD	MR16	9W 6.5W	30 (3000K) 40 (4000K)	SP15 (15°) FL25 (25°) FL35 (35°)	GU5.3	D (dimmable)	HL (High Lumen) I90 (CRI 90)

#### Dimensional drawing



#### Product Specification

Ordering Code	ES	Model Number	Watts	Replacement Incandescent	Base	Voltage (V)	Hour Rating	Beam Angle	Initial Lumens(lm)	CCT(K)	CRI	C.B.C.P	Enclosed Fixture Application	Damp LOC.	M.O.D. (inch)	M.O.L. (inch)	Case QTY.
HD-MR16																	
1782225	Y	HD-MR16/9W/30/SP15/GU5.3/D/HL	9	60W	GU5.3	12	25,000	15°	685	3000	80	6800	Y	Y	1.97	1.87	50
1782226	Y	HD-MR16/9W/30/FL25/GU5.3/D/HL	9	60W	GU5.3	12	25,000	25°	685	3000	80	3200	Y	Y	1.97	1.87	50
1782227	Y	HD-MR16/9W/30/FL35/GU5.3/D/HL	9	60W	GU5.3	12	25,000	35°	685	3000	80	1850	Y	Y	1.97	1.87	50
1782228	Y	HD-MR16/9W/30/FL35/GU5.3/D/I90	9	40W	GU5.3	12	25,000	35°	565	3000	90	1463	Y	Y	1.97	1.87	50
1762810	Y	HD-MR16/6.5W/40/FL35/JDR/D	6.5	40W	GU5.3	12	25,000	35°	500	4000	80	1346	Y	Y	1.97	2.3	50





# LED LAMP

## HD Series



### HD-PAR38, HD-PAR30LN, HD-PAR30



#### Features & Benefits

- Outstanding high lumen output, for premium and high ceiling applications
- May be used to replace high lumen PAR, including Ceramic Metal Halide (CMH)
- 3 different beam angles (PAR 38/26W) to meet all your lighting needs

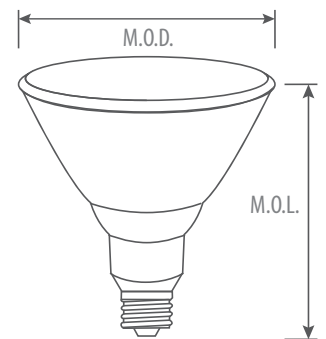
- Excellent performance for task lighting
- 50,000 hour average life, Energy Star listed\*
- Energy saving up to 80% (compared with CMH)
- Enclosed fixture application and wet location approved\*
- High CRI (Up to 90+)

#### Warranty & Cautions

- 5-year (ES approved), 3-year (non ES) limited warranty
- Operating temperature range between -20°C and +40°C
- UL/cUL listed, FCC compliant, RoHS compliant

- \*For applicable models, see product specification below.
- For replacement of CMH lamp types, you need to disconnect ballasts before installation

#### Dimensional drawing



#### Product Specification

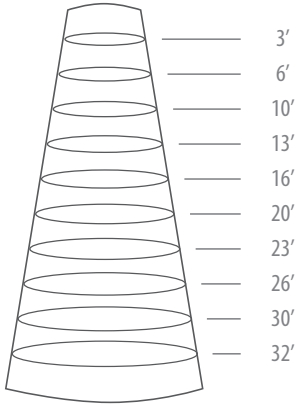
Ordering Code	ES*	Model Number	Watts	Replacement CMH	Base	Voltage (V)	Hour Rating	Beam Angle	Initial Lumens(lm)	CCT(K)	CRI	C.B.C.P. (cd)	EFA <sup>1</sup>	Wet LOC.*	Damp LOC.	M.O.D. (inch)	M.O.L. (inch)	Case QTY.
HD-PAR38 (non dimmable)																		
1785203	Y	HD-PAR38/38W/30/FL25	38	100W	E26	120	50,000	25°	4000	3000	80	17500	N	Y	Y	4.8	5.04	10
1785401	Y	HD-PAR38/38W/40/FL25	38	100W	E26	120	50,000	25°	4000	4000	80	17500	N	Y	Y	4.8	5.04	10
1785200	Y	HD-PAR38/38W/30/WFL40	38	100W	E26	120	50,000	40°	4000	3000	80	8000	N	Y	Y	4.8	5.04	10
1785400	Y	HD-PAR38/38W/40/WFL40	38	100W	E26	120	50,000	40°	4000	4000	80	8000	N	Y	Y	4.8	5.04	8
HD-PAR38 (dimmable)																		
1784201	Y	HD-PAR38/26W/30/SP15/D	26	70W	E26	120	50,000	15°	2400	3000	90	20000	Y	Y	Y	4.8	5.04	8
1784202	Y	HD-PAR38/26W/30/FL25/D	26	70W	E26	120	50,000	25°	2400	3000	90	11000	Y	Y	Y	4.8	5.04	8
1784203	Y	HD-PAR38/26W/30/WFL40/D	26	70W	E26	120	50,000	40°	2400	3000	90	4000	Y	Y	Y	4.8	5.04	8
1784405	Y	HD-PAR38/26W/40/SP15/D	26	70W	E26	120	50,000	15°	2400	4000	90	20000	Y	Y	Y	4.8	5.04	8
1784406	Y	HD-PAR38/26W/40/FL25/D	26	70W	E26	120	50,000	25°	2400	4000	90	11000	Y	Y	Y	4.8	5.04	8
1784407	Y	HD-PAR38/26W/40/WFL40/D	26	70W	E26	120	50,000	40°	2400	4000	90	4000	Y	Y	Y	4.8	5.04	8
HD-PAR30																		
1785201	Y	HD-PAR30LN/33W/30/FL25/D	33	70W	E26	120	50,000	25°	3000	3000	90	13000	N	N	Y	3.74	4.65	12
1785402	Y	HD-PAR30LN/33W/40/FL25/D	33	70W	E26	120	50,000	25°	3000	4000	90	13000	N	N	Y	3.74	4.65	12
1785202	Y	HD-PAR30LN/33W/30/WFL40/D	33	70W	E26	120	50,000	40°	3000	3000	90	6500	N	N	Y	3.74	4.65	12
1785403	Y	HD-PAR30LN/33W/40/WFL40/D	33	70W	E26	120	50,000	40°	3000	4000	90	6500	N	N	Y	3.74	4.65	12
1785404	N	HD-PAR30LN/33W/40/WFL60/D	33	70W	E26	120	50,000	60°	3000	4000	90		N	N	Y	3.74	4.65	12
1782225	N	HD-PAR30/11W/30/FL25/D	11	39W	E26	120	40,000	25°	1100	3000	80	2910	Y	N	Y	3.74	3.58	30
1782226	N	HD-PAR30/11W/30/WFL40/D	11	39W	E26	120	40,000	40°	1100	3000	80	1315	Y	N	Y	3.74	3.58	30

<sup>1</sup> Enclosed Fixture Application



# HD-PAR38, HD-PAR30LN, HD-PAR30

## Accent Lighting Performance



HD-PAR38/26W/30/WFL40/D

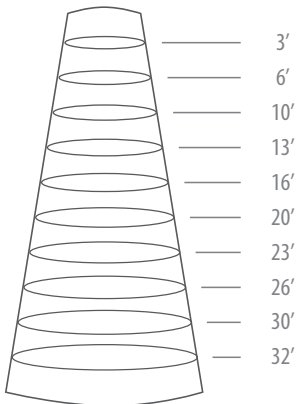
Distance	Footcandles	Diameter
3'	573.5	2.22'
6'	143.4	4.44'
10'	51.6	7.41'
13'	30.5	9.63'
16'	20.2	11.85'
20'	12.9	14.81'
23'	9.8	17.03'
26'	7.6	19.25'
30'	5.7	22.22'
32'	5	23.70'

HD-PAR38/26W/30/FL25/D

Distance	Footcandles	Diameter
3'	1322	1.11'
6'	330.5	2.22'
10'	119	3.70'
13'	70.4	4.81'
16'	46.5	5.92'
20'	29.8	7.41'
23'	22.5	8.52'
26'	17.6	9.63'
30'	13.2	11.11'
32'	11.6	11.85'

HD-PAR38/26W/30/SP15/D

Distance	Footcandles	Diameter
3'	1961	0.81'
6'	490.2	1.63'
10'	176.5	2.71'
13'	104.4	3.52'
16'	68.9	4.34'
20'	44.1	5.42'
23'	33.4	6.23'
26'	26.1	7.05'
30'	19.6	8.13'
32'	17.2	8.67'



HD-PAR38/38W/30/WFL40

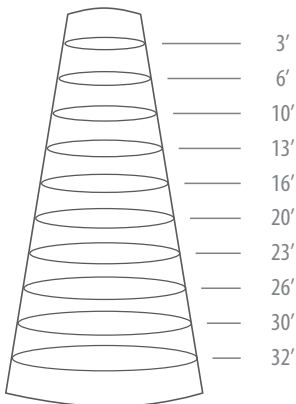
Distance	Footcandles	Diameter
3'	901.7	2.19'
6'	225.4	4.38'
10'	81.2	7.31'
13'	48	9.50'
16'	31.7	11.69'
20'	20.3	14.61'
23'	15.3	16.80'
26'	12	19.00'
30'	9	21.92'
32'	7.9	23.38'

HD-PAR38/38W/30/FL25

Distance	Footcandles	Diameter
3'	2264	1.04'
6'	566.1	2.07'
10'	203.8	3.45'
13'	120.6	4.49'
16'	79.6	5.52'
20'	50.9	6.91'
23'	38.5	7.94'
26'	30.2	8.97'
30'	22.6	10.35'
32'	19.9	11.04'

HD-PAR30LN/33W/30/WFL40/D

Distance	Footcandles	Diameter
3'	712.7	2.03'
6'	178.2	4.05'
10'	64.1	6.76'
13'	37.9	8.78'
16'	25.1	10.81'
20'	16	13.51'
23'	12.1	15.54'
26'	9.5	17.56'
30'	7.1	20.27'
32'	6.3	21.62'



HD-PAR30LN/33W/30/FL25/D

Distance	Footcandles	Diameter
3'	1186	1.22'
6'	296.6	2.43'
10'	106.8	4.06'
13'	63.2	5.27'
16'	41.7	6.49'
20'	26.7	8.11'
23'	20.2	9.33'
26'	15.8	10.54'
30'	11.9	12.17'
32'	10.4	12.98'

HD-PAR30/11W/30/WFL40/D

Distance	Footcandles	Diameter
3'	248	2.02'
6'	62	4.03'
10'	22.3	6.73'
13'	13.2	8.75'
16'	8.7	10.77'
20'	5.6	13.46'
23'	4.2	15.48'
26'	3.3	17.5'
30'	2.5	20.19'
32'	2.2	21.54'

HD-PAR30/11W/30/FL25/D

Distance	Footcandles	Diameter
3'	480.5	1.15'
6'	120.1	2.30'
10'	43.2	3.83'
13'	25.6	4.97'
16'	16.9	6.12'
20'	10.8	7.65'
23'	8.2	8.80'
26'	6.4	9.94'
30'	4.8	11.47'
32'	4.2	12.24'

## Ordering Information Example: HD-PAR38/26W/30/SP15/D

LED CLASS	LAMP TYPE	WATTAGE	CCT(K)	BEAM ANGLE	DIMMABLE
HD	PAR38	26W, 38W	30 (3000K) 40 (4000K)	SP15 (15°) FL25 (25°) WFL40 (40°)	D (dimmable) Blank (non dimmable)
	PAR30LN (Long Neck)	33W			
	PAR30	11W			



# LED LAMP

## PURE VISION



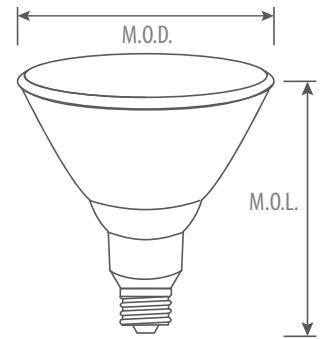
### PV-PAR38, PV-PAR30, PV-PAR20



#### Features & Benefits

Energy Star listed ,unique halogen looking lens design	Black housing available
Beam angle 40° & 25°, with wide color temperature options*	25,000 hour average life
High CRI (80+), dimmable**	Enclosed fixture application
16W replaces 120W halogen, 13W replaces 90W halogen, 12W replaces 75W halogen, 7W replaces 50W halogen	Wet location approved

#### Dimensional drawing



#### Warranty & Cautions

3-year limited warranty
Operating temperature range between -40°C and +45°C
UL/cUL listed, FCC compliant, RoHS compliant

\* PAR30LN, PAR20 5000K ES available. \*\* Check the dimmer compatibility list on our website [www.turolight.com](http://www.turolight.com)

#### Product Specification

Ordering Code	ES	Model Number	Watts	Base	Voltage (V)	Hour Rating	Beam Angle	Initial Lumens(lm)	CCT(K)	CRI	C.B.C.P. (cd)	EFA <sup>1</sup>	Wet LOC.	Damp LOC.	M.O.D. (inch)	M.O.L. (inch)	Case QTY.
PV-PAR38																	
1733100	Y	PV-PAR38/16W/27/WFL40/D/ES	16	E26	120	25,000	40°	1400	2700	80	2270	Y	Y	Y	4.8	5.31	20
1733200	Y	PV-PAR38/16W/30/WFL40/D/ES	16	E26	120	25,000	40°	1400	3000	80	2270	Y	Y	Y	4.8	5.31	20
1733300	Y	PV-PAR38/16W/35/WFL40/D/ES	16	E26	120	25,000	40°	1400	3500	80	2270	Y	Y	Y	4.8	5.31	20
1733400	Y	PV-PAR38/16W/40/WFL40/D/ES	16	E26	120	25,000	40°	1400	4000	80	2270	Y	Y	Y	4.8	5.31	20
1733500	Y	PV-PAR38/16W/50/WFL40/D/ES	16	E26	120	25,000	40°	1400	5000	80	2270	Y	Y	Y	4.8	5.31	20
1733201	Y	PV-PAR38/16W/30/FL25/D/ES	16	E26	120	25,000	25°	1400	3000	80	2270	Y	Y	Y	4.8	5.31	20
1733401	Y	PV-PAR38/16W/40/FL25/D/ES	16	E26	120	25,000	25°	1400	4000	80	2270	Y	Y	Y	4.8	5.31	20
1732105	Y	PV-PAR38/13W/27/WFL40/D/ES	13	E26	120	25,000	40°	910	2700	80	1533	Y	Y	Y	4.8	5.31	20
1732205	Y	PV-PAR38/13W/30/WFL40/D/ES	13	E26	120	25,000	40°	910	3000	80	1533	Y	Y	Y	4.8	5.31	20
1732304	Y	PV-PAR38/13W/35/WFL40/D/ES	13	E26	120	25,000	40°	910	3500	80	1533	Y	Y	Y	4.8	5.31	20
1732404	Y	PV-PAR38/13W/40/WFL40/D/ES	13	E26	120	25,000	40°	910	4000	80	1533	Y	Y	Y	4.8	5.31	20
1732505	Y	PV-PAR38/13W/50/WFL40/D/ES	13	E26	120	25,000	40°	910	5000	80	1533	Y	Y	Y	4.8	5.31	20

<sup>1</sup> Enclosed Fixture Application



## PV-PAR38, PV-PAR30LN, PV-PAR20

Ordering Code	ES	Model Number	Watts	Base	Voltage (V)	Hour Rating	Beam Angle	Initial Lumens(lm)	CCT(K)	CRI	C.B.C.P. (cd)	EFA <sup>1</sup>	Wet LOC.	Damp LOC.	M.O.D. (inch)	M.O.L. (inch)	Case QTY.	
PV-PAR30																		
1732107	Y	PV-PAR30LN/12W/27/WFL40/D/ES	12	E26	120	25,000	40°	840	2700	80	1315	Y	Y	Y	3.74	4.84	20	
1732207	Y	PV-PAR30LN/12W/30/WFL40/D/ES	12	E26	120	25,000	40°	840	3000	80	1315	Y	Y	Y	3.74	4.84	20	
1732406	Y	PV-PAR30LN/12W/40/WFL40/D/ES	12	E26	120	25,000	40°	840	4000	80	1315	Y	Y	Y	3.74	4.84	20	
1732509	Y	PV-PAR30LN/12W/50/WFL40/D/ES	12	E26	120	25,000	40°	840	5000	80	1315	Y	Y	Y	3.74	4.84	20	
1762886	Y	PV-PAR30LN/12W/30/WFL40/D/ES/BK	12	E26	120	25,000	40°	840	3000	80	1315	Y	Y	Y	3.74	4.84	20	
1732206	Y	PV-PAR30LN/12W/30/FL25/D/ES	12	E26	120	25,000	25°	840	3000	80	2910	Y	Y	Y	3.74	4.84	20	
1732216	Y	PV-PAR30/12W/30/WFL40/D/ES	12	E26	120	25,000	40°	840	3000	80	1315	Y	Y	Y	3.74	3.5	20	
PV-PAR20																		
1732109	Y	PV-PAR20/7W/27/WFL40/D/ES	7	E26	120	25,000	40°	500	2700	80	593	Y	Y	Y	2.47	3.46	50	
1732209	Y	PV-PAR20/7W/30/WFL40/D/ES	7	E26	120	25,000	40°	500	3000	80	593	Y	Y	Y	2.47	3.46	50	
1732408	Y	PV-PAR20/7W/40/WFL40/D/ES	7	E26	120	25,000	40°	500	4000	80	593	Y	Y	Y	2.47	3.46	50	
1732511	Y	PV-PAR20/7W/50/WFL40/D/ES	7	E26	120	25,000	40°	500	5000	80	593	Y	Y	Y	2.47	3.46	50	
1762887	Y	PV-PAR20/7W/30/WFL40/D/ES/BK	7	E26	120	25,000	40°	500	3000	80	593	Y	Y	Y	2.47	3.46	50	

### Ordering Information Example: PV-PAR38/16W/27/WFL40/D/ES

LED CLASS	LAMP TYPE	WATTAGE	CCT(K)	BEAM ANGLE	DIMMABLE	ENERGY STAR	Housing Colour
PV	PAR38	16W	50, 40	WFL40 (40°) FL25 (25°)	D	ES	BK (Black) Blank(White)
	PAR30	13W	35, 30				
	PAR30LN (Long Neck)	12W	27				
	PAR20	7W					



## VIV-PAR20/190

### Features & Benefits

Deliver nearly perfect color accuracy and reproduction  
High CRI (90+), Dimmable

7W replaces 50W incandescent

25,000 hour average life

Enclosed luminaires application

Wet location approved

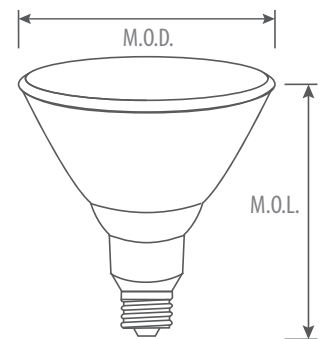
### Warranty & Cautions

3-year limited warranty from the date of purchase

Operating temperature range between -40°C and +45°C

cETL listed, FCC compliant, RoHS compliant

### Dimensional drawing



### Product Specification

Ordering Code	Model Number	Watts	Replacement Incandescent	Base	Voltage (V)	Hour Rating	Beam Angle	Initial Lumens(lm)	CCT(K)	CRI	Enclosed Fixture	Wet Location	M.O.D. (inch)	M.O.L. (inch)	Case QTY.
1752104	VIV-PAR20/190/7W/27/WFL40/D	7	<b>50W</b>	E26	120	25,000	40°	500	2700	90	Y	Y	2.47	3.46	50
1752211	VIV-PAR20/190/7W/30/WFL40/D	7	<b>50W</b>	E26	120	25,000	40°	500	3000	90	Y	Y	2.47	3.46	50
1752409	VIV-PAR20/190/7W/40/WFL40/D	7	<b>50W</b>	E26	120	25,000	40°	500	4000	90	Y	Y	2.47	3.46	50
1752506	VIV-PAR20/190/7W/50/WFL40/D	7	<b>50W</b>	E26	120	25,000	40°	500	5000	90	Y	Y	2.47	3.46	50

### Ordering Information Example: VIV-PAR20/190/7W/27/WFL40/D

LED CLASS	LAMP TYPE	CRI	WATTAGE	CCT (K)	BEAM ANGLE	DIMMABLE
VIV (Vivid)	PAR20	190 (CRI≥90)	7W	27 (2700K) 30 (3000K) 40 (4000K) 50 (5000k)	WFL40 (40°)	D (dimmable)





# LED LAMP

## VIVID Series



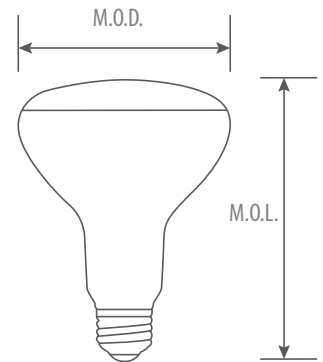
### VIV-BR40, VIV-BR30, VIV-BR20



#### Features & Benefits

Energy Star listed	25,000 hour average life
High CRI (80+), dimmable	Enclosed fixture application*
13W replaces 75W incandescent 9W replaces 45W incandescent 8W replaces 35W incandescent	Damp location approved

#### Dimensional drawing



#### Warranty & Cautions

3-year limited warranty
Operating temperature range between -20°C and +40°C
UL/cUL listed, FCC compliant, RoHS compliant

\* For applicable models, see product specification below

#### Product Specification

Ordering Code	ES	Model Number	Watts	Replacement Incandescent	Base	Voltage (V)	Hour Rating	Beam Angle	Initial Lumens(lm)	CCT(K)	CRI	Enclosed Fixture Application	Damp LOC.	M.O.D. (inch)	M.O.L. (inch)	Case QTY.
1752103	Y	VIV-BR30/9W/27/D	9	45W	E26	120	25,000	100°	650	2700	80	-	-	3.76	5.2	24
1752212	Y	VIV-BR30/9W/30/D	9	45W	E26	120	25,000	100°	650	3000	80	-	-	3.76	5.2	24
1752410	Y	VIV-BR30/9W/40/D	9	45W	E26	120	25,000	100°	650	4000	80	-	-	3.76	5.2	24
1752102	Y	VIV-BR40/13W/27/D	13	75W	E26	120	25,000	120°	1050	2700	80	-	Y	4.72	6.3	10
1762136	-	VIV-BR20/8W/27/D	8	35W	E26	120	25,000	120°	450	2700	80	Y	Y	2.48	3.7	20
1762813	-	VIV-BR20/8W/40/D	8	35W	E26	120	25,000	120°	450	4000	80	Y	Y	2.48	3.7	20

#### Ordering Information Example: VIV-BR20/9W/27/D

LED CLASS	LAMP TYPE	WATTAGE	CCT(K)	DIMMABLE
VIV (Vivid)	BR40 BR30 BR20	13W 9W 8W	27 (2700K) 30 (3000K) 40 (4000K)	D (dimmable) Blank (non dimmable)



# LED LAMP

## VIVID Series

### DirectFit T5 Lamp



## VIV-T5DFSP4



### Features & Benefits

DLC approved <sup>1</sup>	Suitable for splash zones of food equipment
Direct Fit , Frost PET Film, ShatterProtect <sup>2</sup>	50,000 hour life (L70)
NSF/ANSI 2 Certified <sup>3</sup>	Fits into existing linear fixtures
Replaces T5 HO & T5 HE	Compatible with most program start ballast <sup>4</sup>
180° Beam angle, High CRI (83+)	

### Dimensional drawing



### Warranty & Cautions

- 5-year limited warranty for DLC listed lamps / 3-year limited warranty for non-DLC\*
- Bulb wall temperature range between -20°C and +45°C
- Not recommended to use with ballast 5 years or older

\*Please check the "Turolight LED Limited Warranty" for details

### Product Specification

Ordering Code	DLC	Model Number	Description	Wattage		Base	Voltage (V)	Hour Rating	Beam Angle	Initial Lumen (lm)	CCT(K)	CRI	M.O.L. (inch)	Case QTY.
				Lamp Power (W)	System Power (W)									
Replace T5 HO														
1762351	-	VIV-T5DFSP4/9W/35/F	Direct Fit 2ft 9W G5 35K Frost PET Film	9	12	G5	120-277, 347	50,000	180	1000	3500	83	22	25
1762848	-	VIV-T5DFSP4/9W/40/F	Direct Fit 2ft 9W G5 40K Frost PET Film	9	12	G5	120-277, 347	50,000	180	1000	4000	83	22	25
1762529	-	VIV-T5DFSP4/9W/50/F	Direct Fit 2ft 9W G5 50K Frost PET Film	9	12	G5	120-277, 347	50,000	180	1000	5000	83	22	25
1763314	-	VIV-T5DFSP4/18W/35/F	Direct Fit 3ft 18W G5 35K Frost PET Film	18	21	G5	120-277, 347	50,000	180	1700	3500	83	34	25
1763434	-	VIV-T5DFSP4/18W/40/F	Direct Fit 3ft 18W G5 40K Frost PET Film	18	21	G5	120-277, 347	50,000	180	1700	4000	83	34	25
1763513	-	VIV-T5DFSP4/18W/50/F	Direct Fit 3ft 18W G5 50K Frost PET Film	18	21	G5	120-277, 347	50,000	180	1700	5000	83	34	25
1754404	Y	VIV-T5DFSP4/22.5W/40/F	Direct Fit 4ft 22.5W G5 30K Frost DLC4.0	22.5	25.5	G5	120-277, 347	50,000	180	3200	4000	83	46	25
1754502	Y	VIV-T5DFSP4/22.5W/50/F	Direct Fit 4ft 22.5W G5 35K Frost DLC4.0	22.5	25.5	G5	120-277, 347	50,000	180	3300	5000	83	46	25
Replace T5 HE														
1762352	-	VIV-T5DFSP4/6W/35/F	Direct Fit 2ft 6W G5 35K Frost PET Film	6	9	G5	120-277, 347	50,000	180	900	3500	83	22	25
1762849	-	VIV-T5DFSP4/6W/40/F	Direct Fit 2ft 6W G5 40K Frost PET Film	6	9	G5	120-277, 347	50,000	180	950	4000	83	22	25
1762530	-	VIV-T5DFSP4/6W/50/F	Direct Fit 2ft 6W G5 50K Frost PET Film	6	9	G5	120-277, 347	50,000	180	1000	5000	83	22	25
1762353	-	VIV-T5DFSP4/9W/35/F/3FT	Direct Fit 3ft 9W G5 35K Frost PET Film	9	12	G5	120-277, 347	50,000	180	1050	3500	83	34	25
1762850	-	VIV-T5DFSP4/9W/40/F/3FT	Direct Fit 3ft 9W G5 40K Frost PET Film	9	12	G5	120-277, 347	50,000	180	1200	4000	83	34	25
1762531	-	VIV-T5DFSP4/9W/50/F/3FT	Direct Fit 3ft 9W G5 50K Frost PET Film	9	12	G5	120-277, 347	50,000	180	1300	5000	83	34	25
1762793	Y	VIV-T5DFSP4/13W/30/F	Direct Fit 4ft 13W G5 30K Frost PET Film	13	16	G5	120-277, 347	50,000	180	1800	3000	83	46	25
1762354	Y	VIV-T5DFSP4/13W/35/F	Direct Fit 4ft 13W G5 35K Frost PET Film	13	16	G5	120-277, 347	50,000	180	1800	3500	83	46	25
1762851	Y	VIV-T5DFSP4/13W/40/F	Direct Fit 4ft 13W G5 40K Frost PET Film	13	16	G5	120-277, 347	50,000	180	1850	4000	83	46	25
1762532	Y	VIV-T5DFSP4/13W/50/F	Direct Fit 4ft 13W G5 50K Frost PET Film	13	16	G5	120-277, 347	50,000	180	1900	5000	83	46	25



# LED LAMP

## VIVID Series



### VIV-T5DF4



#### Features & Benefits

DLC approved	NSF/ANSI 2 Certified <sup>1</sup>
All glass construction , aluminium end caps	Suitable for splash zones of food equipment
50,000 hour life (L70)	Fits into existing linear fixtures
220° Beam angle, High CRI (83+)	Compatible with most program start ballast <sup>2</sup>
Replaces T5 HO & T5 HE	<sup>1</sup> Need to work with NSF certified lighting fixtures <sup>2</sup> Contact your sales person or check <a href="http://www.turolight.com">www.turolight.com</a> for ballast compatibility list

#### Dimensional drawing



#### Warranty & Cautions

5-year limited warranty for DLC listed lamps
Bulb wall temperature range between -20°C and +45°C
Not recommended to use with ballast 5 years or older

#### Product Specification

Ordering Code	DLC	Model Number	Description	Wattage		Base	Voltage (V)	Hour Rating	Beam Angle	Initial Lumen (lm)	CCT(K)	CRI	M.O.L. (inch)	Case QTY.
				Lamp Power (W)	System Power (W)									
1764212	Y	VIV-T5DF4/25W/30/F	T5 Direct Fit 4ft 25W G5 30K Frost	25	28	G5	120-277, 347	50,000	220	3150	3000	83	46	25
1764307	Y	VIV-T5DF4/25W/35/F	T5 Direct Fit 4ft 25W G5 35K Frost	25	28	G5	120-277, 347	50,000	220	3150	3500	83	46	25
1764410	Y	VIV-T5DF4/25W/40/F	T5 Direct Fit 4ft 25W G5 40K Frost	25	28	G5	120-277, 347	50,000	220	3200	4000	83	46	25
1764509	Y	VIV-T5DF4/25W/50/F	T5 Direct Fit 4ft 25W G5 50K Frost	25	28	G5	120-277, 347	50,000	220	3300	5000	83	46	25
1762022	Y	VIV-T5DF4/13W/30/F	T5 Direct Fit 4ft 13W G5 30K Frost	13	16	G5	120-277, 347	50,000	220	1800	3000	83	46	25
1762366	Y	VIV-T5DF4/13W/35/F	T5 Direct Fit 4ft 13W G5 35K Frost	13	16	G5	120-277, 347	50,000	220	1800	3500	83	46	25
1762888	Y	VIV-T5DF4/13W/40/F	T5 Direct Fit 4ft 13W G5 40K Frost	13	16	G5	120-277, 347	50,000	220	1850	4000	83	46	25
1762552	Y	VIV-T5DF4/13W/50/F	T5 Direct Fit 4ft 13W G5 50K Frost	13	16	G5	120-277, 347	50,000	220	1900	5000	83	46	25

#### Ordering Information Example: VIV-T5DF4/25W/30/F

LED CLASS	LAMP TYPE	DIRECT FIT	WATTAGE	CCT(K)	FROST
VIV (Vivid)	T5	DF4 (Direct Fit, 4 <sup>th</sup> version)	13W 25W	30 (3000K) 35 (3500K) 40 (4000K) 50 (5000K)	F (Frost)



# LED LAMP

## VIVID Series

### Bypass T5 Lamp



## VIV-T5BPSP4



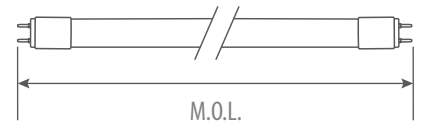
### Features & Benefits

DLC approved, Frost PET Film, Shatter Protect <sup>1</sup>	120-277V & 347V*, 50000 hour life (L70)
External ballast not required	NSF/ANSI 2 certified**
Double-ended installation	Suitable for splash zones of food equipment
Replaces T5 HO & T5 HE	Our safety features allow for installation as well as misapplication protection <sup>2</sup>
180° Beam angle, High CRI (83+)	

<sup>1</sup> ShatterProtect utilizes PET film to reduce the unexpected risk of shattering

\*For applicable models, see product specification below  
 \*\*Need to work with NSF certified lighting fixtures  
<sup>2</sup>Contact your local Turolight representative for detail

### Dimensional drawing



### Warranty & Cautions

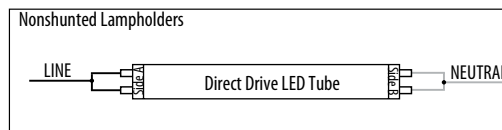
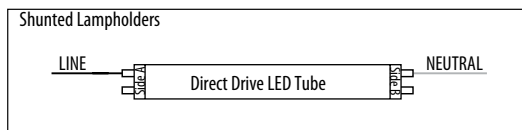
5-year limited warranty for DLC listed lamps

Operating temperature range between -20°C and +45°C

### Product Specification

Ordering Code	DLC	Model Number	Wattage (W)	Voltage (V)	Base	Hour Rating	Beam Angle	Initial Lumen (lm)	CCT(K)	CRI	M.O.L. (inch)	Case QTY.
Replace T5 HO 120-277V												
1754200	Y	VIV-T5BPSP4/25W/30/F (4FT HO)	25	120-277	G5	50,000	180	3200	3000	83	46	25
1754300	Y	VIV-T5BPSP4/25W/35/F (4FT HO)	25	120-277	G5	50,000	180	3200	3500	83	46	25
1754402	Y	VIV-T5BPSP4/25W/40/F (4FT HO)	25	120-277	G5	50,000	180	3300	4000	83	46	25
1754500	Y	VIV-T5BPSP4/25W/50/F (4FT HO)	25	120-277	G5	50,000	180	3400	5000	83	46	25
Replace T5 HO 347V												
1754201	Y	VIV-T5BPSP4/25W/30/F/347V (4FT HO)	25	347	G5	50,000	180	3200	3000	83	46	25
1754301	Y	VIV-T5BPSP4/25W/35/F/347V (4FT HO)	25	347	G5	50,000	180	3200	3500	83	46	25
1754403	Y	VIV-T5BPSP4/25W/40/F/347V (4FT HO)	25	347	G5	50,000	180	3300	4000	83	46	25
1754501	Y	VIV-T5BPSP4/25W/50/F/347V (4FT HO)	25	347	G5	50,000	180	3400	5000	83	46	25
Replace T5 HE												
1752216	Y	VIV-T5BPSP4/13W/30/F (4FT HE)	13	120-277	G5	50,000	180	1600	3000	83	46	25
1752305	Y	VIV-T5BPSP4/13W/35/F (4FT HE)	13	120-277	G5	50,000	180	1600	3500	83	46	25
1752413	Y	VIV-T5BPSP4/13W/40/F (4FT HE)	13	120-277	G5	50,000	180	1650	4000	83	46	25
1752509	Y	VIV-T5BPSP4/13W/50/F (4FT HE)	13	120-277	G5	50,000	180	1700	5000	83	46	25

### Double-ended Wiring





T8DFSP/N  
High-transmittance nano-plastic, Shatterproof  
No bending under high temperature

T8DFSP4  
Plastic end caps, glass tube with PET cover, PET film  
ShatterProtect<sup>4</sup>

Single Pin base, 8 ft length, PET film, ShatterProtect<sup>4</sup>

T8DF4/ T8DF2  
All glass construction , aluminium end caps (Linear)  
Plastic body and end caps (U-Bend)



# LED LAMP

## VIVID Series

### DirectFit T8 Lamp

VIV-T8DFSP/N, VIV-T8DFSP4  
VIV-T8DF4, VIV-T8DF2

### Features & Benefits

DLC approved, 50,000 hour life (L70), High CRI (83+)

NSF/ANSI 2 Certified<sup>1</sup> (T8DFSP4)  
ETL Sanitation Certified<sup>2</sup> (T8DFSP/N)

Beam angle  
220° (T8DF4, T8DF2), 180° (T8DFSP4), 160° (T8DFSP/N)

Direct replacement for T8 linear fluorescent

Fits into existing linear fixtures

Compatible with most Instant Start Ballast<sup>3</sup> with input voltage of 120-277V and 347V

<sup>1</sup>Need to work with NSF certified lighting fixtures

<sup>2</sup>Need to work with ETL Sanitation certified lighting fixtures

<sup>3</sup>For detail, you may contact your sales person or check [www.turolight.com](http://www.turolight.com) for ballast compatibility list

<sup>4</sup>ShatterProtect utilizes PET film to reduce the unexpected risk of shattering

### Warranty & Cautions

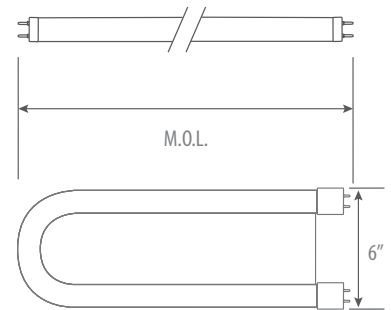
5-year limited warranty for DLC listed lamps / 3-year limited warranty for non-DLC\*

Bulb wall temperature range between -20°C and +45°C

Not recommended to use with ballast 5 years or older

\*Please check the "Turolight LED Limited Warranty" for details

### Dimensional drawing



### Product Specification

Ordering Code	DLC	Model Number	Nominal Lamp Power (Watts)	System Power (Watts)			Initial Lumen (lm)			Base	Voltage (V)	Hour Rating	Beam Angle	CCT(K)	CRI	M.O.L. (inch)	Case QTY.
				Low BF (0.78)	Normal BF (0.88)	High BF (1.16)	Low BF (0.78)	Normal BF (0.88)	High BF (1.16)								
T8DFSP/N (NANO)																	
1762023	Y	VIV-T8DFSP/N/15W/30/F	15	15	18	24	1700	2100	2800	G13	120-277, 347	50,000	160	3000	83	48	25
1762367	Y	VIV-T8DFSP/N/15W/35/F	15	15	18	24	1700	2100	2800	G13	120-277, 347	50,000	160	3500	83	48	25
1762884	Y	VIV-T8DFSP/N/15W/40/F	15	15	18	24	1800	2200	2900	G13	120-277, 347	50,000	160	4000	83	48	25
1762555	Y	VIV-T8DFSP/N/15W/50/F	15	15	18	24	1800	2200	2900	G13	120-277, 347	50,000	160	5000	83	48	25
T8DFSP4																	
1762867	Y	VIV-T8DFSP4/9W/40/F	9	9	12	17	950	1350	2050	G13	120-277, 347	50,000	180	4000	83	24	25
1762543	Y	VIV-T8DFSP4/9W/50/F	9	9	12	17	1000	1400	2100	G13	120-277, 347	50,000	180	5000	83	24	25
1762735	Y	VIV-T8DFSP4/13W/30/F	13	13	16	22	1400	1800	2500	G13	120-277, 347	50,000	180	3000	83	48	25
1762339	Y	VIV-T8DFSP4/13W/35/F	13	13	16	22	1450	1850	2550	G13	120-277, 347	50,000	180	3500	83	48	25
1762822	Y	VIV-T8DFSP4/13W/40/F	13	13	16	22	1500	1900	2600	G13	120-277, 347	50,000	180	4000	83	48	25
1762524	Y	VIV-T8DFSP4/13W/50/F	13	13	16	22	1600	2000	2700	G13	120-277, 347	50,000	180	5000	83	48	25
1762736	Y	VIV-T8DFSP4/15W/30/F	15	15	18	28	1700	2100	2800	G13	120-277, 347	50,000	180	3000	83	48	25
1762340	Y	VIV-T8DFSP4/15W/35/F	15	15	18	28	1700	2100	2800	G13	120-277, 347	50,000	180	3500	83	48	25
1762823	Y	VIV-T8DFSP4/15W/40/F	15	15	18	28	1800	2200	2900	G13	120-277, 347	50,000	180	4000	83	48	25
1762525	Y	VIV-T8DFSP4/15W/50/F	15	15	18	28	1800	2200	2900	G13	120-277, 347	50,000	180	5000	83	48	25
1763439	-	VIV-T8DFSP4/20W/40/F/5FT	20	20	23	30	1800	2200	2900	G13	120-277, 347	50,000	180	4000	83	60	25
1763517	-	VIV-T8DFSP4/20W/50/F/5FT	20	20	23	30	1900	2300	3000	G13	120-277, 347	50,000	180	5000	83	60	25





# VIV-T8DFSP/N , VIV-T8DFSP4, VIV-T8DF4, VIV-T8DF2

Ordering Code	DLC	Model Number	Nominal Lamp Power (Watts)	System Power (Watts)			Initial Lumen (lm)			Base	Voltage (V)	Hour Rating	Beam Angle	CCT(K)	CRI	M.O.L. (inch)	Case QTY.
				Low BF (0.78)	Normal BF (0.88)	High BF (1.16)	Low BF (0.78)	Normal BF (0.88)	High BF (1.16)								
T8DF4/ T8DF2 Linear																	
1762024	Y	VIV-T8DF4/11W/30/F/3FT	11	11	14	20	1200	1600	2300	G13	120-277, 347	50,000	220	3000	83	36	25
1762368	Y	VIV-T8DF4/11W/35/F/3FT	11	11	14	20	1200	1600	2300	G13	120-277, 347	50,000	220	3500	83	36	25
1762889	Y	VIV-T8DF4/11W/40/F/3FT	11	11	14	20	1250	1650	2350	G13	120-277, 347	50,000	220	4000	83	36	25
1762554	Y	VIV-T8DF4/11W/50/F/3FT	11	11	14	20	1250	1650	2350	G13	120-277, 347	50,000	220	5000	83	36	25
1752408	Y	VIV-T8DF4/11.5W/40/F	11.5	11.5	14.5	20.5	1400	1800	2500	G13	120-277, 347	50,000	220	4000	83	48	25
1752505	Y	VIV-T8DF4/11.5W/50/F	11.5	11.5	14.5	20.5	1430	1830	2530	G13	120-277, 347	50,000	220	5000	83	48	25
1762025	Y	VIV-T8DF2/13W/30/F	13	13	16	22	1400	1800	2500	G13	120-277, 347	50,000	220	3000	83	48	25
1762369	Y	VIV-T8DF2/13W/35/F	13	13	16	22	1400	1800	2500	G13	120-277, 347	50,000	220	3500	83	48	25
1762876	Y	VIV-T8DF2/13W/40/F	13	13	16	22	1400	1800	2500	G13	120-277, 347	50,000	220	4000	83	48	25
1762545	Y	VIV-T8DF2/13W/50/F	13	13	16	22	1500	1900	2600	G13	120-277, 347	50,000	220	5000	83	48	25
T8DFSP4 Single Pin, 8ft																	
1764213	Y	VIV-T8DFSP4/24W/30/F	24	24	27	30	2900	3300	4000	Single Pin	120-277, 347	50,000	180	3000	83	96	8
1764308	Y	VIV-T8DFSP4/24W/35/F	24	24	27	30	3000	3400	4100	Single Pin	120-277, 347	50,000	180	3500	83	96	8
1764413	Y	VIV-T8DFSP4/24W/40/F	24	24	27	30	3100	3500	4200	Single Pin	120-277, 347	50,000	180	4000	83	96	8
1764512	Y	VIV-T8DFSP4/24W/50/F	24	24	27	30	3100	3500	4200	Single Pin	120-277, 347	50,000	180	5000	83	96	8
T8DF4/ T8DF2 Linear																	
1762783	Y	VIV-T8DF4/U/13W/30/F	13	13	16	22	1400	1800	2500	G13	120-277, 347	50,000	220	3000	83	24	24
1762363	Y	VIV-T8DF4/U/13W/35/F	13	13	16	22	1400	1800	2500	G13	120-277, 347	50,000	220	3500	83	24	24
1762865	Y	VIV-T8DF4/U/13W/40/F	13	13	16	22	1450	1850	2550	G13	120-277, 347	50,000	220	4000	83	24	24
1762540	Y	VIV-T8DF4/U/13W/50/F	13	13	16	22	1500	1900	2600	G13	120-277, 347	50,000	220	5000	83	24	24

T8DF4  
Plastic body and end caps (U-Bend)



## Ordering Information Example: VIV-T8DFSP4/20W/35/F/5FT

LED CLASS	LAMP TYPE	WATTAGE	CCT(K)	FROST	OTHER
VIV (Vivid)	T8DFSP/N (Direct Fit, Shatterproof, Nano) T8DFSP4 (Direct Fit, PET film) T8DF4 (Direct Fit) T8DF2 (Direct Fit)	15W 20W,15W,13W, 9W 13W,11.5W,11W 13W	50 (5000K) 40 (4000K) 35 (3500K) 30 (3000K)	F (Frost)	U (U-Bend)



# LED LAMP

## VIVID Series



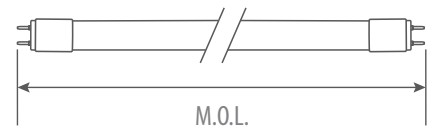
### VIV-T8DFSP4 (Metric)



#### Features & Benefits

High lumen efficiency	NSF/ANSI 2 Certified <sup>1</sup>
Metric size 46"	Suitable for splash zones of food equipment
Plastic end caps, glass tube with PET cover	Fits into existing linear fixtures
50,000 hour life (L70), 180° Beam angle, High CRI (83+)	Compatible with most Instant Start Ballast <sup>2</sup> with input voltage of 120-277V and 347V
Direct replacement for T8 linear fluorescent	

#### Dimensional drawing



#### Warranty & Cautions

5-year limited warranty for DLC listed lamps\*

Bulb wall temperature range between -20°C and +45°C

Not recommended to use with ballast 5 years or older

\*Please check the "Turolight LED Limited Warranty" for details  
 FCC Note: This device complies with Part 18 of the FCC Rules.

<sup>1</sup>Need to work with NSF certified lighting fixtures  
<sup>2</sup>For detail, you may contact your sales person or check [www.turolight.com](http://www.turolight.com) for ballast compatibility list

#### Product Specification

Ordering Code	Model Number	Nominal Lamp Power (Watts)	System Power (Watts)			Initial Lumen (lm)			Base	Voltage (V)	Hour Rating	Beam Angle	CCT(K)	CRI	M.O.L. (inch)	Case QTY.
			Low BF (0.78)	Normal BF (0.88)	High BF (1.16)	Low BF (0.78)	Normal BF (0.88)	High BF (1.16)								
1752407	VIV-T8DFSP4/15W/40/F/M (46")	15	15	18	24	1500	1900	2600	G13	120-277, 347	50,000	180	4000	83	46	25
1752503	VIV-T8DFSP4/15W/50/F/M (46")	15	15	18	24	1600	2000	2700	G13	120-277, 347	50,000	180	5000	83	46	25

#### Ordering Information Example: VIV-T8DFSP4/15W/40/F/M

LED CLASS	LAMP TYPE	DIRECT FIT	WATTAGE	CCT(K)	FROST	SIZE
VIV (Vivid)	T8	DFSP4 (Direct Fit, Shatterproof)	15W	40 (4000K) 50 (5000K)	F (Frost)	M (Metric Size, 46")



Ballast Bypass

# LED LAMP

## VIVID Series

### Bypass T8 Lamp



## VIV-T8BP6 (Double-ended)



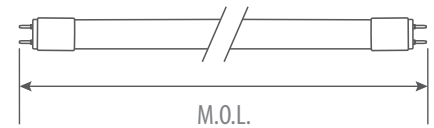
### Features & Benefits

- \_\_\_\_\_ DLC approved
- \_\_\_\_\_ External ballast not required
- \_\_\_\_\_ Double-ended installation
- \_\_\_\_\_ Our safety features allow for installation as well as misapplication protection<sup>1</sup>

- \_\_\_\_\_ High CRI (82+)
- \_\_\_\_\_ 50,000 hour life (L70)
- \_\_\_\_\_ Use existing lamp holders (non-shunted or shunted)
- \_\_\_\_\_ 220° Beam angle

<sup>1</sup>Contact your local Turolight representative for detail

### Dimensional drawing



### Warranty & Cautions

- \_\_\_\_\_ 5-year limited warranty
- \_\_\_\_\_ Operating temperature range between -20°C and +45°C
- \_\_\_\_\_ UL/cUL listed, RoHS compliant

### Ordering Information Example: VIV-T8BP6/12W/30/F/DE

LED CLASS	LAMP TYPE	Bypass, Shatterproof	WATTAGE	CCT(K)	FROST	INSTALLATION
VIV (Vivid)	T8	BP6 (Bypass, 6 <sup>th</sup> Version)	12W 15W	30 (3000K) 35 (3500K) 40 (4000K) 50 (5000K)	F (Frost)	DE (Double-ended)

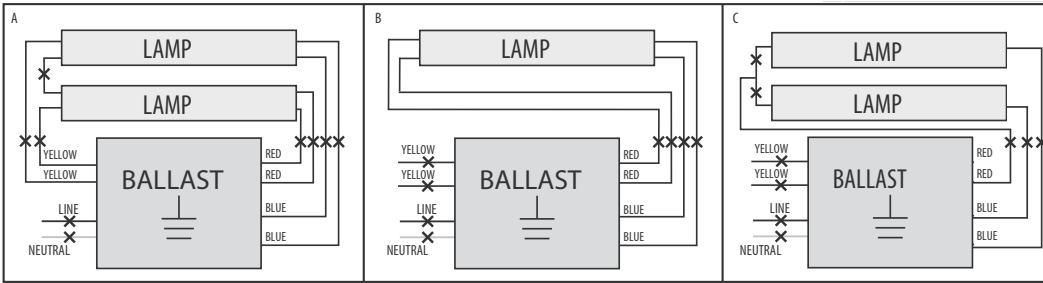
### Product Specification

Ordering Code	DLC	Model Number	Watts (W)	Voltage (V)	Initial Lumen (lm)	Base	Hour Rating	Beam Angle	CCT(K)	CRI	M.O.L. (inch)	Case QTY.
1752220	N	VIV-T8BP6/12W/30/F/DE	12	120-277	1700	G13	50,000	220°	3000	82	48	25
1752308	Y	VIV-T8BP6/12W/35/F/DE	12	120-277	1700	G13	50,000	220°	3500	82	48	25
1752418	Y	VIV-T8BP6/12W/40/F/DE	12	120-277	1800	G13	50,000	220°	4000	82	48	25
1752512	Y	VIV-T8BP6/12W/50/F/DE	12	120-277	1800	G13	50,000	220°	5000	82	48	25
1752221	N	VIV-T8BP6/15W/30/F/DE	15	120-277	2100	G13	50,000	220°	3000	82	48	25
1752309	Y	VIV-T8BP6/15W/35/F/DE	15	120-277	2200	G13	50,000	220°	3500	82	48	25
1752419	Y	VIV-T8BP6/15W/40/F/DE	15	120-277	2200	G13	50,000	220°	4000	82	48	25
1752513	Y	VIV-T8BP6/15W/50/F/DE	15	120-277	2200	G13	50,000	220°	5000	82	48	25



# VIV-T8BPS6 (Double-ended)

## Installation Guide Typical Ballast Configurations

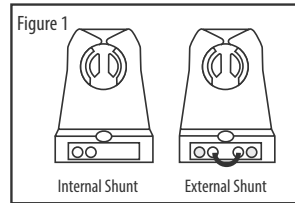


X Indicates Where to Cut Existing Wiring

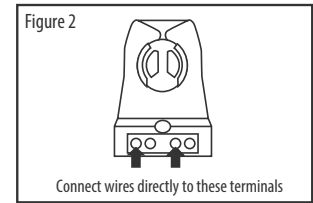
### Removing Existing Fluorescent System

1. Disconnect power from fixture.
2. Remove fluorescent lamp(s).
3. Remove lens and wiring compartment, if applicable.
4. Cut all wires connected to the ballast as shown in Diagrams A, B, and C.
5. Identify what type of lampholders are in fixture. Double-Ended wiring installations of VIV-T8BPSP4/DE tube can be used with shunted G13 or nonshunted G13 lampholders (with instructions to externally shunt). See Figures 1 and 2.

### Typical Shunted Lampholders



### Typical Non-Shunted Lampholder

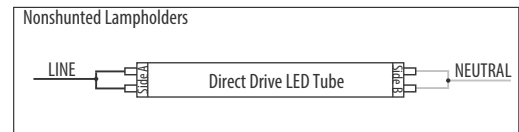
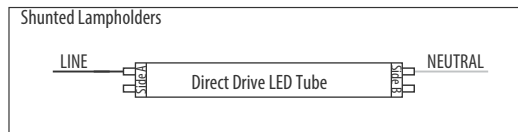


### Installing the Lamps-Double Ended

- I. Confirm that power is still disconnected from fixture.
- II. Make sure fixture is properly grounded.
- III. Follow step 1 for single lamp application or steps 2 & 3 for multiple lamp application, based on the number of lamps in the fixture:

#### Single Lamp

1. From AC wires, connect line (L) to Side A lampholder and neutral (N) to Side B lampholder. If only one lamp is being installed, proceed to step 4.

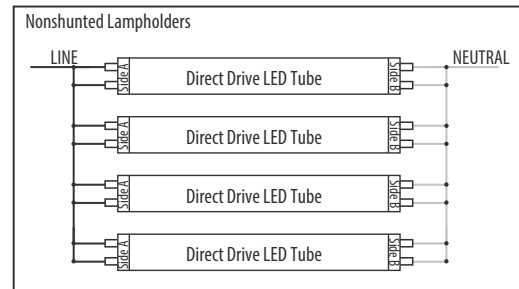
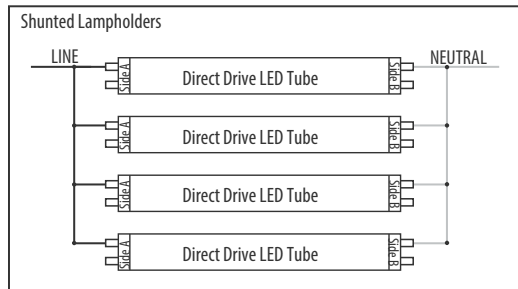


#### Multiple Lamps

2. Follow the steps above for single lamp connection to connect the first lamp.
3. Connect the terminals from the first lamp to the matching terminals on the lampholder of the second lamp with line and neutral wires as shown below. Continue daisy-chain connection for each additional lamp.
4. Complete all electrical connections with appropriate connectors/wire nuts as needed, per all local and national electrical codes.

**NOTE: There should not be any exposed wires from sockets left unconnected.**

5. Replace wiring compartment cover.
6. Install all of the VIV-T8BPSP4/DE tubes. Install LED tubes so that the LEDs are pointed in the proper direction for illumination, and install any lens or diffuser as applicable.





PERFECT LIGHTING  
PERFECT PERFORMANCE

Turolight Flicker-free LED tubes provide perfect light that does not cause headaches or eyestrains, it improves your concentration and productivity for your maximum performance.

VIV-T8BPSP4/FF



### Features & Benefits

- Percent flicker is significantly decreased to only 5%\*
- DLC approved, PET film, ShatterProtect<sup>1</sup>
- Ballast Bypass (no ballast required)
- 50,000 hour life (L70), 180° Beam angle, High CRI (82+)
- Both Double-ended and Single-ended applicable installation

<sup>1</sup>ShatterProtect utilizes PET film to reduce the unexpected risk of shattering  
<sup>2</sup>Need to work with NSF certified lighting fixtures

- 48" length
- NSF/ANSI 2 Certified<sup>2</sup>
- Suitable for splash zones of food equipment
- Use existing lamp holders (non-shunted or shunted)
- Our safety features allow for installation as well as misapplication protection<sup>3</sup>

<sup>3</sup>Contact your local Turolight representative for detail

### Dimensional drawing



### Warranty & Cautions

- 5-year limited warranty
- Bulb wall temperature range between -20°C and +45°C

### Applications

Suitable for offices, classrooms, and other commercial and educational applications

### Product Specification

Ordering Code	DLC	Model Number	Description	Watts (W)	Voltage (V)	Initial Lumen (lm)	Base	Hour Rating	Beam Angle	CCT(K)	CRI	M.O.L. (inch)	Case QTY.
1752404	Y	VIV-T8BPSP4/FF/10.5W/40/F/DE	Flicker-free, Bypass 4ft 10.5W G13 40K Frost PET film	10.5	120-277	1700	G13	50,000	180	4000	82	48	25

Other CCT is also available to be ordered

\*Flicker exists in most light sources, but with varying levels. For LED Type B tubes, it all comes down to the driver. Our unique driver design ensures the minimal level of flicker, so that provides high-quality light for maximum eye comfort and performance.

### Ordering Information Example: VIV-T8BPSP4/FF/10.5W/40/F/DE

LED CLASS	LAMP TYPE	BYPASS, SHATTERPROOF	FLICKER	WATTAGE	CCT(K)	FROST	INSTALLATION
VIV (Vivid)	T8	BPSP4 (Bypass, PET film)	FF (Flicker-free)	10.5W	40 (4000K)	F (Frost)	DE (Single & Double-ended)





# LED LAMP

## VIVID Series

### Bypass T8 Lamp



## VIV-T8BPSP4, VIV-T8BP4 (Double-ended & Single-ended) VIV-T8BPSP/Dim (Single-ended)



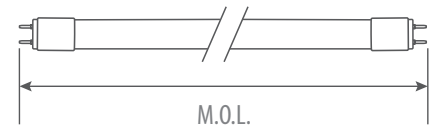
### Features & Benefits

- DLC approved, Dimmable\*, PET film, ShatterProtect<sup>1</sup>
- External ballast not required
- Both Double-ended and Single-ended applicable installation (only single-ended for VIV-T8BPSP/Dim)
- Our safety features allow for installation as well as misapplication protection<sup>2</sup>

- High CRI (82+), 50,000 hour life (L70)
- NSF/ANSI 2 certified\*\* (except T8BP4/15W)
- Use existing lamp holders (non-shunted or shunted)
- Suitable for splash zones of food equipment

<sup>1</sup>For applicable models, see product specification below  
<sup>2</sup>ShatterProtect utilizes PET film to reduce the unexpected risk of shattering  
<sup>3</sup>Contact your local Turolight representative for detail

### Dimensional drawing



### Warranty & Cautions

- 5-year limited warranty
- Operating temperature range between -20°C and +45°C
- UL/cUL listed, RoHS compliant

\*\* Need to work with NSF certified lighting fixtures.

### Ordering Information Example: VIV-T8BPSP4/18W/30/F/DE/3FT

LED CLASS	LAMP TYPE	Bypass, Shatterproof	WATTAGE	CCT(K)	FROST	INSTALLATION	INPUT VOLTAGE	LENGTH
VIV (Vivid)	T8	BPSP4 (Bypass, PET film, 4 <sup>th</sup> Version) BP4 (Bypass, 4 <sup>th</sup> Version) BPSP (Bypass, PET film, Dimmable)	18W, 15W 12W, 10.5W 9W	30 (3000K) 35 (3500K) 40 (4000K) 50 (5000K)	F	DE (Single & Double-ended)	Blank (120-277V) 347V	Blank (48"/24" 9W) 3FT (36")

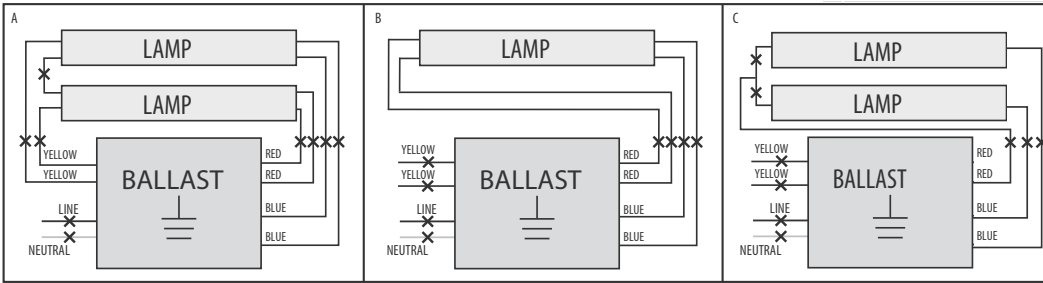
### Product Specification

Ordering Code	DLC	Model Number	Watts (W)	Voltage (V)	Initial Lumen (lm)	Base	Hour Rating	Beam Angle	CCT(K)	CRI	M.O.L. (inch)	Case QTY.
1752206	Y	VIV-T8BPSP4/15W/30/F/DE/347V	15	347	2000	G13	50,000	180°	3000	82	48	25
1752302	Y	VIV-T8BPSP4/15W/35/F/DE/347V	15	347	2050	G13	50,000	180°	3500	82	48	25
1752400	Y	VIV-T8BPSP4/15W/40/F/DE/347V	15	347	2200	G13	50,000	180°	4000	82	48	25
1752500	Y	VIV-T8BPSP4/15W/50/F/DE/347V	15	347	2200	G13	50,000	180°	5000	82	48	25
1762037	Y	VIV-T8BPSP4/10.5W/30/F/DE	10.5	120-277	1600	G13	50,000	180°	3000	82	48	25
1762372	Y	VIV-T8BPSP4/10.5W/35/F/DE	10.5	120-277	1600	G13	50,000	180°	3500	82	48	25
1762893	Y	VIV-T8BPSP4/10.5W/40/F/DE	10.5	120-277	1700	G13	50,000	180°	4000	82	48	25
1762558	Y	VIV-T8BPSP4/10.5W/50/F/DE	10.5	120-277	1700	G13	50,000	180°	5000	82	48	25
1752205	Y	VIV-T8BPSP4/9W/30/F/DE (2FT)	9	120-277	1200	G13	50,000	180°	3000	82	24	25
1752301	Y	VIV-T8BPSP4/9W/35/F/DE (2FT)	9	120-277	1200	G13	50,000	180°	3500	82	24	25
1752403	Y	VIV-T8BPSP4/9W/40/F/DE (2FT)	9	120-277	1200	G13	50,000	180°	4000	82	24	25
1752502	Y	VIV-T8BPSP4/9W/50/F/DE (2FT)	9	120-277	1200	G13	50,000	180°	5000	82	24	25
1752204	Y	VIV-T8BPSP4/12W/30/F/DE/3FT	12	120-277	1450	G13	50,000	180°	3000	82	36	25
1752300	Y	VIV-T8BPSP4/12W/35/F/DE/3FT	12	120-277	1450	G13	50,000	180°	3500	82	36	25
1752401	Y	VIV-T8BPSP4/12W/40/F/DE/3FT	12	120-277	1550	G13	50,000	180°	4000	82	36	25
1752501	Y	VIV-T8BPSP4/12W/50/F/DE/3FT	12	120-277	1550	G13	50,000	180°	5000	82	36	25
1763238	Y	VIV-T8BPSP4/18W/30/F/DE	18	120-277	2050	G13	50,000	180°	3000	82	48	25
1763319	Y	VIV-T8BPSP4/18W/35/F/DE	18	120-277	2050	G13	50,000	180°	3500	82	48	25
1763440	Y	VIV-T8BPSP4/18W/40/F/DE	18	120-277	2100	G13	50,000	180°	4000	82	48	25
1763518	Y	VIV-T8BPSP4/18W/50/F/DE	18	120-277	2200	G13	50,000	180°	5000	82	48	25
1762036	Y	VIV-T8BP4/15W/30/F/DE	15	120-277	1650	G13	50,000	220°	3000	82	48	25
1762371	Y	VIV-T8BP4/15W/35/F/DE	15	120-277	1700	G13	50,000	220°	3500	82	48	25
1762892	Y	VIV-T8BP4/15W/40/F/DE	15	120-277	1750	G13	50,000	220°	4000	82	48	25
1762557	Y	VIV-T8BP4/15W/50/F/DE	15	120-277	1800	G13	50,000	220°	5000	82	48	25
Dimmable												
1763425	-	VIV-T8BPSP/18W/40/F/D	18	120-277	1800	G13	50,000	180°	4000	83	48	25
1763509	-	VIV-T8BPSP/18W/50/F/D	18	120-277	1900	G13	50,000	180°	5000	83	48	25



# VIV-T8BPSP4, VIV-T8BP4 (Double-ended & Single-ended), VIV-T8BPSP/Dim (Single-ended)

## Installation Guide Typical Ballast Configurations



X Indicates Where to Cut Existing Wiring

### Removing Existing Fluorescent System

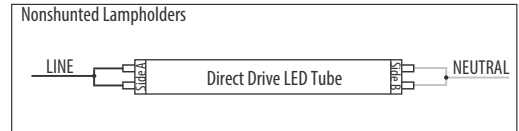
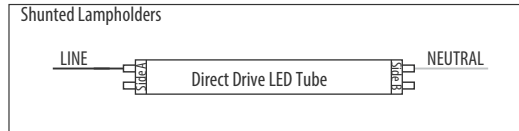
1. Disconnect power from fixture.
2. Remove fluorescent lamp(s).
3. Remove lens and wiring compartment, if applicable.
4. Cut all wires connected to the ballast as shown in Diagrams A, B, and C.
5. Identify what type of lampholders are in fixture. Double-Ended wiring installations of VIV-T8BPSP4/DE tube can be used with shunted G13 or nonshunted G13 lampholders (with instructions to externally shunt). See Figures 1 and 2.

### Installing the Lamps-Double Ended

- I. Confirm that power is still disconnected from fixture.
- II. Make sure fixture is properly grounded.
- III. Follow step 1 for single lamp application or steps 2 & 3 for multiple lamp application, based on the number of lamps in the fixture:

#### Single Lamp

1. From AC wires, connect line (L) to Side A lampholder and neutral (N) to Side B lampholder. If only one lamp is being installed, proceed to step 4.

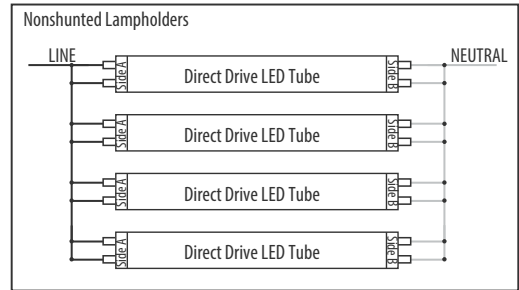
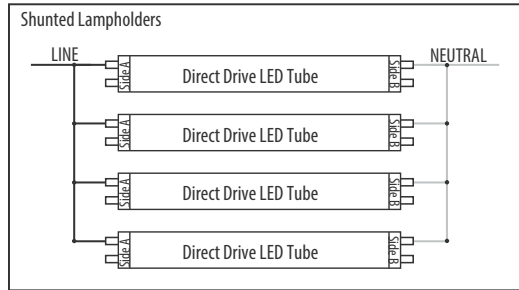


#### Multiple Lamps

2. Follow the steps above for single lamp connection to connect the first lamp.
3. Connect the terminals from the first lamp to the matching terminals on the lampholder of the second lamp with line and neutral wires as shown below. Continue daisy-chain connection for each additional lamp.
4. Complete all electrical connections with appropriate connectors/wire nuts as needed, per all local and national electrical codes.

**NOTE: There should not be any exposed wires from sockets left unconnected.**

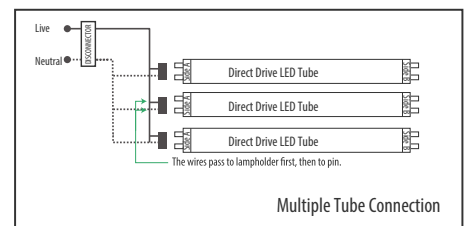
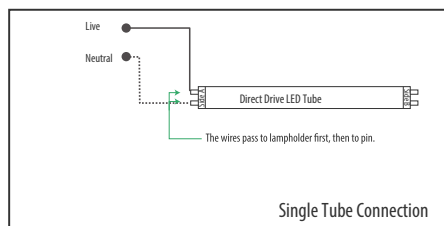
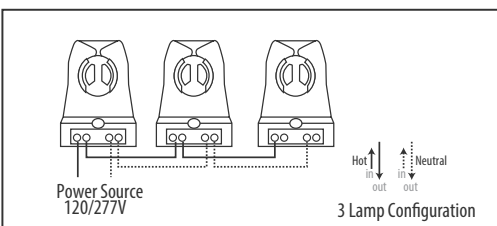
5. Replace wiring compartment cover.
6. Install all of the VIV-T8BPSP4/DE tubes. Install LED tubes so that the LEDs are pointed in the proper direction for illumination, and install any lens or diffuser as applicable.



### Installing the Lamps-Single Ended (Non-Shunted)

1. Read all WARNING/CAUTIONS before continuing this section.
2. Ensure fixture is 120-277V.
3. Disconnect power at the source.
4. Remove lens if applicable, remove cover and fluorescent tubes.
5. Cut all wires that connect ballast. Properly discard ballast or cap off wires.
6. Replace lamp holders at power end with supplied non-shunted lamp holders.
7. Connect hot wire from power source into supplied non-shunted Lamp Holder "Hot In".
8. Connect neutral wire from power source into supplied non-shunted Lamp Holder "Neutral In".
9. If installing multiple lamps, continue reading. Otherwise skip to section 14.
10. Connect separate hot wire into "Hot Out" from primary source lamp holder and connect that wire into "Hot In" on the adjacent tube.

11. Connect separate neutral wire into "Neutral Out" from primary source lamp holder and connect that wire into "Neutral In" on the adjacent tube.
12. Continue this process for additional lamps.
13. Do not wire opposite end of lamp holder.
14. Install lamp with the Turolight logo (driver side) into the wired end.
15. Visibly affix "Modification Sticker" and reinstall housing cover and lens if applicable.
16. Return power back to source and installation is now completed.



Note: The luminaire shall only mount max. 4 tubes.



# LED LAMP

## VIVID Series

Bypass T8 8ft



VIV-T8BPSP4/Fa8 (8ft, Double-ended)  
 VIV-T8BPSP4/R17d (8ft, Double-ended)

### Features & Benefits

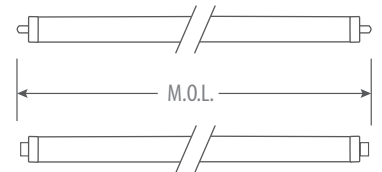
- DLC approved\*, PET film, ShatterProtect<sup>1</sup>
- External ballast not required
- Fa8, R17d base selection
- 120-277V & 347V, 180° Beam angle

\*For applicable models, see product specification below  
<sup>1</sup>ShatterProtect utilizes PET film to reduce the unexpected risk of shattering  
 \*\* Need to work with NSF certified lighting fixtures

- High CRI (82+), 50,000 hour life (L70)
- NSF/ANSI 2 certified\*\*
- Use existing lamp holders
- Suitable for splash zones of food equipment
- Our safety features allow for installation as well as misapplication protection<sup>2</sup>

<sup>2</sup>Contact your local Turolight representative for detail

### Dimensional drawing



### Warranty & Cautions

- 5-year limited warranty
- Operating temperature range between -20°C and +45°C
- UL/cUL listed, RoHS compliant

### Ordering Information

LED CLASS	LAMP TYPE	Bypass, Shatterproof	WATTAGE	CCT(K)	FROST	INSTALLATION	INPUT VOLTAGE
VIV (Vivid)	T8	BPSP4/Fa8 (Bypass, PET film, Fa8 Base) BPSP4/R17d (Bypass, PET film, R17d Base)	42W	30 (3000K) 35 (3500K) 40 (4000K) 50 (5000K)	F (Frost)	DE (Double-ended)	Blank (120-277V) 347V

### Product Specification

Ordering Code	DLC	Model Number	Watts (W)	Voltage (V)	Initial Lumen (lm)	Base	Hour Rating	Beam Angle	CCT(K)	CRI	M.O.L. (inch)	Case QTY.
T8 Bypass PET film IV 8ft Fa8 120-277V, Double-ended												
1755200	Y	VIV-T8BPSP4/Fa8/42W/30/F/DE (8FT)	42	120-277	5300	Fa8	50,000	180°	3000	82	96	8
1755300	Y	VIV-T8BPSP4/Fa8/42W/35/F/DE (8FT)	42	120-277	5300	Fa8	50,000	180°	3500	82	96	8
1755400	Y	VIV-T8BPSP4/Fa8/42W/40/F/DE (8FT)	42	120-277	5400	Fa8	50,000	180°	4000	82	96	8
1755500	Y	VIV-T8BPSP4/Fa8/42W/50/F/DE (8FT)	42	120-277	5500	Fa8	50,000	180°	5000	82	96	8
T8 Bypass PET film IV 8FT R17d 120-277V, Double-ended												
1755201	-	VIV-T8BPSP4/R17d/42W/30/F/DE (8FT)	42	120-277	5300	R17d	50,000	180°	3000	82	96	8
1755301	-	VIV-T8BPSP4/R17d/42W/35/F/DE (8FT)	42	120-277	5300	R17d	50,000	180°	3500	82	96	8
1755401	-	VIV-T8BPSP4/R17d/42W/40/F/DE (8FT)	42	120-277	5400	R17d	50,000	180°	4000	82	96	8
1755501	-	VIV-T8BPSP4/R17d/42W/50/F/DE (8FT)	42	120-277	5500	R17d	50,000	180°	5000	82	96	8
T8 Bypass PET film IV 8FT Fa8 347V, Double-ended												
1755202	Y	VIV-T8BPSP4/Fa8/42W/30/F/DE/347V	42	347	5300	Fa8	50,000	180°	3000	82	96	8
1755302	Y	VIV-T8BPSP4/Fa8/42W/35/F/DE/347V (8FT)	42	347	5300	Fa8	50,000	180°	3500	82	96	8
1755402	Y	VIV-T8BPSP4/Fa8/42W/40/F/DE/347V (8FT)	42	347	5400	Fa8	50,000	180°	4000	82	96	8
1755502	Y	VIV-T8BPSP4/Fa8/42W/50/F/DE/347V (8FT)	42	347	5500	Fa8	50,000	180°	5000	82	96	8
T8 Bypass PET film f IV 8FT R17d 347V, Double-ended												
1755203	-	VIV-T8BPSP4/R17d/42W/30/F/DE/347V (8FT)	42	347	5300	R17d	50,000	180°	3000	82	96	8
1755303	-	VIV-T8BPSP4/R17d/42W/35/F/DE/347V (8FT)	42	347	5300	R17d	50,000	180°	3500	82	96	8
1755403	-	VIV-T8BPSP4/R17d/42W/40/F/DE/347V (8FT)	42	347	5400	R17d	50,000	180°	4000	82	96	8
1755503	-	VIV-T8BPSP4/R17d/42W/50/F/DE/347V (8FT)	42	347	5500	R17d	50,000	180°	5000	82	96	8



**SHATTERPROOF**  
Ballast Bypass

# LED LAMP

## VIVID Series



R17D

### VIV-T8BPSP Nano - Sign Light



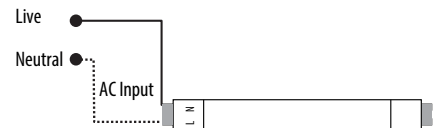
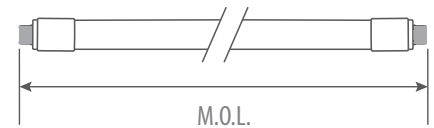
#### Features & Benefits

- Double sided LED strip design offers perfect 330° beam angle for outstanding light distribution
- High-transmittance nano-plastic tube, Shatterproof, no bending under high temperature
- Ideal to replace T8HO or T12HO fluorescent lamps for lighting sign boxes
- Ballast Bypass, Single-ended wiring (no ballast required)

- NSF/ANSI 2 Certified<sup>1</sup>, suitable for splash zones of food equipment
- R17D End Caps
- Tube adjustable for optimized illumination
- 50,000 hour life (L70), High CRI (83+)
- 24", 36", 48", 60", 72", 84", 96", 108" and 120" length

<sup>1</sup>Need to work with ETL Sanitation certified lighting fixtures

#### Dimensional drawing



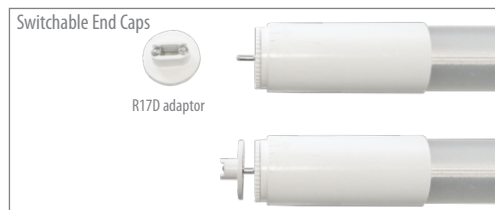
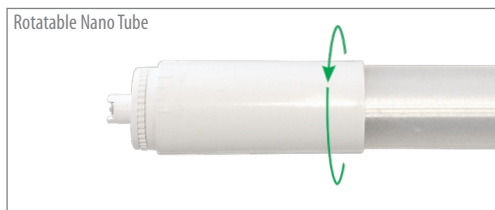
Single-ended wiring, opposite socket to remain unwired.

#### Warranty & Cautions

- 3-year limited warranty
- Bulb wall temperature range between -40°C and +45°C
- Sockets must be non-shunted

#### Product Specification

Ordering Code	Model Number	Description	Lamp Power (W)	System Power (W)	Initial Lumen (lm)	Base	Voltage (V)	Hour Rating	Beam Angle	CCT(K)	CRI	M.O.L. (inch)	Case QTY.
1762602	VIV-T8BPSP/N/9W/65/DS/2FT	T8 Bypass 2ft 9W R17D 65K Frost Shatterproof Double Sided	9	9	1250	R17D	120-277	50,000	330	6500	83	24	10
1762603	VIV-T8BPSP/N/12W/65/DS/3FT	T8 Bypass 3ft 12W R17D 65K Frost Shatterproof Double Sided	12	12	1650	R17D	120-277	50,000	330	6500	83	36	10
1763601	VIV-T8BPSP/N/18W/65/DS/4FT	T8 Bypass 4ft 18W R17D 65K Frost Shatterproof Double Sided	18	18	2500	R17D	120-277	50,000	330	6500	83	48	10
1764601	VIV-T8BPSP/N/24W/65/DS/5FT	T8 Bypass 5ft 24W R17D 65K Frost Shatterproof Double Sided	24	24	3350	R17D	120-277	50,000	330	6500	83	60	10
1764602	VIV-T8BPSP/N/30W/65/DS/6FT	T8 Bypass 6t 30W R17D 65K Frost Shatterproof Double Sided	30	30	4200	R17D	120-277	50,000	330	6500	83	72	10
1764604	VIV-T8BPSP/N/32W/65/DS/7FT	T8 Bypass 7ft 32W R17D 65K Frost Shatterproof Double Sided	32	32	4500	R17D	120-277	50,000	330	6500	83	84	10
1765600	VIV-T8BPSP/N/36W/65/DS/8FT	T8 Bypass 8ft 36W R17D 65K Frost Shatterproof Double Sided	36	36	5000	R17D	120-277	50,000	330	6500	83	96	10
1765602	VIV-T8BPSP/N/42W/65/DS/9FT	T8 Bypass 9ft 42W R17D 65K Frost Shatterproof Double Sided	42	42	5800	R17D	120-277	50,000	330	6500	83	108	10
1765601	VIV-T8BPSP/N/48W/65/DS/10FT	T8 Bypass 10ft 48W R17D 65K Frost Shatterproof Double Sided	48	48	6700	R17D	120-277	50,000	330	6500	83	120	10



#### Ordering Information Example: VIV-T8BPSP/N/24W/65/DS/5FT

LED CLASS	LAMP TYPE	BYPASS, SHATTERPROOF	MATERIAL	WATTAGE	CCT(K)	LED STRIPS	LENGTH
VIV (Vivid)	T8	BPSP (Bypass, Shatterproof)	N (Nano)	9W, 12W 18W, 24W 30W, 32W 36W, 42W, 48W	65 (6500K)	DS (Double Sided)	2FT (24"), 3FT (36") 4FT (48"), 5FT (60") 6FT (72"), 7FT (84") 8FT (96")**, 9FT (108")**, 10FT (120")**

\*\* Be sure set nano PCB (printed circuit board) is vertical to avoid tube distortion (sagging).



**SHATTERPROOF**  
Ballast Bypass

**LED LAMP**

**VIVID Series**



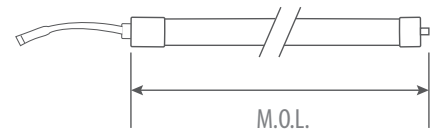
## VIV-T8BPSP Nano - Freezer/Cooler



### Features & Benefits

High-transmittance nano-plastic tube, Shatterproof, no bending under high temperature	NSF/ANSI 2 Certified <sup>1</sup> , suitable for splash zones of food equipment
Design for Freezer/Cooler application	48", 60" and 72" length
Plugs directly into AC outlet, instant startup	50,000 hour life (L70), High CRI (83+)
Ballast Bypass (no ballast required)	Wet locatoin approved
Mounting Brackets and 72" power cord included	<sup>1</sup> Need to work with ETL Sanitation certified lighting fixtures

### Dimensional drawing



### Warranty & Cautions

- 5-year limited warranty
- Bulb wall temperature range between -30°C and +40°C

### Product Specification

Ordering Code	Model Number	Description	Lamp Power (W)	System Power (W)	Initial Lumen (lm)	Voltage (V)	Hour Rating	Beam Angle	CCT(K)	CRI	M.O.L. (inch)	Case QTY.
1753400	VIV-T8BPSP/N/18W/40/F/FC (4FT)	Bypass Nano 4ft 18W G13 40K Frost Shatterproof Freezer/Cooler	18	18	2250	120-277	50,000	160	4000	83	47.4"	25
1754400	VIV-T8BPSP/N/22W/40/F/FC/5FT	Bypass Nano 5ft 22W G13 40K Frost Shatterproof Freezer/Cooler	22	22	2750	120-277	50,000	160	4000	83	59.4"	25
1754401	VIV-T8BPSP/N/26W/40/F/FC/6FT	Bypass Nano 6ft 26W G13 40K Frost Shatterproof Freezer/Cooler	26	26	3250	120-277	50,000	160	4000	83	71.4"	12

### Accessories



### Ordering Information Example: VIV-T8BPSP/N/18W/40/F/FC

LED CLASS	LAMP TYPE	BYPASS, SHATTERPROOF	MATERIAL	WATTAGE	CCT(K)	FROST	APPLICATION
VIV (Vivid)	T8	BPSP (Bypass, Shatterproof)	N (Nano)	18W 22W 26W	40 (4000K)	F (Frost)	FC (Freezer/Cooler)





# LED LAMP

## VIVID Series



### VIV-T8BPSP/I95



#### Features & Benefits

- Full Spectrum (R9 >90), High CRI (95+)
- 120-347V
- Ballast Bypass (no ballast required)
- PET film, ShatterProtect<sup>1</sup>
- 50,000 hour life (L70), 180° Beam angle

<sup>1</sup>ShatterProtect utilizes PET film to reduce the unexpected risk of shattering  
<sup>2</sup>Need to work with NSF certified lighting fixtures

- Double-ended wiring
- 48" length
- NSF/ANSI 2 Certified<sup>2</sup>
- Our safety features allow for installation as well as misapplication protection<sup>3</sup>

<sup>3</sup>Contact your local Turolight representative for detail

#### Dimensional drawing



#### Warranty & Cautions

- 5-year limited warranty
- Bulb wall temperature range between -20°C and +45°C

#### Applications

Ideal for paint booth, printing workshop, art school or any other applications required ultimate light quality with energy saving solution.

#### Product Specification

Ordering Code	Model Number	Description	Watts (W)	Voltage (V)	Initial Lumen (lm)	Base	Hour Rating	Beam Angle	CCT(K)	CRI	M.O.L. (inch)	Case QTY.
1753500	VIV-T8BPSP/I95/18.5W/57/F/120-347V	Bypass CRI95 4ft 18.5W G13 5700K Frost Shatterprotect 120-347V	18.5	120-347	2100	G13	50,000	180	5700	95	48	10

#### Ordering Information Example: VIV-T8BPSP/I95/18.5W/57/F/120-347V

LED CLASS	LAMP TYPE	BYPASS, SHATTERPROOF	CRI	WATTAGE	CCT(K)	FROST	Voltage
VIV (Vivid)	T8	BPSP (Bypass, PET film)	I95 (CRI≥95)	18.5W	57 (5700K)	F (Frost)	120-347V



**Hybrid** (Electronic Ballast Compatible / Ballast Bypass)

Hybrid LED tubes are able to work with any existing lighting technology, whether it has an electronic ballast or ballast bypass.

**LED LAMP**  
**VIVID Series**



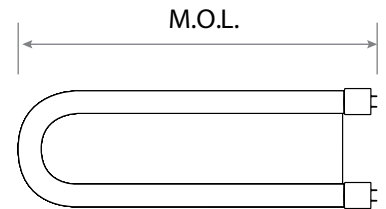
**VIV-T8HY/U1, VIV-T8HY/U6**

**Features & Benefits**

DLC approved, replaces fluorescent U1/ U6 lamps	50,000 hour life, 180° Beam angle, High CRI (83+)
One solution for both Direct Fit and Bypass options	PC tube safe for splash zones of food equipment
Direct Fit, compatible with most Instant Start Ballast & Rapid Start Ballast <sup>1</sup>	IP20, suitable for damp location
Bypass, works for both single and double ended wiring options	Fits into existing linear fixtures, no socket changes.

<sup>1</sup> For detail, you may contact your sales person or check [www.turolight.com](http://www.turolight.com) for ballast compatibility list

**Dimensional drawing**



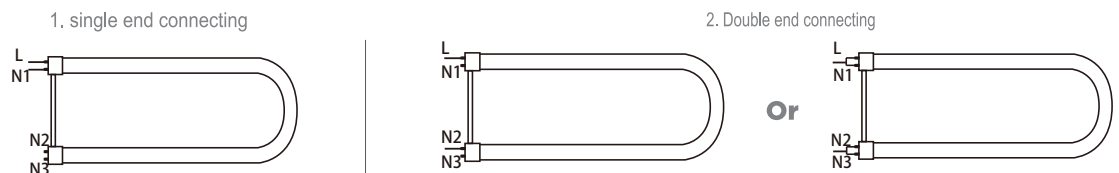
**Warranty & Cautions**

5-year limited warranty for DLC listed lamps  
Bulb wall temperature range between -20°C and +45°C

**Product Specification**

Ordering Code	DLC	Model Number	Description	Lamp Power (Bypass W)	System Power (Ballast W)	Initial Lumen (lm)	Base	Voltage (V)	Hour Rating	Beam Angle	CCT(K)	CRI	M.O.L. (inch)	Case QTY.
1752416	Y	VIV-T8HY/U6/13W/30/F	LED T8 U6 Hybrid 13W 3000K 50000hrs G13 DLC	13	16	1900	G13	120-277	50,000	180	3000	83	24	24
1752511	Y	VIV-T8HY/U6/13W/35/F	LED T8 U6 Hybrid 13W 3500K 50000hrs G13 DLC	13	16	2000	G13	120-277	50,000	180	3500	83	24	24
1752416	Y	VIV-T8HY/U6/13W/40/F	LED T8 U6 Hybrid 13W 4000K 50000hrs G13 DLC	13	16	1900	G13	120-277	50,000	180	4000	83	24	24
1752511	Y	VIV-T8HY/U6/13W/50/F	LED T8 U6 Hybrid 13W 5000K 50000hrs G13 DLC	13	16	2000	G13	120-277	50,000	180	5000	83	24	24
1752213	Y	VIV-T8HY/U1/13W/30/F	LED T8 U1 Hybrid 13W 3000K 50000hrs G13 DLC	13	16	1800	G13	120-277	50,000	180	3000	83	22.4	24
1752302	Y	VIV-T8HY/U1/13W/35/F	LED T8 U1 Hybrid 13W 3500K 50000hrs G13 DLC	13	16	1800	G13	120-277	50,000	180	3500	83	22.4	24
1752411	Y	VIV-T8HY/U1/13W/40/F	LED T8 U1 Hybrid 13W 4000K 50000hrs G13 DLC	13	16	1900	G13	120-277	50,000	180	4000	83	22.4	24
1752507	Y	VIV-T8HY4/U1/13W/50/F	LED T8 U1 Hybrid 13W 5000K 50000hrs G13 DLC	13	16	2000	G13	120-277	50,000	180	5000	83	22.4	24

**Bypass Wiring Diagram**



**Ordering Information** Example: VIV-T8HY/U1/13W/30/F

LED CLASS	LAMP TYPE	HYBRID	SHAPE	WATTAGE	CCT(K)	FROST
VIV (Vivid)	T8	HY (Hybrid)	U1 (U1 U-bend) U6 (U6 U-bend)	13W	30 (3000K) 35 (3500K) 40 (4000K) 50 (5000K)	F (Frost)



# LED LAMP

## VIVID Series



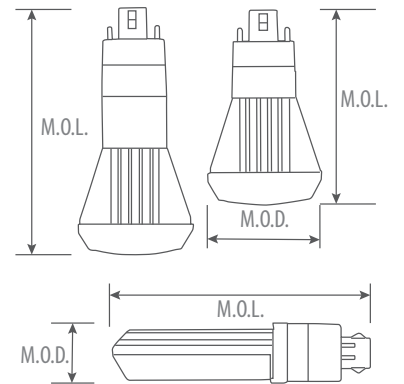
### VIV-PL/DF

#### Features & Benefits

- DLC approved
- High CRI (83+), 120° beam angle
- 3 Versions (Horizontal, Vertical and Vertical Long)
- Enclosed fixture application and wet location approved
- G24q base matches CFL G24q-1,2,3 and GX24q-2,3,4
- Compatible with most CFL electronic fluorescent ballast<sup>1</sup>
- 50,000 hour life (L70)

<sup>1</sup> For detail, you may contact your sales person or check [www.turolight.com](http://www.turolight.com) for ballast compatibility list

#### Dimensional drawing



#### Warranty & Cautions

- 5-year limited warranty for DLC listed lamps / 3-year limited warranty for non-DLC\*
- Operating temperature range between -20°C and +45°C

\*Please check the "Turolight LED Limited Warranty" for details

#### Product Specification

Ordering Code	DLC	Model Number	Description	Replacement CFL	Watts	Base	Voltage (V)	Hour Rating	Beam Angle	Initial Lumen (lm)	CCT(K)	CRI	Enclosed Fixtures Application	M.O.L. (inch)	M.O.D. (inch)	Case QTY.
1762192	-	VIV-PL/DF/9W/27/H	PL Direct Fit 9W 27K Horizontal	PLC 18W/26W G24q-1,G24q-2, G24q-3  PLT 18W GX24q-2 PLT 26W GX24q-3 PLT 32W GX24q-3	9	G24q	120/277	50,000	120	800	2700	83	Y	5.20	1.61	50
1762761	Y	VIV-PL/DF/9W/30/H	PL Direct Fit 9W 30K Horizontal		9	G24q	120/277	50,000	120	800	3000	83	Y	5.20	1.61	50
1762348	Y	VIV-PL/DF/9W/35/H	PL Direct Fit 9W 35K Horizontal		9	G24q	120/277	50,000	120	800	3500	83	Y	5.20	1.61	50
1762839	Y	VIV-PL/DF/9W/40/H	PL Direct Fit 9W 40K Horizontal		9	G24q	120/277	50,000	120	850	4000	83	Y	5.20	1.61	50
1762537	Y	VIV-PL/DF/9W/50/H	PL Direct Fit 9W 50K Horizontal		9	G24q	120/277	50,000	120	900	5000	83	Y	5.20	1.61	50
1762193	-	VIV-PL/DF/9W/27/V	PL Direct Fit 9W 27K Vertical		9	G24q	120/277	50,000	120	850	2700	83	Y	3.66	2.09	50
1762762	Y	VIV-PL/DF/9W/30/V	PL Direct Fit 9W 30K Vertical		9	G24q	120/277	50,000	120	850	3000	83	Y	3.66	2.09	50
1762349	Y	VIV-PL/DF/9W/35/V	PL Direct Fit 9W 35K Vertical		9	G24q	120/277	50,000	120	850	3500	83	Y	3.66	2.09	50
1762840	Y	VIV-PL/DF/9W/40/V	PL Direct Fit 9W 40K Vertical		9	G24q	120/277	50,000	120	900	4000	83	Y	3.66	2.09	50
1762538	Y	VIV-PL/DF/9W/50/V	PL Direct Fit 9W 50K Vertical		9	G24q	120/277	50,000	120	950	5000	83	Y	3.66	2.09	50
1762194	-	VIV-PL/DF/9W/27/VL	PL Direct Fit 9W 27K Vertical Long		9	G24q	120/277	50,000	120	850	2700	83	Y	4.65	2.09	50
1762763	Y	VIV-PL/DF/9W/30/VL	PL Direct Fit 9W 30K Vertical Long		9	G24q	120/277	50,000	120	850	3000	83	Y	4.65	2.09	50
1762350	Y	VIV-PL/DF/9W/35/VL	PL Direct Fit 9W 35K Vertical Long		9	G24q	120/277	50,000	120	850	3500	83	Y	4.65	2.09	50
1762841	Y	VIV-PL/DF/9W/40/VL	PL Direct Fit 9W 40K Vertical Long		9	G24q	120/277	50,000	120	900	4000	83	Y	4.65	2.09	50
1762539	Y	VIV-PL/DF/9W/50/VL	PL Direct Fit 9W 50K Vertical Long		9	G24q	120/277	50,000	120	950	5000	83	Y	4.65	2.09	50

#### Base Matches

PL G24q →



G24q-1



G24q-2



G24q-3



GX24q-2



GX24q-3



GX24q-4



## VIV-PLL/DF, VIV-PLL/BP



### Features & Benefits

Direct Fit and Ballast Bypass options	High CRI (83+), 180° beam angle
Kinds of length	Compatible with most CFL electronic fluorescent ballast <sup>1</sup>
50,000 hour life (L70)	<sup>1</sup> For detail, you may contact your sales person or check <a href="http://www.turolight.com">www.turolight.com</a> for ballast compatibility list

### Dimensional drawing



### Warranty & Cautions

3-year limited warranty
Operating temperature range between -20°C and +45°C

### Product Specification

Ordering Code	Model Number	Description	Replacement CFL	Watts	Base	Voltage (V)	Hour Rating	Beam Angle	Initial Lumen (lm)	CCT(K)	CRI	M.O.L. (inch)	Case QTY.
<b>PLL Replacement - Direct Fit</b>													
1762160	VIV-PLL/DF/15W/27	PLL Direct Fit 15W 27K	PLL 55W	15	2G11	120/277	50,000	180	1600	2700	83	21.06	50
1762705	VIV-PLL/DF/15W/30	PLL Direct Fit 15W 30K		15	2G11	120/277	50,000	180	1600	3000	83	21.06	50
1762319	VIV-PLL/DF/15W/35	PLL Direct Fit 15W 35K		15	2G11	120/277	50,000	180	1600	3500	83	21.06	50
1762493	VIV-PLL/DF/15W/40	PLL Direct Fit 15W 40K		15	2G11	120/277	50,000	180	1600	4000	83	21.06	50
1763112	VIV-PLL/DF/19W/27	PLL Direct Fit 19W 27K	PLL 55W	19	2G11	120/277	50,000	180	2000	2700	83	21.06	50
1763225	VIV-PLL/DF/19W/30	PLL Direct Fit 19W 30K		19	2G11	120/277	50,000	180	2000	3000	83	21.06	50
1763309	VIV-PLL/DF/19W/35	PLL Direct Fit 19W 35K		19	2G11	120/277	50,000	180	2000	3500	83	21.06	50
1763426	VIV-PLL/DF/19W/40	PLL Direct Fit 19W 40K		19	2G11	120/277	50,000	180	2000	4000	83	21.06	50
1763116	VIV-PLL/DF/19W/27/L	PLL Direct Fit 19W 27K Long	PLL 40W/50W	19	2G11	120/277	50,000	180	2000	2700	83	22.44	50
1763235	VIV-PLL/DF/19W/30/L	PLL Direct Fit 19W 30K Long		19	2G11	120/277	50,000	180	2000	3000	83	22.44	50
1763316	VIV-PLL/DF/19W/35/L	PLL Direct Fit 19W 35K Long		19	2G11	120/277	50,000	180	2000	3500	83	22.44	50
1763437	VIV-PLL/DF/19W/40/L	PLL Direct Fit 19W 40K Long		19	2G11	120/277	50,000	180	2000	4000	83	22.44	50
<b>PLL Replacement - Bypass</b>													
1762163	VIV-PLL/BP/8W/27	PLL Bypass 8W 27K	PLL 18W	8	2G11	120/277	50,000	180	640	2700	83	8.86	50
1762708	VIV-PLL/BP/8W/30	PLL Bypass 8W 30K		8	2G11	120/277	50,000	180	640	3000	83	8.86	50
1762322	VIV-PLL/BP/8W/35	PLL Bypass 8W 35K		8	2G11	120/277	50,000	180	640	3500	83	8.86	50
1762496	VIV-PLL/BP/8W/40	PLL Bypass 8W 40K		8	2G11	120/277	50,000	180	640	4000	83	8.86	50
1762164	VIV-PLL/BP/10W/27	PLL Bypass 10W 27K	PLL 24W	10	2G11	120/277	50,000	180	800	2700	83	12.60	50
1762709	VIV-PLL/BP/10W/30	PLL Bypass 10W 30K		10	2G11	120/277	50,000	180	800	3000	83	12.60	50
1762323	VIV-PLL/BP/10W/35	PLL Bypass 10W 35K		10	2G11	120/277	50,000	180	800	3500	83	12.60	50
1762497	VIV-PLL/BP/10W/40	PLL Bypass 10W 40K		10	2G11	120/277	50,000	180	800	4000	83	12.60	50
1762165	VIV-PLL/BP/15W/27	PLL Bypass 15W 27K	PLL 36W	15	2G11	120/277	50,000	180	1200	2700	83	16.34	50
1762710	VIV-PLL/BP/15W/30	PLL Bypass 15W 30K		15	2G11	120/277	50,000	180	1200	3000	83	16.34	50
1762324	VIV-PLL/BP/15W/35	PLL Bypass 15W 35K		15	2G11	120/277	50,000	180	1200	3500	83	16.34	50
1762498	VIV-PLL/BP/15W/40	PLL Bypass 15W 40K		15	2G11	120/277	50,000	180	1200	4000	83	16.34	50
1763113	VIV-PLL/BP/18W/27	PLL Bypass 18W 27K	PLL 55W	18	2G11	120/277	50,000	180	1500	2700	83	21.06	50
1763226	VIV-PLL/BP/18W/30	PLL Bypass 18W 30K		18	2G11	120/277	50,000	180	1500	3000	83	21.06	50
1763310	VIV-PLL/BP/18W/35	PLL Bypass 18W 35K		18	2G11	120/277	50,000	180	1500	3500	83	21.06	50
1763427	VIV-PLL/BP/18W/40	PLL Bypass 18W 40K		18	2G11	120/277	50,000	180	1500	4000	83	21.06	50



# LED LAMP

## VIVID Series



### VIV-PLL/DF

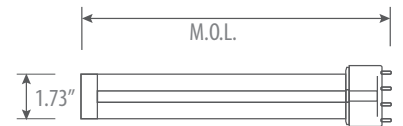


#### Features & Benefits

DLC approved	Enclosed fixture and damp location rated
Direct replacement CFL PLL 40W/50W	With thermal fuse for over-heat security
320° emitting angle, 160° beam angle	Direct fit, Compatible with most CFL electronic fluorescent ballast <sup>1</sup>
50,000 hour life (L70), High CRI (83+)	

<sup>1</sup> For detail, you may contact your sales person or check [www.turolight.com](http://www.turolight.com) for ballast compatibility list

#### Dimensional drawing



#### Warranty & Cautions

3-year limited warranty  
 Operating temperature range between -20°C and +40°C

#### Product Specification

Ordering Code	DLC	Model Number	Description	Replacement CFL	Watts	Base	Voltage (V)	Hour Rating	Beam Angle	Initial Lumen (lm)	CCT(K)	CRI	M.O.L. (inch)	Case QTY.
<b>PLL Replacement - Direct Fit</b>														
1752217	Y	VIV-PLL/DF/14W/30/L	PLL Direct Fit 14W 30K Long DLC	PLL 40W/50W	14	2G11	120-277, 347	50,000	160	2000	3000	83	22.44	50
1752306	Y	VIV-PLL/DF/14W/35/L	PLL Direct Fit 14W 35K Long DLC		14	2G11	120-277, 347	50,000	160	2050	3500	83	22.44	50
1752414	Y	VIV-PLL/DF/14W/40/L	PLL Direct Fit 14W 40K Long DLC		14	2G11	120-277, 347	50,000	160	2100	4000	83	22.44	50





# LED LAMP

## VIVID Series



### VIV-PLS/BP

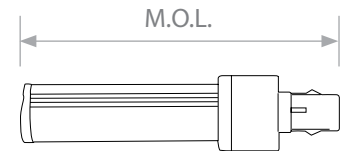


#### Features & Benefits

Bypass replacement for CFL PLS 2Pin (GX23)  
350~700lm  
50,000 hour life (L70)

High CRI (83+), 180° beam angle  
Damp location approved

#### Dimensional drawing



#### Warranty & Cautions

3-year limited warranty in commercial use from the date of purchase

Operating temperature range between -20°C and +50°C

UL/cUL listed, FCC compliant, RoHS compliant

#### Product Specification

Ordering Code	Model Number	Description	Watts	Base	Voltage (V)	Hour Rating	Beam Angle	Initial Lumen (lm)	CCT(K)	CRI	M.O.L. (inch)	Case QTY.
1751401	VIV-PLS/BP/4.5W/40/G23	PLS Bypass 4.5W 40K 2Pin	4.5	GX23	120/277	50,000	180	350	4000	83	5.79	50
1752417	VIV-PLS/BP/6W/40/GX23/S	PLS Bypass 6W 40K 2Pin	6	GX23	120/277	50,000	180	500	4000	83	6.75	50
1762161	VIV-PLS/BP/6W/27/2P	PLS Bypass 6W 27K 2Pin	6	GX23	120/277	50,000	180	500	2700	83	5.79	50
1762706	VIV-PLS/BP/6W/30/2P	PLS Bypass 6W 30K 2Pin	6	GX23	120/277	50,000	180	500	3000	83	5.79	50
1762320	VIV-PLS/BP/6W/35/2P	PLS Bypass 6W 35K 2Pin	6	GX23	120/277	50,000	180	500	3500	83	5.79	50
1762494	VIV-PLS/BP/6W/40/2P	PLS Bypass 6W 40K 2Pin	6	GX23	120/277	50,000	180	500	4000	83	5.79	50
1762162	VIV-PLS/BP/8W/27/2P	PLS Bypass 8W 27K 2Pin	8	GX23	120/277	50,000	180	700	2700	83	6.75	50
1762707	VIV-PLS/BP/8W/30/2P	PLS Bypass 8W 30K 2Pin	8	GX23	120/277	50,000	180	700	3000	83	6.75	50
1762321	VIV-PLS/BP/8W/35/2P	PLS Bypass 8W 35K 2Pin	8	GX23	120/277	50,000	180	700	3500	83	6.75	50
1762495	VIV-PLS/BP/8W/40/2P	PLS Bypass 8W 40K 2Pin	8	GX23	120/277	50,000	180	700	4000	83	6.75	50



# LED LAMP

## VIVID Series

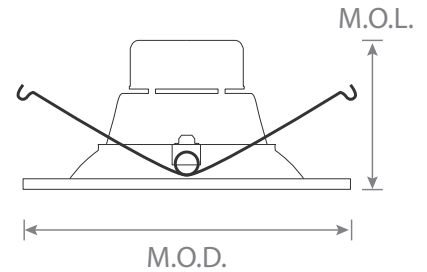


### VIV-RK (6" & 4")

#### Features & Benefits

Completely ideal to replace incandescent	120° Beam angle
Energy Star listed	15,000 hour average life
High CRI (80+), dimmable	Damp location rated

#### Dimensional drawing



#### Warranty & Cautions

3-year limited warranty
Operating temperature range between -40°C and +45°C
UL/cUL listed, FCC compliant, RoHS compliant

#### Product Specification

Ordering Code	ES	Model Number	Watts	Base	Voltage (V)	Hour Rating	Beam Angle	Initial Lumens(lm)	CCT (K)	CRI	Damp LOC.	M.O.D. (inch)	M.O.L. (inch)
1752200	Y	VIV-RK/6/12W/30/D (2PK)	12	E26	120	15,000	120°	820	3000	80	Y	7.48	2.36
1752201	Y	VIV-RK/4/9W/30/D (2PK)	9	E26	120	15,000	120°	620	3000	80	Y	5.71	2.05

#### Ordering Information Example: VIV-RK/6/13W/30/D

LED CLASS	LAMP TYPE	SIZE	WATTAGE	CCT(K)	DIMMABLE
VIV (Vivid)	RK (Retrofit Kit)	6 (6") 4 (4")	12W 9W	30 (3000K)	D (dimmable) 2PK (2 pcs /pack)



# LED LAMP

## VIVID Series

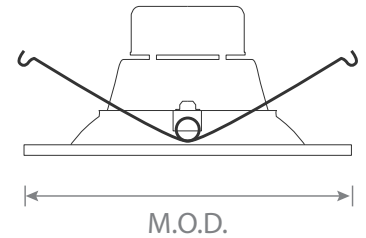
### VIV-RK 6"



#### Features & Benefits

1100 Lumens	Compatible with 5" and 6" standard recessed housings
Energy Star listed	50,000 hour average life
High CRI (80+), dimmable	Damp location rated

#### Dimensional drawing



#### Warranty & Cautions

3-year limited warranty
Operating temperature range between -20°C and +45°C
UL/cUL listed, FCC compliant, RoHS compliant

#### Product Specification

Ordering Code	ES	Model Number	Watts	Base	Voltage (V)	Hour Rating	Beam Angle	Initial Lumens(lm)	CCT (K)	CRI	Damp LOC.	M.O.D. (inch)
1762779	Y	VIV-RK/6/10W/30/D	10	E26	120	50,000	120°	620	3000	80	Y	7.32
1762861	Y	VIV-RK/6/10W/40/D	10	E26	120	50,000	120°	640	4000	80	Y	7.32
1762777	Y	VIV-RK/6/16W/30/D	16	E26	120	50,000	120°	1050	3000	80	Y	7.32
1762859	Y	VIV-RK/6/16W/40/D	16	E26	120	50,000	120°	1100	4000	80	Y	7.32

#### Ordering Information Example: VIV-RK/6/13W/30/D

LED CLASS	LAMP TYPE	SIZE	WATTAGE	CCT(K)	DIMMABLE
VIV (Vivid)	RK (Retrofit Kit)	6 (6")	10W 16W	30 (3000K) 40 (4000K)	D (dimmable)

# LED FIXTURE

## DL Series

# LED Vapor Tight DL-VT

Linear 4' or 8' IP65 rated luminaire, suitable for wet locations.



### Features & Benefits

CUL listed, DLC	LED module with LG / Everlight chip
High impact polycarbonate grey housing, IK08	130 lm/W
High impact diffuser polycarbonate IK08, Opal lens	Stainless steel fastening clips
Stainless steel mounting brackets included	IP 65 rated
c/w PG13.5 threaded cable gland	Optional microwave motion sensor
0-10V Dimming / Philips / Meanwell LED Driver	L70 @ 50,000 HRS

### Warranty

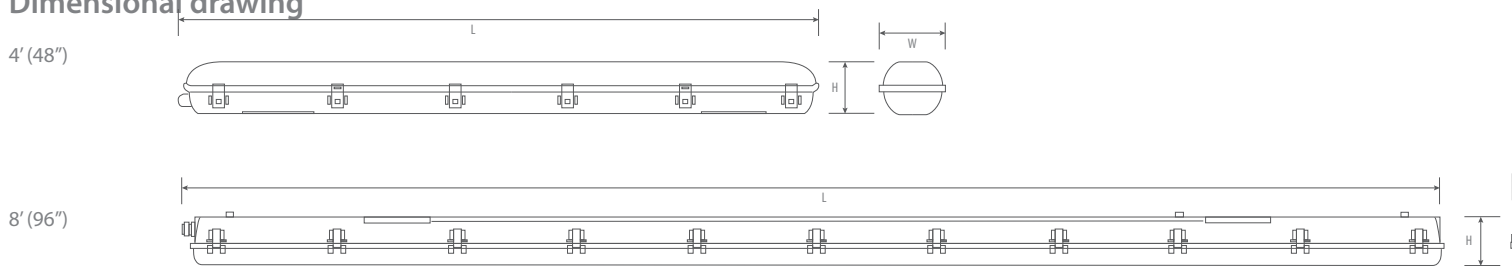
5-year limited warranty in commercial use from the date of purchase
Operating temperature range between -20°C and +40°C

\*Special environment use, please contact your sales representative

### Applications

Indoor or outdoor, suitable for waterproof, dustproof and moistureproof needs\*\*  
 Parking garage, Truck shop, Stairwell, Breeze way, Corridor, Car wash etc.

### Dimensional drawing



	L	W	H
4' (48")	48.0"	4.9"	4.1"
8' (96")	99.0"	6.3"	4.3"



# LED Vapor Tight

## DL-VT

### Ordering Information Example: DL-VT/4F/40W/40/UNV/D

Family Name	Fixture Type	Size	Wattage	CCT	Voltage (V)	Dimmable	Options
DL (Deltalum)	VT (Vapor Tight)	4F(4 feet)	40W 60W	40 (4000K) 50 (5000K)	120-347V	D (Dimmable)	S (Microwave Motion Sensor)
		8F(8 feet)**	80W 100W 120W		UNV (120-277V) HVU (347-480V)		

\*\* NSF rated

### Product Specification

Ordering Code	DLC	Model Number	Wattage (W)	Input Voltage (V)	Hour Rating	Beam Angle	Initial Delivered Lumens (lumen)	CCT (K)	CRI	M.O.L (inch)	Case QTY.
3665244	Yes	DL-VT/4F/40W/40/120-347V/D	40W	120-347V	50,000	120	5,200	4000K	>80	48	4
3665245	Yes	DL-VT/4F/40W/50/120-347V/D	40W	120-347V	50,000	120	5,200	5000K	>80	48	4
3666238	Yes	DL-VT/4F/60W/40/120-347V/D	60W	120-347V	50,000	120	7,800	4000K	>80	48	4
3666239	Yes	DL-VT/4F/60W/50/120-347V/D	60W	120-347V	50,000	120	7,800	5000K	>80	48	4
3666118	Yes	DL-VT/8F/80W/40/UNV/D	80W	120-277V	50,000	120	10,400	4000K	>80	96	1
3666119	Yes	DL-VT/8F/80W/50/UNV/D	80W	120-277V	50,000	120	10,400	5000K	>80	96	1
3666218	Yes	DL-VT/8F/80W/40/HVU/D	80W	347V-480V	50,000	120	10,400	4000K	>80	96	1
3666219	Yes	DL-VT/8F/80W/50/HVU/D	80W	347V-480V	50,000	120	10,400	5000K	>80	96	1
3666120	No	DL-VT/8F/100W/40/UNV/D	100W	120-277V	50,000	120	12,500	4000K	>80	96	1
3666221	No	DL-VT/8F/100W/50/UNV/D	100W	120-277V	50,000	120	12,500	5000K	>80	96	1
3667109	Yes	DL-VT/8F/120W/40/UNV/D	120W	120-277V	50,000	120	15,000	4000K	>80	96	1
3667110	Yes	DL-VT/8F/120W/50/UNV/D	120W	120-277V	50,000	120	15,000	5000K	>80	96	1
3667210	Yes	DL-VT/8F/120W/40/HVU/D	120W	347V-480V	50,000	120	15,000	4000K	>80	96	1
3667211	Yes	DL-VT/8F/120W/50/HVU/D	120W	347V-480V	50,000	120	15,000	5000K	>80	96	1
		"S"	Microwave Motion Sensor								



# LED FIXTURE

## DL Series



# LED Vapor Tight DL-VT4X (NEMA 4X)

Linear, IP66 NEMA 4X rated Luminaire



### Features & Benefits

CUL listed, DLC Premium	IP 66 rated NEMA 4X, NSF certified
High impact composite grey housing, IK08	120-347V Auto-Sensing Driver
High impact diffuser 5VA IK08, frosted lens	130 lm/W
Stainless steel clips included	0-10V Dimming
Stainless steel mounting brackets included	Optional microwave motion sensor, emergency battery
c/w PG13.5 threaded cable gland	L70 @ 50,000 HRS

### Warranty

5-year limited warranty in commercial use from the date of purchase

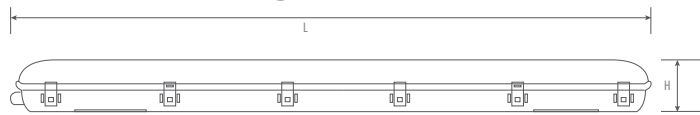
Operating temperature range between -40°C and +55°C

### Applications

Indoor or outdoor, suitable for waterproof, dustproof and moistureproof needs\*.

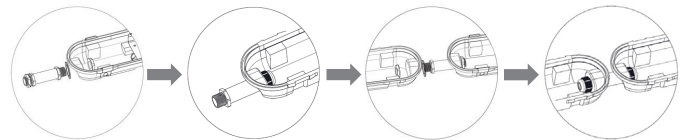
\*Special environment use, please contact your sales representative

### Dimensional drawing



L	W	H
48.1"	4.0"	3.3"

### Connector Installation



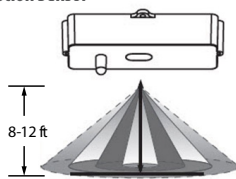
Wiring Connector: DL-VT4X/TWC

### Product Specification

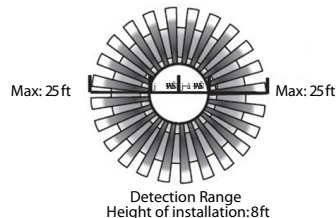
Ordering Code	DLC Premium	Model Number	Description	Watts (W)	Voltage (V)	Hour Rating	Beam Angle	Lumens (lm)	CCT (K)	CRI	Options	Case QTY.
3665300	Yes	DL-VT4X/4F/40W/40/120-347V/D	Vapor Tight 4ft 40W 4000K 120-347V Auto-Sensing Driver 0-10V Dim	40W	120-347V	50,000	120°	5,300	4000	>80	Sensor, Emergency Battery	4
3665301	Yes	DL-VT4X/4F/40W/50/120-347V/D	Vapor Tight 4ft 40W 5000K 120-347V Auto-Sensing Driver 0-10V Dim	40W	120-347V	50,000	120°	5,300	5000	>80	Sensor, Emergency Battery	4
3664301	Yes	DL-VT4X/2F/24W/40/120-347V/D	Vapor Tight 2ft 24W 4000K 120-347V Auto-Sensing Driver 0-10V Dim	24W	120-347V	50,000	120°	3,100	4000	>80	Sensor, Emergency Battery	4
3664302	Yes	DL-VT4X/2F/24W/50/120-347V/D	Vapor Tight 2ft 24W 5000K 120-347V Auto-Sensing Driver 0-10V Dim	24W	120-347V	50,000	120°	3,100	5000	>80	Sensor, Emergency Battery	4
3660110	-	DL-VT4X/Remote	Hand Held Remote									
	-	DL-VT4X/TWC	Tandem Wiring Connector									
	-	S	Microwave Motion Sensor									

### Options Information

#### Motion Sensor

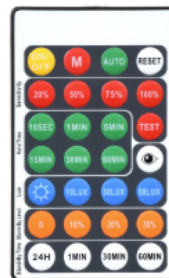


Height of Installation: 8-12 ft



Detection Range  
Height of installation: 8ft

#### Vapor Tight Remote DL-VT4X/Remote



Maximum Operating Range: 33 feet

The following settings can be customized:

- Sensitivity for motion detection
- Hold Time
- Standby level 0/ 10/20/30 percent
- Standby time 24H/ 1M/ 30M/ 60M
- Level where the daylight sensor turn off the fixture

#### Default Settings:

Sensitivity 100%, Standby time 5min, Dimming level 30%  
Dimming time 60min

#### Default Settings:

Motion: 100% lumen output  
≥5min with no motion: 30% lumen output  
≥60min with no motion: OFF

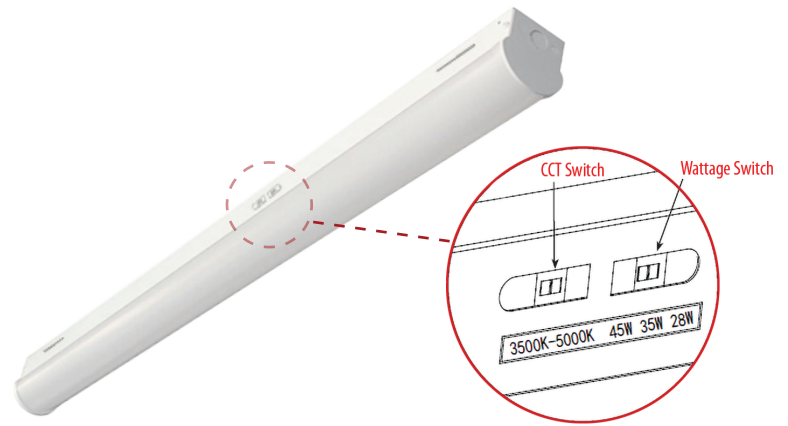


# LED FIXTURE

## DL Series

### LED Eco-Commercial Strip DL-EC NEW MW-MK

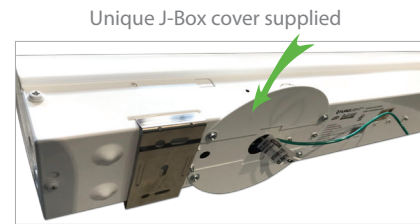
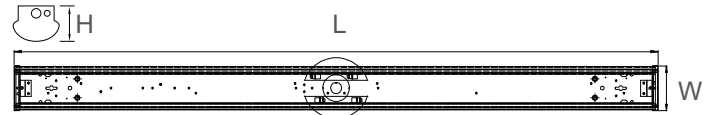
Linear 4' and 8' LED strip light, 120-347V auto-sensing driver  
Multiple Wattage - Multiple Kelvin



#### Features & Benefits

- cUL listed, DLC(Premium)
- Selectable wattage and adjustable CCT
- 4' and 8' length selection
- 120-347V Auto-sensing driver, 0-10V dimming
- Average rated life 100,000 hrs L70 (TM-21 @ 70 °C), CRI ≥ 80
- White metal finish, PMMA Opal Lens
- Surface or Suspended mounting, row mountable w/ joiner plate
- Damp location rated
- Operating temperature range between -20°C and +50°C

#### Dimensional Drawing



	L	W	H
4FT	47.3"	3.3"	3.6"
8FT	94.2"	3.3"	3.6"

#### Warranty

5-year limited warranty in commercial use from the date of purchase

#### Applications

Offices, Hallways, Multipurpose Rooms, Warehouse etc.

#### Ordering Information Example: DL-EC/4F/56W/MK/120-347V/D

Family Name	Fixture Type	Size	Wattage	CCT	Voltage	Dimmable	Sensor	Option
DL (Detalum)	EC (Eco-Commercial)	4F (4') 4FS (4' Small Wattage) 4FL (4' Large Wattage) 8FL (8' Large Wattage)	56W MW (Multiple Wattage)	MK (Multiple CCT)	120-347V	D (Dimmable)	S (Sensor)	RM (Row MTG Plate) S (Microwave Sensor) TL-2052 PIR Sensor

#### Product Specification

Ordering Code	DLC (Premium)	Model Number	Wattage (W)	Input Voltage (V)	Hour Rating (L70)	Beam Angle	Initial Delivered Lumens (lumen)	CCT (K)	CRI	Damp Location	M.O.L (inch)	Case QTY.
3666309	Y	DL-EC/4F/56W/MK/120-347V/D	56	120-347V	100,000	120°	7280	35-40-50	>80	Yes	48	6
3666306	Y	DL-EC/4FS/MW/MK/120-347V/D	30-25-18	120-347V	100,000	120°	3900-3250-2340	35-40-50	>80	Yes	48	6
3666307	Y	DL-EC/4FL/MW/MK/120-347V/D	45-38-34	120-347V	100,000	120°	5850-4940-4420	35-40-50	>80	Yes	48	6
3666308	Y	DL-EC/8FL/MW/MK/120-347V/D	90-75-65	120-347V	100,000	120°	11700-9750-8450	35-40-50	>80	Yes	96	4
3666310	Y	DL-EC/4F/56W/MK/120-347V/D/S	56	120-347V	100,000	120°	7280	35-40-50	>80	Yes	48	6
3666311	Y	DL-EC/4FL/MW/MK/120-347V/D/S	45-38-34	120-347V	100,000	120°	5850-4940-4420	35-40-50	>80	Yes	48	6
3666312	Y	DL-EC/8FL/MW/MK/120-347V/D/S	90-75-65	120-347V	100,000	120°	11700-9750-8450	35-40-50	>80	Yes	96	4
3660057		DL-EC/4F/LENS	4ft, replacement white PMMA lens									
3660058		DL-EC/8F/LENS	8ft, replacement white PMMA lens									
3660092		DL-EC/4F/WG	4ft, Wire guard									
Option		DL-EC/RM	Row mounting plate									
		S	Microwave sensor factory installed (consult for lead time)									
		TL-2052	PIR motion sensor (sold separately)									

# LED FIXTURE

## DL Series

# LED Eco-Commercial Strip DL-EC

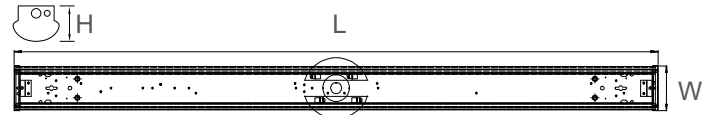
Linear 2', 3', 4' and 8' LED strip light, 120-347V auto-sensing driver



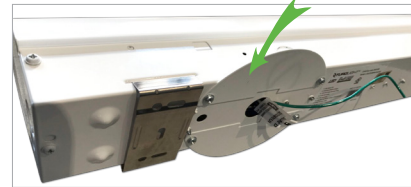
### Features & Benefits

- \_\_\_\_\_ CUL listed, DLC(Premium)
- \_\_\_\_\_ 2', 3', 4' and 8' length selection
- \_\_\_\_\_ 120-347V Auto-sensing driver (except 90W), 0-10V dimming
- \_\_\_\_\_ Average rated life 100,000 hrs L70 (TM-21 @ 70 °C), CRI ≥ 80
- \_\_\_\_\_ System light efficacy ≥ 130lm per watt
- \_\_\_\_\_ White metal finish (black available for special order), PMMA Opal Lens
- \_\_\_\_\_ Surface or Suspended mounting, row mountable w/ joiner plate
- \_\_\_\_\_ Damp location rated

### Dimensional Drawing



Unique J-Box cover supplied



	L	W	H
2FT	22.2"	3.3"	3.6"
3FT	35.0"	3.3"	3.6"
4FT	47.3"	3.3"	3.6"
8FT	94.2"	3.3"	3.6"

### Warranty

- \_\_\_\_\_ 5-year limited warranty in commercial use from the date of purchase
- \_\_\_\_\_ Operating temperature range between -20°C and +50°C

### Applications

Offices, Hallways, Multipurpose Rooms, Warehouse etc.

### Ordering Information Example: DL-EC/4F/35W/40/120-347V/D/S

Family Name	Fixture Type	Size	Wattage	CCT	Voltage	Dimmable	Sensor	Option
DL (Deltalum)	EC (Eco-Commercial)	2F (2')	20W (2')	35 (3500K)	120-347V	D (Dimmable)	S (Sensor)	RM (Row MTG Plate) S (Microwave Sensor) TL-2052 PIR Sensor
		3F (3')	25W (3')	40 (4000K)	UNV (120-277V)			
		4F (4')	35W, 45W, 56W (4')	50 (5000K)	347V			
		8F (8')	65W, 90W (8')					

### Product Specification

Ordering Code	DLC (Premium)	Model Number	Wattage (W)	Input Voltage (V)	Hour Rating(L70)	Beam Angle	Initial Delivered Lumens (lumen)	CCT (K)	CRI	Damp Location	M.O.L (inch)
3663209	Y	DL-EC/2F/20W/35/120-347V/D	20	120-347V	100,000	120°	2,600	3500K	>80	Yes	22.2"
3663208	Y	DL-EC/2F/20W/40/120-347V/D	20	120-347V	100,000	120°	2,600	4000K	>80	Yes	22.2"
3664206	Y	DL-EC/3F/25W/40/120-347V/D	25	120-347V	100,000	120°	3,250	4000K	>80	Yes	35.0"
3665250	Y	DL-EC/4F/35W/35/120-347V/D	35	120-347V	100,000	120°	4,550	3500K	>80	Yes	47.3"
3665225	Y	DL-EC/4F/35W/40/120-347V/D	35	120-347V	100,000	120°	4,550	4000K	>80	Yes	47.3"



# LED Eco-Commercial Strip

## DL-EC

Ordering Code	DLC (Premium)	Model Number	Wattage (W)	Input Voltage (V)	Hour Rating(L70)	Beam Angle	Initial Delivered Lumens (lumen)	CCT (K)	CRI	Damp Location	M.O.L (inch)
3665242	Y	DL-EC/4F/35W/40/120-347V/D/S	35	120-347V	100,000	120°	4,550	4000K	>80	Yes	47.3"
3665226	Y	DL-EC/4F/35W/50/120-347V/D	35	120-347V	100,000	120°	4,585	5000K	>80	Yes	47.3"
3665251	Y	DL-EC/4F/45W/35/120-347V/D	45	120-347V	100,000	120°	5,850	3500K	>80	Yes	47.3"
3665227	Y	DL-EC/4F/45W/40/120-347V/D	45	120-347V	100,000	120°	5,850	4000K	>80	Yes	47.3"
3665246	Y	DL-EC/4F/45W/40/120-347V/D/S	45	120-347V	100,000	120°	5,850	4000K	>80	Yes	47.3"
3666247	Y	DL-EC/4F/56W/40/120-347V/D	56	120-347V	100,000	120°	7,280	4000K	>80	Yes	47.3"
3666248	Y	DL-EC/4F/56W/40/120-347V/D/S	56	120-347V	100,000	120°	7,280	4000K	>80	Yes	47.3"
3666229	Y	DL-EC/8F/65W/40/120-347V/D	65	120-347V	100,000	120°	8,450	4000K	>80	Yes	94.2"
3666230	Y	DL-EC/8F/65W/50/120-347V/D	65	120-347V	100,000	120°	8,515	5000K	>80	Yes	94.2"
3666137	Y	DL-EC/8F/90W/40/UNV/D	90	120-277V	100,000	120°	11,700	4000K	>80	Yes	94.2"
3666237	Y	DL-EC/8F/90W/40/347V/D	90	347V	100,000	120°	11,700	4000K	>80	Yes	94.2"
3660055		DL-EC/2F/LENS	2ft, replacement white PMMA lens								
3660056		DL-EC/3F/LENS	3ft, replacement white PMMA lens								
3660057		DL-EC/4F/LENS	4ft, replacement white PMMA lens								
3660058		DL-EC/8F/LENS	8ft, replacement white PMMA lens								
3660092		DL-EC/4F/WG	4ft, Wire guard								
Option		DL-EC/RM	Row mounting plate								
		S	Microwave sensor factory installed (consult for lead time)								
		TL-2052	PIR motion sensor (sold separately)								

# LED FIXTURE

## DL Series

# LED Connect Strip

## DL-CS

Linear 2' or 4' LED strip light



### Features & Benefits

- CUL listed, DLC
- Familiar surface strip design in 2' and 4' length, low profile
- Multiple lumen options to suite most applications
- Integral-LED luminaire (no lamps required), LED Driver PF>0.9
- Strips are linkable either with connector supplied or by optional connecting cables
- 15 pcs @ 40W, 25 pcs @ 20W or 30 pcs @ 10W

- L70 @ 50,000 HRS
- White metal housing construction, PC Opal Lens
- 120-347V auto-sensing driver, 0-10V dimmable
- Damp location rated

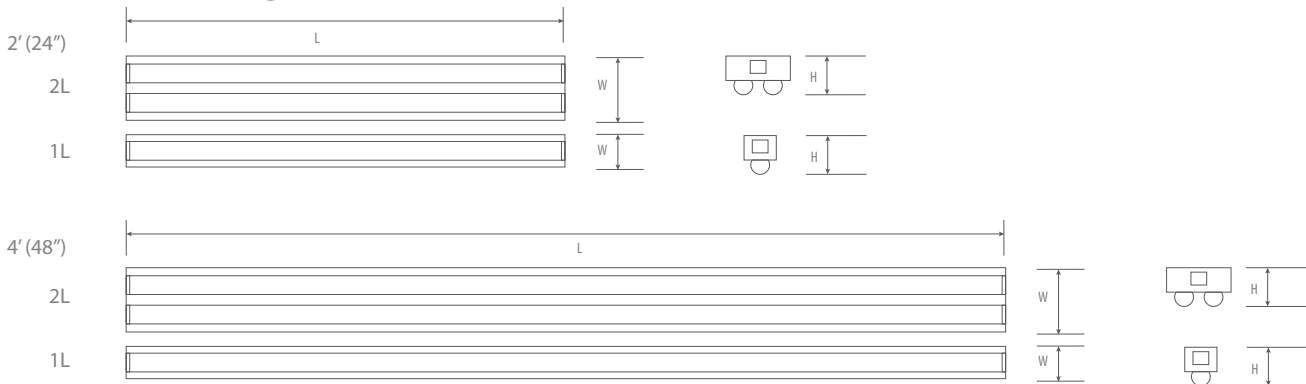
### Warranty

- 5-year limited warranty in commercial use from the date of purchase
- Operating temperature range between -20°C and +40°C

### Applications

Cove Lighting, Utility Rooms, Corridors, Work Shops, Garage, Stock Rooms etc.

### Dimensional drawing



	L	W	H
<b>2F1L</b>	24"	1.77"	2.36"
<b>2F2L</b>	24"	3.54"	2.36"
<b>4F1L</b>	48"	1.77"	2.36"
<b>4F2L</b>	48"	3.54"	2.36"



# LED Connect Strip

## DL-CS

### Ordering Information Example: DL-CS/2F1L/10W/40/D

Family Name	Fixture Type	Size	Wattage	CCT	Input Voltage	Dimmable	Options
DL (Deltalum)	CS (Connect Strip)	2F1L (2'; 1 lamp)	10W	30 (3000K) 40 (4000K) 50 (5000K)	120-347V	D (0-10V dimmable)	Connecting Cable order separately
		4F1L (4'; 1 lamp)	20W				
		2F2L (2'; 2 lamp)	40W				
		4F2L (4'; 2 lamp)	40W				

### Product Specification

Ordering Code	DLC	Model Number	Wattage (W)	Input Voltage (V)	Lamp QTY.	Hour Rating	Beam Angle	Initial Delivered Lumens (lumen)	CCT (K)	CRI	Damp Location	M.O.L (inch)	Case QTY.
3662218	Yes	DL-CS/2F1L/10W/30/120-347V/D	10	120-347V	1	50,000	120°	1,050	3000K	>80	Yes	24	6
3662219	Yes	DL-CS/2F1L/10W/40/120-347V/D	10	120-347V	1	50,000	120°	1,050	4000K	>80	Yes	24	6
3662220	Yes	DL-CS/2F1L/10W/50/120-347V/D	10	120-347V	1	50,000	120°	1,050	5000K	>80	Yes	24	6
3663202	Yes	DL-CS/4F1L/20W/30/120-347V/D	20	120-347V	1	50,000	120°	2,100	3000K	>80	Yes	48	6
3663203	Yes	DL-CS/4F1L/20W/40/120-347V/D	20	120-347V	1	50,000	120°	2,100	4000K	>80	Yes	48	6
3663204	Yes	DL-CS/4F1L/20W/50/120-347V/D	20	120-347V	1	50,000	120°	2,100	5000K	>80	Yes	48	6
3663205	Yes	DL-CS/2F2L/20W/30/120-347V/D	20	120-347V	2	50,000	120°	2,100	3000K	>80	Yes	24	6
3663206	Yes	DL-CS/2F2L/20W/40/120-347V/D	20	120-347V	2	50,000	120°	2,100	4000K	>80	Yes	24	6
3663207	Yes	DL-CS/2F2L/20W/50/120-347V/D	20	120-347V	2	50,000	120°	2,100	5000K	>80	Yes	24	6
3665222	Yes	DL-CS/4F2L/40W/30/120-347V/D	40	120-347V	2	50,000	120°	4,200	3000K	>80	Yes	48	6
3665223	Yes	DL-CS/4F2L/40W/40/120-347V/D	40	120-347V	2	50,000	120°	4,200	4000K	>80	Yes	48	6
3665224	Yes	DL-CS/4F2L/40W/50/120-347V/D	40	120-347V	2	50,000	120°	4,200	5000K	>80	Yes	48	6
3660011		DL-CS/1F/CC/WH	1' CONNECTING 5 WIRE CABLE, WHITE										
3660012		DL-CS/2F/CC/WH	2' CONNECTING 5 WIRE CABLE, WHITE										
3660013		DL-CS/4F/CC/WH	4' CONNECTING 5 WIRE CABLE, WHITE										

### Connector Images



**Caution:**

Electrical shock hazard possible when using interconnecting systems (cables or supplied 5 pin connector). As with all electrical devices, power must be off (electrical breaker) before removing and installing 5 pin port cover and connecting next linkable "Connect Strip" or "Connecting Cable". Refer to installation manual when installing.



# LED FIXTURE

## DL Series

# LED Connect Strip

## DL-CS/MS

Linear 4' LED strip light, built-in Microwave Sensor



### Features & Benefits

- CUL listed
- Familiar surface strip design in 4' length, low profile
- Integral-LED luminaire (no lamps required), LED Driver PF>0.9
- Strips are linkable either with connector supplied or by optional connecting cables
- 15 pcs maximum @ 40W per fixture
- L70 @ 50,000 HRS
- White metal housing construction, PC Opal Lens
- Microwave sensor for on-off applications
- Damp location rated

### Dimensional Drawing



	L	W	H
4F2L	48"	3.54"	2.36"

### Warranty

- 5-year limited warranty in commercial use from the date of purchase
- Operating temperature range between -20°C and +40°C

### Applications

Utility Rooms, Corridors, Work Shops, Garage, Stock Rooms etc.

### Ordering Information Example: DL-CS/4F2L/40W/40/MS

Family Name	Fixture Type	Size	Wattage	CCT	Microwave Sensor	Options
DL (Deltalum)	CS (Connect Strip)	4F2L (4; 2 lamp)	40W	40 (4000K)	MS (Microwave Sensor on-off)	Connecting Cable order separately

### Product Specification

Model Number	Wattage (W)	Input Voltage (V)	Hour Rating	Beam Angle	Initial Delivered Lumens (lumen)	CCT (K)	CRI	Damp Location	M.O.L (inch)	Case QTY.
DL-CS/4F2L/40W/40/MS	40	120-277V	50,000	120°	4,200	4000K	>80	Yes	48	6
DL-CS/1F/CC3/WH	1' CONNECTING CABLE, WHITE									
DL-CS/2F/CC3/WH	2' CONNECTING CABLE, WHITE									
DL-CS/4F/CC3/WH	4' CONNECTING CABLE, WHITE									

#### Connector Images



#### Caution:

Electrical shock hazard possible when using interconnecting systems (cables or supplied 5 pin connector). As with all electrical devices, power must be off (electrical breaker) before removing and installing 5 pin port cover and connecting next linkable "Connect Strip" or "Connecting Cable". Refer to installation manual when installing.

#### Microwave Sensor Image

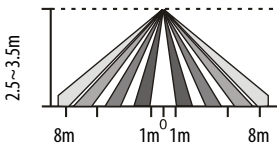




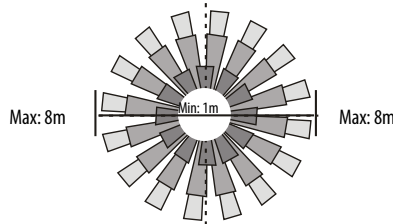
# LED Connect Strip

## DL-CS/MS

### Sensor Information



Height of installation 2.5~3.5m

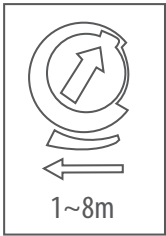


Detection range Min: 1m, Max: 8m  
Detection angle 360°

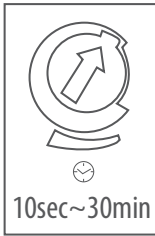
#### UTILIZING FIELD AND INTRODUCTION

The sensor is a moving object sensor that can detect range of 360° and it's working frequency is 5.8GHz. The advantage of this product is stable working state (stable working temperature: -15°C~+70°C), The sensor adopts a microwave sensor (high-frequency output < 0.2mW), so that it is safe and performs better than infrared sensor.

If you want the sensor to detect small zone, you can just adjust the sense knob SENS to the range that you need (You may need to adjust sometimes until you think it is suitable). If you want that the light can be turned on when the circumstance luminance is under some value, you can just adjust the knob LUX (The working luminance knob) to select the luminance value ( You may need to adjust some times until you think it is suitable).



Detection Range



Time



Light Control

#### Detection range setting (sensitivity)

Detection range is the term used to describe the radii of the more or less circular detection zone produced on the ground after mounting the sensor light at a height of 2.5m, turn the detection control fully anticlockwise to select minimum detection range (approx. 1m radii), and fully clockwise to select maximum detection range (approx. 8m radii).

**Note:** the above detection range is gained if the detected person is between 1.6m-1.7m tall with middle figure and moves at a speed of 1.0-1.5m/sec. If person's stature, figure and moving speed change, the detection distance will also change.

In different cases, the sensitivity of the lights has certain deviation.

**ATTENTION:** When use this product, please adjust the sensitivity to an appropriate position you need, please do not adjust the sensitivity to maximum, in case the product works abnormally because of wrong motion detection, including blowing leaves & curtains, small animals, or even power grid & electrical equipment. All the above factors can lead to abnormal work. When the product does not work normally, please try to lower the sensitivity appropriately, and then test it.

#### Time setting

The light can be set to stay ON for any period of time between approx. 10sec (dial turned fully anti-clockwise) and a maximum of 30min (dial turned fully clockwise). Any movement detected during the "on" time will reset the timer. The LED indicator will flash when adjusting the time setting dial. The number of flashes means the following:

1 flash = 10sec, 2 flashes = 1 min, 3 flashes = 2 min, 4 flashes = 5 min, 5 flashes = 8 min, 6 flashes = 10 min, 7 flashes = 15 min, 8 flashes = 20 min, 9 flashes = 25 min, 10 flashes = 30 min.

**Note:** after the light switches OFF, it takes approx. 4sec before it is able to start detecting movement again. The light will only switch on in response to movement once this period has elapsed.

#### Light-control setting

The chosen light response threshold can be infinitely from approx. 10-2000lux. Turn it fully anti-clockwise to select dusk to-dawn operation at about 10lux. Turn it fully clockwise to select daylight operation at about 2000lux. The knob must be turned fully clockwise when adjusting the detection zone and performing the walk test in daylight.

**Note:** please don't adjust the three functional buttons to excess. That is because the three functional buttons were connected to the components directly, there is a small stopper in each of the three components, when you adjust the buttons from start to end, the excessive turn will damage the stopper, and lead to the 360° non-stop turn around. The adjust range limit is 270°, please do pay attention to this.

# LED FIXTURE

## DL Series



# LED Wrap Around DL-WA1, DL-WA2, DL-WA3

DL-WA1 (LED 4' Wrap Light)  
DL-WA2 (LED 2' / 4' Hinged Wrap Light)  
DL-WA3 (LED 4' Eco-Wrap Light), Newly added 120-347V Auto-sensing Driver

### Features & Benefits

CUL listed, DLC*	L70 @*
0-10V dimmable*	PMMA Lens
High CRI (80+)	Damp location rated
Wall or ceiling mounted	Shallow profile, excellent for low ceilings

### Warranty

5-year limited warranty in commercial use from the date of purchase

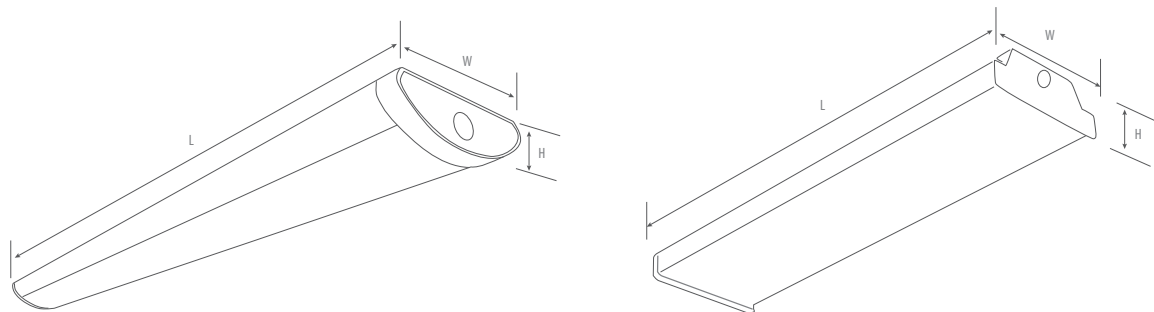
Operating temperature range between -20°C and +40°C

\* For applicable models, see product specification below

### Applications

Corridors, Carports, storage rooms, retail, commercial, etc.

### Dimensional drawing



	L	W	H
DL-WA1/4F	48.5"	5.56"	2"
DL-WA2/2F	24.5"	7.09"	2.8"
DL-WA2/4F	48"	7.09"	2.8"
DL-WA3/4F	48.6"	6.5"	2.5"



# LED Wrap Around

## DL-WA1, DL-WA2, DL-WA3

### Ordering Information Example: DL-WA2/2F/25W/40/UNV/D

Family Name	Fixture Type	Size	Wattage	CCT	Input Voltage	Dimmable	Options
DL (Deltalum)	WA1 (Wrap Around 1)	4F (4')	40W	30 (3000K) 40 (4000K) 50 (5000K)	Blank (120-277V)	Blank (non-dimmable)	
	WA2 (Wrap Around 2)	2F (2')	25W	40 (4000K)	UNV (120-277V)	D (Dimmable)	
		4F (4')	40W				
WA3 (Wrap Around 3)	4F (4')	42W	35 (3500K) 40 (4000K) 50 (5000K)	UNV (120-277V) 120-347V	Blank (non-dimmable) D (Dimmable)		

### Product Specification

Ordering Code	DLC	Model Number	Wattage (W)	Input Voltage (V)	Hour Rating	Beam Angle	Initial Delivered Lumens (lumen)	CCT (K)	CRI	Damp Location	M.O.L (inch)	Case QTY.
3665129	-	DL-WA1/4F/40W/30	40	120-277V	50,000	120°	4,200	3000K	>80	Yes	48	4
3665124	Y	DL-WA1/4F/40W/40	40	120-277V	50,000	120°	4,200	4000K	>80	Yes	48	4
3665125	Y	DL-WA1/4F/40W/50	40	120-277V	50,000	120°	4,200	5000K	>80	Yes	48	4
3664124	Y	DL-WA2/2F/25W/40/UNV/D	25	120-277V	100,000	120°	3250	4000K	>80	Yes	24.5	4
3665135	Y	DL-WA2/4F/40W/40/UNV/D	40	120-277V	100,000	120°	5200	4000K	>80	Yes	48	4
3665309	Y	DL-WA3/4F/42W/35/120-347V/D	42	120-347V	100,000	120°	5460	3500K	>80	Yes	48	4
3665310	Y	DL-WA3/4F/42W/40/120-347V/D	42	120-347V	100,000	120°	5460	4000K	>80	Yes	48	4
3665136	Y	DL-WA3/4F/42W/35/UNV	42	120-277V	100,000	120°	5460	3500K	>80	Yes	48	4
3665137	Y	DL-WA3/4F/42W/40/UNV	42	120-277V	100,000	120°	5460	4000K	>80	Yes	48	4
3665138	Y	DL-WA3/4F/42W/50/UNV	42	120-277V	100,000	120°	5460	5000K	>80	Yes	48	4
3660052		DL-WA2/2F/LENS	DeltaLum Hinged-Wrap Light 2ft. Replacement PMMA Lens									
3660053		DL-WA2/4F/LENS	DeltaLum Hinged-Wrap Light 4ft. Replacement PMMA Lens									
3660054		DL-WA3/4F/LENS	DeltaLum Eco-Wrap Light 4ft. Replacement PMMA Lens									

# LED FIXTURE

## DL Series

# LED Linear Strip DL-LS

Dimming, motion and timing controls, 24" and 48" LED linear strip



### Features & Benefits

cETL listed, DLC

24", 48" length

No external dimming switch required

Built-in Microwave Motion Sensor, easy DIP switch configuration

Driver by Philips

L70 @ 50,000 Hrs

120-277V/ 347V available

High CRI (80+)

Wall mounting optional

### Warranty

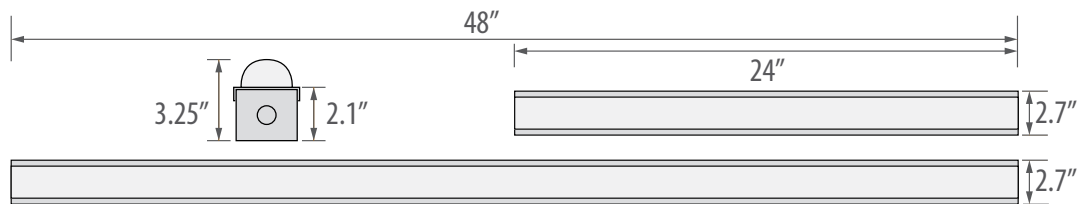
5-year limited warranty for fixture and sensor in commercial use from the date of purchase

Operating temperature range between -25°C and +40°C

### Applications

Retails, Warehouses, Schools, Underground Parking, Factories, Workshops, Hospitals, Office Buildings and etc

### Dimensional drawing



### Ordering Information Example: DL-LS/2F/20W/40/UNV/D/S

Family Name	Fixture Type	Length	Wattage	CCT	Voltage (V)	Dimmable	Options
DL (Deltalum)	LS (Linear Strip)	2F (2 feet, 24") 4F (4 feet, 48")	60W 40W 20W	50 (5000K) 40 (4000K)	UNV (120-277V) 347 (347V)	D (Dimmable)	S (Microwave Motion Sensor)



# LED Linear Strip

## DL-LS

### Product Specification

Ordering Code	DLC	Model Number	Description	Wattage (W)	Input Voltage (V)	Hour Rating	Initial Delivered Lumens (lumen)	CCT (K)	CRI	M.O.L. (inch)	Case QTY.
3663111	Y	DL-LS/2F/20W/40/UNV/D/S	2ft 20W 40K 120-277V Dimmable, with Sensor	20	120-277	50,000	2300	4000	>80	24	10
3663112	Y	DL-LS/2F/20W/50/UNV/D/S	2ft 20W 50K 120-277V Dimmable, with Sensor	20	120-277	50,000	2300	5000	>80	24	10
3665111	Y	DL-LS/4F/40W/40/UNV/D/S	4ft 40W 40K 120-277V Dimmable, with Sensor	40	120-277	50,000	4700	4000	>80	48	10
3665112	Y	DL-LS/4F/40W/50/UNV/D/S	4ft 40W 50K 120-277V Dimmable, with Sensor	40	120-277	50,000	4700	5000	>80	48	10
3666110	Y	DL-LS/4F/60W/40/UNV/D/S	4ft 60W 40K 120-277V Dimmable, with Sensor	60	120-277	50,000	7000	4000	>80	48	10
3666111	Y	DL-LS/4F/60W/50/UNV/D/S	4ft 60W 50K 120-277V Dimmable, with Sensor	60	120-277	50,000	7000	5000	>80	48	10
3665204	Y	DL-LS/4F/40W/40/347/D/S	4ft 40W 40K 347V Dimmable, with Sensor	40	347	50,000	4700	4000	>80	48	10
3665205	Y	DL-LS/4F/40W/50/347/D/S	4ft 40W 50K 347V Dimmable, with Sensor	40	347	50,000	4700	5000	>80	48	10
3666207	Y	DL-LS/4F/60W/40/347/D/S	4ft 60W 40K 347V Dimmable, with Sensor	60	347	50,000	7000	4000	>80	48	10
3666208	Y	DL-LS/4F/60W/50/347/D/S	4ft 60W 50K 347V Dimmable, with Sensor	60	347	50,000	7000	5000	>80	48	10
3666010		DL-LS/Accessory/SUS	Accessory Suspension Set - Hook&Chain								

#### Sensor Setting For 120-277V Strip

	Detection Area			Hold Time			Stand-by Period			Daylight Sensor			Stand-by DIM Level			
	1	2		3	4	5	6	7	8				5	6		
ON	●	●	100%	●	●	●	5S	●	●	●	0S	○	○	●	●	50%
●	●	○	75%	○	●	●	30S	○	●	●	5S	○	○	●	●	30%
○	○	●	50%	●	○	●	90S	●	○	●	10min	○	○	○	○	20%
○	○	○	10%	○	○	●	3min	○	○	●	30min	○	○	○	○	10%
○				●	●	○	20min	●	●	○	20min					
○				○	○	○	No Hold	○	●	○	1h					
OFF								○	○	○	Disable					

**Default Factory Presetting**  
 Detection Area: 100%, Hold Time: 3min, Stand-by Period: Disable, Daylight Sensor: Disable, Stand-by DIM Level: 20%

#### Sensor Setting For 347V Strip

	Detection Area			Hold Time			Daylight Sensor			Stand-by Period			Stand-by DIM Level				
	1	2		1	2	3	1	2		1	2	3		1	2		
ON	●	●	100%	●	●	●	5S	●	●	Disable	●	●	●	0S	●	●	10%
●	●	○	75%	●	●	○	30S	●	○	50Lux	●	●	○	10S	●	○	20%
○	○	●	50%	●	○	●	1 min	○	●	10Lux	●	○	●	1 min	○	●	30%
○	○	○	10%	●	○	○	5min	○	○	2Lux	●	○	○	5min	○	○	50%
○				○	●	●	10min				○	●	●	10min			
○				○	●	○	20min				○	●	○	30min			
○				○	○	○	30min				○	○	●	1 h			
OFF											○	○	○	Disable			

**Default Factory Presetting**  
 Detection Area: 100%, Hold Time: 5min, Stand-by Period: Disable, Daylight Sensor: Disable, Stand-by DIM Level: 20%

**Detection Area:** Detection area can be reduced by selecting the combination on the DIP switches to fit precisely each application.  
**Hold Time:** Refers to the time period the lamp remains at 100% illumination after no motion detected.  
**Stand-by DIM Level:** The low light level you would like to have after the hold time in the long absence of people.  
**Stand-by Period:** Refers to the time period the lamp remains at a low light level before it completely switches off in the long absence of people. When set to Disable mode, the low light is maintained until motion is detected.

**Daylight Sensor:** The sensor can be set to only allow the lamp to illuminate below a defined ambient brightness threshold. When set to Disable mode, the daylight sensor will switch on the lamp when motion is detected regardless of ambient light level. 50lux, 30lux: twilight operation, 10lux, 5lux: darkness operation only.  
 Note that daylight sensor is active only when lamp totally switches off.  
 By selecting the combination on the DIP switch, sensor data can be precisely set for each specific application.





# LED FIXTURE

## SSL Series



### LED High Bay-Xclusive High Ceiling SSL-XHC

Compact design combined with a low profile makes this the performer you need for your next high ceiling application.



#### Features & Benefits

cUL listed, DLC Premium

System light efficacy 130 LPW

Strong Cast Aluminium body

Tilted heat sink back design for easy wash-off

Superior thermal conductivity

White finish

10 ft power cord

NEMA 4X certified

CRI≥80, L70@ 50,000 Hrs

Voltage 120-277V and 347V

90° Beam spread, PC Lens

1-10V dimming

IP65 rated, wet location

#### Warranty

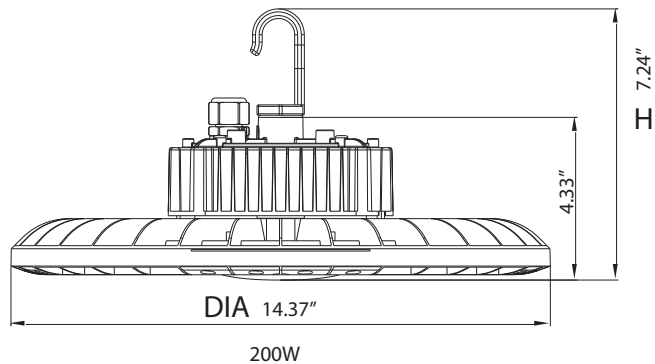
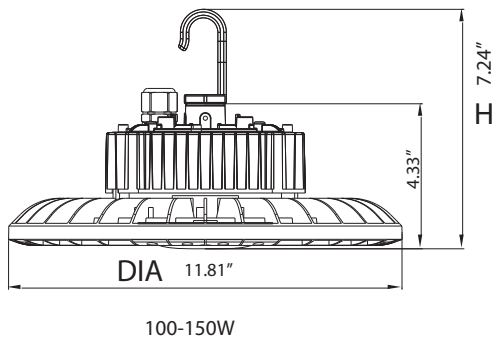
5-year limited warranty in commercial use from the date of purchase

Operating temperature range between -20°C and +50°C

#### Applications

Warehouse/Manufacturing Facilities, Convention Centers/Sporting Arenas  
Big-Box Retail Stores, Cold Storage Facilities, Gymnasiums

#### Dimensional drawing





# LED High Bay-Xclusive High Ceiling

## SSL-XHC

### Ordering Information Example: SSL-XHC/100W/40/UNV/HK/D

Family Name	Fixture Type	Wattage	CCT	Voltage (V)	Mounting	Dimmable	Options
SSL (Solid State Lighting)	XHC (Xclusive High Ceiling)	100W 150W 200W	40 (4000K) 50 (5000K)	UNV (120-277V) 347V	HK (Hook Mounting)	D (1-10V dimming)	SSL-XHC/16/AL/HOOD/90D SSL-XHC/16/PC/HOOD/90D SSL-XHC/COLLAR

### Product Specification

Ordering Code	DLC (Premium)	Model Number	Wattage (W)	Input Voltage (V)	Hour Rating	Initial Delivered Lumens (lumen)	CCT (K)	CRI	Optics/ Distribution	Dimension DIA×H(inch)	Case QTY.
3367130	Y	SSL-XHC/100W/40/UNV/HK/D	100	120-277	50,000	13000	4000	≥80	Type V	11.81×7.24	1
3667131	Y	SSL-XHC/100W/50/UNV/HK/D	100	120-277	50,000	13000	5000	≥80	Type V	11.81×7.24	1
3667232	Y	SSL-XHC/100W/40/347V/HK/D	100	347	50,000	13000	4000	≥80	Type V	11.81×7.24	1
3667233	Y	SSL-XHC/100W/50/347V/HK/D	100	347	50,000	13000	5000	≥80	Type V	11.81×7.24	1
3667132	Y	SSL-XHC/150W/40/UNV/HK/D	150	120-277	50,000	19500	4000	≥80	Type V	11.81×7.24	1
3667133	Y	SSL-XHC/150W/50/UNV/HK/D	150	120-277	50,000	19500	5000	≥80	Type V	11.81×7.24	1
3667234	Y	SSL-XHC/150W/40/347V/HK/D	150	347	50,000	19500	4000	≥80	Type V	11.81×7.24	1
3667235	Y	SSL-XHC/150W/50/347V/HK/D	150	347	50,000	19500	5000	≥80	Type V	11.81×7.24	1
3667134	Y	SSL-XHC/200W/40/UNV/HK/D	200	120-277	50,000	26000	4000	≥80	Type V	14.37×7.24	1
3667135	Y	SSL-XHC/200W/50/UNV/HK/D	200	120-277	50,000	26000	5000	≥80	Type V	14.37×7.24	1
3667236	Y	SSL-XHC/200W/40/347V/HK/D	200	347	50,000	26000	4000	≥80	Type V	14.37×7.24	1
3667237	Y	SSL-XHC/200W/50/347V/HK/D	200	347	50,000	26000	5000	≥80	Type V	14.37×7.24	1
3660139		SSL-XHC/16/AL/HOOD/90D	90 Degree 16" Aluminium Hood								
3660140		SSL-XHC/16/PC/HOOD/90D	90 Degree 16" Polycarbonate Hood								
3660141		SSL-XHC/COLLAR	Adapter Ring, Required for 100W & 150W High Bay Hood Install								

Consult factory for additional options, Sensor, EM pack, Blue Tooth.



90 Degree 16" Aluminium Hood  
SSL-XHC/16/AL/HOOD/90D



90 Degree 16" Polycarbonate Hood  
SSL-XHC/16/PC/HOOD/90D



# LED FIXTURE

## SSL Series

# LED High Bay SSL-UHB

LED High Bay Lighting Fixture with Magnesium Alloy heatsink



### Features & Benefits

- \_\_\_\_\_ cETC listed, DLC Premium
- \_\_\_\_\_ System light efficacy 130 LPW
- \_\_\_\_\_ Magnesium Alloy material, lighter in weight
- \_\_\_\_\_ Tilted heat sink back design for easy wash-off
- \_\_\_\_\_ Superior electrical and thermal conductivity
- \_\_\_\_\_ Durable TGIC painting **White** finish, better for tough weather conditions
- \_\_\_\_\_ 10 ft power cord

- \_\_\_\_\_ LG LED Chip
- \_\_\_\_\_ CRI≥80, L70@ 100,000 Hrs
- \_\_\_\_\_ Voltage 120-277V and 347/480V
- \_\_\_\_\_ 120° Beam spread
- \_\_\_\_\_ 1-10V dimming
- \_\_\_\_\_ IP65 rated, wet location

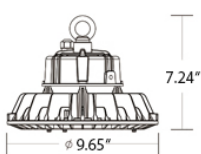
### Warranty

- \_\_\_\_\_ 5-year limited warranty in commercial use from the date of purchase
- \_\_\_\_\_ Operating temperature range between -40°C and +50°C

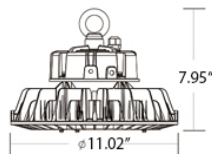
### Applications

Warehouse/Manufacturing Facilities, Convention Centers/Sporting Arenas  
Big-Box Retail Stores, Cold Storage Facilities, Gymnasiums

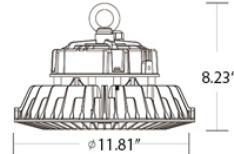
### Dimensional drawing



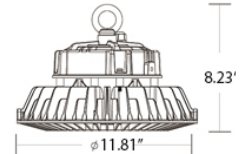
100W



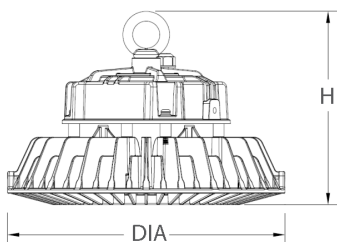
150W



200W



240W



	DIA	H
<b>100W</b>	9.65"	7.24"
<b>150W</b>	11.02"	7.95"
<b>200W</b>	11.81"	8.23"
<b>240W</b>	11.81"	8.23"



# LED High Bay

## SSL-UHB

### Ordering Information Example: SSL-UHB/100W/50/UNV/HK/D

Family Name	Fixture Type	Wattage	CCT	Voltage (V)	Mounting	Dimmable	Options
SSL (Solid State Lighting)	UHB (Universal High Bay)	100W 150W 200W 240W	50 (5000K)	UNV (120-277V) HVV (347/480V)	HK (Hook Mounting)	D (1-10V dimming)	SSL-UHB/14/AL/HOOD/90D SSL-UHB/16/PC/HOOD/70D SSL-UHB/PC/DIFFUSER/17UP SSL-UHB/JBOX SSL-UHB/SENSOR SSL-UHB/IP65JBOX



HK (Hook Mounting)

### Product Specification

Ordering Code	DLC (Premium)	Model Number	Wattage (W)	Input Voltage (V)	Hour Rating	Initial Delivered Lumens (lumen)	CCT (K)	CRI	Dimension DIA×H(inch)	Case QTY.
3666123	Y	SSL-UHB/100W/50/UNV/HK/D	100	120-277V	100,000	13,000	5000	≥80	9.65×7.24	1
3666228	Y	SSL-UHB/100W/50/HVV/HK/D	100	347/480V	100,000	13,000	5000	≥80	9.65×7.24	1
3667115	Y	SSL-UHB/150W/50/UNV/HK/D	150	120-277V	100,000	19,500	5000	≥80	11.02×7.95	1
3667217	Y	SSL-UHB/150W/50/HVV/HK/D	150	347/480V	100,000	19,500	5000	≥80	11.02×7.95	1
3667116	Y	SSL-UHB/200W/50/UNV/HK/D	200	120-277V	100,000	26,000	5000	≥80	11.81×8.23	1
3667218	Y	SSL-UHB/200W/50/HVV/HK/D	200	347/480V	100,000	26,000	5000	≥80	11.81×8.23	1
3667129	Y	SSL-UHB/240W/50/UNV/HK/D	240	120-277V	100,000	34,800	5000	≥80	11.81×8.23	1
3667231	Y	SSL-UHB/240W/50/HVV/HK/D	240	347/480V	100,000	34,800	5000	≥80	11.81×8.23	1
3660041		SSL-UHB/14/AL/HOOD/90D	90 Degree 14" Aluminium Hood							
3660042		SSL-UHB/16/PC/HOOD/70D	70 Degree 16" Polycarbonate Hood							
3660043		SSL-UHB/PC/DIFFUSER/17UP	180 Degree Polycarbonate Diffuser w/ 17% up light.							
3660044		SSL-UHB/JBOX	Junction Box for Conduit Mtg, Through Wiring, White Finish							
3660045		SSL-UHB/SENSOR	Sensor, 120-277V, Daylight & Motion sensing.							
3660046		SSL-UHB/IP65JBOX	IP65 Junction Box (use with Sensor) applications.							



90° Aluminium Reflector  
SSL-UHB/14/AL/HOOD/90D



70° PC Reflector  
SSL-UHB/16/PC/HOOD/70D



180° PC Lens  
SSL-UHB/PC/DIFFUSER/17UP



Junction Box  
SSL-UHB/JBOX



Sensor  
SSL-UHB/SENSOR



Junction Box (use with sensor)  
SSL-UHB/IP65JBOX



# LED FIXTURE

## SSL Series



# LED Linear High Bay SSL-LHB3

Offering quality lighting and excellent energy savings compared to linear fluorescent and HID high bay fixtures.



### Features & Benefits

cUL listed, DLC Premium

Available with lumen outputs from 11,475 to 34,425 lumens

System light efficacy  $\geq$  130 lm/W

120-347V Auto-sensing driver

1-10V dimming

Damp location rated, L70@ 100,000Hrs

CRI >80

Formed steel housing with white powder coat finish/ Frosted lens

120° Beam spread

10' White Cord, 10' Aircraft Cable (set)

### Warranty

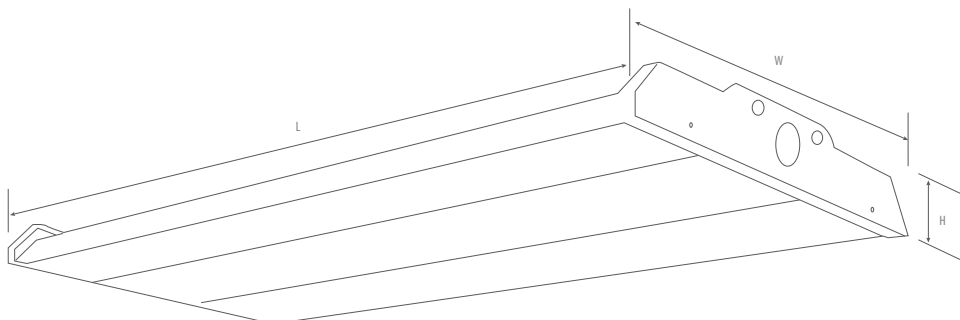
5-year limited warranty in commercial use from the date of purchase

Operating temperature range between -20°C and +50°C

### Applications

Warehouse, Factory, Convention Center, Gymnasium etc.

### Dimensional drawing



	L	W	H
<b>85W,130W,170W</b>	24.8"	15"	2"
<b>255W</b>	24.8"	18.90"	2"



# LED Linear High Bay

## SSL-LHB3

### Ordering Information Example: SSL-LHB3/85W/40/120-347V/AC/D

Family Name	Fixture Type	Wattage	CCT	Voltage (V)	Mounting	Dimmable
SSL (Solid State Lighting)	LHB3 (Linear High Bay)	85W 130W 170W 255W	40 (4000K) 50 (5000K)	120-347V	AC (Aircraft Cable 10' set)	D (Dimmable)

### Product Specification

Ordering Code	DLC (Premium)	Model Number	Wattage (W)	Input Voltage (V)	Hour Rating	Initial Delivered Lumens (lumen)	CCT (K)	CRI	Dimension L×W×H(inch)	Case QTY.	
3666307	Y	SSL-LHB3/85W/40/120-347V/AC/D	85	120-347V	100,000	11475	4000	>80	24.8" x 15" x 2"	1	
3666308	Y	SSL-LHB3/85W/50/120-347V/AC/D	85	120-347V	100,000	11475	5000	>80	24.8" x 15" x 2"	1	
3667300	Y	SSL-LHB3/130W/40/120-347V/AC/D	130	120-347V	100,000	17550	4000	>80	24.8" x 15" x 2"	1	
3667301	Y	SSL-LHB3/130W/50/120-347V/AC/D	130	120-347V	100,000	17550	5000	>80	24.8" x 15" x 2"	1	
3667302	Y	SSL-LHB3/170W/40/120-347V/AC/D	170	120-347V	100,000	22950	4000	>80	24.8" x 15" x 2"	1	
3667303	Y	SSL-LHB3/170W/50/120-347V/AC/D	170	120-347V	100,000	22950	5000	>80	24.8" x 15" x 2"	1	
3668301	Y	SSL-LHB3/255W/40/120-347V/AC/D	255	120-347V	100,000	34425	4000	>80	24.8" x 18.9" x 2"	1	
3668302	Y	SSL-LHB3/255W/50/120-347V/AC/D	255	120-347V	100,000	34425	5000	>80	24.8" x 18.9" x 2"	1	
3660090		SSL-LHB2/MWG	Medium wire guard (for 90W, 135W, 175W LHB2 & 85W, 130W, 170W LHB3)							25" x 15"	1
3660091		SSL-LHB2/LWG	Large wire guard (for 265W LHB2 & 255W LHB3)							25" x 19"	1





# LED FIXTURE

## SSL Series



# LED Linear High Bay SSL-LHB2

Offering quality lighting and excellent energy savings compared to linear fluorescent and HID high bay fixtures.



### Features & Benefits

CUL listed, DLC Premium

Available with lumen outputs from 11,700 to 34,715 lumens

System light efficacy  $\geq 130$  lm/W

Voltage 120-277V/ 347V

1-10V dimmable

Damp location rated, L70@ 100,000Hrs

CRI >80

Formed steel housing with white powder coat finish/ Frosted lens

120° Beam spread

10' White Cord, 10' Aircraft Cable (set)

### Warranty

5-year limited warranty in commercial use from the date of purchase

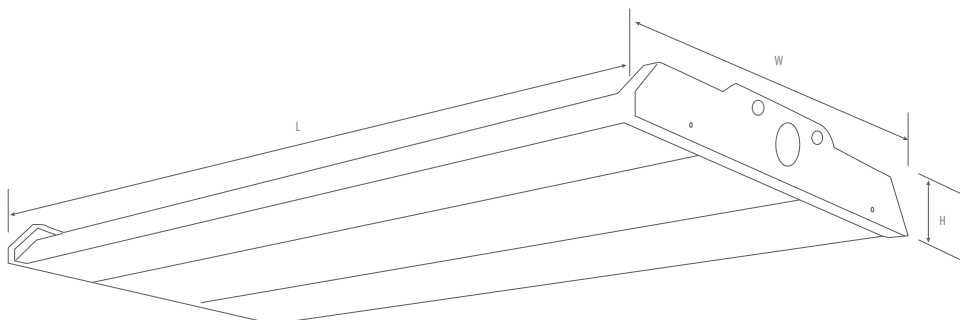
Operating temperature range between -20°C and +50°C

\* DLC under qualifying process Q2, 2018

### Applications

Warehouse, Factory, Convention Center, Gymnasium etc.

### Dimensional drawing



	L	W	H
90W,135W,175W	24.8"	15"	2"
265W	24.8"	18.90"	2"



# LED Linear High Bay

## SSL-LHB2

### Ordering Information Example: SSL-LHB2/90W/40/UNV/AC/D

Family Name	Fixture Type	Wattage	CCT	Voltage (V)	Mounting	Dimmable
SSL (Solid State Lighting)	LHB2 (Linear High Bay)	90W 135W 175W 265W	40 (4000K) 50 (5000K)	UNV (120-277V) 347(347V)	AC (Aircraft Cable 10' set)	D (Dimmable)

### Product Specification

Ordering Code	DLC (Premium)	Model Number	Wattage (W)	Input Voltage (V)	Hour Rating	Initial Delivered Lumens (lumen)	CCT (K)	CRI	Dimension L×W×H(inch)	Case QTY.
3666128	Y	SSL-LHB2/90W/40/UNV/AC/D	90	120-277V	100,000	11,700	4000	>80	24.8" × 15" × 2"	1
3666129	Y	SSL-LHB2/90W/50/UNV/AC/D	90	120-277V	100,000	11,790	5000	>80	24.8" × 15" × 2"	1
3666233	Y	SSL-LHB2/90W/40/347/AC/D	90	347V	100,000	11,700	4000	>80	24.8" × 15" × 2"	1
3666234	Y	SSL-LHB2/90W/50/347/AC/D	90	347V	100,000	11,790	5000	>80	24.8" × 15" × 2"	1
3667117	Y	SSL-LHB2/135W/40/UNV/AC/D	135	120-277V	100,000	17,550	4000	>80	24.8" × 15" × 2"	1
3667118	Y	SSL-LHB2/135W/50/UNV/AC/D	135	120-277V	100,000	17,685	5000	>80	24.8" × 15" × 2"	1
3667219	Y	SSL-LHB2/135W/40/347/AC/D	135	347V	100,000	17,550	4000	>80	24.8" × 15" × 2"	1
3667220	Y	SSL-LHB2/135W/50/347/AC/D	135	347V	100,000	17,685	5000	>80	24.8" × 15" × 2"	1
3667119	Y	SSL-LHB2/175W/40/UNV/AC/D	175	120-277V	100,000	23,140	4000	>80	24.8" × 15" × 2"	1
3667120	Y	SSL-LHB2/175W/50/UNV/AC/D	175	120-277V	100,000	23,318	5000	>80	24.8" × 15" × 2"	1
3667221	Y	SSL-LHB2/175W/40/347/AC/D	175	347V	100,000	23,140	4000	>80	24.8" × 15" × 2"	1
3667222	Y	SSL-LHB2/175W/50/347/AC/D	175	347V	100,000	23,318	5000	>80	24.8" × 15" × 2"	1
3668104	Y	SSL-LHB2/265W/40/UNV/AC/D	265	120-277V	100,000	34,450	4000	>80	24.8" × 18.9" × 2"	1
3668105	Y	SSL-LHB2/265W/50/UNV/AC/D	265	120-277V	100,000	34,715	5000	>80	24.8" × 18.9" × 2"	1
3668204	Y	SSL-LHB2/265W/40/347/AC/D	265	347V	100,000	34,450	4000	>80	24.8" × 18.9" × 2"	1
3668205	Y	SSL-LHB2/265W/50/347/AC/D	265	347V	100,000	34,715	5000	>80	24.8" × 18.9" × 2"	1
3660090		SSL-LHB2/MWG	Medium wire guard (for 90W, 135W, 175W LHB2)							
3660091		SSL-LHB2/LWG	Large wire guard (for 265W LHB2)							

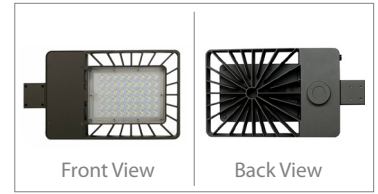


# LED FIXTURE

## SSL Series

# LED Area Light SSL-AL

Outstanding photometric performance, excellent uniform illumination, low profile construction, high efficacy and long lifespan, it's ideal for commercial lighting application.



### Features & Benefits

- cELT listed, DLC Premium, LM79 and LM80 certified
- Die-cast aluminum with durable dark bronze finish
- UL Class II LED driver, 0-10V dimming  
PF>0.98, efficacy 125~130 LPW
- IES Type V and Type III for optimized light distribution  
(Type III lens and Type V lens)
- Optional installation of Slipfitter, Yoke and Pole Mount, mounting ordered separately

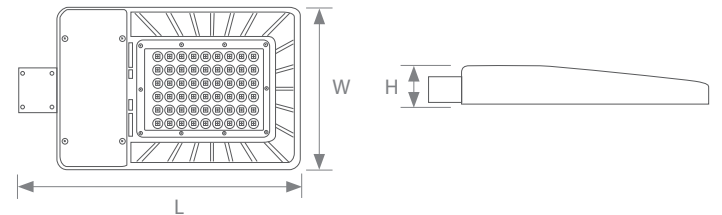
- Motion sensor, microwave 120-277V and photocell, factory ordered
- 5000K and 4000K available
- CRI>70, L70 @ 50,000 Hrs
- Voltage 120-277V/200-480V
- IP65 rated, wet location

### Warranty

- 5-year limited warranty in commercial use from the date of purchase
- Operating temperature range between -40°C and +50°C

### Applications

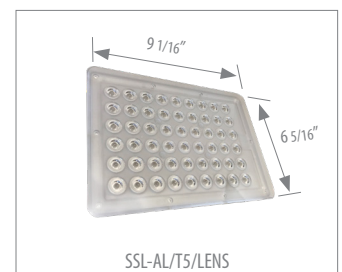
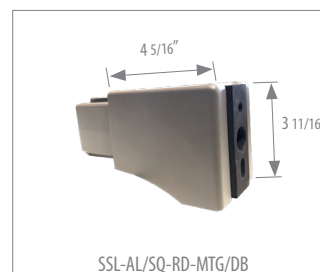
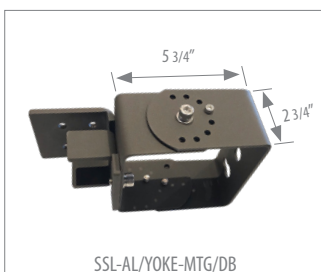
Parks, Shopping Malls, Outlets, Plazas, City Halls, Historical Sites, Road Lighting



### Ordering Information Example: SSL-AL/T3/150W/50/HVU/DB/D

Family Name	Fixture Type	Light Distribution Type	Wattage	CCT	Voltage (V)	Body Finish	Dimmable	Options
SSL (Solid State Lighting)	AL (Area Lighter)	T3 (Type III)*	70W 100W 150W 200W 240W 300W	40 (4000K) 50 (5000K)	UNV (120-277V) HVU (200-480V)	DB (Dark Bronze)	D (Dimmable)	SSL-AL/ARM-SSF/DB SSL-AL/YOKE-MTG/DB SSL-AL/SQ-RD-MTG/DB SSL-AL/T5/LENS SSL-AL/PLATE/M SSL-AL/PLATE/L SSL-AL/WP/WC SSL-AL/HS/M SSL-AL/HS/L SSL-FL/SB/ARM-SSF/DB

\* Type III is default, you can order the optional lens separately for Type V (T5).





# LED Area Light

## SSL-AL

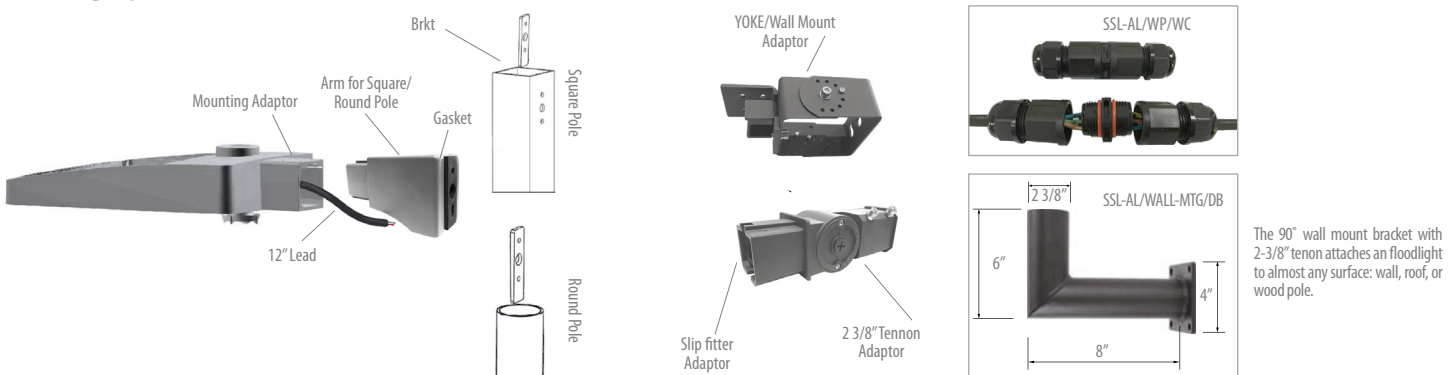
### Product Specification

Ordering Code	DLC Premium	Model Number	Wattage (W)	Input Voltage (V)	Hour Rating	Optics/Distribution	Initial Delivered Lumens (lm)	CCT (K)	CRI	Dimension LxWxH(inch)	Case QTY.
3666133	Y	SSL-AL/T3/70W/40/UNV/DB/D	70	120-277	50,000	Type III	10,000	4000	70	18.5 X 10.5 X 3.54	1
3666134	Y	SSL-AL/T3/70W/50/UNV/DB/D	70	120-277	50,000	Type III	10,000	5000	70	18.5 X 10.5 X 3.54	1
3666235	Y	SSL-AL/T3/100W/40/HVU/DB/D	100	200-480	50,000	Type III	14,500	4000	70	18.5 X 10.5 X 3.54	1
3666135	Y	SSL-AL/T3/100W/40/UNV/DB/D	100	120-277	50,000	Type III	14,500	4000	70	18.5 X 10.5 X 3.54	1
3666236	Y	SSL-AL/T3/100W/50/HVU/DB/D	100	200-480	50,000	Type III	14,500	5000	70	18.5 X 10.5 X 3.54	1
3666136	Y	SSL-AL/T3/100W/50/UNV/DB/D	100	120-277	50,000	Type III	14,500	5000	70	18.5 X 10.5 X 3.54	1
3667223	Y	SSL-AL/T3/150W/40/HVU/DB/D	150	200-480	50,000	Type III	21000	4000	70	18.5 X 10.5 X 3.54	1
3667121	Y	SSL-AL/T3/150W/40/UNV/DB/D	150	120-277	50,000	Type III	21000	4000	70	18.5 X 10.5 X 3.54	1
3667224	Y	SSL-AL/T3/150W/50/HVU/DB/D	150	200-480	50,000	Type III	21,000	5000	70	18.5 X 10.5 X 3.54	1
3667122	Y	SSL-AL/T3/150W/50/UNV/DB/D	150	120-277	50,000	Type III	21,000	5000	70	18.5 X 10.5 X 3.54	1
3667225	Y	SSL-AL/T3/200W/40/HVU/DB/D	200	200-480	50,000	Type III	28,800	4000	70	21.5 X 16.9 X 3.54	1
3667123	Y	SSL-AL/T3/200W/40/UNV/DB/D	200	120-277	50,000	Type III	28,800	4000	70	21.5 X 16.9 X 3.54	1
3667226	Y	SSL-AL/T3/200W/50/HVU/DB/D	200	200-480	50,000	Type III	28,800	5000	70	21.5 X 16.9 X 3.54	1
3667124	Y	SSL-AL/T3/200W/50/UNV/DB/D	200	120-277	50,000	Type III	28,800	5000	70	21.5 X 16.9 X 3.54	1
3667227	Y	SSL-AL/T3/240W/40/HVU/DB/D	240	200-480	50,000	Type III	34,800	4000	70	21.5 X 16.9 X 3.54	1
3667125	Y	SSL-AL/T3/240W/40/UNV/DB/D	240	120-277	50,000	Type III	34,800	4000	70	21.5 X 16.9 X 3.54	1
3667228	Y	SSL-AL/T3/240W/50/HVU/DB/D	240	200-480	50,000	Type III	34,800	5000	70	21.5 X 16.9 X 3.54	1
3667126	Y	SSL-AL/T3/240W/50/UNV/DB/D	240	120-277	50,000	Type III	34,800	5000	70	21.5 X 16.9 X 3.54	1
3668206	Y	SSL-AL/T3/300W/40/HVU/DB/D	300	200-480	50,000	Type III	44,000	4000	70	21.5 X 16.9 X 3.54	1
3668106	Y	SSL-AL/T3/300W/40/UNV/DB/D	300	120-277	50,000	Type III	44,000	4000	70	21.5 X 16.9 X 3.54	1
3668207	Y	SSL-AL/T3/300W/50/HVU/DB/D	300	200-480	50,000	Type III	44,000	5000	70	21.5 X 16.9 X 3.54	1
3668107	Y	SSL-AL/T3/300W/50/UNV/DB/D	300	120-277	50,000	Type III	44,000	5000	70	21.5 X 16.9 X 3.54	1
3660078		SSL-AL/ARM-SSF/DB	Male Adjustable Slip Fitter for Area Light , 3x18AWG SJTW Cable Installed , Dark Bronze								
3660079		SSL-AL/YOKE-MTG/DB	Male Adjustable Trunnion Mounting for Area Light , Dark Bronze (** for use with SSL-AL/WP/WC)								
3660080		SSL-AL/SQ-RD-MTG/DB	Universal Male Straight Arm for Square/Round Pole , Dark Bronze								
3660081		SSL-AL/T5/LENS	SSL-AL Type V Lens								
3660082		SSL-AL/PLATE/M	SSL-AL Drilled Driver Compartment Cover for Motion Sensor 70/100/150W, Dark Bronze								
3660083		SSL-AL/PLATE/L	SSL-AL Drilled Driver Compartment Cover for Motion Sensor 200/240/300W, Dark Bronze								
3660084		SSL-AL/WP/WC	SSL-AL Wire to Wire Connector IP68, 450VAC, GA, AWG 20-14 Black (** Suggested use with SSL-AL/YOKE-MTG/DB)								
3660085		SSL-AL/HS/M	House Shield for SSL-AL 70/100/160W , Dark Bronze								
3660086		SSL-AL/HS/L	House Shield for SSL-AL 200/240/300W , Dark Bronze								
3660093		SSL-AL/WALL-MTG/DB	90° Wall Mount with 2-3/8" O.D. Tenon								

### EPA Calculation

Wattage	Diagram 1	Diagram 2	Diagram 3	Diagram 4	Diagram 5
SSL-AL/T3/70W	0.43	0.59	0.86	0.86	0.86
SSL-AL/T3/100W	0.43	0.59	0.86	0.86	0.86
SSL-AL/T3/150W	0.43	0.59	0.86	0.86	0.86
SSL-AL/T3/200W	0.46	0.68	0.92	0.92	0.92
SSL-AL/T3/240W	0.46	0.68	0.92	0.92	0.92
SSL-AL/T3/300W	0.46	0.68	0.92	0.92	0.92

### Mounting Options



The 90° wall mount bracket with 2-3/8" tenon attaches an floodlight to almost any surface: wall, roof, or wood pole.



# LED FIXTURE

## SSL Series



# LED Wall Pack SSL-WP1S

Enhanced LED performance in a classic design, offers efficiently deliver lumens, and consume less energy than traditional wall pack technologies.



### Features & Benefits

CUL listed, DLC qualified	Junction box or wall mounted directly
Available with lumen outputs from 3,550 to 10,500	CRI≥70, L70 @ 50,000 Hrs
LM-80 certified high performance and reliable lumileds LEDs	Voltage 120-277V/347V-480V
Die-cast aluminum with durable dark bronze finish	Photocell Sensor optional
Wet location rated	Polycarbonate lens with UV stabilizers

### Warranty

5-year limited warranty in commercial use from the date of purchase  
Operating temperature range between -40°C and +40°C

### Applications

Security, pathway and perimeter lighting, Building entryways and walkways

### Product Specification

Ordering Code	DLC*	Model Number	Description	Wattage (W)	Input Voltage (V)	Hour Rating	Optics/ Distribution	Initial Delivered Lumens (lm)	CCT (K)	CRI	Dimension L×W×H(inch)	Case QTY.
3664131	Y/P	SSL-WP1S/30W/40/UNV/DB	30W LED Wall Pack, 40K, 120-277V, Dark Bronze	30	120-277V	50,000	H110° × V100°	3550	4000	70	14.21 x 7.2 x 9.25	1
3664127	Y/P	SSL-WP1S/30W/50/UNV/DB	30W LED Wall Pack, 50K, 120-277V, Dark Bronze	30	120-277V	50,000	H110° × V100°	3600	5000	70	14.21 x 7.2 x 9.25	1
3665152	Y/P	SSL-WP1S/40W/40/UNV/DB	40W LED Wall Pack, 40K, 120-277V, Dark Bronze	40	120-277V	50,000	H110° × V100°	5000	4000	70	14.21 x 7.2 x 9.25	1
3665141	Y/P	SSL-WP1S/40W/50/UNV/DB	40W LED Wall Pack, 50K, 120-277V, Dark Bronze	40	120-277V	50,000	H110° × V100°	5100	5000	70	14.21 x 7.2 x 9.25	1
3665247	Y/P	SSL-WP1S/40W/40/HVU/DB	40W LED Wall Pack, 40K, 347-480V, Dark Bronze	40	347-480V	50,000	H110° × V100°	5000	4000	70	14.21 x 7.2 x 9.25	1
3665229	Y/P	SSL-WP1S/40W/50/HVU/DB	40W LED Wall Pack, 50K, 347-480V, Dark Bronze	40	347-480V	50,000	H110° × V100°	5100	5000	70	14.21 x 7.2 x 9.25	1
3666138	Y	SSL-WP1S/65W/40/UNV/DB	65W LED Wall Pack, 40K, 120-277V, Dark Bronze	65	120-277V	50,000	H110° × V100°	7800	4000	70	14.21 x 7.2 x 9.25	1
3666127	Y	SSL-WP1S/65W/50/UNV/DB	65W LED Wall Pack, 50K, 120-277V, Dark Bronze	65	120-277V	50,000	H110° × V100°	7900	5000	70	14.21 x 7.2 x 9.25	1
3666241	Y	SSL-WP1S/65W/40/HVU/DB	65W LED Wall Pack, 40K, 347-480V, Dark Bronze	65	347-480V	50,000	H110° × V100°	7800	4000	70	14.21 x 7.2 x 9.25	1
3666232	Y	SSL-WP1S/65W/50/HVU/DB	65W LED Wall Pack, 50K, 347-480V, Dark Bronze	65	347-480V	50,000	H110° × V100°	7900	5000	70	14.21 x 7.2 x 9.25	1
3666139	Y	SSL-WP1S/90W/40/UNV/DB	90W LED Wall Pack, 40K, 120-277V, Dark Bronze	90	120-277V	50,000	H110° × V100°	10000	4000	70	14.21 x 7.2 x 9.25	1
3666140	Y	SSL-WP1S/90W/50/UNV/DB	90W LED Wall Pack, 50K, 120-277V, Dark Bronze	90	120-277V	50,000	H110° × V100°	10500	5000	70	14.21 x 7.2 x 9.25	1
3660024		JC-403	Photocell Sensor, for Wall Pack 120-277V application only									



Photocell

\* DLC Premium (Y/P)



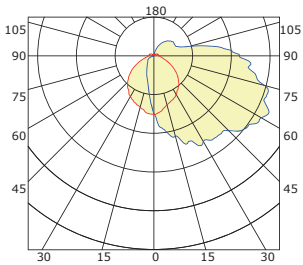
# LED Wall Pack

## SSL-WP1S

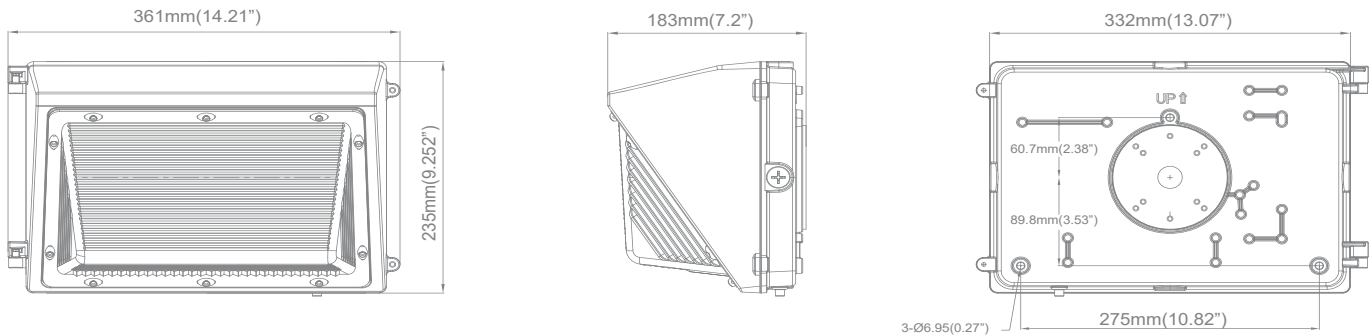
### Ordering Information Example: SSL-WP1S/30W/50/UNV/DB

Family Name	Fixture Type	Wattage	CCT	Voltage (V)	Body Finish	Mounting	Options
SSL (Solid State Lighting)	WP1S(Wall Pack)	30W 40W 65W 90W	40 (4000K) 50 (5000K)	UNV (120-277V) HVU (347-480V)	DB (Dark Bronze)	Wall	Photocell Sensor

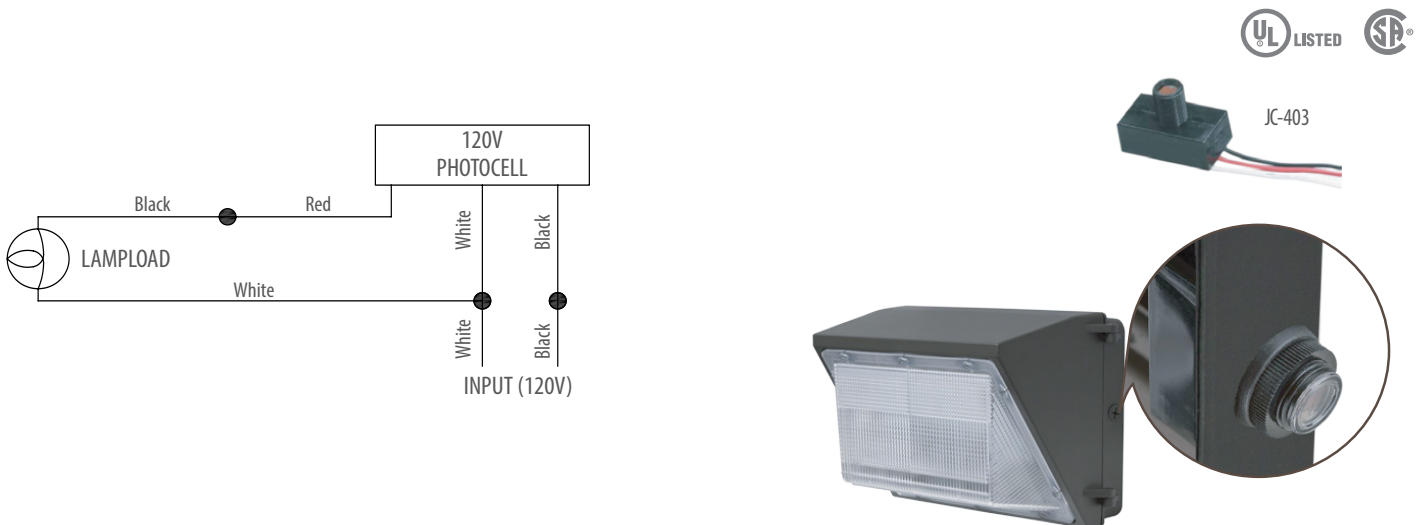
### Photometrics



### Dimensional Drawing



### Wiring Instruction (With Photocell)







# LED FIXTURE

## SSL Series



90W~140W



30W~70W

# LED Wall Pack SSL-WP1

Enhanced LED performance in a classic design, offers efficiently deliver lumens, and consume less energy than traditional wall pack MH technologies.



### Features & Benefits

CUL listed, DLC	Junction box or wall mounted directly
Available with lumen outputs from 3,400 to 16,400 lumens	CRI≥70, L70 @ 50,000 Hrs
LM-80 certified high performance and reliable lumileds LEDs	Voltage 120-277V/347V
Die-cast aluminum with durable dark bronze coat finish	Photocell Sensor optional
Wet location rated	Wall Pack Reflector optional

### Warranty

5-year limited warranty in commercial use from the date of purchase  
Operating temperature range between -40°C and +40°C

### Applications

Security, pathway and perimeter lighting, Building entryways and walkways

### Product Specification

Ordering Code	DLC	Model Number	Description	Wattage (W)	Input Voltage (V)	Hour Rating	Optics/ Distribution	Initial Delivered Lumens (lm)	CCT (K)	CRI	Dimension L×W×H(inch)	Case QTY.
3664110	Y	SSL-WP1/30W/50/UNV/DB	30W Wall Pack, 50K, 100-277V, Dark Bronze	30	100-277	50,000	H110° × V100°	3400	5000K	70	14.21 x 7.40 x 9.25	1
3665108	Y	SSL-WP1/45W/50/UNV/DB	45W Wall Pack, 50K, 100-277V, Dark Bronze	45	100-277	50,000	H110° × V100°	5300	5000K	70	14.21 x 7.40 x 9.25	1
3665202	Y	SSL-WP1/40W/50/347/DB	40W Wall Pack 50K, 347V, Dark Bronze	40	347	50,000	H110° × V100°	4700	5000K	70	14.21 x 7.40 x 9.25	1
3666104	Y	SSL-WP1/70W/50/UNV/DB	70W Wall Pack, 50K, 100-277V, Dark Bronze	70	100-277	50,000	H110° × V100°	8100	5000K	70	14.21 x 7.40 x 9.25	1
3666203	Y	SSL-WP1/60W/50/347/DB	60W Wall Pack, 50K, 347V, Dark Bronze	60	347	50,000	H110° × V100°	7000	5000K	70	14.21 x 7.40 x 9.25	1
3666105	Y	SSL-WP1/90W/50/UNV/DB	90W Wall Pack, 50K, 120-277V, Dark Bronze	90	120-277	50,000	H110° x V90°	11200	5000K	70	18 x 8.75 x 9.75	1
3666210	-	SSL-WP1/95W/50/347/DB	95W Wall Pack, 50K, 347V, Dark Bronze	95	347	50,000	H110° x V90°	8500	5000K	70	18 x 8.75 x 9.75	1
3667102	Y	SSL-WP1/135W/50/UNV/DB	135W Wall Pack, 50K, 120-277V, Dark Bronze	135	120-277	50,000	H110° x V90°	16400	5000K	70	18 x 8.75 x 9.75	1
3667212	Y	SSL-WP1/140W/50/347/DB	140W Wall Pack, 50K, 347V, Dark Bronze	140	347	50,000	H110° x V90°	14450	5000K	70	19 x 8.75 x 9.75	1
3660001		SSL-WP/R/M	LED Wall Pack Reflector Medium 30W-70W									
3660002		SSL-WP/R/L	SSL LED Wall Pack Reflector Large 90W-140W									
3660003		SSL-WPCP/45W/PS	45W Power Supply for Wall Pack & Canopy Light									
3660004		SSL-WPCP/70W/PS	70W Power Supply for Wall Pack & Canopy Light									
3660005		SSL-WP/50W/75W/347/TS SSL-WP/145W/347/TS	347V Transformer Set for 40W & 60W Wall Pack 347V Transformer Set for 95W & 140W Wall Pack									
3660000		LC-105	Photocell Sensor, for Wall Pack 120V application only									
		AA-1068M, JL-403C	Photocell Sensor, for Wall Pack 277V & 347V application only <sup>1</sup>									

<sup>1</sup> Only applicable with 347V to 277V stepdown transformer; JL-403C for UNV & 347V application.



# LED Wall Pack

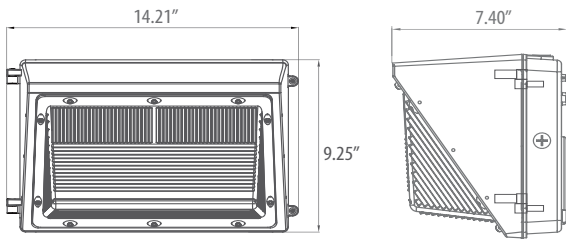
## SSL-WP1

### Ordering Information Example: SSL-WP1/30W/50/UNV/DB

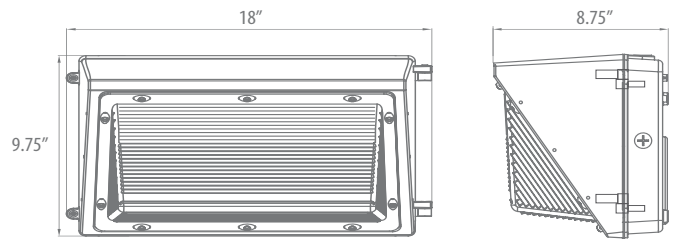
Family Name	Fixture Type	Wattage	CCT	Voltage (V)	Body Finish	Mounting	Options
SSL (Solid State Lighting)	WP1 (Wall Pack)	30W 45W, 40W 70W, 60W 95W, 90W 140W, 135W	50 (5000K)	UNV (120-277V) 347V	DB (Dark Bronze)	Wall	Wall Pack Reflector Photocell Sensor

### Dimensional Drawing

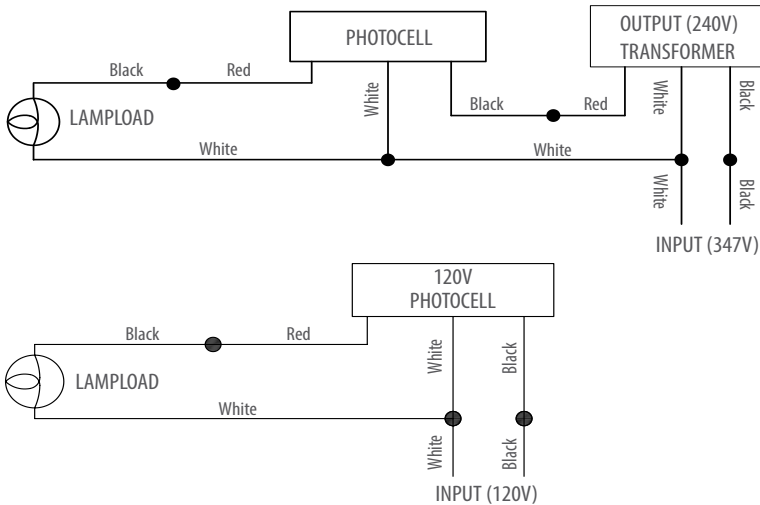
30W~70W OUTPUT



90W~140W OUTPUT



### Wiring Instruction (With Photocell)





**LED FIXTURE**  
SSL Series



Head tilts to 20 degree

# Full Cutoff LED Slim Wall Pack SSL-WP2

Enhanced LED performance in a classic design, offers maximum light output for general purpose area and security lighting, efficiently deliver lumens, and consume less energy than traditional wall mount technologies.



## Features & Benefits

CUL listed, DLC	Type III light distribution is available
Available with lumen outputs from 3,000 to 10,500 lumens	Junction box or wall mounted directly
LM-80 certified high performance and reliable lumileds LEDs	CRI≥70, L70 @ 50,000 Hrs
Die-cast aluminum housing with dark bronze coat finish, head can be tilted design	Voltage 120-277V, 120V photocell sensor installed
Wet location rated	

## Warranty

5-year limited warranty in commercial use from the date of purchase  
Operating temperature range between -40°C and +40°C

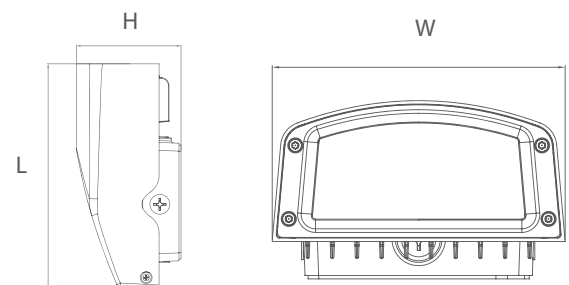
## Product Specification

Ordering Code	DLC	Model Number	Description	Wattage (W)	Input Voltage (V)	Hour Rating	Optics/ Distribution	Initial Delivered Lumens (lm)	CCT (K)	CRI	Dimension L×W×H(inch)	Case QTY.
3664107	Y	SSL-WP2/30W/50/UNV/DB/PS1	30W LED Slim Wall Pack, 50K, 120V, Dark Bronze with photocell sensor	30	120	50,000	TYPE III	3000	5000K	70	8.96 x 6.77 x 4.13	6
3665115	Y	SSL-WP2/40W/50/UNV/DB/PS1	40W LED Slim Wall Pack, 50K, 120V, Dark Bronze with photocell sensor	40	120	50,000	TYPE III	4500	5000K	70	8.96 x 6.77 x 4.13	6
3666112	Y	SSL-WP2/70W/50/UNV/DB/PS1	70W LED Slim Wall Pack, 50K, 120V, Dark Bronze with photocell sensor	70	120	50,000	TYPE III	7800	5000K	70	12.99 x 10.16 x 5.17	1
3666113	Y	SSL-WP2/90W/50/UNV/DB/PS1	90W LED Slim Wall Pack, 50K, 120V, Dark Bronze with photocell sensor	90	120	50,000	TYPE III	10500	5000K	70	12.99 x 10.16 x 5.17	1

## Applications

Security, pathway and perimeter lighting Building entryways and walkways

## Dimensional drawing



## Ordering Information

Example: SSL-WP2/30W/50/UNV/DB/PS1

Family Name	Fixture Type	Wattage	CCT	Voltage (V)	Body Finish	Options
SSL (Solid State Lighting)	WP2 (Full Cutoff Slim Wall Pack)	90W, 70W 40W, 30W	50 (5000K)	UNV (120-277V)	DB (Dark Bronze)	PS1 (Photocell Sensor)



# LED FIXTURE

## SSL Series



90W ~ 135W



27W ~ 70W

# Full Cutoff LED Wall Pack

## SSL-WP3S

Enhanced LED performance in a classic design, offer maximum light output for general purpose area and security lighting.



### Features & Benefits

CUL listed, DLC

Available with lumen outputs from 3,800 to 18,000 lumens

Die-cast aluminum with durable dark bronze coat finish

Wet location rated

Junction box or wall mounted directly

CRI=70, L70 @ 50,000 Hrs

Voltage 120-277V/347V

Photocell Sensor optional

### Warranty


5-year limited warranty in commercial use from the date of purchase

Operating temperature range between -40°C and +45°C

### Applications

Security, pathway and perimeter lighting, Building entryways and walkways

### Product Specification

Ordering Code	DLC	Model Number	Description	Wattage (W)	Input Voltage (V)	Hour Rating	Optics/ Distribution	Lumens (lm)	CCT (K)	CRI	Dimension LxWxH(inch)	Case QTY.
3664132	Y	SSL-WP3S/27W/40/UNV/DB	27W LED Full Cut Off Wall Pack, 40K, 120-277V, Dark Bronze	27	120-277	50,000	TYPE III	3800	4000	70	14.21 x 7.99 x 9.24	1
3664133	Y	SSL-WP3S/27W/50/UNV/DB	27W LED Full Cut Off Wall Pack, 50K, 120-277V, Dark Bronze	27	120-277	50,000	TYPE III	3850	5000	70	14.21 x 7.99 x 9.24	1
3665153	Y	SSL-WP3S/45W/40/UNV/DB	45W LED Full Cut Off Wall Pack, 40K, 120-277V, Dark Bronze	45	120-277	50,000	TYPE III	6300	4000	70	14.21 x 7.99 x 9.24	1
3665154	Y	SSL-WP3S/45W/50/UNV/DB	45W LED Full Cut Off Wall Pack, 50K, 120-277V, Dark Bronze	45	120-277	50,000	TYPE III	6350	5000	70	14.21 x 7.99 x 9.24	1
3665248	Y	SSL-WP3S/45W/40/347V/DB	45W LED Full Cut Off Wall Pack, 40K, 347V, Dark Bronze	45	347	50,000	TYPE III	6300	4000	70	14.21 x 7.99 x 9.24	1
3665249	Y	SSL-WP3S/45W/50/347V/DB	45W LED Full Cut Off Wall Pack, 50K, 347V, Dark Bronze	45	347	50,000	TYPE III	6350	5000	70	14.21 x 7.99 x 9.24	1
3666141	Y	SSL-WP3S/70W/40/UNV/DB	70W LED Full Cut Off Wall Pack, 40K, 120-277V, Dark Bronze	70	120-277	50,000	TYPE III	9700	4000	70	14.21 x 7.99 x 9.24	1
3666142	Y	SSL-WP3S/70W/50/UNV/DB	70W LED Full Cut Off Wall Pack, 50K, 120-277V, Dark Bronze	70	120-277	50,000	TYPE III	9750	5000	70	14.21 x 7.99 x 9.24	1
3666242	Y	SSL-WP3S/70W/40/347V/DB	70W LED Full Cut Off Wall Pack, 40K, 347V, Dark Bronze	70	347	50,000	TYPE III	9700	4000	70	14.21 x 7.99 x 9.24	1
3666243	Y	SSL-WP3S/70W/50/347V/DB	70W LED Full Cut Off Wall Pack, 50K, 347V, Dark Bronze	70	347	50,000	TYPE III	9750	5000	70	14.21 x 7.99 x 9.24	1
3666143	Y	SSL-WP3S/90W/40/UNV/DB	90W LED Full Cut Off Wall Pack, 40K, 120-277V, Dark Bronze	90	120-277	50,000	TYPE III	12200	4000	70	18.1 x 9.02 x 9.75	1
3666144	Y	SSL-WP3S/90W/50/UNV/DB	90W LED Full Cut Off Wall Pack, 50K, 120-277V, Dark Bronze	90	120-277	50,000	TYPE III	12300	5000	70	18.1 x 9.02 x 9.75	1
3666244	Y	SSL-WP3S/90W/40/347V/DB	90W LED Full Cut Off Wall Pack, 40K, 347V, Dark Bronze	90	347	50,000	TYPE III	12200	4000	70	18.1 x 9.02 x 9.75	1
3666245	Y	SSL-WP3S/90W/50/347V/DB	90W LED Full Cut Off Wall Pack, 50K, 347V, Dark Bronze	90	347	50,000	TYPE III	12300	5000	70	18.1 x 9.02 x 9.75	1
3667127	Y	SSL-WP3S/135W/40/UNV/DB	135W LED Full Cut Off Wall Pack, 40K, 120-277V, Dark Bronze	135	120-277	50,000	TYPE III	18000	4000	70	18.1 x 9.02 x 9.75	1
3667128	Y	SSL-WP3S/135W/50/UNV/DB	135W LED Full Cut Off Wall Pack, 50K, 120-277V, Dark Bronze	135	120-277	50,000	TYPE III	18000	5000	70	18.1 x 9.02 x 9.75	1
3667229	Y	SSL-WP3S/135W/40/347V/DB	135W LED Full Cut Off Wall Pack, 40K, 347V, Dark Bronze	135	347	50,000	TYPE III	18000	4000	70	18.1 x 9.02 x 9.75	1
3667230	Y	SSL-WP3S/135W/50/347V/DB	135W LED Full Cut Off Wall Pack, 50K, 347V, Dark Bronze	135	347	50,000	TYPE III	18000	5000	70	18.1 x 9.02 x 9.75	1
		JL-403C	Photocell Sensor, for Wall Pack UNV	 Photocell								



# Full Cutoff LED Wall Pack

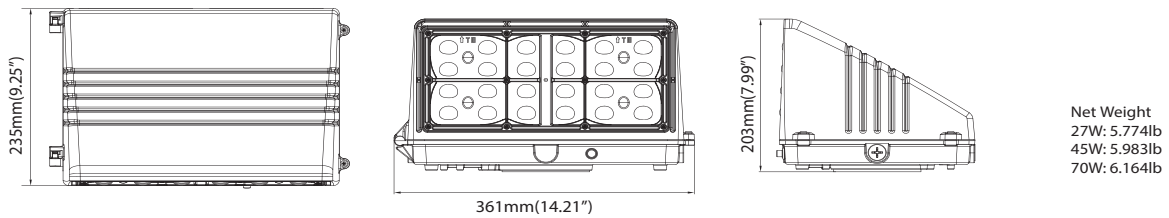
## SSL-WP3S

### Ordering Information Example: SSL-WP3S/27W/40/UNV/DB

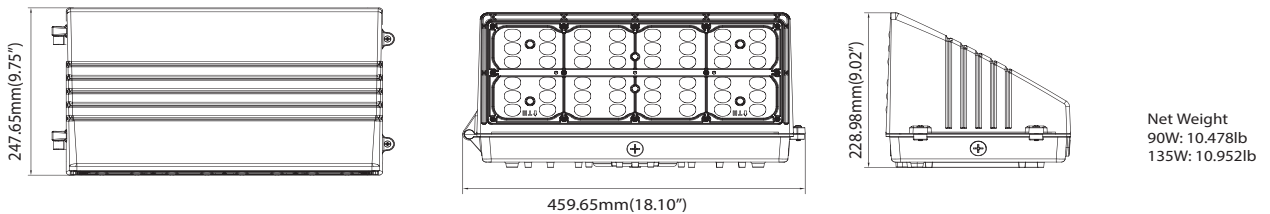
Family Name	Fixture Type	Wattage	CCT	Voltage (V)	Body Finish	Mounting	Options
SSL (Solid State Lighting)	WP3S (Full Cutoff Wall Pack)	27W 45W 70W 90W 135W	40 (4000K) 50 (5000K)	UNV(120-277V) 347V	DB (Dark Bronze)	Wall	Photocell Sensor

### Dimensional Drawing

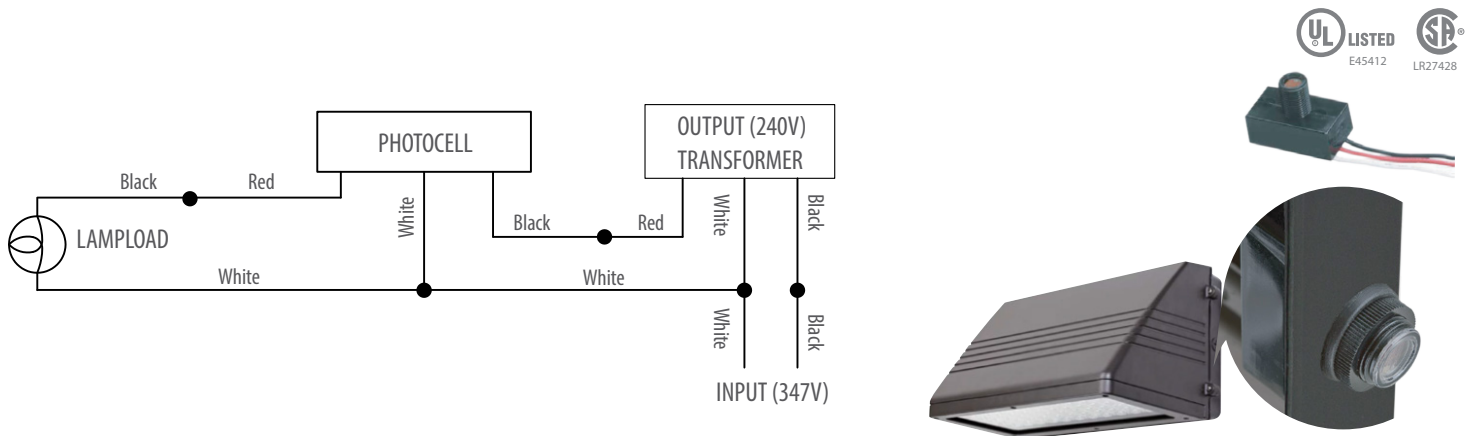
#### 27W~70W OUTPUT



#### 90W~135W OUTPUT



### Wiring Instruction (With Photocell)





# LED FIXTURE

## SSL Series



# LED Canopy SSL-CP2

Ultra-thin design allows for use in low ceiling applications.



### Features & Benefits

CUL listed, DLC qualified

Available with lumen outputs from 3,800 to 8,000 lumens

System light efficacy ≥ 141 lm / W

Ultra light design, black body finish

Wet location listed

PIR sensor, emergency battery optional, external MTG.

Voltage 120-277V/347-480V, support 1-10V dimmable\*

CRI≥70, L70 @ 50,000 Hrs/ other CCT available consult MFG.

Suitable for J-BOX mounting, and pendant mounting

PC optical lens

### Warranty

5-year limited warranty in commercial use from the date of purchase

Operating temperature range between -40°C and +40°C

### Applications

Parking structures, storage areas, shopping area walkways, entryway, and low level security

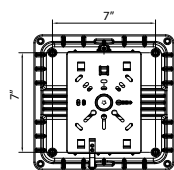
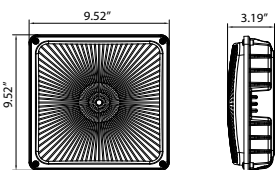
\* For details, see product specification below

### Product Specification

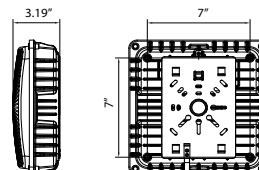
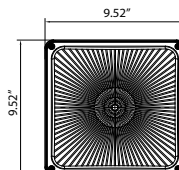
Ordering Code	DLC	Model Number	Description	Wattage (W)	Input Voltage (V)	Hour Rating	Optics/ Distribution	Initial Delivered Lumens (lm)	CCT (K)	CRI	Dimension L×W×H(inch)	Case QTY.
-	Y	SSL-CP2/27W/40/UNV/BK	27W, 40K, 120-277V, Black	27	120-277	50,000	H160° x V160°	3800	4000K	70	9.52 x 9.52 x 3.19	1
3664125	Y	SSL-CP2/27W/50/UNV/BK	27W, 50K, 120-277V, Black	27	120-277	50,000	H160° x V160°	3800	5000K	70	9.52 x 9.52 x 3.19	1
-	Y	SSL-CP2/27W/40/UNV/BK/D	27W, 40K, 120-277V, Black, 1-10V Dimming	27	120-277	50,000	H160° x V160°	3800	4000K	70	9.52 x 9.52 x 3.19	1
3664126	Y	SSL-CP2/27W/50/UNV/BK/D	27W, 50K, 120-277V, Black, 1-10V Dimming	27	120-277	50,000	H160° x V160°	3800	5000K	70	9.52 x 9.52 x 3.19	1
-	Y	SSL-CP2/40W/40/UNV/BK	40W, 40K, 120-277V, Black	40	120-277	50,000	H160° x V160°	5450	4000K	70	9.52 x 9.52 x 3.19	1
3665139	Y	SSL-CP2/40W/50/UNV/BK	40W, 50K, 120-277V, Black	40	120-277	50,000	H160° x V160°	5450	5000K	70	9.52 x 9.52 x 3.19	1
-	Y	SSL-CP2/40W/40/UNV/BK/D	40W, 40K, 120-277V, Black, 1-10V Dimming	40	120-277	50,000	H160° x V160°	5450	4000K	70	9.52 x 9.52 x 3.19	1
3665140	Y	SSL-CP2/40W/50/UNV/BK/D	40W, 50K, 120-277V, Black, 1-10V Dimming	40	120-277	50,000	H160° x V160°	5450	5000K	70	9.52 x 9.52 x 3.19	1
-	Y	SSL-CP2/40W/40/HVU/BK/D	40W, 40K, 347-480V, Black, 1-10V Dimming	40	347-480	50,000	H160° x V160°	5450	4000K	70	9.52 x 9.52 x 3.19	1
3665228	Y	SSL-CP2/40W/50/HVU/BK/D	40W, 50K, 347-480V, Black, 1-10V Dimming	40	347-480	50,000	H160° x V160°	5450	5000K	70	9.52 x 9.52 x 3.19	1
-	Y	SSL-CP2/60W/40/UNV/BK	60W, 40K, 120-277V, Black	60	120-277	50,000	H160° x V160°	8000	4000K	70	9.52 x 9.52 x 3.19	1
3666125	Y	SSL-CP2/60W/50/UNV/BK	60W, 50K, 120-277V, Black	60	120-277	50,000	H160° x V160°	8000	5000K	70	9.52 x 9.52 x 3.19	1
-	Y	SSL-CP2/60W/40/UNV/BK/D	60W, 40K, 120-277V, Black, 1-10V Dimming	60	120-277	50,000	H160° x V160°	8000	4000K	70	9.52 x 9.52 x 3.19	1
3666126	Y	SSL-CP2/60W/50/UNV/BK/D	60W, 50K, 120-277V, Black, 1-10V Dimming	60	120-277	50,000	H160° x V160°	8000	5000K	70	9.52 x 9.52 x 3.19	1
-	Y	SSL-CP2/60W/40/HVU/BK/D	60W, 40K, 347-480V, Black, 1-10V Dimming	60	347-480	50,000	H160° x V160°	8000	4000K	70	9.52 x 9.52 x 3.19	1
3666231	Y	SSL-CP2/60W/50/HVU/BK/D	60W, 50K, 347-480V, Black, 1-10V Dimming	60	347-480	50,000	H160° x V160°	8000	5000K	70	9.52 x 9.52 x 3.19	1

### Dimensional drawing

Net Weight: 27W: 3.615lb 40W: 4.166lb



Net Weight: 60W: 5.070lb



### Ordering Information Example: SSL-CP2/27W/50/UNV/BK/D

Family Name	Fixture Type	Wattage	CCT	Voltage (V)	Body Finish	Dimmable	Options
SSL (Solid State Lighting)	CP2 (LED Canopy)	25W, 40W, 60W	40 (4000K) 50 (5000K)	UNV (120~277V), HVU (347~480V)	BK (Black)	D(Dimmable), Blank (Non-Dimmable)	TL-2052 (Sensor)





# LED FIXTURE

## SSL Series

### LED Outdoor Commercial Entry Light SSL-DW1

Enhanced LED performance in a classic design, offers maximum light output for general purpose area and security lighting, efficiently deliver lumens, and consume less energy than traditional wall mount technologies.



Lens Clear

Lens Frost



#### Features & Benefits

CUL listed, DLC

Available with lumen outputs from 1600 to 2700 lumens

LM-80 certified high performance and reliable lumileds LEDs

Die-cast aluminum with durable dark bronze body finish

Wet location rated

Junction box or wall mounted directly

CRI≥70\*, L70 @ 50,000 Hrs

PC Lens clear or frost optional

\* For details, see product specification below

#### Warranty

5-year limited warranty in commercial use from the date of purchase

Operating temperature range between -40°C and +40°C

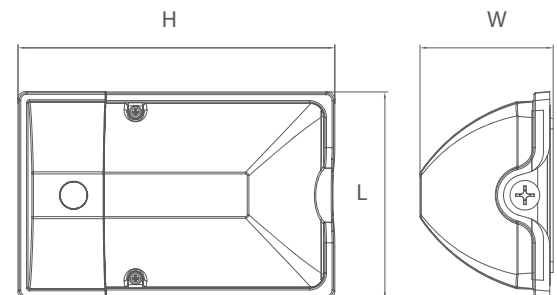
#### Product Specification

Ordering Code	DLC	Model Number	Description	Wattage (W)	Input Voltage (V)	Hour Rating	Optics/ Distribution	Initial Delivered Lumens (lm)	CCT (K)	CRI	Dimension L×W×H(inch)	Case QTY.
3662105	Y	SSL-DW1/15W/50/120/F/DB	LED 15W, 50K, 120V, PC Lens Frost, Dark Bronze	15	120	50,000	H105° x V90°	1600	5000K	82	5.48 x 3.52 x 8.38	12
3663109	Y	SSL-DW1/17W/50/120/F/DB	LED 17W, 50K, 120V, PC Lens Frost, Dark Bronze	17	120	50,000	H90° x V110°	2000	5000K	70	5.48 x 3.52 x 8.38	12
3664102	Y	SSL-DW1/25W/50/120/F/DB	LED 25W, 50K, 120V, PC Lens Frost, Dark Bronze	25	120	50,000	H90° x V110°	2700	5000K	70	5.48 x 3.52 x 8.38	12
3663106	Y	SSL-DW1/17W/50/120/C/DB	LED 17W, 50K, 120V, PC Lens Clear, Dark Bronze	17	120	50,000	H90° x V70°	1700	5000K	82	5.48 x 3.52 x 8.38	12
3664103	Y	SSL-DW1/25W/50/120/C/DB	LED 25W, 50K, 120V, PC Lens Clear, Dark Bronze	25	120	50,000	H90° x V70°	2600	5000K	70	5.48 x 3.52 x 8.38	12

#### Applications

Security, entry ways, stairways, storage and perimeter areas, as well as residential exteriors

#### Dimensional drawing



#### Ordering Information Example: SSL-WP2/30W/50/UNV/DB/PS1

Family Name	Fixture Type	Wattage	CCT	Voltage (V)	Lens	Body Finish
SSL (Solid State Lighting)	DW1 (Outdoor Commercial Entry Light)	25W 17W 15W	50 (5000K)	120 (120V)	F (Frost) C (Clear)	DB (Dark Bronze)





# LED FIXTURE

## SSL Series

# LED Slim Flood SSL-SFL1

The Mini LED floodlights replace 50W, 100W and 150W pulse start metal halide floodlights  
Applications include building facades, landscaping, security lighting and walkways.



Knuckle Mounting



### Features & Benefits

CUL listed

Available with lumen outputs from 1,500 to 5,400 lumens  
Consumes 15W-45W to replace 50W-150W MH light

Rugged Die-cast aluminum housing

UV resistant dark bronze powder body finish

Traditional 1/2" NPS threaded adjustable knuckle mounting  
Trunnion and wall mount (only for 30W & 45W) optional

Wet location rated

Voltage 120-277V

CRI≥70, L70 @ 50,000 Hrs

### Warranty

5-year limited warranty in commercial use from the date of purchase

Operating temperature range between -40°C and +45°C

### Product Specification

Ordering Code	Model Number	Description	Wattage (W)	Input Voltage (V)	Hour Rating	Beam Pattern NEMA	Initial Delivered Lumens (lm)	CCT (K)	CRI	Dimension L×W×H(inch)	Case QTY.
3663100	SSL-SFL1/15W/50/UNV/DB/KNC	15W, 50K, 120-277V, Dark Bronze, Knuckle	15	120-277	50,000	7H×7V	1500	5000K	70	4.72 X 2.95 X 1.27	1
3665113	SSL-SFL1/30W/50/UNV/DB/KNC	30W, 50K, 120-277V, Dark Bronze, Knuckle	30	120-277	50,000	7H×7V	3000	5000K	70	7.08 X 4.42 X 1.61	1
3664122	SSL-SFL1/30W/50/UNV/DB/WM	30W, 50K, 120-277V, Dark Bronze, Wall Mount	30	120-277	50,000	7H×7V	3000	5000K	70	7.08 X 4.42 X 1.61	1
3665114	SSL-SFL1/45W/50/UNV/DB/KNC	45W, 50K, 120-277V, Dark Bronze, Knuckle	45	120-277	50,000	7H×7V	5400	5000K	70	8.26 X 5.16 X 2.45	1

### Applications

Building facades, displays, landscaping, security lighting, walkways and other work areas.

### Mounting Options

#### Trunnion Mount



#### Wall Mount (30W & 45W ONLY) 4 & 5" J-box mounting



### Ordering Information Example: SSL-SFL1/15W/50/UNV/DB/KNC

Family Name	Fixture Type	Wattage	CCT	Voltage (V)	Body Finish	Mounting
SSL (Solid State Lighting)	SFL1 (Slim Flood)	15W 30W 45W	50 (5000K)	UNV (120~277V)	DB (Dark Bronze)	KNC (Knuckle) WM (Wall Mount) TR (Trunnion)



# LED FIXTURE

## SSL Series

# LED Stringer Light Set

## SSL-STRINGER

24 Light, LED outdoor stringer light set



### Features & Benefits

CUL listed, wet location approved

Decorative filament LED bulbs 2200K (warm light)

14.6m / 48 ft heavy-duty 16/3 cord with male & female molded connectors

Connect up to 45 sets 658m / 2160ft using 1W LED lamp only

Includes 24 bulbs plus 2 spares

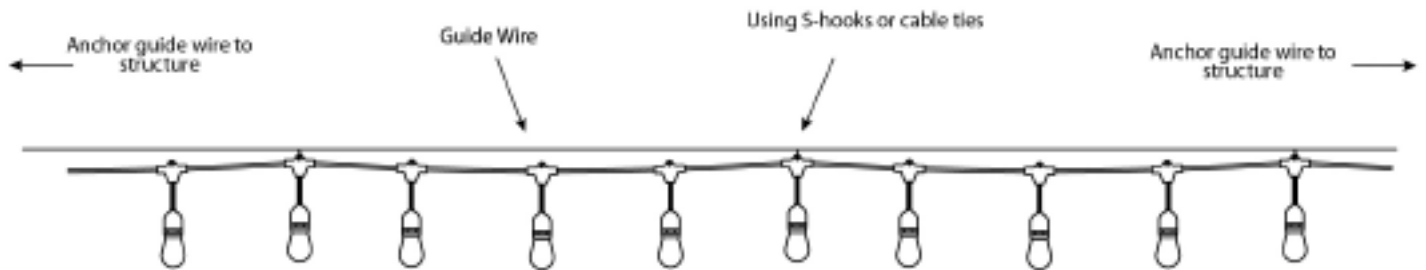
Shatter-resistant bulbs

Bulbs spaced 2ft on centre

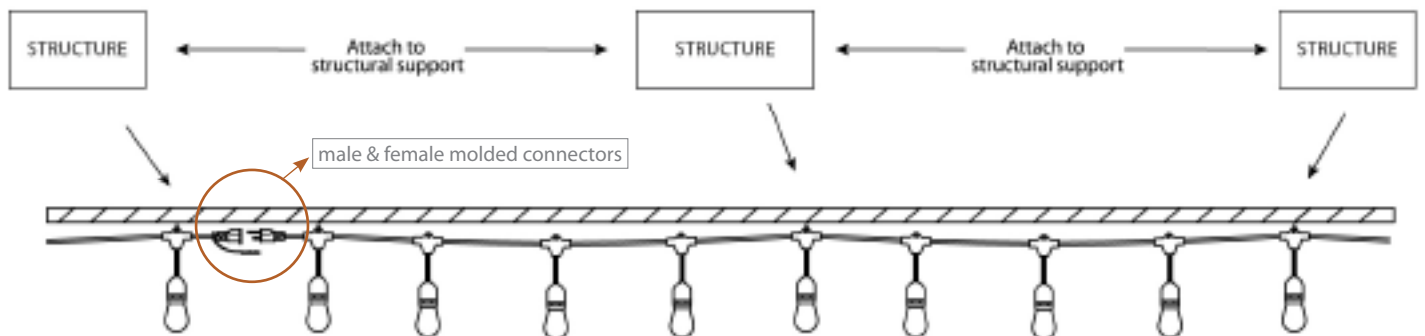
Energy saving 1 watt LED bulbs, 120V

### Installation

**1. If attaching to the guide wire, attach the ring at the back of the bulb holder to the guide wire using a S-hook or cable tie.**



**2. If a guide wire is not used, connect securely to structure at the beginning, middle and the end of EACH string light.**



### Ordering Information Example: SSL-STRINGER/48F/24W/22K/120V

Family Name	Fixture Type	Total Length	Wattage Per Set (Maximum)	CCT	Input Line Voltage
SSL (Solid State Lighting)	STRINGER (Stringer Light Set)	48F (48 feet)	24W	22K (2200K)	120V

### Product Specification

Order Code	Model Number
3664118	SSL-STRINGER/48F/24W/22K/120V

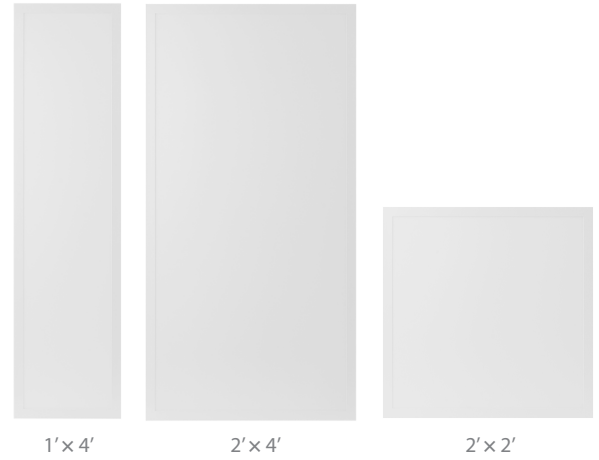


# LED FIXTURE

## RIGID Series

# LED Backlit Panel RGD-BLP

Ultra Slim LED Backlit Panel Luminaire with the latest options,  
Multiple Wattage - Multiple Kelvin, Auto-Sensing Driver



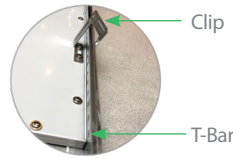
### Features & Benefits

- cUL listed, DLC
- Multiple Wattage and Multiple Kelvin (CCT)
- Ultra slim design, no UV & IR emission
- 3 Convenient sizes (1'x4', 2'x4', 2'x2')
- 120-347V Auto-sensing driver, PF >0.9
- L70 @ 50,000 Hrs, CRI ≥80

- 0-10V Dimmable
- Aluminum body, PMMA lens, 120° beam angle
- Excellent illuminating surface uniformity
- Damp location rated

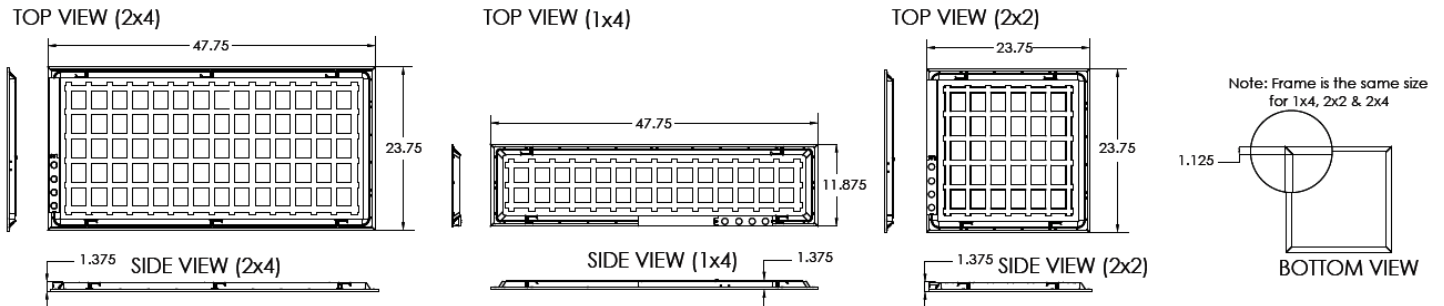
### Warranty

5-year limited warranty in commercial use from the date of purchase  
Operating temperature range between -20°C and +40°C



Clip For recessed grid ceiling installations, our mounting clips may be used to securely mount the RGD-BLP luminaire to the T-Bar frame or as to act as suspension points.

### Dimensional drawing



### Ordering Information Example: RGD-BLP/22/MW/MK/120-347/D

Family Name	Fixture Type	Size	Wattage	CCT (Kelvin)	Voltage	Dimmable
RGD (Rigid)	BLP (Backlit Panel)	22 (2'x2')	40W-36W-30W (2'x2')	35-40-50K	120-347V	D
		14 (1'x4')	40W-36W-30W (1'x4')			(0-10V Dim)
		24 (2'x4')	45W-40W-36W (2'x4')			

	W	L	H
2'x2'	23.75"	23.75"	1.375"
1'x4'	11.875"	47.75"	1.375"
2'x4'	23.75"	47.75"	1.375"

### Product Specification

Ordering Code	DLC	Model Number	Wattage (W)	Input Voltage (V)	Hour Rating	Initial Delivered Lumens (lumen)	CCT (K)	CRI	Dimension (inch)	Case QTY.
3665306	Yes	RGD-BLP/22/MW/MK/120-347/D	40-36-30W	120-347V	50,000	3150-3780-4200	35K-40K-50K	>80	23.74"×23.74"	2
3665307	Yes	RGD-BLP/14/MW/MK/120-347/D	40-36-30W	120-347V	50,000	3150-3780-4200	35K-40K-50K	>80	11.92"×47.75"	2
3665308	Yes	RGD-BLP/24/MW/MK/120-347/D	45-40-36W	120-347V	50,000	3780-4200-4725	35K-40K-50K	>80	23.74"×47.75"	2



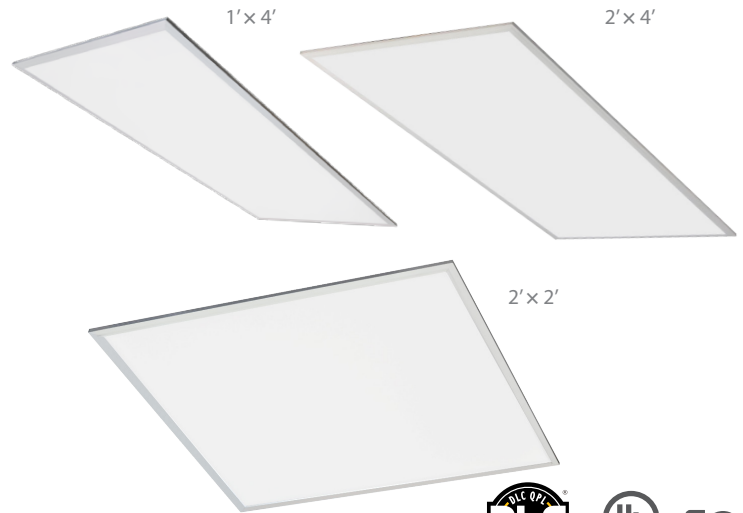
# LED FIXTURE

## RIGID Series

# LED Flat Panel

## RGD-FP2

Ultra Slim LED Flat Panel Luminaire



### Features & Benefits

- CETL listed, DLC Premium\*
- CRI >80
- Ultra slim design, no UV & IR emission
- 3 Convenient sizes
- 120-347V LED Driver, PF >0.95, 125Lm/W
- L70 @ 75,000 Hrs

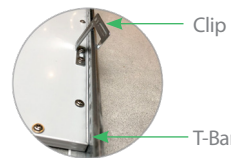
- 0-10V Dimmable
- Aluminum frame, PMMA Opal lens
- 110° Beam spread
- Excellent illuminating surface uniformity
- Large wiring box

### Warranty

5-year limited warranty in commercial use from the date of purchase

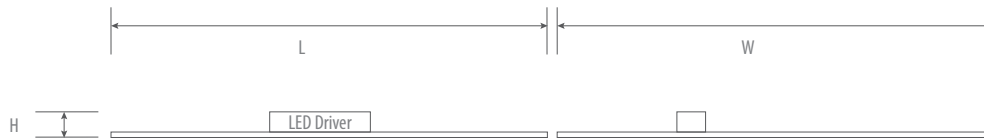
Operating temperature range between -20°C and +60°C

\* DLC under qualifying process Q2, 2019



For recessed grid ceiling installations, our 4 mounting clips may be used to securely mount the RGD-FP luminaire to the T-Bar frame or as to act as suspension points.

### Dimensional drawing



	L	W	H
2'x2'	23 3/4"	23 3/4"	2 1/4"
1'x4'	11 3/4"	47 3/4"	2 1/4"
2'x4'	23 3/4"	47 3/4"	2 1/4"

### Ordering Information Example: PRO-FP2/22/36W/35/120-347V/D

Family Name	Fixture Type	Size	Wattage	CCT (Kelvin)	Voltage	Dimmable
RGD (Rigid)	FP2 (Flat Panel)	22 (2'x2')	36W	35 (3500K)	120-347V	D (0-10V Dim)
		14 (1'x4')	30W	40 (4000K)		
		24 (2'x4')	40W	50 (5000K)		

### Product Specification

Ordering Code	DLC Premium	Model Number	Wattage (W)	Input Voltage (V)	Hour Rating	Initial Delivered Lumens (lumen)	CCT (K)	CRI	Dimension (inch)	Case QTY.
3665234	Yes	RGD-FP2/22/36W/35/120-347V/D	36	120-347V	75,000	4,500	3500	>80	24X24	2
3665235	Yes	RGD-FP2/22/36W/40/120-347V/D	36	120-347V	75,000	4,500	4000	>80	24X24	2
3665238	Yes	RGD-FP2/22/36W/50/120-347V/D	36	120-347V	75,000	4,500	5000	>80	24X24	2
3664209	Yes	RGD-FP2/14/30W/35/120-347V/D	30	120-347V	75,000	3,750	3500	>80	12X48	2
3664210	Yes	RGD-FP2/14/30W/40/120-347V/D	30	120-347V	75,000	3,750	4000	>80	12X48	2
3664211	Yes	RGD-FP2/14/30W/50/120-347V/D	30	120-347V	75,000	3,750	5000	>80	12X48	2
3665236	Yes	RGD-FP2/24/40W/35/120-347V/D	40	120-347V	75,000	5,000	3500	>80	24X48	1
3665237	Yes	RGD-FP2/24/40W/40/120-347V/D	40	120-347V	75,000	5,000	4000	>80	24X48	1
3665239	Yes	RGD-FP2/24/40W/50/120-347V/D	40	120-347V	75,000	5,000	5000	>80	24X48	1
3660088	-	RGD-FP2/14/FRM/WH	1' x 4' surface mount frame							
3660087	-	RGD-FP2/22/FRM/WH	2' x 2' surface mount frame							
3660089	-	RGD-FP2/24/FRM/WH	2' x 4' surface mount frame							



**LED FIXTURE**

**RIGID Series**



# LED Centre Basket RGD-CB2

Recessed commercial grade lay-in luminaire, clean contemporary low glare design  
Multiple Wattage - Multiple Kelvin



## Features & Benefits

120-347V LED auto-sensing driver	cUL listed, DLC Premium
Multiple Wattage and Multiple Kelvin (CCT)	L70 @ 100,000 Hrs
PMMA lens offers clean look low glare	0-10V Dimmable
Range of sizes (1'x4', 2'x2', 2'x4' available)	High CRI (80+)
High quality metal construction in white powder coat finish	Damp location rated, Type IC

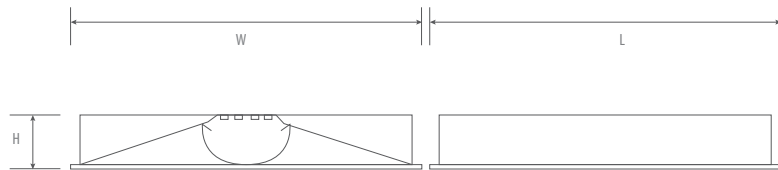
## Warranty

5-year limited warranty in commercial use from the date of purchase
Operating temperature range between -20°C and +50°C

## Applications

Commercial/ Industrial/ Retail location  
For use in Offices, Stores, Schools, Medical building where ever quality light is required.

## Dimensional drawing



	L	W	H
2'x2'	23 3/4"	23 3/4"	2 3/4"
2'x4'	47 3/4"	23 3/4"	2 3/4"
1'x4'	47 3/4"	11 3/4"	2 3/4"

## Ordering Information Example: RGD-CB2/22/MW/MK/120-347/D

Family Name	Fixture Type	Size	Wattage	CCT (Kelvin)	Voltage	Dimmable
RGD (Rigid)	CB2 (Backlit Panel)	22 (2'x2') 14 (1'x4') 24 (2'x4')	40W-36W-30W (2'x2') 40W-36W-30W (1'x4') 45W-40W-36W (2'x4')	35-40-50K	120-347V	D (0-10V Dim)

## Product Specification

Ordering Code	DLC Premium	Model Number	Wattage (W)	Input Voltage (V)	Hour Rating	Initial Delivered Lumens (lumen)	CCT (K)	CRI	Dimension (inch)	Case QTY.
3664303	Yes	RGD-CB2/14/MW/MK/120-347V/D	30-25-20W	120-347V	50,000	3750-3125-2500	35K-40K-50K	>80	11 3/4" x 47 3/4"	1
3664304	Yes	RGD-CB2/22/MW/MK/120-347V/D	30-25-20W	120-347V	50,000	3750-3125-2500	35K-40K-50K	>80	23 3/4" x 23 3/4"	1
3664305	Yes	RGD-CB2/24/MW/MK/120-347V/D	45-38-34W	120-347V	50,000	5625-4750-4250	35K-40K-50K	>80	23 3/4" x 47 3/4"	1



# LED FIXTURE

## RIGID Series



# LED Centre Basket RGD-CB

Recessed commercial grade lay-in luminaire, clean contemporary low glare design, incorporating switchable CCT.



### Features & Benefits

110-347V LED auto-sensing driver

Switchable CCT (30K/ 35K/ 40K)\*

PMMA lens offers clean look low glare

Range of sizes (1'x4', 2'x2', 2'x4' available)

High quality metal construction in white powder coat finish

\* 50K for specific applications available

DLC approved

L70 @ 50,000 Hrs

0-10V Dimmable

High CRI (80+)

### Warranty

5-year limited warranty in commercial use from the date of purchase

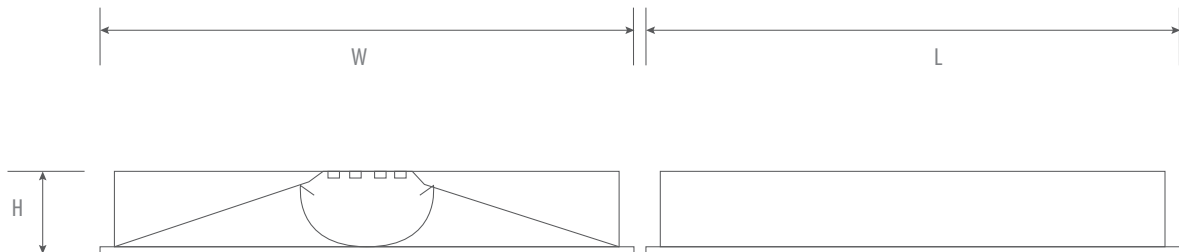
Operating temperature range between -20°C and +40°C

### Applications

Commercial/ Industrial/ Retail location

For use in Offices, Stores, Schools, Medical building where ever quality light is required.

### Dimensional drawing



	L	W	H
<b>2'x2'</b>	23 3/4"	23 3/4"	2 3/4"
<b>2'x4'</b>	47 3/4"	23 3/4"	2 3/4"
<b>1'x4'</b>	47 3/4"	11 3/4"	2 3/4"



# LED Centre Basket

## RGD-CB

### Ordering Information Example: RGD-CB/22/24W/MULTI-K/110-347V

Family Name	Fixture Type	Size	Wattage	CCT (Kelvin)	Voltage	Options
RGD (Rigid)	CB (Centre Basket)	22 (2'x2')	24W 30W	MULTI-K (Multiple CCT, 30K/35K/40K Switchable) 50 (50K)	110-347V	
		14 (1'x4')	30W			
		24 (2'x4')	37W 50W			

### Product Specification

Ordering Code	DLC	Model Number	Wattage (W)	Input Voltage (V)	Hour Rating	Initial Lumens (lumen)	CCT (K)	CRI	Dimension (inch)	Case QTY.
3664200	Yes	RGD-CB/22/24W/MULTI-K/110-347V	24	110-347V	50,000	3,100	30K,35K,40K	>80	24X24	1
3664201	Yes	RGD-CB/22/30W/MULTI-K/110-347V	30	110-347V	50,000	3,700	30K,35K,40K	>80	24X24	1
3665219	Yes	RGD-CB/24/37W/MULTI-K/110-347V	37	110-347V	50,000	4,500	30K,35K,40K	>80	24X48	1
3665220	Yes	RGD-CB/24/50W/MULTI-K/110-347V	50	110-347V	50,000	6,000	30K,35K,40K	>80	24X48	1
3664202	Yes	RGD-CB/22/30W/50/110-347V	30	110-347V	50,000	3,700	50K	>80	24X24	1
3665221	Yes	RGD-CB/24/50W/50/110-347V	50	110-347V	50,000	6,000	50K	>80	24X48	1
3664300	Yes	RGD-CB/14/30W/MULTI-K/110-347V	30	110-347V	50,000	3,930	30K,35K,40K	>80	12X48	1





# LED FIXTURE

## RIGID Series

### LED Discus RGD-HS

Slim design switchable CCT



#### Features & Benefits

- \_\_\_\_\_ Slim design H ≈ 0.6"
- \_\_\_\_\_ Mounts directly to J-box or retrofit 4", 5", 6" downlight
- \_\_\_\_\_ Switchable CCT (30K/40K/50K)
- \_\_\_\_\_ Range of sizes (4", 6", 8", 11" available)
- \_\_\_\_\_ Finish color white (interchangeable trim ring for matt black or satin nickel finish)
- \_\_\_\_\_ Damp location rated

- \_\_\_\_\_ Energy Star approved
- \_\_\_\_\_ L70 @ 50,000 Hrs
- \_\_\_\_\_ 120V - TRIAC dimmable down to 10%
- \_\_\_\_\_ High CRI (80+)
- \_\_\_\_\_ Beam angle 120°

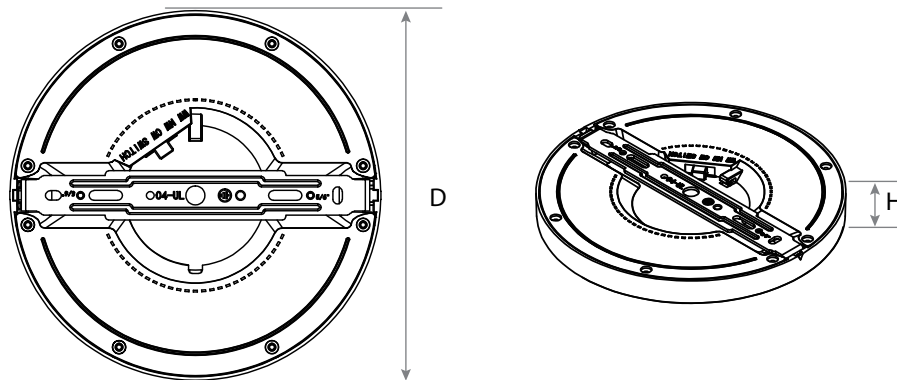
#### Warranty

- \_\_\_\_\_ 5-year limited warranty in commercial use from the date of purchase
- \_\_\_\_\_ Operating temperature range between -20°C and +40°C

#### Applications

Residential / Commercial, Schools, Retirement Homes, University, Supermarkets, Shops, Hotels, Conference Rooms, Office Lighting, Show Room, Corridor, Kitchens etc.

#### Dimensional drawing



	M.O.D	M.O.H
HS/4	5 1/2"	0.61"
HS/6	6 1/2"	0.59"
HS/8	8 1/2"	0.59"
HS/11	11 1/2"	0.61"



# LED Discus


## RGD-HS

### Ordering Information Example: RGD-HS/4/8W/MULTI-K/WH/D


Family Name	Fixture Type	Size	Wattage	CCT (Kelvin)	Finish Color	D	Options
RGD (Rigid)	HS (Surface Discus)	4 (4") 6 (6") 8 (8") 11 (11")	6W 12W 18W 24W	MULTI-K (Multiple CCT, 30K/40K/50K Switchable) 30K (3000K, 11")	WH (White)	D (Dimmable)	Matt Black Trim Ring Satin Nickel Trim Ring (Sold separately)

### Product Specification

Ordering Code	ES	Model Number	Wattage (W)	Input Voltage (V)	Hour Rating	Initial Lumens (lumen)	CCT (K) Adjustable	CRI	Beam Angle	Damp Location	Dimmable	Dimension DxH (inch)	Case QTY.
3662144	Yes	RGD-HS/4/6W/MULTI-K/WH/D	6	120	50,000	360	30/40/50	≥80	120°	Yes	Y	5 1/2" x 0.61"	60
3662145	Yes	RGD-HS/6/12W/MULTI-K/WH/D	12	120	50,000	840	30/40/50	≥80	120°	Yes	Y	6 1/2" x 0.59"	40
3663127	Yes	RGD-HS/8/18W/MULTI-K/WH/D	18	120	50,000	1260	30/40/50	≥80	120°	Yes	Y	8 1/2" x 0.59"	20
3664134	Yes	RGD-HS/11/24W/MULTI-K/WH/D	24	120	50,000	1920	30/40/50	≥80	120°	Yes	Y	11 1/2" x 0.61"	10
3664151	Yes	RGD-HS/11/24W/30K/WH/D	24	120	50,000	1920	3000	≥80	120°	Yes	Y	11 1/2" x 0.61"	10
3660112	-	RGD-HS/4/SN	Satin Nickel Metal Trim for HS/4, (Dia. 141.0mm, Height 15.6mm)										
3660113	-	RGD-HS/4/MB	Matt Black Metal Trim for HS/4, (Dia. 141.0mm, Height 15.6mm)										
3660114	-	RGD-HS/6/SN	Satin Nickel Metal Trim for HS/6, (Dia. 166.2mm, Height 15.6mm)										
3660115	-	RGD-HS/6/MB	Matt Black Metal Trim for HS/6, (Dia. 166.2mm, Height 15.6mm)										
3660116	-	RGD-HS/8/SN	Satin Nickel Metal Trim for HS/8, (Dia. 218.8mm, Height 15.6mm)										
3660117	-	RGD-HS/8/MB	Matt Black Metal Trim for HS/8, (Dia. 218.8mm, Height 15.6mm)										
3660118	-	RGD-HS/11/SN	Satin Nickel Metal Trim for HS/11, (Dia. 293.6mm, Height 15.6mm)										
3660119	-	RGD-HS/11/MB	Matt Black Metal Trim for HS/11, (Dia. 293.6mm, Height 15.6mm)										
3660120	-	RGD-HS/4/TC/KIT	Tension Clip For HS/4, Includes 1pc E26 Adaptor, 2 clips to Fit 4" Housing										
3660121	-	RGD-HS/5/6/TC/KIT	Tension Clip For HS/6/8/11, Includes 1pc E26 Adaptor, 2 clips Fit 5/6" Housing										



RGD-HS/4/TC/KIT



RGD-HS/5/6/TC/KIT



# LED FIXTURE

## RIGID Series

# LED 3" DOWNLIGHT RGD-SMT

3" Dimmable LED Downlight



### Features & Benefits

cETL rated, Type IC rated

6W 480lm, 8W 700lm, 12W 1000lm and 13W 820lm selection

3000K (6W, 8W & 12W), DIM-to-Warm 2000K-3000K(13W)

120V Input, PF>0.9

Brush Nickel, White or Black trim

TRIAC/ ELV (10-100%) dimming, beam angle 38°

High CRI (82+), CRI (95+) for 13W

L70@ 50000 Hrs

Damp location approved

### Warranty

5-year limited warranty in commercial use from the date of purchase

Operating temperature range between -20°C and +40°C

### Applications

Residential / Commercial, Schools, Retirement Homes, University, Supermarkets, Shops, Hotels, Conference Rooms, Office Lighting, Show Room, Corridor, Kitchens etc.

### Surface Trims

RGD-SMT/531 IP20



RGD-SMT/531 IP65



RGD-SMT/532 IP20



RGD-SMT/532 IP65



### Deep Trims

RGD-SMT/591



RGD-SMT/592



RGD-SMT/593



RGD-SMT/594





# LED 3" DOWNLIGHT

## RGD-SMT

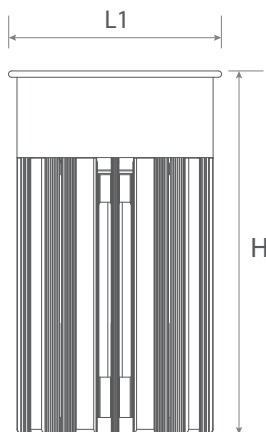
### Ordering Information Example: RGD-SMT/3/6W/30/120/38/D

Family Name	Fixture Type	Size	Wattage	CCT (Kelvin)	Voltage (V)	Beam Angle	Dimmable	Trim
RGD (Rigid)	SMT (Module & Driver, Down Light)	3 (3")	6W 8W 12W 13W	30 (3000K) 13W, (2000K-3000K Dim to Warm)	120 (120V)	38 (38°)	D (TRIAC/ ELV (10-100%)) DTW (2000K-3000K Dim to Warm)	Refer to Chart

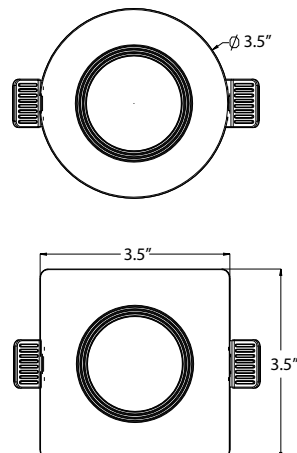
### Product Specification

Ordering Code	Model Number	Description	Wattage (W)	Voltage (V)	Hour Rating	Initial Lumens (lumen)	CCT (K)	CRI	Damp Location	Case QTY.	
3662140	RGD-SMT/3/6W/30/120/38/D	3" Recess Module & Driver, Down Light, 6W, 30K, Dimmable, FT4 Cable	6	120	50,000	480	3000	82	Yes	12	
3662141	RGD-SMT/3/8W/30/120/38/D	3" Recess Module & Driver, Down Light, 8W, 30K, Dimmable, FT4 Cable	8	120	50,000	700	3000	82	Yes	12	
3662142	RGD-SMT/3/12W/30/120/38/D	3" Recess Module & Driver, Down Light, 12W, 30K, Dimmable, FT4 Cable	12	120	50,000	1000	3000	82	Yes	12	
3662143	RGD-SMT/3/13W/30/120/38/DTW	3" Recess Module & Driver, Down Light, 13W, 30K, Dim to Warm, FT4 Cable	13	120	50,000	820	2000-3000	95	Yes	12	
3660098	RGD-SMT/531/BN	3" Dia. Brushed Nickel, Adjustable Trim, Damp Location, IP20, IC Rated	Surface trims (3.2" cut-out) 								
3660099	RGD-SMT/531/WH	3" Dia. White, Adjustable Trim, Damp Location, IP20, IC Rated									
3660127	RGD-SMT/531/BK	3" Dia. Black, Adjustable Trim, Damp Location, IP20, IC Rated									
3660100	RGD-SMT/531/WP/BN	3" Dia. Brushed Nickel, Fixed Trim, Wet Location, IP65, IC Rated									
3660101	RGD-SMT/531/WP/WH	3" Dia. White, Fixed Trim, Wet Location, IP65									
3660128	RGD-SMT/531/WP/BK	3" Dia. Black, Fixed Trim, Wet Location, IP65									
3660102	RGD-SMT/532/BN	3" SQ. Brushed Nickel, Adjustable Trim, Damp Location, IP20, IC Rated									
3660103	RGD-SMT/532/WH	3" SQ. White, Adjustable Trim, Damp Location, IP20, IC Rated									
3660129	RGD-SMT/532/BK	3" SQ. Black, Adjustable Trim, Damp Location, IP20, IC Rated									
3660104	RGD-SMT/532/WP/BN	3" SQ. Brushed Nickel, Fixed Trim, Wet Location, IP65, IC Rated									
3660105	RGD-SMT/532/WP/WH	3" SQ. White, Fixed Trim, Wet Location, IP65, IC Rated	Deep trims (3.2" cut-out) 								
3660130	RGD-SMT/532/WP/BK	3" SQ. Black, Fixed Trim, Wet Location, IP65, IC Rated									
3660106	RGD-SMT/591/WH	3" Dia. White, Adjustable Regressed Open Trim, Damp Location, IP20, IC Rated									
3660107	RGD-SMT/592/WH	3" Dia. White, Adjustable Regressed Pinhole Trim, Damp Location, IP20, IC Rated									
3660108	RGD-SMT/593/WH	3" Dia. White, Adjustable Regressed Wallwash Trim, Damp Location, IP20, IC Rated									
3660109	RGD-SMT/594/WH	3" Dia. White, Adjustable Regressed Slot Hole Trim, Damp Location, IP20, IC Rated									

### Module & Trim Dimensional Drawing



	M.O.L1	H
6W	1.97"	1.98"
8W	1.97"	1.98"
12W	1.97"	3.36"
13W	1.97"	3.36"





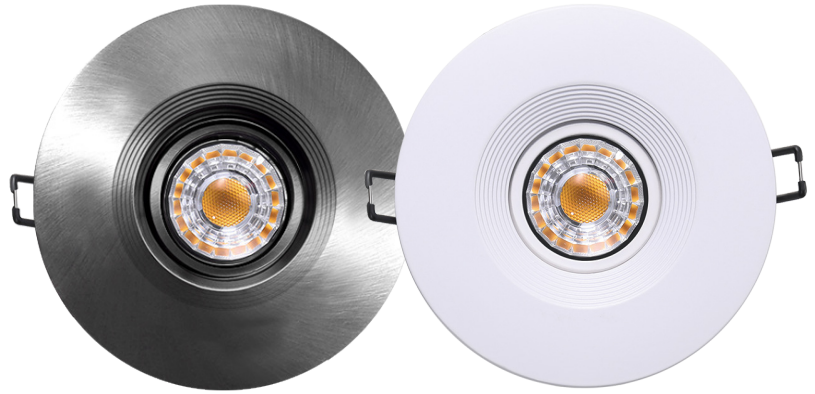
# LED FIXTURE

## RIGID Series

# LED 4" GIMBAL

## RGD-CHY/4

4" gimbal light, CCT switchable



Packaging Inside



### Features & Benefits

3 Colour temperature switchable (3000K, 4000K, 5000K)

Available in Brush Nickel, Black and White

8W, 700lm

120V Input, PF>0.94

Adjustable with 360° rotation

Beam angle 40°

TRIAC dimmable

High CRI (80+)

Type IC rated, FT4 cable

L70@ 39000hrs

Damp location approved

Default with 4" trim, 3" trim sold separately

### Warranty

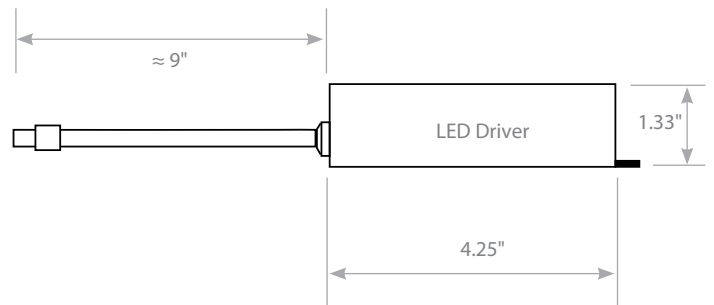
5-year limited warranty in commercial use from the date of purchase

Operating temperature range between -20°C and +40°C

### Applications

Residential / Commercial, Schools, Retirement Homes, University, Supermarkets, Shops, Hotels, Conference Rooms, Office Lighting, Show Room, Corridor, Kitchens etc.

### Dimensional drawing



	H	Cut Out Size
<b>3" Trim</b>	1.8"	2.6"
<b>4" Trim</b>	2.25"	2.6"



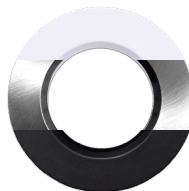
# LED 4" GIMBAL

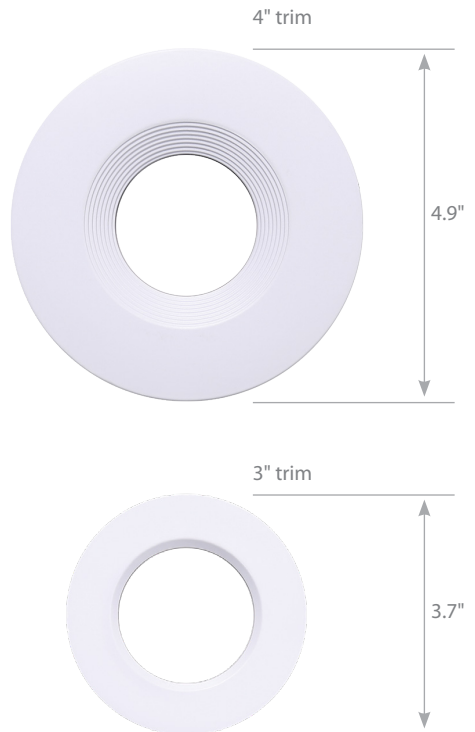
## RGD-CHY/4

### Ordering Information Example: RGD-CHY/4/8W/MULTI-K/WH/D

Family Name	Fixture Type	Trim Size	Wattage	CCT (Kelvin)	Dimmable
RGD (Rigid)	CHY (Module & Driver, Gimbal Light)	4 (4")	8W	MULTI-K (3000K, 4000K, 5000K Switchable)	D (TRIAC Dimmable)

### Product Specification

Ordering Code	Model Number	Description	Wattage (W)	Voltage (V)	Hour Rating	Lumens (lm)	CCT (K)	CRI	Damp Location	Case QTY.
3662146	RGD-CHY/4/8W/MULTI-K/WH/D	RIGID 4" Dia. White, Gimbal Module & Trim, Selectable CCT, Triac Dimmable, 120V, 40 Deg. FT4 Cable	8	120	39,000	700	30/40/50	≥80	Yes	40
3662147	RGD-CHY/4/8W/MULTI-K/BN/D	RIGID 4" Dia. Brushed Nickel, Gimbal Module & Trim, Selectable CCT, Triac Dimmable, 120V, 40 Deg. FT4 Cable	8	120	39,000	700	30/40/50	≥80	Yes	40
3662148	RGD-CHY/4/8W/MULTI-K/BLK/D	RIGID 4" Dia. Black, Gimbal Module & Trim, Selectable CCT, Triac Dimmable, 120V, 40 Deg. FT4 Cable	8	120	39,000	700	30/40/50	≥80	Yes	40
3660124	RGD-CHY/3/TRIM/WH	RIGID 3" Dia. White Trim								
3660125	RGD-CHY/3/TRIM/BN	RIGID 3" Dia. Brushed Nickel Trim								
3660126	RGD-CHY/3/TRIM/BLK	RIGID 3" Dia. Black Trim								





**LED FIXTURE**  
**RIGID Series**



**LED Slim Panel**  
**RGD-SP**

Slim design switchable CCT, now 120V & 347V



**Features & Benefits**

- \_\_\_\_\_ Type IC Rated – approved for direct contact with insulation
- \_\_\_\_\_ Isolated internal driver in junction box – fast and easy to install
- \_\_\_\_\_ Switchable CCT (30K/40K/50K)
- \_\_\_\_\_ Range of sizes (4", 6", 8" available)
- \_\_\_\_\_ Finish Color White (Interchangeable trim ring for black or brushed nickel finish)
- \_\_\_\_\_ Wet location rated
- \_\_\_\_\_ J-Box c/w 3x3 wire quick connectors, allowing for easy through wiring

- \_\_\_\_\_ Energy Star approved
- \_\_\_\_\_ L70 @ 50,000 Hrs
- \_\_\_\_\_ 120V - TRIAC dimmable down to 10%, FT4 cable
- \_\_\_\_\_ 347V - Non dimmable, FT6 cable
- \_\_\_\_\_ High CRI (80+)
- \_\_\_\_\_ 120V / 347V LED Driver, PF>0.9
- \_\_\_\_\_ PC lens aluminium body
- \_\_\_\_\_ Beam angle 110°

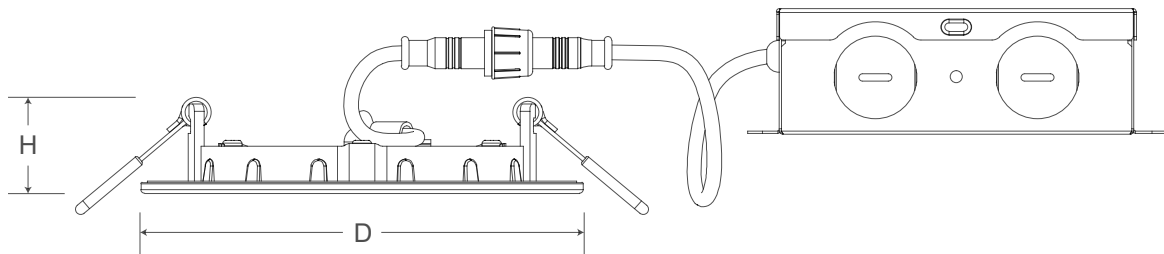
**Warranty**

- \_\_\_\_\_ 5-year limited warranty in commercial use from the date of purchase
- \_\_\_\_\_ Operating temperature range between -20°C and +40°C

**Applications**

Residential / Commercial, Schools, Retirement Homes, University, Supermarkets, Shops, Hotels, Conference Rooms, Office Lighting, Show Room, Corridor, Kitchens etc.

**Dimensional drawing**



	M.O.D	Cut-Out	H
<b>SP/4</b>	4.92"	4"	0.96"
<b>SP/6</b>	6.77"	6.1"	0.96"
<b>SP/8</b>	9.13"	8.2"	0.96"





# LED Slim Panel

## RGD-SP

### Ordering Information Example: RGD-SP/4/8W/MULTI-K/WH/D

Family Name	Fixture Type	Size	Wattage	CCT (Kelvin)	Voltage	Finish Color	D	Options
RGD (Rigid)	SP (Slim Panel)	4 (4") 6 (6") 8 (8")	8W 10.5W 24.5W	MULTI-K (Multiple CCT, 30K/40K/50K Switchable)	Blank (120V) 347V	WH (White)	D (Dimmable)	Black Trim Ring Brush Nickel Trim Ring (Sell seperately)

### Product Specification

Ordering Code	ES	Model Number	Wattage (W)	Input Voltage (V)	Hour Rating	Initial Lumens (lumen)	CCT (K) Adjustable	CRI	Beam Angle	Wet Location	Dimmable	Dimension D×H (inch)	Case QTY.
3662134	Yes	RGD-SP/4/8W/MULTI-K/WH/D	8	120	50,000	650	30/40/50	>80	110°	Yes	Y	4.92" × 0.96"	6
3662221	Yes	RGD-SP/4/8W/MULTI-K/347V/WH	8	347	50,000	650	30/40/50	>80	110°	Yes	N	4.92" × 0.96"	6
3662135	Yes	RGD-SP/6/10.5W/MULTI-K/WH/D	10.5	120	50,000	1000	30/40/50	>80	110°	Yes	Y	6.77" × 0.96"	6
3662222	Yes	RGD-SP/6/10.5W/MULTI-K/347V/WH	10.5	347	50,000	1000	30/40/50	>80	110°	Yes	N	6.77" × 0.96"	6
3664130	Yes	RGD-SP/8/24.5W/MULTI-K/WH/D	24.5	120	50,000	2100	30/40/50	>80	110°	Yes	Y	9.13" × 0.96"	6
3664212	Yes	RGD-SP/8/24.5W/MULTI-K/347V/WH	24.5	347	50,000	2100	30/40/50	>80	110°	Yes	N	9.13" × 0.96"	6
3660094		RGD-SP/4/CCT/BK	RIGID 4" Slim Panel, Black Trim Ring for 3-CCT Selectable									4.92"	
3660095		RGD-SP/4/CCT/BN	RIGID 4" Slim Panel, Brush Nickel Trim Ring for 3-CCT Selectable									4.92"	
3662120		RGD-SP/6/BK	RIGID 6" Slim Panel, Black Trim Ring for 3-CCT Selectable									6.77"	
3662121		RGD-SP/6/BN	RIGID 6" Slim Panel, Brush Nickel Trim Ring for 3-CCT Selectable									6.77"	
3664113		RGD-SP/8/BK	RIGID 8" Slim Panel, Black Trim Ring for 3-CCT Selectable									9.13"	
3664115		RGD-SP/8/BN	RIGID 8" Slim Panel, Brush Nickel Trim Ring for 3-CCT Selectable									9.13"	



# LED FIXTURE

## RIGID Series



# LED Commercial Downlight RGD-CDF

Designed to replace traditional CFL fixtures.  
Wide range of lumen packages and aperture sizes for every application.  
No voltage guess work, 120-347V Auto-Sensing Driver.  
Multiple Wattage and Multiple Kelvin Selection



### Features & Benefits

Energy Star approved, cUL listed	120V-347V Auto-Sensing Driver
Switchable CCT (30K/35K/40K), Switchable Wattage	0-10V Dimming
Range of sizes (4", 6", 8", 10" available)	Beam angle: 4" 95°, 6"-8"-10" 106°+
Die-cast aluminum body material, White Finish	High CRI (90+)
L70 @ 50,000 HRS	Damp location rated

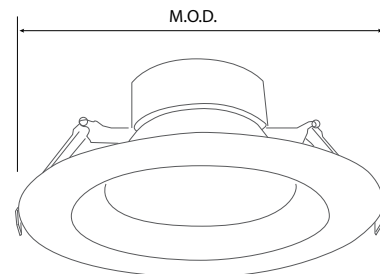
### Applications

Residential / Commercial, Schools, Retirement Homes, University, Supermarkets, Shops, Hotels, Conference Rooms, Office Lighting, Show Room, Corridor, Kitchens, vestibules, wall niche and etc.

### Warranty

5-year limited warranty in commercial use from the date of purchase  
Operating temperature range between -20°C and +40°C

### Dimensional drawing



### Product Specification

Ordering Code	Model Number	Wattage (W)	Input Voltage (V)	Hour Rating	Initial Delivered Lumens (lumen)	CCT (K)	CRI	Damp Location	M.O.D (inch)	Case QTY.
3662223	RGD-CDF/4/12W/MK9/120-347V/WH/D	12	120-347V	50,000	930	30-35-40	≥90	Yes	5.91"	6
3662224	RGD-CDF/6/MW/MK9/120-347V/WH/D	10-12-17	120-347V	50,000	800-1000-1400	30-35-40	≥90	Yes	8.29"	6
3662225	RGD-CDF/8/MW/MK9/120-347V/WH/D	14-17-20	120-347V	50,000	1200-1450-1750	30-35-40	≥90	Yes	10.26"	6
3662226	RGD-CDF/10/MW/MK9/120-347V/WH/D	30-35-40	120-347V	50,000	2300-2700-3150	30-35-40	≥90	Yes	11.28"	6

### Ordering Information Example: RGD-CDF/10/MW/MK9/120-347V/WH/D

Family Name	Fixture Type	Size	Wattage	CCT (Kelvin)	Voltage	Finish	Dimmable
RGD (Rigid)	CDF (Commercial Downlight)	4 (4") 6 (6") 8 (8") 10 (10")	12W MW (Multi Wattage)	MK9 (Multi CCT)	120-347V	WH (White)	D (Dimmable)

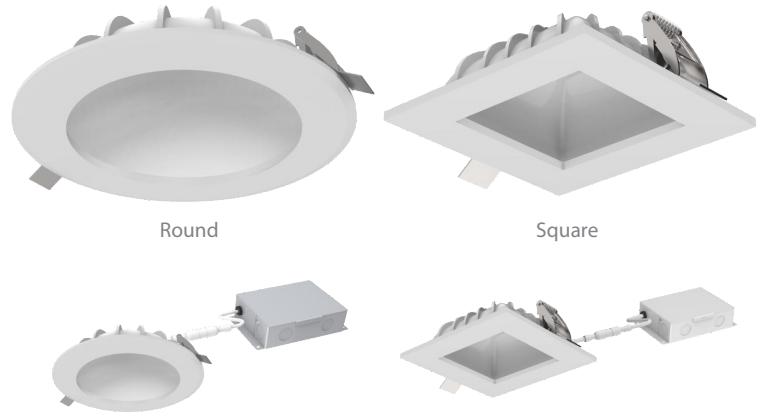


# LED FIXTURE

## RIGID Series

### LED Ceiling Dome Light RGD-CD

LED 4" & 6" ceiling dome light, round / square shape



#### Features & Benefits

- \_\_\_\_\_ cETL listed
- \_\_\_\_\_ Special design to reduce glare for a better quality of light
- \_\_\_\_\_ Gentle light comes out after being redirected off of the reflector lighting without a visible light source
- \_\_\_\_\_ Die-cast aluminum body material with good heat dissipation
- \_\_\_\_\_ White, Black Finish available

- \_\_\_\_\_ L70 @ 50,000 HRS
- \_\_\_\_\_ 120V
- \_\_\_\_\_ Triac dimming
- \_\_\_\_\_ High CRI (80+)
- \_\_\_\_\_ Damp location rated (with feed through wiring)
- \_\_\_\_\_ Independent drive junction box, with quick connects FT4 cable

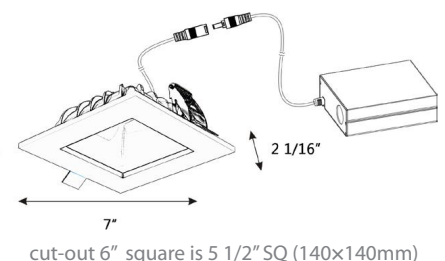
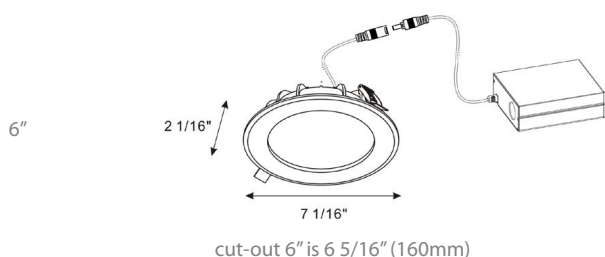
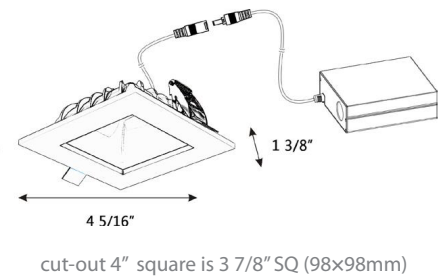
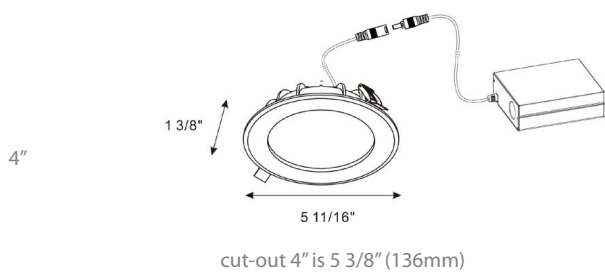
#### Warranty

- \_\_\_\_\_ 3-year limited warranty in commercial use from the date of purchase
- \_\_\_\_\_ Operating temperature range between -20°C and +40°C

#### Applications

Residential / Commercial, Schools, Retirement Homes, University, Supermarkets, Shops, Hotels, Conference Rooms, Office Lighting, Show Room, Corridor, Kitchens, vestibules, wall niche and etc.

#### Dimensional drawing





# LED Ceiling Dome Light

## RGD-CD

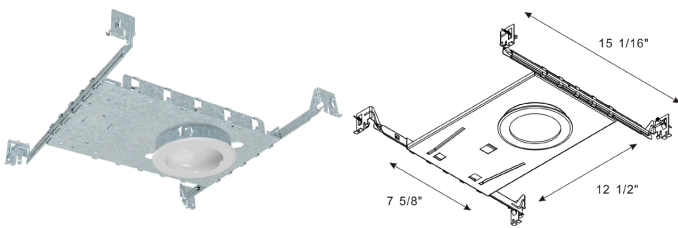
Ordering Information Example: RGD-CD/4/10W/30/D/WH

Family Name	Fixture Type	Size	Shape	Wattage	CCT	Dimmable	Body Finish	Options
RGD (Rigid)	CD (Ceiling Dome)	4 (4") 6 (6")	Blank (Round) S (Square)	10W 14W	30 (3000K)	D (Dimmable)	WH (White) BK (Black)	CD-NC4R CD-NC4S CD-NC6R CD-NC6S

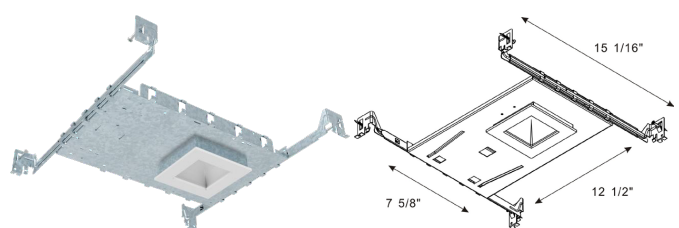
### Product Specification

Ordering Code	Model Number	Wattage (W)	Input Voltage (V)	Hour Rating	Initial Delivered Lumens (lumen)	CCT (K)	CRI	Damp Location*	M.O.D (inch)	M.O.H (inch)
3662128	RGD-CD/4/10W/30/D/WH	10	120V	50,000	650	3000K	>80	Yes	5 11/16"	1 3/8"
3662129	RGD-CD/6/14W/30/D/WH	14	120V	50,000	850	3000K	>80	Yes	7 1/16"	2 1/16"
3662130	RGD-CD/4/S/10W/30/D/WH	10	120V	50,000	650	3000K	>80	Yes	4 5/16"	1 3/8"
3662131	RGD-CD/6/S/14W/30/D/WH	14	120V	50,000	850	3000K	>80	Yes	7"	2 1/16"
3660064	CD-NC4R	Ceiling dome light, new construction mounting plate for round 4"								
3660065	CD-NC6R	Ceiling dome light, new construction mounting plate for round 6"								
3660066	CD-NC4S	Ceiling dome light, new construction mounting plate for square 4"								
3660067	CD-NC6S	Ceiling dome light, new construction mounting plate for square 6"								

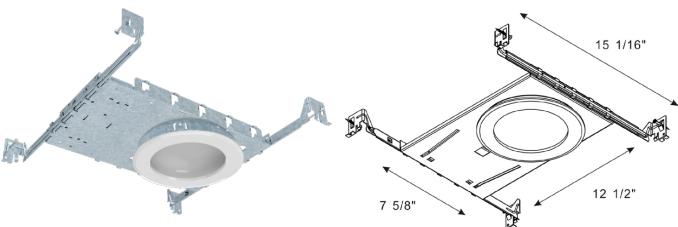
\* Damp location rated (with feed through)



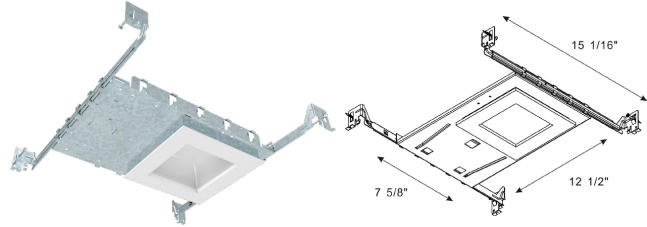
CD-NC4R



CD-NC4S



CD-NC6R



CD-NC6S



# LED FIXTURE

## RIGID Series

# LED Wall Sconce

## RGD-WS

2 Ring LED Wall Sconce



### Features & Benefits

Energy Star and cETL rated	TRIAC (10-100%) dimmable
Aluminium frame, great lighting distribution without any shadow	High CRI (80+)
White PMMA lens	L70@ 50,000 Hrs
15W 1,100lm, 120V 60 Hz Input, PF>0.9	Damp location approved, meets ADA requirements

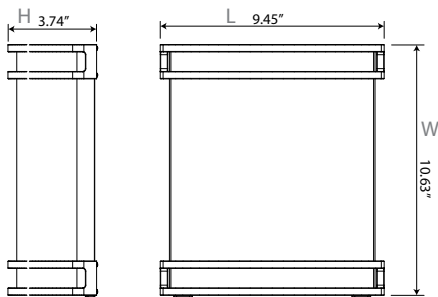
### Warranty

5-year limited warranty in commercial use from the date of purchase  
 Operating temperature range between -20°C and +40°C

### Applications

Ideal replacement for traditional incandescent wall mount fixture.  
 Restaurant, Community, Office, Retail, Hospitality and etc.

### Dimensional drawing



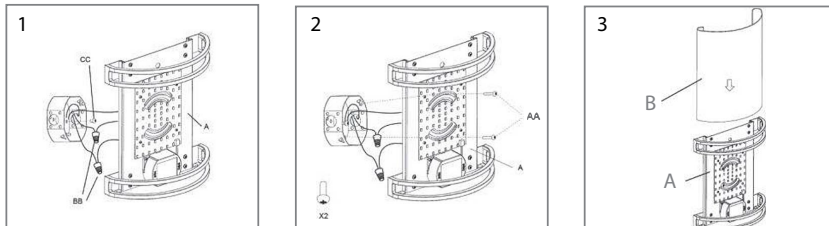
### Ordering Information Example: RGD-WS/15W/30/D/2R

Family Name	Fixture Type	Wattage	CCT (Kelvin)	Dimmable	Type
RGD (Rigid)	WS (Wall Sconce)	15W	30 (3000K) 40 (4000K)	D (Dimmable)	2R (2 Ring)

### Product Specification

Ordering Code	Energy Star	Model Number	Description	Wattage (W)	Input Voltage (V)	Hour Rating	Initial Delivered Lumens (lumen)	CCT (K)	CRI	Damp Location	M.O.D. LxWxH (inch)
3663125	Y	RGD-WS/15W/30/D/2R	2 Ring LED Wall Sconce 15W 3000K Dimmable	15	120	50,000	1,100	3000	80+	Y	9.45x10.63x3.74
3663126	Y	RGD-WS/15W/40/D/2R	2 Ring LED Wall Sconce 15W 4000K Dimmable	15	120	50,000	1,100	4000	80+	Y	9.45x10.63x3.74

### Installation



1. Connect the fixture wires accordingly.
2. Put the long screws through the keyholes, and thread into the J-box.
3. Align the tabs on fixture pan(A) with the channels on lens(B), then insert lens(B) into fixture pan(A).



# LED FIXTURE

## RIGID Series



# LED Vanity

## RGD-VN

2 Ring LED Vanity Lighting



### Features & Benefits

Energy Star and cUL rated

Alumimium frame, great lighting distribution without any shadow

White PMMA lens

14W 1,450lm, 120V 60 Hz Input, PF>0.9

TRIAC (10-100%)dimmable

High CRI (80+), Beam angle 120°

L70@ 50,000 Hrs

Damp location approved

### Warranty

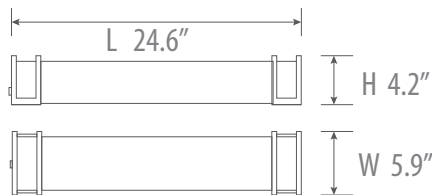
5-year limited warranty in commercial use from the date of purchase

Operating temperature range between -20°C and +45°C

### Applications

Ideal replacement for traditional incandescent wall mount fixture.  
Restaurant, Community, Office, Retail, Hospitality and etc.

### Dimensional drawing



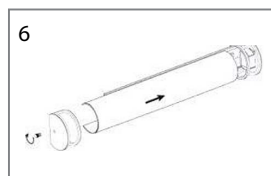
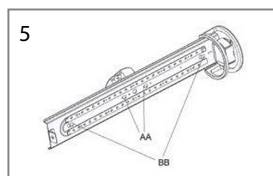
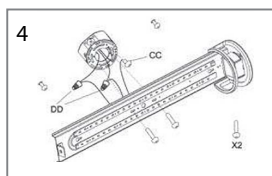
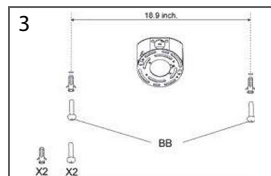
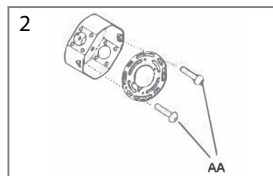
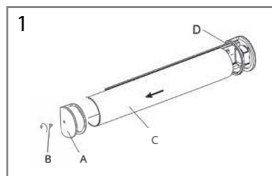
### Ordering Information Example: RGD-VN/2F/14W/30/D/2R

Family Name	Fixture Type	Length	Wattage	CCT (Kelvin)	Dimmable	Type
RGD (Rigid)	VN (Vanity)	2F (2 Foot)	14W	30 (3000K) 40 (4000K)	D (Dimmable)	2R (2 Ring)

### Product Specification

Energy Star	Model Number	Description	Wattage (W)	Input Voltage (V)	Hour Rating	Initial Delivered Lumens (lumen)	CCT (K)	CRI	Damp Location	M.O.D. LxWxH (inch)
Y	RGD-VN/2F/14W/30/D/2R	LED Vanity 2' 14W 3000K Dimmable 2Ring	14	120	50,000	1,450	3000	80+	Y	24.6 × 5.9 × 4.2
Y	RGD-VN/2F/14W/40/D/2R	LED Vanity 2' 14W 4000K Dimmable 2Ring	14	120	50,000	1,450	4000	80+	Y	24.6 × 5.9 × 4.2

### Installation



1. Remove the ring and lens from the housing.
2. Insert long screws(AA) into aligned holes,and tighten the two long screws.
3. Mark the keyhole slots and drill the two holes, then insert long screws into anchors.
4. Connect the fixture wires accordingly.
5. Put the long screws through the keyholes, and thread into the J-box.
6. Secure the lens and top ring up to the housing.



Round Frame

Square Frame

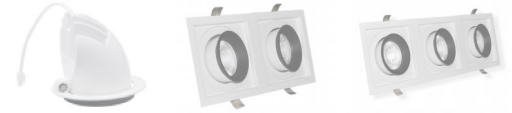
# LED FIXTURE

## RIGID series



# LED MULTI SPOTLIGHT

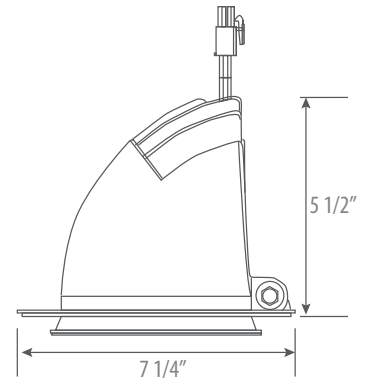
Design for accent lighting, general lighting and vertical lighting



## RGD-LAD



### Dimensional drawing



### Features & Benefits

Anti-glare design, square frame optional	Up to 100lm/W
Beam angle: 24°, 38°, 60° and 80°x45°	350° gimbal and 50° adjustable
Ultra low glare light with shielding angle 15°	High power factor over 0.95
High CRI 82+	Type Non IC, for commercial new construction building

### Warranty

5-year limited warranty in commercial use from the date of purchase
Operating temperature range between -20°C and +40°C
Energy Star, ETL listed

### Applications

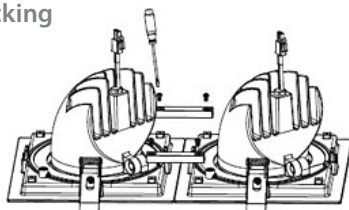
Residential, Retail, Art Gallery, Museum, Automotive and Parking, Hospitality, Offices and Banks, etc.

### Product Specification

Energy Star	Model Number	Size*	Wattage (W)	Input Voltage (V)	CCT Optial	Beam Angle	Power Factor	Dimmable	Lumen Flux	CRI Optial
Yes	RGD-LAD/6/21W/120/30K/38/RD/D/WH	6" DIA	21	120	3000K	24°, 38°, 60°, 80°x45°	>0.95	Triac/ELV(option)	2,050lm	CRI82
Yes	RGD-LAD/6/43W/120/30K/60/RD/D/WH	6" DIA	43	120	3000K	24°, 38°, 60°, 80°x45°	>0.95	1-10V Dim	4,000lm	CRI82
	RGD-LAD/SQ	Square frame 6.88" x 6.88", square frame sold separately (field install)								
	RGD-LAD/JOINER	1 set per square frame								

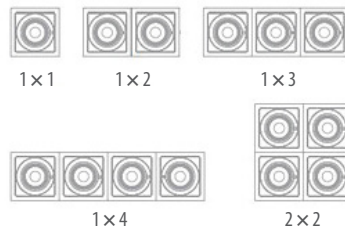
\*Cut out 6 11/16"

### Docking



Make sure the frame are at the same direction.  
Screw the docking blocks to fix the frame

### Finished



Round Spotlight

### Ordering Information

Example: RGD-LAD/6/22W/120/30K/38/RD/D/WH

FAMILY NAME	FIXTURE TYPE	SIZE	WATTAGE	INPUT VOLTAGE (V)	CCT	BEAM ANGLE	FRAME	DIMMABLE	COLOR FINISH
RGD (Rigid)	LAD (Linkable, Adjustabl Downlight)	6 (6")	21W 43W**	120	30K	38	RD (Round) SQ (Square)	D	WH (White)

\*\*43W 1-10V Dim, non IC





**LED FIXTURE**

**RIGID Series**

# LED Downlight With J-Box RGD-DLJ

LED downlight with integral junction box for easy and fast installation



## Features & Benefits

cETL listed, Energy Star

Size 6", 8" available

6" CRI ≥92, 97° Beam spread  
8" CRI ≥81, 94° Beam spread

120V input voltage

Dimmable

L70 @ 50,000 Hrs

6" Wet location approved  
8" Damp location approved

## Warranty

5-year limited warranty in commercial use from the date of purchase

Operating temperature range between -20°C and +40°C

## Product Specification

Ordering Code	Energy Star	Model Number	Description	Wattage (W)	Input Voltage (V)	Hour Rating	Beam Angle	Initial Delivered Lumens (lumen)	CCT (K)	CRI	Wet Location	Damp Location	M.O.D. (inch)	Case QTY.
3662106	Y	RGD-DLJ/6/15W/30/D	Downlight with J-Box 6" 15W 30K Dimmable	15	120	50,000	97°	1000	3000	92	Y	-	7.3	12
3662107	Y	RGD-DLJ/6/15W/35/D	Downlight with J-Box 6" 15W 35K Dimmable	15	120	50,000	97°	1000	3500	92	Y	-	7.3	12
3662108	Y	RGD-DLJ/6/15W/40/D	Downlight with J-Box 6" 15W 40K Dimmable	15	120	50,000	97°	1050	4000	94	Y	-	7.3	12
3665117	Y	RGD-DLJ/8/35W/30/D	Downlight with J-Box 8" 35W 30K Dimmable	35	120	50,000	94°	2600	3000	81	-	Y	9.1	6
3665118	Y	RGD-DLJ/8/35W/35/D	Downlight with J-Box 8" 35W 35K Dimmable	35	120	50,000	94°	2600	3500	81	-	Y	9.1	6
3665119	Y	RGD-DLJ/8/35W/40/D	Downlight with J-Box 8" 35W 40K Dimmable	35	120	50,000	94°	2700	4000	81	-	Y	9.1	6

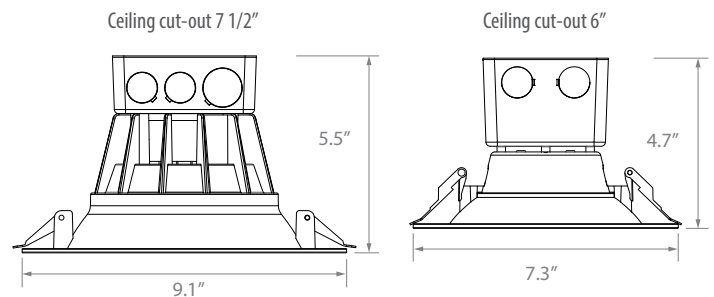
## Applications

Residential / Institution Lighting, School, Colleges, University and Hospitals, Supermarkets, Shops, Hotels, Conference Rooms, Office Lighting, Show Room, Corridor, Kitchen Room and etc.

## Ordering Information Example: RGD-DLJ/6/15W/30/D

Family Name	Fixture Type	Size	Wattage	CCT (Kelvin)	Dimmable
RGD (Rigid)	DLJ (Downlight with J-Box)	6 (6") 8 (8")	35W 15W	40 (4000K) 35 (3500K) 30 (3000K)	D(Dimmable)

## Dimensional drawing





# LED FIXTURE

## RIGID Series

### LED Flush Mount (2 Ring) RGD-FM/----/2R

LED double ring designed, deliver maximum light levels, ideal for low ceilings



sensor built-in



#### Features & Benefits

CUL listed, Energy Star

Size 14", 18" available

CRI >80, 120° Beam spread

120V input voltage, PF >0.9

L70 @ 50,000 Hrs

TRIAC dimmable down to 10%

Microwave sensor optional, 100% to preset 30% dim

Brushed Oxidation finish, PMMA Opal lens

Damp location approved

Non-IC rated

Multi-K 14"&18"selectable CCT 3000/4000/5000K

#### Warranty

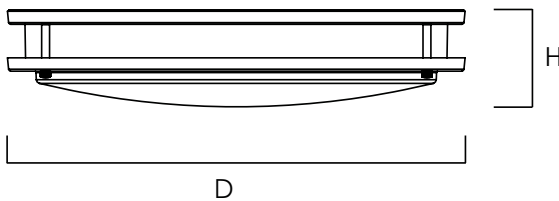
5-year limited warranty in commercial use from the date of purchase

Operating temperature range between -20°C and +40°C

#### Applications

Bedrooms, living rooms, hallways, kitchens and etc

#### Dimensional drawing



	D	H
RGD-FM14	14"	3.8"
RGD-FM14 (with MC sensor)	14"	3.8"
RGD-FM18	18"	3.8"



# LED Flush Mount (2 Ring)

## RGD-FM/----/2R

### Ordering Information Example: RGD-FM14/21W/30/D/2R

Family Name	Fixture Type	Size	Wattage	CCT (Kelvin)	Dimmable Option	Body
RGD (Rigid)	FM (Flush Mount, 2 Ring)	14 (14") 18 (18")*	21W/22W 28W/32W	40 (4000K) 30 (3000K) Multi-K (3000/4000/5000K)	D (Dimmable) S (Microwave Sensor)	2R (Double Ring)

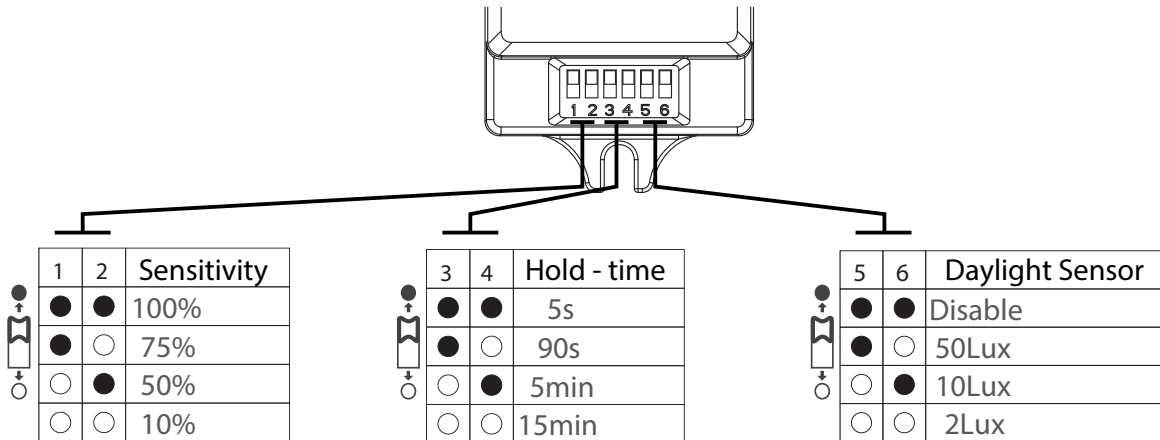
\* Sensor not available

### Product Specification

Ordering Code	Energy Star	Model Number	Description	Wattage (W)	Input Voltage (V)	Hour Rating	Initial Delivered Lumens (lumen)	CCT (K)	CRI	Damp Location	M.O.D. (inch)	Dimmable	Option Sensor	Case QTY.
3674100	Y	RGD-FM14/22W/MULTI-K/D/2R	LED 14" 22W 3000/4000/5000K 2 Ring	22	120	50,000	1600	3000/4000/5000	80	Y	14	Y	-	6
3664129	Y	RGD-FM18/32W/MULTI-K/D/2R	LED 18" 32W 3000/4000/5000K 2 Ring	32	120	50,000	2000	3000/4000/5000	80	Y	18	Y	-	4
3684102	Y	RGD-FM14/21W/30/D/2R	LED 14" 21W 3000K 2 Ring	21	120	50,000	1500	3000	80	Y	14	Y	-	6
3684103	Y	RGD-FM14/21W/40/D/2R	LED 14" 21W 4000K 2 Ring	21	120	50,000	1500	4000	80	Y	14	Y	-	6
3664120	Y	RGD-FM14/21W/30/S/2R	LED 14" 21W 3000K 2 Ring, with sensor	21	120	50,000	1470	3000	80	Y	14	N	Y	6
3664121	Y	RGD-FM14/21W/40/S/2R	LED 14" 21W 4000K 2 Ring with sensor	21	120	50,000	1470	4000	80	Y	14	N	Y	6
3684104	Y	RGD-FM18/28W/30/D/2R	LED 18" 28W 3000K 2 Ring	28	120	50,000	2000	3000	80	Y	18	Y	-	4
3684105	Y	RGD-FM18/28W/40/D/2R	LED 18" 28W 4000K 2 Ring	28	120	50,000	2000	4000	80	Y	18	Y	-	4

### Sensor Adjustment

Default sensor setting: sensitivity **50%**, hold-time **90s**, daylight sensor **disable**.



Sensitivity is the level where motion is detected, a higher sensitivity detects motion easier.

Hold-time is the duration that the light will stay on after motion is detected before switching down to approximate 30% light output once motion is not present.

Daylight sensor will set the trigger point of the photocell to determine when the sensor will detect daylight and not operate the light unnecessarily.



# LED FIXTURE

## RIGID Series

# LED Flush Mount (PC) RGD-FM/----/PC

Traditional and eye-catching design, deliver maximum light levels, ideal for low ceilings



### Features & Benefits

CUL listed, Energy Star	TRIAC dimmable down to 10%
Size 13", 19" available	PMMA diffuser, white finish
CRI >80, 120° Beam spread	Damp location approved
120V input voltage	
L70 @ 50,000 Hrs	

### Warranty

5-year limited warranty in commercial use from the date of purchase  
Operating temperature range between -20°C and +40°C

### Product Specification

Ordering Code	Energy Star	Model Number	Description	Wattage (W)	Input Voltage (V)	Hour Rating	Initial Delivered Lumens (lumen)	CCT (K)	CRI	Damp Location	M.O.D. (inch)	Case QTY.
3663114	Y	RGD-FM13/18W/30/D/PC	LED Flush Mount 13" 18W 3000K PC	18	120	50,000	1300	3000	80	Y	13	6
3663115	Y	RGD-FM13/18W/40/D/PC	LED Flush Mount 13" 18W 4000K PC	18	120	50,000	1300	4000	80	Y	13	6
3664108	Y	RGD-FM19/32W/30/D/PC	LED Flush Mount 19" 32W 3000K PC	32	120	50,000	2300	3000	80	Y	19	4
3664109	Y	RGD-FM19/32W/40/D/PC	LED Flush Mount 19" 32W 4000K PC	32	120	50,000	2300	4000	80	Y	19	4

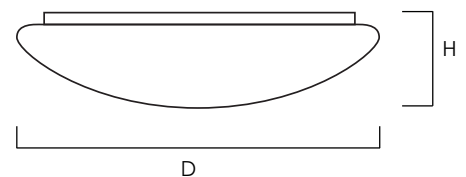
### Applications

Bedrooms, living rooms, hallways, kitchens and etc

### Ordering Information Example: RGD-FM13/18W/30/D/PC

Family Name	Fixture Type	Size	Wattage	CCT (Kelvin)	Dimmable	Body
RGD (Rigid)	FM (Flush Mount, PC)	13 (13") 19 (19")	18W 32W	40 (4000K) 30 (3000K)	D(Dimmable)	PC (Polycarbonate)

### Dimensional drawing



	D	H
RGD-FM13	13"	3.44"
RGD-FM19	19"	3.44"



# LED FIXTURE

## TL Series

# Steel Battery Unit

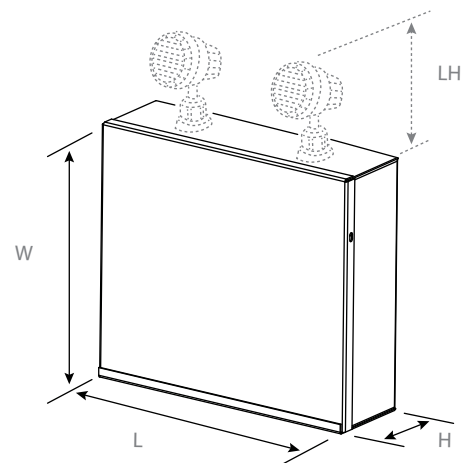
## TL-EMRM



### Features & Benefits

- 18 Gauge steel housing
- UL-94V-0 flame rating, fire-resistant
- Input Voltage: 120/277/347V
- Power consumption: 8W max.
- Output: 36W-95W max.
- With or without 2x2W heads, 12V / 6V sealed lead-acid battery
- Charging time: 24 hours
- Discharge time: 30 minutes
- Conversion time: <0.2second
- Damp location rated, IP Class: IP20, not intended for outdoor use
- 2-year limited warranty in commercial use from the date of purchase
- Operating temperature 10°C and +40°C

### Dimensional Drawing



### Ordering Information Example: TL-EMRM/90W/12VDC/0/120-347V

Family Name	Fixture Type	Models
TL (Turolight)	EMRM (Emergency Remote)	90W/12VDC/0/120-347V 90W/12VDC/2/120-347V 95W/12VDC/2/120-347V 36W/6VDC/2/120-347V

### Product Specification

Ordering Code	Model Number	Description	Image	Watts (W)	HEADS	Input Voltage (V)	Mounting	Self Powered Battery	Damp Location	Dimensions LxWxH (inch) (LH) (inch)	Case QTY.
3466200	TL-EMRM/90W/12VDC/0/120-347V	Steel battery unit, output 12V 64W max		64W	0	120/277/347VAC	Wall	Yes (30 minutes)	Yes	10.2"×9.1"×3.27"	3
3466201	TL-EMRM/90W/12VDC/2/120-347V	Steel battery unit with 2x2W heads, output 12V 60W max		60W	2	120/277/347VAC	Wall	Yes (30 minutes)	Yes	10.2"×9.1"×3.27" (5")	3
3466202	TL-EMRM/95W/12VDC/2/120-347V	Steel battery unit with 2x2W heads, output 12V 95W max		95W	2	120/277/347VAC	Wall	Yes (30 minutes)	Yes	12.2"×7.87"×2.76" (3.55")	5
3465200	TL-EMRM/36W/6VDC/2/120-347V	Steel battery unit with 2x2W heads, output 6V 36W max		36W	2	120/277/347VAC	Wall	Yes (30 minutes)	Yes	11.8"×5.5"×2.95" (3.55")	10



# LED FIXTURE

## TL Series



# LED Emergency With Battery

## TL-EMRM/24W

LED Emergency Light With Battery Backup



### Features & Benefits

- Injection-molded thermoplastic ABS housing

---

- Input Voltage 120/347V, 144 Lumens

---

- Output 4W, 24W Remote Backup

---

- 6V 5Ah Lead-acid Battery for 30 minutes

---

- Remote capable 6V / 24W, support 12 pcs of TL-EM003 or 6 pcs of TL-EM002

---

- Universal (Wall, Ceiling) mounting

---

- IP Class: IP20, not intended for outdoor use

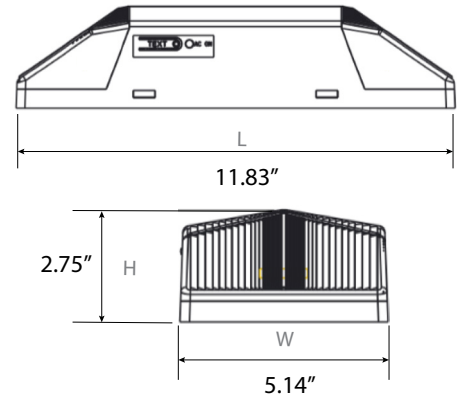
---

- Conversion time: <0.2second

---

- Charging time 24 hours

### Dimensional Drawing



### Warranty

- 2-year limited warranty in commercial use from the date of purchase

---

- Operating temperature range between 10°C and +40°C



### Ordering Information Example: TL-EMRM/24W/6VDC/120-347V

Family Name	Fixture Type	Model
TL (Turolight)	EMRM (Emergency Remote)	24W/6VDC/120-347V

### Product Specification

Ordering Code	Model Number	Description	Wattage (W)	Input Voltage (V)	CCT (K)	Hour Rating	CRI	Lumens	Mounting	Self Powered Battery	Damp Location	Dimensions LxWxH (inch)	Case QTY.
3464200	TL-EMRM/24W/6VDC/120-347V	Twin Head LED Emergency With Battery Backup 24W Remote capable	4W (24W For Remotes)	120/347VAC	7,000	50,000	82	144	Wall, Ceiling	Yes (30 minutes)	Yes	11.83" x 5.14" x 2.75"	8



# LED FIXTURE

## TL Series



# LED Emergency

## TL-EM001

Twin Head LED Emergency Light



### Features & Benefits

Injection-molded thermoplastic housing

Input Voltage 120/347V, 181 lumens

Easy installation

Ni-cd battery backup for 90 minutes

2W x 2 SMD LED adjustable heads

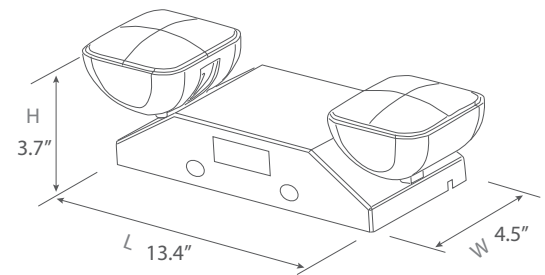
Universal (Wall, Ceiling) mounting

IP Class: IP20, not intended for outdoor use

Test switch and charge indicator light

UL-94V-0 flame rating, fire-retardant

### Dimensional Drawing



### Warranty

2-year limited warranty in commercial use from the date of purchase

Operating temperature range between -10°C and +40°C

### Ordering Information Example: TL-RMES003

Family Name	Fixture Type	Model
TL (Turolight)	EM (Emergency Light)	001 (Twin Head LED Emergency Light)

### Product Specification

Ordering Code	Model Number	Description	Wattage (W)	Input Voltage (V)	CCT (K)	Hour Rating	CRI	Lumens	Mounting	Self Powered Battery	Damp Location	Dimensions LxWxH (inch)	Case QTY.
3461211	TL-EM001	Twin Head LED Emergency With Battery Backup	4W	120/347VAC	7,000	50,000	82	181	Wall, Ceiling	Yes (90 minutes)	Yes	13.4"×4.5"×3.7"	12





# LED FIXTURE

## TL Series

# LED Emergency

## TL-EM002, TL-EM003

LED Emergency Remote Head



### Features & Benefits

Injection-molded thermoplastic housing

Innovative, easy installation

UL-94V-0 flame rating, fire-retardant

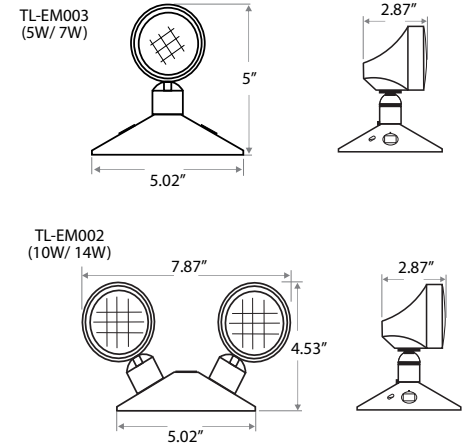
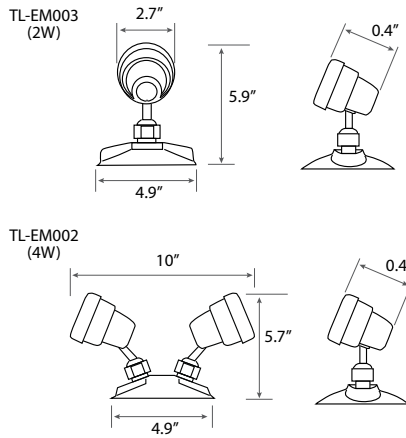
Universal (Wall, Ceiling) mounting

2W/ 5W/ 7W x 2 LED lamp heads (TL-EM002)

2W/ 5W/ 7W x 1 LED lamp head (TL-EM003)

cUL listed / IP20, damp location rated

### Dimensional Drawing



### Warranty

2-year limited warranty

Operating temperature range between 0°C and +40°C

### Ordering Information Example: TL-RMES003

Family Name	Fixture Type	Model	Wattage
TL (Turolight)	EM (Emergency Light)	002 (LED Emergency 2 Remote Heads) 003 (LED Emergency 1 Remote Head)	4W, 10W, 14W 2W, 5W, 7W

### Product Specification

Ordering Code	Model Number	Description	Wattage (W)	Input Voltage (V)	CCT (K)	Hour Rating	CRI	Mounting	Remote Capable	Damp Location	Dimensions LxW (inch)	Case QTY.
3461112	TL-EM002	LED Emergency 2 Remote Heads	4W	3.6-24 VDC	7,000	50,000	82	Wall, Ceiling	Yes	Yes	5.7" x 4.9"	40
3462101	TL-EM002-10W	LED Emergency 2 Remote Heads	10W	5-12 VDC	6,500	50,000	82	Wall, Ceiling	Yes	Yes	4.53" x 5.02"	20
3462102	TL-EM002-14W	LED Emergency 2 Remote Heads	14W	5-12 VDC	6,500	50,000	82	Wall, Ceiling	Yes	Yes	4.53" x 5.02"	20
3461113	TL-EM003	LED Emergency 1 Remote Head	2W	3.6-24 VDC	7,000	50,000	82	Wall, Ceiling	Yes	Yes	5.9" x 4.9"	40
3461119	TL-EM003-5W	LED Emergency 1 Remote Head	5W	5-12 VDC	6,500	50,000	82	Wall, Ceiling	Yes	Yes	5" x 5.02"	20
3462100	TL-EM003-7W	LED Emergency 1 Remote Head	7W	5-12 VDC	6,500	50,000	82	Wall, Ceiling	Yes	Yes	5" x 5.02"	20

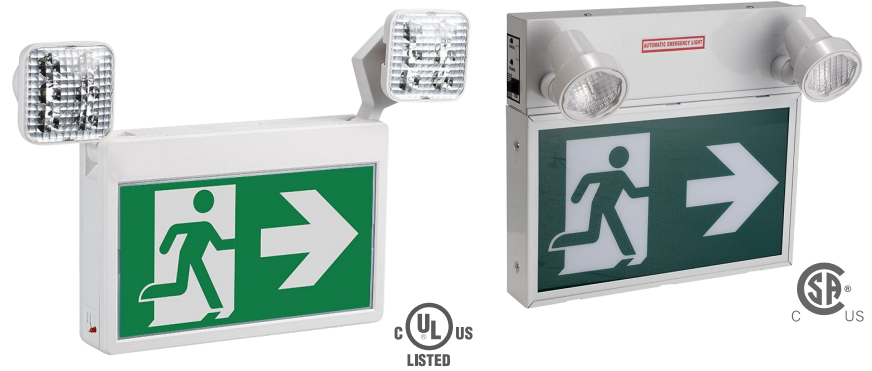


# LED FIXTURE

## TL Series

### LED Emergency TL-RMES003, RMES302

"Running Man" LED Emergency Combo Sign



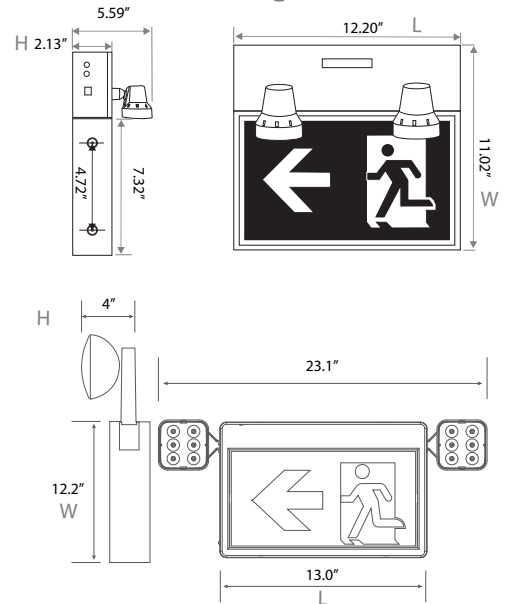
#### Features & Benefits

- Injection-molded thermoplastic housing (RMES003). RMES302 metal housing c/w 36W 6V battery pack, allows for the addition of Remote heads.
- Easy installation
- Ni-cd battery backup for 90 minutes
- Universal (Wall, Ceiling) mounting
- 2W x 2 super bright SMD LED adjustable heads
- 120/347VAC input voltage
- 3 Pictograms included, single/ double face
- cUL listed / IP20
- Test switch and charge indicator light

#### Warranty

- 2-year limited warranty in commercial use from the date of purchase
- Operating temperature range between -10°C and +40°C

#### Dimensional Drawing



#### Ordering Information Example: TL-RMES003

Family Name	Fixture Type	Model
TL (Turolight)	RMES ("Running Man" Emergency Sign)	003 ("Running Man" Combo Sign ) Plastic 302 ("Running Man" Combo Sign) Metal, additional 6VDC remote head capable



Arrow 2pcs



Without Arrow 1pc

#### Product Specification

Ordering Code	Model Number	Description	Image	Wattage (W)	Input Voltage (V)	Mounting	Self Powered Battery	Damp Location	Dimensions LxWxH (inch)	Case QTY.
3461210	TL-RMES003	"Running Man" LED Emergency Sign, White Plastic Housing		4W	120/347VAC	Wall, Ceiling	Yes (90 minutes)	Yes	13.0"×12.2"×4"	4
3461212	TL-RMES302	"Running Man" LED Emergency Sign, White Metal Housing		36W	120/347VAC	Wall, Ceiling	Yes (90 minutes)	Yes	12.2"×11.02"×2.13"	6



# LED FIXTURE

TL Series

## LED Emergency

TL-RMES101

"Running Man" LED Emergency Sign



### Features & Benefits

- Injection-molded thermoplastic housing

---

- Easy installation

---

- Ni-cd battery backup for 90 minutes, AC only & 6-24V UDC (TL-RMES101-UDC)

---

- Universal (Wall, Ceiling, Side) mounting

---

- Super bright SMD LED

---

- 120/347VAC input voltage

---

- 3 Pictograms included, single/ double face

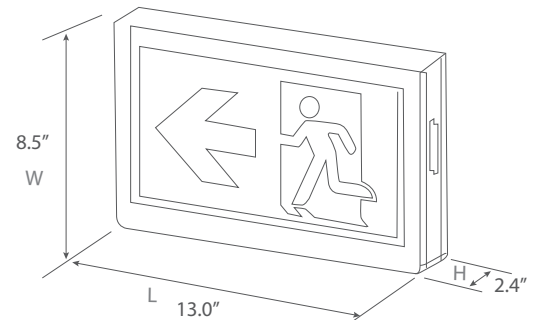
---

- cUL listed / IP20

---

- Test switch and charge indicator light

### Dimensional Drawing



Arrow 2pcs



Without Arrow 1pc

### Warranty

- 2-year limited warranty in commercial use from the date of purchase

---

- Operating temperature range between -10°C and +40°C

### Ordering Information Example: TL-RMES101

Family Name	Fixture Type	Model
TL (Turolight)	RMES ("Running Man" Emergency Sign)	101 (Emergency Sign ) 101-UDC (Emergency Sign, AC only & 6-24V UDC)

### Product Specification

Ordering Code	Model Number	Description	Wattage (W)	Input Voltage (V)	Mounting	Remote Capable	Self Powered Battery	Damp Location	Dimensions LxWxH (inch)	Case QTY.
3461114	TL-RMES101	"Running Man" LED Emergency Sign, White Housing	3W	120/347VAC	Wall, Ceiling, Side	No	Yes (90 minutes)	Yes	13.0"×8.5"×2.4"	6
3461116	TL-RMES101-UDC	"Running Man" LED Emergency Sign, White Housing AC only & 6-24V UDC	3W	120/347VAC	Wall, Ceiling, Side	Yes	NO	Yes	13.0"×8.5"×2.4"	6



# LED FIXTURE

## TL Series

# LED Emergency

## TL-RMES201

"Running Man" LED Edge-lit Emergency Sign



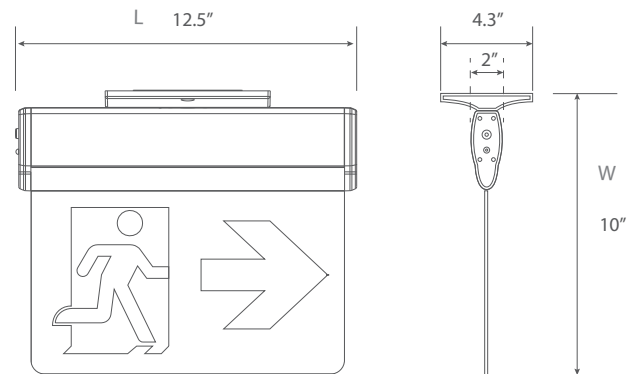
### Features & Benefits

- Injection-molded thermoplastic ABS housing
- Easy installation
- Ni-cd battery backup for 90 minutes, AC only & 6-24V UDC (TL-RMES201-UDC)
- Universal (Wall, Side, Ceiling) mounting
- Super bright SMD LED
- 120/347VAC input voltage, 3W
- 3 Pictograms included, single/ double face
- cUL listed / IP20
- Test switch and charge indicator light

### Warranty

- 2-year limited warranty in commercial use from the date of purchase
- Operating temperature range between 0°C and +40°C

### Dimensional Drawing



Arrow 2pcs



Without Arrow 1pc

### Ordering Information Example: TL-RMES201

Family Name	Fixture Type	Model
TL (Turolight)	RMES ("Running Man" Emergency Sign)	201 (Edge-lit Emergency Sign ) 201-UDC (Edge-lit Emergency Sign , AC only & 6-24V UDC)

### Product Specification

Ordering Code	Model Number	Description	Wattage (W)	Input Voltage (V)	Mounting	Remote Capable	Self Powered Battery	Damp Location	Dimensions* LxW (inch)	Case QTY.
3461115	TL-RMES201	"Running Man" LED Edge-lit Emergency Sign, White Plastic Housing AC only	3W	120/347VAC	Wall, Side, Ceiling	No	Yes (90 minutes)	Yes	12.5"×10"	10
3461117	TL-RMES201-UDC	"Running Man" LED Edge-lit Emergency Sign, White Plastic Housing AC only & 6-24V UDC	3W	120/347VAC	Wall, Side, Ceiling	Yes	No	Yes	12.5"×10"	10

\* Please see the "Dimensional Drawing" for detail



# LED FIXTURE

## TL Series

# LED Emergency

## TL-RMES301

"Running Man" LED emergency sign in metal



### Features & Benefits

- CRS housing + PC panel(s)

---

- Easy installation

---

- Ni-cd battery backup for 2 hrs (TL-RMES301)  
AC only & 6-24V UDC (TL-RMES301-UDC)

---

- Universal (wall, ceiling, side) mounting

---

- Super bright SMD LED

---

- 3 Pictograms included, single/ double face

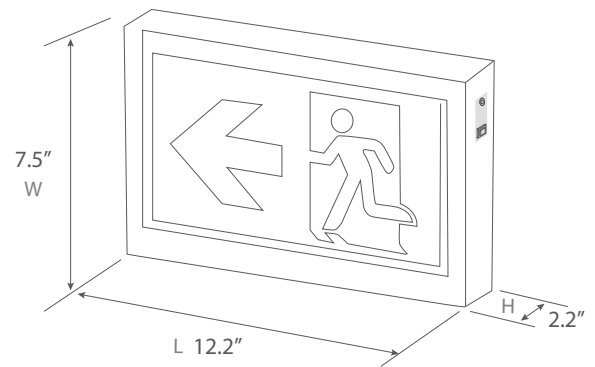
---

- CSA C22.2 No. 141/ IP20

---

- Test switch and charge indicator light

### Dimensional Drawing



Arrow 2pcs



Without Arrow 1pc

### Warranty

- 2-year limited warranty in commercial use from the date of purchase

---

- Operating temperature range between -10°C and +40°C

### Ordering Information Example: TL-RMES301

Family Name	Fixture Type	Model
TL (Turolight)	RMES ("Running Man" Emergency Sign)	301 (Emergency Sign) 301D-UDC (Emergency Sign AC only & 6-24V UDC)

### Product Specification

Ordering Code	Model Number	Description	Wattage (W)	Input Voltage (V)	Mounting	Remote Capable	Self Powered Battery	Damp Location	Dimensions LxWxH (inch)	Case QTY.
3481100	TL-RMES301	"Running Man" LED Emergency Sign, White Metal Housing Ni-cd battery backup for 2 hours	3W (120V) 4W (347V)	120/347VAC	Wall, Ceiling, Side	No	Yes (2 hrs)	Yes	12.2" x 7.5" x 2.2"	10
3461118	TL-RMES301-UDC	"Running Man" LED Emergency Sign, White Metal Housing AC only & 6-24V UDC	3W (120V)	120/347VAC	Wall, Ceiling, Side	Yes	No	Yes	12.2" x 7.5" x 2.2"	10



# Pot Light Multi-Cutout Plate PL-AMP-MULTI-V

One Plate for all Turolight 4 family recessed LED fixtures  
(RGD-CHY, RGD-SMT, RGD-SP/4, PRO-SP2/4)

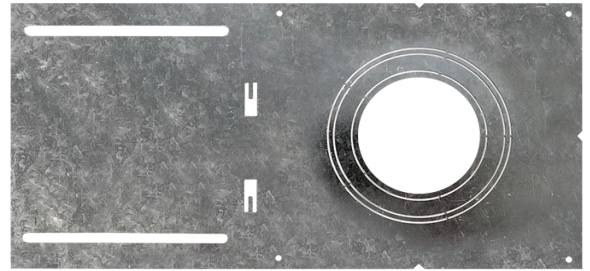
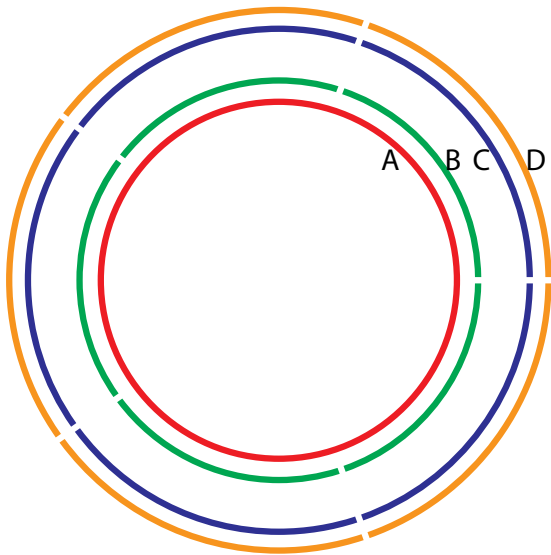


Plate dimensions 13.3" x 6.5"

One Plate for all Turolight 4 family recessed LED fixtures.



Easy K.O. type rings to achieve the desired cut-out.

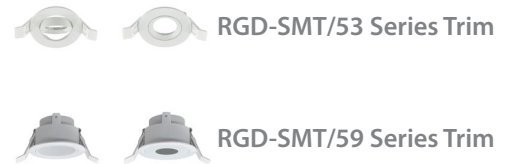
- A** - Cutout for CHY Series (all) & SMT Series 53-Trims
- B** - Cutout for SMT Series 59-Trims
- C** - Cutout for RGD-SP/4/Multi-K Series
- D** - Cutout for PRO-SP2/4 Series



**LED 4" Gimbal  
RGD-CHY/4**



**LED 3" Downlight  
RGD-SMT**



**LED 4" Slim Panel  
RGD-SP/4**



**LED 4" Slim Panel  
PRO-SP2/4**



# T5 High Bay HB-T5

Fluorescent & LED tube High Bay fixture, white / Alanod Chrome reflector



## Features & Benefits

4, 6 or 8 tube fixtures, T5 fluorescent & LED tube available

120-277V/ 347-480V input voltage

White / Alanod ( 320G) Chrome reflector options

Easy installation, tough body & quick access ballast door

Chain Mounting

Quick motion sensor connection with easy connector (optional TL-0008)

Default with Advance Electronic Ballast

10' cord c/w hanger supplied

## Warranty

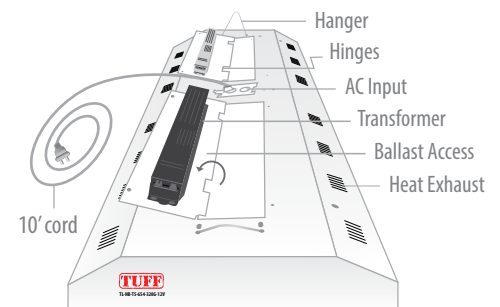
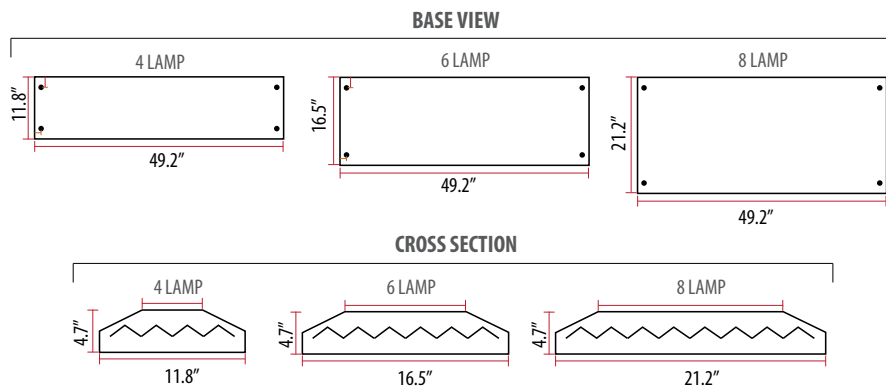
1-year limited warranty in commercial use from the date of purchase for fixture  
Ballast warranted by brand

Operating temperature range between -29°C and +45°C

## Applications

Warehouse/Manufacturing Facilities, Convention Centers/Sporting Arenas  
Big-Box Retail Stores, Cold Storage Facilities, Gymnasiums

## Dimensional drawing







# T5 High Bay

## HB-T5

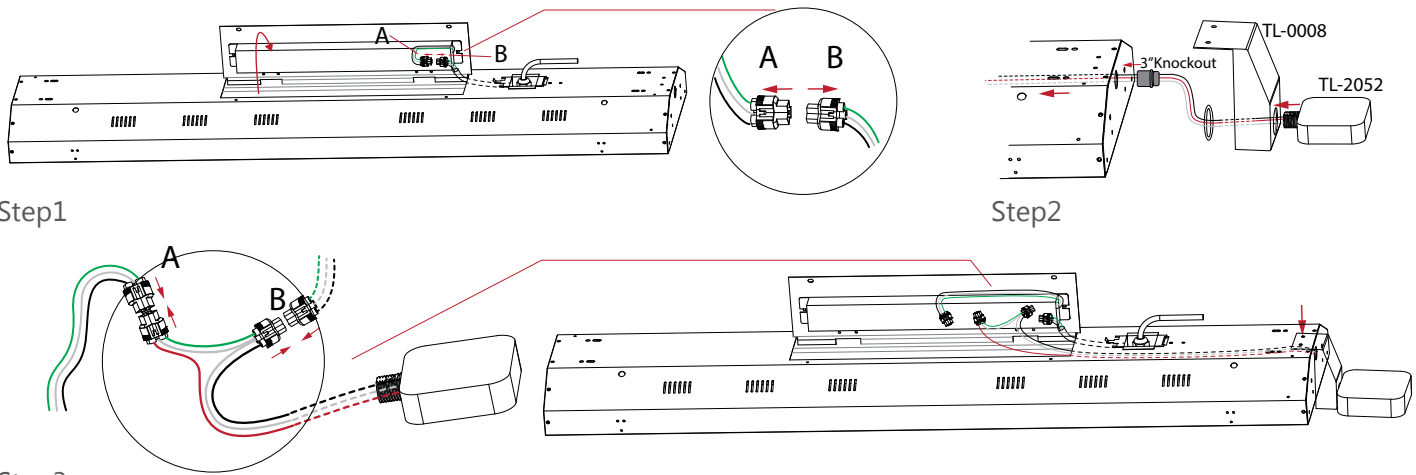
### Ordering Information Example: HB-T5-454-120V-C

Fixture Type	Lamp	# of Tubes	Wattage (fluorescent tube)	Voltage (V)	With Cord	Accessories
HB (TUFF™ High Bay)	T5 (fluorescent & LED)	4 6 8	54 (54W)	120V (120-277V) 347V (347-480V)	C (10' Cord)	Acrylic Door Wire Guard Aircraft Cables Motion Sensor

### Product Specification

Ordering Code	Model Number	Description	# of Tubes	Voltage	Ballast	Dimension LxWxH (inch)	Skid QTY.
3187106	HB-T5-454-120V-C	T5 High Bay 4 tube UNV Chrome Reflector 10ft Cord	4	120-277V	Advance	11.8X4.7X49.2	39
3187206	HB-T5-454-347V-C	T5 High Bay 4 tube 347V Chrome Reflector 10ft Cord	4	347-480V	Advance	11.8X4.7X49.2	39
3187107	HB-T5-654-120V-C	T5 High Bay 6 tube UNV Chrome Reflector 10ft Cord	6	120-277V	Advance	16.5X4.7X49.2	26
3187207	HB-T5-654-347V-C	T5 High Bay 6 tube 347V Chrome Reflector 10ft Cord	6	347-480V	Advance	16.5X4.7X49.2	26
3187110	HB-T5-854-120V-C	T5 High Bay 8 tube UNV Chrome Reflector 10ft Cord	8	120-277V	Advance	21.2X4.7X49.2	26
3187210	HB-T5-854-347V-C	T5 High Bay 8 tube 347V Chrome Reflector 10ft Cord	8	347-480V	Advance	21.2X4.7X49.2	26
3167100	HB-T5W-454-120V-C	T5 High Bay 4 tube UNV White Reflector 10ft Cord	4	120-277V	Advance	11.8X4.7X49.2	39
3167200	HB-T5W-454-347V-C	T5 High Bay 4 tube 347V White Reflector 10ft Cord	4	347-480V	Advance	11.8X4.7X49.2	39
3167101	HB-T5W-654-120V-C	T5 High Bay 6 tube UNV White Reflector 10ft Cord	6	120-277V	Advance	16.5X4.7X49.2	26
3167201	HB-T5W-654-347V-C	T5 High Bay 6 tube 347V White Reflector 10ft Cord	6	347-480V	Advance	16.5X4.7X49.2	26
3180000	Acrylic Door - 4 Lamps	Acrylic Door Frame Accessory for 4 tube High Bay T5 Fixture Acrylic					
3180001	Acrylic Door - 6 Lamps	Door Frame Accessory for 6 tube High Bay T5 Fixture Acrylic Door					
3180005	Acrylic Door - 8 Lamps	Frame Accessory for 8 tube High Bay T5 Fixture Wire Guard					
3180002	Wire Guard - 4 Lamps	Accessory for 4 tube High Bay T5 Fixture					
3180003	Wire Guard - 6 Lamps	Wire Guard Accessory for 6 tube High Bay T5 Fixture					
3180006	Wire Guard - 8 Lamps	Wire Guard Accessory for 8 tube High Bay T5 Fixture					
3180004	Aircraft Cable	3m Adjustable Aircraft Cable					
3768101	TL-2052	High Bay Passive Infrared Fixture Mounted Occupancy Sensor White		120-277/347V			
3768104	TL-2052-A	Occupancy Sensor Adapter ; High-Impact Housing, injection molded plastic					
3768105	TL-0008	Easy Connector for motion sensor, with 3 inches knockout					

### Sensor Connection Guide





# 4" DOWN LIGHT FIXTURES



Turolight's 4" recessed down light fixtures are manufactured with the highest quality of components available. Designed for use in either insulated or non-insulated ceilings, our housings are available in new construction or remodel.

Customize your down light with our TUFF trims which are available in a variety of finishes. For best results use with Turolight's HD™ / VIVID™ / PV™ series LED JDR/MR16 and PAR20 lamps.



## Contractor friendly, Easy to use, Easy to install

### PL-H4R 4" REMODEL NON-INSULATED

- Fully assembled housing with two pre-installed remodel clips easily secure the housing to any ceiling material
- Quick connects supplied for ease of wiring
- For use in non-insulated ceilings
- Thermally protected 50W Maximum

### PL-H4RICAT 4" REMODEL INSULATED

- Fully assembled housing with two pre-installed remodel clips easily secure the housing to any ceiling material
- Quick connects supplied for ease of wiring
- For use in insulated ceilings
- Thermally protected 10W Maximum

### PL-H4NIC 4" NEW CONSTRUCTION NON-INSULATED

- Fully assembled housing with pre-installed adjustable hanger-bars
- Quick connects supplied for ease of wiring
- For use in non-insulated ceilings
- Thermally protected 50W Maximum

### PL-H4ICAT 4" NEW CONSTRUCTION INSULATED, AIR TIGHT

- Fully assembled housing with pre-installed adjustable hanger-bars
- Quick connects supplied for ease of wiring
- For use in insulated ceilings
- Thermally protected 50W Maximum

### Accessories

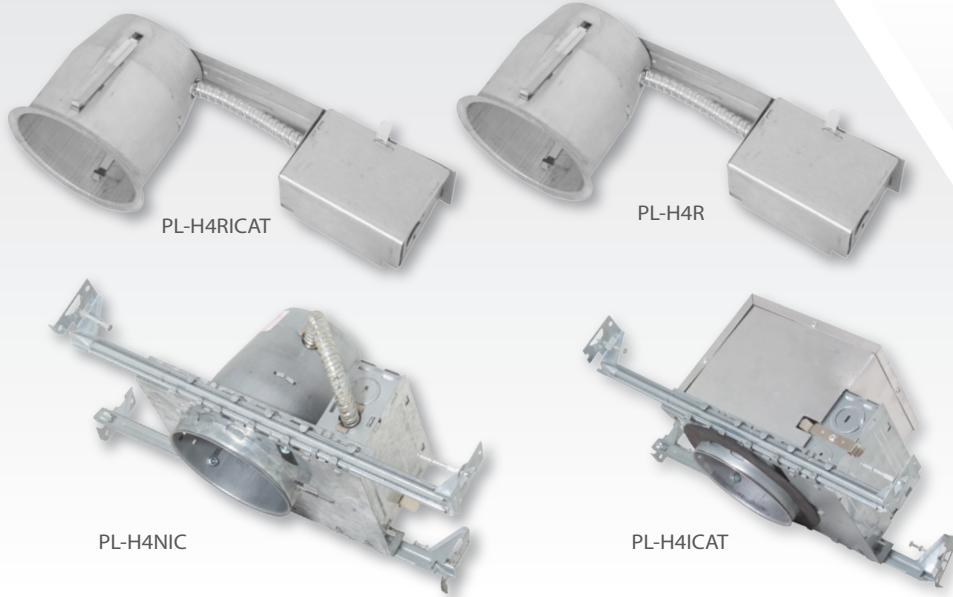
- Vapour Barrier - Fits all 4" housings
- 4" Mounting Plate

### Turolight Recommend

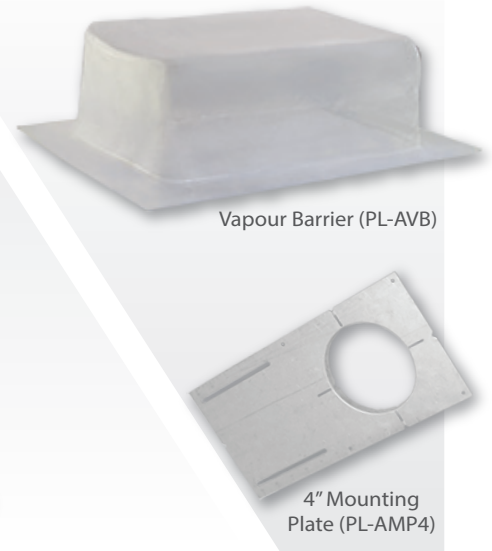
- HD™ - Premium Choice
- VIVID™ - Performance Choice
- PV™ - Pure Value



### POT LIGHT FIXTURES



### ACCESSORIES



### TRIM



### POT LIGHT FIXTURES

Order Code	Model Number	Description	Case Qty.
3465100	PL-H4ICAT	New construction for insulated ceiling, 50W max, E26(PAR20/MR16)	6
3465101	PL-H4NIC	New construction for non-insulated ceiling, 50W max, E26(PAR20/MR16)	6
3465102	PL-H4R	Remodeler for non-insulated ceiling, 50W max, E26(PAR20/MR16)	6
3465112	PL-H4RICAT	Remodeler for insulated ceiling, air tight 10W max, E26(PAR20/MR16)	6

### Trim

Order Code	Model Number	Description	Case Qty.
3465103	PL-T4GR/20/MW	4" adjustable gimbal ring trim, matte white, PAR20	24
3465104	PL-T4GR/16/GW	4" adjustable gimbal ring trim, glossy white, MR16	24
3465108	PL-T4GR/20/BN	4" adjustable gimbal ring trim, bush nickle, PAR20	24
3465109	PL-T4GR/16/BN	4" adjustable gimbal ring trim, brush nickle, MR16	24
3465110	PL-T4SH/20	4" white shower trim, PAR20	24
3465111	PL-T4SH/16	4" white shower trim, MR16/PAR16	24

### Accessory

Order Code	Model Number	Description	Case Qty.
3465105	PL-AMP4	4" aperture mounting plate	24
3465106	PL-AVB	Vapour barrier	50

Turolight reserves the right to change specifications, modify designs and discontinue items without incurring obligation. Every effort is made to ensure that descriptions, specifications and other information in this data sheet are correct. No warranty is given in respect thereof and the company shall not be liable for any error therein.

© Turolight, Inc.®

This material is copyright. Except as permitted, no part of this work may be reproduced by any process without prior written permission of and acknowledgement to Turolight, Inc.

The identified trademarks and copyrights are the property of Turolight® unless otherwise noted.

You can find this data sheet and many others online in PDF format at:

[www.turolight.com](http://www.turolight.com)



# Instant Start Electronic Ballast UNV & 347V



## Product Description

Compatible with T8, 32/25/17 & 30/28/25 wattage lamp types
THD <10%, high power factor
Normal ballast factor
Parallel lamp operation, enables lamps to remain on when one fails
Sound Rating A, for quiet operation
OCV 600V, No PCB's
Remote Mounting: 18 ft. max. Maximum ambient temperature: 131°F/ 55°C Maximum case temperature Tc: 194°F/ 90°C

## Certifications

Meets ANSI standard C82.11-2002 and C62.41-2002
Meets FCC 18 non-consumer limits(277V)
UL&cULus listed (Class P, Type 1 Outdoor), Type HL
RoHS compliance

## Warranty

Commercial/ Industrial product use with case Temp. 75°C or below	<u>5 years</u>
Commercial/ Industrial product use with case Temp. 90°C or below	<u>3 years</u>

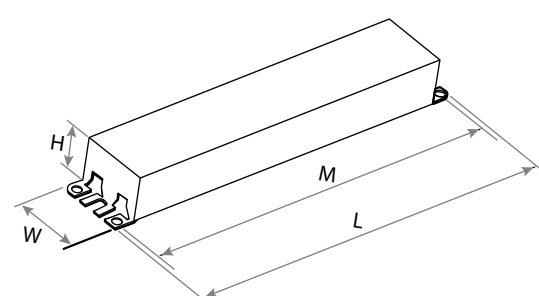
## Product Specification

Order Code	Model Number	No. of Lamps	Lamp Type	Input Volts (V)	Input Power (W)	Line Current (A)	Ballast Factor	THD (≤%)	Power Factor (≥)
<b>Instant Start, 120V 50/60Hz</b>									
4161100	TL232UNV-IS	1	F32T8	120	35	0.29	1.08	10	0.98
	TL232UNV-IS	2	F32T8	120	56	0.46	0.89	10	0.98
4161101	TL432UNV-IS	3	F32T8	120	92	0.77	0.96	10	0.98
	TL432UNV-IS	4	F32T8	120	112	0.93	0.88	10	0.98
<b>Instant Start, 347V 50/60Hz</b>									
4161200	TL232347-IS	1	F32T8	347	37	0.112	1.08	10	0.98
	TL232347-IS	2	F32T8	347	56	0.170	0.89	10	0.98
4161201	TL432347-IS	3	F32T8	347	88	0.260	0.94	10	0.97
	TL432347-IS	4	F32T8	347	109	0.322	0.87	10	0.98

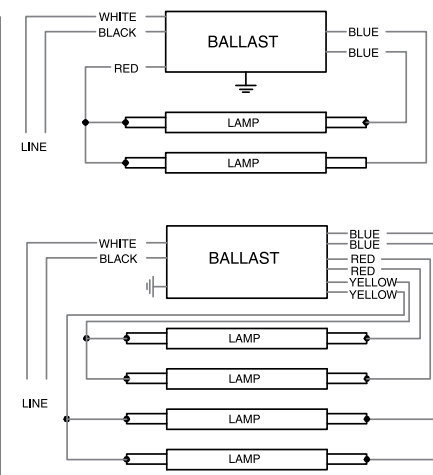
## Dimensional drawing

9.5"(L) x 1.3"(W) x 1.1"(H) x 8.9"(M)  
 0.79 lbs for TL232UNV-IS  
 1.10 lbs for TL432UNV-IS  
 TL232347-IS, TL432347-IS

Lead Length: 18AWG  
 White, Black 25" (±1")  
 Yellow 46" (±1")  
 Blue/ Red 31" (±1")



## Ballast Wiring



For one lamp application, cap any blue lead insulate to 600V

For three lamps application, cap any blue lead insulate to 600V



**PIR CEILING MOUNT OCCUPANCY SENSORS**

**EFFORTLESS LIGHTING CONTROL**



**6 SENSORS MAKE DOLLARS & SENSE!**

Our Standard Range 360° , 450 ft<sup>2</sup> coverage occupancy sensor which incorporates Passive Infrared (PIR) detection technology into an attractive line powered occupancy sensor that provides amazing sensitivity to small motions and excellent payback. This sensor is an economical solution for providing automatic lighting control where a wall switch replacement sensor is not applicable.



**Key Features**

- **Designed to work with LED/CFL technology**
- **Self-contained relay**
- **Preset time delay**
- **Auto ON/OFF Operation mode\***

\*The sensor detects changes in the infrared energy given off by occupants as they move within the field-of-view. When occupancy is detected, a self-contained relay switches the connected lighting load on. The sensor is line powered, and switches line voltage. A standard occupancy time delay is also present that ensures lights turn off (assuming minimum on timer has elapsed) if no occupancy is detected. This timer, factory set at 15 seconds, keeps the lights on during brief periods of inactivity. It is knob programmable from 15 seconds to 30 minutes, and is reset every time occupancy is re-detected.

**Application**

- Warehouse
- Boardroom
- Gymnasium
- Garage
- Office
- Manufacturing plant

**Other information**

- Two (2) year limited warranty
- Easy retrofit
- cUL listed

**Specifications**

	<b>TL-1032</b>
Technology	PIR
Occupancy/Vacancy	OCC
Coverage (Degrees Sq.Ft)	360° 450
Voltage	120/277 VAC
Frequency	50-60 Hz
Load Size	0-800W/0-1200W
Hot Required	Y
Neutral Required	Y
Ground Required	-
LED Indicator	-
ON/OFF Button	-
Adjustable Sensitivity	Y
Light Harvesting	Y
Operation Mode	OCC
Single Pole/2Pole/3-Way	Single Pole
Operating Temp.	0° to 55° C
Size	2.36" H x 4.92" W x 4.92" D
Weight	5.64 oz
Mounting Height	15 Ft

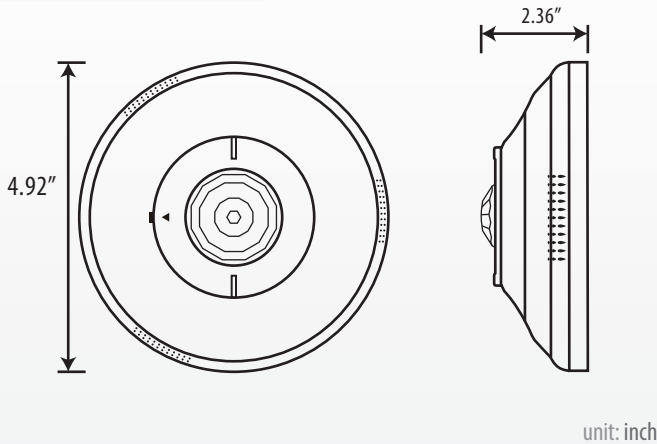




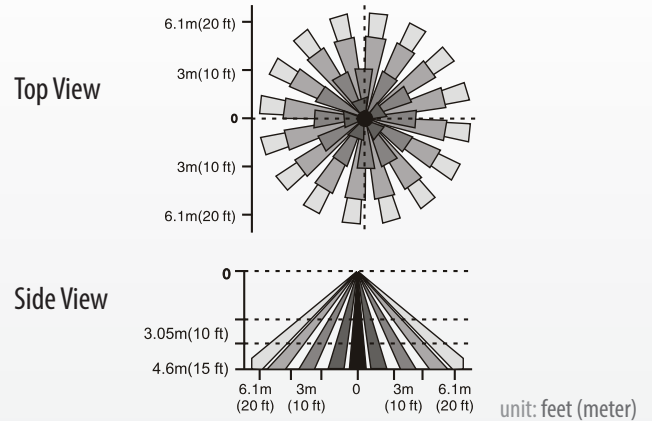


## PIR CEILING MOUNT OCCUPANCY SENSORS

### Dimensions



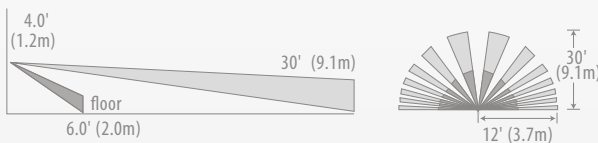
### Detection Patterns



### You might be interested in:

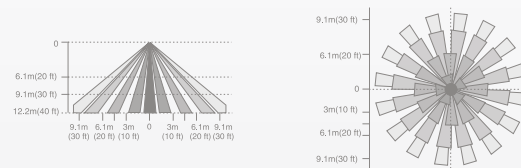
#### PIR WALL SWITCH OCCUPANCY SENSORS

Turolight's switch sensors are designed to replace a standard light or fan switch. This device can detect motion from a heat-emitting source (such as a person entering a room) within its field-of-views and automatically turn ON and OFF saving energy and reducing energy bills.



#### PIR HIGH BAY FIXTURE MOUNT OCCUPANCY SENSORS

Highly mountable High Bay 360° sensor provides Passive Infrared (PIR) occupancy detection over a 15-20 ft radial coverage pattern that overlaps the areas lit by a typical high bay fixture.



**Call now for more information!**

Turolight reserves the right to change specifications, modify designs and discontinue items without incurring obligation. Every effort is made to ensure that descriptions, specifications and other information in this data sheet are correct. No warranty is given in respect thereof and the company shall not be liable for any error therein.

© Turolight, Inc.®

This material is copyright. Except as permitted, no part of this work may be reproduced by any process without prior written permission of and acknowledgement to Turolight, Inc.

The identified trademarks and copyrights are the property of Turolight® unless otherwise noted.

You can find this data sheet and many others online in PDF format at:

[www.turolight.com](http://www.turolight.com)

**Distributed by:**





**PIR HIGH BAY  
FIXTURE MOUNT  
OCCUPANCY SENSORS**

**EFFORTLESS LIGHTING CONTROL**



**“ CONVENIENCE AND SIMPLICITY!**

Highly mountable High Bay 360° sensor provides Passive Infrared (PIR) occupancy detection over a 15-20 ft radial coverage pattern that overlaps the areas lit by a typical high bay fixture.

This line voltage sensor switches loads directly without the need for a power pack. The sensor can be mounts to a fixture with a 1/2 inch knockout for individual ON/OFF control of T5/T8 fluorescent lighting.



**Key Features**

- **Designed to work with LED/CFL technology**
- **Self-contained relay**
- **Replaces a standard light or fan single-pole switch**
- **Preset time delay**
- **Auto ON/OFF Operation mode\***

\*The sensor detects changes in the infrared energy given off by occupants as they move within the field-of-view. When occupancy is detected, a self-contained relay switches the connected lighting load on. The sensor is line powered, and switches line voltage. A standard occupancy time delay is also present that ensures lights turn off (assuming minimum on timer has elapsed) if no occupancy is detected. This timer, factory set at 15 seconds, keeps the lights on during brief periods of inactivity. It is knob programmable from 15 seconds to 30 minutes, and is reset every time occupancy is re-detected.

**Application**

- Warehouse
- Manufacturing plant
- Gymnasium
- Storage Rooms

**Other information**

- Two (2) year limited warranty
- Easy retrofit
- cUL listed

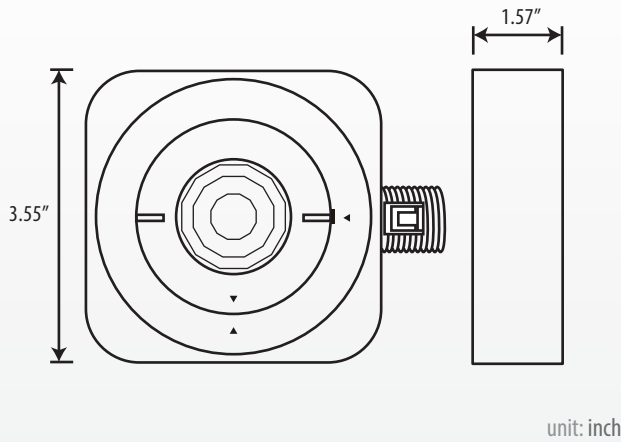
**Specifications**

	<b>TL-2052</b>
Technology	PIR
Occupancy/Vacancy	OCC
Coverage (Degrees Sq.Ft)	360° 450
Voltage	120/277/347 VAC
Frequency	50-60 Hz
Load Size	0-800W/0-1200W/0-1500W
Hot Required	Y
Neutral Required	Y
Ground Required	-
LED Indicator	Y
ON/OFF Button	-
Adjustable Sensitivity	Y
Light Harvesting	-
Operation Mode	OCC
Single Pole/2Pole/3-Way	Single Pole
Operating Temp.	0° to 55° C
Size	3.55" H x 3.55" W x 1.57" D
Weight	5 oz
Mounting Height	Up to 30 Ft

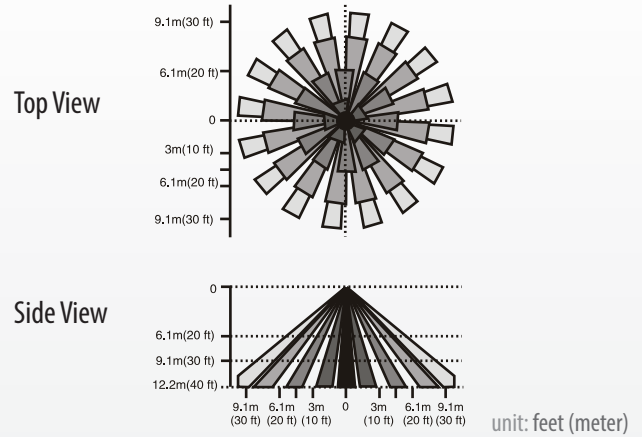




### Dimensions



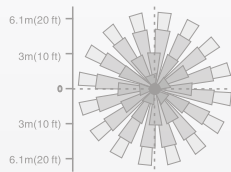
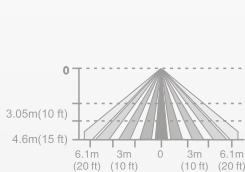
### Detection Patterns



### You might be interested in:

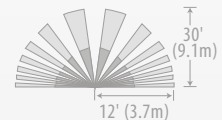
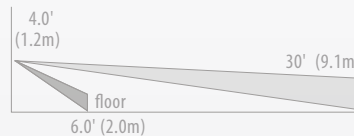
#### PIR CEILING MOUNT OCCUPANCY SENSORS

Standard Range 360° occupancy sensor which incorporates Passive Infrared (PIR) detection technology into an attractive line powered occupancy sensor that provides amazing sensitivity to small motions and excellent payback.



#### PIR WALL SWITCH OCCUPANCY SENSORS

Turolight's switch sensors are designed to replace a standard light or fan switch. This device can detect motion from a heat-emitting source (such as a person entering a room) within its field-of-views and automatically turn ON and OFF saving energy and reducing energy bills.



**Call now for more information!**

Turolight reserves the right to change specifications, modify designs and discontinue items without incurring obligation. Every effort is made to ensure that descriptions, specifications and other information in this data sheet are correct. No warranty is given in respect thereof and the company shall not be liable for any error therein.

© Turolight, Inc.®

This material is copyright. Except as permitted, no part of this work may be reproduced by any process without prior written permission of and acknowledgement to Turolight, Inc.

The identified trademarks and copyrights are the property of Turolight® unless otherwise noted.

You can find this data sheet and many others online in PDF format at:

[www.turolight.com](http://www.turolight.com)

**Distributed by:**



**PIR WALL SWITCH  
OCCUPANCY SENSORS**

**EFFORTLESS LIGHTING CONTROL**



**“ A FEW MINUTE RETROFIT FOR A LIFE TIME OF SAVINGS!**

Turolight’s switch sensors are designed to replace a standard light or fan switch. This device can detect motion from a heat-emitting source (such as a person entering a room) within its field-of-views and automatically turn ON and OFF saving energy and reducing energy bills. Using Vacancy & Occupancy Sensors can reduce energy consumption by 45+%.



**Key Features**

- **Designed to work with LED/CFL technology**
- **Self-contained relay**
- **Replaces a standard light or fan single-pole switch**
- Preset time delay
- OFF / OCC / VAC three operation modes\*

\*OCC: Auto ON / Auto OFF VAC: Auto OFF / Manual ON

**Application**

- Private Offices
- Conference Rooms
- Break Rooms
- Lounges / Hallways
- Stairways
- Rest Rooms
- Storage Rooms
- Classrooms

**Other information**

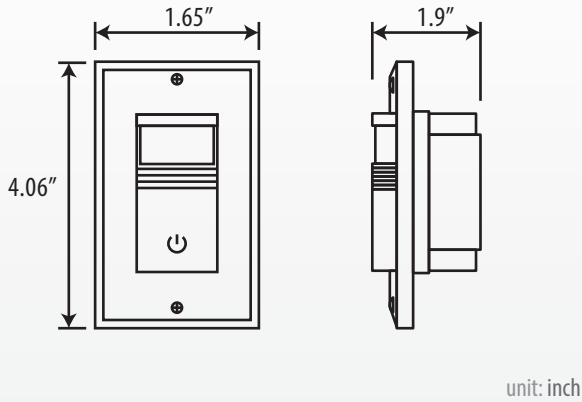
- Two (2) year limited warranty
- Easy retrofit
- cUL listed

**Specifications**

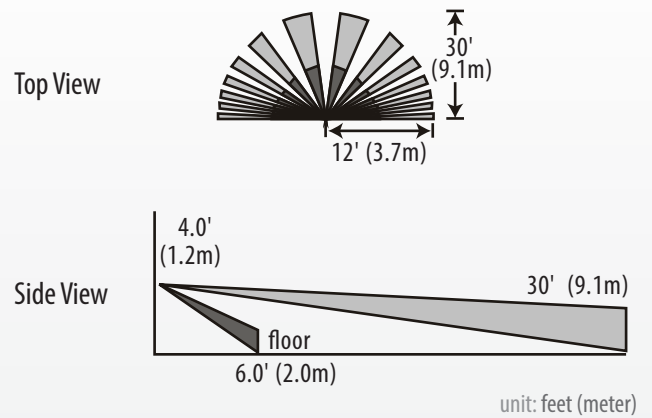
	<b>TL-6012</b>	<b>TL-8012</b>
Technology	PIR	PIR
Occupancy/Vacancy	OCC/VAC	OCC/VAC
Coverage (Degrees Sq.Ft)	180° 600	180° 600
Voltage	120/277 VAC	120/277 VAC
Frequency	50-60 Hz	50-60 Hz
Load Size	0-800W/0-1200W	0-800W/0-1200W
Hot Required	Y	Y
Neutral Required	-	Y
Ground Required	Y	Y
LED Indicator	Y	Y
ON/OFF Button	Y	Y
Adjustable Sensitivity	Y	Y
Light Harvesting	Y	Y
Operation Mode	OCC & RESET/VAC	OCC & RESET/VAC
Single Pole/2Pole/3-Way	Single Pole	Single Pole
Operating Temp.	0° to 55° C	0° to 55° C
Size	4.06" H x 1.68" W x 1.90" D	
Weight	5 oz	5 oz
Mounting Height	30" to 48"	30" to 48"



### Dimensions



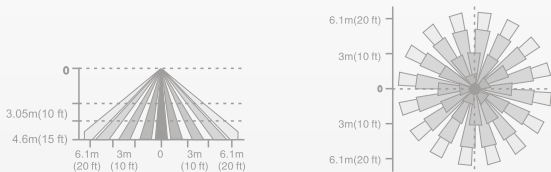
### Detection Patterns



### You might be interested in:

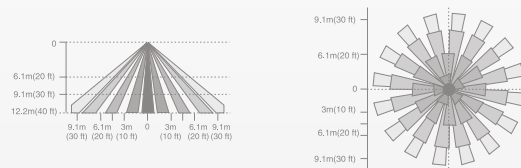
#### PIR CEILING MOUNT OCCUPANCY SENSORS

Standard Range 360° occupancy sensor which incorporates Passive Infrared (PIR) detection technology into an attractive line powered occupancy sensor that provides amazing sensitivity to small motions and excellent payback.



#### PIR HIGH BAY FIXTURE MOUNT OCCUPANCY SENSORS

Highly mountable High Bay 360° sensor provides Passive Infrared (PIR) occupancy detection over a 15-20 ft radial coverage pattern that overlaps the areas lit by a typical high bay fixture.



**Call now for more information!**

Turolight reserves the right to change specifications, modify designs and discontinue items without incurring obligation. Every effort is made to ensure that descriptions, specifications and other information in this data sheet are correct. No warranty is given in respect thereof and the company shall not be liable for any error therein.

© Turolight, Inc.®

This material is copyright. Except as permitted, no part of this work may be reproduced by any process without prior written permission of and acknowledgement to Turolight, Inc.

The identified trademarks and copyrights are the property of Turolight® unless otherwise noted.

You can find this data sheet and many others online in PDF format at:

[www.turolight.com](http://www.turolight.com)

**Distributed by:**