

Turolight's 4" recessed down light fixtures are manufactured with the highest quality of components available. Designed for use in either insulated or non-insulated ceilings, our housings are available in new construction or remodel.

Customize your down light with our TUFF trims which are available in a variety of finishes. For best results use with Turolight's HD™ / VIVID™ / PV™ series LED JDR/MR16 and PAR20 lamps.



## Contractor friendly, Easy to use, Easy to install

### PL-H4R 4" REMODEL NON-INSULATED

- Fully assembled housing with two pre-installed remodel clips easily secure the housing to any ceiling material
- Quick connects supplied for ease of wiring
- For use in non-insulated ceilings
- Thermally protected 50W Maximum

### PL-H4RICAT 4" REMODEL INSULATED

- Fully assembled housing with two pre-installed remodel clips easily secure the housing to any ceiling material
- Quick connects supplied for ease of wiring
- For use in insulated ceilings
- Thermally protected 10W Maximum

### PL-H4NIC 4" NEW CONSTRUCTION NON-INSULATED

- Fully assembled housing with pre-installed adjustable hanger-bars
- Quick connects supplied for ease of wiring
- For use in non-insulated ceilings
- Thermally protected 50W Maximum

### PL-H4ICAT 4" NEW CONSTRUCTION INSULATED, AIR TIGHT

- Fully assembled housing with pre-installed adjustable hanger-bars
- Quick connects supplied for ease of wiring
- For use in insulated ceilings
- Thermally protected 50W Maximum

### Accessories

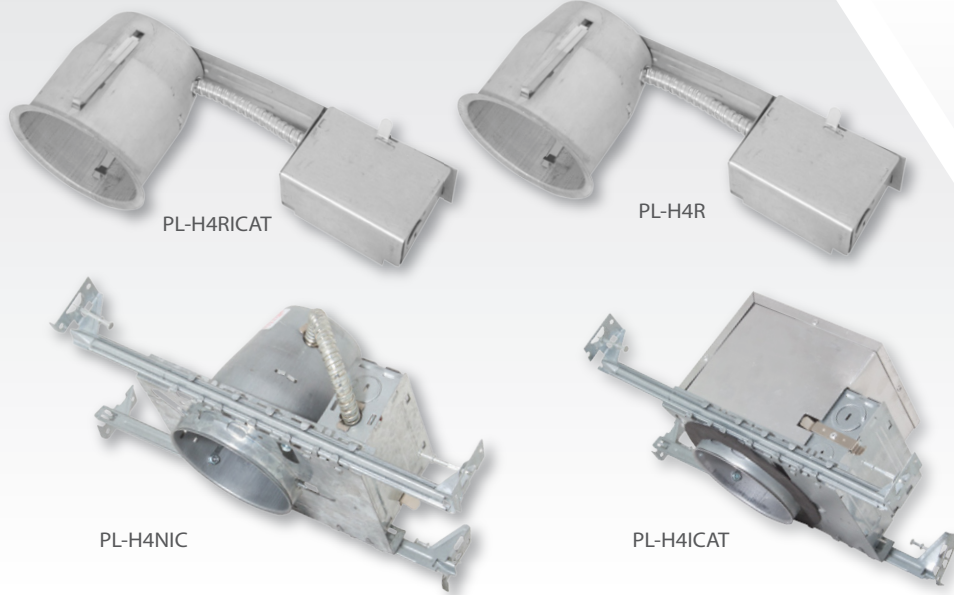
- Vapour Barrier - Fits all 4" housings
- 4" Mounting Plate

### Turolight Recommend

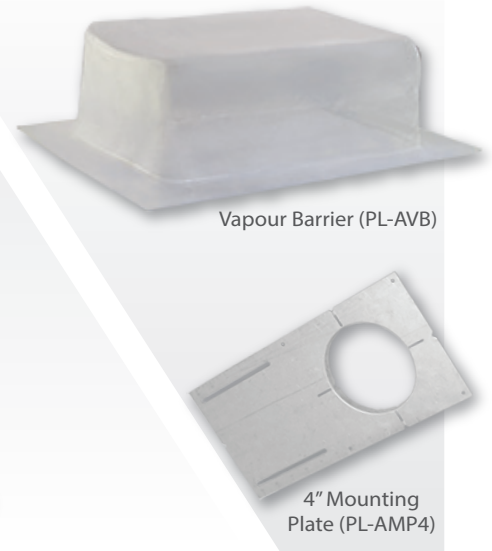
- HD™ - Premium Choice
- VIVID™ - Performance Choice
- PV™ - Pure Value



### POT LIGHT FIXTURES



### ACCESSORIES



### TRIM



### POT LIGHT FIXTURES

Order Code	Model Number	Description	Case Qty.
3465100	PL-H4ICAT	New construction for insulated ceiling, 50W max, E26(PAR20/MR16)	6
3465101	PL-H4NIC	New construction for non-insulated ceiling, 50W max, E26(PAR20/MR16)	6
3465102	PL-H4R	Remodeler for non-insulated ceiling, 50W max, E26(PAR20/MR16)	6
3465112	PL-H4RICAT	Remodeler for insulated ceiling, air tight 10W max, E26(PAR20/MR16)	6

### Trim

Order Code	Model Number	Description	Case Qty.
3465103	PL-T4GR/20/MW	4" adjustable gimbal ring trim, matte white, PAR20	24
3465104	PL-T4GR/16/GW	4" adjustable gimbal ring trim, glossy white, MR16	24
3465108	PL-T4GR/20/BN	4" adjustable gimbal ring trim, bush nickel, PAR20	24
3465109	PL-T4GR/16/BN	4" adjustable gimbal ring trim, brush nickel, MR16	24
3465110	PL-T4SH/20	4" white shower trim, PAR20	24
3465111	PL-T4SH/16	4" white shower trim, MR16/PAR16	24

### Accessory

Order Code	Model Number	Description	Case Qty.
3465105	PL-AMP4	4" aperture mounting plate	24
3465106	PL-AVB	Vapour barrier	50

Turolight reserves the right to change specifications, modify designs and discontinue items without incurring obligation. Every effort is made to ensure that descriptions, specifications and other information in this data sheet are correct. No warranty is given in respect thereof and the company shall not be liable for any error therein.

© Turolight, Inc.®

This material is copyright. Except as permitted, no part of this work may be reproduced by any process without prior written permission of and acknowledgement to Turolight, Inc.

The identified trademarks and copyrights are the property of Turolight® unless otherwise noted.

You can find this data sheet and many others online in PDF format at:

[www.turolight.com](http://www.turolight.com)