



Lamps & Luminaires Catalogue

Tel: 905-479-7093 • Toll Free: 1-888-425-7093
sales@turolight.com • www.turolight.com

D-01V. 2021



Brighter, Better,
for Less

More LED Options,
More Savings, More Profits



WHO WE ARE

Turolight has been redefining the very definition of light since its inception. By introducing wave after wave of new, exciting, innovative leading edge, high quality, energy saving lighting products we've captured the hearts and minds of countless organization and individuals alike.

Global warming is a reality; it is our purpose to create sustainable solutions that achieve in higher efficiencies than required by law. Our products feature some of the most impressive traits in the industry. Featuring break-thru products like LED bulbs and fixtures, we've just begun to explore the alternatives to further support in the effort to create a sustainable future.

These initiatives will help reduce greenhouse gases, promote energy conservation, reduce waste both at the manufacturing level and at the consumer level, while protecting our children's future. Turolight goes further than just engineering environmentally

friendly products, we take it to the streets and work hard to promote and support programs that will contribute to the realization of sustainability in this new reality.

We understand the need for safety in all electrical products and lighting products are no exception. Turolight strongly promotes the strictest of safety standards by adhering to CSA and cUL guidelines.

We create and distribute, through our distribution partners, a host of unique lighting products that are quickly becoming the standard in our industry today. If you are a distributor or an agent of electrical products and are interested in becoming a Turolight partner, contact us today at www.turolight.com.

Turolight continues to capture the lighting marketplace, and takes pride in making it affordable, practical and sustainable for all.

MISSION STATEMENT

Turolight is a leading manufacturer of premium, energy efficient and environmentally friendly lighting technologies. Our products allow industries and consumers alike to make positive choices for themselves, their communities, and the planet.

A faint, grayscale background image of a city skyline, including the CN Tower, is visible behind the footer text.

 **TUROLIGHT** | Redefining Energy Saving Lighting Products

**NEW
PRODUCT**



LED Doorway Light
(SSL-DW2)



LED Wall Pack
(SSL-WP1S, SSL-WP1T)



LED Full Cutoff Wall Pack
(SSL-WP3T)



LED Canopy
(SSL-CP3)



LED Garage Canopy
(SSL-CPG)



LED Mini Flood
(SSL-MFL)



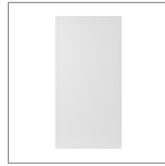
LED Circular HighBay
(SSL-CHB)



LED Area Light
(SSL-AL2)



LED Linear High Bay
(SSL-LHB3)



LED Backlit Panel
(RGD-BLP2)



LED Flush Mount, 1 Ring
(RGD-FM15)



LED Flush Mount, PC
(RGD-FM14)



LED Downlight
(RGD-CDF)



Eco-Commercial Strip
(DL-EC/MW/MK)



LED String Lights
(SSL-STRINGER/RGBW)

LED LUMINAIRES

| | | | |
|-------------------------|---|---------------------------------------|---|
| Backlit Panel | » | Flat Panel | » |
| Centre Basket | » | Downlight | » |
| 3" Downlight | » | 4" Gimbal | » |
| Ceiling Dome Light | » | Downlight With J-Box | » |
| Slim Panel | » | Surface Discus | » |
| Flush Mount (Ring, PC) | » | Vanity & Wall Sconce | » |
| Wrap Light | » | Eco-Commercial Strip | » |
| Connected Strip | » | Vapor Tight | » |
| Circular Highbay | » | Linear High Bay | » |
| Area Light | » | Mini Flood & Slim Flood | » |
| Wall Pack | » | Doorway Light | » |
| Canopy | » | Decorative Light Set | » |
| Running Man Sign, Combo | » | Emergency Sign, Light, Backup Battery | » |
| Sports Light | » | Sensor | » |

LED LAMPS

| | | | |
|--|---|----------------------------|---|
| Dim to Warm | » | High Lumen PS25, PS30, A21 | » |
| A15, A19 | » | G9, G4, MR11 | » |
| MR16 | » | PAR Lamp | » |
| BR Lamp | » | Retrofit Kit | » |
| Filament-Low Flicker, Regular, Aesthetic | » | Wi-Fi A19 | » |
| T5 - Direct Fit (Shatterprotect, Glass) | | | » |
| T5 - Bypass (Shatterprotect) | | | » |
| T8 - Direct Fit (Shatterprotect, Glass, Nano, Metric Size) | | | » |
| T8 - Hybrid (U1, U6 Bend) | | | » |
| T8 - Bypass (Flicker Free, Shatterprotect, Glass, Dim) | | | » |
| T8 - Bypass (8 Foot, 5 Foot, 6 Foot) | | | » |
| T8 - Bypass (Full Spectrum R9 >90, High CRI 95+) | | | » |
| T8 - Bypass (Nano Sigh Light, Freezer/ Cooler) | | | » |
| T8 Electronic Ballast | » | PL, PLL, PLS | » |



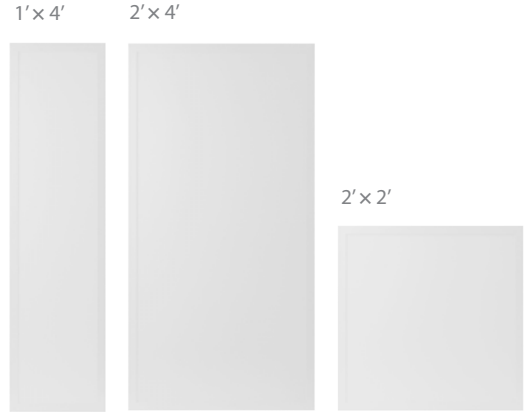
LED FIXTURE

RIGID Series

LED Backlit Panel

RGD-BLP2

Ultra Slim LED Backlit Panel Luminaire with the latest options,
Multiple Wattage - Multiple Kelvin, Auto-Sensing Driver



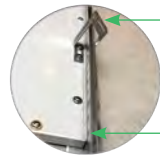
Features & Benefits

- cUL listed, 125lm/W
- Multiple Wattage and Multiple Kelvin (CCT)
- Ultra slim design, no UV & IR emission
- 3 Convenient sizes (1'x4', 2'x4', 2'x2')
- 120-347V Auto-sensing driver, PF >0.9
- L70 @ 50,000 Hrs, CRI ≥80

- 0-10V Dimmable
- Aluminum body, 110°+ beam angle
- Excellent illuminating uniformity is accomplished with the use of our polymer diffusing lens and acrylic covered-optics
- Damp location rated

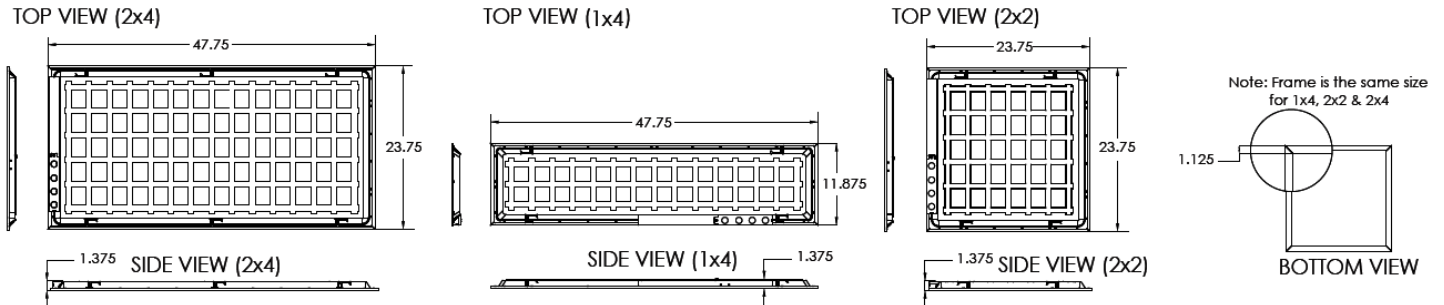
Warranty

- 5-year limited warranty in commercial use from the date of purchase
- Operating temperature range between -20°C and +40°C



Clip For recessed grid ceiling installations, our mounting clips may be used to securely mount the RGD-BLP luminaire to the T-Bar frame or as to act as suspension points.

Dimensional drawing



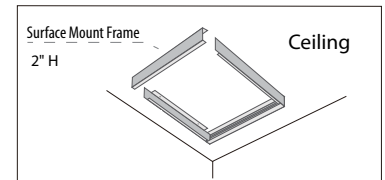
Ordering Information Example: RGD-BLP2/22/MW/MK/120-347/D

| Family Name | Fixture Type | Size | Wattage | CCT (Kelvin) | Voltage | Dimmable |
|-------------|----------------------|------------|---------------------|--------------|----------|-------------|
| RGD (Rigid) | BLP2 (Backlit Panel) | 22 (2'x2') | 40W-36W-30W (2'x2') | 35-40-50K | 120-347V | D |
| | | 14 (1'x4') | 40W-36W-30W (1'x4') | | | (0-10V Dim) |
| | | 24 (2'x4') | 45W-40W-36W (2'x4') | | | |

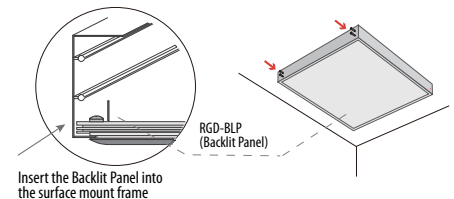
| | W | L | H |
|-------|---------|--------|--------|
| 2'x2' | 23.75" | 23.75" | 1.375" |
| 1'x4' | 11.875" | 47.75" | 1.375" |
| 2'x4' | 23.75" | 47.75" | 1.375" |

Product Specification

| Ordering Code | Model Number | Wattage (W) | Voltage (V) | Hour Rating | Initial Delivered Lumens (lumen) | CCT (K) | CRI | Case QTY. |
|---------------|-----------------------------|-------------|-------------|-------------|----------------------------------|-------------|-----|-----------|
| 3665311 | RGD-BLP2/22/MW/MK/120-347/D | 40-36-30W | 120-347V | 50,000 | 5000-4500-3750 | 35K-40K-50K | >80 | 2 |
| 3665312 | RGD-BLP2/14/MW/MK/120-347/D | 40-36-30W | 120-347V | 50,000 | 5000-4500-3750 | 35K-40K-50K | >80 | 2 |
| 3665313 | RGD-BLP2/24/MW/MK/120-347/D | 45-40-36W | 120-347V | 50,000 | 5625-5000-4500 | 35K-40K-50K | >80 | 2 |



| Ordering Code | Model Number | Description | Ordering Code | Model Number | Description |
|---------------|-------------------|---------------------------------|---------------|-------------------|---|
| 3660148 | RGD-BLP/22/FRM/WH | Surface Mount Frame 2'x2' White | 3660149 | RGD-BLP/14/FRM/WH | Surface Mount Frame 1'x4' White |
| 3660150 | RGD-BLP/24/FRM/WH | Surface Mount Frame 2'x4' White | 3660151 | RGD-BLP/SUSP | Suspension Kits, (2 10' AC Cable Hangers per Kit) |





LED FIXTURE

RIGID Series

LED Flat Panel RGD-FP2

Ultra Slim LED Flat Panel Luminaire



Features & Benefits

CETL listed, DLC Premium*

CRI >80

Ultra slim design, no UV & IR emission

3 Convenient sizes

120-347V LED Driver, PF >0.95, 125Lm/W

L70 @ 75,000 Hrs

0-10V Dimmable

Aluminum frame, PMMA Opal lens

110° Beam spread

Excellent illuminating surface uniformity

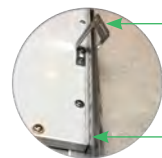
Large wiring box

Warranty

5-year limited warranty in commercial use from the date of purchase

Operating temperature range between -20°C and +60°C

* DLC under qualifying process Q2, 2019



Clip

T-Bar

For recessed grid ceiling installations, our 4 mounting clips may be used to securely mount the RGD-FP luminaire to the T-Bar frame or as to act as suspension points.

Dimensional drawing



| | L | W | H |
|-------|---------|---------|--------|
| 2'x2' | 23 3/4" | 23 3/4" | 2 1/4" |
| 1'x4' | 11 3/4" | 47 3/4" | 2 1/4" |
| 2'x4' | 23 3/4" | 47 3/4" | 2 1/4" |

Ordering Information Example: PRO-FP2/22/36W/35/120-347V/D

| Family Name | Fixture Type | Size | Wattage | CCT (Kelvin) | Voltage | Dimmable |
|-------------|------------------|------------|---------|--------------|----------|---------------|
| RGD (Rigid) | FP2 (Flat Panel) | 22 (2'x2') | 36W | 35 (3500K) | 120-347V | D (0-10V Dim) |
| | | 14 (1'x4') | 30W | 40 (4000K) | | |
| | | 24 (2'x4') | 40W | 50 (5000K) | | |

Product Specification

| Ordering Code | DLC Premium | Model Number | Wattage (W) | Input Voltage (V) | Hour Rating | Initial Delivered Lumens (lumen) | CCT (K) | CRI | Dimension (inch) | Case QTY. |
|---------------|-------------|------------------------------|-----------------------------|-------------------|-------------|----------------------------------|---------|-----|------------------|-----------|
| 3665234 | Yes | RGD-FP2/22/36W/35/120-347V/D | 36 | 120-347V | 75,000 | 4,500 | 3500 | >80 | 24X24 | 2 |
| 3665235 | Yes | RGD-FP2/22/36W/40/120-347V/D | 36 | 120-347V | 75,000 | 4,500 | 4000 | >80 | 24X24 | 2 |
| 3665238 | Yes | RGD-FP2/22/36W/50/120-347V/D | 36 | 120-347V | 75,000 | 4,500 | 5000 | >80 | 24X24 | 2 |
| 3664209 | Yes | RGD-FP2/14/30W/35/120-347V/D | 30 | 120-347V | 75,000 | 3,750 | 3500 | >80 | 12X48 | 2 |
| 3664210 | Yes | RGD-FP2/14/30W/40/120-347V/D | 30 | 120-347V | 75,000 | 3,750 | 4000 | >80 | 12X48 | 2 |
| 3664211 | Yes | RGD-FP2/14/30W/50/120-347V/D | 30 | 120-347V | 75,000 | 3,750 | 5000 | >80 | 12X48 | 2 |
| 3665236 | Yes | RGD-FP2/24/40W/35/120-347V/D | 40 | 120-347V | 75,000 | 5,000 | 3500 | >80 | 24X48 | 1 |
| 3665237 | Yes | RGD-FP2/24/40W/40/120-347V/D | 40 | 120-347V | 75,000 | 5,000 | 4000 | >80 | 24X48 | 1 |
| 3665239 | Yes | RGD-FP2/24/40W/50/120-347V/D | 40 | 120-347V | 75,000 | 5,000 | 5000 | >80 | 24X48 | 1 |
| 3660088 | - | RGD-FP2/14/FRM/WH | 1' x 4' surface mount frame | | | | | | | |
| 3660087 | - | RGD-FP2/22/FRM/WH | 2' x 2' surface mount frame | | | | | | | |
| 3660089 | - | RGD-FP2/24/FRM/WH | 2' x 4' surface mount frame | | | | | | | |

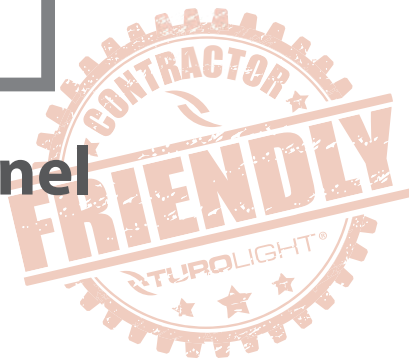


LED FIXTURE

RIGID Series

LED Flat Panel PRO-FP2

Ultra Slim LED Flat Panel Luminaire



Features & Benefits

CUL listed, DLC*

CRI >80

Ultra slim design, no UV & IR emission

3 Convenient sizes

120-277V LED Driver, PF >0.95

L70 @ 50,000 Hrs

Large wiring box

0-10V Dimmable

Aluminum frame, PMMA Opal lens

120° Beam spread

Excellent illuminating surface uniformity

Warranty

5-year limited warranty in commercial use from the date of purchase

Operating temperature range between -20°C and +60°C

* DLC under qualifying process Q1, 2020

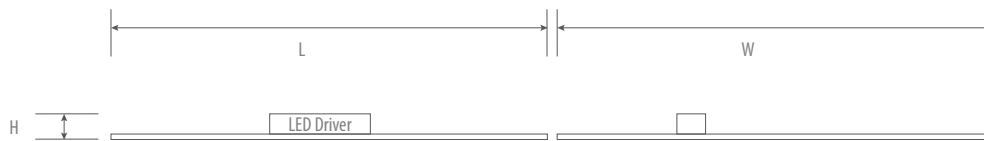
Applications

Commercial/ Industrial/ Retail location

For use in Offices, Stores, Bank, Airport, Show-room, Restaurant etc.

Installation suspension/ surface mounted/ recessed drywall & T-Bar applicable

Dimensional drawing



| | L | W | H |
|-------|---------|---------|----|
| 2'x2' | 23 3/4" | 23 3/4" | 2" |
| 1'x4' | 11 3/4" | 47 3/4" | 2" |
| 2'x4' | 23 3/4" | 47 3/4" | 2" |

Ordering Information Example: PRO-FP/22/40W/10/UNV/D

| Family Name | Fixture Type | Size | Wattage | CCT (Kelvin) | Voltage | Dimmable |
|-------------|------------------|------------|---------|--------------|----------------|---------------|
| PRO | FP2 (Flat Panel) | 14 (1'x4') | 40W | 40 (4000K) | UNV (120-277V) | D (0-10V Dim) |
| | | 22 (2'x2') | 40W | | | |
| | | 24 (2'x4') | 50W | | | |

Product Specification

| Ordering Code | DLC | Model Number | Wattage (W) | Input Voltage (V) | Hour Rating | Initial Delivered Lumens (lumen) | CCT (K) | CRI | Dimension (inch) | Case QTY. |
|---------------|-----|-------------------------|-------------|-------------------|-------------|----------------------------------|---------|-----|------------------|-----------|
| 3665158 | Yes | PRO-FP2/22/40W/40/UNV/D | 40 | 120-277V | 50,000 | 4000 | 4000 | >80 | 24X24 | 2 |
| 3665159 | Yes | PRO-FP2/14/40W/40/UNV/D | 40 | 120-277V | 50,000 | 4000 | 4000 | >80 | 12X48 | 2 |
| 3665160 | Yes | PRO-FP2/24/50W/40/UNV/D | 50 | 120-277V | 50,000 | 5000 | 4000 | >80 | 24X48 | 1 |



LED FIXTURE

RIGID Series



LED Centre Basket RGD-CB2

Recessed commercial grade lay-in luminaire, clean contemporary low glare design
Multiple Wattage - Multiple Kelvin



Features & Benefits

| | |
|---|------------------------------|
| 120-347V LED auto-sensing driver | cUL listed, DLC Premium |
| Multiple Wattage and Multiple Kelvin (CCT) | L70 @ 100,000 Hrs |
| PMMA lens offers clean look low glare | 0-10V Dimmable |
| Range of sizes (1'x4', 2'x2', 2'x4' available) | High CRI (80+) |
| High quality metal construction in white powder coat finish | Damp location rated, Type IC |

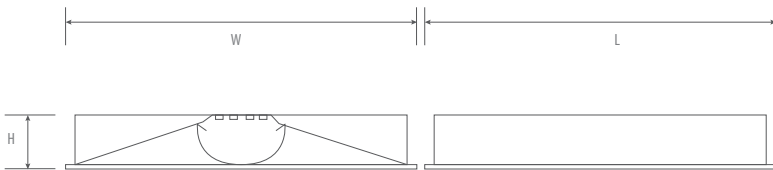
Warranty

| |
|---|
| 5-year limited warranty in commercial use from the date of purchase |
| Operating temperature range between -20°C and +50°C |

Applications

Commercial/ Industrial/ Retail location
For use in Offices, Stores, Schools, Medical building where ever quality light is required.

Dimensional drawing



| | L | W | H |
|-------|---------|---------|--------|
| 2'x2' | 23 3/4" | 23 3/4" | 2 3/4" |
| 2'x4' | 47 3/4" | 23 3/4" | 2 3/4" |
| 1'x4' | 47 3/4" | 11 3/4" | 2 3/4" |

Ordering Information Example: RGD-CB2/22/MW/MK/120-347/D

| Family Name | Fixture Type | Size | Wattage | CCT (Kelvin) | Voltage | Dimmable |
|-------------|---------------------|--|---|--------------|----------|---------------|
| RGD (Rigid) | CB2 (Backlit Panel) | 22 (2'x2') 14 (1'x4') 24 (2'x4') | 40W-36W-30W (2'x2') 40W-36W-30W (1'x4') 45W-40W-36W (2'x4') | 35-40-50K | 120-347V | D (0-10V Dim) |

Product Specification

| Ordering Code | DLC Premium | Model Number | Wattage (W) | Input Voltage (V) | Hour Rating | Initial Delivered Lumens (lumen) | CCT (K) | CRI | Dimension (inch) | Case QTY. |
|---------------|-------------|-----------------------------|-------------|-------------------|-------------|----------------------------------|-------------|-----|-------------------|-----------|
| 3664303 | Yes | RGD-CB2/14/MW/MK/120-347V/D | 30-25-20W | 120-347V | 50,000 | 3750-3125-2500 | 35K-40K-50K | >80 | 11 3/4" x 47 3/4" | 1 |
| 3664304 | Yes | RGD-CB2/22/MW/MK/120-347V/D | 30-25-20W | 120-347V | 50,000 | 3750-3125-2500 | 35K-40K-50K | >80 | 23 3/4" x 23 3/4" | 1 |
| 3664305 | Yes | RGD-CB2/24/MW/MK/120-347V/D | 45-38-34W | 120-347V | 50,000 | 5625-4750-4250 | 35K-40K-50K | >80 | 23 3/4" x 47 3/4" | 1 |



LED FIXTURE

RIGID Series



LED Centre Basket RGD-CB

Recessed commercial grade lay-in luminaire, clean contemporary low glare design, incorporating switchable CCT.



Features & Benefits

110-347V LED auto-sensing driver

Switchable CCT (30K/ 35K/ 40K)*

PMMA lens offers clean look low glare

Range of sizes (1'x4', 2'x2', 2'x4' available)

High quality metal construction in white powder coat finish

* 50K for specific applications available

DLC approved

L70 @ 50,000 Hrs

0-10V Dimmable

High CRI (80+)

Warranty

5-year limited warranty in commercial use from the date of purchase

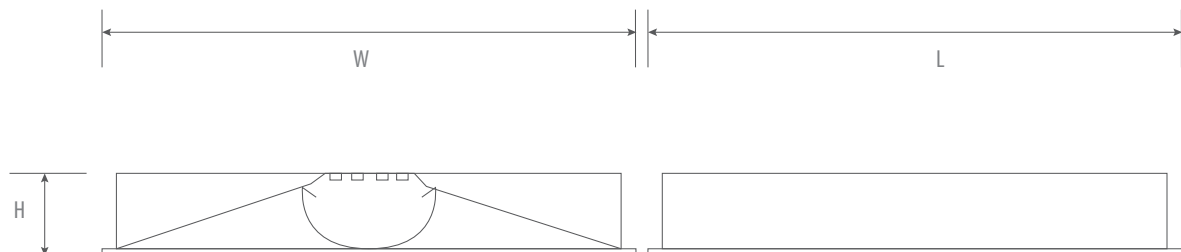
Operating temperature range between -20°C and +40°C

Applications

Commercial/ Industrial/ Retail location

For use in Offices, Stores, Schools, Medical building where ever quality light is required.

Dimensional drawing



| | L | W | H |
|-------|---------|---------|--------|
| 2'x2' | 23 3/4" | 23 3/4" | 2 3/4" |
| 2'x4' | 47 3/4" | 23 3/4" | 2 3/4" |
| 1'x4' | 47 3/4" | 11 3/4" | 2 3/4" |



LED Centre Basket

RGD-CB

Ordering Information Example: RGD-CB/22/24W/MULTI-K/110-347V

| Family Name | Fixture Type | Size | Wattage | CCT (Kelvin) | Voltage | Options |
|-------------|--------------------|------------|------------|---|----------|---------|
| RGD (Rigid) | CB (Centre Basket) | 22 (2'x2') | 24W 30W | MULTI-K (Multiple CCT, 30K/35K/40K Switchable) 50 (50K) | 110-347V | |
| | | 14 (1'x4') | 30W | | | |
| | | 24 (2'x4') | 37W 50W | | | |

Product Specification

| Ordering Code | DLC | Model Number | Wattage (W) | Input Voltage (V) | Hour Rating | Initial Lumens (lumen) | CCT (K) | CRI | Dimension (inch) | Case QTY. |
|---------------|-----|--------------------------------|-------------|-------------------|-------------|------------------------|-------------|-----|------------------|-----------|
| 3664200 | Yes | RGD-CB/22/24W/MULTI-K/110-347V | 24 | 110-347V | 50,000 | 3,100 | 30K,35K,40K | >80 | 24X24 | 1 |
| 3664201 | Yes | RGD-CB/22/30W/MULTI-K/110-347V | 30 | 110-347V | 50,000 | 3,700 | 30K,35K,40K | >80 | 24X24 | 1 |
| 3665219 | Yes | RGD-CB/24/37W/MULTI-K/110-347V | 37 | 110-347V | 50,000 | 4,500 | 30K,35K,40K | >80 | 24X48 | 1 |
| 3665220 | Yes | RGD-CB/24/50W/MULTI-K/110-347V | 50 | 110-347V | 50,000 | 6,000 | 30K,35K,40K | >80 | 24X48 | 1 |
| 3664202 | Yes | RGD-CB/22/30W/50/110-347V | 30 | 110-347V | 50,000 | 3,700 | 50K | >80 | 24X24 | 1 |
| 3665221 | Yes | RGD-CB/24/50W/50/110-347V | 50 | 110-347V | 50,000 | 6,000 | 50K | >80 | 24X48 | 1 |
| 3664300 | Yes | RGD-CB/14/30W/MULTI-K/110-347V | 30 | 110-347V | 50,000 | 3,930 | 30K,35K,40K | >80 | 12X48 | 1 |



LED FIXTURE

RIGID Series



LED Commercial Downlight RGD-CDF

Designed to replace traditional CFL fixtures.
Wide range of lumen packages and aperture sizes for every application.
No voltage guess work, 120-347V Auto-Sensing Driver.
Multiple Wattage and Multiple Kelvin Selection



Features & Benefits

| | |
|---|-------------------------------------|
| Energy Star approved, cUL listed | 120V-347V Auto-Sensing Driver |
| Switchable CCT (30K/35K/40K), Switchable Wattage | 0-10V Dimming |
| Range of sizes (4", 6", 8", 10" available) | Beam angle: 4" 95°, 6"-8"-10" 106°+ |
| Die-cast aluminum body material, White Finish | High CRI (90+) |
| L70 @ 50,000 HRS | Damp location rated |
| 24" flexible conduit w/ Strain relief, 15" Safety Cable | |

Applications

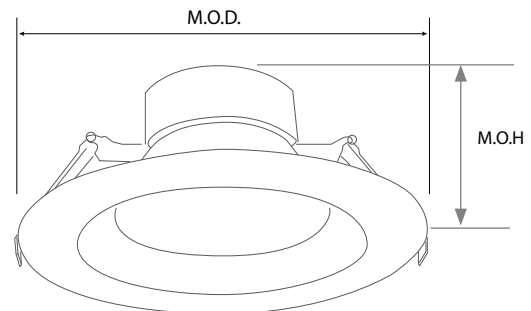
Residential / Commercial, Schools, Retirement Homes, University, Supermarkets, Shops, Hotels, Conference Rooms, Office Lighting, Show Room, Corridor, Kitchens, vestibules, wall niche and etc.

Warranty

5-year limited warranty in commercial use from the date of purchase
Operating temperature range between -20°C and +40°C

Dimensional drawing

| | Cut-out | M.O.D. | M.O.H |
|-------------------|---------|--------|-------|
| RGD-CDF/4 | 3.75" | 5.91" | 3.5" |
| RGD-CDF/6 | 6.0" | 8.29" | 4.0" |
| RGD-CDF/8 | 7.5" | 10.26" | 4.25" |
| RGD-CDF/10 | 8.5" | 11.28" | 4.75" |



Product Specification

| Ordering Code | Model Number | Wattage (W) | Input Voltage (V) | Hour Rating | Initial Delivered Lumens (lumen) | CCT (K) | CRI | Damp Location | M.O.D (inch) | Case QTY. |
|---------------|---------------------------------|-------------|-------------------|-------------|----------------------------------|----------|-----|---------------|--------------|-----------|
| 3662223 | RGD-CDF/4/12W/MK9/120-347V/WH/D | 12 | 120-347V | 50,000 | 930 | 30-35-40 | ≥90 | Yes | 5.91" | 6 |
| 3662224 | RGD-CDF/6/MW/MK9/120-347V/WH/D | 10-12-17 | 120-347V | 50,000 | 800-1000-1400 | 30-35-40 | ≥90 | Yes | 8.29" | 6 |
| 3662225 | RGD-CDF/8/MW/MK9/120-347V/WH/D | 14-17-20 | 120-347V | 50,000 | 1200-1450-1750 | 30-35-40 | ≥90 | Yes | 10.26" | 6 |
| 3662226 | RGD-CDF/10/MW/MK9/120-347V/WH/D | 30-35-40 | 120-347V | 50,000 | 2300-2700-3150 | 30-35-40 | ≥90 | Yes | 11.28" | 6 |

Ordering Information Example: RGD-CDF/10/MW/MK9/120-347V/WH/D

| Family Name | Fixture Type | Size | Wattage | CCT (Kelvin) | Voltage | Finish | Dimmable |
|-------------|-------------------------------|--|---------------------------|-----------------|----------|------------|--------------|
| RGD (Rigid) | CDF (Commercial Downlight) | 4 (4") 6 (6") 8 (8") 10 (10") | 12W MW (Multi Wattage) | MK9 (Multi CCT) | 120-347V | WH (White) | D (Dimmable) |



Round Frame

Square Frame

LED FIXTURE
RIGID series



LED MULTI SPOTLIGHT

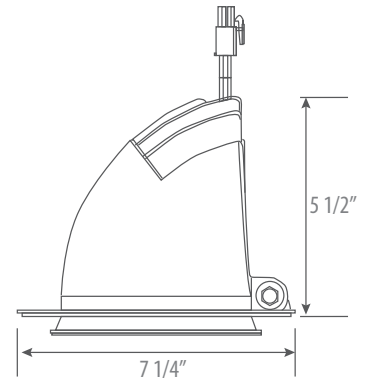
Design for accent lighting, general lighting and vertical lighting



RGD-LAD



Dimensional drawing



Features & Benefits

| | |
|--|---|
| Anti-glare design, square frame optional | Up to 100lm/W |
| Beam angle: 24°, 38°, 60° and 80°x45° | 350° gimbal and 50° adjustable |
| Ultra low glare light with shielding angle 15° | High power factor over 0.95 |
| High CRI 82+ | Type Non IC, for commercial new construction building |

Warranty

5-year limited warranty in commercial use from the date of purchase
 Operating temperature range between -20°C and +40°C
 Energy Star, ETL listed

Applications

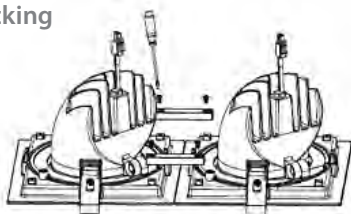
Residential, Retail, Art Gallery, Museum, Automotive and Parking, Hospitality, Offices and Banks, etc.

Product Specification

| Energy Star | Model Number | Size* | Wattage (W) | Input Voltage (V) | CCT Optial | Beam Angle | Power Factor | Dimmable | Lumen Flux | CRI Optial |
|-------------|----------------------------------|--|-------------|-------------------|------------|------------------------|--------------|-------------------|------------|------------|
| Yes | RGD-LAD/6/21W/120/30K/38/RD/D/WH | 6" DIA | 21 | 120 | 3000K | 24°, 38°, 60°, 80°x45° | >0.95 | Triac/ELV(option) | 2,050lm | CRI82 |
| Yes | RGD-LAD/6/43W/120/30K/60/RD/D/WH | 6" DIA | 43 | 120 | 3000K | 24°, 38°, 60°, 80°x45° | >0.95 | 1-10V Dim | 4,000lm | CRI82 |
| | RGD-LAD/SQ | Square frame 6.88" x 6.88", square frame sold separately (field install) | | | | | | | | |
| | RGD-LAD/JOINER | 1 set per square frame | | | | | | | | |

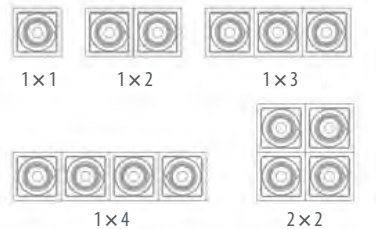
*Cut out 6 11/16"

Docking



Make sure the frame are at the same direction.
Screw the docking blocks to fix the frame

Finished



Ordering Information

Example: RGD-LAD/6/22W/120/30K/38/RD/D/WH

| FAMILY NAME | FIXTURE TYPE | SIZE | WATTAGE | INPUT VOLTAGE (V) | CCT | BEAM ANGLE | FRAME | DIMMABLE | COLOR FINISH |
|-------------|--|--------|--------------|-------------------|-----|------------|---------------------------|----------|--------------|
| RGD (Rigid) | LAD (Linkable, Adjustabl Downlight) | 6 (6") | 21W 43W** | 120 | 30K | 38 | RD (Round) SQ (Square) | D | WH (White) |

**43W 1-10V Dim, non IC



LED FIXTURE

RIGID Series

LED 3" DOWNLIGHT

RGD-SMT

3" Dimmable LED Downlight



with surface trim

with deep trim

Features & Benefits

cETL rated, Type IC rated

6W 480lm, 8W 700lm, 12W 1000lm and 13W 820lm selection

3000K (6W, 8W & 12W), DIM-to-Warm 2000K-3000K(13W)

120V Input, PF>0.9

Brush Nickel, White or Black trim

TRIAC/ ELV (10-100%) dimming, beam angle 38°

High CRI (82+), CRI (95+) for 13W

L70@ 50000 Hrs

Damp location approved

Warranty

5-year limited warranty in commercial use from the date of purchase

Operating temperature range between -20°C and +40°C

Applications

Residential / Commercial, Schools, Retirement Homes, University, Supermarkets, Shops, Hotels, Conference Rooms, Office Lighting, Show Room, Corridor, Kitchens etc.

Surface Trims

RGD-SMT/531 IP20



RGD-SMT/531 IP65



RGD-SMT/532 IP20



RGD-SMT/532 IP65



Deep Trims

RGD-SMT/591



RGD-SMT/592



RGD-SMT/593



RGD-SMT/594





LED 3" DOWNLIGHT

RGD-SMT

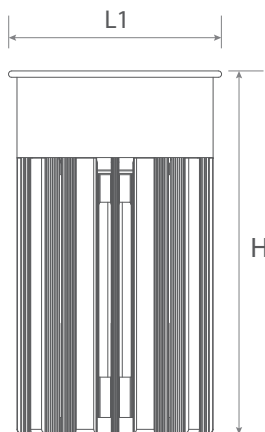
Ordering Information Example: RGD-SMT/3/6W/30/120/38/D

| Family Name | Fixture Type | Size | Wattage | CCT (Kelvin) | Voltage (V) | Beam Angle | Dimmable | Trim |
|-------------|--------------------------------------|--------|------------------------|--|-------------|------------|---|----------------|
| RGD (Rigid) | SMT (Module & Driver, Down Light) | 3 (3") | 6W 8W 12W 13W | 30 (3000K) 13W, (2000K-3000K Dim to Warm) | 120 (120V) | 38 (38°) | D (TRIAC/ ELV (10-100%)) DTW (2000K-3000K Dim to Warm) | Refer to Chart |

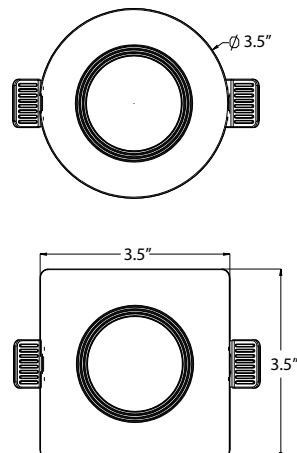
Product Specification

| Ordering Code | Model Number | Description | Wattage (W) | Voltage (V) | Hour Rating | Initial Lumens (lumen) | CCT (K) | CRI | Damp Location | Case QTY. | |
|---------------|-----------------------------|---|---|-------------|-------------|------------------------|-----------|-----|---------------|-----------|--|
| 3662140 | RGD-SMT/3/6W/30/120/38/D | 3" Recess Module & Driver, Down Light, 6W, 30K, Dimmable, FT4 Cable | 6 | 120 | 50,000 | 480 | 3000 | 82 | Yes | 12 | |
| 3662141 | RGD-SMT/3/8W/30/120/38/D | 3" Recess Module & Driver, Down Light, 8W, 30K, Dimmable, FT4 Cable | 8 | 120 | 50,000 | 700 | 3000 | 82 | Yes | 12 | |
| 3662142 | RGD-SMT/3/12W/30/120/38/D | 3" Recess Module & Driver, Down Light, 12W, 30K, Dimmable, FT4 Cable | 12 | 120 | 50,000 | 1000 | 3000 | 82 | Yes | 12 | |
| 3662143 | RGD-SMT/3/13W/30/120/38/DTW | 3" Recess Module & Driver, Down Light, 13W, 30K, Dim to Warm, FT4 Cable | 13 | 120 | 50,000 | 820 | 2000-3000 | 95 | Yes | 12 | |
| 3660098 | RGD-SMT/531/BN | 3" Dia. Brushed Nickel, Adjustable Trim, Damp Location, IP20, IC Rated | <p>Surface trims (3.2" cut-out)</p>  | | | | | | | | |
| 3660099 | RGD-SMT/531/WH | 3" Dia. White, Adjustable Trim, Damp Location, IP20, IC Rated | | | | | | | | | |
| 3660127 | RGD-SMT/531/BK | 3" Dia. Black, Adjustable Trim, Damp Location, IP20, IC Rated | | | | | | | | | |
| 3660100 | RGD-SMT/531/WP/BN | 3" Dia. Brushed Nickel, Fixed Trim, Wet Location, IP65, IC Rated | | | | | | | | | |
| 3660101 | RGD-SMT/531/WP/WH | 3" Dia. White, Fixed Trim, Wet Location, IP65 | | | | | | | | | |
| 3660128 | RGD-SMT/531/WP/BK | 3" Dia. Black, Fixed Trim, Wet Location, IP65 | | | | | | | | | |
| 3660102 | RGD-SMT/532/BN | 3" SQ. Brushed Nickel, Adjustable Trim, Damp Location, IP20, IC Rated | | | | | | | | | |
| 3660103 | RGD-SMT/532/WH | 3" SQ. White, Adjustable Trim, Damp Location, IP20, IC Rated | | | | | | | | | |
| 3660129 | RGD-SMT/532/BK | 3" SQ. Black, Adjustable Trim, Damp Location, IP20, IC Rated | | | | | | | | | |
| 3660104 | RGD-SMT/532/WP/BN | 3" SQ. Brushed Nickel, Fixed Trim, Wet Location, IP65, IC Rated | | | | | | | | | |
| 3660105 | RGD-SMT/532/WP/WH | 3" SQ. White, Fixed Trim, Wet Location, IP65, IC Rated | <p>Deep trims (3.2" cut-out)</p>  | | | | | | | | |
| 3660130 | RGD-SMT/532/WP/BK | 3" SQ. Black, Fixed Trim, Wet Location, IP65, IC Rated | | | | | | | | | |
| 3660106 | RGD-SMT/591/WH | 3" Dia. White, Adjustable Regressed Open Trim, Damp Location, IP20, IC Rated | | | | | | | | | |
| 3660107 | RGD-SMT/592/WH | 3" Dia. White, Adjustable Regressed Pinhole Trim, Damp Location, IP20, IC Rated | | | | | | | | | |
| 3660108 | RGD-SMT/593/WH | 3" Dia. White, Adjustable Regressed Wallwash Trim, Damp Location, IP20, IC Rated | | | | | | | | | |
| 3660109 | RGD-SMT/594/WH | 3" Dia. White, Adjustable Regressed Slot Hole Trim, Damp Location, IP20, IC Rated | | | | | | | | | |

Module & Trim Dimensional Drawing



| | M.O.L1 | H |
|-----|--------|-------|
| 6W | 1.97" | 1.98" |
| 8W | 1.97" | 1.98" |
| 12W | 1.97" | 3.36" |
| 13W | 1.97" | 3.36" |





LED FIXTURE

RIGID Series

LED 4" GIMBAL RGD-CHY/4

4" gimbal light, CCT switchable



Packaging Inside



Features & Benefits

3 Colour temperature switchable (3000K, 4000K, 5000K)

Available in Brush Nickel, Black and White

8W, 700lm

120V Input, PF>0.94

Adjustable with 360° rotation

Beam angle 40°

TRIAC dimmable

High CRI (80+)

Type IC rated, FT4 cable

L70@ 39000hrs

Damp location approved

Default with 4" trim, 3" trim sold separately

Warranty

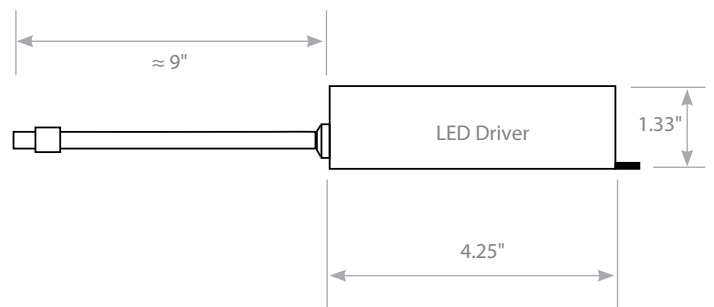
5-year limited warranty in commercial use from the date of purchase

Operating temperature range between -20°C and +40°C

Applications

Residential / Commercial, Schools, Retirement Homes, University, Supermarkets, Shops, Hotels, Conference Rooms, Office Lighting, Show Room, Corridor, Kitchens etc.

Dimensional drawing



| | H | Cut Out Size |
|----------------|-------|--------------|
| 3" Trim | 1.8" | 2.6" |
| 4" Trim | 2.25" | 2.6" |




LED 4" GIMBAL

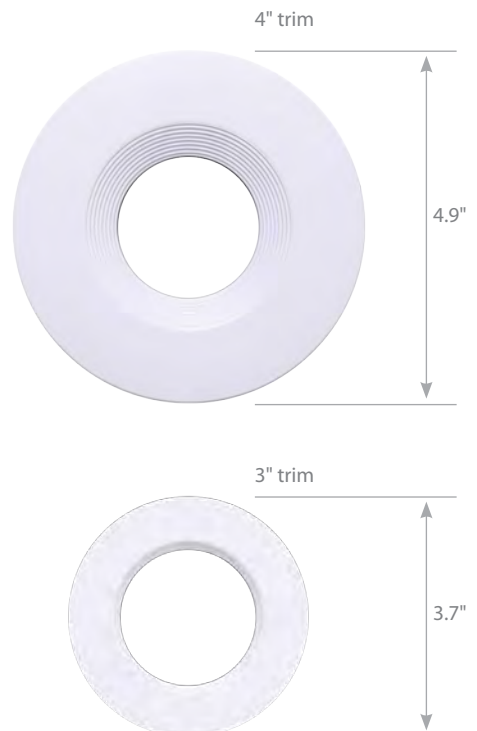
RGD-CHY/4

Ordering Information Example: RGD-CHY/4/8W/MULTI-K/WH/D

| Family Name | Fixture Type | Trim Size | Wattage | CCT (Kelvin) | Dimmable |
|-------------|--|-----------|---------|---|--------------------|
| RGD (Rigid) | CHY (Module & Driver, Gimbal Light) | 4 (4") | 8W | MULTI-K (3000K, 4000K, 5000K Switchable) | D (TRIAC Dimmable) |

Product Specification

| Ordering Code | Model Number | Description | Wattage (W) | Voltage (V) | Hour Rating | Lumens (lm) | CCT (K) | CRI | Damp Location | Case QTY. |
|---------------|----------------------------|---|---|-------------|-------------|-------------|----------|-----|---------------|-----------|
| 3662146 | RGD-CHY/4/8W/MULTI-K/WH/D | RIGID 4" Dia. White, Gimbal Module & Trim, Selectable CCT, Triac Dimmable, 120V, 40 Deg. FT4 Cable | 8 | 120 | 39,000 | 700 | 30/40/50 | ≥80 | Yes | 40 |
| 3662147 | RGD-CHY/4/8W/MULTI-K/BN/D | RIGID 4" Dia. Brushed Nickel, Gimbal Module & Trim, Selectable CCT, Triac Dimmable, 120V, 40 Deg. FT4 Cable | 8 | 120 | 39,000 | 700 | 30/40/50 | ≥80 | Yes | 40 |
| 3662148 | RGD-CHY/4/8W/MULTI-K/BLK/D | RIGID 4" Dia. Black, Gimbal Module & Trim, Selectable CCT, Triac Dimmable, 120V, 40 Deg. FT4 Cable | 8 | 120 | 39,000 | 700 | 30/40/50 | ≥80 | Yes | 40 |
| 3660124 | RGD-CHY/3/TRIM/WH | RIGID 3" Dia. White Trim |  | | | | | | | |
| 3660125 | RGD-CHY/3/TRIM/BN | RIGID 3" Dia. Brushed Nickel Trim | | | | | | | | |
| 3660126 | RGD-CHY/3/TRIM/BLK | RIGID 3" Dia. Black Trim | | | | | | | | |



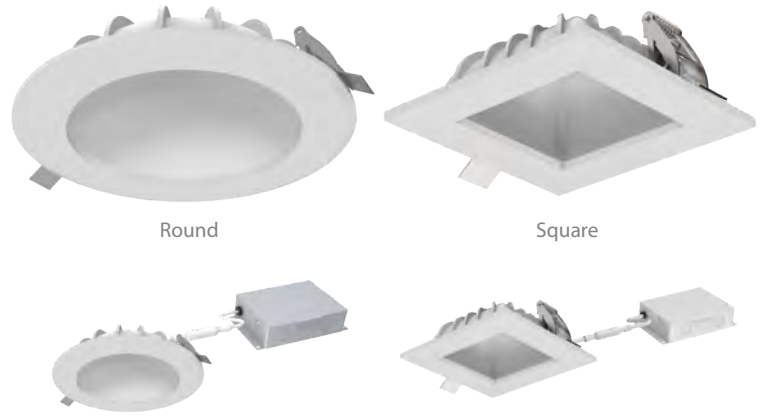


LED FIXTURE

RIGID Series

LED Ceiling Dome Light RGD-CD

LED 4" & 6" ceiling dome light, round / square shape



Round

Square



Features & Benefits

- cETL listed
- Special design to reduce glare for a better quality of light
- Gentle light comes out after being redirected off of the reflector lighting without a visible light source
- Die-cast aluminum body material with good heat dissipation
- White, Black Finish available

- L70 @ 50,000 HRS
- 120V
- Triac dimming
- High CRI (80+)
- Damp location rated (with feed through wiring)
- Independent drive junction box, with quick connects FT4 cable

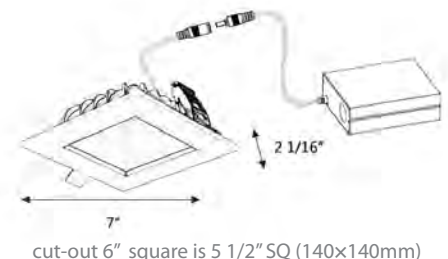
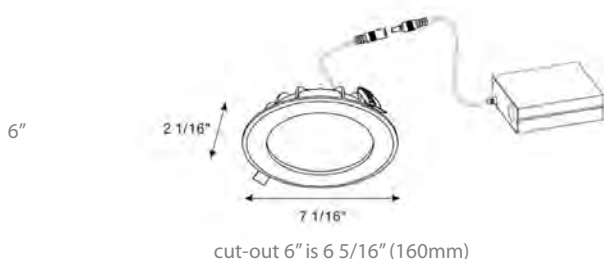
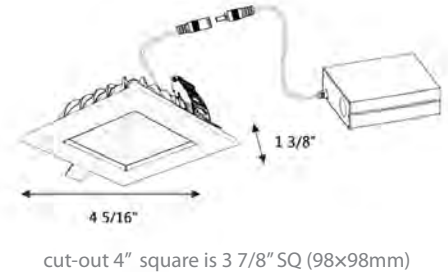
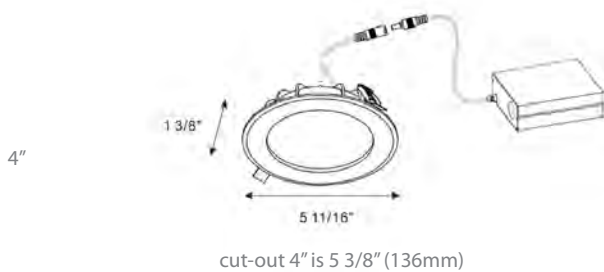
Warranty

- 3-year limited warranty in commercial use from the date of purchase
- Operating temperature range between -20°C and +40°C

Applications

Residential / Commercial, Schools, Retirement Homes, University, Supermarkets, Shops, Hotels, Conference Rooms, Office Lighting, Show Room, Corridor, Kitchens, vestibules, wall niche and etc.

Dimensional drawing





LED Ceiling Dome Light

RGD-CD

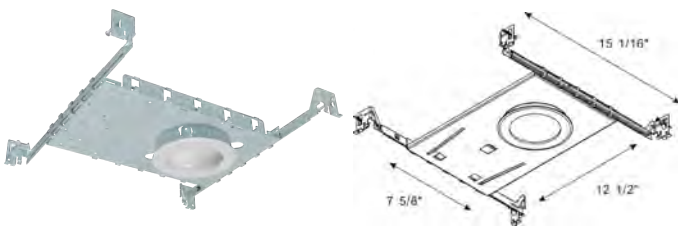
Ordering Information Example: RGD-CD/4/10W/30/D/WH

| Family Name | Fixture Type | Size | Shape | Wattage | CCT | Dimmable | Body Finish | Options |
|-------------|-------------------|------------------|-----------------------------|------------|------------|--------------|--------------------------|--|
| RGD (Rigid) | CD (Ceiling Dome) | 4 (4") 6 (6") | Blank (Round) S (Square) | 10W 14W | 30 (3000K) | D (Dimmable) | WH (White) BK (Black) | CD-NC4R CD-NC4S CD-NC6R CD-NC6S |

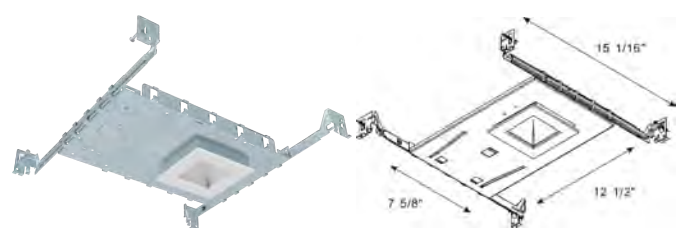
Product Specification

| Ordering Code | Model Number | Wattage (W) | Input Voltage (V) | Hour Rating | Initial Delivered Lumens (lumen) | CCT (K) | CRI | Damp Location* | M.O.D (inch) | M.O.H (inch) |
|---------------|------------------------|---|-------------------|-------------|----------------------------------|---------|-----|----------------|--------------|--------------|
| 3662128 | RGD-CD/4/10W/30/D/WH | 10 | 120V | 50,000 | 650 | 3000K | >80 | Yes | 5 11/16" | 1 3/8" |
| 3662129 | RGD-CD/6/14W/30/D/WH | 14 | 120V | 50,000 | 850 | 3000K | >80 | Yes | 7 1/16" | 2 1/16" |
| 3662130 | RGD-CD/4/S/10W/30/D/WH | 10 | 120V | 50,000 | 650 | 3000K | >80 | Yes | 4 5/16" | 1 3/8" |
| 3662131 | RGD-CD/6/S/14W/30/D/WH | 14 | 120V | 50,000 | 850 | 3000K | >80 | Yes | 7" | 2 1/16" |
| 3660064 | CD-NC4R | Ceiling dome light, new construction mounting plate for round 4" | | | | | | | | |
| 3660065 | CD-NC6R | Ceiling dome light, new construction mounting plate for round 6" | | | | | | | | |
| 3660066 | CD-NC4S | Ceiling dome light, new construction mounting plate for square 4" | | | | | | | | |
| 3660067 | CD-NC6S | Ceiling dome light, new construction mounting plate for square 6" | | | | | | | | |

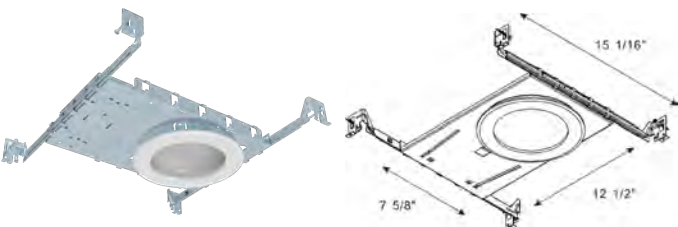
* Damp location rated (with feed through)



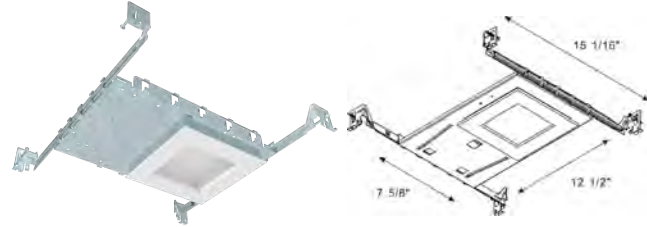
CD-NC4R



CD-NC4S



CD-NC6R



CD-NC6S



LED FIXTURE

RIGID Series

LED Downlight With J-Box RGD-DLJ

LED downlight with integral junction box for easy and fast installation



Features & Benefits

cETL listed, Energy Star

Size 6", 8" available

6" CRI ≥92, 97° Beam spread

8" CRI ≥81, 94° Beam spread

120V input voltage

Dimmable

L70 @ 50,000 Hrs

6" Wet location approved

8" Damp location approved

Warranty

5-year limited warranty in commercial use from the date of purchase

Operating temperature range between -20°C and +40°C

Product Specification

| Ordering Code | Energy Star | Model Number | Description | Wattage (W) | Input Voltage (V) | Hour Rating | Beam Angle | Initial Delivered Lumens (lumen) | CCT (K) | CRI | Wet Location | Damp Location | M.O.D. (inch) | Case QTY. |
|---------------|-------------|--------------------|--|-------------|-------------------|-------------|------------|----------------------------------|---------|-----|--------------|---------------|---------------|-----------|
| 3662106 | Y | RGD-DLJ/6/15W/30/D | Downlight with J-Box 6" 15W 30K Dimmable | 15 | 120 | 50,000 | 97° | 1000 | 3000 | 92 | Y | - | 7.3 | 12 |
| 3662107 | Y | RGD-DLJ/6/15W/35/D | Downlight with J-Box 6" 15W 35K Dimmable | 15 | 120 | 50,000 | 97° | 1000 | 3500 | 92 | Y | - | 7.3 | 12 |
| 3662108 | Y | RGD-DLJ/6/15W/40/D | Downlight with J-Box 6" 15W 40K Dimmable | 15 | 120 | 50,000 | 97° | 1050 | 4000 | 94 | Y | - | 7.3 | 12 |
| 3665117 | Y | RGD-DLJ/8/35W/30/D | Downlight with J-Box 8" 35W 30K Dimmable | 35 | 120 | 50,000 | 94° | 2600 | 3000 | 81 | - | Y | 9.1 | 6 |
| 3665118 | Y | RGD-DLJ/8/35W/35/D | Downlight with J-Box 8" 35W 35K Dimmable | 35 | 120 | 50,000 | 94° | 2600 | 3500 | 81 | - | Y | 9.1 | 6 |
| 3665119 | Y | RGD-DLJ/8/35W/40/D | Downlight with J-Box 8" 35W 40K Dimmable | 35 | 120 | 50,000 | 94° | 2700 | 4000 | 81 | - | Y | 9.1 | 6 |

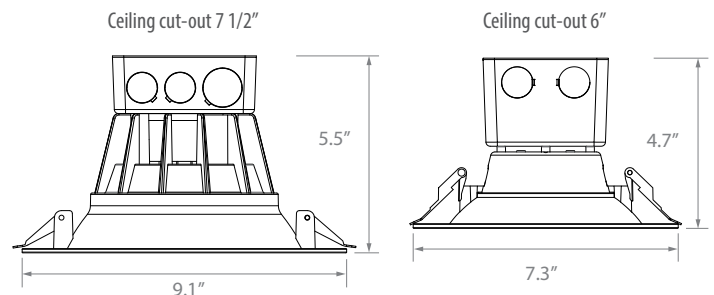
Applications

Residential / Institution Lighting, School, Colleges, University and Hospitals, Supermarkets, Shops, Hotels, Conference Rooms, Office Lighting, Show Room, Corridor, Kitchen Room and etc.

Ordering Information Example: RGD-DLJ/6/15W/30/D

| Family Name | Fixture Type | Size | Wattage | CCT (Kelvin) | Dimmable |
|-------------|-------------------------------|------------------|------------|--|-------------|
| RGD (Rigid) | DLJ (Downlight with J-Box) | 6 (6") 8 (8") | 35W 15W | 40 (4000K) 35 (3500K) 30 (3000K) | D(Dimmable) |

Dimensional drawing





LED FIXTURE

RIGID Series



LED Slim Panel

RGD-SP

Slim design switchable CCT, now 120V & 347V



Features & Benefits

- _____ Type IC Rated – approved for direct contact with insulation
- _____ Isolated internal driver in junction box – fast and easy to install
- _____ Switchable CCT (30K/40K/50K)
- _____ Range of sizes (4", 6", 8" available)
- _____ Finish Color White (Interchangeable trim ring for black or brushed nickel finish)
- _____ Wet location rated
- _____ J-Box c/w 3x3 wire quick connectors, allowing for easy through wiring

- _____ Energy Star approved
- _____ L70 @ 50,000 Hrs
- _____ 120V - TRIAC dimmable down to 10%, FT4 cable
- _____ 347V - Non dimmable, FT6 cable
- _____ High CRI (80+)
- _____ 120V / 347V LED Driver, PF>0.9
- _____ PC lens aluminium body
- _____ Beam angle 110°

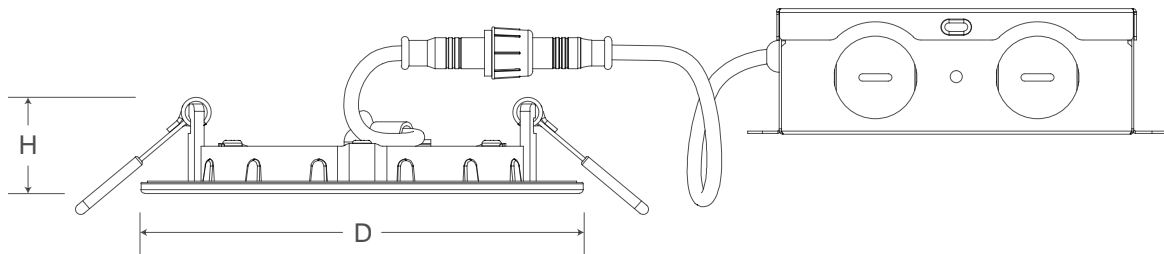
Warranty

- _____ 5-year limited warranty in commercial use from the date of purchase
- _____ Operating temperature range between -20°C and +40°C

Applications

Residential / Commercial, Schools, Retirement Homes, University, Supermarkets, Shops, Hotels, Conference Rooms, Office Lighting, Show Room, Corridor, Kitchens etc.

Dimensional drawing



| | M.O.D | Cut-Out | H |
|------|-------|---------|-------|
| SP/4 | 4.92" | 4" | 0.96" |
| SP/6 | 6.77" | 6.1" | 0.96" |
| SP/8 | 9.13" | 8.2" | 0.96" |



LED Slim Panel

RGD-SP

Ordering Information Example: RGD-SP/4/8W/MULTI-K/WH/D

| Family Name | Fixture Type | Size | Wattage | CCT (Kelvin) | Voltage | Finish Color | D | Options |
|-------------|-----------------|----------------------------|----------------------|---|----------------------|--------------|--------------|--|
| RGD (Rigid) | SP (Slim Panel) | 4 (4") 6 (6") 8 (8") | 8W 10.5W 24.5W | MULTI-K (Multiple CCT, 30K/40K/50K Switchable) | Blank (120V) 347V | WH (White) | D (Dimmable) | Black Trim Ring Brush Nickel Trim Ring (Sell seperately) |

Product Specification

| Ordering Code | ES | Model Number | Wattage (W) | Input Voltage (V) | Hour Rating | Initial Lumens (lumen) | CCT (K) Adjustable | CRI | Beam Angle | Wet Location | Dimmable | Dimension D×H (inch) | Case QTY. |
|---------------|-----|--------------------------------|--|-------------------|-------------|------------------------|--------------------|-----|------------|--------------|----------|----------------------|-----------|
| 3662134 | Yes | RGD-SP/4/8W/MULTI-K/WH/D | 8 | 120 | 50,000 | 650 | 30/40/50 | >80 | 110° | Yes | Y | 4.92" × 0.96" | 6 |
| 3662221 | Yes | RGD-SP/4/8W/MULTI-K/347V/WH | 8 | 347 | 50,000 | 650 | 30/40/50 | >80 | 110° | Yes | N | 4.92" × 0.96" | 6 |
| 3662135 | Yes | RGD-SP/6/10.5W/MULTI-K/WH/D | 10.5 | 120 | 50,000 | 1000 | 30/40/50 | >80 | 110° | Yes | Y | 6.77" × 0.96" | 6 |
| 3662222 | Yes | RGD-SP/6/10.5W/MULTI-K/347V/WH | 10.5 | 347 | 50,000 | 1000 | 30/40/50 | >80 | 110° | Yes | N | 6.77" × 0.96" | 6 |
| 3664130 | Yes | RGD-SP/8/24.5W/MULTI-K/WH/D | 24.5 | 120 | 50,000 | 2100 | 30/40/50 | >80 | 110° | Yes | Y | 9.13" × 0.96" | 6 |
| 3664212 | Yes | RGD-SP/8/24.5W/MULTI-K/347V/WH | 24.5 | 347 | 50,000 | 2100 | 30/40/50 | >80 | 110° | Yes | N | 9.13" × 0.96" | 6 |
| 3660094 | | RGD-SP/4/CCT/BK | RIGID 4" Slim Panel, Black Trim Ring for 3-CCT Selectable | | | | | | | | | 4.92" | |
| 3660095 | | RGD-SP/4/CCT/BN | RIGID 4" Slim Panel, Brush Nickel Trim Ring for 3-CCT Selectable | | | | | | | | | 4.92" | |
| 3662120 | | RGD-SP/6/BK | RIGID 6" Slim Panel, Black Trim Ring for 3-CCT Selectable | | | | | | | | | 6.77" | |
| 3662121 | | RGD-SP/6/BN | RIGID 6" Slim Panel, Brush Nickel Trim Ring for 3-CCT Selectable | | | | | | | | | 6.77" | |
| 3664113 | | RGD-SP/8/BK | RIGID 8" Slim Panel, Black Trim Ring for 3-CCT Selectable | | | | | | | | | 9.13" | |
| 3664115 | | RGD-SP/8/BN | RIGID 8" Slim Panel, Brush Nickel Trim Ring for 3-CCT Selectable | | | | | | | | | 9.13" | |



Pot Light Mult-Cutout Plate

PL-AMP-MULTI-V

Ordering Code: 3660147

One Plate for all Turolight 4 family recessed LED fixtures
(RGD-CHY, RGD-SMT, RGD-SP/4, PRO-SP2/4)

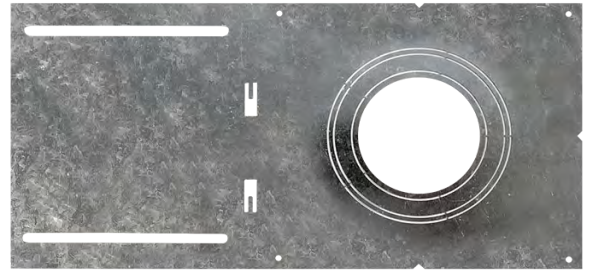
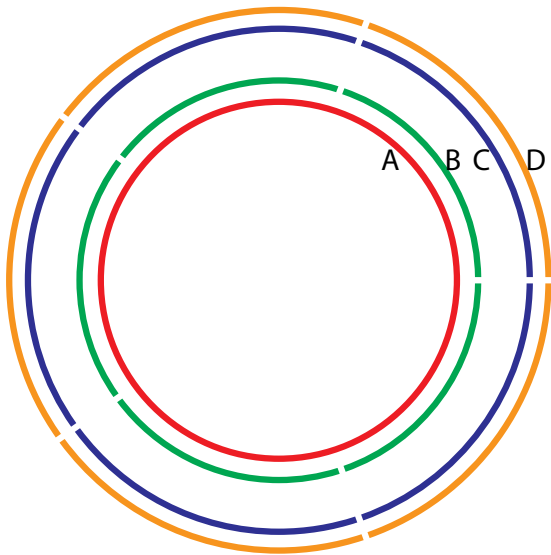


Plate dimensions 13.3" x 6.5"

One Plate for all Turolight 4 family recessed LED fixtures.



Easy K.O. type rings to achieve the desired cut-out.

■ A-Cutout for CHY Series (all) & SMT Series 53-Trims

■ B-Cutout for SMT Series 59-Trims

■ C--Cutout for RGD-SP/4/Multi-K Series
& RGD-CDF/4/MW/MK Series

■ D-Cutout for PRO-SP2/4 Series



LED 4" Gimbal
RGD-CHY/4



LED 3" Downlight
RGD-SMT



RGD-SMT/53 Series Trim

RGD-SMT/59 Series Trim



LED 4" Slim Panel
RGD-SP/4
PRO-SP2/4



LED 4" Commercial Downlight
RGD-CDF/4/MW/MK



LED FIXTURE

RIGID Series

LED Slim Panel PRO-SP2

Slim design allows it to be installed in low plenum ceilings.



Features & Benefits

- Type IC Rated – approved for direct contact with insulation, FT4 rated cable
- Isolated internal driver in junction box – fast and easy to install
- Finish colour white, damp location rated
- PC lens aluminium body, 120° beam angle

- Energy Star approved
- L70 @ 60000 Hrs, High CRI (80+)
- Dimmable Triac down to 10%
- PL-AMP4 mounting plate ordered separately

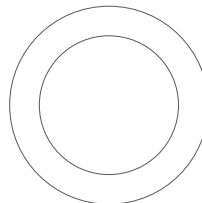
Warranty

- 3-year limited warranty
- Operating temperature range between -20°C and +40°C

Applications

Residential / Commercial, Schools, Retirement Homes, University, Supermarkets, Shops, Hotels, Conference Rooms, Office Lighting, Show Room, Corridor, Kitchens etc.

Dimensional drawing



| M.O.D | Cut-Out | H |
|--------|---------|------|
| 5 3/8" | 4 1/4" | 7/8" |

Ordering Information Example: PRO-SP/4/9.5W/30/120/WH/D

| Family Name | Fixture Type | Size | Wattage | CCT (Kelvin) | Voltage | Finish Color | Dimmable |
|-------------|------------------|--------|---------|--------------------------|------------|---|----------|
| PRO | SP2 (Slim Panel) | 4 (4") | 9W | 30 (3000K) 40 (4000K) | 120 (120V) | WH (White) BK (Black) BN (Brushed Nickel) | TRIAC |

Product Specification

| Ordering Code | Energy Star | Model Number | Wattage (W) | Input Voltage (V) | Hour Rating(Hrs) | Initial Delivered Lumens (lumen) | CCT (K) | CRI | Case QTY. |
|---------------|-------------|--------------------------|-------------|-------------------|------------------|----------------------------------|---------|-----|-----------|
| 3662138 | Yes | PRO-SP2/4/9W/30/120/WH/D | 9W | 120V | 60,000 | 650 | 3000 | ≥80 | 50 |
| 3662139 | Yes | PRO-SP2/4/9W/40/120/WH/D | 9W | 120V | 60,000 | 650 | 4000 | ≥80 | 50 |
| 3662155 | Yes | PRO-SP2/4/9W/30/120/BK/D | 9W | 120V | 60,000 | 650 | 3000 | ≥80 | 50 |
| 3662156 | Yes | PRO-SP2/4/9W/30/120/BN/D | 9W | 120V | 60,000 | 650 | 3000 | ≥80 | 50 |



LED FIXTURE

RIGID Series

LED Discus

RGD-HS

Slim design switchable CCT



Features & Benefits

- Slim design H ≈ 0.6"
- Mounts directly to J-box or retrofit 4", 5", 6" downlight
- Switchable CCT (30K/40K/50K)
- Range of sizes (4", 6", 8", 11" available)
- Finish color white (interchangeable trim ring for matt black or satin nickel finish)
- Damp location rated

- Energy Star approved
- L70 @ 50,000 Hrs
- 120V - TRIAC dimmable down to 10%
- High CRI (80+)
- Beam angle 120°

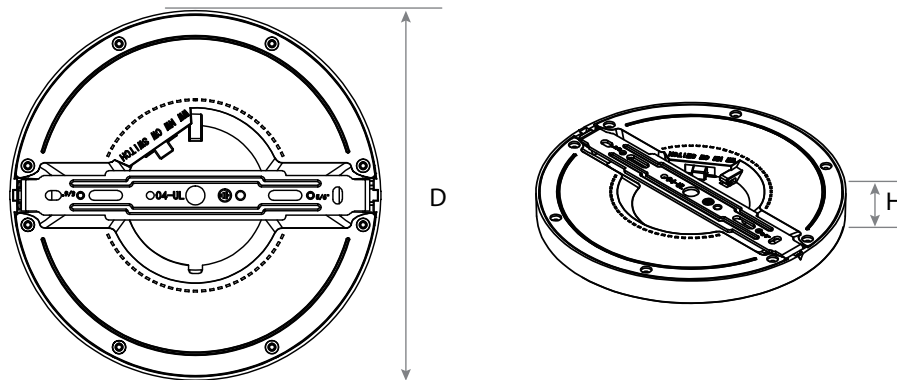
Warranty

- 5-year limited warranty in commercial use from the date of purchase
- Operating temperature range between -20°C and +40°C

Applications

Residential / Commercial, Schools, Retirement Homes, University, Supermarkets, Shops, Hotels, Conference Rooms, Office Lighting, Show Room, Corridor, Kitchens etc.

Dimensional drawing



| | M.O.D | M.O.H |
|-------|---------|-------|
| HS/4 | 5 1/2" | 0.61" |
| HS/6 | 6 1/2" | 0.59" |
| HS/8 | 8 1/2" | 0.59" |
| HS/11 | 11 1/2" | 0.61" |



LED Discus





RGD-HS

Ordering Information Example: RGD-HS/4/8W/MULTI-K/WH/D





| Family Name | Fixture Type | Size | Wattage | CCT (Kelvin) | Finish Color | D | Options |
|-------------|---------------------|--|-------------------------|---|--------------|--------------|---|
| RGD (Rigid) | HS (Surface Discus) | 4 (4") 6 (6") 8 (8") 11 (11") | 6W 12W 18W 24W | MULTI-K (Multiple CCT, 30K/40K/50K Switchable) 30K (3000K, 11") | WH (White) | D (Dimmable) | Matt Black Trim Ring Satin Nickel Trim Ring (Sold separately) |

Product Specification

| Ordering Code | ES | Model Number | Wattage (W) | Input Voltage (V) | Hour Rating | Initial Lumens (lumen) | CCT (K) Adjustable | CRI | Beam Angle | Damp Location | Dimmable | Dimension DxH (inch) | Case QTY. |
|---------------|-----|----------------------------|--|-------------------|-------------|------------------------|--------------------|-----|------------|---------------|----------|----------------------|-----------|
| 3662144 | Yes | RGD-HS/4/6W/MULTI-K/WH/D | 6 | 120 | 50,000 | 360 | 30/40/50 | ≥80 | 120° | Yes | Y | 5 1/2" x 0.61" | 60 |
| 3662145 | Yes | RGD-HS/6/12W/MULTI-K/WH/D | 12 | 120 | 50,000 | 840 | 30/40/50 | ≥80 | 120° | Yes | Y | 6 1/2" x 0.59" | 40 |
| 3663127 | Yes | RGD-HS/8/18W/MULTI-K/WH/D | 18 | 120 | 50,000 | 1260 | 30/40/50 | ≥80 | 120° | Yes | Y | 8 1/2" x 0.59" | 20 |
| 3664134 | Yes | RGD-HS/11/24W/MULTI-K/WH/D | 24 | 120 | 50,000 | 1920 | 30/40/50 | ≥80 | 120° | Yes | Y | 11 1/2" x 0.61" | 10 |
| 3664151 | Yes | RGD-HS/11/24W/30K/WH/D | 24 | 120 | 50,000 | 1920 | 3000 | ≥80 | 120° | Yes | Y | 11 1/2" x 0.61" | 10 |
| 3660112 | - | RGD-HS/4/SN | Satin Nickel Metal Trim for HS/4, (Dia. 141.0mm, Height 15.6mm) | | | | | | | | | | |
| 3660113 | - | RGD-HS/4/MB | Matt Black Metal Trim for HS/4, (Dia. 141.0mm, Height 15.6mm) | | | | | | | | | | |
| 3660114 | - | RGD-HS/6/SN | Satin Nickel Metal Trim for HS/6, (Dia. 166.2mm, Height 15.6mm) | | | | | | | | | | |
| 3660115 | - | RGD-HS/6/MB | Matt Black Metal Trim for HS/6, (Dia. 166.2mm, Height 15.6mm) | | | | | | | | | | |
| 3660116 | - | RGD-HS/8/SN | Satin Nickel Metal Trim for HS/8, (Dia. 218.8mm, Height 15.6mm) | | | | | | | | | | |
| 3660117 | - | RGD-HS/8/MB | Matt Black Metal Trim for HS/8, (Dia. 218.8mm, Height 15.6mm) | | | | | | | | | | |
| 3660118 | - | RGD-HS/11/SN | Satin Nickel Metal Trim for HS/11, (Dia. 293.6mm, Height 15.6mm) | | | | | | | | | | |
| 3660119 | - | RGD-HS/11/MB | Matt Black Metal Trim for HS/11, (Dia. 293.6mm, Height 15.6mm) | | | | | | | | | | |
| 3660120 | - | RGD-HS/4/TC/KIT | Tension Clip For HS/4, Includes 1pc E26 Adaptor, 2 clips to Fit 4" Housing | | | | | | | | | | |
| 3660121 | - | RGD-HS/5/6/TC/KIT | Tension Clip For HS/6/8/11, Includes 1pc E26 Adaptor, 2 clips Fit 5/6" Housing | | | | | | | | | | |

RGD-HS/4/TC/KIT

RGD-HS/5/6/TC/KIT



LED FIXTURE

RIGID Series

LED Flush Mount (Slim 1 Ring) RGD-FM15/MK/D/1R/BN

LED Slim 1 Ring round ceiling light
15", 5 Multi-K selectable



Features & Benefits

CETL listed, Energy Star

Size 15", CRI >80

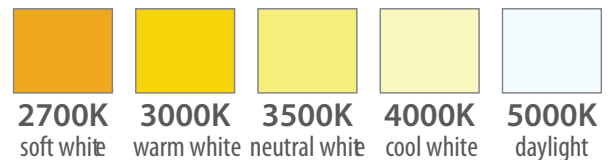
5 CCT colour selectable 2700/3000/3500/4000/5000K

L70 @ 50,000 Hrs

TRIAC dimmable

1 Ring Brushed Nickel finish, PMMA Opal lens

Damp location approved



5 CCT Colour Selectable

Warranty

5-year limited warranty in commercial use from the date of purchase

Operating temperature range between -20°C and +40°C

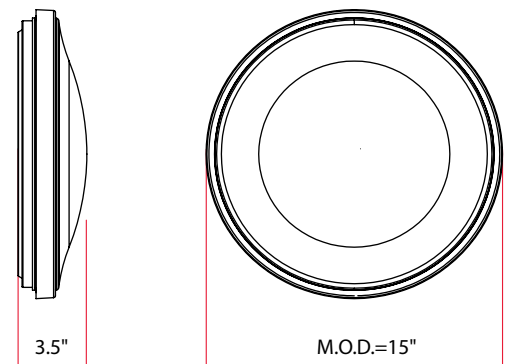
Product Specification

| Ordering Code | Energy Star | Model Number | Description | Wattage (W) | Input Voltage (V) | Hour Rating | Initial Delivered Lumens (lumen) | CRI | Damp Location | M.O.D. (inch) | Case QTY. |
|---------------|-------------|-------------------------|--|-------------|-------------------|-------------|----------------------------------|-----|---------------|---------------|-----------|
| 3664156 | Y | RGD-FM15/24W/MK/D/1R/BN | LED Flush Mount 15" 24W Multiple Kelvin 1Brush Nickle Ring | 24 | 120 | 50,000 | 1800 | 80 | Y | 15 | 8 |

Applications

Bedrooms, living rooms, hallways, kitchens and etc

Dimensional drawing



Ordering Information Example: RGD-FM15/24W/MK/D/1R/BN

| Family Name | Fixture Type | Wattage | CCT (Kelvin) | Dimmable | Body |
|-------------|----------------------------|---------|--------------------------------|--------------|-----------------------------|
| RGD (Rigid) | FM15 (LED 15" Flush Mount) | 24W | MK (Multiple Kelvin Selection) | D (Dimmable) | 1R/BN (1 Ring Brush Nickel) |



LED FIXTURE

RIGID Series

LED Flush Mount (2 Ring) RGD-FM/----/2R

LED double ring designed, deliver maximum light levels, ideal for low ceilings



sensor built-in



Features & Benefits

CUL listed, Energy Star

Size 14", 18" available

CRI >80, 120° Beam spread

120V input voltage, PF >0.9

L70 @ 50,000 Hrs

TRIAC dimmable down to 10%

Microwave sensor optional, 100% to preset 30% dim

Brushed Oxidation finish, PMMA Opal lens

Damp location approved

Non-IC rated

Multi-K 14"&18"selectable CCT 3000/4000/5000K

Warranty

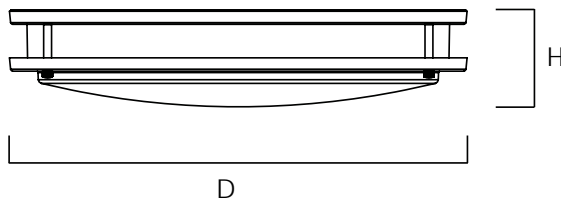
5-year limited warranty in commercial use from the date of purchase

Operating temperature range between -20°C and +40°C

Applications

Bedrooms, living rooms, hallways, kitchens and etc

Dimensional drawing



| | D | H |
|------------------------------|-----|------|
| RGD-FM14 | 14" | 3.8" |
| RGD-FM14 (with MC sensor) | 14" | 3.8" |
| RGD-FM18 | 18" | 3.8" |



LED Flush Mount (2 Ring)

RGD-FM/----/2R

Ordering Information Example: RGD-FM14/21W/30/D/2R

| Family Name | Fixture Type | Size | Wattage | CCT (Kelvin) | Dimmable Option | Body |
|-------------|-----------------------------|-----------------------|--------------------|---|--------------------------------------|------------------|
| RGD (Rigid) | FM (Flush Mount, 2 Ring) | 14 (14") 18 (18")* | 21W/22W 28W/32W | 40 (4000K) 30 (3000K) Multi-K (3000/4000/5000K) | D (Dimmable) S (Microwave Sensor) | 2R (Double Ring) |

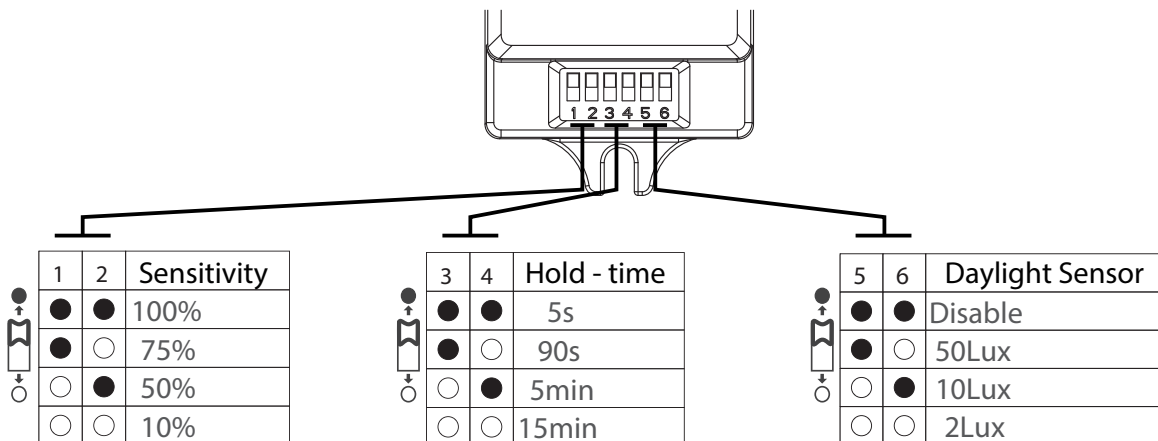
* Sensor not available

Product Specification

| Ordering Code | Energy Star | Model Number | Description | Wattage (W) | Input Voltage (V) | Hour Rating | Initial Delivered Lumens (lumen) | CCT (K) | CRI | Damp Location | M.O.D. (inch) | Dimmable | Option Sensor | Case QTY. |
|---------------|-------------|---------------------------|---------------------------------------|-------------|-------------------|-------------|----------------------------------|----------------|-----|---------------|---------------|----------|---------------|-----------|
| 3674100 | Y | RGD-FM14/22W/MULTI-K/D/2R | LED 14" 22W 3000/4000/5000K 2 Ring | 22 | 120 | 50,000 | 1600 | 3000/4000/5000 | 80 | Y | 14 | Y | - | 6 |
| 3664129 | Y | RGD-FM18/32W/MULTI-K/D/2R | LED 18" 32W 3000/4000/5000K 2 Ring | 32 | 120 | 50,000 | 2000 | 3000/4000/5000 | 80 | Y | 18 | Y | - | 4 |
| 3684102 | Y | RGD-FM14/21W/30/D/2R | LED 14" 21W 3000K 2 Ring | 21 | 120 | 50,000 | 1500 | 3000 | 80 | Y | 14 | Y | - | 6 |
| 3684103 | Y | RGD-FM14/21W/40/D/2R | LED 14" 21W 4000K 2 Ring | 21 | 120 | 50,000 | 1500 | 4000 | 80 | Y | 14 | Y | - | 6 |
| 3664120 | Y | RGD-FM14/21W/30/S/2R | LED 14" 21W 3000K 2 Ring, with sensor | 21 | 120 | 50,000 | 1470 | 3000 | 80 | Y | 14 | N | Y | 6 |
| 3664121 | Y | RGD-FM14/21W/40/S/2R | LED 14" 21W 4000K 2 Ring with sensor | 21 | 120 | 50,000 | 1470 | 4000 | 80 | Y | 14 | N | Y | 6 |
| 3684104 | Y | RGD-FM18/28W/30/D/2R | LED 18" 28W 3000K 2 Ring | 28 | 120 | 50,000 | 2000 | 3000 | 80 | Y | 18 | Y | - | 4 |
| 3684105 | Y | RGD-FM18/28W/40/D/2R | LED 18" 28W 4000K 2 Ring | 28 | 120 | 50,000 | 2000 | 4000 | 80 | Y | 18 | Y | - | 4 |

Sensor Adjustment

Default sensor setting: sensitivity **50%**, hold-time **90s**, daylight sensor **disable**.



Sensitivity is the level where motion is detected, a higher sensitivity detects motion easier.

Hold-time is the duration that the light will stay on after motion is detected before switching down to approximate 30% light output once motion is not present.

Daylight sensor will set the trigger point of the photocell to determine when the sensor will detect daylight and not operate the light unnecessarily.



LED FIXTURE

RIGID Series

LED Flush Mount (Polycarbonate) RGD-FM14/MK/D/SLIM/PC

LED Slim PC round ceiling light
14", 5 Multi-K selectable



Features & Benefits

CETL listed, Energy Star

Size 14", CRI >80

5 CCT colour selectable 2700/3000/3500/4000/5000K

L70 @ 50,000 Hrs

TRIAC dimmable

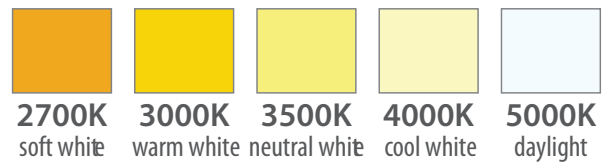
PMMA diffuser, white finish

Damp location approved

Warranty

5-year limited warranty in commercial use from the date of purchase

Operating temperature range between -20°C and +40°C



5 CCT Colour Selectable

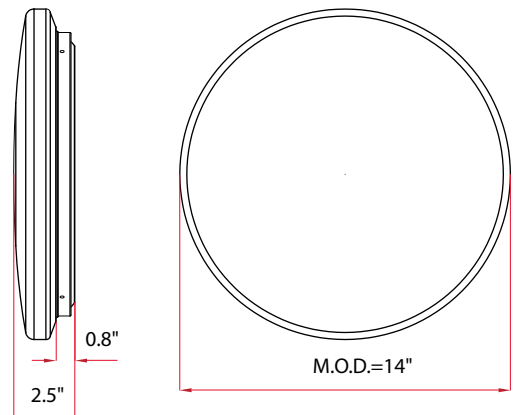
Product Specification

| Ordering Code | Energy Star | Model Number | Description | Wattage (W) | Input Voltage (V) | Hour Rating | Initial Delivered Lumens (lumen) | CRI | Damp Location | M.O.D. (inch) | Case QTY. |
|---------------|-------------|---------------------------|---|-------------|-------------------|-------------|----------------------------------|-----|---------------|---------------|-----------|
| 3664155 | Y | RGD-FM14/24W/MK/D/SLIM/PC | LED Flush Mount 14" 24W Multiple Kelvin Polycarbonate | 24 | 120 | 50,000 | 1800 | 80 | Y | 14 | 8 |

Applications

Bedrooms, living rooms, hallways, kitchens and etc

Dimensional drawing



Ordering Information Example: RGD-FM14/24W/MK/D/SLIM/PC

| Family Name | Fixture Type | Wattage | CCT (Kelvin) | Dimmable | Body |
|-------------|----------------------------|---------|--------------------------------|--------------|------------------------------|
| RGD (Rigid) | FM14 (LED 14" Flush Mount) | 24W | MK (Multiple Kelvin Selection) | D (Dimmable) | SLIM/PC (Slim Polycarbonate) |



LED FIXTURE

RIGID Series

LED Flush Mount (PC) RGD-FM/----/PC

Traditional and eye-catching design, deliver maximum light levels, ideal for low ceilings



Features & Benefits

CUL listed, Energy Star

Size 13", 19" available

CRI >80, 120° Beam spread

120V input voltage

L70 @ 50,000 Hrs

TRIAC dimmable down to 10%

PMMA diffuser, white finish

Damp location approved

Warranty

5-year limited warranty in commercial use from the date of purchase

Operating temperature range between -20°C and +40°C

Product Specification

| Ordering Code | Energy Star | Model Number | Description | Wattage (W) | Input Voltage (V) | Hour Rating | Initial Delivered Lumens (lumen) | CCT (K) | CRI | Damp Location | M.O.D. (inch) | Case QTY. |
|---------------|-------------|----------------------|----------------------------------|-------------|-------------------|-------------|----------------------------------|---------|-----|---------------|---------------|-----------|
| 3663114 | Y | RGD-FM13/18W/30/D/PC | LED Flush Mount 13" 18W 3000K PC | 18 | 120 | 50,000 | 1300 | 3000 | 80 | Y | 13 | 6 |
| 3663115 | Y | RGD-FM13/18W/40/D/PC | LED Flush Mount 13" 18W 4000K PC | 18 | 120 | 50,000 | 1300 | 4000 | 80 | Y | 13 | 6 |
| 3664108 | Y | RGD-FM19/32W/30/D/PC | LED Flush Mount 19" 32W 3000K PC | 32 | 120 | 50,000 | 2300 | 3000 | 80 | Y | 19 | 4 |
| 3664109 | Y | RGD-FM19/32W/40/D/PC | LED Flush Mount 19" 32W 4000K PC | 32 | 120 | 50,000 | 2300 | 4000 | 80 | Y | 19 | 4 |

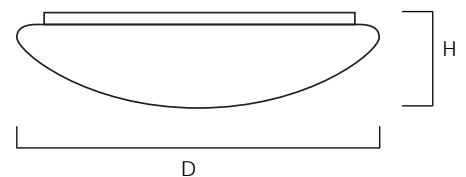
Applications

Bedrooms, living rooms, hallways, kitchens and etc

Ordering Information Example: RGD-FM13/18W/30/D/PC

| Family Name | Fixture Type | Size | Wattage | CCT (Kelvin) | Dimmable | Body |
|-------------|-------------------------|----------------------|------------|--------------------------|-------------|-----------------------|
| RGD (Rigid) | FM (Flush Mount, PC) | 13 (13") 19 (19") | 18W 32W | 40 (4000K) 30 (3000K) | D(Dimmable) | PC (Polycarbonate) |

Dimensional drawing



| | D | H |
|----------|-----|-------|
| RGD-FM13 | 13" | 3.44" |
| RGD-FM19 | 19" | 3.44" |



LED FIXTURE

RIGID Series



LED Vanity

RGD-VN

2 Ring LED Vanity Lighting



Features & Benefits

Energy Star and cUL rated

Alumimium frame, great lighting distribution without any shadow

White PMMA lens

14W 1,450lm, 120V 60 Hz Input, PF>0.9

TRIAC (10-100%)dimmable

High CRI (80+), Beam angle 120°

L70@ 50,000 Hrs

Damp location approved

Warranty

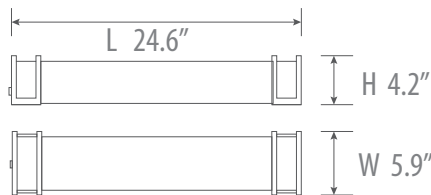
5-year limited warranty in commercial use from the date of purchase

Operating temperature range between -20°C and +45°C

Applications

Ideal replacement for traditional incandescent wall mount fixture. Restaurant, Community, Office, Retail, Hospitality and etc.

Dimensional drawing



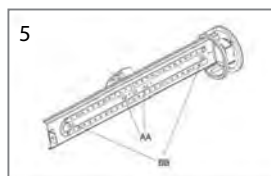
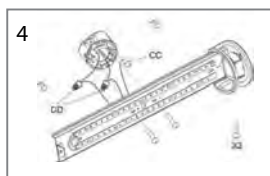
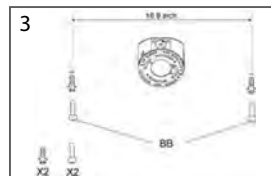
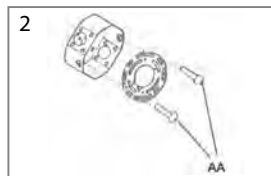
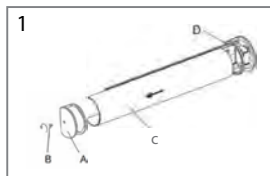
Ordering Information Example: RGD-VN/2F/14W/30/D/2R

| Family Name | Fixture Type | Length | Wattage | CCT (Kelvin) | Dimmable | Type |
|-------------|--------------|-------------|---------|--------------------------|--------------|-------------|
| RGD (Rigid) | VN (Vanity) | 2F (2 Foot) | 14W | 30 (3000K) 40 (4000K) | D (Dimmable) | 2R (2 Ring) |

Product Specification

| Energy Star | Model Number | Description | Wattage (W) | Input Voltage(V) | Hour Rating | Initial Delivered Lumens (lumen) | CCT (K) | CRI | Damp Location | M.O.D. L×W×H (inch) |
|-------------|-----------------------|--|-------------|------------------|-------------|----------------------------------|---------|-----|---------------|---------------------|
| Y | RGD-VN/2F/14W/30/D/2R | LED Vanity 2' 14W 3000K Dimmable 2Ring | 14 | 120 | 50,000 | 1,450 | 3000 | 80+ | Y | 24.6 × 5.9 × 4.2 |
| Y | RGD-VN/2F/14W/40/D/2R | LED Vanity 2' 14W 4000K Dimmable 2Ring | 14 | 120 | 50,000 | 1,450 | 4000 | 80+ | Y | 24.6 × 5.9 × 4.2 |

Installation



1. Remove the ring and lens from the housing.
2. Insert long screws(AA) into aligned holes, and tighten the two long screws.
3. Mark the keyhole slots and drill the two holes, then insert long screws into anchors.
4. Connect the fixture wires accordingly.
5. Put the long screws through the keyholes, and thread into the J-box.
6. Secure the lens and top ring up to the housing.



LED FIXTURE

RIGID Series

LED Wall Sconce

RGD-WS

2 Ring LED Wall Sconce



Features & Benefits

Energy Star and cETL rated

Alumimium frame, great lighting distribution without any shadow

White PMMA lens

15W 1,100lm, 120V 60 Hz Input, PF>0.9

TRIAC (10-100%)dimmable

High CRI (80+)

L70@ 50,000 Hrs

Damp location approved, meets ADA requirements

Warranty

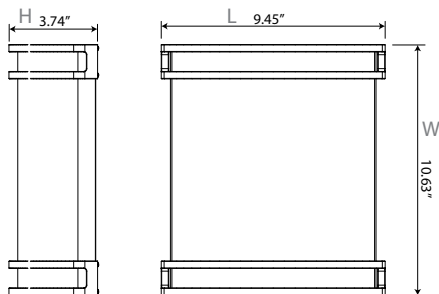
5-year limited warranty in commercial use from the date of purchase

Operating temperature range between -20°C and +40°C

Applications

Ideal replacement for traditional incandescent wall mount fixture. Restaurant, Community, Office, Retail, Hospitality and etc.

Dimensional drawing



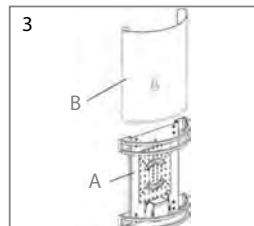
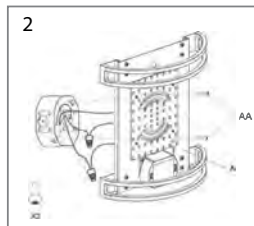
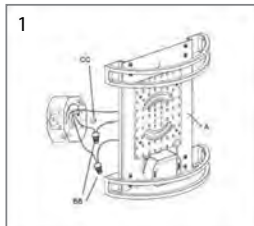
Ordering Information Example: RGD-WS/15W/30/D/2R

| Family Name | Fixture Type | Wattage | CCT (Kelvin) | Dimmable | Type |
|-------------|------------------|---------|--------------------------|-----------------|----------------|
| RGD (Rigid) | WS (Wall Sconce) | 15W | 30 (3000K) 40 (4000K) | D (Dimmable) | 2R (2 Ring) |

Product Specification

| Ordering Code | Energy Star | Model Number | Description | Wattage (W) | Input Voltage (V) | Hour Rating | Initial Delivered Lumens (lumen) | CCT (K) | CRI | Damp Location | M.O.D. L×W×H (inch) |
|---------------|-------------|--------------------|---|-------------|-------------------|-------------|----------------------------------|---------|-----|---------------|---------------------|
| 3663125 | Y | RGD-WS/15W/30/D/2R | 2 Ring LED Wall Sconce 15W 3000K Dimmable | 15 | 120 | 50,000 | 1,100 | 3000 | 80+ | Y | 9.45×10.63×3.74 |
| 3663126 | Y | RGD-WS/15W/40/D/2R | 2 Ring LED Wall Sconce 15W 4000K Dimmable | 15 | 120 | 50,000 | 1,100 | 4000 | 80+ | Y | 9.45×10.63×3.74 |

Installation



1. Connect the fixture wires accordingly.
2. Put the long screws through the keyholes, and thread into the J-box.
3. Align the tabs on fixture pan(A) with the channels on lens(B), then insert lens(B) into fixture pan(A).

LED FIXTURE

DL Series



LED Wrap Around DL-WA1, DL-WA2, DL-WA3

DL-WA1 (LED 4' Wrap Light)
DL-WA2 (LED 2' / 4' Hinged Wrap Light)
DL-WA3 (LED 4' Eco-Wrap Light), Newly added 120-347V Auto-sensing Driver

Features & Benefits

CUL listed, DLC*

0-10V dimmable*

High CRI (80+)

Wall or ceiling mounted

L70 @*

PMMA Lens

Damp location rated

Shallow profile, excellent for low ceilings

Warranty

5-year limited warranty in commercial use from the date of purchase

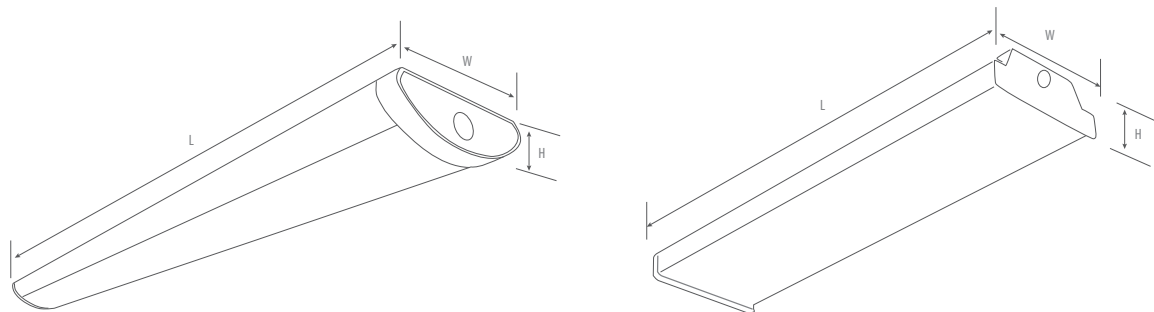
Operating temperature range between -20°C and +40°C

* For applicable models, see product specification below

Applications

Corridors, Carports, storage rooms, retail, commercial, etc.

Dimensional drawing



| | L | W | H |
|-----------|-------|-------|------|
| DL-WA1/4F | 48.5" | 5.56" | 2" |
| DL-WA2/2F | 24.5" | 7.09" | 2.8" |
| DL-WA2/4F | 48" | 7.09" | 2.8" |
| DL-WA3/4F | 48.6" | 6.5" | 2.5" |



LED Wrap Around

DL-WA1, DL-WA2, DL-WA3

Ordering Information Example: DL-WA2/2F/25W/40/UNV/D

| Family Name | Fixture Type | Size | Wattage | CCT | Input Voltage | Dimmable | Options |
|---------------------|---------------------|---------|--|--|--------------------------------------|----------------------|---------|
| DL (Deltalum) | WA1 (Wrap Around 1) | 4F (4') | 40W | 30 (3000K) 40 (4000K) 50 (5000K) | Blank (120-277V) | Blank (non-dimmable) | |
| | WA2 (Wrap Around 2) | 2F (2') | 25W | 40 (4000K) | UNV (120-277V) | D (Dimmable) | |
| | | 4F (4') | 40W | | | | |
| WA3 (Wrap Around 3) | 4F (4') | 42W | 35 (3500K) 40 (4000K) 50 (5000K) | UNV (120-277V) 120-347V | Blank (non-dimmable) D (Dimmable) | | |

Product Specification

| Ordering Code | DLC/DLC Premium | Model Number | Wattage (W) | Input Voltage (V) | Hour Rating | Beam Angle | Initial Delivered Lumens (lumen) | CCT (K) | CRI | Damp Location | M.O.L (inch) | Case QTY. |
|---------------|-----------------|-----------------------------|---|-------------------|-------------|------------|----------------------------------|---------|-----|---------------|--------------|-----------|
| 3665129 | - | DL-WA1/4F/40W/30 | 40 | 120-277V | 50,000 | 120° | 4,200 | 3000K | >80 | Yes | 48 | 4 |
| 3665124 | Y | DL-WA1/4F/40W/40 | 40 | 120-277V | 50,000 | 120° | 4,200 | 4000K | >80 | Yes | 48 | 4 |
| 3665125 | Y | DL-WA1/4F/40W/50 | 40 | 120-277V | 50,000 | 120° | 4,200 | 5000K | >80 | Yes | 48 | 4 |
| 3664124 | Y | DL-WA2/2F/25W/40/UNV/D | 25 | 120-277V | 100,000 | 120° | 3250 | 4000K | >80 | Yes | 24.5 | 4 |
| 3665135 | Y | DL-WA2/4F/40W/40/UNV/D | 40 | 120-277V | 100,000 | 120° | 5200 | 4000K | >80 | Yes | 48 | 4 |
| 3665309 | Y (Premium) | DL-WA3/4F/42W/35/120-347V/D | 42 | 120-347V | 100,000 | 120° | 5460 | 3500K | >80 | Yes | 48 | 4 |
| 3665310 | Y (Premium) | DL-WA3/4F/42W/40/120-347V/D | 42 | 120-347V | 100,000 | 120° | 5460 | 4000K | >80 | Yes | 48 | 4 |
| 3665136 | Y | DL-WA3/4F/42W/35/UNV | 42 | 120-277V | 100,000 | 120° | 5460 | 3500K | >80 | Yes | 48 | 4 |
| 3665137 | Y | DL-WA3/4F/42W/40/UNV | 42 | 120-277V | 100,000 | 120° | 5460 | 4000K | >80 | Yes | 48 | 4 |
| 3665138 | Y | DL-WA3/4F/42W/50/UNV | 42 | 120-277V | 100,000 | 120° | 5460 | 5000K | >80 | Yes | 48 | 4 |
| 3660052 | | DL-WA2/2F/LENS | DeltaLum Hinged-Wrap Light 2ft. Replacement PMMA Lens | | | | | | | | | |
| 3660053 | | DL-WA2/4F/LENS | DeltaLum Hinged-Wrap Light 4ft. Replacement PMMA Lens | | | | | | | | | |
| 3660054 | | DL-WA3/4F/LENS | DeltaLum Eco-Wrap Light 4ft. Replacement PMMA Lens | | | | | | | | | |



LED FIXTURE

DL Series

LED Eco-Commercial Strip DL-EC NEW MW-MK

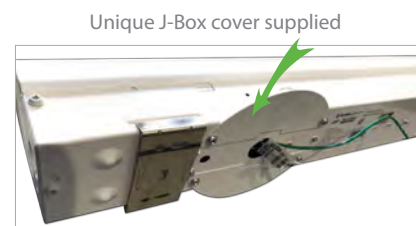
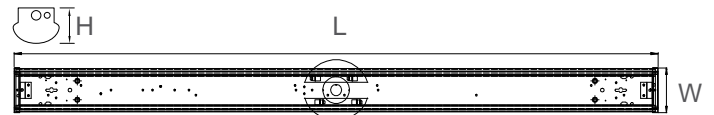
Linear 4' and 8' LED strip light, 120-347V auto-sensing driver
Multiple Wattage - Multiple Kelvin



Features & Benefits

- cUL listed, DLC(Premium)
- Selectable wattage and adjustable CCT
- 4' and 8' length selection
- 120-347V Auto-sensing driver, 0-10V dimming
- Average rated life 100,000 hrs L70 (TM-21 @ 70 °C), CRI ≥ 80
- White metal finish, PMMA Opal Lens
- Surface or Suspended mounting, row mountable w/ joiner plate
- Damp location rated
- Operating temperature range between -20°C and +50°C

Dimensional Drawing



| | L | W | H |
|-----|-------|------|------|
| 4FT | 47.3" | 3.3" | 3.6" |
| 8FT | 94.2" | 3.3" | 3.6" |

Warranty

5-year limited warranty in commercial use from the date of purchase

Applications

Offices, Hallways, Multipurpose Rooms, Warehouse etc.

Ordering Information Example: DL-EC/4F/56W/MK/120-347V/D

| Family Name | Fixture Type | Size | Wattage | CCT | Voltage | Dimmable | Sensor | Option |
|---------------|---------------------|---|------------------------------|-------------------|----------|--------------|------------|--|
| DL (Deltalum) | EC (Eco-Commercial) | 4F (4') 4FS (4' Small Wattage) 4FL (4' Large Wattage) 8FL (8' Large Wattage) | 56W MW (Multiple Wattage) | MK (Multiple CCT) | 120-347V | D (Dimmable) | S (Sensor) | RM (Row MTG Plate) S (Microwave Sensor) TL-2052 PIR Sensor |

Product Specification

| Ordering Code | DLC (Premium) | Model Number | Wattage (W) | Input Voltage (V) | Hour Rating (L70) | Beam Angle | Initial Delivered Lumens (lumen) | CCT (K) | CRI | Damp Location | M.O.L (inch) | Case QTY. |
|---------------|---------------|------------------------------|--|-------------------|-------------------|------------|----------------------------------|----------|-----|---------------|--------------|-----------|
| 3666309 | Y | DL-EC/4F/56W/MK/120-347V/D | 56 | 120-347V | 100,000 | 120° | 7280 | 35-40-50 | >80 | Yes | 48 | 6 |
| 3666306 | Y | DL-EC/4FS/MW/MK/120-347V/D | 30-25-18 | 120-347V | 100,000 | 120° | 3900-3250-2340 | 35-40-50 | >80 | Yes | 48 | 6 |
| 3666307 | Y | DL-EC/4FL/MW/MK/120-347V/D | 45-38-34 | 120-347V | 100,000 | 120° | 5850-4940-4420 | 35-40-50 | >80 | Yes | 48 | 6 |
| 3666308 | Y | DL-EC/8FL/MW/MK/120-347V/D | 90-75-65 | 120-347V | 100,000 | 120° | 11700-9750-8450 | 35-40-50 | >80 | Yes | 96 | 4 |
| 3666310 | Y | DL-EC/4F/56W/MK/120-347V/D/S | 56 | 120-347V | 100,000 | 120° | 7280 | 35-40-50 | >80 | Yes | 48 | 6 |
| 3666311 | Y | DL-EC/4FL/MW/MK/120-347V/D/S | 45-38-34 | 120-347V | 100,000 | 120° | 5850-4940-4420 | 35-40-50 | >80 | Yes | 48 | 6 |
| 3666312 | Y | DL-EC/8FL/MW/MK/120-347V/D/S | 90-75-65 | 120-347V | 100,000 | 120° | 11700-9750-8450 | 35-40-50 | >80 | Yes | 96 | 4 |
| 3660057 | | DL-EC/4F/LENS | 4ft, replacement white PMMA lens | | | | | | | | | |
| 3660058 | | DL-EC/8F/LENS | 8ft, replacement white PMMA lens | | | | | | | | | |
| 3660092 | | DL-EC/4F/WG | 4ft, Wire guard | | | | | | | | | |
| Option | | DL-EC/RM | Row mounting plate | | | | | | | | | |
| | | S | Microwave sensor factory installed (consult for lead time) | | | | | | | | | |
| | | TL-2052 | PIR motion sensor (sold separately) | | | | | | | | | |



LED FIXTURE

DL Series

LED Eco-Commercial Strip DL-EC

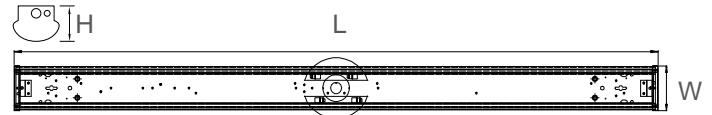
Linear 2', 3', 4' and 8' LED strip light, 120-347V auto-sensing driver



Features & Benefits

- _____ CUL listed, DLC(Premium)
- _____ 2', 3', 4' and 8' length selection
- _____ 120-347V Auto-sensing driver (except 90W), 0-10V dimming
- _____ Average rated life 100,000 hrs L70 (TM-21 @ 70 °C), CRI ≥ 80
- _____ System light efficacy ≥ 130lm per watt
- _____ White metal finish (black available for special order), PMMA Opal Lens
- _____ Surface or Suspended mounting, row mountable w/ joiner plate
- _____ Damp location rated

Dimensional Drawing



Unique J-Box cover supplied



| | L | W | H |
|-----|-------|------|------|
| 2FT | 22.2" | 3.3" | 3.6" |
| 3FT | 35.0" | 3.3" | 3.6" |
| 4FT | 47.3" | 3.3" | 3.6" |
| 8FT | 94.2" | 3.3" | 3.6" |

Warranty

- _____ 5-year limited warranty in commercial use from the date of purchase
- _____ Operating temperature range between -20°C and +50°C

Applications

Offices, Hallways, Multipurpose Rooms, Warehouse etc.

Ordering Information Example: DL-EC/4F/35W/40/120-347V/D/S

| Family Name | Fixture Type | Size | Wattage | CCT | Voltage | Dimmable | Sensor | Option |
|---------------|---------------------|---------|--------------------|------------|----------------|--------------|------------|--|
| DL (Deltalum) | EC (Eco-Commercial) | 2F (2') | 20W (2') | 35 (3500K) | 120-347V | D (Dimmable) | S (Sensor) | RM (Row MTG Plate) S (Microwave Sensor) TL-2052 PIR Sensor |
| | | 3F (3') | 25W (3') | 40 (4000K) | UNV (120-277V) | | | |
| | | 4F (4') | 35W, 45W, 56W (4') | 50 (5000K) | 347V | | | |
| | | 8F (8') | 65W, 90W (8') | | | | | |

Product Specification

| Ordering Code | DLC (Premium) | Model Number | Wattage (W) | Input Voltage (V) | Hour Rating(L70) | Beam Angle | Initial Delivered Lumens (lumen) | CCT (K) | CRI | Damp Location | M.O.L (inch) |
|---------------|---------------|----------------------------|-------------|-------------------|------------------|------------|----------------------------------|---------|-----|---------------|--------------|
| 3663209 | Y | DL-EC/2F/20W/35/120-347V/D | 20 | 120-347V | 100,000 | 120° | 2,600 | 3500K | >80 | Yes | 22.2" |
| 3663208 | Y | DL-EC/2F/20W/40/120-347V/D | 20 | 120-347V | 100,000 | 120° | 2,600 | 4000K | >80 | Yes | 22.2" |
| 3664206 | Y | DL-EC/3F/25W/40/120-347V/D | 25 | 120-347V | 100,000 | 120° | 3,250 | 4000K | >80 | Yes | 35.0" |
| 3665250 | Y | DL-EC/4F/35W/35/120-347V/D | 35 | 120-347V | 100,000 | 120° | 4,550 | 3500K | >80 | Yes | 47.3" |
| 3665225 | Y | DL-EC/4F/35W/40/120-347V/D | 35 | 120-347V | 100,000 | 120° | 4,550 | 4000K | >80 | Yes | 47.3" |



LED Eco-Commercial Strip

DL-EC

| Ordering Code | DLC (Premium) | Model Number | Wattage (W) | Input Voltage (V) | Hour Rating(L70) | Beam Angle | Initial Delivered Lumens (lumen) | CCT (K) | CRI | Damp Location | M.O.L (inch) |
|---------------|---------------|------------------------------|--|-------------------|------------------|------------|----------------------------------|---------|-----|---------------|--------------|
| 3665242 | Y | DL-EC/4F/35W/40/120-347V/D/S | 35 | 120-347V | 100,000 | 120° | 4,550 | 4000K | >80 | Yes | 47.3" |
| 3665226 | Y | DL-EC/4F/35W/50/120-347V/D | 35 | 120-347V | 100,000 | 120° | 4,585 | 5000K | >80 | Yes | 47.3" |
| 3665251 | Y | DL-EC/4F/45W/35/120-347V/D | 45 | 120-347V | 100,000 | 120° | 5,850 | 3500K | >80 | Yes | 47.3" |
| 3665227 | Y | DL-EC/4F/45W/40/120-347V/D | 45 | 120-347V | 100,000 | 120° | 5,850 | 4000K | >80 | Yes | 47.3" |
| 3665246 | Y | DL-EC/4F/45W/40/120-347V/D/S | 45 | 120-347V | 100,000 | 120° | 5,850 | 4000K | >80 | Yes | 47.3" |
| 3666247 | Y | DL-EC/4F/56W/40/120-347V/D | 56 | 120-347V | 100,000 | 120° | 7,280 | 4000K | >80 | Yes | 47.3" |
| 3666248 | Y | DL-EC/4F/56W/40/120-347V/D/S | 56 | 120-347V | 100,000 | 120° | 7,280 | 4000K | >80 | Yes | 47.3" |
| 3666229 | Y | DL-EC/8F/65W/40/120-347V/D | 65 | 120-347V | 100,000 | 120° | 8,450 | 4000K | >80 | Yes | 94.2" |
| 3666230 | Y | DL-EC/8F/65W/50/120-347V/D | 65 | 120-347V | 100,000 | 120° | 8,515 | 5000K | >80 | Yes | 94.2" |
| 3666137 | Y | DL-EC/8F/90W/40/UNV/D | 90 | 120-277V | 100,000 | 120° | 11,700 | 4000K | >80 | Yes | 94.2" |
| 3666237 | Y | DL-EC/8F/90W/40/347V/D | 90 | 347V | 100,000 | 120° | 11,700 | 4000K | >80 | Yes | 94.2" |
| 3660055 | | DL-EC/2F/LENS | 2ft, replacement white PMMA lens | | | | | | | | |
| 3660056 | | DL-EC/3F/LENS | 3ft, replacement white PMMA lens | | | | | | | | |
| 3660057 | | DL-EC/4F/LENS | 4ft, replacement white PMMA lens | | | | | | | | |
| 3660058 | | DL-EC/8F/LENS | 8ft, replacement white PMMA lens | | | | | | | | |
| 3660092 | | DL-EC/4F/WG | 4ft, Wire guard | | | | | | | | |
| Option | | DL-EC/RM | Row mounting plate | | | | | | | | |
| | | S | Microwave sensor factory installed (consult for lead time) | | | | | | | | |
| | | TL-2052 | PIR motion sensor (sold separately) | | | | | | | | |

LED FIXTURE

DL Series

LED Connect Strip

DL-CS/MS

Linear 4' LED strip light, built-in Microwave Sensor



Features & Benefits

- CUL listed
- Familiar surface strip design in 4' length, low profile
- Integral-LED luminaire (no lamps required), LED Driver PF>0.9
- Strips are linkable either with connector supplied or by optional connecting cables
- 15 pcs maximum @ 40W per fixture
- L70 @ 50,000 HRS
- White metal housing construction, PC Opal Lens
- Microwave sensor for on-off applications
- Damp location rated

Dimensional Drawing



| | L | W | H |
|------|-----|-------|-------|
| 4F2L | 48" | 3.54" | 2.36" |

Warranty

- 5-year limited warranty in commercial use from the date of purchase
- Operating temperature range between -20°C and +40°C

Applications

Utility Rooms, Corridors, Work Shops, Garage, Stock Rooms etc.

Ordering Information Example: DL-CS/4F2L/40W/40/MS

| Family Name | Fixture Type | Size | Wattage | CCT | Microwave Sensor | Options |
|---------------|--------------------|------------------|---------|--------------------------|---------------------------------|-----------------------------------|
| DL (Deltalum) | CS (Connect Strip) | 4F2L (4; 2 lamp) | 40W | 40 (4000K) 50 (5000K) | MS (Microwave Sensor on-off) | Connecting Cable order separately |

Product Specification

| Ordering Code | Model Number | Wattage (W) | Input Voltage (V) | Hour Rating | Beam Angle | Initial Delivered Lumens (lumen) | CCT (K) | CRI | Damp Location | M.O.L (inch) | Case QTY. |
|---------------|----------------------|----------------------------|-------------------|-------------|------------|----------------------------------|---------|-----|---------------|--------------|-----------|
| 3665130 | DL-CS/4F2L/40W/40/MS | 40 | 120-277V | 50,000 | 120° | 4,200 | 4000K | >80 | Yes | 48 | 6 |
| 3665131 | DL-CS/4F2L/40W/50/MS | 40 | 120-277V | 50,000 | 120° | 4,400 | 5000K | >80 | Yes | 48 | 6 |
| 3660047 | DL-CS/1F/CC3/WH | 1' CONNECTING CABLE, WHITE | | | | | | | | | |
| 3660048 | DL-CS/2F/CC3/WH | 2' CONNECTING CABLE, WHITE | | | | | | | | | |
| 3660049 | DL-CS/4F/CC3/WH | 4' CONNECTING CABLE, WHITE | | | | | | | | | |

Connector Images



Caution:

Electrical shock hazard possible when using interconnecting systems (cables or supplied 5 pin connector). As with all electrical devices, power must be off (electrical breaker) before removing and installing 5 pin port cover and connecting next linkable "Connect Strip" or "Connecting Cable". Refer to installation manual when installing.

Microwave Sensor Image

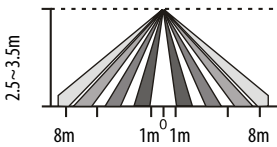




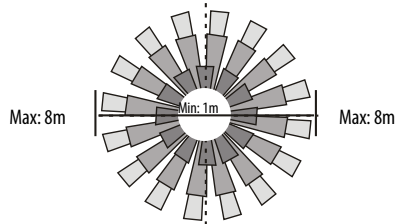
LED Connect Strip

DL-CS/MS

Sensor Information



Height of installation 2.5~3.5m

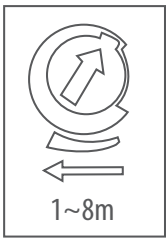


Detection range Min: 1m, Max: 8m
Detection angle 360°

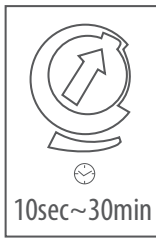
UTILIZING FIELD AND INTRODUCTION

The sensor is a moving object sensor that can detect range of 360° and it's working frequency is 5.8GHz. The advantage of this product is stable working state (stable working temperature: -15°C~+70°C), The sensor adopts a microwave sensor (high-frequency output < 0.2mW), so that it is safe and performs better than infrared sensor.

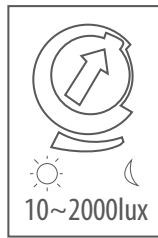
If you want the sensor to detect small zone, you can just adjust the sense knob SENS to the range that you need (You may need to adjust sometimes until you think it is suitable). If you want that the light can be turned on when the circumstance luminance is under some value, you can just adjust the knob LUX (The working luminance knob) to select the luminance value (You may need to adjust some times until you think it is suitable).



Detection Range



Time



Light Control

Detection range setting (sensitivity)

Detection range is the term used to describe the radii of the more or less circular detection zone produced on the ground after mounting the sensor light at a height of 2.5m, turn the detection control fully anticlockwise to select minimum detection range (approx. 1m radii), and fully clockwise to select maximum detection range (approx. 8m radii).

Note: the above detection range is gained if the detected person is between 1.6m-1.7m tall with middle figure and moves at a speed of 1.0-1.5m/sec. If person's stature, figure and moving speed change, the detection distance will also change.

In different cases, the sensitivity of the lights has certain deviation.

ATTENTION: When use this product, please adjust the sensitivity to an appropriate position you need, please do not adjust the sensitivity to maximum, in case the product works abnormally because of wrong motion detection, including blowing leaves & curtains, small animals, or even power grid & electrical equipment. All the above factors can lead to abnormal work. When the product does not work normally, please try to lower the sensitivity appropriately, and then test it.

Time setting

The light can be set to stay ON for any period of time between approx. 10sec (dial turned fully anti-clockwise) and a maximum of 30min (dial turned fully clockwise). Any movement detected during the "on" time will reset the timer. The LED indicator will flash when adjusting the time setting dial. The number of flashes means the following:

1 flash = 10sec, 2 flashes = 1 min, 3 flashes = 2 min, 4 flashes = 5 min, 5 flashes = 8 min, 6 flashes = 10 min, 7 flashes = 15 min, 8 flashes = 20 min, 9 flashes = 25 min, 10 flashes = 30 min.

Note: after the light switches OFF, it takes approx. 4sec before it is able to start detecting movement again. The light will only switch on in response to movement once this period has elapsed.

Light-control setting

The chosen light response threshold can be infinitely from approx. 10-2000lux. Turn it fully anti-clockwise to select dusk to-dawn operation at about 10lux. Turn it fully clockwise to select daylight operation at about 2000lux. The knob must be turned fully clockwise when adjusting the detection zone and performing the walk test in daylight.

Note: please don't adjust the three functional buttons to excess. That is because the three functional buttons were connected to the components directly, there is a small stopper in each of the three components, when you adjust the buttons from start to end, the excessive turn will damage the stopper, and lead to the 360° non-stop turn around. The adjust range limit is 270°, please do pay attention to this.



LED FIXTURE

DL Series

LED Connect Strip

DL-CS

Linear 2' or 4' LED strip light



Features & Benefits

- CUL listed, DLC
- Familiar surface strip design in 2' and 4' length, low profile
- Multiple lumen options to suite most applications
- Integral-LED luminaire (no lamps required), LED Driver PF>0.9
- Strips are linkable either with connector supplied or by optional connecting cables
- 15 pcs @ 40W, 25 pcs @ 20W or 30 pcs @ 10W

- L70 @ 50,000 HRS
- White metal housing construction, PC Opal Lens
- 120-347V auto-sensing driver, 0-10V dimmable
- Damp location rated

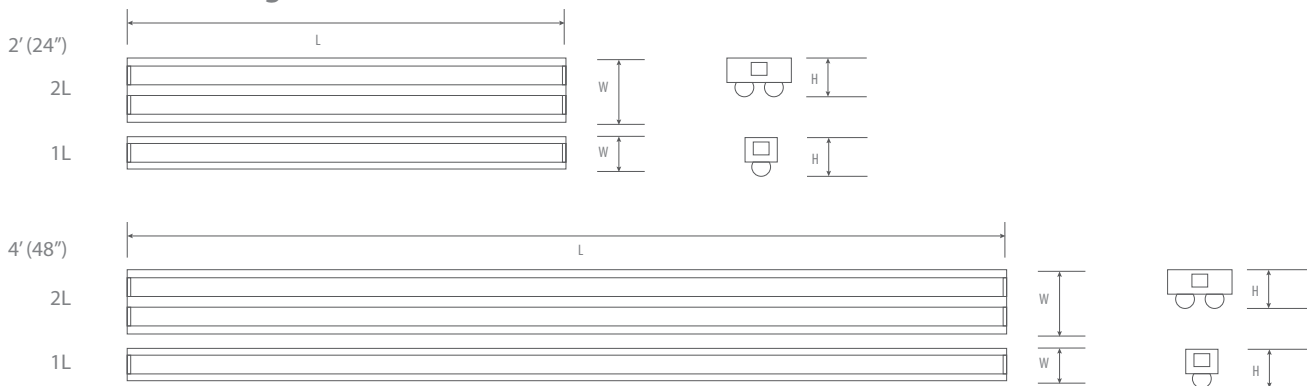
Warranty

- 5-year limited warranty in commercial use from the date of purchase
- Operating temperature range between -20°C and +40°C

Applications

Cove Lighting, Utility Rooms, Corridors, Work Shops, Garage, Stock Rooms etc.

Dimensional drawing



| | L | W | H |
|-------------|-----|-------|-------|
| 2F1L | 24" | 1.77" | 2.36" |
| 2F2L | 24" | 3.54" | 2.36" |
| 4F1L | 48" | 1.77" | 2.36" |
| 4F2L | 48" | 3.54" | 2.36" |



LED Connect Strip

DL-CS

Ordering Information Example: DL-CS/2F1L/10W/40/D

| Family Name | Fixture Type | Size | Wattage | CCT | Input Voltage | Dimmable | Options |
|---------------|--------------------|-------------------|---------|--|---------------|--------------------|-----------------------------------|
| DL (Deltalum) | CS (Connect Strip) | 2F1L (2'; 1 lamp) | 10W | 30 (3000K) 40 (4000K) 50 (5000K) | 120-347V | D (0-10V dimmable) | Connecting Cable order separately |
| | | 4F1L (4'; 1 lamp) | 20W | | | | |
| | | 2F2L (2'; 2 lamp) | 40W | | | | |
| | | 4F2L (4'; 2 lamp) | 40W | | | | |

Product Specification

| Ordering Code | DLC | Model Number | Wattage (W) | Input Voltage (V) | Lamp QTY. | Hour Rating | Beam Angle | Initial Delivered Lumens (lumen) | CCT (K) | CRI | Damp Location | M.O.L (inch) | Case QTY. |
|---------------|-----|------------------------------|-----------------------------------|-------------------|-----------|-------------|------------|----------------------------------|---------|-----|---------------|--------------|-----------|
| 3662218 | Yes | DL-CS/2F1L/10W/30/120-347V/D | 10 | 120-347V | 1 | 50,000 | 120° | 1,050 | 3000K | >80 | Yes | 24 | 6 |
| 3662219 | Yes | DL-CS/2F1L/10W/40/120-347V/D | 10 | 120-347V | 1 | 50,000 | 120° | 1,050 | 4000K | >80 | Yes | 24 | 6 |
| 3662220 | Yes | DL-CS/2F1L/10W/50/120-347V/D | 10 | 120-347V | 1 | 50,000 | 120° | 1,050 | 5000K | >80 | Yes | 24 | 6 |
| 3663202 | Yes | DL-CS/4F1L/20W/30/120-347V/D | 20 | 120-347V | 1 | 50,000 | 120° | 2,100 | 3000K | >80 | Yes | 48 | 6 |
| 3663203 | Yes | DL-CS/4F1L/20W/40/120-347V/D | 20 | 120-347V | 1 | 50,000 | 120° | 2,100 | 4000K | >80 | Yes | 48 | 6 |
| 3663204 | Yes | DL-CS/4F1L/20W/50/120-347V/D | 20 | 120-347V | 1 | 50,000 | 120° | 2,100 | 5000K | >80 | Yes | 48 | 6 |
| 3663205 | Yes | DL-CS/2F2L/20W/30/120-347V/D | 20 | 120-347V | 2 | 50,000 | 120° | 2,100 | 3000K | >80 | Yes | 24 | 6 |
| 3663206 | Yes | DL-CS/2F2L/20W/40/120-347V/D | 20 | 120-347V | 2 | 50,000 | 120° | 2,100 | 4000K | >80 | Yes | 24 | 6 |
| 3663207 | Yes | DL-CS/2F2L/20W/50/120-347V/D | 20 | 120-347V | 2 | 50,000 | 120° | 2,100 | 5000K | >80 | Yes | 24 | 6 |
| 3665222 | Yes | DL-CS/4F2L/40W/30/120-347V/D | 40 | 120-347V | 2 | 50,000 | 120° | 4,200 | 3000K | >80 | Yes | 48 | 6 |
| 3665223 | Yes | DL-CS/4F2L/40W/40/120-347V/D | 40 | 120-347V | 2 | 50,000 | 120° | 4,200 | 4000K | >80 | Yes | 48 | 6 |
| 3665224 | Yes | DL-CS/4F2L/40W/50/120-347V/D | 40 | 120-347V | 2 | 50,000 | 120° | 4,200 | 5000K | >80 | Yes | 48 | 6 |
| 3660011 | | DL-CS/1F/CC/WH | 1' CONNECTING 5 WIRE CABLE, WHITE | | | | | | | | | | |
| 3660012 | | DL-CS/2F/CC/WH | 2' CONNECTING 5 WIRE CABLE, WHITE | | | | | | | | | | |
| 3660013 | | DL-CS/4F/CC/WH | 4' CONNECTING 5 WIRE CABLE, WHITE | | | | | | | | | | |

Connector Images



Caution:

Electrical shock hazard possible when using interconnecting systems (cables or supplied 5 pin connector). As with all electrical devices, power must be off (electrical breaker) before removing and installing 5 pin port cover and connecting next linkable "Connect Strip" or "Connecting Cable". Refer to installation manual when installing.

LED FIXTURE

DL Series



LED Vapor Tight DL-VT4X (NEMA 4X)

Linear, IP66 NEMA 4X rated Luminaire



Features & Benefits

| | |
|---|---|
| CUL listed | IP 66 rated NEMA 4X, NSF certified |
| High impact composite grey housing, IK08 | 120-347V Auto-Sensing Driver |
| High impact diffuser 5VA IK08, frosted lens | 130 lm/W |
| Stainless steel clips included | 0-10V Dimming |
| Stainless steel mounting brackets included | Optional microwave motion sensor, emergency battery |
| c/w PG13.5 threaded cable gland | L70 @ 50,000 HRS |

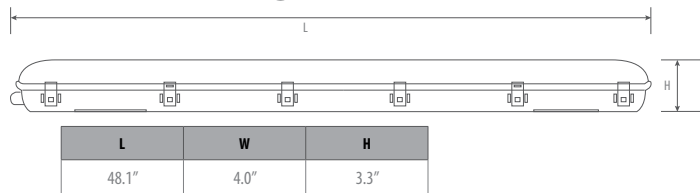
Warranty

5-year limited warranty in commercial use from the date of purchase
 Operating temperature range between -40°C and +55°C

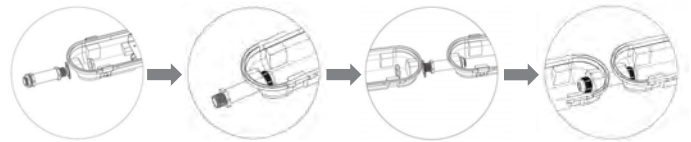
Applications

Indoor or outdoor, suitable for waterproof, dustproof and moistureproof needs*.
 *Special environment use, please contact your sales representative

Dimensional drawing



Connector Installation



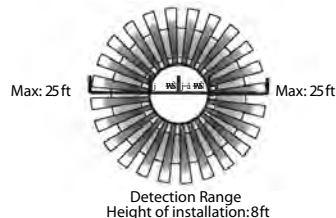
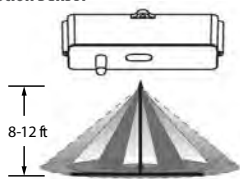
Wiring Connector: DL-VT4X/TWC

Product Specification

| Ordering Code | Model Number | Description | Watts (W) | Voltage (V) | Hour Rating | Beam Angle | Lumens (lm) | CCT (K) | CRI | Options | Case QTY. |
|---------------|------------------------------|--|-----------|-------------|-------------|------------|-------------|---------|-----|---------------------------|-----------|
| 3665300 | DL-VT4X/4F/40W/40/120-347V/D | Vapor Tight 4ft 40W 4000K 120-347V Auto-Sensing Driver 0-10V Dim | 40W | 120-347V | 50,000 | 120° | 5,300 | 4000 | >80 | Sensor, Emergency Battery | 4 |
| 3665301 | DL-VT4X/4F/40W/50/120-347V/D | Vapor Tight 4ft 40W 5000K 120-347V Auto-Sensing Driver 0-10V Dim | 40W | 120-347V | 50,000 | 120° | 5,300 | 5000 | >80 | Sensor, Emergency Battery | 4 |
| 3664301 | DL-VT4X/2F/24W/40/120-347V/D | Vapor Tight 2ft 24W 4000K 120-347V Auto-Sensing Driver 0-10V Dim | 24W | 120-347V | 50,000 | 120° | 3,100 | 4000 | >80 | Sensor, Emergency Battery | 4 |
| 3664302 | DL-VT4X/2F/24W/50/120-347V/D | Vapor Tight 2ft 24W 5000K 120-347V Auto-Sensing Driver 0-10V Dim | 24W | 120-347V | 50,000 | 120° | 3,100 | 5000 | >80 | Sensor, Emergency Battery | 4 |
| 3660110 | DL-VT4X/Remote | Hand Held Remote | | | | | | | | | |
| | DL-VT4X/TWC | Tandem Wiring Connector | | | | | | | | | |
| | S | Microwave Motion Sensor | | | | | | | | | |

Options Information

Motion Sensor



Vapor Tight Remote DL-VT4X/Remote



Maximum Operating Range: 33 feet

The following settings can be customized:

- Sensitivity for motion detection
- Hold Time
- Standby level 0/ 10/20/30 percent
- Standby time 24H/ 1M/ 30M/ 60M
- Level where the daylight sensor turn off the fixture

Default Settings:

Sensitivity 100%, Standby time 5min, Dimming level 30%
 Dimming time 60min

LED FIXTURE

DL Series

LED Vapor Tight DL-VT

Linear 4' or 8' IP65 rated luminaire, suitable for wet locations.



Features & Benefits

CUL listed, DLC Premium

High impact polycarbonate grey housing, IK08

High impact diffuser polycarbonate IK08, Opal lens

Stainless steel mounting brackets included

c/w PG13.5 threaded cable gland

0-10V Dimming / Philips / Meanwell LED Driver

LED module with LG / Everlight chip

130 lm/W

Stainless steel fastening clips

IP 65 rated

Optional microwave motion sensor

L70 @ 50,000 HRS

Warranty

5-year limited warranty in commercial use from the date of purchase

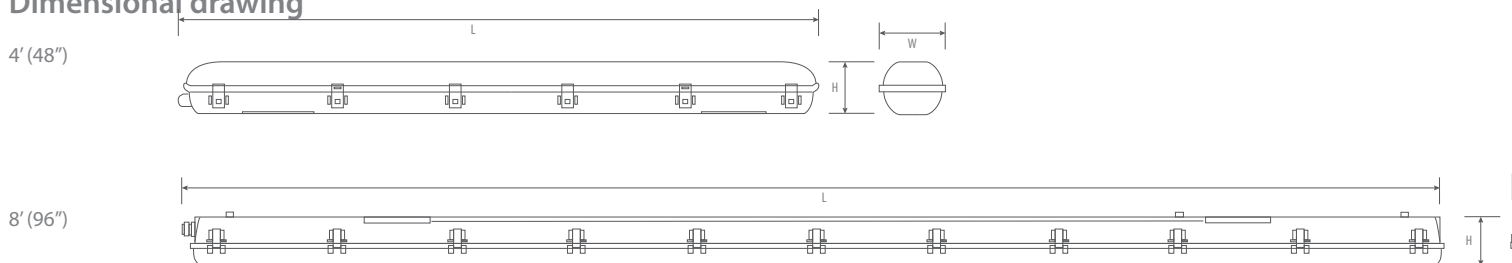
Operating temperature range between -20°C and +40°C

*Special environment use, please contact your sales representative

Applications

Indoor or outdoor, suitable for waterproof, dustproof and moistureproof needs**
Parking garage, Truck shop, Stairwell, Breeze way, Corridor, Car wash etc.

Dimensional drawing



| | L | W | H |
|----------|-------|------|------|
| 4' (48") | 48.0" | 4.9" | 4.1" |
| 8' (96") | 99.0" | 6.3" | 4.3" |



LED Vapor Tight

DL-VT

Ordering Information Example: DL-VT/4F/40W/40/UNV/D

| Family Name | Fixture Type | Size | Wattage | CCT | Voltage (V) | Dimmable | Options |
|---------------|------------------|--------------|---------------------|--|----------------------------------|--------------|-----------------------------|
| DL (Dentalum) | VT (Vapor Tight) | 4F(4 feet) | 40W 60W | 35 (3500K) 40 (4000K) 50 (5000K) | 120-347V | D (Dimmable) | S (Microwave Motion Sensor) |
| | | 8F(8 feet)** | 80W 100W 120W | | UNV (120-277V) HVU (347-480V) | | |

** NSF rated

Product Specification

| Ordering Code | DLC Premium | Model Number | Wattage (W) | Input Voltage (V) | Hour Rating | Beam Angle | Initial Delivered Lumens (lumen) | CCT (K) | CRI | M.O.L (inch) | Case QTY. |
|---------------|-------------|------------------------------|-------------------------|-------------------|-------------|------------|----------------------------------|---------|-----|--------------|-----------|
| 3665302 | Yes | DL-VT/4F/40W/35/120-347V/D | 40W | 120-347V | 50,000 | 120 | 5,200 | 3500K | >80 | 48 | 4 |
| 3665244 | Yes | DL-VT/4F/40W/40/120-347V/D | 40W | 120-347V | 50,000 | 120 | 5,200 | 4000K | >80 | 48 | 4 |
| 3665245 | Yes | DL-VT/4F/40W/50/120-347V/D | 40W | 120-347V | 50,000 | 120 | 5,200 | 5000K | >80 | 48 | 4 |
| 3666306 | Yes | DL-VT/4F/60W/35/120-347V/D | 60W | 120-347V | 50,000 | 120 | 7,800 | 3500K | >80 | 48 | 4 |
| 3666238 | Yes | DL-VT/4F/60W/40/120-347V/D | 60W | 120-347V | 50,000 | 120 | 7,800 | 4000K | >80 | 48 | 4 |
| 3666239 | Yes | DL-VT/4F/60W/50/120-347V/D | 60W | 120-347V | 50,000 | 120 | 7,800 | 5000K | >80 | 48 | 4 |
| 3665305 | Yes | DL-VT/4F/40W/35/120-347V/D/S | 40W | 120-347V | 50,000 | 120 | 5,200 | 3500K | >80 | 48 | 4 |
| 3665303 | Yes | DL-VT/4F/40W/40/120-347V/D/S | 40W | 120-347V | 50,000 | 120 | 5,200 | 4000K | >80 | 48 | 4 |
| 3665304 | Yes | DL-VT/4F/40W/50/120-347V/D/S | 40W | 120-347V | 50,000 | 120 | 5,200 | 5000K | >80 | 48 | 4 |
| 3666303 | Yes | DL-VT/4F/60W/35/120-347V/D/S | 60W | 120-347V | 50,000 | 120 | 7,800 | 3500K | >80 | 48 | 4 |
| 3666301 | Yes | DL-VT/4F/60W/40/120-347V/D/S | 60W | 120-347V | 50,000 | 120 | 7,800 | 4000K | >80 | 48 | 4 |
| 3666302 | Yes | DL-VT/4F/60W/50/120-347V/D/S | 60W | 120-347V | 50,000 | 120 | 7,800 | 5000K | >80 | 48 | 4 |
| 3666118 | Yes | DL-VT/8F/80W/40/UNV/D | 80W | 120-277V | 50,000 | 120 | 10,400 | 4000K | >80 | 96 | 1 |
| 3666119 | Yes | DL-VT/8F/80W/50/UNV/D | 80W | 120-277V | 50,000 | 120 | 10,400 | 5000K | >80 | 96 | 1 |
| 3666218 | Yes | DL-VT/8F/80W/40/HVU/D | 80W | 347V-480V | 50,000 | 120 | 10,400 | 4000K | >80 | 96 | 1 |
| 3666219 | Yes | DL-VT/8F/80W/50/HVU/D | 80W | 347V-480V | 50,000 | 120 | 10,400 | 5000K | >80 | 96 | 1 |
| 3666120 | No | DL-VT/8F/100W/40/UNV/D | 100W | 120-277V | 50,000 | 120 | 12,500 | 4000K | >80 | 96 | 1 |
| 3666221 | No | DL-VT/8F/100W/50/UNV/D | 100W | 120-277V | 50,000 | 120 | 12,500 | 5000K | >80 | 96 | 1 |
| 3667109 | Yes | DL-VT/8F/120W/40/UNV/D | 120W | 120-277V | 50,000 | 120 | 15,000 | 4000K | >80 | 96 | 1 |
| 3667110 | Yes | DL-VT/8F/120W/50/UNV/D | 120W | 120-277V | 50,000 | 120 | 15,000 | 5000K | >80 | 96 | 1 |
| 3667210 | Yes | DL-VT/8F/120W/40/HVU/D | 120W | 347V-480V | 50,000 | 120 | 15,000 | 4000K | >80 | 96 | 1 |
| 3667211 | Yes | DL-VT/8F/120W/50/HVU/D | 120W | 347V-480V | 50,000 | 120 | 15,000 | 5000K | >80 | 96 | 1 |
| 3666147 | No | DL-VT/8F/80W/40/UNV/D/S | 80W | 120-277V | 50,000 | 120 | 10,400 | 4000K | >80 | 96 | 1 |
| | | "S" | Microwave Motion Sensor | | | | | | | | |



LED FIXTURE

SSL Series



LED Circular HighBay SSL-CHB

120-347V Auto-Sensing Driver
1-10V dimming
Multiple Wattage and Multiple Kelvin (CCT) Selection



Features & Benefits

- cULus listed
- System light efficacy 145+ LPW
- 2 Fixture selection offers 18 solutions per fixture
- Switchable CCT (30K/40K/50K), Switchable Wattage
- White finish, with 10' power cord
- 1-10V DC dimming option
- IP65 rated, wet location

- Default Hook Mounting, Yoke Mount optional ordered separately
- CRI≥80, L70@ 50,000 Hrs
- Voltage 120-347V Auto-Sensing
- 90° Beam spread, PC Lens
- Installed sensor socket allows for ease of sensor installation, sensor sold separately

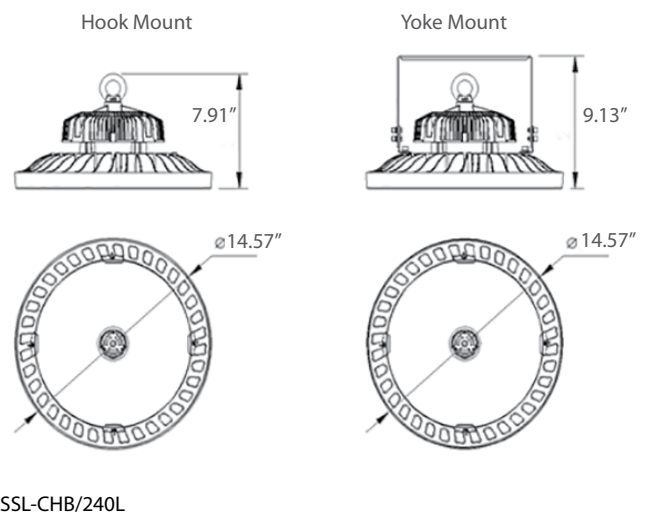
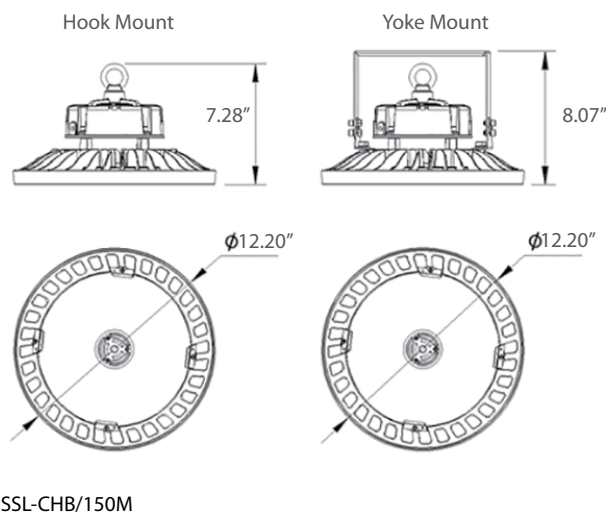
Warranty

5-year limited warranty in commercial use from the date of purchase
Operating temperature range between -40°C and +55°C

Applications

Warehouse/Manufacturing Facilities, Convention Centers/Sporting Arenas
Big-Box Retail Stores, Cold Storage Facilities, Gymnasiums

Dimensional drawing





LED Circular HighBay SSL-CHB

Ordering Information Example: SSL-CHB/150M/MW/MK/120-347V/HK/D

| Family Name | Fixture Type | Size | Wattage | CCT (Kelvin) | Voltage | Installation | Dimmable | Options |
|-------------------------------|---------------------------|---|-----------------------|-------------------|----------|--------------|--------------|--|
| SSL (Solid State Lighting) | CHB (Circular Highbay) | 150M (Max 150w Medium Size) 240L (Max 240w Large Size) | MW (Multi Wattage) | MK (Multi CCT) | 120-347V | HK (Hook) | D (Dimmable) | SSL-CHB/LV/12V/SENSOR SSL-CHB/LV/12/CONTROLLER SSL-CHB/150M/PC/HOOD SSL-CHB/240L/PC/HOOD SSL-CHB/150M/PC/LENS SSL-CHB/240L/PC/LENS SSL-CHB/150M/WG SSL-CHB/240L/WG SSL-CHB/YOKE SSL-CHB/PEN/ADT |

Product Specification

| Ordering Code | Model Number | Wattage (W) | Input Voltage (V) | Hour Rating | Initial Delivered Lumens (lumen) | CCT (K) | CRI | Optics/ Distribution | Dimension DIA×H(inch)* | Case QTY. | |
|---------------|----------------------------------|--|-------------------|-------------|----------------------------------|----------|-----|----------------------|------------------------|-----------|--|
| 3680300 | SSL-CHB/150M/MW/MK/120-347V/HK/D | 150-120-90 | 120-347V | 50,000 | 23250-18600-13950 | 30-40-50 | ≥80 | Type V | 12.20×7.28 | 1 | |
| 3680301 | SSL-CHB/240L/MW/MK/120-347V/HK/D | 240-210-180 | 120-347V | 50,000 | 37200-32550-27900 | 30-40-50 | ≥80 | Type V | 14.57×7.91 | 1 | |
| 3660159 | SSL-CHB/LV/12V/SENSOR | SSL CHB HighBay LED 12V DC Microwave Sensor | | | | | | | | | |
| 3660160 | SSL-CHB/LV/12/CONTROLLER | SSL CHB HighBay 12V DC Microwave Sensor Remote Control (required for programing) | | | | | | | | | |
| 3660161 | SSL-CHB/150M/PC/HOOD | SSL CHB Polycarbonate Hood for 150M | | | | | | | | | |
| 3660162 | SSL-CHB/240L/PC/HOOD | SSL CHB HighBay Polycarbonate Hood for 240L | | | | | | | | | |
| 3660163 | SSL-CHB/150M/PC/LENS | SSL CHB HighBay Polycarbonate Lens for 150M | | | | | | | | | |
| 3660164 | SSL-CHB/240L/PC/LENS | SSL CHB HighBay Polycarbonate Lens for 240L | | | | | | | | | |
| 3660165 | SSL-CHB/150M/WG | SSL CHB HighBay Wire Guard for 150M | | | | | | | | | |
| 3660166 | SSL-CHB/240L/WG | SSL CHB HighBay Wire Guard for 240L | | | | | | | | | |
| 3660167 | SSL-CHB/YOKE | SSL CHB HighBay Optional Yoke Mount | | | | | | | | | |
| 3660168 | SSL-CHB/PEN/ADT | SSL CHB HighBay Optional 3/4" Pendant Adapter to be installed on Yoke Mount Bracket. | | | | | | | | | |

*Height with Hook Mount



SSL-CHB/SENSOR



SSL-CHB/CONTROLLER



SSL-CHB/PC/HOOD



SSL-CHB/PC/LENS



SSL-CHB/WG



SSL-CHB/YOKE



SSL-CHB/PEN/ADT



Twist locked DC sensor
(sold separately)





LED FIXTURE

SSL Series



LED High Bay-Xclusive High Ceiling SSL-XHC

Compact design combined with a low profile makes this the performer you need for your next high ceiling application.



Features & Benefits

cUL listed, DLC Premium

System light efficacy 130 LPW

Strong Cast Aluminium body

Tilted heat sink back design for easy wash-off

Superior thermal conductivity

White finish

10 ft power cord

NEMA 4X certified

CRI≥80, L70@ 50,000 Hrs

Voltage 120-277V and 347V

90° Beam spread, PC Lens

1-10V dimming

IP65 rated, wet location

Warranty

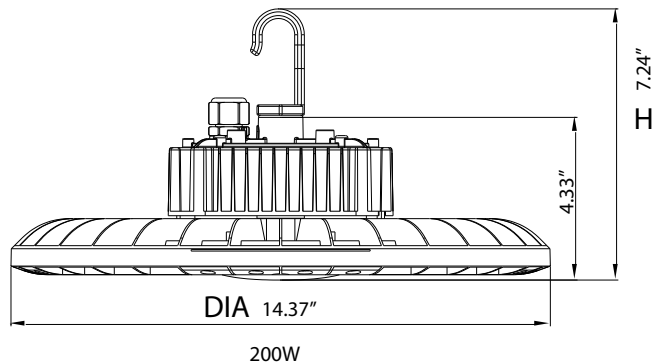
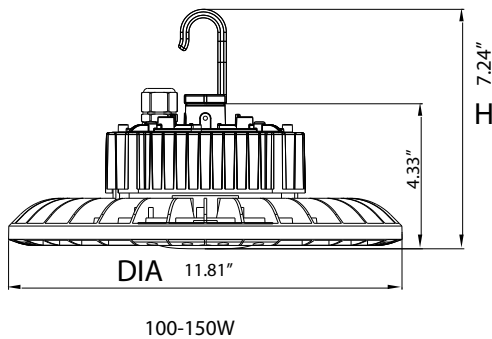
5-year limited warranty in commercial use from the date of purchase

Operating temperature range between -20°C and +50°C

Applications

Warehouse/Manufacturing Facilities, Convention Centers/Sporting Arenas
Big-Box Retail Stores, Cold Storage Facilities, Gymnasiums

Dimensional drawing





LED High Bay-Xclusive High Ceiling

SSL-XHC

Ordering Information Example: SSL-XHC/100W/40/UNV/HK/D

| Family Name | Fixture Type | Wattage | CCT | Voltage (V) | Mounting | Dimmable | Options |
|----------------------------|-----------------------------|----------------------|--------------------------|------------------------|-----------------------|-------------------|--|
| SSL (Solid State Lighting) | XHC (Xclusive High Ceiling) | 100W 150W 200W | 40 (4000K) 50 (5000K) | UNV (120-277V) 347V | HK (Hook Mounting) | D (1-10V dimming) | SSL-XHC/16/AL/HOOD/90D SSL-XHC/16/PC/HOOD/90D SSL-XHC/COLLAR |

Product Specification

| Ordering Code | DLC (Premium) | Model Number | Wattage (W) | Input Voltage (V) | Hour Rating | Initial Delivered Lumens (lumen) | CCT (K) | CRI | Optics/ Distribution | Dimension DIA×H(inch) | Case QTY. |
|---------------|---------------|---------------------------|--|-------------------|-------------|----------------------------------|---------|-----|----------------------|-----------------------|-----------|
| 3367130 | Y | SSL-XHC/100W/40/UNV/HK/D | 100 | 120-277 | 50,000 | 13000 | 4000 | ≥80 | Type V | 11.81×7.24 | 1 |
| 3667131 | Y | SSL-XHC/100W/50/UNV/HK/D | 100 | 120-277 | 50,000 | 13000 | 5000 | ≥80 | Type V | 11.81×7.24 | 1 |
| 3667232 | Y | SSL-XHC/100W/40/347V/HK/D | 100 | 347 | 50,000 | 13000 | 4000 | ≥80 | Type V | 11.81×7.24 | 1 |
| 3667233 | Y | SSL-XHC/100W/50/347V/HK/D | 100 | 347 | 50,000 | 13000 | 5000 | ≥80 | Type V | 11.81×7.24 | 1 |
| 3667132 | Y | SSL-XHC/150W/40/UNV/HK/D | 150 | 120-277 | 50,000 | 19500 | 4000 | ≥80 | Type V | 11.81×7.24 | 1 |
| 3667133 | Y | SSL-XHC/150W/50/UNV/HK/D | 150 | 120-277 | 50,000 | 19500 | 5000 | ≥80 | Type V | 11.81×7.24 | 1 |
| 3667234 | Y | SSL-XHC/150W/40/347V/HK/D | 150 | 347 | 50,000 | 19500 | 4000 | ≥80 | Type V | 11.81×7.24 | 1 |
| 3667235 | Y | SSL-XHC/150W/50/347V/HK/D | 150 | 347 | 50,000 | 19500 | 5000 | ≥80 | Type V | 11.81×7.24 | 1 |
| 3667134 | Y | SSL-XHC/200W/40/UNV/HK/D | 200 | 120-277 | 50,000 | 26000 | 4000 | ≥80 | Type V | 14.37×7.24 | 1 |
| 3667135 | Y | SSL-XHC/200W/50/UNV/HK/D | 200 | 120-277 | 50,000 | 26000 | 5000 | ≥80 | Type V | 14.37×7.24 | 1 |
| 3667236 | Y | SSL-XHC/200W/40/347V/HK/D | 200 | 347 | 50,000 | 26000 | 4000 | ≥80 | Type V | 14.37×7.24 | 1 |
| 3667237 | Y | SSL-XHC/200W/50/347V/HK/D | 200 | 347 | 50,000 | 26000 | 5000 | ≥80 | Type V | 14.37×7.24 | 1 |
| 3660139 | | SSL-XHC/16/AL/HOOD/90D | 90 Degree 16" Aluminium Hood | | | | | | | | |
| 3660140 | | SSL-XHC/16/PC/HOOD/90D | 90 Degree 16" Polycarbonate Hood | | | | | | | | |
| 3660141 | | SSL-XHC/COLLAR | Adapter Ring, Required for 100W & 150W High Bay Hood Install | | | | | | | | |

Consult factory for additional options, Sensor, EM pack, Blue Tooth.



90 Degree 16" Aluminium Hood
SSL-XHC/16/AL/HOOD/90D



90 Degree 16" Polycarbonate Hood
SSL-XHC/16/PC/HOOD/90D



LED FIXTURE

SSL Series

LED High Bay SSL-UHB

LED High Bay Lighting Fixture with Magnesium Alloy heatsink



Features & Benefits

cETC listed, DLC Premium

System light efficacy 130 LPW

Magnesium Alloy material, lighter in weight

Tilted heat sink back design for easy wash-off

Superior electrical and thermal conductivity

Durable TGIC painting **White** finish, better for tough weather conditions

10 ft power cord

LG LED Chip

CRI≥80, L70@ 100,000 Hrs

Voltage 120-277V and 347/480V

120° Beam spread

1-10V dimming

IP65 rated, wet location

Warranty

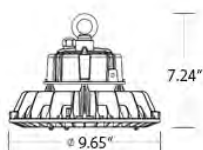
5-year limited warranty in commercial use from the date of purchase

Operating temperature range between -40°C and +50°C

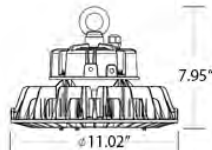
Applications

Warehouse/Manufacturing Facilities, Convention Centers/Sporting Arenas
Big-Box Retail Stores, Cold Storage Facilities, Gymnasiums

Dimensional drawing



100W



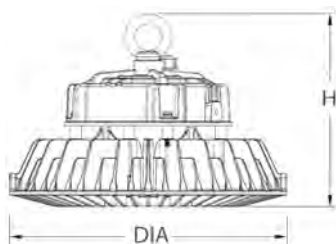
150W



200W



240W



| | DIA | H |
|------|--------|-------|
| 100W | 9.65" | 7.24" |
| 150W | 11.02" | 7.95" |
| 200W | 11.81" | 8.23" |
| 240W | 11.81" | 8.23" |



LED High Bay

SSL-UHB

Ordering Information Example: SSL-UHB/100W/50/UNV/HK/D

| Family Name | Fixture Type | Wattage | CCT | Voltage (V) | Mounting | Dimmable | Options |
|----------------------------|--------------------------|------------------------------|------------|----------------------------------|-----------------------|-------------------|--|
| SSL (Solid State Lighting) | UHB (Universal High Bay) | 100W 150W 200W 240W | 50 (5000K) | UNV (120-277V) HVV (347/480V) | HK (Hook Mounting) | D (1-10V dimming) | SSL-UHB/14/AL/HOOD/90D SSL-UHB/16/PC/HOOD/70D SSL-UHB/PC/DIFFUSER/17UP SSL-UHB/JBOX SSL-UHB/SENSOR SSL-UHB/IP65JBOX |



HK (Hook Mounting)

Product Specification

| Ordering Code | DLC (Premium) | Model Number | Wattage (W) | Input Voltage (V) | Hour Rating | Initial Delivered Lumens (lumen) | CCT (K) | CRI | Dimension DIA×H(inch) | Case QTY. |
|---------------|---------------|--------------------------|--|-------------------|-------------|----------------------------------|---------|-----|-----------------------|-----------|
| 3666123 | Y | SSL-UHB/100W/50/UNV/HK/D | 100 | 120-277V | 100,000 | 13,000 | 5000 | ≥80 | 9.65×7.24 | 1 |
| 3666228 | Y | SSL-UHB/100W/50/HVV/HK/D | 100 | 347/480V | 100,000 | 13,000 | 5000 | ≥80 | 9.65×7.24 | 1 |
| 3667115 | Y | SSL-UHB/150W/50/UNV/HK/D | 150 | 120-277V | 100,000 | 19,500 | 5000 | ≥80 | 11.02×7.95 | 1 |
| 3667217 | Y | SSL-UHB/150W/50/HVV/HK/D | 150 | 347/480V | 100,000 | 19,500 | 5000 | ≥80 | 11.02×7.95 | 1 |
| 3667116 | Y | SSL-UHB/200W/50/UNV/HK/D | 200 | 120-277V | 100,000 | 26,000 | 5000 | ≥80 | 11.81×8.23 | 1 |
| 3667218 | Y | SSL-UHB/200W/50/HVV/HK/D | 200 | 347/480V | 100,000 | 26,000 | 5000 | ≥80 | 11.81×8.23 | 1 |
| 3667129 | Y | SSL-UHB/240W/50/UNV/HK/D | 240 | 120-277V | 100,000 | 34,800 | 5000 | ≥80 | 11.81×8.23 | 1 |
| 3667231 | Y | SSL-UHB/240W/50/HVV/HK/D | 240 | 347/480V | 100,000 | 34,800 | 5000 | ≥80 | 11.81×8.23 | 1 |
| 3660041 | | SSL-UHB/14/AL/HOOD/90D | 90 Degree 14" Aluminium Hood | | | | | | | |
| 3660042 | | SSL-UHB/16/PC/HOOD/70D | 70 Degree 16" Polycarbonate Hood | | | | | | | |
| 3660043 | | SSL-UHB/PC/DIFFUSER/17UP | 180 Degree Polycarbonate Diffuser w/ 17% up light. | | | | | | | |
| 3660044 | | SSL-UHB/JBOX | Junction Box for Conduit Mtg, Through Wiring, White Finish | | | | | | | |
| 3660045 | | SSL-UHB/SENSOR | Sensor, 120-277V, Daylight & Motion sensing. | | | | | | | |
| 3660046 | | SSL-UHB/IP65JBOX | IP65 Junction Box (use with Sensor) applications. | | | | | | | |



90° Aluminium Reflector
SSL-UHB/14/AL/HOOD/90D



70° PC Reflector
SSL-UHB/16/PC/HOOD/70D



180° PC Lens
SSL-UHB/PC/DIFFUSER/17UP



Junction Box
SSL-UHB/JBOX



Sensor
SSL-UHB/SENSOR



Junction Box (use with sensor)
SSL-UHB/IP65JBOX



LED FIXTURE

SSL Series



LED Linear High Bay SSL-LHB3

Offering quality lighting and excellent energy savings compared to linear fluorescent and HID high bay fixtures.



Features & Benefits

- cUL listed, DLC Premium
- Available with lumen outputs from 11,475 to 34,425 lumens
- System light efficacy ≥ 130 lm/W
- 120-347V Auto-sensing driver
- 0-10V dimming, product can dim down to 10%
- Damp location rated, L70@ 100,000Hrs

- CRI >80
- Formed steel housing with white powder coat finish/ Frosted lens
- 120° Beam spread
- 10' White Cord, 10' Aircraft Cable (set)
- Equipped with 12V receptacle, for Microwave Motion Sensor option

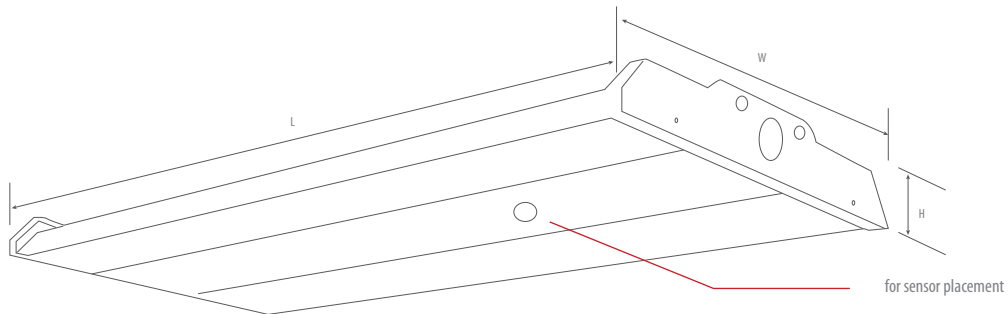
Warranty

- 5-year limited warranty in commercial use from the date of purchase
- Operating temperature range between -20°C and +50°C

Applications

Warehouse, Factory, Convention Center, Gymnasium etc.

Dimensional drawing



| | L | W | H |
|---------------|-------|--------|----|
| 85W,130W,170W | 24.8" | 15" | 2" |
| 255W | 46.5" | 18.90" | 2" |



LED Linear High Bay

SSL-LHB3

Ordering Information Example: SSL-LHB3/85W/40/120-347V/AC/D

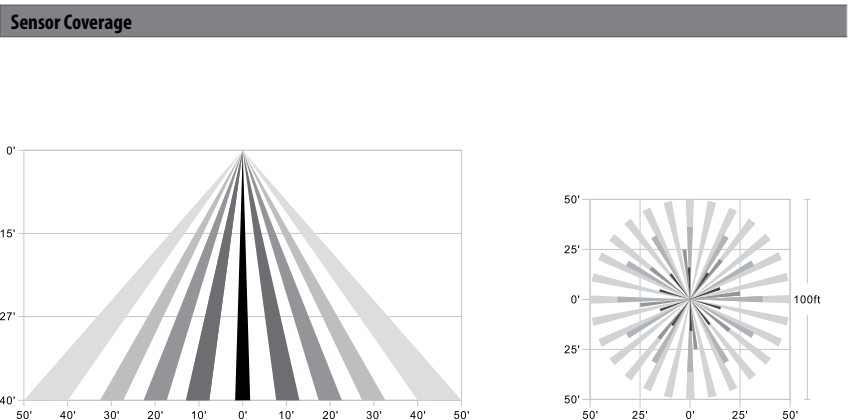
| Family Name | Fixture Type | Wattage | CCT | Voltage (V) | Mounting | Dimmable | Option |
|-------------------------------|---------------------------|-----------------------------|--------------------------|-------------|--------------------------------|-----------------|---|
| SSL (Solid State Lighting) | LHB3 (Linear High Bay) | 85W 130W 170W 255W | 40 (4000K) 50 (5000K) | 120-347V | AC (Aircraft Cable 10' set) | D (Dimmable) | 12V Microwave Sensor (Field Install) |

Product Specification

| Ordering Code | DLC (Premium) | Model Number | Wattage (W) | Input Voltage (V) | Hour Rating | Initial Delivered Lumens (lumen) | CCT (K) | CRI | Dimension L×W×H(inch) | Case QTY. | |
|---------------|---------------|--------------------------------|---|-------------------|-------------|----------------------------------|---------|-----|-----------------------|-------------|---|
| 3666307 | Y | SSL-LHB3/85W/40/120-347V/AC/D | 85 | 120-347V | 100,000 | 11475 | 4000 | >80 | 24.8" x 15" x 2" | 1 | |
| 3666308 | Y | SSL-LHB3/85W/50/120-347V/AC/D | 85 | 120-347V | 100,000 | 11475 | 5000 | >80 | 24.8" x 15" x 2" | 1 | |
| 3667300 | Y | SSL-LHB3/130W/40/120-347V/AC/D | 130 | 120-347V | 100,000 | 17550 | 4000 | >80 | 24.8" x 15" x 2" | 1 | |
| 3667301 | Y | SSL-LHB3/130W/50/120-347V/AC/D | 130 | 120-347V | 100,000 | 17550 | 5000 | >80 | 24.8" x 15" x 2" | 1 | |
| 3667302 | Y | SSL-LHB3/170W/40/120-347V/AC/D | 170 | 120-347V | 100,000 | 22950 | 4000 | >80 | 24.8" x 15" x 2" | 1 | |
| 3667303 | Y | SSL-LHB3/170W/50/120-347V/AC/D | 170 | 120-347V | 100,000 | 22950 | 5000 | >80 | 24.8" x 15" x 2" | 1 | |
| 3668301 | Y | SSL-LHB3/255W/40/120-347V/AC/D | 255 | 120-347V | 100,000 | 34425 | 4000 | >80 | 46.5" x 18.9" x 2" | 1 | |
| 3668302 | Y | SSL-LHB3/255W/50/120-347V/AC/D | 255 | 120-347V | 100,000 | 34425 | 5000 | >80 | 46.5" x 18.9" x 2" | 1 | |
| 3660090 | | SSL-LHB2/MWG | Medium wire guard (for 90W, 135W, 175W LHB2 & 85W, 130W, 170W LHB3) | | | | | | | 25" x 15" | 1 |
| 3660142 | | SSL-LHB3/SWG | Large wire guard for 255W | | | | | | | 47" x 15.5" | 1 |
| 3660145 | | SSL-LHB3/LV/12V/SENSOR | 12V DC Microwave Motion Sensor | | | | | | | | |
| 3660146 | | SSL-LHB3/LV/12V/CONTROLLER | 12V DC Microwave Motion Sensor Remote Control(required for programming) | | | | | | | | |



| Sensor Specifications | |
|-----------------------|---|
| Input voltage | 12V DC |
| Power Consumption | 0.1W |
| Dimming | 0-10V |
| Mounting height | 40ft Max. |
| Detection range | 100ft Max. |
| Op. temperature | -30°F~131°F (-30°C~55°C) |
| IP rate | IP65 |
| Mode setting | A, B, C, D, E |
| Dimming level setting | 10%, 20%, 30%, 50%, 60%, 70%, 80%, 100% |
| Delay time setting | 10s, 1min, 5min, 10min, 30min |
| Certification | UL |
| Warranty | Five year warranty |





LED FIXTURE

SSL Series



LED Linear High Bay SSL-LHB2

Offering quality lighting and excellent energy savings compared to linear fluorescent and HID high bay fixtures.



Features & Benefits

CUL listed, DLC Premium

Available with lumen outputs from 11,700 to 34,715 lumens

System light efficacy \geq 130 lm/W

Voltage 120-277V/ 347V

1-10V dimmable

Damp location rated, L70@ 100,000Hrs

CRI >80

Formed steel housing with white powder coat finish/ Frosted lens

120° Beam spread

10' White Cord, 10' Aircraft Cable (set)

Warranty

5-year limited warranty in commercial use from the date of purchase

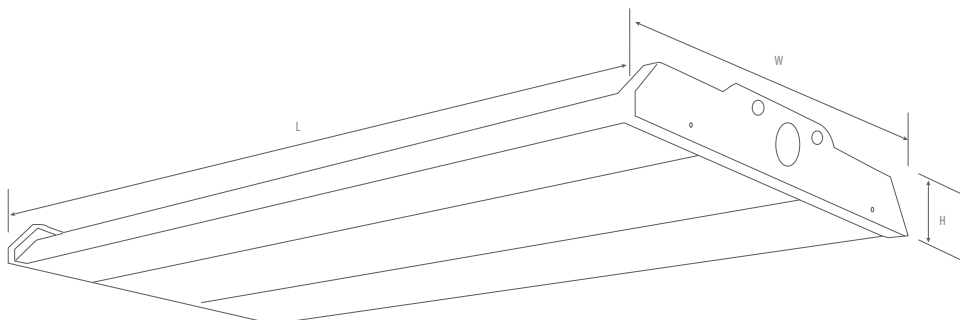
Operating temperature range between -20°C and +50°C

* DLC under qualifying process Q2, 2018

Applications

Warehouse, Factory, Convention Center, Gymnasium etc.

Dimensional drawing



| | L | W | H |
|---------------|-------|--------|----|
| 90W,135W,175W | 24.8" | 15" | 2" |
| 265W | 24.8" | 18.90" | 2" |



LED Linear High Bay

SSL-LHB2

Ordering Information Example: SSL-LHB2/90W/40/UNV/AC/D

| Family Name | Fixture Type | Wattage | CCT | Voltage (V) | Mounting | Dimmable |
|-------------------------------|---------------------------|-----------------------------|--------------------------|-----------------------------|--------------------------------|-----------------|
| SSL (Solid State Lighting) | LHB2 (Linear High Bay) | 90W 135W 175W 265W | 40 (4000K) 50 (5000K) | UNV (120-277V) 347(347V) | AC (Aircraft Cable 10' set) | D (Dimmable) |

Product Specification

| Ordering Code | DLC (Premium) | Model Number | Wattage (W) | Input Voltage (V) | Hour Rating | Initial Delivered Lumens (lumen) | CCT (K) | CRI | Dimension L×W×H(inch) | Case QTY. |
|---------------|---------------|---------------------------|--|-------------------|-------------|----------------------------------|---------|-----|-----------------------|-----------|
| 3666128 | Y | SSL-LHB2/90W/40/UNV/AC/D | 90 | 120-277V | 100,000 | 11,700 | 4000 | >80 | 24.8" × 15" × 2" | 1 |
| 3666129 | Y | SSL-LHB2/90W/50/UNV/AC/D | 90 | 120-277V | 100,000 | 11,790 | 5000 | >80 | 24.8" × 15" × 2" | 1 |
| 3666233 | Y | SSL-LHB2/90W/40/347/AC/D | 90 | 347V | 100,000 | 11,700 | 4000 | >80 | 24.8" × 15" × 2" | 1 |
| 3666234 | Y | SSL-LHB2/90W/50/347/AC/D | 90 | 347V | 100,000 | 11,790 | 5000 | >80 | 24.8" × 15" × 2" | 1 |
| 3667117 | Y | SSL-LHB2/135W/40/UNV/AC/D | 135 | 120-277V | 100,000 | 17,550 | 4000 | >80 | 24.8" × 15" × 2" | 1 |
| 3667118 | Y | SSL-LHB2/135W/50/UNV/AC/D | 135 | 120-277V | 100,000 | 17,685 | 5000 | >80 | 24.8" × 15" × 2" | 1 |
| 3667219 | Y | SSL-LHB2/135W/40/347/AC/D | 135 | 347V | 100,000 | 17,550 | 4000 | >80 | 24.8" × 15" × 2" | 1 |
| 3667220 | Y | SSL-LHB2/135W/50/347/AC/D | 135 | 347V | 100,000 | 17,685 | 5000 | >80 | 24.8" × 15" × 2" | 1 |
| 3667119 | Y | SSL-LHB2/175W/40/UNV/AC/D | 175 | 120-277V | 100,000 | 23,140 | 4000 | >80 | 24.8" × 15" × 2" | 1 |
| 3667120 | Y | SSL-LHB2/175W/50/UNV/AC/D | 175 | 120-277V | 100,000 | 23,318 | 5000 | >80 | 24.8" × 15" × 2" | 1 |
| 3667221 | Y | SSL-LHB2/175W/40/347/AC/D | 175 | 347V | 100,000 | 23,140 | 4000 | >80 | 24.8" × 15" × 2" | 1 |
| 3667222 | Y | SSL-LHB2/175W/50/347/AC/D | 175 | 347V | 100,000 | 23,318 | 5000 | >80 | 24.8" × 15" × 2" | 1 |
| 3668104 | Y | SSL-LHB2/265W/40/UNV/AC/D | 265 | 120-277V | 100,000 | 34,450 | 4000 | >80 | 24.8" × 18.9" × 2" | 1 |
| 3668105 | Y | SSL-LHB2/265W/50/UNV/AC/D | 265 | 120-277V | 100,000 | 34,715 | 5000 | >80 | 24.8" × 18.9" × 2" | 1 |
| 3668204 | Y | SSL-LHB2/265W/40/347/AC/D | 265 | 347V | 100,000 | 34,450 | 4000 | >80 | 24.8" × 18.9" × 2" | 1 |
| 3668205 | Y | SSL-LHB2/265W/50/347/AC/D | 265 | 347V | 100,000 | 34,715 | 5000 | >80 | 24.8" × 18.9" × 2" | 1 |
| 3660090 | | SSL-LHB2/MWG | Medium wire guard (for 90W, 135W, 175W LHB2) | | | | | | | |
| 3660091 | | SSL-LHB2/LWG | Large wire guard (for 265W LHB2) | | | | | | | |



LED FIXTURE

SSL Series



LED Area Light SSL-AL2

Outstanding photometric performance, excellent uniform illumination, low profile construction, high efficacy and long lifespan, it's ideal for commercial lighting application.



100W & 150W



200W



240W & 300W



Features & Benefits

cUL listed

120-347 Auto Sensing driver, 1-10V dimming

Lighting Efficiency 130lm/W

Optional installation of **Slipfitter, Yoke, Trunnion** and **Pole Mount** Mounting ordered separately

IES Type V, Type IV and Type III for optimized light distribution (Type III is default, Type V lens and Type IV lens ordered separately)

Cast aluminium design, Dark Bronze

5000K and 4000K available

CRI>80, L70 @ 50,000 Hrs

IP65 rated, wet location

Area light is complete with installed photocell receptacle and "Shorting Cap" for ease of photocell application if desired. Photocell is an option and sold separately.

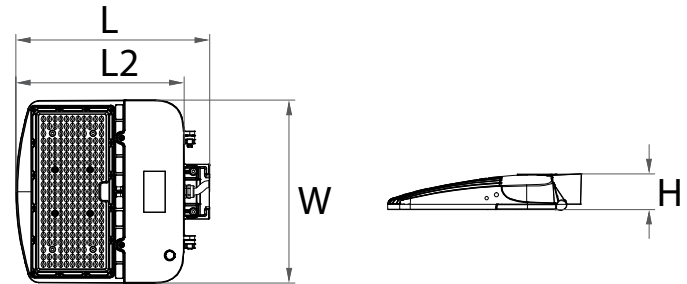
Warranty

5-year limited warranty in commercial use from the date of purchase

Operating temperature range between -40°C and +45°C

Applications

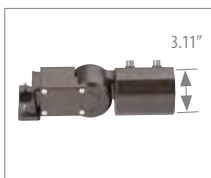
Parks, Shopping Malls, Outlets, Parking Lots, Historical Sites, Road Lighting



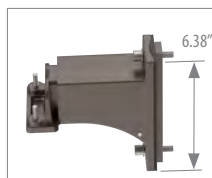
Ordering Information Example: SSL-AL2/T3/100W/40/120-347V/DB/D/SCR

| Family Name | Fixture Type | Light Distribution Type | Wattage | CCT | Voltage (V) | Body Finish | Dimmable | Others | Options |
|----------------------------|---------------------------|-------------------------|--------------------------------------|--------------------------|-------------|---------------------|-----------------|----------------------------------|--|
| SSL (Solid State Lighting) | AL2 (Area Lighter-AL2) | T3 (Type III)* | 100W 150W 200W 240W 300W | 40 (4000K) 50 (5000K) | 120-347V | DB (Dark Bronze) | D (Dimmable) | SCR (shorting cap receptacle) | SSL-AL2/SSF-MTG/DB SSL-AL2/SQ-RD-POLE-MTG/DB SSL-AL2/TRUN-MTG/DB SSL-AL2/YOKEM-MTG/DB SSL-AL2/YOKEL-MTG/DB SSL-AL2/UNV-PC SSL-AL2/HVU-PC SSL-AL2/T4-S/LENS SSL-AL2/T4-S/LENSM SSL-AL2/T5/LENS SSL-AL2/T5/LENSM SSL-AL/WP/WC SSL-AL/WALL-MTG/DB |

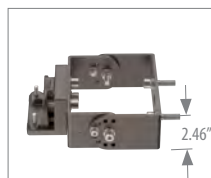
* Type III is default, you can order the optional lens separately for Type V (T5) and Type IV (T4).



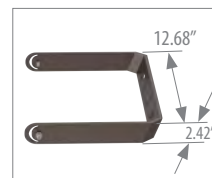
SSL-AL2/SSF-MTG/DB



SSL-AL2/SQ-RD-POLE-MTG/DB



SSL-AL2/TRUN-MTG/DB



SSL-AL2/YOKEM-MTG/DB
SSL-AL2/YOKEL-MTG/DB



SSL-AL2/UNV-PC
SSL-AL2/HVU-PC



SSL-AL2/T4-S/LENS
SSL-AL2/T5/LENS



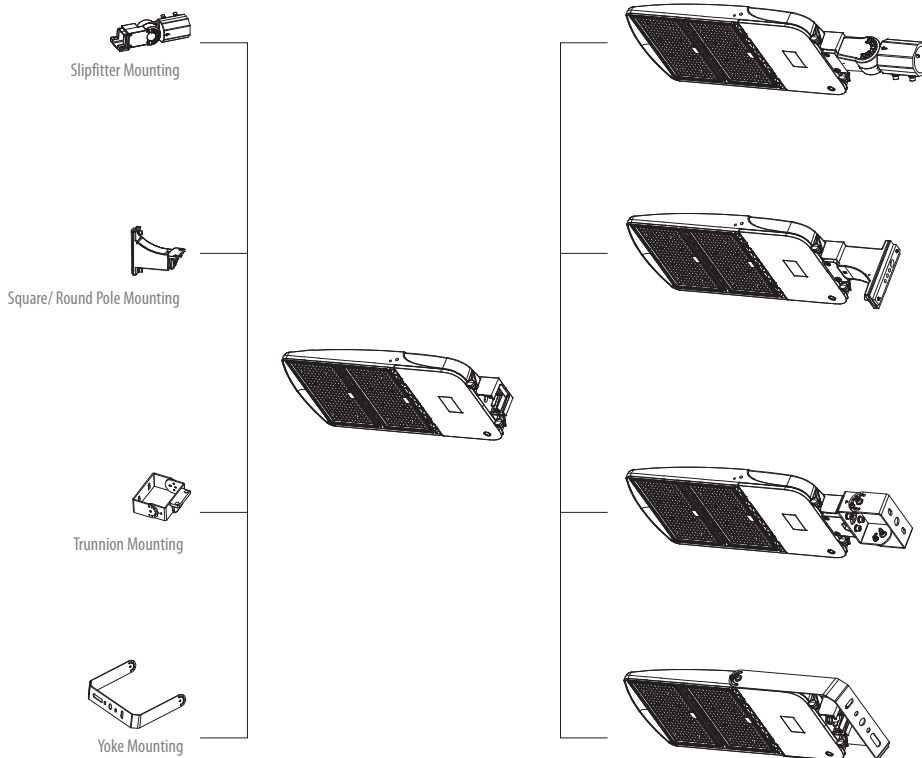
LED Area Light

SSL-AL2

Product Specification

| Ordering Code | Model Number | Wattage (W) | Input Voltage (V) | Hour Rating | Optics/Distribution | Initial Delivered Lumens (lm) | CCT (K) | CRI | Dimension LxWxH - L2 (inch) | Case QTY. |
|---------------|--------------------------------------|--|-------------------|-------------|---------------------|-------------------------------|---------|-----|-----------------------------|-----------|
| 3666318 | SSL-AL2/T3/100W/40/120-347V/DB/D/SCR | 100 | 120-347 | 50,000 | Type III | 13,000 | 4000 | 80 | 13.14 X 12.4 X 2.42 - 11.41 | 1 |
| 3666319 | SSL-AL2/T3/100W/50/120-347V/DB/D/SCR | 100 | 120-347 | 50,000 | Type III | 13,000 | 5000 | 80 | 13.14 X 12.4 X 2.42 - 11.41 | 1 |
| 3667304 | SSL-AL2/T3/150W/40/120-347V/DB/D/SCR | 150 | 120-347 | 50,000 | Type III | 19,500 | 4000 | 80 | 13.14 X 12.4 X 2.42 - 11.41 | 1 |
| 3667305 | SSL-AL2/T3/150W/50/120-347V/DB/D/SCR | 150 | 120-347 | 50,000 | Type III | 19,500 | 5000 | 80 | 13.14 X 12.4 X 2.42 - 11.41 | 1 |
| 3667306 | SSL-AL2/T3/200W/40/120-347V/DB/D/SCR | 200 | 120-347 | 50,000 | Type III | 26,000 | 4000 | 80 | 14.84 X 12.4 X 2.42 - 13.11 | 1 |
| 3667307 | SSL-AL2/T3/200W/50/120-347V/DB/D/SCR | 200 | 120-347 | 50,000 | Type III | 26,000 | 5000 | 80 | 14.84 X 12.4 X 2.42 - 13.11 | 1 |
| 3667308 | SSL-AL2/T3/240W/40/120-347V/DB/D/SCR | 240 | 120-347 | 50,000 | Type III | 31,200 | 4000 | 80 | 22.72 X 12.4 X 2.42 - 20.99 | 1 |
| 3667309 | SSL-AL2/T3/240W/50/120-347V/DB/D/SCR | 240 | 120-347 | 50,000 | Type III | 31,200 | 5000 | 80 | 22.72 X 12.4 X 2.42 - 20.99 | 1 |
| 3668303 | SSL-AL2/T3/300W/40/120-347V/DB/D/SCR | 300 | 120-347 | 50,000 | Type III | 39,000 | 4000 | 80 | 22.72 X 12.4 X 2.42 - 20.99 | 1 |
| 3668304 | SSL-AL2/T3/300W/50/120-347V/DB/D/SCR | 300 | 120-347 | 50,000 | Type III | 39,000 | 5000 | 80 | 22.72 X 12.4 X 2.42 - 20.99 | 1 |
| 3660169 | SSL-AL2/SSF-MTG/DB | Male Adjustable Slip Fitter, Dark Bronze (Fits 2 3/8" Tenon) | | | | | | | | |
| 3660170 | SSL-AL2/SQ-RD-POLE-MTG/DB | Universal Male Straight Arm for Square/Round Pole, Dark Bronze | | | | | | | | |
| 3660172 | SSL-AL2/TRUN-MTG/DB | Male Adjustable Trunnion Mounting, Dark Bronze | | | | | | | | |
| 3660174 | SSL-AL2/YOKEM-MTG/DB | Yoke mounting, Dark Bronze (for 100W, 150W and 200W units) | | | | | | | | |
| 3660175 | SSL-AL2/YOKEL-MTG/DB | Yoke mounting, Dark Bronze (for 240W and 300W units) | | | | | | | | |
| 3660177 | SSL-AL2/UNV-PC | Photocell control (120 -277V) | | | | | | | | |
| 3660178 | SSL-AL2/HVU-PC | Photocell control (120-347V) | | | | | | | | |
| 3660179 | SSL-AL2/T4-S/LENSSL | SSL-AL2 Type IV Lens (for 100W, 150W, 240W and 300W units) | | | | | | | | |
| 3660180 | SSL-AL2/T4-S/LENSM | SSL-AL2 Type IV Lens (for 200W unit) | | | | | | | | |
| 3660181 | SSL-AL2/T5/LENSSL | SSL-AL2 Type V Lens (for 100W, 150W, 240W and 300W units) | | | | | | | | |
| 3660182 | SSL-AL2/T5/LENSM | SSL-AL2 Type V Lens (for 200W unit) | | | | | | | | |
| 3660084 | SSL-AL/WP/WC | SSL-AL wire to wire connector IP68, 450VAC, GA, AWG 20-14 Black | | | | | | | | |
| 3660093 | SSL-AL/WALL-MTG/DB | L-Shaped wall mounted bracket, Steel, Dark Bronze, Base W4"xH4", 2 3/8" O.D. tube, 8"H x 4"off-set | | | | | | | | |

Mounting Options



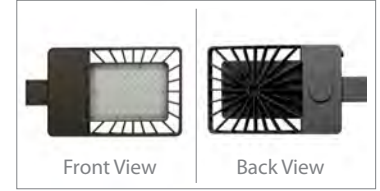


LED FIXTURE

SSL Series

LED Area Light SSL-AL

Outstanding photometric performance, excellent uniform illumination, low profile construction, high efficacy and long lifespan, it's ideal for commercial lighting application.



Features & Benefits

- cELT listed, DLC Premium, LM79 and LM80 certified
- Die-cast aluminum with durable dark bronze finish
- UL Class II LED driver, 0-10V dimming
PF>0.98, efficacy 125~130 LPW
- IES Type V and Type III for optimized light distribution
(Type III lens and Type V lens)
- Optional installation of Slipfitter, Yoke and Pole Mount, mounting ordered separately

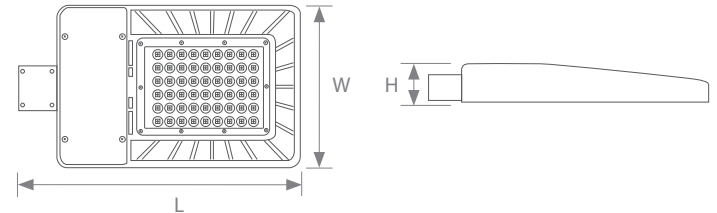
- Motion sensor, microwave 120-277V and photocell, factory ordered
- 5000K and 4000K available
- CRI>70, L70 @ 50,000 Hrs
- Voltage 120-277V/200-480V
- IP65 rated, wet location

Warranty

- 5-year limited warranty in commercial use from the date of purchase
- Operating temperature range between -40°C and +50°C

Applications

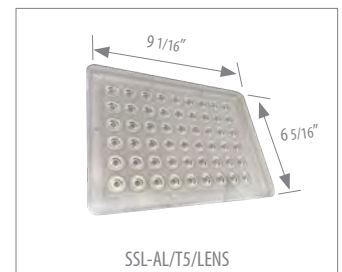
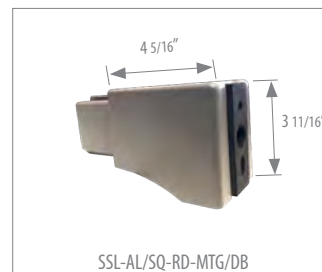
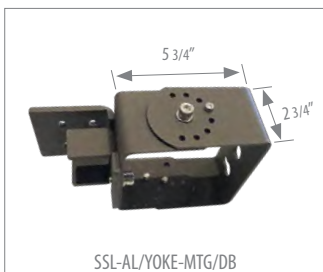
Parks, Shopping Malls, Outlets, Plazas, City Halls, Historical Sites, Road Lighting



Ordering Information Example: SSL-AL/T3/150W/50/HVU/DB/D

| Family Name | Fixture Type | Light Distribution Type | Wattage | CCT | Voltage (V) | Body Finish | Dimmable | Options |
|----------------------------|----------------------|-------------------------|---|--------------------------|----------------------------------|------------------|--------------|--|
| SSL (Solid State Lighting) | AL (Area Lighter) | T3 (Type III)* | 70W 100W 150W 200W 240W 300W | 40 (4000K) 50 (5000K) | UNV (120-277V) HVU (200-480V) | DB (Dark Bronze) | D (Dimmable) | SSL-AL/ARM-SSF/DB SSL-AL/YOKE-MTG/DB SSL-AL/SQ-RD-MTG/DB SSL-AL/T5/LENS SSL-AL/PLATE/M SSL-AL/PLATE/L SSL-AL/WP/WC SSL-AL/HS/M SSL-AL/HS/L SSL-FL/SB/ARM-SSF/DB |

* Type III is default, you can order the optional lens separately for Type V (T5).





LED Area Light

SSL-AL

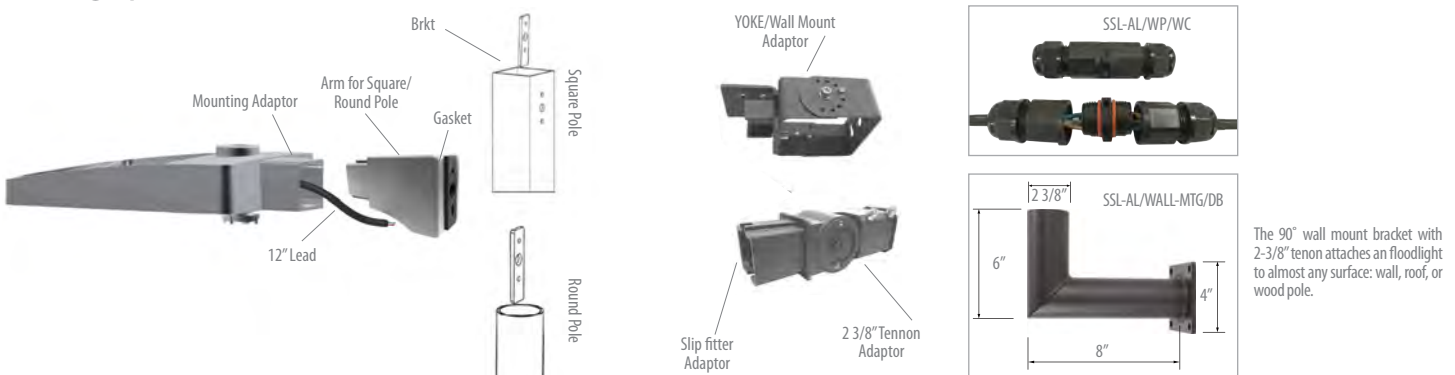
Product Specification

| Ordering Code | DLC Premium | Model Number | Wattage (W) | Input Voltage (V) | Hour Rating | Optics/ Distribution | Initial Delivered Lumens (lm) | CCT (K) | CRI | Dimension LxWxH(inch) | Case QTY. |
|---------------|-------------|----------------------------|--|-------------------|-------------|----------------------|-------------------------------|---------|-----|-----------------------|-----------|
| 3666133 | Y | SSL-AL/T3/70W/40/UNV/DB/D | 70 | 120-277 | 50,000 | Type III | 10,000 | 4000 | 70 | 18.5 X 10.5 X 3.54 | 1 |
| 3666134 | Y | SSL-AL/T3/70W/50/UNV/DB/D | 70 | 120-277 | 50,000 | Type III | 10,000 | 5000 | 70 | 18.5 X 10.5 X 3.54 | 1 |
| 3666235 | Y | SSL-AL/T3/100W/40/HVU/DB/D | 100 | 200-480 | 50,000 | Type III | 14,500 | 4000 | 70 | 18.5 X 10.5 X 3.54 | 1 |
| 3666135 | Y | SSL-AL/T3/100W/40/UNV/DB/D | 100 | 120-277 | 50,000 | Type III | 14,500 | 4000 | 70 | 18.5 X 10.5 X 3.54 | 1 |
| 3666236 | Y | SSL-AL/T3/100W/50/HVU/DB/D | 100 | 200-480 | 50,000 | Type III | 14,500 | 5000 | 70 | 18.5 X 10.5 X 3.54 | 1 |
| 3666136 | Y | SSL-AL/T3/100W/50/UNV/DB/D | 100 | 120-277 | 50,000 | Type III | 14,500 | 5000 | 70 | 18.5 X 10.5 X 3.54 | 1 |
| 3667223 | Y | SSL-AL/T3/150W/40/HVU/DB/D | 150 | 200-480 | 50,000 | Type III | 21000 | 4000 | 70 | 18.5 X 10.5 X 3.54 | 1 |
| 3667121 | Y | SSL-AL/T3/150W/40/UNV/DB/D | 150 | 120-277 | 50,000 | Type III | 21000 | 4000 | 70 | 18.5 X 10.5 X 3.54 | 1 |
| 3667224 | Y | SSL-AL/T3/150W/50/HVU/DB/D | 150 | 200-480 | 50,000 | Type III | 21,000 | 5000 | 70 | 18.5 X 10.5 X 3.54 | 1 |
| 3667122 | Y | SSL-AL/T3/150W/50/UNV/DB/D | 150 | 120-277 | 50,000 | Type III | 21,000 | 5000 | 70 | 18.5 X 10.5 X 3.54 | 1 |
| 3667225 | Y | SSL-AL/T3/200W/40/HVU/DB/D | 200 | 200-480 | 50,000 | Type III | 28,800 | 4000 | 70 | 21.5 X 16.9 X 3.54 | 1 |
| 3667123 | Y | SSL-AL/T3/200W/40/UNV/DB/D | 200 | 120-277 | 50,000 | Type III | 28,800 | 4000 | 70 | 21.5 X 16.9 X 3.54 | 1 |
| 3667226 | Y | SSL-AL/T3/200W/50/HVU/DB/D | 200 | 200-480 | 50,000 | Type III | 28,800 | 5000 | 70 | 21.5 X 16.9 X 3.54 | 1 |
| 3667124 | Y | SSL-AL/T3/200W/50/UNV/DB/D | 200 | 120-277 | 50,000 | Type III | 28,800 | 5000 | 70 | 21.5 X 16.9 X 3.54 | 1 |
| 3667227 | Y | SSL-AL/T3/240W/40/HVU/DB/D | 240 | 200-480 | 50,000 | Type III | 34,800 | 4000 | 70 | 21.5 X 16.9 X 3.54 | 1 |
| 3667125 | Y | SSL-AL/T3/240W/40/UNV/DB/D | 240 | 120-277 | 50,000 | Type III | 34,800 | 4000 | 70 | 21.5 X 16.9 X 3.54 | 1 |
| 3667228 | Y | SSL-AL/T3/240W/50/HVU/DB/D | 240 | 200-480 | 50,000 | Type III | 34,800 | 5000 | 70 | 21.5 X 16.9 X 3.54 | 1 |
| 3667126 | Y | SSL-AL/T3/240W/50/UNV/DB/D | 240 | 120-277 | 50,000 | Type III | 34,800 | 5000 | 70 | 21.5 X 16.9 X 3.54 | 1 |
| 3668206 | Y | SSL-AL/T3/300W/40/HVU/DB/D | 300 | 200-480 | 50,000 | Type III | 44,000 | 4000 | 70 | 21.5 X 16.9 X 3.54 | 1 |
| 3668106 | Y | SSL-AL/T3/300W/40/UNV/DB/D | 300 | 120-277 | 50,000 | Type III | 44,000 | 4000 | 70 | 21.5 X 16.9 X 3.54 | 1 |
| 3668207 | Y | SSL-AL/T3/300W/50/HVU/DB/D | 300 | 200-480 | 50,000 | Type III | 44,000 | 5000 | 70 | 21.5 X 16.9 X 3.54 | 1 |
| 3668107 | Y | SSL-AL/T3/300W/50/UNV/DB/D | 300 | 120-277 | 50,000 | Type III | 44,000 | 5000 | 70 | 21.5 X 16.9 X 3.54 | 1 |
| 3660078 | | SSL-AL/ARM-SSF/DB | Male Adjustable Slip Fitter for Area Light , 3x18AWG SJTW Cable Installed , Dark Bronze | | | | | | | | |
| 3660079 | | SSL-AL/YOKE-MTG/DB | Male Adjustable Trunnion Mounting for Area Light , Dark Bronze (** for use with SSL-AL/WP/WC) | | | | | | | | |
| 3660080 | | SSL-AL/SQ-RD-MTG/DB | Universal Male Straight Arm for Square/Round Pole , Dark Bronze | | | | | | | | |
| 3660081 | | SSL-AL/T5/LENS | SSL-AL Type V Lens | | | | | | | | |
| 3660082 | | SSL-AL/PLATE/M | SSL-AL Drilled Driver Compartment Cover for Motion Sensor 70/100/150W, Dark Bronze | | | | | | | | |
| 3660083 | | SSL-AL/PLATE/L | SSL-AL Drilled Driver Compartment Cover for Motion Sensor 200/240/300W, Dark Bronze | | | | | | | | |
| 3660084 | | SSL-AL/WP/WC | SSL-AL Wire to Wire Connector IP68, 450VAC, GA, AWG 20-14 Black (** Suggested use with SSL-AL/YOKE-MTG/DB) | | | | | | | | |
| 3660085 | | SSL-AL/HS/M | House Shield for SSL-AL 70/100/160W , Dark Bronze | | | | | | | | |
| 3660086 | | SSL-AL/HS/L | House Shield for SSL-AL 200/240/300W , Dark Bronze | | | | | | | | |
| 3660093 | | SSL-AL/WALL-MTG/DB | 90° Wall Mount with 2-3/8" O.D. Tenon | | | | | | | | |

EPA Calculation

| Wattage | Diagram 1 | Diagram 2 | Diagram 3 | Diagram 4 | Diagram 5 |
|----------------|-----------|-----------|-----------|-----------|-----------|
| SSL-AL/T3/70W | 0.43 | 0.59 | 0.86 | 0.86 | 0.86 |
| SSL-AL/T3/100W | 0.43 | 0.59 | 0.86 | 0.86 | 0.86 |
| SSL-AL/T3/150W | 0.43 | 0.59 | 0.86 | 0.86 | 0.86 |
| SSL-AL/T3/200W | 0.46 | 0.68 | 0.92 | 0.92 | 0.92 |
| SSL-AL/T3/240W | 0.46 | 0.68 | 0.92 | 0.92 | 0.92 |
| SSL-AL/T3/300W | 0.46 | 0.68 | 0.92 | 0.92 | 0.92 |

Mounting Options





LED FIXTURE

SSL Series



LED Mini Flood SSL-MFL

Enhanced LED performance in a classic design
Multiple Kelvin Selection



Kunckle Mount



Trunnion Mount



Features & Benefits

- cULus listed

- Switchable CCT (30K/40K/50K)

- Optional installation of **Kunckle** and **Trunnion Mount**

- IP 65, Wet location rated

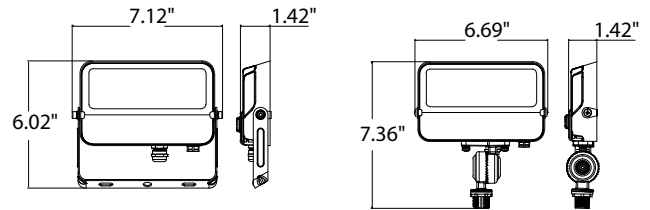
- 120 Voltage, CRI≥70

- Dark bronze coat finish

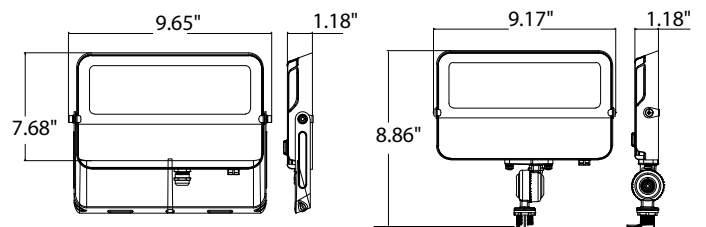
- L70 @ 50,000 Hrs

Dimensional drawing

30W



50W



Warranty

- 5-year limited warranty in commercial use from the date of purchase

- Operating temperature range between -40°C and +45°C

Applications

Building facades, displays, landscaping, security lighting, walkways and other work areas

Ordering Information Example: SSL-MFL/30W/MK/120V/DB/KNC

| Family Name | Fixture Type | Wattage | CCT (Kelvin) | Voltage | Finish | Mounting |
|-------------------------------|-------------------------|------------|-------------------|---------|------------------|---|
| SSL (Solid State Lighting) | MFL (LED Mini Flood) | 30W 50W | MK (Multi CCT) | 120V | DB (Dark Bronze) | KNC (Kunckle Mounting) TRU (Trunnion Mounting) |

Product Specification

| Ordering Code | Model Number | Wattage (W) | Input Voltage (V) | Hour Rating | Initial Delivered Lumens (lumen) | CCT (K) | CRI | Wet Location | Case QTY. |
|---------------|----------------------------|-------------|-------------------|-------------|----------------------------------|----------|-----|--------------|-----------|
| 3664153 | SSL-MFL/30W/MK/120V/DB/KNC | 30 | 120V | 50,000 | 3150 | 30-40-50 | ≥70 | Yes | 24 |
| 3664154 | SSL-MFL/30W/MK/120V/DB/TRU | 30 | 120V | 50,000 | 3150 | 30-40-50 | ≥70 | Yes | 24 |
| 3665170 | SSL-MFL/50W/MK/120V/DB/KNC | 50 | 120V | 50,000 | 5250 | 30-40-50 | ≥70 | Yes | 16 |
| 3665171 | SSL-MFL/50W/MK/120V/DB/TRU | 50 | 120V | 50,000 | 5250 | 30-40-50 | ≥70 | Yes | 16 |



LED FIXTURE

SSL Series

LED Slim Flood SSL-SFL1

The Mini LED floodlights replace 50W, 100W and 150W pulse start metal halide floodlights
Applications include building facades, landscaping, security lighting and walkways.



Knuckle Mounting



Features & Benefits

CUL listed

Available with lumen outputs from 1,500 to 5,400 lumens
Consumes 15W-45W to replace 50W-150W MH light

Rugged Die-cast aluminum housing

UV resistant dark bronze powder body finish

Traditional 1/2" NPS threaded adjustable knuckle mounting
Trunnion and wall mount (only for 30W & 45W) optional

Wet location rated

Voltage 120-277V

CRI≥70, L70 @ 50,000 Hrs

Warranty

5-year limited warranty in commercial use from the date of purchase

Operating temperature range between -40°C and +45°C

Product Specification

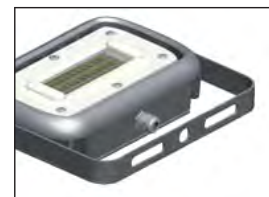
| Ordering Code | Model Number | Description | Wattage (W) | Input Voltage (V) | Hour Rating | Beam Pattern NEMA | Initial Delivered Lumens (lm) | CCT (K) | CRI | Dimension L×W×H(inch) | Case QTY. |
|---------------|----------------------------|---|-------------|-------------------|-------------|-------------------|-------------------------------|---------|-----|-----------------------|-----------|
| 3663100 | SSL-SFL1/15W/50/UNV/DB/KNC | 15W, 50K, 120-277V, Dark Bronze, Knuckle | 15 | 120-277 | 50,000 | 7H×7V | 1500 | 5000K | 70 | 4.72 X 2.95 X 1.27 | 1 |
| 3665113 | SSL-SFL1/30W/50/UNV/DB/KNC | 30W, 50K, 120-277V, Dark Bronze, Knuckle | 30 | 120-277 | 50,000 | 7H×7V | 3000 | 5000K | 70 | 7.08 X 4.42 X 1.61 | 1 |
| 3664122 | SSL-SFL1/30W/50/UNV/DB/WM | 30W, 50K, 120-277V, Dark Bronze, Wall Mount | 30 | 120-277 | 50,000 | 7H×7V | 3000 | 5000K | 70 | 7.08 X 4.42 X 1.61 | 1 |
| 3665114 | SSL-SFL1/45W/50/UNV/DB/KNC | 45W, 50K, 120-277V, Dark Bronze, Knuckle | 45 | 120-277 | 50,000 | 7H×7V | 5400 | 5000K | 70 | 8.26 X 5.16 X 2.45 | 1 |

Applications

Building facades, displays, landscaping, security lighting, walkways and other work areas.

Mounting Options

Trunnion Mount



Wall Mount (30W & 45W ONLY) 4 & 5" J-box mounting



Ordering Information Example: SSL-SFL1/15W/50/UNV/DB/KNC

| Family Name | Fixture Type | Wattage | CCT | Voltage (V) | Body Finish | Mounting |
|-------------------------------|----------------------|-------------------|---------------|-------------------|---------------------|---|
| SSL (Solid State Lighting) | SFL1 (Slim Flood) | 15W 30W 45W | 50 (5000K) | UNV (120~277V) | DB (Dark Bronze) | KNC (Knuckle) WM (Wall Mount) TR (Trunnion) |



LED FIXTURE

SSL Series



LED Glass Wall Pack SSL-WP1T

Enhanced LED performance in a classic design with glass lens
120-347V Auto-Sensing Driver
Multiple Wattage and Multiple Kelvin Selection



Features & Benefits

cULus listed

120-347V Auto Sensing driver, 0-10V dimming

Switchable CCT (30K/40K/50K), Switchable Wattage

Die-cast aluminum with durable dark bronze coat finish

Wet location rated

Junction box or wall mounted directly

CRI≥80, L70 @ 50,000 Hrs

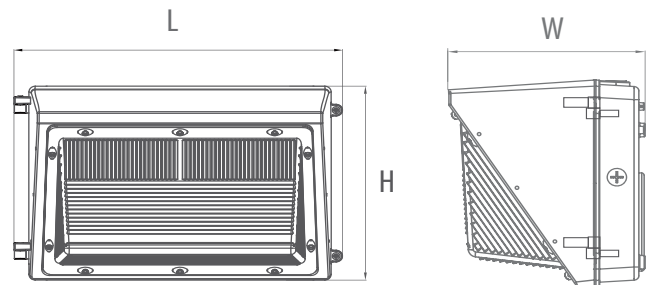
Photocell Sensor optional

Warranty

5-year limited warranty in commercial use from the date of purchase

Operating temperature range between -40°C and +40°C

Dimensional drawing



Applications

Security, pathway and perimeter lighting, Building entryways and walkways

Ordering Information Example: SSL-WP1T/60M/MW/MK/120-347V/D/DB

| Family Name | Fixture Type | Size | Wattage | CCT (Kelvin) | Voltage | Dimmable | Finish | Options |
|-------------------------------|-------------------------------|--|-----------------------|-------------------|----------|--------------|------------------|------------------|
| SSL (Solid State Lighting) | WP1T (LED Glass Wall Pack) | 60M (Max 60w) 100L (Max 100w) | MW (Multi Wattage) | MK (Multi CCT) | 120-347V | D (Dimmable) | DB (Dark Bronze) | Photocell Sensor |

Product Specification

| Ordering Code | Model Number | Wattage (W) | Input Voltage (V) | Hour Rating | Initial Delivered Lumens (lumen) | CCT (K) | CRI | Wet Location | Dimension L×W×H(inch) | Case QTY. |
|---------------|-----------------------------------|--------------|-------------------|-------------|----------------------------------|----------|-----|--------------|-----------------------|-----------|
| 3680304 | SSL-WP1T/60M/MW/MK/120-347V/D/DB | 60-40-28 | 120-347V | 50,000 | 7200-4800-3360 | 30-40-50 | ≥80 | Yes | 14.3" x 9" x 7.8" | 2 |
| 3680305 | SSL-WP1T/100L/MW/MK/120-347V/D/DB | 100-90-80-70 | 120-347V | 50,000 | 12000-10800-9600-8400 | 30-40-50 | ≥80 | Yes | 14.3" x 9" x 7.8" | 2 |



LED FIXTURE

SSL Series



LED Wall Pack SSL-WP1S

Enhanced LED performance in a classic design, offers efficiently deliver lumens, and consume less energy than traditional wall pack technologies.



Features & Benefits

| | |
|---|---|
| cUL listed, DLC qualified | Junction box or wall mounted directly |
| Available with lumen outputs from 3,550 to 15,000 | CRI≥70, L70 @ 50,000 Hrs |
| LM-80 certified high performance and reliable lumileds LEDs | Voltage 120-277V/347V-480V |
| Die-cast aluminum with durable dark bronze finish | Photocell Sensor optional 120-277V only |
| Wet location rated | Polycarbonate lens with UV stabilizers |


Warranty

| |
|---|
| 5-year limited warranty in commercial use from the date of purchase |
| Operating temperature range between -40°C and +40°C |

Applications

Security, pathway and perimeter lighting, Building entryways and walkways

Product Specification

| Ordering Code | DLC* | Model Number | Description | Wattage (W) | Input Voltage (V) | Hour Rating | Optics/ Distribution | Initial Delivered Lumens (lm) | CCT (K) | CRI | Dimension L×W×H(inch) | Case QTY. |
|---------------|------|-------------------------|---|-------------|-------------------|-------------|---|-------------------------------|---------|-----|-----------------------|-----------|
| 3664131 | Y/P | SSL-WP1S/30W/40/UNV/DB | 30W LED Wall Pack, 40K, 120-277V, Dark Bronze | 30 | 120-277V | 50,000 | H110°×V100° | 3550 | 4000 | 70 | 14.21 x 7.2 x 9.25 | 1 |
| 3664127 | Y/P | SSL-WP1S/30W/50/UNV/DB | 30W LED Wall Pack, 50K, 120-277V, Dark Bronze | 30 | 120-277V | 50,000 | H110°×V100° | 3600 | 5000 | 70 | 14.21 x 7.2 x 9.25 | 1 |
| 3665152 | Y/P | SSL-WP1S/40W/40/UNV/DB | 40W LED Wall Pack, 40K, 120-277V, Dark Bronze | 40 | 120-277V | 50,000 | H110°×V100° | 5000 | 4000 | 70 | 14.21 x 7.2 x 9.25 | 1 |
| 3665141 | Y/P | SSL-WP1S/40W/50/UNV/DB | 40W LED Wall Pack, 50K, 120-277V, Dark Bronze | 40 | 120-277V | 50,000 | H110°×V100° | 5100 | 5000 | 70 | 14.21 x 7.2 x 9.25 | 1 |
| 3665247 | Y/P | SSL-WP1S/40W/40/HVU/DB | 40W LED Wall Pack, 40K, 347-480V, Dark Bronze | 40 | 347-480V | 50,000 | H110°×V100° | 5000 | 4000 | 70 | 14.21 x 7.2 x 9.25 | 1 |
| 3665229 | Y/P | SSL-WP1S/40W/50/HVU/DB | 40W LED Wall Pack, 50K, 347-480V, Dark Bronze | 40 | 347-480V | 50,000 | H110°×V100° | 5100 | 5000 | 70 | 14.21 x 7.2 x 9.25 | 1 |
| 3666138 | Y | SSL-WP1S/65W/40/UNV/DB | 65W LED Wall Pack, 40K, 120-277V, Dark Bronze | 65 | 120-277V | 50,000 | H110°×V100° | 7800 | 4000 | 70 | 14.21 x 7.2 x 9.25 | 1 |
| 3666127 | Y | SSL-WP1S/65W/50/UNV/DB | 65W LED Wall Pack, 50K, 120-277V, Dark Bronze | 65 | 120-277V | 50,000 | H110°×V100° | 7900 | 5000 | 70 | 14.21 x 7.2 x 9.25 | 1 |
| 3666241 | Y | SSL-WP1S/65W/40/HVU/DB | 65W LED Wall Pack, 40K, 347-480V, Dark Bronze | 65 | 347-480V | 50,000 | H110°×V100° | 7800 | 4000 | 70 | 14.21 x 7.2 x 9.25 | 1 |
| 3666232 | Y | SSL-WP1S/65W/50/HVU/DB | 65W LED Wall Pack, 50K, 347-480V, Dark Bronze | 65 | 347-480V | 50,000 | H110°×V100° | 7900 | 5000 | 70 | 14.21 x 7.2 x 9.25 | 1 |
| 3666139 | Y | SSL-WP1S/90W/40/UNV/DB | 90W LED Wall Pack, 40K, 120-277V, Dark Bronze | 90 | 120-277V | 50,000 | H110°×V100° | 10000 | 4000 | 70 | 14.21 x 7.2 x 9.25 | 1 |
| 3666251 | - | SSL-WP1S/90W/40/HVU/DB | 90W LED Wall Pack, 40K, 347-480V, Dark Bronze | 90 | 347-480V | 50,000 | H110°×V100° | 10000 | 4000 | 70 | 14.21 x 7.2 x 9.25 | 1 |
| 3666140 | Y | SSL-WP1S/90W/50/UNV/DB | 90W LED Wall Pack, 50K, 120-277V, Dark Bronze | 90 | 120-277V | 50,000 | H110°×V100° | 10500 | 5000 | 70 | 14.21 x 7.2 x 9.25 | 1 |
| 3666252 | - | SSL-WP1S/90W/50/HVU/DB | 90W LED Wall Pack, 50K, 347-480V, Dark Bronze | 90 | 347-480V | 50,000 | H110°×V100° | 10500 | 5000 | 70 | 14.21 x 7.2 x 9.25 | 1 |
| 3667140 | - | SSL-WP1S/120W/40/UNV/DB | 120W LED Wall Pack, 40K, 120-277V, Dark Bronze | 120 | 120-277V | 50,000 | H110°×V100° | 14500 | 4000 | 70 | 14.21 x 7.2 x 9.25 | 1 |
| 3667247 | - | SSL-WP1S/125W/40/HVU/DB | 125W LED Wall Pack, 40K, 347-480V, Dark Bronze | 125 | 347-480V | 50,000 | H110°×V100° | 14500 | 4000 | 70 | 14.21 x 7.2 x 9.25 | 1 |
| 3667141 | - | SSL-WP1S/120W/50/UNV/DB | 120W LED Wall Pack, 50K, 120-277V, Dark Bronze | 120 | 120-277V | 50,000 | H110°×V100° | 15000 | 5000 | 70 | 14.21 x 7.2 x 9.25 | 1 |
| 3667248 | - | SSL-WP1S/125W/50/HVU/DB | 125W LED Wall Pack, 50K, 347-480V, Dark Bronze | 125 | 347-480V | 50,000 | H110°×V100° | 15000 | 5000 | 70 | 14.21 x 7.2 x 9.25 | 1 |
| 3660024 | | JC-403 | Photocell Sensor, for Wall Pack 120-277V application only | | | |  | Photocell | | | | |

* DLC Premium (Y/P)



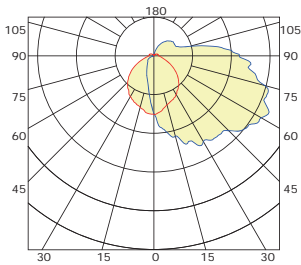
LED Wall Pack

SSL-WP1S

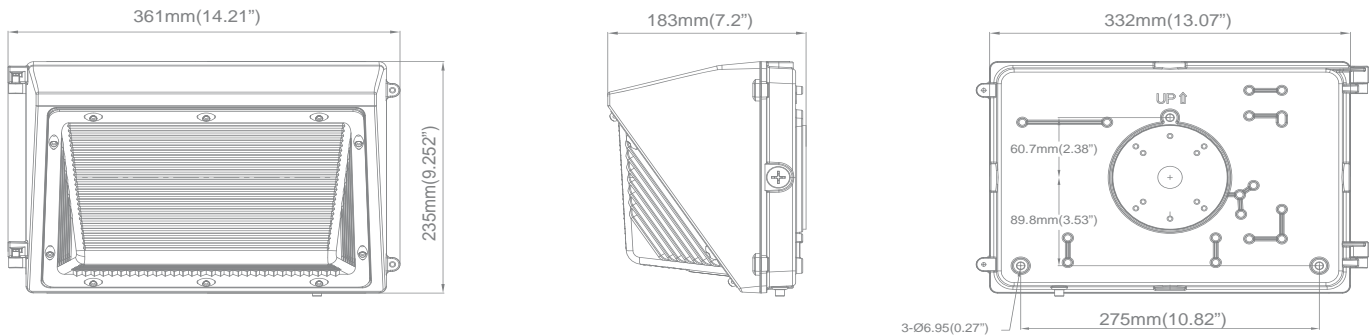
Ordering Information Example: SSL-WP1S/30W/50/UNV/DB

| Family Name | Fixture Type | Wattage | CCT | Voltage (V) | Body Finish | Mounting | Options |
|----------------------------|-----------------|------------------------------------|--------------------------|----------------------------------|------------------|----------|------------------|
| SSL (Solid State Lighting) | WP1S(Wall Pack) | 30W, 40W 65W, 90W 120W, 125W | 40 (4000K) 50 (5000K) | UNV (120-277V) HVU (347-480V) | DB (Dark Bronze) | Wall | Photocell Sensor |

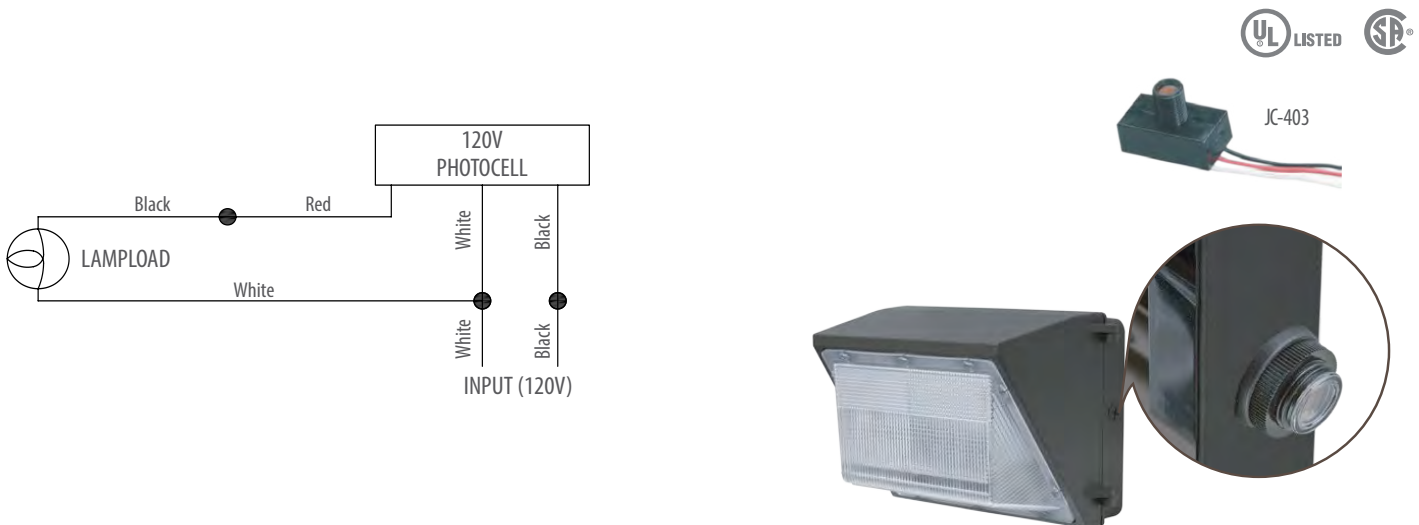
Photometrics



Dimensional Drawing



Wiring Instruction (With Photocell)





LED FIXTURE

SSL Series



Full Cutoff LED Wall Pack SSL-WP3T

Enhanced LED performance in a classic design
120-347V Auto-Sensing Driver
Multiple Wattage and Multiple Kelvin Selection



Medium Size

Large Size



Features & Benefits

cULus listed

120-347V Auto Sensing driver, 0-10V dimming

Switchable CCT (30K/40K/50K), Switchable Wattage

Die-cast aluminum with durable dark bronze coat finish

Ip 65, Wet location rated

2 Fixture selection offers 18 possible solutions per fixture

CRI≥80, L70 @ 50,000 Hrs

Photocell Sensor installed

Warranty

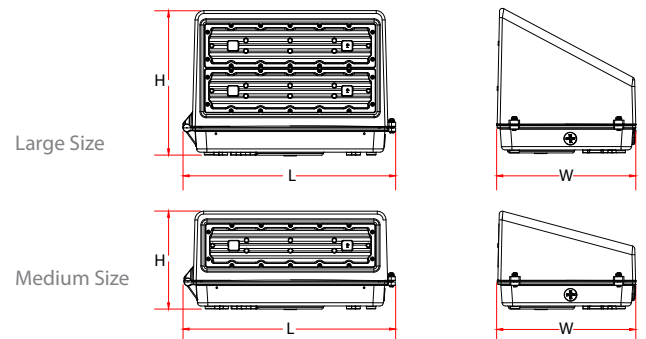
5-year limited warranty in commercial use from the date of purchase

Operating temperature range between -40°C and +50°C

Applications

Security, pathway and perimeter lighting, Building entryways and walkways

Dimensional drawing



Ordering Information Example: SSL-WP3T/60M/MW/MK/120-347V/D/PC/DB

| Family Name | Fixture Type | Size | Wattage | CCT (Kelvin) | Voltage | Dimmable | Body | Finish |
|-------------------------------|-------------------------------------|---|-----------------------|-------------------|----------|--------------|--------------------|------------------|
| SSL (Solid State Lighting) | WP3T (Full Cutoff LED Wall Pack) | 60M (Max 60w Medium Size) 150L (Max 150w Large Size) | MW (Multi Wattage) | MK (Multi CCT) | 120-347V | D (Dimmable) | PC (Polycarbonate) | DB (Dark Bronze) |

Product Specification

| Ordering Code | Model Number | Wattage (W) | Input Voltage (V) | Hour Rating | Initial Delivered Lumens (lumen) | CCT (K) | CRI | Wet Location | Dimension L×W×H(inch) | Case QTY. |
|---------------|--------------------------------------|-------------|-------------------|-------------|----------------------------------|----------|-----|--------------|------------------------|-----------|
| 3680302 | SSL-WP3T/60M/MW/MK/120-347V/D/PC/DB | 60-40-25 | 120-347V | 50,000 | 7800-5200-3250 | 30-40-50 | ≥80 | Yes | 14.17" × 9.29" × 6.54" | 1 |
| 3680303 | SSL-WP3T/150L/MW/MK/120-347V/D/PC/DB | 150-120-90 | 120-347V | 50,000 | 18400-15600-11700 | 30-40-50 | ≥80 | Yes | 14.17" × 9.29" × 9.65" | 1 |



LED FIXTURE

SSL Series



90W ~ 135W



27W ~ 70W

Full Cutoff LED Wall Pack

SSL-WP3S

Enhanced LED performance in a classic design, offer maximum light output for general purpose area and security lighting.



Features & Benefits

cUL listed, DLC

Available with lumen outputs from 3,800 to 18,000 lumens

Die-cast aluminum with durable dark bronze coat finish

Wet location rated

Junction box or wall mounted directly

CRI=70, L70 @ 50,000 Hrs

Voltage 120-277V/347V

Photocell Sensor optional

Warranty


5-year limited warranty in commercial use from the date of purchase

Operating temperature range between -40°C and +45°C

Applications

Security, pathway and perimeter lighting, Building entryways and walkways

Product Specification

| Ordering Code | DLC | Model Number | Description | Wattage (W) | Input Voltage (V) | Hour Rating | Optics/ Distribution | Lumens (lm) | CCT (K) | CRI | Dimension LxWxH(inch) | Case QTY. |
|---------------|-----|--------------------------|---|---|-------------------|-------------|----------------------|-------------|---------|-----|-----------------------|-----------|
| 3664132 | Y | SSL-WP3S/27W/40/UNV/DB | 27W LED Full Cut Off Wall Pack, 40K, 120-277V, Dark Bronze | 27 | 120-277 | 50,000 | TYPE III | 3800 | 4000 | 70 | 14.21 x 7.99 x 9.24 | 1 |
| 3664133 | Y | SSL-WP3S/27W/50/UNV/DB | 27W LED Full Cut Off Wall Pack, 50K, 120-277V, Dark Bronze | 27 | 120-277 | 50,000 | TYPE III | 3850 | 5000 | 70 | 14.21 x 7.99 x 9.24 | 1 |
| 3665153 | Y | SSL-WP3S/45W/40/UNV/DB | 45W LED Full Cut Off Wall Pack, 40K, 120-277V, Dark Bronze | 45 | 120-277 | 50,000 | TYPE III | 6300 | 4000 | 70 | 14.21 x 7.99 x 9.24 | 1 |
| 3665154 | Y | SSL-WP3S/45W/50/UNV/DB | 45W LED Full Cut Off Wall Pack, 50K, 120-277V, Dark Bronze | 45 | 120-277 | 50,000 | TYPE III | 6350 | 5000 | 70 | 14.21 x 7.99 x 9.24 | 1 |
| 3665248 | Y | SSL-WP3S/45W/40/347V/DB | 45W LED Full Cut Off Wall Pack, 40K, 347V, Dark Bronze | 45 | 347 | 50,000 | TYPE III | 6300 | 4000 | 70 | 14.21 x 7.99 x 9.24 | 1 |
| 3665249 | Y | SSL-WP3S/45W/50/347V/DB | 45W LED Full Cut Off Wall Pack, 50K, 347V, Dark Bronze | 45 | 347 | 50,000 | TYPE III | 6350 | 5000 | 70 | 14.21 x 7.99 x 9.24 | 1 |
| 3666141 | Y | SSL-WP3S/70W/40/UNV/DB | 70W LED Full Cut Off Wall Pack, 40K, 120-277V, Dark Bronze | 70 | 120-277 | 50,000 | TYPE III | 9700 | 4000 | 70 | 14.21 x 7.99 x 9.24 | 1 |
| 3666142 | Y | SSL-WP3S/70W/50/UNV/DB | 70W LED Full Cut Off Wall Pack, 50K, 120-277V, Dark Bronze | 70 | 120-277 | 50,000 | TYPE III | 9750 | 5000 | 70 | 14.21 x 7.99 x 9.24 | 1 |
| 3666242 | Y | SSL-WP3S/70W/40/347V/DB | 70W LED Full Cut Off Wall Pack, 40K, 347V, Dark Bronze | 70 | 347 | 50,000 | TYPE III | 9700 | 4000 | 70 | 14.21 x 7.99 x 9.24 | 1 |
| 3666243 | Y | SSL-WP3S/70W/50/347V/DB | 70W LED Full Cut Off Wall Pack, 50K, 347V, Dark Bronze | 70 | 347 | 50,000 | TYPE III | 9750 | 5000 | 70 | 14.21 x 7.99 x 9.24 | 1 |
| 3666143 | Y | SSL-WP3S/90W/40/UNV/DB | 90W LED Full Cut Off Wall Pack, 40K, 120-277V, Dark Bronze | 90 | 120-277 | 50,000 | TYPE III | 12200 | 4000 | 70 | 18.1 x 9.02 x 9.75 | 1 |
| 3666144 | Y | SSL-WP3S/90W/50/UNV/DB | 90W LED Full Cut Off Wall Pack, 50K, 120-277V, Dark Bronze | 90 | 120-277 | 50,000 | TYPE III | 12300 | 5000 | 70 | 18.1 x 9.02 x 9.75 | 1 |
| 3666244 | Y | SSL-WP3S/90W/40/347V/DB | 90W LED Full Cut Off Wall Pack, 40K, 347V, Dark Bronze | 90 | 347 | 50,000 | TYPE III | 12200 | 4000 | 70 | 18.1 x 9.02 x 9.75 | 1 |
| 3666245 | Y | SSL-WP3S/90W/50/347V/DB | 90W LED Full Cut Off Wall Pack, 50K, 347V, Dark Bronze | 90 | 347 | 50,000 | TYPE III | 12300 | 5000 | 70 | 18.1 x 9.02 x 9.75 | 1 |
| 3667127 | Y | SSL-WP3S/135W/40/UNV/DB | 135W LED Full Cut Off Wall Pack, 40K, 120-277V, Dark Bronze | 135 | 120-277 | 50,000 | TYPE III | 18000 | 4000 | 70 | 18.1 x 9.02 x 9.75 | 1 |
| 3667128 | Y | SSL-WP3S/135W/50/UNV/DB | 135W LED Full Cut Off Wall Pack, 50K, 120-277V, Dark Bronze | 135 | 120-277 | 50,000 | TYPE III | 18000 | 5000 | 70 | 18.1 x 9.02 x 9.75 | 1 |
| 3667229 | Y | SSL-WP3S/135W/40/347V/DB | 135W LED Full Cut Off Wall Pack, 40K, 347V, Dark Bronze | 135 | 347 | 50,000 | TYPE III | 18000 | 4000 | 70 | 18.1 x 9.02 x 9.75 | 1 |
| 3667230 | Y | SSL-WP3S/135W/50/347V/DB | 135W LED Full Cut Off Wall Pack, 50K, 347V, Dark Bronze | 135 | 347 | 50,000 | TYPE III | 18000 | 5000 | 70 | 18.1 x 9.02 x 9.75 | 1 |
| | | JL-403C | Photocell Sensor, for Wall Pack UNV |  Photocell | | | | | | | | |
| | | | | | | | | | | | | |



Full Cutoff LED Wall Pack

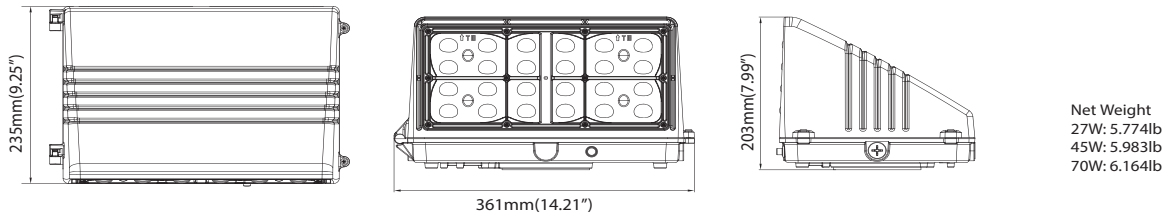
SSL-WP3S

Ordering Information Example: SSL-WP3S/27W/40/UNV/DB

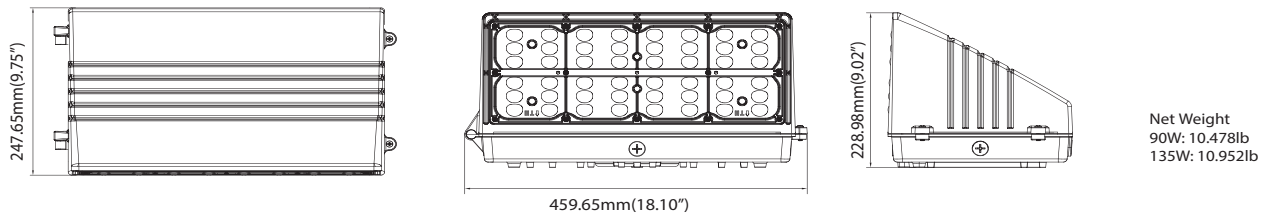
| Family Name | Fixture Type | Wattage | CCT | Voltage (V) | Body Finish | Mounting | Options |
|----------------------------|---------------------------------|----------------------------------|--------------------------|-----------------------|------------------|----------|------------------|
| SSL (Solid State Lighting) | WP3S (Full Cutoff Wall Pack) | 27W 45W 70W 90W 135W | 40 (4000K) 50 (5000K) | UNV(120-277V) 347V | DB (Dark Bronze) | Wall | Photocell Sensor |

Dimensional Drawing

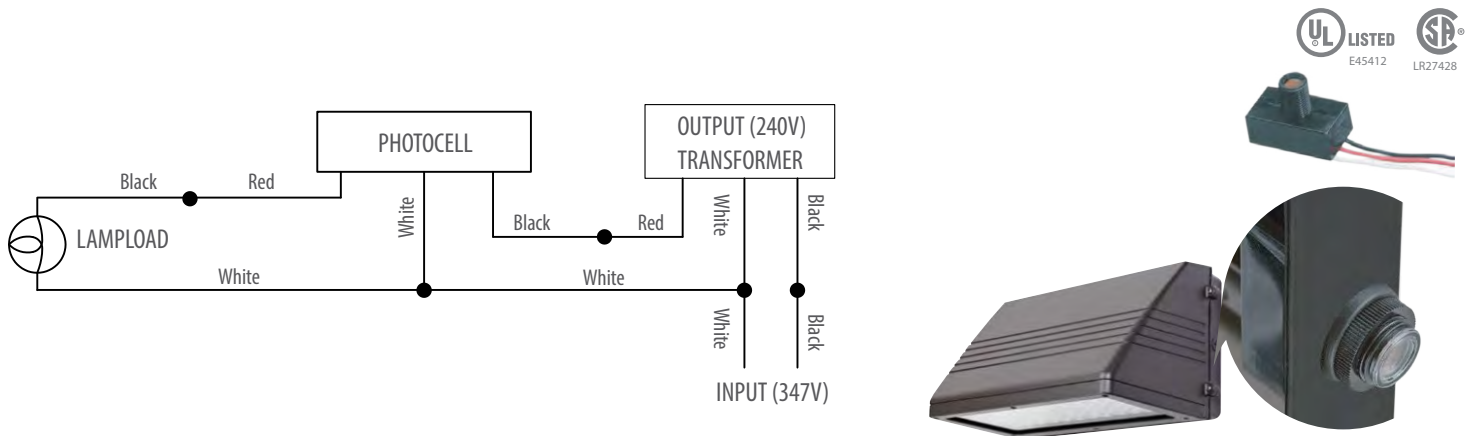
27W~70W OUTPUT



90W~135W OUTPUT



Wiring Instruction (With Photocell)





LED FIXTURE

SSL Series



LED Doorway Light SSL-DW2

Enhanced LED performance in a classic design, offers maximum light output for general purpose area, and security lighting.

Multiple Kelvin Selection



Features & Benefits

cULus listed

Switchable CCT (30K/40K/50K)

120-277 Voltage, CRI≥70

IP 65, Wet location rated

Die-cast aluminum, PC Lens

Dark bronze coat finish

L70 @ 50,000 Hrs

Photocell Sensor installed

Junction box mounted

Warranty

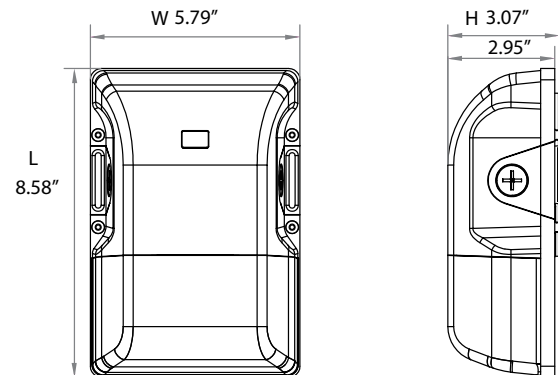
5-year limited warranty in commercial use from the date of purchase

Operating temperature range between -40°C and +40°C

Applications

Security, entryways, stairways, storage, and perimeter areas, as well as residential exteriors

Dimensional drawing



Ordering Information Example: SSL-DW2/15W/MK/UNV/PC/DB

| Family Name | Fixture Type | Wattage | CCT (Kelvin) | Voltage | Lens | Finish |
|-------------------------------|----------------------------|------------|-------------------|-------------------|--------------------|------------------|
| SSL (Solid State Lighting) | DW2 (LED Doorway Light) | 15W 26W | MK (Multi CCT) | UNV (120-277V) | PC (Polycarbonate) | DB (Dark Bronze) |

Product Specification

| Ordering Code | Model Number | Wattage (W) | Input Voltage (V) | Hour Rating | Initial Delivered Lumens (lumen) | CCT (K) | CRI | Wet Location | Dimension L×W×H(inch) | Case QTY. |
|---------------|--------------------------|-------------|-------------------|-------------|----------------------------------|----------|-----|--------------|-----------------------|-----------|
| 3662157 | SSL-DW2/15W/MK/UNV/PC/DB | 15 | 120-277V | 50,000 | 1950 | 30-40-50 | ≥70 | Yes | 8.58 X 5.79 X 3.07 | 10 |
| 3664152 | SSL-DW2/26W/MK/UNV/PC/DB | 26 | 120-277V | 50,000 | 3225 | 30-40-50 | ≥70 | Yes | 8.58 X 5.79 X 3.07 | 10 |



LED FIXTURE

SSL Series

LED Outdoor Commercial Entry Light SSL-DW1

Enhanced LED performance in a classic design, offers maximum light output for general purpose area and security lighting, efficiently deliver lumens, and consume less energy than traditional wall mount technologies.



Lens Clear

Lens Frost



Features & Benefits

| | |
|---|---|
| CUL listed, DLC | Junction box or wall mounted directly |
| Available with lumen outputs from 1600 to 2700 lumens | CRI≥70*, L70 @ 50,000 Hrs |
| LM-80 certified high performance and reliable lumileds LEDs | PC Lens clear or frost optional |
| Die-cast aluminum with durable dark bronze body finish | <small>* For details, see product specification below</small> |
| Wet location rated | |

Warranty

5-year limited warranty in commercial use from the date of purchase
 Operating temperature range between -40°C and +40°C

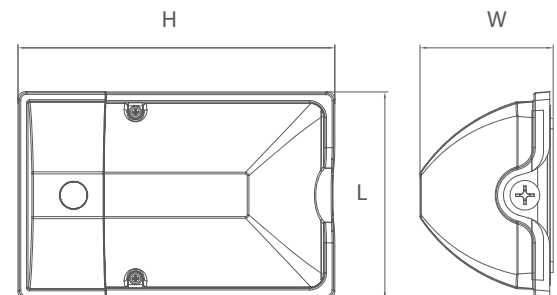
Product Specification

| Ordering Code | DLC | Model Number | Description | Wattage (W) | Input Voltage (V) | Hour Rating | Optics/ Distribution | Initial Delivered Lumens (lm) | CCT (K) | CRI | Dimension L×W×H(inch) | Case QTY. |
|---------------|-----|-------------------------|--|-------------|-------------------|-------------|----------------------|-------------------------------|---------|-----|-----------------------|-----------|
| 3662105 | Y | SSL-DW1/15W/50/120/F/DB | LED 15W, 50K, 120V, PC Lens Frost, Dark Bronze | 15 | 120 | 50,000 | H105° x V90° | 1600 | 5000K | 82 | 5.48 x 3.52 x 8.38 | 12 |
| 3663109 | Y | SSL-DW1/17W/50/120/F/DB | LED 17W, 50K, 120V, PC Lens Frost, Dark Bronze | 17 | 120 | 50,000 | H90° x V110° | 2000 | 5000K | 70 | 5.48 x 3.52 x 8.38 | 12 |
| 3664102 | Y | SSL-DW1/25W/50/120/F/DB | LED 25W, 50K, 120V, PC Lens Frost, Dark Bronze | 25 | 120 | 50,000 | H90° x V110° | 2700 | 5000K | 70 | 5.48 x 3.52 x 8.38 | 12 |
| 3663106 | Y | SSL-DW1/17W/50/120/C/DB | LED 17W, 50K, 120V, PC Lens Clear, Dark Bronze | 17 | 120 | 50,000 | H90° x V70° | 1700 | 5000K | 82 | 5.48 x 3.52 x 8.38 | 12 |
| 3664103 | Y | SSL-DW1/25W/50/120/C/DB | LED 25W, 50K, 120V, PC Lens Clear, Dark Bronze | 25 | 120 | 50,000 | H90° x V70° | 2600 | 5000K | 70 | 5.48 x 3.52 x 8.38 | 12 |

Applications

Security, entry ways, stairways, storage and perimeter areas, as well as residential exteriors

Dimensional drawing



Ordering Information Example: SSL-WP2/30W/50/UNV/DB/PS1

| Family Name | Fixture Type | Wattage | CCT | Voltage (V) | Lens | Body Finish |
|-------------------------------|---|-------------------|---------------|---------------|------------------------|---------------------|
| SSL (Solid State Lighting) | DW1 (Outdoor Commercial Entry Light) | 25W 17W 15W | 50 (5000K) | 120 (120V) | F (Frost) C (Clear) | DB (Dark Bronze) |



LED FIXTURE

SSL Series



Photo shown with installed sensor

LED Compact Parking Garage Canopy SSL-CPG

120-347V Auto-Sensing Driver
1-10V dimming
Multiple Kelvin (CCT) Selection



Features & Benefits

- cULus listed
- System light efficacy ≥ 135 lm / W
- Switchable CCT (30K/40K/50K)
- White finish
- 1-10V DC dimming option
- IP 65 rated, wet location

- Suitable for J-BOX mounting, and pendant mounting
- CRI ≥ 80 , L70@ 50,000 Hrs
- Voltage 120-347V Auto-Sensing
- 150° Beam spread, PC Lens
- Installed sensor socket allows for ease of sensor installation, sensor sold separately

Warranty

5-year limited warranty in commercial use from the date of purchase
Operating temperature range between -40°C and +50°C

Applications

Parking structures, storage areas, shopping area walkways, entryway, and low level security

Ordering Information Example: SSL-CPG/25W/MK/120-347V/WH/D

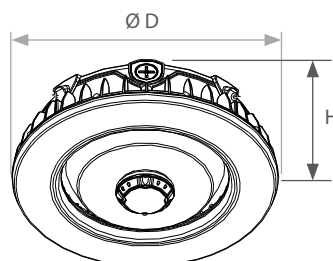
| Family Name | Fixture Type | Wattage | CCT (Kelvin) | Voltage | Finish | Dimmable | Options |
|-------------------------------|--|------------------------------|-------------------|----------|------------|--------------|--|
| SSL (Solid State Lighting) | CPG (Compact Parking Garage Canopy) | 25W, 40W 60W, 75W 100W | MK (Multi CCT) | 120-347V | WH (White) | D (Dimmable) | SSL-CPG/LV/12V/SENSOR SSL-CPG/LV/12V/CONTROLLER |

Product Specification

| Ordering Code | Model Number | Wattage (W) | Input Voltage (V) | Hour Rating | Initial Delivered Lumens (lumen) | CCT (K) | CRI | Wet Location | Dimension DxH(inch) | Case QTY. |
|---------------|-------------------------------|---|-------------------|-------------|----------------------------------|----------|-----------|--------------|---------------------|-----------|
| 3664309 | SSL-CPG/25W/MK/120-347V/WH/D | 25 | 120-347V | 50,000 | 3500 | 30-40-50 | ≥ 80 | Yes | 10 x 3.1 | 1 |
| 3665314 | SSL-CPG/40W/MK/120-347V/WH/D | 40 | 120-347V | 50,000 | 5400 | 30-40-50 | ≥ 80 | Yes | 10 x 3.1 | 1 |
| 3666315 | SSL-CPG/60W/MK/120-347V/WH/D | 60 | 120-347V | 50,000 | 8100 | 30-40-50 | ≥ 80 | Yes | 10 x 3.1 | 1 |
| 3666316 | SSL-CPG/75W/MK/120-347V/WH/D | 75 | 120-347V | 50,000 | 10100 | 30-40-50 | ≥ 80 | Yes | 11 x 3.1 | 1 |
| 3666317 | SSL-CPG/100W/MK/120-347V/WH/D | 100 | 120-347V | 50,000 | 13500 | 30-40-50 | ≥ 80 | Yes | 11 x 3.1 | 1 |
| 3660154 | SSL-CPG/LV/12V/SENSOR | SSL CPG Canopy 12V DC Microwave Sensor | | | | | | | | |
| 3660155 | SSL-CPG/LV/12V/CONTROLLER | SSL CPG Canopy 12V DC Microwave Sensor Remote Control | | | | | | | | |

Dimensional drawing

| | DIA/ D | H |
|---------------|--------|------|
| 25W, 40W, 60W | 10" | 3.1" |
| 75W, 100W | 11" | 3.1" |



SSL-CPG/LV/12V/SENSOR



SSL-CPG/LV/12V/CONTROLLER



LED FIXTURE

SSL Series



LED Canopy SSL-CP3

Ultra-thin design allows for use in low ceiling applications.
120-347V Auto-Sensing Driver
0-10V dimming
Multiple Wattage and Multiple Kelvin Selection



Features & Benefits

| | |
|--|---|
| cULus listed | IP65, wet location rated |
| 120-347V Auto Sensing driver, 0-10V dimming | CRI≥70, L70 @ 100,000 Hrs, 150° Beam angle |
| Switchable CCT (30K/40K/50K), Switchable Wattage | Suitable for J-BOX mounting, and pendant mounting |
| Die-cast aluminum with durable dark bronze coat finish | PC Lens clear |

Warranty

5-year limited warranty in commercial use from the date of purchase
Operating temperature range between -40°C and +40°C

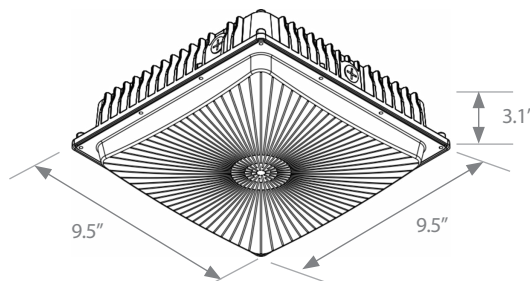
Applications

Parking structures, storage areas, shopping area walkways, entryway, and low level security

Ordering Information Example: SSL-CP3/40W/MK/120-347V/D/DB

| Family Name | Fixture Type | Wattage | CCT | Voltage (V) | Dimmable | Finish |
|-------------------------------|---------------------|--|-------------------------|-------------|-----------------|------------------|
| SSL (Solid State Lighting) | CP3 (LED Canopy) | 40W 60M (60-40-28) MW (Multiple Wattage) | MK (Multiple Kelvin) | 120-347V | D (Dimmable) | DB (Dark Bronze) |

Dimensional drawing



Product Specification

| Ordering Code | Model Number | Wattage (W) | Input Voltage (V) | Hour Rating | Optics/ Distribution | Initial Delivered Lumens (lm) | CCT (K) | CRI | Dimension L×W×H(inch) | Case QTY. |
|---------------|---------------------------------|-------------|-------------------|-------------|----------------------|-------------------------------|----------|-----|-----------------------|-----------|
| 3665315 | SSL-CP3/40W/MK/120-347V/D/DB | 40 | 120-347 | 50,000 | H150° x V150° | 5200 | 30-40-50 | 70 | 9.5" x 9.5" x 3.1" | 5 |
| 3680306 | SSL-CP3/60M/MW/MK/120-347V/D/DB | 60-40-28 | 120-347 | 50,000 | H150° x V150° | 7800-5200-3640 | 30-40-50 | 70 | 9.5" x 9.5" x 3.1" | 5 |



LED FIXTURE

SSL Series



LED Canopy SSL-CP2

Ultra-thin design allows for use in low ceiling applications.



Features & Benefits

- CUL listed, DLC qualified
- Available with lumen outputs from 3,800 to 8,000 lumens
- System light efficacy ≥ 141 lm / W
- Ultra light design, black body finish
- Wet location listed

- PIR sensor, emergency battery optional, external MTG.
- Voltage 120-277V/347-480V, support 1-10V dimmable*
- CRI ≥ 70 , L70 @ 50,000 Hrs/ other CCT available consult MFG.
- Suitable for J-BOX mounting, and pendant mounting
- PC optical lens

Warranty

- 5-year limited warranty in commercial use from the date of purchase
- Operating temperature range between -40°C and +40°C

Applications

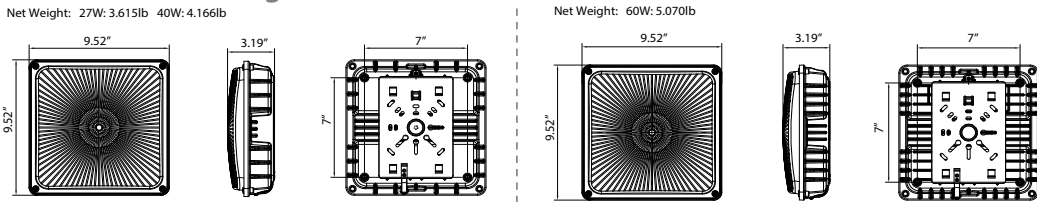
Parking structures, storage areas, shopping area walkways, entryway, and low level security

* For details, see product specification below

Product Specification

| Ordering Code | DLC | Model Number | Description | Wattage (W) | Input Voltage (V) | Hour Rating | Optics/ Distribution | Initial Delivered Lumens (lm) | CCT (K) | CRI | Dimension LxWxH(inch) | Case QTY. |
|---------------|-----|-------------------------|--|-------------|-------------------|-------------|----------------------|-------------------------------|---------|-----|-----------------------|-----------|
| - | Y | SSL-CP2/27W/40/UNV/BK | 27W, 40K, 120-277V, Black | 27 | 120-277 | 50,000 | H160° x V160° | 3800 | 4000K | 70 | 9.52 x 9.52 x 3.19 | 1 |
| 3664125 | Y | SSL-CP2/27W/50/UNV/BK | 27W, 50K, 120-277V, Black | 27 | 120-277 | 50,000 | H160° x V160° | 3800 | 5000K | 70 | 9.52 x 9.52 x 3.19 | 1 |
| - | Y | SSL-CP2/27W/40/UNV/BK/D | 27W, 40K, 120-277V, Black, 1-10V Dimming | 27 | 120-277 | 50,000 | H160° x V160° | 3800 | 4000K | 70 | 9.52 x 9.52 x 3.19 | 1 |
| 3664126 | Y | SSL-CP2/27W/50/UNV/BK/D | 27W, 50K, 120-277V, Black, 1-10V Dimming | 27 | 120-277 | 50,000 | H160° x V160° | 3800 | 5000K | 70 | 9.52 x 9.52 x 3.19 | 1 |
| - | Y | SSL-CP2/40W/40/UNV/BK | 40W, 40K, 120-277V, Black | 40 | 120-277 | 50,000 | H160° x V160° | 5450 | 4000K | 70 | 9.52 x 9.52 x 3.19 | 1 |
| 3665139 | Y | SSL-CP2/40W/50/UNV/BK | 40W, 50K, 120-277V, Black | 40 | 120-277 | 50,000 | H160° x V160° | 5450 | 5000K | 70 | 9.52 x 9.52 x 3.19 | 1 |
| - | Y | SSL-CP2/40W/40/UNV/BK/D | 40W, 40K, 120-277V, Black, 1-10V Dimming | 40 | 120-277 | 50,000 | H160° x V160° | 5450 | 4000K | 70 | 9.52 x 9.52 x 3.19 | 1 |
| 3665140 | Y | SSL-CP2/40W/50/UNV/BK/D | 40W, 50K, 120-277V, Black, 1-10V Dimming | 40 | 120-277 | 50,000 | H160° x V160° | 5450 | 5000K | 70 | 9.52 x 9.52 x 3.19 | 1 |
| - | Y | SSL-CP2/40W/40/HVU/BK/D | 40W, 40K, 347-480V, Black, 1-10V Dimming | 40 | 347-480 | 50,000 | H160° x V160° | 5450 | 4000K | 70 | 9.52 x 9.52 x 3.19 | 1 |
| 3665228 | Y | SSL-CP2/40W/50/HVU/BK/D | 40W, 50K, 347-480V, Black, 1-10V Dimming | 40 | 347-480 | 50,000 | H160° x V160° | 5450 | 5000K | 70 | 9.52 x 9.52 x 3.19 | 1 |
| - | Y | SSL-CP2/60W/40/UNV/BK | 60W, 40K, 120-277V, Black | 60 | 120-277 | 50,000 | H160° x V160° | 8000 | 4000K | 70 | 9.52 x 9.52 x 3.19 | 1 |
| 3666125 | Y | SSL-CP2/60W/50/UNV/BK | 60W, 50K, 120-277V, Black | 60 | 120-277 | 50,000 | H160° x V160° | 8000 | 5000K | 70 | 9.52 x 9.52 x 3.19 | 1 |
| - | Y | SSL-CP2/60W/40/UNV/BK/D | 60W, 40K, 120-277V, Black, 1-10V Dimming | 60 | 120-277 | 50,000 | H160° x V160° | 8000 | 4000K | 70 | 9.52 x 9.52 x 3.19 | 1 |
| 3666126 | Y | SSL-CP2/60W/50/UNV/BK/D | 60W, 50K, 120-277V, Black, 1-10V Dimming | 60 | 120-277 | 50,000 | H160° x V160° | 8000 | 5000K | 70 | 9.52 x 9.52 x 3.19 | 1 |
| - | Y | SSL-CP2/60W/40/HVU/BK/D | 60W, 40K, 347-480V, Black, 1-10V Dimming | 60 | 347-480 | 50,000 | H160° x V160° | 8000 | 4000K | 70 | 9.52 x 9.52 x 3.19 | 1 |
| 3666231 | Y | SSL-CP2/60W/50/HVU/BK/D | 60W, 50K, 347-480V, Black, 1-10V Dimming | 60 | 347-480 | 50,000 | H160° x V160° | 8000 | 5000K | 70 | 9.52 x 9.52 x 3.19 | 1 |

Dimensional drawing



Ordering Information Example: SSL-CP2/27W/50/UNV/BK/D

| Family Name | Fixture Type | Wattage | CCT | Voltage (V) | Body Finish | Dimmable | Options |
|----------------------------|------------------|---------------|--------------------------|--------------------------------|-------------|-----------------------------------|------------------|
| SSL (Solid State Lighting) | CP2 (LED Canopy) | 25W, 40W, 60W | 40 (4000K) 50 (5000K) | UNV (120~277V), HVU (347~480V) | BK (Black) | D(Dimmable), Blank (Non-Dimmable) | TL-2052 (Sensor) |



COLOR CHANGING

LED FIXTURE

SSL Series

LED Stringer Light Set

SSL-STRINGER/RGBW

24 Light, LED color changing string lights



Features & Benefits

- cUL listed, wet location approved
- Decorative RGB & White (2200K) LED bulbs
- 14.6m / 48 ft heavy-duty 5C 18AWG cord with male & female molded connectors
- Connect up to 3 sets 44m / 144ft

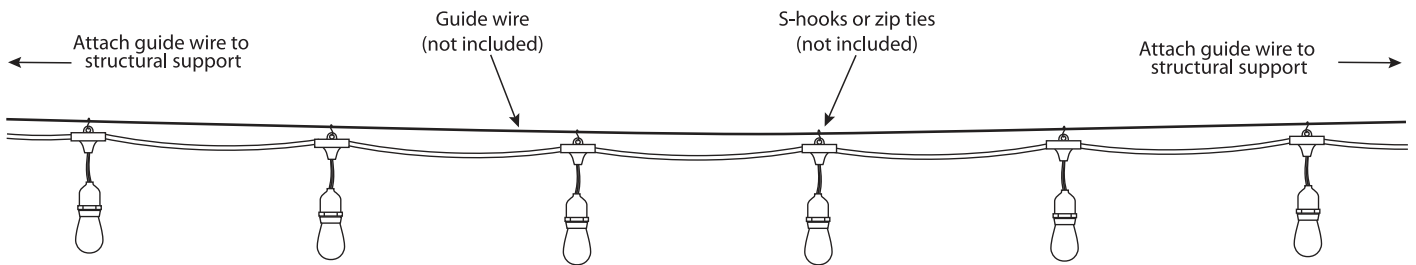
- 120V, Dimmable (White/2200K only)
- Shatter-resistant bulbs, 0.2watt per bulb
- Bulbs spaced 2ft on centre
- Remote control color changing

RGB COLOR + WHITE

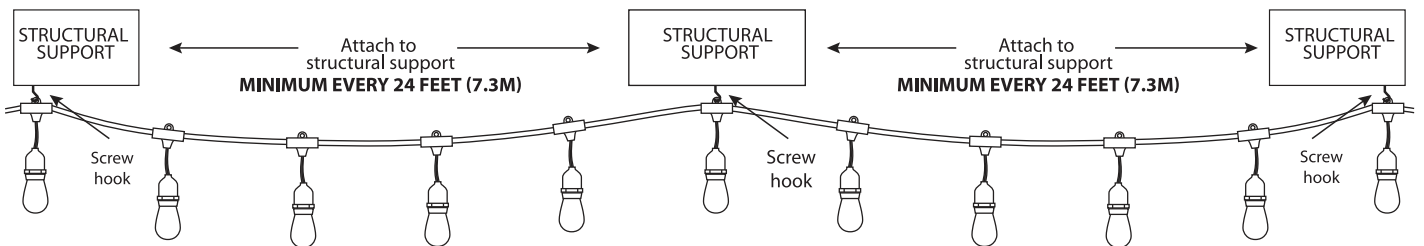


Installation

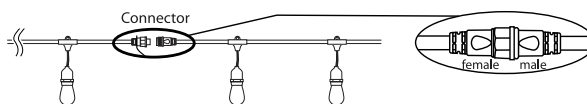
1. Using a guide wire with S-hooks or zip ties (not included)



2. Attached to a structure



Connect to String Light



Ordering Information Example: SSL-STRINGER/48F/4.8W/RGBW/D/120V

| Family Name | Fixture Type | Total Length | Wattage Per Set (Maximum) | Color | Input Line Voltage |
|----------------------------|-------------------------------|---------------|---------------------------|--------------------------------------|--------------------|
| SSL (Solid State Lighting) | STRINGER (Stringer Light Set) | 48F (48 feet) | 4.8W (0.2W/bulb) | RGBW (Red, Green, Blue, White/2200K) | 120V |

Product Specification

| Order Code | Model Number |
|------------|-----------------------------------|
| 3661100 | SSL-STRINGER/48F/4.8W/RGBW/D/120V |



LED FIXTURE

SSL Series

LED Stringer Light Set SSL-STRINGER

24 Light, LED outdoor stringer light set



Features & Benefits

CUL listed, wet location approved

Decorative LED bulbs 2200K (warm light)

14.6m / 48 ft heavy-duty 16/3 cord with male & female molded connectors

Connect up to 45 sets 658m / 2160ft using 1W LED lamp only

Includes 24 bulbs plus 2 spares

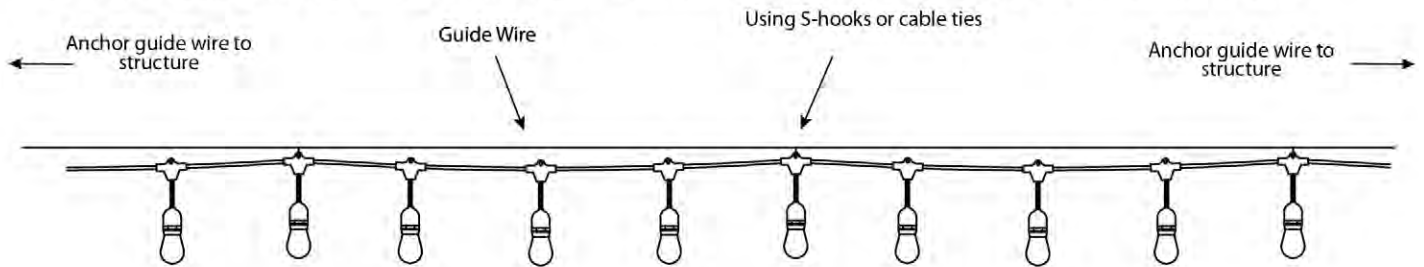
Shatter-resistant bulbs

Bulbs spaced 2ft on centre

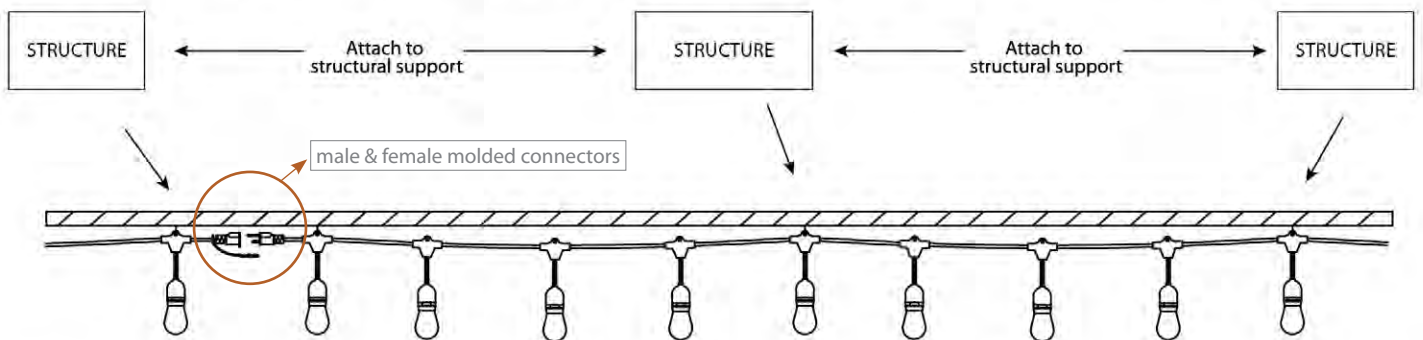
Energy saving 1 watt LED bulbs, 120V

Installation

1. If attaching to the guide wire, attach the ring at the back of the bulb holder to the guide wire using a S-hook or cable tie.



2. If a guide wire is not used, connect securely to structure at the beginning, middle and the end of EACH string light.



Ordering Information Example: SSL-STRINGER/48F/24W/22K/120V

| Family Name | Fixture Type | Total Length | Wattage Per Set (Maximum) | CCT | Input Line Voltage |
|----------------------------|-------------------------------|---------------|---------------------------|-------------|--------------------|
| SSL (Solid State Lighting) | STRINGER (Stringer Light Set) | 48F (48 feet) | 24W | 22K (2200K) | 120V |

Product Specification

| Order Code | Model Number |
|------------|-------------------------------|
| 3664118 | SSL-STRINGER/48F/24W/22K/120V |



LED FIXTURE

TL Series

LED Emergency

TL-RMES101

"Running Man" LED Emergency Sign



Features & Benefits

- Injection-molded thermoplastic housing

- Easy installation

- Ni-cd battery backup for 90 minutes, AC only & 6-24V UDC (TL-RMES101-UDC)

- Universal (Wall, Ceiling, Side) mounting

- Super bright SMD LED

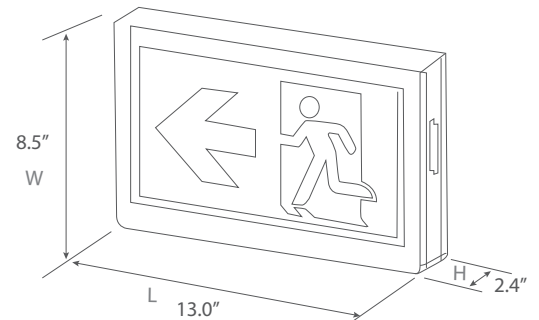
- 120/347VAC input voltage

- 3 Pictograms included, single/ double face

- cUL listed / IP20

- Test switch and charge indicator light

Dimensional Drawing



Arrow 2pcs



Without Arrow 1pc

Warranty

- 2-year limited warranty in commercial use from the date of purchase

- Operating temperature range between -10°C and +40°C

Ordering Information Example: TL-RMES101

| Family Name | Fixture Type | Model |
|----------------|-------------------------------------|--|
| TL (Turolight) | RMES ("Running Man" Emergency Sign) | 101 (Emergency Sign) 101-UDC (Emergency Sign, AC only & 6-24V UDC) |

Product Specification

| Ordering Code | Model Number | Description | Wattage (W) | Input Voltage (V) | Mounting | Remote Capable | Self Powered Battery | Damp Location | Dimensions LxWxH (inch) | Case QTY. |
|---------------|----------------|---|-------------|-------------------|---------------------|----------------|----------------------|---------------|-------------------------|-----------|
| 3461114 | TL-RMES101 | "Running Man" LED Emergency Sign, White Housing | 3W | 120/347VAC | Wall, Ceiling, Side | No | Yes (90 minutes) | Yes | 13.0"×8.5"×2.4" | 6 |
| 3461116 | TL-RMES101-UDC | "Running Man" LED Emergency Sign, White Housing AC only & 6-24V UDC | 3W | 120/347VAC | Wall, Ceiling, Side | Yes | NO | Yes | 13.0"×8.5"×2.4" | 6 |



LED FIXTURE

TL Series

LED Emergency

TL-RMES201

"Running Man" LED Edge-lit Emergency Sign



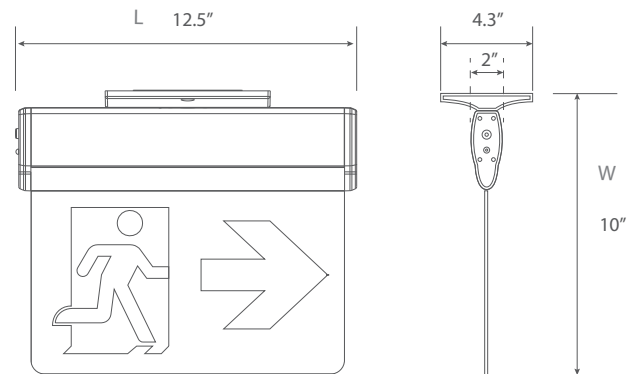
Features & Benefits

- Injection-molded thermoplastic ABS housing
- Easy installation
- Ni-cd battery backup for 90 minutes, AC only & 6-24V UDC (TL-RMES201-UDC)
- Universal (Wall, Side, Ceiling) mounting
- Super bright SMD LED
- 120/347VAC input voltage, 3W
- 3 Pictograms included, single/ double face
- cUL listed / IP20
- Test switch and charge indicator light

Warranty

- 2-year limited warranty in commercial use from the date of purchase
- Operating temperature range between 0°C and +40°C

Dimensional Drawing



Arrow 2pcs



Without Arrow 1pc

Ordering Information Example: TL-RMES201

| Family Name | Fixture Type | Model |
|----------------|-------------------------------------|---|
| TL (Turolight) | RMES ("Running Man" Emergency Sign) | 201 (Edge-lit Emergency Sign) 201-UDC (Edge-lit Emergency Sign , AC only & 6-24V UDC) |

Product Specification

| Ordering Code | Model Number | Description | Wattage (W) | Input Voltage (V) | Mounting | Remote Capable | Self Powered Battery | Damp Location | Dimensions* LxW (inch) | Case QTY. |
|---------------|----------------|--|-------------|-------------------|---------------------|----------------|----------------------|---------------|------------------------|-----------|
| 3461115 | TL-RMES201 | "Running Man" LED Edge-lit Emergency Sign, White Plastic Housing AC only | 3W | 120/347VAC | Wall, Side, Ceiling | No | Yes (90 minutes) | Yes | 12.5"×10" | 10 |
| 3461117 | TL-RMES201-UDC | "Running Man" LED Edge-lit Emergency Sign, White Plastic Housing AC only & 6-24V UDC | 3W | 120/347VAC | Wall, Side, Ceiling | Yes | No | Yes | 12.5"×10" | 10 |

* Please see the "Dimensional Drawing" for detail



LED FIXTURE

TL Series

LED Emergency

TL-RMES301

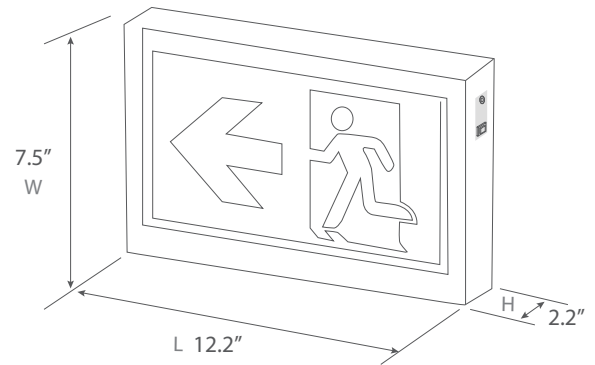
"Running Man" LED emergency sign in metal



Features & Benefits

- _____ CRS housing + PC panel(s)
- _____ Easy installation
- _____ Ni-cd battery backup for 2 hrs (TL-RMES301)
- _____ AC only & 6-24V UDC (TL-RMES301-UDC)
- _____ Universal (wall, ceiling, side) mounting
- _____ Super bright SMD LED
- _____ 3 Pictograms included, single/ double face
- _____ CSA C22.2 No. 141/ IP20
- _____ Test switch and charge indicator light

Dimensional Drawing



Arrow 2pcs



Without Arrow 1pc

Warranty

- _____ 2-year limited warranty in commercial use from the date of purchase
- _____ Operating temperature range between -10°C and +40°C

Ordering Information Example: TL-RMES301

| Family Name | Fixture Type | Model |
|----------------|-------------------------------------|---|
| TL (Turolight) | RMES ("Running Man" Emergency Sign) | 301 (Emergency Sign) 301D-UDC (Emergency Sign AC only & 6-24V UDC) |

Product Specification

| Ordering Code | Model Number | Description | Wattage (W) | Input Voltage (V) | Mounting | Remote Capable | Self Powered Battery | Damp Location | Dimensions LxWxH (inch) | Case QTY. |
|---------------|----------------|--|------------------------|-------------------|---------------------|----------------|----------------------|---------------|-------------------------|-----------|
| 3481100 | TL-RMES301 | "Running Man" LED Emergency Sign, White Metal Housing Ni-cd battery backup for 2 hours | 3W (120V) 4W (347V) | 120/347VAC | Wall, Ceiling, Side | No | Yes (2 hrs) | Yes | 12.2" x 7.5" x 2.2" | 10 |
| 3461118 | TL-RMES301-UDC | "Running Man" LED Emergency Sign, White Metal Housing AC only & 6-24V UDC | 3W (120V) | 120/347VAC | Wall, Ceiling, Side | Yes | No | Yes | 12.2" x 7.5" x 2.2" | 10 |



LED FIXTURE

TL Series

LED Emergency TL-RMES003, RMES302

"Running Man" LED Emergency Combo Sign



Features & Benefits

- Injection-molded thermoplastic housing (RMES003). RMES302 metal housing c/w 36W 6V battery pack, allows for the addition of Remote heads.

- Easy installation

- Ni-cd battery backup for 90 minutes

- Universal (Wall, Ceiling) mounting

- 2W x 2 super bright SMD LED adjustable heads

- 120/347VAC input voltage

- 3 Pictograms included, single/ double face

- cUL listed / IP20

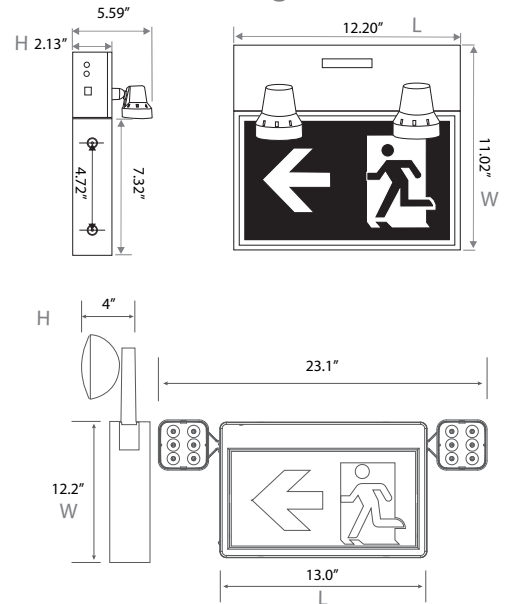
- Test switch and charge indicator light

Warranty

- 2-year limited warranty in commercial use from the date of purchase

- Operating temperature range between -10°C and +40°C

Dimensional Drawing



Ordering Information Example: TL-RMES003

| Family Name | Fixture Type | Model |
|----------------|-------------------------------------|--|
| TL (Turolight) | RMES ("Running Man" Emergency Sign) | 003 ("Running Man" Combo Sign) Plastic 302 ("Running Man" Combo Sign) Metal, additional 6VDC remote head capable |



Product Specification

| Ordering Code | Model Number | Description | Image | Wattage (W) | Input Voltage (V) | Mounting | Self Powered Battery | Damp Location | Dimensions LxWxH (inch) | Case QTY. |
|---------------|--------------|---|-------|-------------|-------------------|---------------|----------------------|---------------|-------------------------|-----------|
| 3461210 | TL-RMES003 | "Running Man" LED Emergency Sign, White Plastic Housing | | 4W | 120/347VAC | Wall, Ceiling | Yes (90 minutes) | Yes | 13.0"×12.2"×4" | 4 |
| 3461212 | TL-RMES302 | "Running Man" LED Emergency Sign, White Metal Housing | | 36W | 120/347VAC | Wall, Ceiling | Yes (90 minutes) | Yes | 12.2"×11.02"×2.13" | 6 |



LED FIXTURE

TL Series



LED Emergency

TL-EM001

Twin Head LED Emergency Light



Features & Benefits

Injection-molded thermoplastic housing

Input Voltage 120/347V, 181 lumens

Easy installation

Ni-cd battery backup for 90 minutes

2W x 2 SMD LED adjustable heads

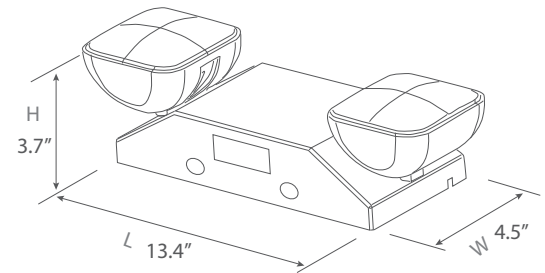
Universal (Wall, Ceiling) mounting

IP Class: IP20, not intended for outdoor use

Test switch and charge indicator light

UL-94V-0 flame rating, fire-retardant

Dimensional Drawing



Warranty

2-year limited warranty in commercial use from the date of purchase

Operating temperature range between -10°C and +40°C

Ordering Information Example: TL-RMES003

| Family Name | Fixture Type | Model |
|----------------|----------------------|-------------------------------------|
| TL (Turolight) | EM (Emergency Light) | 001 (Twin Head LED Emergency Light) |

Product Specification

| Ordering Code | Model Number | Description | Wattage (W) | Input Voltage (V) | CCT (K) | Hour Rating | CRI | Lumens | Mounting | Self Powered Battery | Damp Location | Dimensions LxWxH (inch) | Case QTY. |
|---------------|--------------|---|-------------|-------------------|---------|-------------|-----|--------|---------------|----------------------|---------------|-------------------------|-----------|
| 3461211 | TL-EM001 | Twin Head LED Emergency With Battery Backup | 4W | 120/347VAC | 7,000 | 50,000 | 82 | 181 | Wall, Ceiling | Yes (90 minutes) | Yes | 13.4"×4.5"×3.7" | 12 |



LED FIXTURE

TL Series

LED Emergency

TL-EM002, TL-EM003

LED Emergency Remote Head



TL-EM003
(5W/ 7W)



TL-EM002
(10W/ 14W)



TL-EM003
(2W)



TL-EM002
(4W)



Features & Benefits

Injection-molded thermoplastic housing

Innovative, easy installation

UL-94V-0 flame rating, fire-retardant

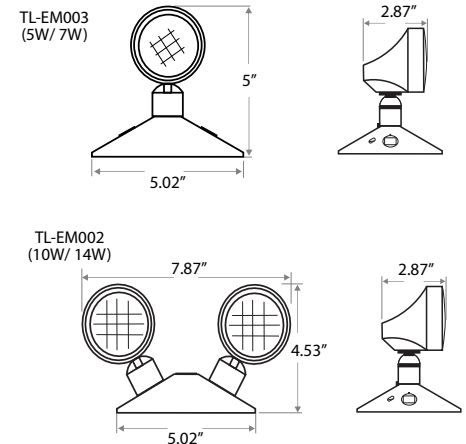
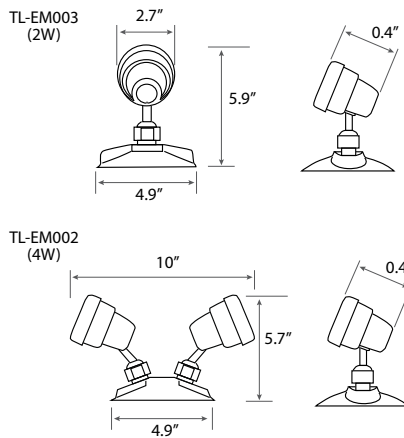
Universal (Wall, Ceiling) mounting

2W/ 5W/ 7W x 2 LED lamp heads (TL-EM002)

2W/ 5W/ 7W x 1 LED lamp head (TL-EM003)

cUL listed / IP20, damp location rated

Dimensional Drawing



Warranty

2-year limited warranty

Operating temperature range between 0°C and +40°C

Ordering Information Example: TL-RMES003

| Family Name | Fixture Type | Model | Wattage |
|----------------|----------------------|---|----------------------------|
| TL (Turolight) | EM (Emergency Light) | 002 (LED Emergency 2 Remote Heads) 003 (LED Emergency 1 Remote Head) | 4W, 10W, 14W 2W, 5W, 7W |

Product Specification

| Ordering Code | Model Number | Description | Wattage (W) | Input Voltage (V) | CCT (K) | Hour Rating | CRI | Mounting | Remote Capable | Damp Location | Dimensions LxW (inch) | Case QTY. |
|---------------|--------------|------------------------------|-------------|-------------------|---------|-------------|-----|---------------|----------------|---------------|-----------------------|-----------|
| 3461112 | TL-EM002 | LED Emergency 2 Remote Heads | 4W | 3.6-24 VDC | 7,000 | 50,000 | 82 | Wall, Ceiling | Yes | Yes | 5.7" x 4.9" | 40 |
| 3462101 | TL-EM002-10W | LED Emergency 2 Remote Heads | 10W | 5-12 VDC | 6,500 | 50,000 | 82 | Wall, Ceiling | Yes | Yes | 4.53" x 5.02" | 20 |
| 3462102 | TL-EM002-14W | LED Emergency 2 Remote Heads | 14W | 5-12 VDC | 6,500 | 50,000 | 82 | Wall, Ceiling | Yes | Yes | 4.53" x 5.02" | 20 |
| 3461113 | TL-EM003 | LED Emergency 1 Remote Head | 2W | 3.6-24 VDC | 7,000 | 50,000 | 82 | Wall, Ceiling | Yes | Yes | 5.9" x 4.9" | 40 |
| 3461119 | TL-EM003-5W | LED Emergency 1 Remote Head | 5W | 5-12 VDC | 6,500 | 50,000 | 82 | Wall, Ceiling | Yes | Yes | 5" x 5.02" | 20 |
| 3462100 | TL-EM003-7W | LED Emergency 1 Remote Head | 7W | 5-12 VDC | 6,500 | 50,000 | 82 | Wall, Ceiling | Yes | Yes | 5" x 5.02" | 20 |



LED FIXTURE

TL Series



LED Emergency With Battery

TL-EMRM/24W

LED Emergency Light With Battery Backup



Features & Benefits

- Injection-molded thermoplastic ABS housing

- Input Voltage 120/347V, 144 Lumens

- Output 4W, 24W Remote Backup

- 6V 5Ah Lead-acid Battery for 30 minutes

- Remote capable 6V / 24W, support 12 pcs of TL-EM003 or 6 pcs of TL-EM002

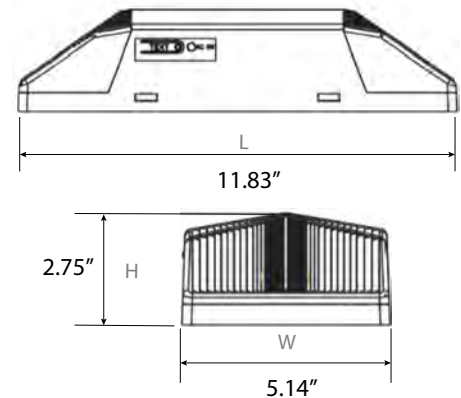
- Universal (Wall, Ceiling) mounting

- IP Class: IP20, not intended for outdoor use

- Conversion time: <0.2second

- Charging time 24 hours

Dimensional Drawing



Warranty

- 2-year limited warranty in commercial use from the date of purchase

- Operating temperature range between 10°C and +40°C



Ordering Information Example: TL-EMRM/24W/6VDC/120-347V

| Family Name | Fixture Type | Model |
|----------------|-------------------------|-------------------|
| TL (Turolight) | EMRM (Emergency Remote) | 24W/6VDC/120-347V |

Product Specification

| Ordering Code | Model Number | Description | Wattage (W) | Input Voltage (V) | CCT (K) | Hour Rating | CRI | Lumens | Mounting | Self Powered Battery | Damp Location | Dimensions LxWxH (inch) | Case QTY. |
|---------------|---------------------------|--|-------------------------|-------------------|---------|-------------|-----|--------|---------------|----------------------|---------------|-------------------------|-----------|
| 3464200 | TL-EMRM/24W/6VDC/120-347V | Twin Head LED Emergency With Battery Backup 24W Remote capable | 4W (24W For Remotes) | 120/347VAC | 7,000 | 50,000 | 82 | 144 | Wall, Ceiling | Yes (30 minutes) | Yes | 11.83" x 5.14" x 2.75" | 8 |



LED FIXTURE

TL Series

Steel Battery Unit

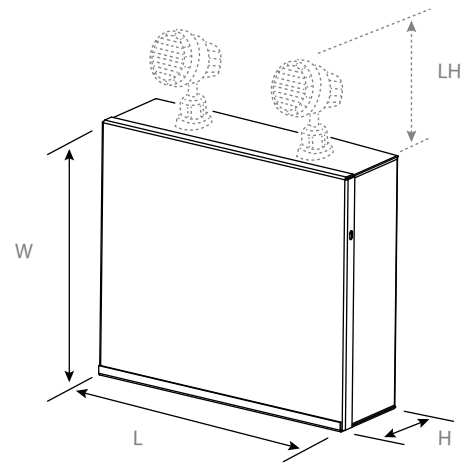
TL-EMRM



Features & Benefits

- 18 Gauge steel housing
- UL-94V-0 flame rating, fire-resistant
- Input Voltage: 120/277/347V
- Power consumption: 8W max.
- Output: 36W-95W max.
- With or without 2x2W heads, 12V / 6V sealed lead-acid battery
- Charging time: 24 hours
- Discharge time: 30 minutes
- Conversion time: <0.2second
- Damp location rated, IP Class: IP20, not intended for outdoor use
- 2-year limited warranty in commercial use from the date of purchase
- Operating temperature 10°C and +40°C

Dimensional Drawing



Ordering Information Example: TL-EMRM/90W/12VDC/0/120-347V

| Family Name | Fixture Type | Models |
|----------------|-------------------------|---|
| TL (Turolight) | EMRM (Emergency Remote) | 90W/12VDC/0/120-347V 90W/12VDC/2/120-347V 95W/12VDC/2/120-347V 36W/6VDC/2/120-347V |

Product Specification

| Ordering Code | Model Number | Description | Image | Watts (W) | HEADS | Input Voltage (V) | Mounting | Self Powered Battery | Damp Location | Dimensions LxWxH (inch) (LH) (inch) | Case QTY. |
|---------------|------------------------------|--|-------|-----------|-------|-------------------|----------|----------------------|---------------|-------------------------------------|-----------|
| 3466200 | TL-EMRM/90W/12VDC/0/120-347V | Steel battery unit, output 12V 64W max | | 64W | 0 | 120/277/347VAC | Wall | Yes (30 minutes) | Yes | 10.2"×9.1"×3.27" | 3 |
| 3466201 | TL-EMRM/90W/12VDC/2/120-347V | Steel battery unit with 2x2W heads, output 12V 60W max | | 60W | 2 | 120/277/347VAC | Wall | Yes (30 minutes) | Yes | 10.2"×9.1"×3.27" (5") | 3 |
| 3466202 | TL-EMRM/95W/12VDC/2/120-347V | Steel battery unit with 2x2W heads, output 12V 95W max | | 95W | 2 | 120/277/347VAC | Wall | Yes (30 minutes) | Yes | 12.2"×7.87"×2.76" (3.55") | 5 |
| 3465200 | TL-EMRM/36W/6VDC/2/120-347V | Steel battery unit with 2x2W heads, output 6V 36W max | | 36W | 2 | 120/277/347VAC | Wall | Yes (30 minutes) | Yes | 11.8"×5.5"×2.95" (3.55") | 10 |



LED FIXTURE



LED Sports Light SSL-SL

Delivers volumetric lighting and reducing glare.



Electrical Data

| | |
|---------------------------|---------------------|
| Wattage | From 300W to 1,250W |
| PowerSupply | MEANWELL |
| Input Voltage | AC100-277V / 347V |
| Power Frequency | 50/60Hz |
| Power Efficiency | >93% |
| Power Factor | 0.95 |
| Total Harmonic Distortion | <15% |

Optical Data

| | |
|-------------------|--------------------------|
| LED Type | LUMILEDS |
| Efficiency | 130lm/W |
| Luminous Flux | From 39,000 to 146,250lm |
| CCT | 4000K/5000K |
| CRI | >80Ra |
| System Efficiency | >90% |
| Beam Angle | From 15° to 120° |

Other Features

- cUL listed
- L70 100,000 Hrs
- 10KV surge protection, IP66 rated
- 2M cable black
- Black housing with Red accents

Warranty

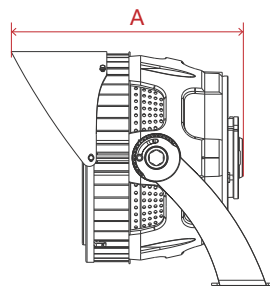
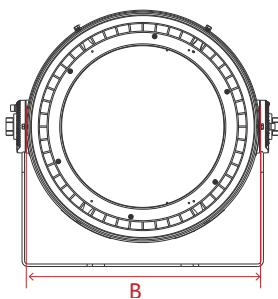
5-year limited warranty in commercial use from the date of purchase

Operating temperature range between -40°C and +50°C

Applications

Indoor/ Outdoor sports arenas

Dimensional drawing



| | A | B |
|-------------|---------------|----------------|
| 300W~500W | 398mm/ 15.67" | Ø368mm/ 14.49" |
| 750W~1,250W | 500mm/ 19.7" | Ø474mm/ 18.66" |



Lens



Products are designed with seamless combination of advanced free forms optics and structure. Unique micromulti facet optic design makes the light uniformity even and reduced glare. Advanced material maximizes light transmittance.



Bracket



Up and down adjustable angle 0° ~ 240°



Left and right adjustable angle 0° ~ 200°



LED Sports Light

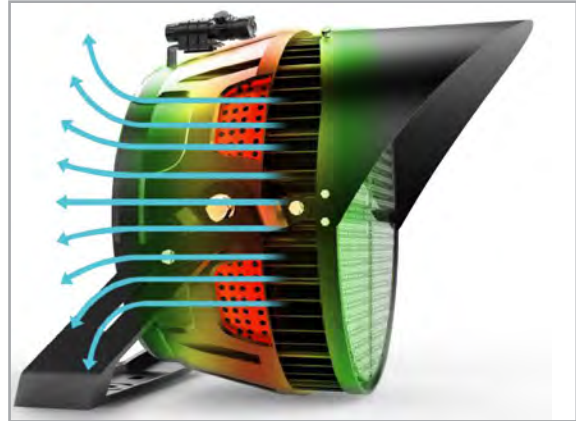
SSL-SL

Good heat dissipation can extend the service life of lamps.

The high efficiency of power supply, low power consumption, low heat output in the lamps, reduce the temperature rise of the lamps, which is beneficial to extending the LED's life.

Thermal Management

Seamless link of materials and numerous vents on heat sink improved heat management, keeps away from all field heat,ensures the stability of light system.



Driver Supplier

Better heat managment, easier installation, convenient for maintenance and replacement.



Ordering Information Example: SSL-SL/400W/50/UNV/80

| Family Name | Fixture Type | Wattage | Lumen | CCT (Kelvin) | Voltage | Beam Angle | Bracket Type |
|---------------------------|-------------------|---------|-----------|--------------|------------------------|--------------------------------|-----------------------|
| SSL(Solid State Lighting) | SL (Sports Light) | 300W | 39,000lm | 40(4000K) | UNV (100-277V) 347V | 15 (15°), 30 (30°) | Blank (Wall Mounting) |
| | | 400W | 52,000lm | 50(5000K) | | 45 (45°), 80 (80°) | |
| | | 500W | 65,000lm | | | 120 (120°) | |
| | | 750W | 87,750lm | | | | |
| | | 1000W | 130,000lm | | | 15, 20, 25, 40, 60, 80 | |
| | | 1250W | 146,250lm | | | (15°, 20°, 25°, 40°, 60°, 80°) | |



Wall Mounting



**PIR HIGH BAY
FIXTURE MOUNT
OCCUPANCY SENSORS**

EFFORTLESS LIGHTING CONTROL



“ CONVENIENCE AND SIMPLICITY!

Highly mountable High Bay 360° sensor provides Passive Infrared (PIR) occupancy detection over a 15-20 ft radial coverage pattern that overlaps the areas lit by a typical high bay fixture.

This line voltage sensor switches loads directly without the need for a power pack. The sensor can be mounts to a fixture with a 1/2 inch knockout for individual ON/OFF control of T5/T8 fluorescent lighting.



Key Features

- **Designed to work with LED/CFL technology**
- **Self-contained relay**
- **Replaces a standard light or fan single-pole switch**
- **Preset time delay**
- **Auto ON/OFF Operation mode***

*The sensor detects changes in the infrared energy given off by occupants as they move within the field-of-view. When occupancy is detected, a self-contained relay switches the connected lighting load on. The sensor is line powered, and switches line voltage. A standard occupancy time delay is also present that ensures lights turn off (assuming minimum on timer has elapsed) if no occupancy is detected. This timer, factory set at 15 seconds, keeps the lights on during brief periods of inactivity. It is knob programmable from 15 seconds to 30 minutes, and is reset every time occupancy is re-detected.

Application

- Warehouse
- Manufacturing plant
- Gymnasium
- Storage Rooms

Other information

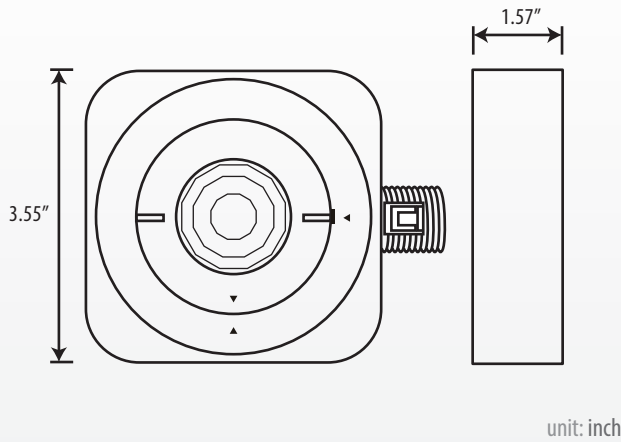
- Two (2) year limited warranty
- Easy retrofit
- cUL listed

Specifications

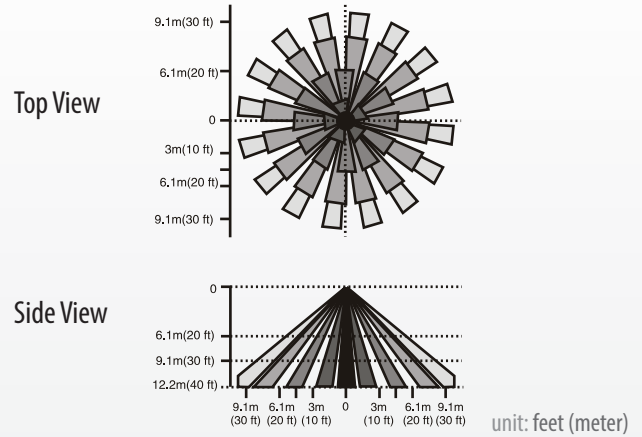
| | TL-2052 |
|--------------------------|-----------------------------|
| Technology | PIR |
| Occupancy/Vacancy | OCC |
| Coverage (Degrees Sq.Ft) | 360° 450 |
| Voltage | 120/277/347 VAC |
| Frequency | 50-60 Hz |
| Load Size | 0-800W/0-1200W/0-1500W |
| Hot Required | Y |
| Neutral Required | Y |
| Ground Required | - |
| LED Indicator | Y |
| ON/OFF Button | - |
| Adjustable Sensitivity | Y |
| Light Harvesting | - |
| Operation Mode | OCC |
| Single Pole/2Pole/3-Way | Single Pole |
| Operating Temp. | 0° to 55° C |
| Size | 3.55" H x 3.55" W x 1.57" D |
| Weight | 5 oz |
| Mounting Height | Up to 30 Ft |



Dimensions



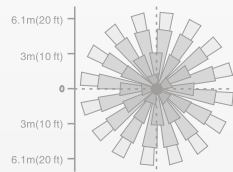
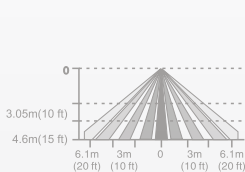
Detection Patterns



You might be interested in:

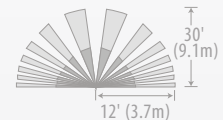
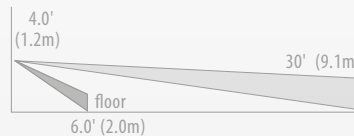
PIR CEILING MOUNT OCCUPANCY SENSORS

Standard Range 360° occupancy sensor which incorporates Passive Infrared (PIR) detection technology into an attractive line powered occupancy sensor that provides amazing sensitivity to small motions and excellent payback.



PIR WALL SWITCH OCCUPANCY SENSORS

Turolight's switch sensors are designed to replace a standard light or fan switch. This device can detect motion from a heat-emitting source (such as a person entering a room) within its field-of-views and automatically turn ON and OFF saving energy and reducing energy bills.



Call now for more information!

Turolight reserves the right to change specifications, modify designs and discontinue items without incurring obligation. Every effort is made to ensure that descriptions, specifications and other information in this data sheet are correct. No warranty is given in respect thereof and the company shall not be liable for any error therein.

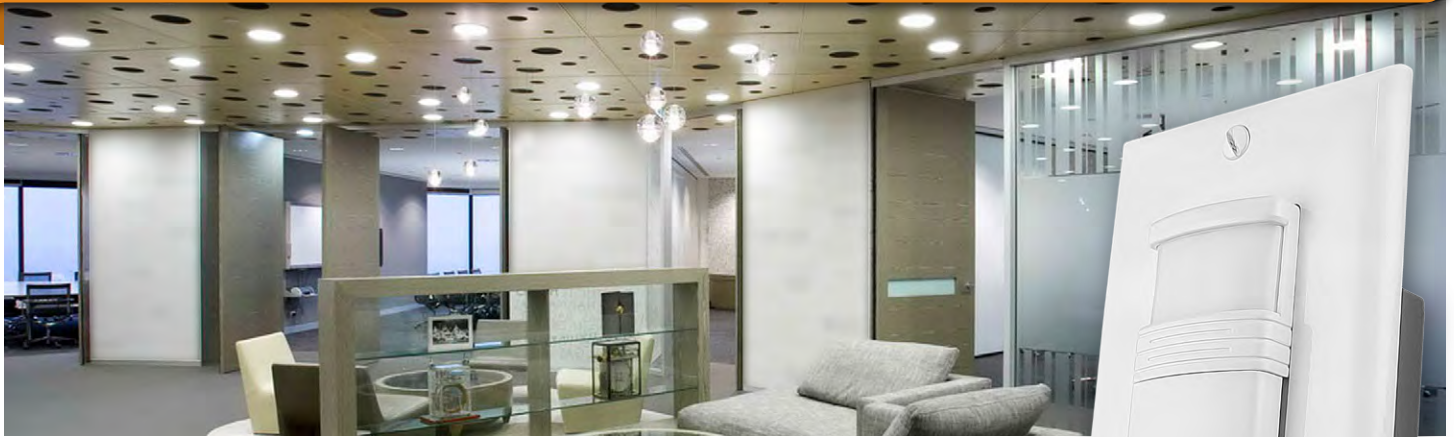
© Turolight, Inc.
 This material is copyright. Except as permitted, no part of this work may be reproduced by any process without prior written permission of and acknowledgement to Turolight, Inc.
 The identified trademarks and copyrights are the property of Turolight® unless otherwise noted.
 You can find this data sheet and many others online in PDF format at:
www.turolight.com

Distributed by:



**PIR WALL SWITCH
OCCUPANCY SENSORS**

EFFORTLESS LIGHTING CONTROL



“ A FEW MINUTE RETROFIT FOR A LIFE TIME OF SAVINGS!

Turolight’s switch sensors are designed to replace a standard light or fan switch. This device can detect motion from a heat-emitting source (such as a person entering a room) within its field-of-views and automatically turn ON and OFF saving energy and reducing energy bills. Using Vacancy & Occupancy Sensors can reduce energy consumption by 45+%.



Key Features

- **Designed to work with LED/CFL technology**
- **Self-contained relay**
- **Replaces a standard light or fan single-pole switch**
- Preset time delay
- OFF / OCC / VAC three operation modes*

*OCC: Auto ON / Auto OFF VAC: Auto OFF / Manual ON

Application

- Private Offices
- Conference Rooms
- Break Rooms
- Lounges / Hallways
- Stairways
- Rest Rooms
- Storage Rooms
- Classrooms

Other information

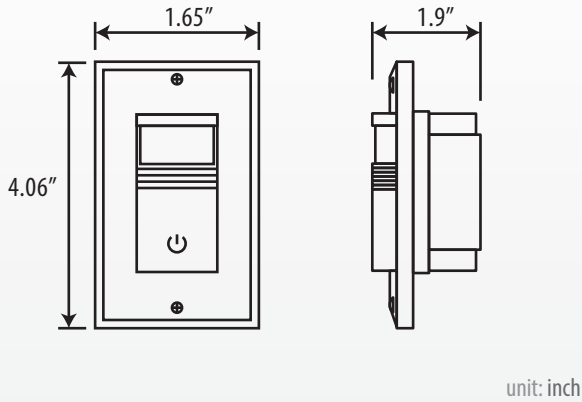
- Two (2) year limited warranty
- Easy retrofit
- cUL listed

Specifications

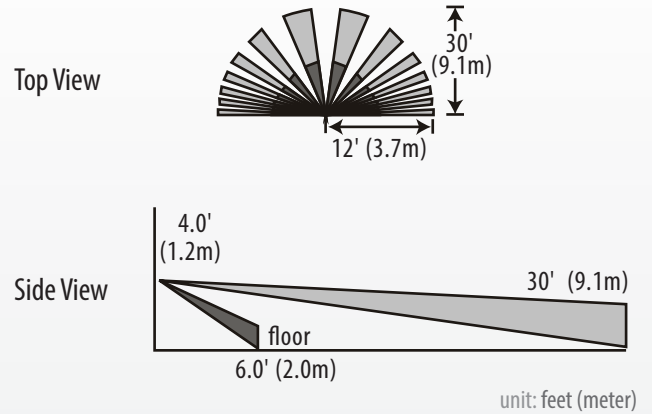
| | TL-6012 | TL-8012 |
|--------------------------|-----------------------------|-----------------|
| Technology | PIR | PIR |
| Occupancy/Vacancy | OCC/VAC | OCC/VAC |
| Coverage (Degrees Sq.Ft) | 180° 600 | 180° 600 |
| Voltage | 120/277 VAC | 120/277 VAC |
| Frequency | 50-60 Hz | 50-60 Hz |
| Load Size | 0-800W/0-1200W | 0-800W/0-1200W |
| Hot Required | Y | Y |
| Neutral Required | - | Y |
| Ground Required | Y | Y |
| LED Indicator | Y | Y |
| ON/OFF Button | Y | Y |
| Adjustable Sensitivity | Y | Y |
| Light Harvesting | Y | Y |
| Operation Mode | OCC & RESET/VAC | OCC & RESET/VAC |
| Single Pole/2Pole/3-Way | Single Pole | Single Pole |
| Operating Temp. | 0° to 55° C | 0° to 55° C |
| Size | 4.06" H x 1.68" W x 1.90" D | |
| Weight | 5 oz | 5 oz |
| Mounting Height | 30" to 48" | 30" to 48" |



Dimensions



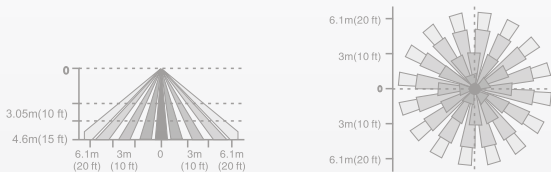
Detection Patterns



You might be interested in:

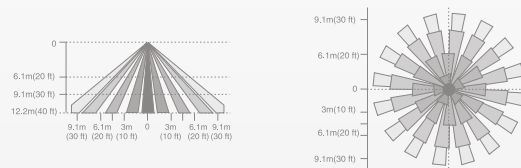
PIR CEILING MOUNT OCCUPANCY SENSORS

Standard Range 360° occupancy sensor which incorporates Passive Infrared (PIR) detection technology into an attractive line powered occupancy sensor that provides amazing sensitivity to small motions and excellent payback.



PIR HIGH BAY FIXTURE MOUNT OCCUPANCY SENSORS

Highly mountable High Bay 360° sensor provides Passive Infrared (PIR) occupancy detection over a 15-20 ft radial coverage pattern that overlaps the areas lit by a typical high bay fixture.



Call now for more information!

Turolight reserves the right to change specifications, modify designs and discontinue items without incurring obligation. Every effort is made to ensure that descriptions, specifications and other information in this data sheet are correct. No warranty is given in respect thereof and the company shall not be liable for any error therein.

© Turolight, Inc.®

This material is copyright. Except as permitted, no part of this work may be reproduced by any process without prior written permission of and acknowledgement to Turolight, Inc.

The identified trademarks and copyrights are the property of Turolight® unless otherwise noted.

You can find this data sheet and many others online in PDF format at:

www.turolight.com

Distributed by:



PIR CEILING MOUNT OCCUPANCY SENSORS

EFFORTLESS LIGHTING CONTROL



6 SENSORS MAKE DOLLARS & SENSE!

Our Standard Range 360° , 450 ft² coverage occupancy sensor which incorporates Passive Infrared (PIR) detection technology into an attractive line powered occupancy sensor that provides amazing sensitivity to small motions and excellent payback. This sensor is an economical solution for providing automatic lighting control where a wall switch replacement sensor is not applicable.



Key Features

- **Designed to work with LED/CFL technology**
- **Self-contained relay**
- **Preset time delay**
- **Auto ON/OFF Operation mode***

*The sensor detects changes in the infrared energy given off by occupants as they move within the field-of-view. When occupancy is detected, a self-contained relay switches the connected lighting load on. The sensor is line powered, and switches line voltage. A standard occupancy time delay is also present that ensures lights turn off (assuming minimum on timer has elapsed) if no occupancy is detected. This timer, factory set at 15 seconds, keeps the lights on during brief periods of inactivity. It is knob programmable from 15 seconds to 30 minutes, and is reset every time occupancy is re-detected.

Application

- Warehouse
- Boardroom
- Gymnasium
- Garage
- Office
- Manufacturing plant

Other information

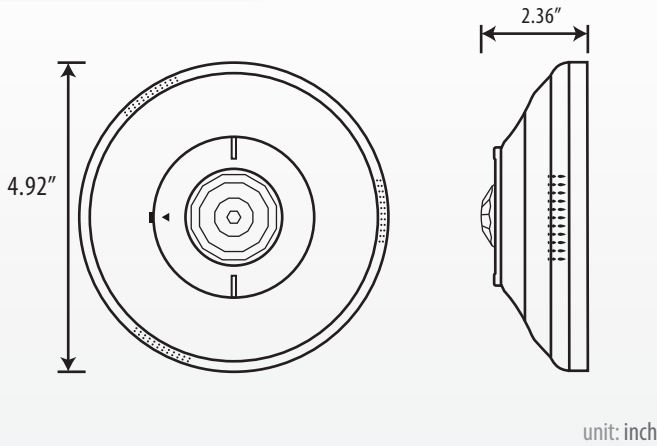
- Two (2) year limited warranty
- Easy retrofit
- cUL listed

Specifications

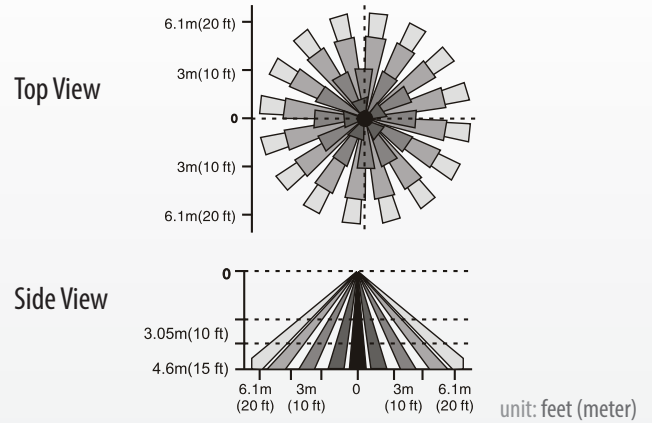
| | TL-1032 |
|--------------------------|-----------------------------|
| Technology | PIR |
| Occupancy/Vacancy | OCC |
| Coverage (Degrees Sq.Ft) | 360° 450 |
| Voltage | 120/277 VAC |
| Frequency | 50-60 Hz |
| Load Size | 0-800W/0-1200W |
| Hot Required | Y |
| Neutral Required | Y |
| Ground Required | - |
| LED Indicator | - |
| ON/OFF Button | - |
| Adjustable Sensitivity | Y |
| Light Harvesting | Y |
| Operation Mode | OCC |
| Single Pole/2Pole/3-Way | Single Pole |
| Operating Temp. | 0° to 55° C |
| Size | 2.36" H x 4.92" W x 4.92" D |
| Weight | 5.64 oz |
| Mounting Height | 15 Ft |



Dimensions



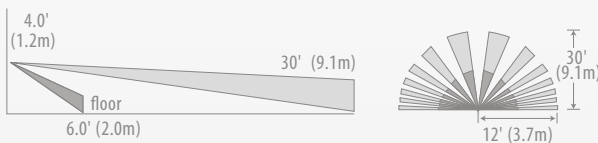
Detection Patterns



You might be interested in:

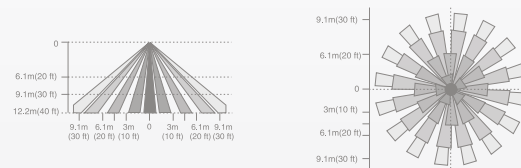
PIR WALL SWITCH OCCUPANCY SENSORS

Turolight's switch sensors are designed to replace a standard light or fan switch. This device can detect motion from a heat-emitting source (such as a person entering a room) within its field-of-views and automatically turn ON and OFF saving energy and reducing energy bills.



PIR HIGH BAY FIXTURE MOUNT OCCUPANCY SENSORS

Highly mountable High Bay 360° sensor provides Passive Infrared (PIR) occupancy detection over a 15-20 ft radial coverage pattern that overlaps the areas lit by a typical high bay fixture.



Call now for more information!

Turolight reserves the right to change specifications, modify designs and discontinue items without incurring obligation. Every effort is made to ensure that descriptions, specifications and other information in this data sheet are correct. No warranty is given in respect thereof and the company shall not be liable for any error therein.

© Turolight, Inc.®

This material is copyright. Except as permitted, no part of this work may be reproduced by any process without prior written permission of and acknowledgement to Turolight, Inc.

The identified trademarks and copyrights are the property of Turolight® unless otherwise noted.

You can find this data sheet and many others online in PDF format at:

www.turolight.com

Distributed by:



VIV-A19, MR16, PAR20/DTW



Features & Benefits

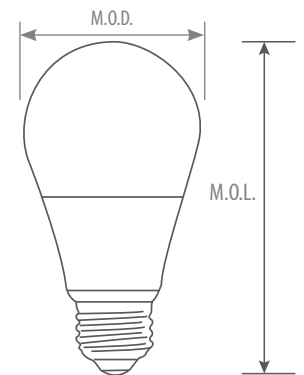
Wider color dimming range from 2200K up to 3000K
 3 DTW products fit into different fixtures, providing a full range of lighting performance from functional to relaxation

15,000 hour average life
 High CRI (80+)
 Damp location rated

Warranty & Cautions

2-year limited warranty from the date of purchase
 Operating temperature range between -20°C and +45°C
 cETL, UL/cUL listed, FCC compliant, RoHS compliant

Dimensional drawing



Product Specification

| Ordering Code | Model Number | Watts | Replacement Incandescent | Base | Voltage (V) | Hour Rating | Initial Lumens(lm) | CCT(K) | CRI | Damp Location | M.O.D. (inch) | M.O.L. (inch) | Case QTY. |
|---------------|------------------------------|-------|--------------------------|------|-------------|-------------|--------------------|-----------|-----|---------------|---------------|---------------|-----------|
| 1752000 | VIV-A19/DTW/8W/30/22 | 8 | 60W | E26 | 120 | 15,000 | 800 | 2200-3000 | 80 | Y | 2.36 | 4.40 | 40 |
| 1752001 | VIV-MR16/DTW/5.5W/30/22/GU10 | 5.5 | 50W | GU10 | 120 | 15,000 | 450 | 2200-3000 | 80 | Y | 1.97 | 2.17 | 50 |
| 1752002 | VIV-PAR20/DTW/6.5W/30/22 | 6.5 | 50W | E26 | 120 | 15,000 | 500 | 2200-3000 | 80 | Y | 2.47 | 3.46 | 50 |

Ordering Information Example: VIV-A19/DTW/8W/30/22

| LED CLASS | LAMP TYPE | WATTAGE | SPECIAL | CCT (K) | BASE |
|-------------|------------------|----------------|-------------------|-----------------------|---------------------|
| VIV (Vivid) | A19, MR16, PAR20 | 5.5W, 6.5W, 8W | DTW (dim to warm) | 30/22 (3000K - 2200K) | Blank (E26) Gu10 |



LED LAMP

VIVID Series



A21



A21 3WAY



PS25 E26



PS30 EX39

VIV-PS25, VIV-PS30, VIV-A21



Features & Benefits

Energy Star listed, DLC listed for PS30

High lumen output

Damp location rated

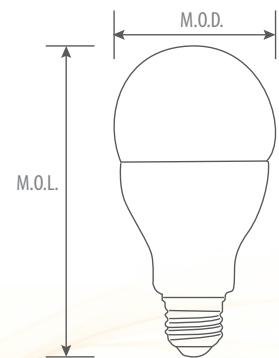
* For applicable models, see product specification below

Beam angle 230°

Enclosed fixture application, Dimmable*

High CRI (90+)*

Dimensional drawing



Warranty & Cautions

15,000hrs: 2-year; 25,000hrs: 3-year; 50,000hrs: 5-year limited warranty

Operating temperature range between -40°C and +40°C

Product Specification

| Ordering Code | Energy Star / DLC | Model Number | Watts | Base | Voltage (V) | Hour Rating | Beam Angle | Initial Lumens(lm) | CCT(K) | CRI | Enclosed Fixture Application | Damp Location | Dimmable | M.O.D. (inch) | M.O.L. (inch) | Case QTY. |
|---------------|-------------------|-----------------------|---------|------|-------------|-------------|------------|--------------------|--------|-----|------------------------------|---------------|----------|---------------|---------------|-----------|
| 1754406 | ES | VIV-PS25/27W/40/E26 | 27 | E26 | 120-277 | 25,000 | 230° | 3200 | 4000 | 80 | Y | Y | N | 3.23 | 6.73 | 40 |
| 1755404 | DLC | VIV-PS30/36W/40/EX39 | 36 | EX39 | 120-277 | 50,000 | 230° | 4500 | 4000 | 80 | Y | Y | N | 3.74 | 7.28 | 40 |
| 1764210 | ES | VIV-A21/23W/30/D | 23 | E26 | 120 | 15,000 | 230° | 2550 | 3000 | 80 | Y | Y | Y | 2.63 | 4.8 | 40 |
| 1753200 | ES | VIV-A21/190/18W/30/D | 18 | E26 | 120 | 25,000 | 230° | 2000 | 3000 | 90 | Y | Y | Y | 2.63 | 4.8 | 40 |
| 1763232 | ES | VIV-A21/3WAY/15W/27/D | 15/10/5 | E26 | 120 | 15,000 | 230° | 1600/1100/600 | 2700 | 80 | Y | Y | Y | 2.63 | 4.8 | 40 |



LED LAMP

VIVID Series



5.5W

VIV-A15



Features & Benefits

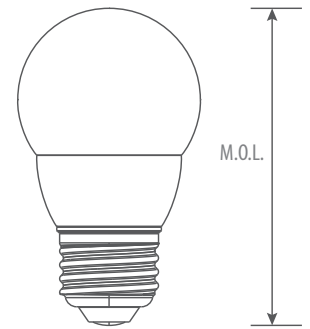
5.5W replaces 40W incandescent
6W replaces 50W incandescent

High CRI (80+), dimmable

Enclosed fixture application for 5.5W

Damp location approved

Dimensional drawing



Warranty & Cautions

3-year limited warranty

Operating temperature range between -20°C and +40°C

UL/cUL listed, FCC compliant, RoHS compliant

Product Specification

| Ordering Code | Energy Star | Model Number | Watts | Replacement Incandescent | Base | Voltage (V) | Hour Rating | Beam Angle | Initial Lumens(lm) | CCT(K) | CRI | Enclosed Fixture Application | Damp LOC. | M.O.L. (inch) | Case QTY. |
|---------------|-------------|---------------------|-------|--------------------------|------|-------------|-------------|------------|--------------------|--------|-----|------------------------------|-----------|---------------|-----------|
| 1752105 | Y | VIV-A15/5.5W/27/D/F | 5.5 | 40W | E26 | 120 | 25,000 | 220° | 450 | 2700 | 80 | Y | Y | 3.3 | 100 |
| 1752219 | Y | VIV-A15/5.5W/30/D/F | 5.5 | 40W | E26 | 120 | 25,000 | 220° | 450 | 3000 | 80 | Y | Y | 3.3 | 100 |
| 1752210 | - | VIV-A15/6W/30/D/F | 6 | 50W | E26 | 120 | 15,000 | 180° | 500 | 3000 | 80 | - | Y | 3.3 | 50 |
| 1752405 | - | VIV-A15/6W/40/D/F | 6 | 50W | E26 | 120 | 15,000 | 180° | 500 | 4000 | 80 | - | Y | 3.3 | 50 |
| 1762734 | - | VIV-A15/6W/27/D/F | 6 | 50W | E26 | 120 | 15,000 | 180° | 500 | 2700 | 80 | - | Y | 3.3 | 50 |



6W

Ordering Information Example: VIV-A15/6W/27/D/F

| LED CLASS | LAMP TYPE | WATTAGE | CCT(K) | DIMMABLE | FROST |
|-------------|-----------|------------|--|--------------|-----------|
| VIV (Vivid) | A15 | 5.5W 6W | 27 (2700K) 30 (3000K) 40 (4000K) | D (dimmable) | F (Frost) |



LED LAMP

VIVID Series

VIV-A19/X18



Features & Benefits

Energy Star listed

15W replaces 100W incandescent
 11W replaces 75W incandescent
 9W replaces 60W incandescent
 6W replaces 40W incandescent

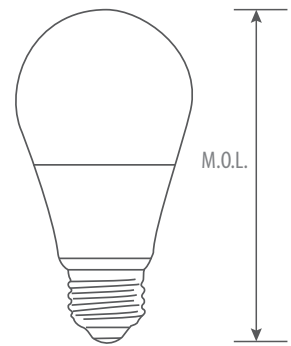
High CRI (80+), dimmable

25,000 hour average life

Enclosed fixture application

Damp location approved

Dimensional drawing



Warranty & Cautions

3-year limited warranty

Operating temperature range between -40°C and +45°C

UL/cUL listed, FCC compliant, RoHS compliant

Product Specification

| Ordering Code | ES | Model Number | Watts | Replacement Incandescent | Base | Voltage (V) | Hour Rating | Beam Angle | Initial Lumens(lm) | CCT(K) | CRI | Enclosed Fixture Application | Damp LOC. | M.O.L. (inch) | Case QTY. |
|---------------|----|----------------------|-------|--------------------------|------|-------------|-------------|------------|--------------------|--------|-----|------------------------------|-----------|---------------|-----------|
| 1762021 | Y | VIV-A19/X18/15W/27/D | 15 | 100W | E26 | 120 | 25,000 | 220° | 1600 | 2700 | 80 | Y | Y | 4.9 | 40 |
| 1762797 | Y | VIV-A19/X18/15W/30/D | 15 | 100W | E26 | 120 | 25,000 | 220° | 1600 | 3000 | 80 | Y | Y | 4.9 | 40 |
| 1762879 | Y | VIV-A19/X18/15W/40/D | 15 | 100W | E26 | 120 | 25,000 | 220° | 1600 | 4000 | 80 | Y | Y | 4.9 | 40 |
| 1762549 | Y | VIV-A19/X18/15W/50/D | 15 | 100W | E26 | 120 | 25,000 | 220° | 1600 | 5000 | 80 | Y | Y | 4.9 | 40 |
| 1762798 | Y | VIV-A19/X18/11W/30/D | 11 | 75W | E26 | 120 | 25,000 | 220° | 1100 | 3000 | 80 | Y | Y | 4.4 | 40 |
| 1762880 | Y | VIV-A19/X18/11W/40/D | 11 | 75W | E26 | 120 | 25,000 | 220° | 1100 | 4000 | 80 | Y | Y | 4.4 | 40 |
| 1762019 | Y | VIV-A19/X18/9W/27/D | 9 | 60W | E26 | 120 | 25,000 | 220° | 800 | 2700 | 80 | Y | Y | 4.4 | 40 |
| 1762799 | Y | VIV-A19/X18/9W/30/D | 9 | 60W | E26 | 120 | 25,000 | 220° | 800 | 3000 | 80 | Y | Y | 4.4 | 40 |
| 1762881 | Y | VIV-A19/X18/9W/40/D | 9 | 60W | E26 | 120 | 25,000 | 220° | 800 | 4000 | 80 | Y | Y | 4.4 | 40 |
| 1762550 | N | VIV-A19/X18/9W/50/D | 9 | 60W | E26 | 120 | 25,000 | 220° | 800 | 5000 | 80 | Y | Y | 4.4 | 40 |
| 1762020 | Y | VIV-A19/X18/6W/27/D | 6 | 40W | E26 | 120 | 25,000 | 220° | 450 | 2700 | 80 | Y | Y | 4.2 | 40 |
| 1762700 | Y | VIV-A19/X18/6W/30/D | 6 | 40W | E26 | 120 | 25,000 | 220° | 450 | 3000 | 80 | Y | Y | 4.2 | 40 |
| 1762882 | Y | VIV-A19/X18/6W/40/D | 6 | 40W | E26 | 120 | 25,000 | 220° | 450 | 4000 | 80 | Y | Y | 4.2 | 40 |

Ordering Information Example: VIV-A19/X18/15W/27/D

| LED CLASS | LAMP TYPE | SERIES | WATTAGE | CCT(K) | DIMMABLE |
|-------------|-----------|--------|---------|--|--------------------------------------|
| VIV (Vivid) | A19 | X18 | 15W | 50 (5000K) 40 (4000K) 30 (3000K) 27 (2700K) | D (dimmable) Blank (non dimmable) |



LED LAMP

PURE VISION

PV-A19

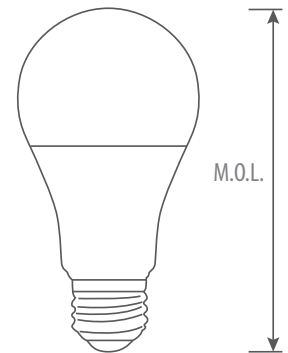


Features & Benefits

Energy Star listed*, Dimmable*
 15,000 hour average life
 High CRI (80+)

Enclosed fixture application*
 Damp location approved

Dimensional drawing



Warranty & Cautions

2-year limited warranty
 Operating temperature range between -40°C and +45°C
 UL/cUL listed, FCC compliant, RoHS compliant

Ordering Information Example: PV-A19/X2/12W/27

| LED CLASS | LAMP TYPE | WATTAGE | CCT(K) |
|---------------------|---|--------------------------|--|
| PV (Pure Vision) | A19 A19/S A19/I8 A19/I8S A19/X2 | 6W, 8.5W, 9W 10W, 12W | 50 (5000K), 40 (4000K) 35 (3500K), 30 (3000K) 27 (2700K) |

Product Specification

| Ordering Code | ES | Model Number | Watts | Replacement Incandescent | Base | Voltage (V) | Hour Rating | Beam Angle | Initial Lumens(lm) | CCT(K) | CRI | Enclosed Fixture Application | Damp LOC. | M.O.L. (inch) | Case QTY. |
|-----------------------|----|--------------------|-------|--------------------------|------|-------------|-------------|------------|--------------------|--------|-----|------------------------------|-----------|---------------|-----------|
| PV-A19 (Dimmable) | | | | | | | | | | | | | | | |
| 1732218 | Y | PV-A19/9W/30/D | 9 | 60W | E26 | 120 | 15,000 | 220° | 800 | 3000 | 80 | Y | Y | 4.3 | 40 |
| 1732417 | Y | PV-A19/9W/40/D | 9 | 60W | E26 | 120 | 15,000 | 220° | 800 | 4000 | 80 | Y | Y | 4.3 | 40 |
| 1732220 | Y | PV-A19/S/9W/30/D | 9 | 60W | E26 | 120 | 15,000 | 220° | 800 | 3000 | 80 | Y | Y | 4.3 | 40 |
| 1732419 | Y | PV-A19/S/9W/40/D | 9 | 60W | E26 | 120 | 15,000 | 220° | 800 | 4000 | 80 | Y | Y | 4.3 | 40 |
| PV-A19 (Non dimmable) | | | | | | | | | | | | | | | |
| 1732114 | N | PV-A19/I8/8.5W/27 | 8.5 | 60W | E26 | 120 | 15,000 | 220° | 800 | 2700 | 80 | Y | Y | 4.3 | 40 |
| 1732219 | N | PV-A19/I8/8.5W/30 | 8.5 | 60W | E26 | 120 | 15,000 | 220° | 800 | 3000 | 80 | Y | Y | 4.3 | 40 |
| 1732418 | N | PV-A19/I8/8.5W/40 | 8.5 | 60W | E26 | 120 | 15,000 | 220° | 800 | 4000 | 80 | Y | Y | 4.3 | 40 |
| 1732517 | N | PV-A19/I8/8.5W/50 | 8.5 | 60W | E26 | 120 | 15,000 | 220° | 800 | 5000 | 80 | Y | Y | 4.3 | 40 |
| 1732221 | N | PV-A19/I8S/8.5W/30 | 8.5 | 60W | E26 | 120 | 15,000 | 220° | 800 | 3000 | 80 | Y | Y | 4.3 | 40 |
| 1732420 | N | PV-A19/I8S/8.5W/40 | 8.5 | 60W | E26 | 120 | 15,000 | 220° | 800 | 4000 | 80 | Y | Y | 4.3 | 40 |
| 1732111 | Y | PV-A19/X2/12W/27 | 12 | 75W | E26 | 120 | 15,000 | 220° | 1100 | 2700 | 80 | Y | Y | 4.3 | 40 |
| 1732212 | Y | PV-A19/X2/12W/30 | 12 | 75W | E26 | 120 | 15,000 | 220° | 1100 | 3000 | 80 | Y | Y | 4.3 | 40 |
| 1732412 | Y | PV-A19/X2/12W/40 | 12 | 75W | E26 | 120 | 15,000 | 220° | 1100 | 4000 | 80 | Y | Y | 4.3 | 40 |
| 1732512 | Y | PV-A19/X2/12W/50 | 12 | 75W | E26 | 120 | 15,000 | 220° | 1100 | 5000 | 80 | Y | Y | 4.3 | 40 |
| 1732110 | Y | PV-A19/10W/27 | 10 | 60W | E26 | 120 | 15,000 | 220° | 800 | 2700 | 80 | Y | Y | 4.3 | 40 |
| 1732210 | Y | PV-A19/10W/30 | 10 | 60W | E26 | 120 | 15,000 | 220° | 800 | 3000 | 80 | Y | Y | 4.3 | 40 |
| 1732305 | Y | PV-A19/10W/35 | 10 | 60W | E26 | 120 | 15,000 | 220° | 800 | 3500 | 80 | Y | Y | 4.3 | 40 |
| 1732410 | Y | PV-A19/10W/40 | 10 | 60W | E26 | 120 | 15,000 | 220° | 800 | 4000 | 80 | Y | Y | 4.3 | 40 |
| 1732507 | Y | PV-A19/10W/50 | 10 | 60W | E26 | 120 | 15,000 | 220° | 800 | 5000 | 80 | Y | Y | 4.3 | 40 |
| 1732213 | Y | PV-A19/6W/30 | 6 | 40W | E26 | 120 | 15,000 | 220° | 450 | 5000 | 80 | Y | Y | 4.3 | 40 |



LED LAMP

PURE VISION

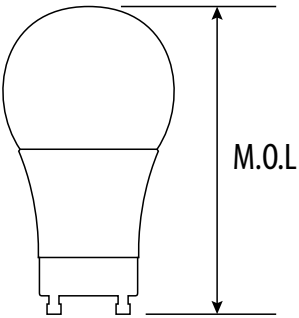


PV-A19 (Base GU24)

Features & Benefits

| | |
|------------------------------|------------------------------|
| Energy Star listed, Dimmable | Enclosed fixture application |
| 15,000 hour average life | Damp location approved |
| High CRI (80+) | Beam angle 230° |

Dimensional drawing



Warranty & Cautions

| |
|---|
| 2-year limited warranty |
| Operating temperature range between -40°C and +40°C |
| UL/cUL listed, FCC compliant, RoHS compliant |

Product Specification

| ES | Model Number | Watts | Replacement Incandescent | Base | Voltage (V) | Hour Rating | Beam Angle | Initial Lumens(lm) | CCT(K) | CRI | Enclosed Fixture Application | Damp LOC. | M.O.L. (inch) | Case QTY. |
|----|---------------------|-------|--------------------------|------|-------------|-------------|------------|--------------------|--------|-----|------------------------------|-----------|---------------|-----------|
| Y | PV-A19/9.5W/27/D/GU | 9.5 | 60W | GU24 | 120 | 15,000 | 230° | 800 | 2700 | 80 | Y | Y | 4.17 | 40 |
| Y | PV-A19/9.5W/30/D/GU | 9.5 | 60W | GU24 | 120 | 15,000 | 230° | 800 | 3000 | 80 | Y | Y | 4.17 | 40 |
| Y | PV-A19/9.5W/40/D/GU | 9.5 | 60W | GU24 | 120 | 15,000 | 230° | 800 | 4000 | 80 | Y | Y | 4.17 | 40 |
| Y | PV-A19/9.5W/50/D/GU | 9.5 | 60W | GU24 | 120 | 15,000 | 230° | 800 | 5000 | 80 | Y | Y | 4.17 | 40 |

Ordering Information Example: PV-A19/9.5W/27/D/GU

| LED CLASS | LAMP TYPE | WATTAGE | CCT(K) | Dimmable | Base |
|-----------|-----------|---------|------------|-------------|-----------|
| PV | A19 | 9.5W | 27 (2700K) | D(Dimmable) | GU (GU24) |

(Pure Vision)



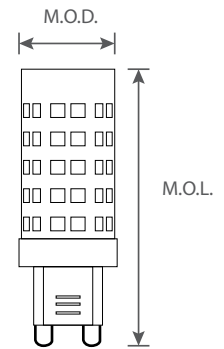
VIV-G9, VIV-G4, VIV-MR11



Features & Benefits

| | |
|--|--|
| High lumen design | 25,000 hour average life* |
| High CRI ≥80 | Enclosed luminaires application* |
| cETL listed, FCC compliant, RoHS compliant | Damp location approved* |
| Dimmable, except MR11 | * For applicable models, see product specification below |

Dimensional drawing



Warranty & Cautions

| |
|---|
| 15,000hrs: 2-year; 25,000hrs: 3-year limited warranty |
| Operating temperature range between -20°C and +40°C |

Product Specification

| Ordering Code | Model Number | Watts | Replacement Halogen | Base | Voltage (V) | Hour Rating | Beam Angle | Initial Lumens(lm) | CCT(K) | CRI | Enclosed Fixture | Damp Location | M.O.D. (inch) | M.O.L. (inch) | Case QTY. |
|---------------|------------------------|-------|---------------------|------|-------------|-------------|------------|--------------------|--------|-----|------------------|---------------|---------------|---------------|-----------|
| 1751100 | VIV-G9/4W/27/D | 4 | 45W | G9 | 120 | 25,000 | 330° | 450 | 2700 | 80 | Y | Y | 0.77 | 2.16 | 100 |
| 1751200 | VIV-G9/4W/30/D | 4 | 45W | G9 | 120 | 25,000 | 330° | 450 | 3000 | 80 | Y | Y | 0.77 | 2.16 | 100 |
| 1751400 | VIV-G9/4W/40/D | 4 | 45W | G9 | 120 | 25,000 | 330° | 450 | 4000 | 80 | Y | Y | 0.77 | 2.16 | 100 |
| 1751201 | VIV-G4/2.5W/30/D | 2.5 | 30W | G4 | 12 | 15,000 | 360° | 300 | 3000 | 80 | N | N | 0.52 | 1.7 | 100 |
| 1751403 | VIV-G4/2.5W/40/D | 2.5 | 30W | G4 | 12 | 15,000 | 360° | 300 | 4000 | 80 | N | N | 0.52 | 1.7 | 100 |
| 1751203 | VASO-MR11/3W/30/FL/GU4 | 3 | 20W | GU4 | 12 | 25,000 | 30° | 200 | 3000 | 80 | Y | Y | 1.38 | 1.5 | 100 |

Ordering Information Example: VIV-G9/4W/27/D

| LED CLASS | LAMP TYPE | WATTAGE | CCT (K) | DIMMABLE |
|-------------|-----------|-----------|------------|--------------|
| VIV (Vivid) | G9 | 4W (G9) | 27 (2700K) | D (dimmable) |
| VASO | G4 | 2.5W (G4) | 30 (3000K) | |
| | MR11 | 3W (MR11) | 40 (4000K) | |



LED LAMP

HD Series

HD-MR16



Features & Benefits

Energy Star listed, 25,000 hour average life
Suitable for enclosed fixtures

Dimmable, High CRI (90+)*
Damp location rated

* For applicable models, see product specification below

Warranty & Cautions

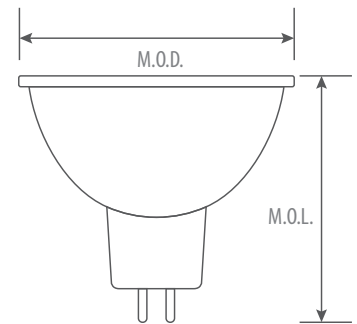
3-year limited warranty from the date of purchase

Operating temperature between -20°C and +45°C

Ordering Information Example: HD-MR16/9W/30/SP15/GU5.3/D/HL

| LED CLASS | LAMP TYPE | WATTAGE | CCT(K) | BEAM ANGLE | BASE | DIMMABLE | OTHER |
|-----------|-----------|------------|--------------------------|--|-------|--------------|---------------------------------|
| HD | MR16 | 9W 6.5W | 30 (3000K) 40 (4000K) | SP15 (15°) FL25 (25°) FL35 (35°) | GU5.3 | D (dimmable) | HL (High Lumen) I90 (CRI 90) |

Dimensional drawing



Product Specification

| Ordering Code | ES | Model Number | Watts | Replacement Incandescent | Base | Voltage (V) | Hour Rating | Beam Angle | Initial Lumens(lm) | CCT(K) | CRI | C.B.C.P | Enclosed Fixture Application | Damp LOC. | M.O.D. (inch) | M.O.L. (inch) | Case QTY. |
|---------------|----|--------------------------------|-------|--------------------------|-------|-------------|-------------|------------|--------------------|--------|-----|---------|------------------------------|-----------|---------------|---------------|-----------|
| HD-MR16 | | | | | | | | | | | | | | | | | |
| 1782225 | Y | HD-MR16/9W/30/SP15/GU5.3/D/HL | 9 | 60W | GU5.3 | 12 | 25,000 | 15° | 685 | 3000 | 80 | 6800 | Y | Y | 1.97 | 1.87 | 50 |
| 1782226 | Y | HD-MR16/9W/30/FL25/GU5.3/D/HL | 9 | 60W | GU5.3 | 12 | 25,000 | 25° | 685 | 3000 | 80 | 3200 | Y | Y | 1.97 | 1.87 | 50 |
| 1782227 | Y | HD-MR16/9W/30/FL35/GU5.3/D/HL | 9 | 60W | GU5.3 | 12 | 25,000 | 35° | 685 | 3000 | 80 | 1850 | Y | Y | 1.97 | 1.87 | 50 |
| 1782228 | Y | HD-MR16/9W/30/FL35/GU5.3/D/I90 | 9 | 40W | GU5.3 | 12 | 25,000 | 35° | 565 | 3000 | 90 | 1463 | Y | Y | 1.97 | 1.87 | 50 |
| 1762810 | Y | HD-MR16/6.5W/40/FL35/JDR/D | 6.5 | 40W | GU5.3 | 12 | 25,000 | 35° | 500 | 4000 | 80 | 1346 | Y | Y | 1.97 | 2.3 | 50 |



LED LAMP

VIVID Series



VIV-MR16



Features & Benefits

| | |
|---------------------------------------|--------------------------|
| Energy Star listed | 25,000 hour average life |
| 7W/6.5W replaces 50W/40W incandescent | Damp location approved |
| High CRI (80+), dimmable | |

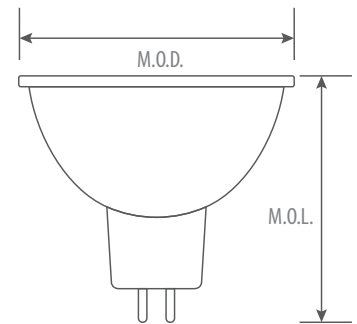
Warranty & Cautions

| | |
|-------------------------|---|
| 3-year limited warranty | Operating temperature range between -20°C and +45°C |
|-------------------------|---|

Ordering Information Example: VIV-MR16/6.5W/27/WFL35/JDR/S/D

| LED CLASS | LAMP TYPE | WATTAGE | CCT(K) | BEAM ANGLE | BASE | NECK LENGTH | DIMMABLE |
|-------------|--------------|-------------|--|--|----------------------------|-----------------------|--------------------------------------|
| VIV (Vivid) | MR16 MR16/T3 | 7W 6W, 6.5W | 50 (5000K) 40 (4000K) 30 (3000K) 27 (2700K) | WFL40 (40°) WFL35 (35°) FL25 (25°) | JDR (E26) GU10 GU5.3 | L (Long) S (Short) | D (dimmable) Blank (non dimmable) |

Dimensional drawing



Product Specification

| Ordering Code | ES | Model Number | Watts | Replacement Incandescent | Base | Voltage (V) | Hour Rating | Beam Angle | Initial Lumens(lm) | CCT(K) | CRI | C.B.C.P | Enclosed Fixture Application | Damp LOC. | M.O.D. (inch) | M.O.L. (inch) | Case QTY. |
|---------------|----|---------------------------------|-------|--------------------------|-------|-------------|-------------|------------|--------------------|--------|-----|---------|------------------------------|-----------|---------------|---------------|-----------|
| 1752202 | Y | VIV-MR16/T3/7W/30/WFL40/GU5.3/D | 7 | 50W | GU5.3 | 12 | 25,000 | 40° | 500 | 3000 | 80 | 1251 | - | Y | 1.97 | 1.8 | 100 |
| 1752402 | N | VIV-MR16/T3/7W/40/WFL40/GU5.3/D | 7 | 50W | GU5.3 | 12 | 25,000 | 40° | 500 | 4000 | 80 | 1251 | - | Y | 1.97 | 1.8 | 100 |
| 1752203 | Y | VIV-MR16/T3/6W/30/WFL40/GU10/D | 6 | 40W | GU10 | 120 | 25,000 | 40° | 455 | 3000 | 83 | 1442 | - | Y | 1.89 | 2.05 | 50 |
| 1762013 | N | VIV-MR16/6.5W/27/FL25/GU10/D | 6.5 | 40W | GU10 | 120 | 25,000 | 25° | 480 | 2700 | 80 | 1442 | - | Y | 1.97 | 2.17 | 50 |
| 1762787 | Y | VIV-MR16/6.5W/30/FL25/GU10/D | 6.5 | 40W | GU10 | 120 | 25,000 | 25° | 480 | 3000 | 80 | 1442 | - | Y | 1.97 | 2.17 | 50 |
| 1762870 | N | VIV-MR16/6.5W/40/FL25/GU10/D | 6.5 | 40W | GU10 | 120 | 25,000 | 25° | 480 | 4000 | 80 | 1495 | - | Y | 1.97 | 2.17 | 50 |
| 1762014 | N | VIV-MR16/6.5W/27/WFL35/GU10/D | 6.5 | 40W | GU10 | 120 | 25,000 | 35° | 480 | 2700 | 80 | 1080 | - | Y | 1.97 | 2.17 | 50 |
| 1762788 | Y | VIV-MR16/6.5W/30/WFL35/GU10/D | 6.5 | 40W | GU10 | 120 | 25,000 | 35° | 480 | 3000 | 80 | 1080 | - | Y | 1.97 | 2.17 | 50 |
| 1762871 | Y | VIV-MR16/6.5W/40/WFL35/GU10/D | 6.5 | 40W | GU10 | 120 | 25,000 | 35° | 480 | 4000 | 80 | 1168 | - | Y | 1.97 | 2.17 | 50 |
| 1762009 | N | VIV-MR16/6.5W/27/FL25/JDR/S/D | 6.5 | 40W | E26 | 120 | 25,000 | 25° | 500 | 2700 | 80 | 1495 | - | Y | 1.97 | 2.28 | 50 |
| 1762789 | N | VIV-MR16/6.5W/30/FL25/JDR/S/D | 6.5 | 40W | E26 | 120 | 25,000 | 25° | 500 | 3000 | 80 | 1495 | - | Y | 1.97 | 2.28 | 50 |
| 1762872 | N | VIV-MR16/6.5W/40/FL25/JDR/S/D | 6.5 | 40W | E26 | 120 | 25,000 | 25° | 500 | 4000 | 80 | 1495 | - | Y | 1.97 | 2.28 | 50 |
| 1762010 | N | VIV-MR16/6.5W/27/WFL35/JDR/S/D | 6.5 | 40W | E26 | 120 | 25,000 | 35° | 500 | 2700 | 80 | 1080 | - | Y | 1.97 | 2.28 | 50 |
| 1762790 | N | VIV-MR16/6.5W/30/WFL35/JDR/S/D | 6.5 | 40W | E26 | 120 | 25,000 | 35° | 500 | 3000 | 80 | 1080 | - | Y | 1.97 | 2.28 | 50 |
| 1762873 | N | VIV-MR16/6.5W/40/WFL35/JDR/S/D | 6.5 | 40W | E26 | 120 | 25,000 | 35° | 500 | 4000 | 80 | 1080 | - | Y | 1.97 | 2.28 | 50 |
| 1762544 | N | VIV-MR16/6.5W/50/WFL35/JDR/S/D | 6.5 | 40W | E26 | 120 | 25,000 | 35° | 500 | 5000 | 80 | 1080 | - | Y | 1.97 | 2.28 | 50 |
| 1762011 | N | VIV-MR16/6.5W/27/FL25/JDR/L/D | 6.5 | 40W | E26 | 120 | 25,000 | 25° | 480 | 2700 | 80 | 1442 | - | Y | 1.97 | 2.84 | 50 |
| 1762791 | Y | VIV-MR16/6.5W/30/FL25/JDR/L/D | 6.5 | 40W | E26 | 120 | 25,000 | 25° | 480 | 3000 | 80 | 1442 | - | Y | 1.97 | 2.84 | 50 |
| 1762874 | N | VIV-MR16/6.5W/40/FL25/JDR/L/D | 6.5 | 40W | E26 | 120 | 25,000 | 25° | 480 | 4000 | 80 | 1495 | - | Y | 1.97 | 2.84 | 50 |
| 1762012 | Y | VIV-MR16/6.5W/27/WFL35/JDR/L/D | 6.5 | 40W | E26 | 120 | 25,000 | 35° | 480 | 2700 | 80 | 1080 | - | Y | 1.97 | 2.84 | 50 |
| 1762792 | Y | VIV-MR16/6.5W/30/WFL35/JDR/L/D | 6.5 | 40W | E26 | 120 | 25,000 | 35° | 480 | 3000 | 80 | 1080 | - | Y | 1.97 | 2.84 | 50 |
| 1762875 | Y | VIV-MR16/6.5W/40/WFL35/JDR/L/D | 6.5 | 40W | E26 | 120 | 25,000 | 35° | 480 | 4000 | 80 | 1168 | - | Y | 1.97 | 2.84 | 50 |



LED LAMP

VASO Series



VASO-MR16

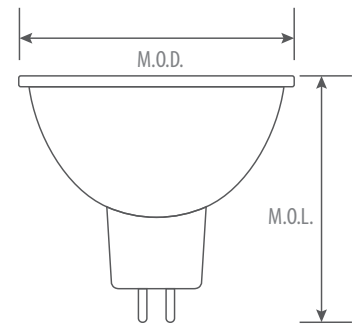


Features & Benefits

| | |
|--------------------------|-------------------------------|
| Energy Star listed* | 25,000 hour average life* |
| Glass Housing | Enclosed fixture application* |
| High CRI (80+), dimmable | Damp location approved |

* For applicable models, see product specification below

Dimensional drawing



Warranty & Cautions

| |
|---|
| 15,000hrs: 2-year; 25,000hrs: 3-year limited warranty |
| Operating temperature range between -40°C and +40°C (GU10), -20°C and +45°C (GU5.3) |
| cETL listed for GU5.3, cUL listed for GU10 |

Product Specification

| Ordering Code | ES | Model Number | Watts | Replacement Incandescent | Base | Voltage (V) | Hour Rating | Beam Angle | Initial Lumens(lm) | CCT(K) | CRI | C.B.C.P | Enclosed Fixture Application | Damp LOC. | M.O.D. (inch) | M.O.L. (inch) | Case QTY. |
|---------------|----|------------------------------|-------|--------------------------|-------|-------------|-------------|------------|--------------------|--------|-----|---------|------------------------------|-----------|---------------|---------------|-----------|
| 1751202 | - | VASO-MR16/5W/30/WFL40/GU10/D | 5 | 50W | GU10 | 120 | 15,000 | 40° | 500 | 3000 | 80 | 680 | - | Y | 1.97 | 2.11 | 100 |
| 1751402 | - | VASO-MR16/5W/40/WFL40/GU10/D | 5 | 50W | GU10 | 120 | 15,000 | 40° | 500 | 4000 | 80 | 680 | - | Y | 1.97 | 2.11 | 100 |
| 1762038 | Y | VASO-MR16/7W/30/WFL40/GU10/D | 7 | 50W | GU10 | 120 | 25,000 | 40° | 520 | 3000 | 80 | 895 | Y | Y | 1.97 | 2.20 | 100 |
| 1762894 | Y | VASO-MR16/7W/40/WFL40/GU10/D | 7 | 50W | GU10 | 120 | 25,000 | 40° | 520 | 4000 | 80 | 895 | Y | Y | 1.97 | 2.20 | 100 |
| 1762198 | Y | VASO-MR16/6W/27/FL35/GU5.3/D | 6 | 40W | GU5.3 | 12 | 25,000 | 35° | 450 | 2700 | 80 | 877 | Y | Y | 1.97 | 1.8 | 50 |
| 1762760 | Y | VASO-MR16/6W/30/FL35/GU5.3/D | 6 | 40W | GU5.3 | 12 | 25,000 | 35° | 450 | 3000 | 80 | 877 | Y | Y | 1.97 | 1.8 | 50 |
| 1762847 | Y | VASO-MR16/6W/40/FL35/GU5.3/D | 6 | 40W | GU5.3 | 12 | 25,000 | 35° | 450 | 4000 | 80 | 877 | Y | Y | 1.97 | 1.8 | 50 |



VASO-MR16/5W/GU10



VASO-MR16/7W/GU10

Ordering Information Example: VASO-MR16/6W/27/FL35/GU5.3/D

| LED CLASS | LAMP TYPE | WATTAGE | CCT(K) | BEAM ANGLE | BASE | DIMMABLE |
|-----------|-----------|----------------|--|---------------------------|---------------|--------------------------------------|
| VASO | MR16 | 5W 6W 7W | 27 (2700K) 30 (3000K) 40 (4000K) | FL35 (35°) WFL40 (40°) | GU5.3 GU10 | D (dimmable) Blank (non dimmable) |



LED LAMP

HD Series



HD-PAR38, HD-PAR30LN, HD-PAR30



Features & Benefits

- Outstanding high lumen output, for premium and high ceiling applications
- May be used to replace high lumen PAR, including Ceramic Metal Halide (CMH)
- 3 different beam angles (PAR 38/26W) to meet all your lighting needs

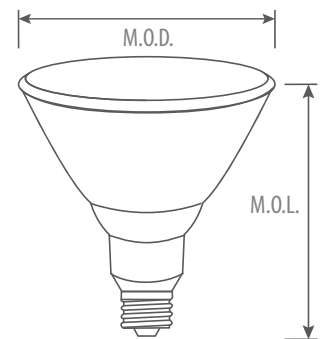
- Excellent performance for task lighting
- 50,000 hour average life, Energy Star listed*
- Energy saving up to 80% (compared with CMH)
- Enclosed fixture application and wet location approved*
- High CRI (Up to 90+)

Warranty & Cautions

- 5-year (ES approved), 3-year (non ES) limited warranty
- Operating temperature range between -20°C and +40°C
- UL/cUL listed, FCC compliant, RoHS compliant

- *For applicable models, see product specification below.
- For replacement of CMH lamp types, you need to disconnect ballasts before installation

Dimensional drawing



Product Specification

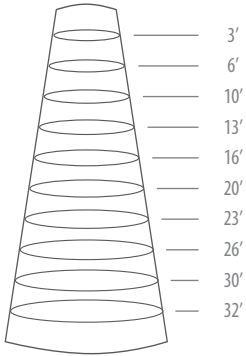
| Ordering Code | ES* | Model Number | Watts | Replacement CMH | Base | Voltage (V) | Hour Rating | Beam Angle | Initial Lumens(lm) | CCT(K) | CRI | C.B.C.P. (cd) | EFA ¹ | Wet LOC.* | Damp LOC. | M.O.D. (inch) | M.O.L. (inch) | Case QTY. |
|-------------------------|-----|---------------------------|-------|-----------------|------|-------------|-------------|------------|--------------------|--------|-----|---------------|------------------|-----------|-----------|---------------|---------------|-----------|
| HD-PAR38 (non dimmable) | | | | | | | | | | | | | | | | | | |
| 1785203 | Y | HD-PAR38/38W/30/FL25 | 38 | 100W | E26 | 120 | 50,000 | 25° | 4000 | 3000 | 80 | 17500 | N | Y | Y | 4.8 | 5.04 | 10 |
| 1785401 | Y | HD-PAR38/38W/40/FL25 | 38 | 100W | E26 | 120 | 50,000 | 25° | 4000 | 4000 | 80 | 17500 | N | Y | Y | 4.8 | 5.04 | 10 |
| 1785200 | Y | HD-PAR38/38W/30/WFL40 | 38 | 100W | E26 | 120 | 50,000 | 40° | 4000 | 3000 | 80 | 8000 | N | Y | Y | 4.8 | 5.04 | 10 |
| 1785400 | Y | HD-PAR38/38W/40/WFL40 | 38 | 100W | E26 | 120 | 50,000 | 40° | 4000 | 4000 | 80 | 8000 | N | Y | Y | 4.8 | 5.04 | 8 |
| HD-PAR38 (dimmable) | | | | | | | | | | | | | | | | | | |
| 1784201 | Y | HD-PAR38/26W/30/SP15/D | 26 | 70W | E26 | 120 | 50,000 | 15° | 2400 | 3000 | 90 | 20000 | Y | Y | Y | 4.8 | 5.04 | 8 |
| 1784202 | Y | HD-PAR38/26W/30/FL25/D | 26 | 70W | E26 | 120 | 50,000 | 25° | 2400 | 3000 | 90 | 11000 | Y | Y | Y | 4.8 | 5.04 | 8 |
| 1784203 | Y | HD-PAR38/26W/30/WFL40/D | 26 | 70W | E26 | 120 | 50,000 | 40° | 2400 | 3000 | 90 | 4000 | Y | Y | Y | 4.8 | 5.04 | 8 |
| 1784405 | Y | HD-PAR38/26W/40/SP15/D | 26 | 70W | E26 | 120 | 50,000 | 15° | 2400 | 4000 | 90 | 20000 | Y | Y | Y | 4.8 | 5.04 | 8 |
| 1784406 | Y | HD-PAR38/26W/40/FL25/D | 26 | 70W | E26 | 120 | 50,000 | 25° | 2400 | 4000 | 90 | 11000 | Y | Y | Y | 4.8 | 5.04 | 8 |
| 1784407 | Y | HD-PAR38/26W/40/WFL40/D | 26 | 70W | E26 | 120 | 50,000 | 40° | 2400 | 4000 | 90 | 4000 | Y | Y | Y | 4.8 | 5.04 | 8 |
| HD-PAR30 | | | | | | | | | | | | | | | | | | |
| 1785201 | Y | HD-PAR30LN/33W/30/FL25/D | 33 | 70W | E26 | 120 | 50,000 | 25° | 3000 | 3000 | 90 | 13000 | N | N | Y | 3.74 | 4.65 | 12 |
| 1785402 | Y | HD-PAR30LN/33W/40/FL25/D | 33 | 70W | E26 | 120 | 50,000 | 25° | 3000 | 4000 | 90 | 13000 | N | N | Y | 3.74 | 4.65 | 12 |
| 1785202 | Y | HD-PAR30LN/33W/30/WFL40/D | 33 | 70W | E26 | 120 | 50,000 | 40° | 3000 | 3000 | 90 | 6500 | N | N | Y | 3.74 | 4.65 | 12 |
| 1785403 | Y | HD-PAR30LN/33W/40/WFL40/D | 33 | 70W | E26 | 120 | 50,000 | 40° | 3000 | 4000 | 90 | 6500 | N | N | Y | 3.74 | 4.65 | 12 |
| 1785404 | N | HD-PAR30LN/33W/30/WFL60/D | 33 | 70W | E26 | 120 | 50,000 | 60° | 3000 | 3000 | 90 | | N | N | Y | 3.74 | 4.65 | 12 |
| 1785404 | N | HD-PAR30LN/33W/40/WFL60/D | 33 | 70W | E26 | 120 | 50,000 | 60° | 3000 | 4000 | 90 | | N | N | Y | 3.74 | 4.65 | 12 |
| 1782225 | N | HD-PAR30/11W/30/FL25/D | 11 | 39W | E26 | 120 | 40,000 | 25° | 1100 | 3000 | 80 | 2910 | Y | N | Y | 3.74 | 3.58 | 30 |
| 1782226 | N | HD-PAR30/11W/30/WFL40/D | 11 | 39W | E26 | 120 | 40,000 | 40° | 1100 | 3000 | 80 | 1315 | Y | N | Y | 3.74 | 3.58 | 30 |

¹ Enclosed Fixture Application



HD-PAR38, HD-PAR30LN, HD-PAR30

Accent Lighting Performance



HD-PAR38/26W/30/SP15/D

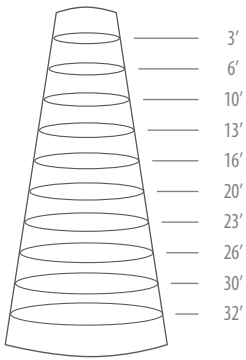
| Distance | Footcandles | Diameter |
|----------|-------------|----------|
| 3' | 1961 | 0.81' |
| 6' | 490.2 | 1.63' |
| 10' | 176.5 | 2.71' |
| 13' | 104.4 | 3.52' |
| 16' | 68.9 | 4.34' |
| 20' | 44.1 | 5.42' |
| 23' | 33.4 | 6.23' |
| 26' | 26.1 | 7.05' |
| 30' | 19.6 | 8.13' |
| 32' | 17.2 | 8.67' |

HD-PAR38/26W/30/FL25/D

| Distance | Footcandles | Diameter |
|----------|-------------|----------|
| 3' | 1322 | 1.11' |
| 6' | 330.5 | 2.22' |
| 10' | 119 | 3.70' |
| 13' | 70.4 | 4.81' |
| 16' | 46.5 | 5.92' |
| 20' | 29.8 | 7.41' |
| 23' | 22.5 | 8.52' |
| 26' | 17.6 | 9.63' |
| 30' | 13.2 | 11.11' |
| 32' | 11.6 | 11.85' |

HD-PAR38/26W/30/WFL40/D

| Distance | Footcandles | Diameter |
|----------|-------------|----------|
| 3' | 573.5 | 2.22' |
| 6' | 143.4 | 4.44' |
| 10' | 51.6 | 7.41' |
| 13' | 30.5 | 9.63' |
| 16' | 20.2 | 11.85' |
| 20' | 12.9 | 14.81' |
| 23' | 9.8 | 17.03' |
| 26' | 7.6 | 19.25' |
| 30' | 5.7 | 22.22' |
| 32' | 5 | 23.70' |

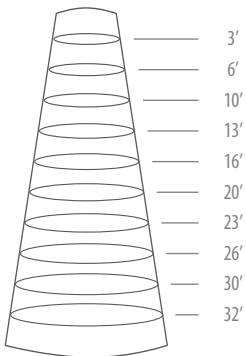


HD-PAR38/38W/30/FL25

| Distance | Footcandles | Diameter |
|----------|-------------|----------|
| 3' | 2264 | 1.04' |
| 6' | 566.1 | 2.07' |
| 10' | 203.8 | 3.45' |
| 13' | 120.6 | 4.49' |
| 16' | 79.6 | 5.52' |
| 20' | 50.9 | 6.91' |
| 23' | 38.5 | 7.94' |
| 26' | 30.2 | 8.97' |
| 30' | 22.6 | 10.35' |
| 32' | 19.9 | 11.04' |

HD-PAR38/38W/30/WFL40

| Distance | Footcandles | Diameter |
|----------|-------------|----------|
| 3' | 901.7 | 2.19' |
| 6' | 225.4 | 4.38' |
| 10' | 81.2 | 7.31' |
| 13' | 48 | 9.50' |
| 16' | 31.7 | 11.69' |
| 20' | 20.3 | 14.61' |
| 23' | 15.3 | 16.80' |
| 26' | 12 | 19.00' |
| 30' | 9 | 21.92' |
| 32' | 7.9 | 23.38' |



HD-PAR30LN/33W/30/FL25/D

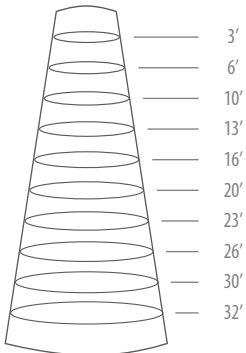
| Distance | Footcandles | Diameter |
|----------|-------------|----------|
| 3' | 1186 | 1.22' |
| 6' | 296.6 | 2.43' |
| 10' | 106.8 | 4.06' |
| 13' | 63.2 | 5.27' |
| 16' | 41.7 | 6.49' |
| 20' | 26.7 | 8.11' |
| 23' | 20.2 | 9.33' |
| 26' | 15.8 | 10.54' |
| 30' | 11.9 | 12.17' |
| 32' | 10.4 | 12.98' |

HD-PAR30LN/33W/30/WFL40/D

| Distance | Footcandles | Diameter |
|----------|-------------|----------|
| 3' | 712.7 | 2.03' |
| 6' | 178.2 | 4.05' |
| 10' | 64.1 | 6.76' |
| 13' | 37.9 | 8.78' |
| 16' | 25.1 | 10.81' |
| 20' | 16 | 13.51' |
| 23' | 12.1 | 15.54' |
| 26' | 9.5 | 17.56' |
| 30' | 7.1 | 20.27' |
| 32' | 6.3 | 21.62' |

HD-PAR30LN/33W/30/WFL60/D

| Distance | Footcandles | Diameter |
|----------|-------------|----------|
| 3' | 256 | 3.9' |
| 6' | n.a. | n.a. |
| 10' | 28.4 | 11.7' |
| 13' | 16 | 15.6' |
| 17' | 9.5 | 20.2' |
| 20' | 7.1 | 23.4' |
| 23' | 5.2 | 27.3' |
| 26' | 4.0 | 31.2' |
| 30' | 3.2 | 35' |
| 32' | 2.6 | 38' |



HD-PAR30/11W/30/FL25/D

| Distance | Footcandles | Diameter |
|----------|-------------|----------|
| 3' | 480.5 | 1.15' |
| 6' | 120.1 | 2.30' |
| 10' | 43.2 | 3.83' |
| 13' | 25.6 | 4.97' |
| 16' | 16.9 | 6.12' |
| 20' | 10.8 | 7.65' |
| 23' | 8.2 | 8.80' |
| 26' | 6.4 | 9.94' |
| 30' | 4.8 | 11.47' |
| 32' | 4.2 | 12.24' |

HD-PAR30/11W/30/WFL40/D

| Distance | Footcandles | Diameter |
|----------|-------------|----------|
| 3' | 248 | 2.02' |
| 6' | 62 | 4.03' |
| 10' | 22.3 | 6.73' |
| 13' | 13.2 | 8.75' |
| 16' | 8.7 | 10.77' |
| 20' | 5.6 | 13.46' |
| 23' | 4.2 | 15.48' |
| 26' | 3.3 | 17.5' |
| 30' | 2.5 | 20.19' |
| 32' | 2.2 | 21.54' |



VIV-PAR20/190

Features & Benefits

Deliver nearly perfect color accuracy and reproduction
High CRI (90+), Dimmable

7W replaces 50W incandescent

25,000 hour average life

Enclosed luminaires application

Wet location approved

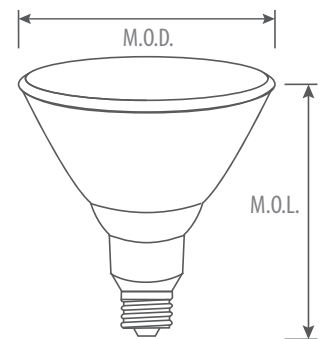
Warranty & Cautions

3-year limited warranty from the date of purchase

Operating temperature range between -40°C and +45°C

cETL listed, FCC compliant, RoHS compliant

Dimensional drawing



Product Specification

| Ordering Code | Model Number | Watts | Replacement Incandescent | Base | Voltage (V) | Hour Rating | Beam Angle | Initial Lumens(lm) | CCT(K) | CRI | Enclosed Fixture | Wet Location | M.O.D. (inch) | M.O.L. (inch) | Case QTY. |
|---------------|-----------------------------|-------|--------------------------|------|-------------|-------------|------------|--------------------|--------|-----|------------------|--------------|---------------|---------------|-----------|
| 1752104 | VIV-PAR20/190/7W/27/WFL40/D | 7 | 50W | E26 | 120 | 25,000 | 40° | 500 | 2700 | 90 | Y | Y | 2.47 | 3.46 | 50 |
| 1752211 | VIV-PAR20/190/7W/30/WFL40/D | 7 | 50W | E26 | 120 | 25,000 | 40° | 500 | 3000 | 90 | Y | Y | 2.47 | 3.46 | 50 |
| 1752409 | VIV-PAR20/190/7W/40/WFL40/D | 7 | 50W | E26 | 120 | 25,000 | 40° | 500 | 4000 | 90 | Y | Y | 2.47 | 3.46 | 50 |
| 1752506 | VIV-PAR20/190/7W/50/WFL40/D | 7 | 50W | E26 | 120 | 25,000 | 40° | 500 | 5000 | 90 | Y | Y | 2.47 | 3.46 | 50 |

Ordering Information Example: VIV-PAR20/190/7W/27/WFL40/D

| LED CLASS | LAMP TYPE | CRI | WATTAGE | CCT (K) | BEAM ANGLE | DIMMABLE |
|-------------|-----------|--------------|---------|--|-------------|--------------|
| VIV (Vivid) | PAR20 | 190 (CRI≥90) | 7W | 27 (2700K) 30 (3000K) 40 (4000K) 50 (5000k) | WFL40 (40°) | D (dimmable) |



LED LAMP

PURE VISION



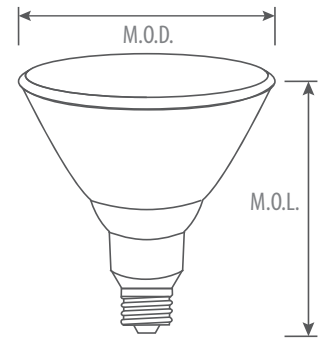
PV-PAR38, PV-PAR30, PV-PAR20



Features & Benefits

| | |
|--|------------------------------|
| Energy Star listed ,unique halogen looking lens design | Black housing available |
| Beam angle 40° & 25°, with wide color temperature options* | 25,000 hour average life |
| High CRI (80+), dimmable** | Enclosed fixture application |
| 16W replaces 120W halogen, 13W replaces 90W halogen, 12W replaces 75W halogen, 7W replaces 50W halogen | Wet location approved |

Dimensional drawing



Warranty & Cautions

| |
|---|
| 3-year limited warranty |
| Operating temperature range between -40°C and +45°C |
| UL/cUL listed, FCC compliant, RoHS compliant |

* PAR30LN, PAR20 5000K ES available. ** Check the dimmer compatibility list on our website www.turolight.com

Product Specification

| Ordering Code | ES | Model Number | Watts | Base | Voltage (V) | Hour Rating | Beam Angle | Initial Lumens(lm) | CCT(K) | CRI | C.B.C.P. (cd) | EFA ¹ | Wet LOC. | Damp LOC. | M.O.D. (inch) | M.O.L. (inch) | Case QTY. |
|---------------|----|----------------------------|-------|------|-------------|-------------|------------|--------------------|--------|-----|---------------|------------------|----------|-----------|---------------|---------------|-----------|
| PV-PAR38 | | | | | | | | | | | | | | | | | |
| 1733100 | Y | PV-PAR38/16W/27/WFL40/D/ES | 16 | E26 | 120 | 25,000 | 40° | 1400 | 2700 | 80 | 2270 | Y | Y | Y | 4.8 | 5.31 | 20 |
| 1733200 | Y | PV-PAR38/16W/30/WFL40/D/ES | 16 | E26 | 120 | 25,000 | 40° | 1400 | 3000 | 80 | 2270 | Y | Y | Y | 4.8 | 5.31 | 20 |
| 1733300 | Y | PV-PAR38/16W/35/WFL40/D/ES | 16 | E26 | 120 | 25,000 | 40° | 1400 | 3500 | 80 | 2270 | Y | Y | Y | 4.8 | 5.31 | 20 |
| 1733400 | Y | PV-PAR38/16W/40/WFL40/D/ES | 16 | E26 | 120 | 25,000 | 40° | 1400 | 4000 | 80 | 2270 | Y | Y | Y | 4.8 | 5.31 | 20 |
| 1733500 | Y | PV-PAR38/16W/50/WFL40/D/ES | 16 | E26 | 120 | 25,000 | 40° | 1400 | 5000 | 80 | 2270 | Y | Y | Y | 4.8 | 5.31 | 20 |
| 1733201 | Y | PV-PAR38/16W/30/FL25/D/ES | 16 | E26 | 120 | 25,000 | 25° | 1400 | 3000 | 80 | 2270 | Y | Y | Y | 4.8 | 5.31 | 20 |
| 1733401 | Y | PV-PAR38/16W/40/FL25/D/ES | 16 | E26 | 120 | 25,000 | 25° | 1400 | 4000 | 80 | 2270 | Y | Y | Y | 4.8 | 5.31 | 20 |
| 1732105 | Y | PV-PAR38/13W/27/WFL40/D/ES | 13 | E26 | 120 | 25,000 | 40° | 910 | 2700 | 80 | 1533 | Y | Y | Y | 4.8 | 5.31 | 20 |
| 1732205 | Y | PV-PAR38/13W/30/WFL40/D/ES | 13 | E26 | 120 | 25,000 | 40° | 910 | 3000 | 80 | 1533 | Y | Y | Y | 4.8 | 5.31 | 20 |
| 1732304 | Y | PV-PAR38/13W/35/WFL40/D/ES | 13 | E26 | 120 | 25,000 | 40° | 910 | 3500 | 80 | 1533 | Y | Y | Y | 4.8 | 5.31 | 20 |
| 1732404 | Y | PV-PAR38/13W/40/WFL40/D/ES | 13 | E26 | 120 | 25,000 | 40° | 910 | 4000 | 80 | 1533 | Y | Y | Y | 4.8 | 5.31 | 20 |
| 1732505 | Y | PV-PAR38/13W/50/WFL40/D/ES | 13 | E26 | 120 | 25,000 | 40° | 910 | 5000 | 80 | 1533 | Y | Y | Y | 4.8 | 5.31 | 20 |

¹ Enclosed Fixture Application



PV-PAR38, PV-PAR30LN, PV-PAR20

| Ordering Code | ES | Model Number | Watts | Base | Voltage (V) | Hour Rating | Beam Angle | Initial Lumens(lm) | CCT(K) | CRI | C.B.C.P. (cd) | EFA ¹ | Wet LOC. | Damp LOC. | M.O.D. (inch) | M.O.L. (inch) | Case QTY. | |
|---------------|----|---------------------------------|-------|------|-------------|-------------|------------|--------------------|--------|-----|---------------|------------------|----------|-----------|---------------|---------------|-----------|--|
| PV-PAR30 | | | | | | | | | | | | | | | | | | |
| 1732107 | Y | PV-PAR30LN/12W/27/WFL40/D/ES | 12 | E26 | 120 | 25,000 | 40° | 840 | 2700 | 80 | 1315 | Y | Y | Y | 3.74 | 4.84 | 20 | |
| 1732207 | Y | PV-PAR30LN/12W/30/WFL40/D/ES | 12 | E26 | 120 | 25,000 | 40° | 840 | 3000 | 80 | 1315 | Y | Y | Y | 3.74 | 4.84 | 20 | |
| 1732406 | Y | PV-PAR30LN/12W/40/WFL40/D/ES | 12 | E26 | 120 | 25,000 | 40° | 840 | 4000 | 80 | 1315 | Y | Y | Y | 3.74 | 4.84 | 20 | |
| 1732509 | Y | PV-PAR30LN/12W/50/WFL40/D/ES | 12 | E26 | 120 | 25,000 | 40° | 840 | 5000 | 80 | 1315 | Y | Y | Y | 3.74 | 4.84 | 20 | |
| 1762886 | Y | PV-PAR30LN/12W/30/WFL40/D/ES/BK | 12 | E26 | 120 | 25,000 | 40° | 840 | 3000 | 80 | 1315 | Y | Y | Y | 3.74 | 4.84 | 20 | |
| 1732206 | Y | PV-PAR30LN/12W/30/FL25/D/ES | 12 | E26 | 120 | 25,000 | 25° | 840 | 3000 | 80 | 2910 | Y | Y | Y | 3.74 | 4.84 | 20 | |
| 1732216 | Y | PV-PAR30/12W/30/WFL40/D/ES | 12 | E26 | 120 | 25,000 | 40° | 840 | 3000 | 80 | 1315 | Y | Y | Y | 3.74 | 3.5 | 20 | |
| PV-PAR20 | | | | | | | | | | | | | | | | | | |
| 1732109 | Y | PV-PAR20/7W/27/WFL40/D/ES | 7 | E26 | 120 | 25,000 | 40° | 500 | 2700 | 80 | 593 | Y | Y | Y | 2.47 | 3.46 | 50 | |
| 1732209 | Y | PV-PAR20/7W/30/WFL40/D/ES | 7 | E26 | 120 | 25,000 | 40° | 500 | 3000 | 80 | 593 | Y | Y | Y | 2.47 | 3.46 | 50 | |
| 1732408 | Y | PV-PAR20/7W/40/WFL40/D/ES | 7 | E26 | 120 | 25,000 | 40° | 500 | 4000 | 80 | 593 | Y | Y | Y | 2.47 | 3.46 | 50 | |
| 1732511 | Y | PV-PAR20/7W/50/WFL40/D/ES | 7 | E26 | 120 | 25,000 | 40° | 500 | 5000 | 80 | 593 | Y | Y | Y | 2.47 | 3.46 | 50 | |
| 1762887 | Y | PV-PAR20/7W/30/WFL40/D/ES/BK | 7 | E26 | 120 | 25,000 | 40° | 500 | 3000 | 80 | 593 | Y | Y | Y | 2.47 | 3.46 | 50 | |

Ordering Information Example: PV-PAR38/16W/27/WFL40/D/ES

| LED CLASS | LAMP TYPE | WATTAGE | CCT(K) | BEAM ANGLE | DIMMABLE | ENERGY STAR | Housing Colour |
|-----------|--|-------------------------|------------------------|---------------------------|----------|-------------|----------------------------|
| PV | PAR38 PAR30 PAR30LN (Long Neck) PAR20 | 16W 13W 12W 7W | 50, 40 35, 30 27 | WFL40 (40°) FL25 (25°) | D | ES | BK (Black) Blank(White) |



LED LAMP

VIVID Series



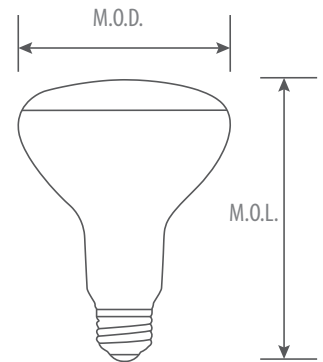
VIV-BR40, VIV-BR30, VIV-BR20



Features & Benefits

| | |
|---|-------------------------------|
| Energy Star listed | 25,000 hour average life |
| High CRI (80+), dimmable | Enclosed fixture application* |
| 13W replaces 75W incandescent 9W replaces 45W incandescent 8W replaces 35W incandescent | Damp location approved |

Dimensional drawing



Warranty & Cautions

| |
|---|
| 3-year limited warranty |
| Operating temperature range between -20°C and +40°C |
| UL/cUL listed, FCC compliant, RoHS compliant |

* For applicable models, see product specification below

Product Specification

| Ordering Code | ES | Model Number | Watts | Replacement Incandescent | Base | Voltage (V) | Hour Rating | Beam Angle | Initial Lumens(lm) | CCT(K) | CRI | Enclosed Fixture Application | Damp LOC. | M.O.D. (inch) | M.O.L. (inch) | Case QTY. |
|---------------|----|-------------------|-------|--------------------------|------|-------------|-------------|------------|--------------------|--------|-----|------------------------------|-----------|---------------|---------------|-----------|
| 1752103 | Y | VIV-BR30/9W/27/D | 9 | 45W | E26 | 120 | 25,000 | 100° | 650 | 2700 | 80 | - | - | 3.76 | 5.2 | 24 |
| 1752212 | Y | VIV-BR30/9W/30/D | 9 | 45W | E26 | 120 | 25,000 | 100° | 650 | 3000 | 80 | - | - | 3.76 | 5.2 | 24 |
| 1752410 | Y | VIV-BR30/9W/40/D | 9 | 45W | E26 | 120 | 25,000 | 100° | 650 | 4000 | 80 | - | - | 3.76 | 5.2 | 24 |
| 1752102 | Y | VIV-BR40/13W/27/D | 13 | 75W | E26 | 120 | 25,000 | 120° | 1050 | 2700 | 80 | - | Y | 4.72 | 6.3 | 10 |
| 1762136 | - | VIV-BR20/8W/27/D | 8 | 35W | E26 | 120 | 25,000 | 120° | 450 | 2700 | 80 | Y | Y | 2.48 | 3.7 | 20 |
| 1762813 | - | VIV-BR20/8W/40/D | 8 | 35W | E26 | 120 | 25,000 | 120° | 450 | 4000 | 80 | Y | Y | 2.48 | 3.7 | 20 |

Ordering Information Example: VIV-BR20/9W/27/D

| LED CLASS | LAMP TYPE | WATTAGE | CCT(K) | DIMMABLE |
|-------------|----------------------|-----------------|--|--------------------------------------|
| VIV (Vivid) | BR40 BR30 BR20 | 13W 9W 8W | 27 (2700K) 30 (3000K) 40 (4000K) | D (dimmable) Blank (non dimmable) |



LED LAMP

VIVID Series

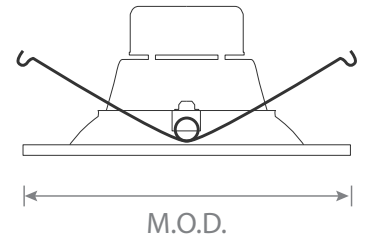
VIV-RK 6"



Features & Benefits

| | |
|--------------------------|--|
| 1100 Lumens | Compatible with 5" and 6" standard recessed housings |
| Energy Star listed | 50,000 hour average life |
| High CRI (80+), dimmable | Damp location rated |

Dimensional drawing



Warranty & Cautions

| |
|---|
| 3-year limited warranty |
| Operating temperature range between -20°C and +45°C |
| UL/cUL listed, FCC compliant, RoHS compliant |

Product Specification

| Ordering Code | ES | Model Number | Watts | Base | Voltage (V) | Hour Rating | Beam Angle | Initial Lumens(lm) | CCT (K) | CRI | Damp LOC. | M.O.D. (inch) |
|---------------|----|-------------------|-------|------|-------------|-------------|------------|--------------------|---------|-----|-----------|---------------|
| 1762779 | Y | VIV-RK/6/10W/30/D | 10 | E26 | 120 | 50,000 | 120° | 620 | 3000 | 80 | Y | 7.32 |
| 1762861 | Y | VIV-RK/6/10W/40/D | 10 | E26 | 120 | 50,000 | 120° | 640 | 4000 | 80 | Y | 7.32 |
| 1762777 | Y | VIV-RK/6/16W/30/D | 16 | E26 | 120 | 50,000 | 120° | 1050 | 3000 | 80 | Y | 7.32 |
| 1762859 | Y | VIV-RK/6/16W/40/D | 16 | E26 | 120 | 50,000 | 120° | 1100 | 4000 | 80 | Y | 7.32 |

Ordering Information Example: VIV-RK/6/13W/30/D

| LED CLASS | LAMP TYPE | SIZE | WATTAGE | CCT(K) | DIMMABLE |
|-------------|-------------------|--------|------------|--------------------------|--------------|
| VIV (Vivid) | RK (Retrofit Kit) | 6 (6") | 10W 16W | 30 (3000K) 40 (4000K) | D (dimmable) |



8.5W/
Replaces
45W

Key Features

- Adjustable Neck Design
- Energy Star Listed
- Suitable for type IC, type Non-IC and Air Tight Housings
- 8.5W replaces 45W incandescent
- Dimmable
- High CRI (80+)
- 25,000 hour average life
- 8.5W adjustable 3", 3.5" and 4"
- Indoor - Suitable for Damp Locations

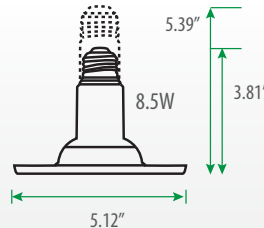
RoHS COMPLIANT

UL LISTED

ENERGY STAR

Other information

- Operating temperature range between -20°C and +45°C
- UL/cUL listed, RoHS compliant
- 3-year limited warranty in commercial and residential use



Applications

- Art galleries and museums
- Hospitality and Residential
- Shopping Malls
- Accent / display lightings
- Restaurants
- Kitchens
- Homes

| Order Code | Model Number | ES | Watts | Base | Volts | Hour Rating | Beam Angle | Initial Lumens | CCT (K) | CRI | M.O.D. (inch) | M.O.L. (inch) | QTY (box/pc) |
|------------|---------------------------|----|-------|------|-------|-------------|------------|----------------|---------|-----|---------------|---------------|--------------|
| 1762727 | VIV-RK/RF/8.5W/30/D (2PK) | | 8.5 | E26 | 120 | 25,000 | 115° | 500 | 3000 | 80 | 5.12 | 3.81 - 5.39 | 8/16 |
| 1762817 | VIV-RK/RF/8.5W/40/D (2PK) | | 8.5 | E26 | 120 | 25,000 | 115° | 500 | 4000 | 80 | 5.12 | 3.81 - 5.39 | 8/16 |

How to read: VIV - RK / RF / 8.5W / 30 / D
LED Class Retrofit Kit Retroflex Wattage CCT(K) Dimmable



LED LAMP

ARTISAN

LOW
non visible
FLICKER



A15, A19, B10



Features & Benefits

Reduced flicker down to 10%

- Compare to 6.6% traditional incandescent
- Far below California T20 standard 30%
- Significantly improve light quality
- Optimize eye comfort

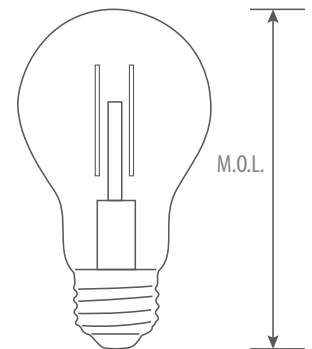
With clear, amber or milky white glass cover

Dimmable, High CRI (80+)

15,000 hour average life span

Rated for damp locations

Dimensional drawing



Warranty & Cautions

2-year limited warranty

Operating temperature range between -20°C and +40°C

Ordering Information

Example: AR-A19LF/8W/30/D/MW

| LED CLASS | LAMP TYPE | WATTAGE | CCT(K) | BASE | DIMMABLE | COVER |
|-----------------|-------------------------|----------------|--|--------------------------|--------------|--|
| AR (Artisan) | A15LF A19LF B10LF | 4W 5W 8W | 22 (2200K) 27 (2700K) 30 (3000K) 40 (4000K) | E12 (E12) Blank (E26) | D (dimmable) | C (Clear) A (Amber) MW (Milky White) |

Product Specification

| Ordering Code | Model Number | Product Description | Watts (W) | Replacement Filament | Replacement Incandescent | Base | Voltage (V) | Hour Rating | Beam Angle | Initial Lumens (lm) | CCT(K) | CRI | Damp LOC. | M.O.L. (inch) | Case QTY. |
|---------------|-------------------------|---|-----------|----------------------|--------------------------|------|-------------|-------------|------------|---------------------|--------|-----|-----------|---------------|-----------|
| 1771209 | AR-A15LF/5W/30/D/C | A15 Low Flicker 5W 30K Dimmable Clear | 5 | - | 40W | E26 | 120 | 15,000 | 330° | 500 | 3000 | 80 | Y | 3.54 | 40 |
| 1771213 | AR-A15LF/5W/30/D/MW | A15 Low Flicker 5W 30K Dimmable Milky white | 5 | - | 40W | E26 | 120 | 15,000 | 330° | 450 | 3000 | 80 | Y | 3.54 | 40 |
| 1771210 | AR-A15LF/5W/30/D/F | A15 Low Flicker 5W 30K Dimmable Milky white | 5 | - | 40W | E26 | 120 | 15,000 | 330° | 450 | 3000 | 80 | Y | 3.54 | 40 |
| 1772110 | AR-A19LF/8W/27/D/C | A19 Low Flicker 8W 27K Dimmable Clear | 8 | - | 60W | E26 | 120 | 15,000 | 330° | 800 | 2700 | 80 | Y | 4.29 | 40 |
| 1772202 | AR-A19LF/8W/30/D/C | A19 Low Flicker 8W 30K Dimmable Clear | 8 | - | 60W | E26 | 120 | 15,000 | 330° | 800 | 3000 | 80 | Y | 4.29 | 40 |
| 1772205 | AR-A19LF/8W/30/D/MW | A19 Low Flicker 8W 30K Dimmable Milky white | 8 | - | 60W | E26 | 120 | 15,000 | 330° | 750 | 3000 | 80 | Y | 4.29 | 40 |
| 1771141 | AR-B10LF/4W/27/E12/D/C | B10 Low Flicker 4W 27K E12 Dimmable Clear | 4 | - | 40W | E12 | 120 | 15,000 | 330° | 300 | 2700 | 80 | Y | 3.78 | 50 |
| 1771203 | AR-B10LF/4W/30/E12/D/C | B10 Low Flicker 4W 30K E12 Dimmable Clear | 4 | - | 40W | E12 | 120 | 15,000 | 330° | 300 | 3000 | 80 | Y | 3.78 | 50 |
| 1771211 | AR-B10LF/4W/30/E12/D/MW | B10 Low Flicker 4W 30K E12 Dimmable Milky white | 4 | - | 40W | E12 | 120 | 15,000 | 330° | 280 | 3000 | 80 | Y | 3.78 | 50 |
| 1771403 | AR-B10LF/4W/40/E12/D/C | B10 Low Flicker 4W 40K E12 Dimmable Clear | 4 | - | 40W | E12 | 120 | 15,000 | 330° | 300 | 4000 | 80 | Y | 3.78 | 50 |
| 1771925 | AR-B10LF/4W/22/E12/D/A | B10 Low Flicker 4W 22K E12 Dimmable Amber | 4 | 40W | - | E12 | 120 | 15,000 | 330° | 250 | 2200 | 80 | Y | 3.78 | 50 |
| 1771142 | AR-B10LF/4W/27/D/C | B10 Low Flicker 4W 27K E26 Dimmable Clear | 4 | - | 40W | E26 | 120 | 15,000 | 330° | 300 | 2700 | 80 | Y | 3.78 | 50 |



LED LAMP ARTISAN



LONGER FILAMENT
BRIGHTER
BETTER-LOOKING

AR-ST19LF/HO



Features & Benefits

- Replaces 60W traditional filament and incandescent
- Longer filament: Brighter and Better-looking
- 15,000 hour life (L70), 330° Beam angle, High CRI (80+)
- Damp location rated

- Clear/ Milky White cover
- Higher lumen output
- Dimmable

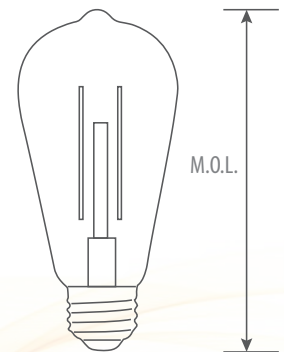
Warranty & Cautions

- 2-year limited warranty
- Operating temperature range between -20°C and +40°C

Applications

Suitable for the coffee shop, restaurant, library, and other applications

Dimensional drawing



Product Specification

| Ordering Code | Model Number | Watts | Replacement Incandescent | Base | Voltage (V) | Hour Rating | Beam Angle | Initial Lumens(lm) | CCT(K) | CRI | Damp Location | M.O.D. (inch) | M.O.L. (inch) | Case QTY. |
|---------------|-------------------------|-------|--------------------------|------|-------------|-------------|------------|--------------------|--------|-----|---------------|---------------|---------------|-----------|
| 1771148 | AR-ST19LF/5W/27/D/C/HO | 5 | 60W | E26 | 120 | 15,000 | 330° | 600 | 2700 | 80 | Y | 2.52 | 5.39 | 50 |
| 1771220 | AR-ST19LF/5W/30/D/C/HO | 5 | 60W | E26 | 120 | 15,000 | 330° | 600 | 3000 | 80 | Y | 2.52 | 5.39 | 50 |
| 1771405 | AR-ST19LF/5W/40/D/C/HO | 5 | 60W | E26 | 120 | 15,000 | 330° | 600 | 4000 | 80 | Y | 2.52 | 5.39 | 50 |
| 1771221 | AR-ST19LF/5W/30/D/MW/HO | 5 | 60W | E26 | 120 | 15,000 | 330° | 550 | 3000 | 80 | Y | 2.52 | 5.39 | 50 |
| 1772909 | AR-ST19LF/5W/22/D/A/HO | 5 | 50W | E26 | 120 | 15,000 | 330° | 500 | 2200 | 80 | Y | 2.52 | 5.39 | 50 |
| 1771214 | AR-ST19LF/5W/30/D/MW | 5 | 50W | E26 | 120 | 15,000 | 330° | 450 | 3000 | 80 | Y | 2.52 | 5.39 | 50 |

Ordering Information Example: AR-ST19LF/5W/27/D/C/HO

| LED CLASS | LAMP TYPE | WATTAGE | CCT(K) | DIMMABLE | COVER | Output |
|--------------|----------------------|---------|--|--------------|--|------------------------|
| AR (Artisan) | ST19LF (Low Flicker) | 5W | 22 (2200K) 27 (2700K) 30 (3000K) 40 (4000K) | D (dimmable) | C (Clear) MW (Milky White) A (Amber) | HO (High Lumen Output) |



LED LAMP ARTISAN



G16.5, G30, G40

LOW
non visible
FLICKER



Features & Benefits

Reduced flicker down to 10%

- Compare to 6.6% traditional incandescent
- Far below California T20 standard 30%
- Significantly improve light quality
- Optimize eye comfort

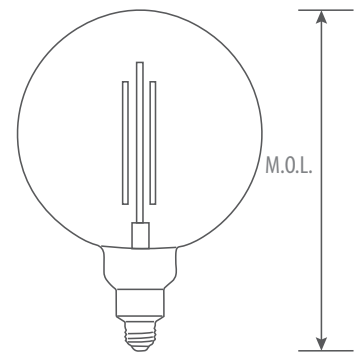
With clear, amber or milky white glass cover

Dimmable, High CRI (80+)

15,000 hour average life span

Rated for damp locations

Dimensional drawing



Warranty & Cautions

2-year limited warranty

Operating temperature range between -20°C and +40°C

Ordering Information

Example: AR-A19LF/8W/30/D/MW

| LED CLASS | LAMP TYPE | WATTAGE | CCT(K) | BASE | DIMMABLE | COVER |
|-----------------|---------------------------|----------|--|--------------------------|--------------|--|
| AR (Artisan) | G16.5LF G30LF G40LF | 4W 5W | 22 (2200K) 27 (2700K) 30 (3000K) | E12 (E12) Blank (E26) | D (dimmable) | C (Clear) A (Amber) MW (Milky White) |

Product Specification

| Ordering Code | Model Number | Product Description | Watts (W) | Replacement Filament | Replacement Incandescent | Base | Voltage (V) | Hour Rating | Beam Angle | Initial Lumens (lm) | CCT(K) | CRI | Damp LOC. | M.O.L. (inch) | Case QTY. |
|---------------|---------------------------|---|-----------|----------------------|--------------------------|------|-------------|-------------|------------|---------------------|--------|-----|-----------|---------------|-----------|
| 1771146 | AR-G16.5LF/4W/27/E12/D/C | G16.5 Low Flicker 4W 27K E12 Dimmable Clear | 4 | - | 40W | E12 | 120 | 15,000 | 330° | 350 | 2700 | 80 | Y | 3.31 | 50 |
| 1771208 | AR-G16.5LF/4W/30/E12/D/C | G16.5 Low Flicker 4W 30K E12 Dimmable Clear | 4 | - | 40W | E12 | 120 | 15,000 | 330° | 350 | 3000 | 80 | Y | 3.31 | 50 |
| 1771212 | AR-G16.5LF/4W/30/E12/D/MW | G16.5 Low Flicker 4W 30K E12 Dimmable Milky white | 4 | - | 40W | E12 | 120 | 15,000 | 330° | 300 | 3000 | 80 | Y | 3.31 | 50 |
| 1771109 | AR-G16.5/4W/27/D/C | G16.5 4W 27K E26 Dimmable Clear | 4 | - | 40W | E26 | 120 | 15,000 | 330° | 350 | 2700 | 80 | Y | 3.31 | 50 |
| 1771147 | AR-G30LF/5W/27/D/C | G30 Low Flicker 5W 27K Dimmable Clear | 5 | - | 50W | E26 | 120 | 15,000 | 330° | 500 | 2700 | 80 | Y | 5.28 | 40 |
| 1771215 | AR-G30LF/5W/30/D/C | G30 Low Flicker 5W 30K Dimmable Clear | 5 | - | 50W | E26 | 120 | 15,000 | 330° | 500 | 3000 | 80 | Y | 5.28 | 40 |
| 1771216 | AR-G30LF/5W/30/D/MW | G30 Low Flicker 5W 30K Dimmable Milky White | 5 | - | 50W | E26 | 120 | 15,000 | 330° | 450 | 3000 | 80 | Y | 5.28 | 40 |
| 1772113 | AR-G30/6W/27/D/F | G30 6W 27K Dimmable Frost/Milky White | 6 | - | 60W | E26 | 120 | 15,000 | 330° | 600 | 2700 | 80 | Y | 5.28 | 40 |
| 1771217 | AR-G40LF/4W/30/D/C | G40 Low Flicker 4W 30K Dimmable Clear | 4 | - | 40W | E26 | 120 | 15,000 | 330° | 350 | 3000 | 80 | Y | 6.77 | 8 |
| 1771218 | AR-G40LF/4W/30/D/MW | G40 Low Flicker 4W 30K Dimmable Milky White | 4 | - | 40W | E26 | 120 | 15,000 | 330° | 320 | 3000 | 80 | Y | 6.77 | 8 |
| 1772910 | AR-G40LF/5W/22/D/A | G40 Low Flicker 5W 22K Dimmable Amber | 5 | 50W | - | E26 | 120 | 15,000 | 330° | 500 | 2200 | 80 | Y | 6.77 | 8 |



LED LAMP ARTISAN



T10 Long



T10



T6

T14

T9



AR-T6LF, AR-T9LF, AR-T14LF, AR-T10

Features & Benefits

Reduced flicker down to 10%

- Compare to 6.6% traditional incandescent
- Far below California T20 standard 30%
- Significantly improve light quality
- Optimize eye comfort

* For applicable models, see product specification below

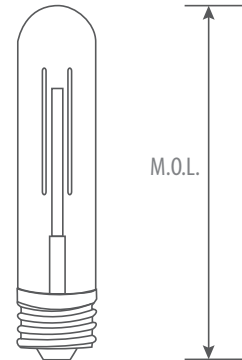
With clear, amber glass cover

Dimmable, High CRI (80+)

25,000 hour average life span*, Beam angle 330°*

Rated for damp locations

Dimensional drawing



Warranty & Cautions

15,000hrs: 2-year; 25,000hrs: 3-year limited warranty

Operating temperature range between -20°C and +40°C

Product Specification

| Ordering Code | Model Number | Watts | Replacement Filament | Replacement Incandescent | Base | Voltage (V) | Hour Rating | Beam Angle° | Initial Lumens(lm) | CCT(K) | CRI | Damp Location | M.O.L. (inch) | Case QTY. |
|---------------|-------------------------|-------|----------------------|--------------------------|------|-------------|-------------|-------------|--------------------|--------|-----|---------------|---------------|-----------|
| 1771219 | AR-T6LF/5W/30/E12/D/C | 5 | - | 50W | E12 | 120 | 15,000 | 330 | 500 | 3000 | 80 | Y | 3.84 | 50 |
| 1771205 | AR-T6LF/2.5W/30/E12/D/C | 2.5 | - | 25W | E12 | 120 | 15,000 | 330 | 200 | 3000 | 80 | Y | 3.84 | 50 |
| 1771140 | AR-T9LF/4W/27/D/C | 4 | - | 40W | E26 | 120 | 15,000 | 330 | 350 | 2700 | 80 | Y | 5.71 | 50 |
| 1771206 | AR-T9LF/4W/30/D/C | 4 | - | 40W | E26 | 120 | 15,000 | 330 | 350 | 3000 | 80 | Y | 5.71 | 50 |
| 1771207 | AR-T14LF/5W/30/D/C | 5 | - | 60W | E26 | 120 | 15,000 | 330 | 500 | 3000 | 80 | Y | 4.17 | 50 |
| 1772204 | AR-T10/8W/30/D/C/L** | 8 | - | - | E26 | 120 | 20,000 | 330 | 750 | 3000 | 80 | Y | 11.9 | 100 |
| 1771907 | AR-T10/5W/22/D/A** | 5 | 60W | - | E26 | 120 | 15,000 | 320 | 400 | 2200 | 80 | Y | 4.96 | 72 |

** AR-T10 are not the low flicker items

Ordering Information Example: AR-T6LF/5W/30/E12/D/C

| LED CLASS | LAMP TYPE | WATTAGE | CCT(K) | BASE | DIMMABLE | COVER | OTHERS |
|--------------|--|------------------------|--|------------------------------------|--------------|------------------------|---------------|
| AR (Artisan) | T6LF (T6 Low Flicker) T9LF (T9 Low Flicker) T14LF (T14 Low Flicker) T10 | 2.5W 4W 5W 8W | 22 (2200K) 27 (2700K) 30 (3000K) | E12 (Base E12) Blank (Base E26) | D (dimmable) | C (Clear) A (Amber) | L (Long Size) |



LED LAMP

ARTISAN-AESTHETIC



Dimmable



A19, B11, ST19, G25

Features & Benefits

- Each filament design expresses a unique decor experience
- Enhance aesthetics with bulb only
- 125lm/ 250lm replaces 13W/25W traditional filament bulb
- Warm and vintage color temperature (2000K)
- UL/cUL listed, FCC compliant, RoHS compliant

- Dimmable, High CRI (80+)
- 15,000 hour average life span
- Reduces energy consumption up to 70%
- Rated for damp locations and semi-enclosed fixtures

Applications

Perfect for decorative installations. Hospitality, Restaurants, Residential, Retail etc.

Product Specification

| Ordering Code | Model Number | Product Description | Watts (W) | Replacement Filament | Base | Voltage (V) | Hour Rating | Beam Angle | Initial Lumens (lm) | CCT(K) | CRI | EFA* | Damp LOC. | M.O.L. (inch) | Case QTY. |
|---------------|--------------------------|--|-----------|----------------------|------|-------------|-------------|------------|---------------------|--------|-----|---------------|-----------|---------------|-----------|
| 1771923 | AR-A19/S/4.5W/20/D/A | A19 Spiral 4.5W 20K Dimmable Amber | 4.5 | 13W | E26 | 120 | 15,000 | 360 | 125 | 2000 | 80 | semi-enclosed | Y | 4.17 | 10/100 |
| 1771924 | AR-B11/S/4.5W/20/E12/D/A | B11 Spiral 4.5W 20K E12 Dimmable Amber | 4.5 | 13W | E12 | 120 | 15,000 | 360 | 125 | 2000 | 80 | semi-enclosed | Y | 3.82 | 10/100 |
| 1772905 | AR-ST19/M/6.5W/20/D/A | ST19 M- Shape 6.5W Dimmable Amber | 6.5 | 25W | E26 | 120 | 15,000 | 360 | 250 | 2000 | 80 | semi-enclosed | Y | 5.39 | 10/80 |
| 1772906 | AR-G25/DS/6.5W/20/D/A | G25 Double Spiral 6.5W Dimmable Amber | 6.5 | 25W | E26 | 120 | 15,000 | 360 | 250 | 2000 | 80 | semi-enclosed | Y | 4.69 | 10/80 |

* Enclosed Fixture Application

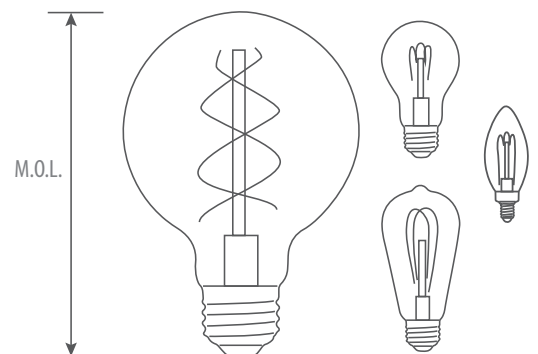
Warranty & Cautions

- 2-year limited warranty in commercial use from the date of purchase
- Operating temperature range between -20°C and +40°C

Ordering Information Example: AR-A19/S/4.5W/20/D/A

| LED CLASS | LAMP TYPE | LED Chip Shape | WATTAGE | CCT(K) | BASE | DIMMABLE | Glass Color |
|--------------|-----------|--------------------|---------|------------|-------------|--------------|-------------|
| AR (Artisan) | A19 | S (Spiral) | 4.5W | 20 (2000K) | E12(E12) | D (dimmable) | A (Amber) |
| | B11 | S (Spiral) | 4.5W | | Blank (E26) | | |
| | ST19 | M (M Shape) | 6.5W | | | | |
| | G25 | DS (Double Spiral) | 6.5W | | | | |

Dimensional drawing





LED LAMP

ARTISAN

S14



Features & Benefits

75lm replaces 11W traditional filament bulb

Warm color temperature (2700K & 2200K)

UL/cUL listed, FCC compliant, RoHS compliant

Omni light (Beam Angle 330°)

High CRI (80+)

25,000 hour average life span

Reduces energy consumption up to 90%

Rated for wet locations

Applications

Perfect for decorative installations. Hospitality, Restaurants, Residential, Retail etc.

Product Specification

| Ordering Code | Model Number | Product Description | Watts (W) | Replacement Filament | Base | Voltage (V) | Hour Rating | Beam Angle | Initial Lumens (lm) | CCT(K) | CRI | Wet LOC. | M.O.L. (inch) | Case QTY. |
|---------------|----------------|---------------------|-----------|----------------------|------|-------------|-------------|------------|---------------------|--------|-----|----------|---------------|-----------|
| 1771202 | AR-S14/1W/27/C | S14 1W 2700K Clear | 1 | 11W | E26 | 120 | 25,000 | 330° | 75 | 2700 | 80 | Y | 3.26 | 10/100 |
| 1771926 | AR-S14/1W/22/C | S14 1W 2200K Clear | 1 | 11W | E26 | 120 | 25,000 | 330° | 75 | 2200 | 80 | Y | 3.26 | 10/100 |

Warranty & Cautions

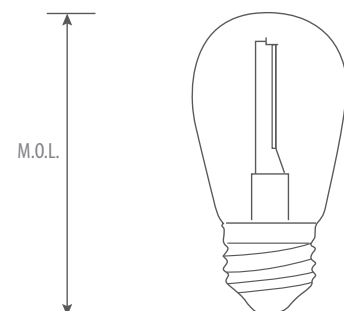
3-year limited warranty in commercial use from the date of purchase

Operating temperature range between -20°C and +40°C

Ordering Information Example: AR-S14/1W/27/C

| LED CLASS | LAMP TYPE | WATTAGE | CCT(K) | Glass Color |
|--------------|-----------|---------|--------------------------|-------------|
| AR (Artisan) | S14 | 1W | 27 (2700K) 22 (2200K) | C (Clear) |

Dimensional drawing





TUROSMT Wi-Fi A19 LED



Features & Benefits



Color Changing



Tunable White



Light Dimmable

"TuroSmart" App

GET IT ON Google Play

Download on the App Store

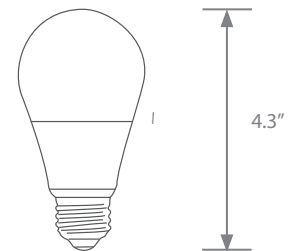


- Smart Control** Use TuroSmart app to control your light from anywhere you have internet access.
- Easy Dimming** No need to install a dimmer, our WiFi A19 LED easily dims to the desired light level.
- Tunable White** Independent from dimming, choose your white from 2700K to 5000K.
- Color Change** Tap on any light color from our full spectrum wheel to match your specific mood.
- Set a Schedule** Have your lights come on or off when you want.
- Use Your Voice** Activate using Amazon Alexa or Google Assistant.

2-year limited warranty

Temperature range between -40°C and +45°C

Dimensional drawing



Product Specification

| Model Number | Watts | Replacement Incandescent | Base | Voltage (V) | Hour Rating | Beam Angle | Initial Lumens(lm) | CCT(K) | CRI | Damp LOC. | M.O.L. (inch) |
|-------------------|-------|--------------------------|------|-------------|-------------|------------|--------------------|-----------|-----|-----------|---------------|
| SV-A19/10W/WIFI/D | 10 | 60W | E26 | 120 | 15,000 | 220° | 800 | 2700-5000 | 80 | Y | 4.3 |

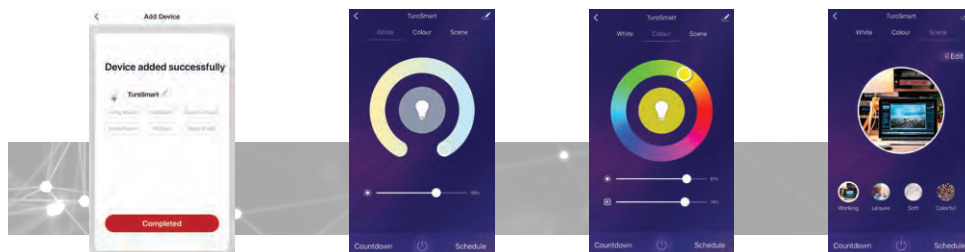
Using Guide

1. Download APP "TuroSmart" in "Apple Store" or "Google Play".
2. Install WiFi LED bulb in the fixture/ socket.
3. Switch on and off the bulb repeatedly until the bulb blinks, normally after 3 or 4 times. After the bulb blinks, it will enter the networking connection mode just in a few seconds.
4. Make your phone wifi connected, then open the APP "TuroSmart" and follow "Setup Guide" to set your smart lamp.

Wi-Fi Bulb Setup Guide



Bulb Setup Guide





LED LAMP

VIVID Series

DirectFit T5 Lamp



VIV-T5DFSP4



Features & Benefits

| | |
|--|---|
| DLC approved ¹ | Suitable for splash zones of food equipment |
| Direct Fit , Frost PET Film, ShatterProtect ² | 50,000 hour life (L70) |
| NSF/ANSI 2 Certified ³ | Fits into existing linear fixtures |
| Replaces T5 HO & T5 HE | Compatible with most program start ballast ⁴ |
| 180° Beam angle, High CRI (83+) | |

Dimensional drawing



Warranty & Cautions

5-year limited warranty for DLC listed lamps / 3-year limited warranty for non-DLC*

Bulb wall temperature range between -20°C and +45°C, Not recommended to use with ballast 5 years or older

*Please check the "Turolight LED Limited Warranty" for details

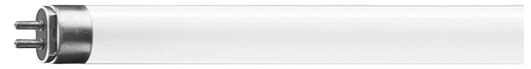
Product Specification

| Ordering Code | DLC | Model Number | Description | Wattage | | Base | Voltage (V) | Hour Rating | Beam Angle | Initial Lumen (lm) | CCT(K) | CRI | M.O.L. (inch) | Case QTY. |
|---------------|-----|---------------------------------|--|----------------|------------------|------|--------------|-------------|------------|--------------------|--------|-----|---------------|-----------|
| | | | | Lamp Power (W) | System Power (W) | | | | | | | | | |
| Replace T5 HO | | | | | | | | | | | | | | |
| 1762351 | - | VIV-T5DFSP4/9W/35/F (2FT HO) | Direct Fit 2ft 9W G5 35K Frost PET Film | 9 | 12 | G5 | 120-277, 347 | 50,000 | 180 | 1000 | 3500 | 83 | 22 | 25 |
| 1762848 | - | VIV-T5DFSP4/9W/40/F (2FT HO) | Direct Fit 2ft 9W G5 40K Frost PET Film | 9 | 12 | G5 | 120-277, 347 | 50,000 | 180 | 1000 | 4000 | 83 | 22 | 25 |
| 1762529 | - | VIV-T5DFSP4/9W/50/F (2FT HO) | Direct Fit 2ft 9W G5 50K Frost PET Film | 9 | 12 | G5 | 120-277, 347 | 50,000 | 180 | 1000 | 5000 | 83 | 22 | 25 |
| 1763314 | - | VIV-T5DFSP4/18W/35/F (3FT HO) | Direct Fit 3ft 18W G5 35K Frost PET Film | 18 | 21 | G5 | 120-277, 347 | 50,000 | 180 | 1700 | 3500 | 83 | 34 | 25 |
| 1763434 | - | VIV-T5DFSP4/18W/40/F (3FT HO) | Direct Fit 3ft 18W G5 40K Frost PET Film | 18 | 21 | G5 | 120-277, 347 | 50,000 | 180 | 1700 | 4000 | 83 | 34 | 25 |
| 1763513 | - | VIV-T5DFSP4/18W/50/F (3FT HO) | Direct Fit 3ft 18W G5 50K Frost PET Film | 18 | 21 | G5 | 120-277, 347 | 50,000 | 180 | 1700 | 5000 | 83 | 34 | 25 |
| 1754203 | Y | VIV-T5DFSP4/22.5W/30/F (4FT HO) | Direct Fit 4ft 22.5W G5 30K Frost DLC4.0 | 22.5 | 25.5 | G5 | 120-277, 347 | 50,000 | 180 | 3200 | 3000 | 83 | 46 | 25 |
| 1754303 | Y | VIV-T5DFSP4/22.5W/35/F (4FT HO) | Direct Fit 4ft 22.5W G5 35K Frost DLC4.0 | 22.5 | 25.5 | G5 | 120-277, 347 | 50,000 | 180 | 3300 | 3500 | 83 | 46 | 25 |
| 1754404 | Y | VIV-T5DFSP4/22.5W/40/F (4FT HO) | Direct Fit 4ft 22.5W G5 40K Frost DLC4.0 | 22.5 | 25.5 | G5 | 120-277, 347 | 50,000 | 180 | 3200 | 4000 | 83 | 46 | 25 |
| 1754502 | Y | VIV-T5DFSP4/22.5W/50/F (4FT HO) | Direct Fit 4ft 22.5W G5 50K Frost DLC4.0 | 22.5 | 25.5 | G5 | 120-277, 347 | 50,000 | 180 | 3300 | 5000 | 83 | 46 | 25 |
| Replace T5 HE | | | | | | | | | | | | | | |
| 1762352 | - | VIV-T5DFSP4/6W/35/F | Direct Fit 2ft 6W G5 35K Frost PET Film | 6 | 9 | G5 | 120-277, 347 | 50,000 | 180 | 900 | 3500 | 83 | 22 | 25 |
| 1762849 | - | VIV-T5DFSP4/6W/40/F | Direct Fit 2ft 6W G5 40K Frost PET Film | 6 | 9 | G5 | 120-277, 347 | 50,000 | 180 | 950 | 4000 | 83 | 22 | 25 |
| 1762530 | - | VIV-T5DFSP4/6W/50/F | Direct Fit 2ft 6W G5 50K Frost PET Film | 6 | 9 | G5 | 120-277, 347 | 50,000 | 180 | 1000 | 5000 | 83 | 22 | 25 |
| 1762353 | - | VIV-T5DFSP4/9W/35/F/3FT | Direct Fit 3ft 9W G5 35K Frost PET Film | 9 | 12 | G5 | 120-277, 347 | 50,000 | 180 | 1050 | 3500 | 83 | 34 | 25 |
| 1762850 | - | VIV-T5DFSP4/9W/40/F/3FT | Direct Fit 3ft 9W G5 40K Frost PET Film | 9 | 12 | G5 | 120-277, 347 | 50,000 | 180 | 1200 | 4000 | 83 | 34 | 25 |
| 1762531 | - | VIV-T5DFSP4/9W/50/F/3FT | Direct Fit 3ft 9W G5 50K Frost PET Film | 9 | 12 | G5 | 120-277, 347 | 50,000 | 180 | 1300 | 5000 | 83 | 34 | 25 |
| 1762793 | Y | VIV-T5DFSP4/13W/30/F | Direct Fit 4ft 13W G5 30K Frost PET Film | 13 | 16 | G5 | 120-277, 347 | 50,000 | 180 | 1800 | 3000 | 83 | 46 | 25 |
| 1762354 | Y | VIV-T5DFSP4/13W/35/F | Direct Fit 4ft 13W G5 35K Frost PET Film | 13 | 16 | G5 | 120-277, 347 | 50,000 | 180 | 1800 | 3500 | 83 | 46 | 25 |
| 1762851 | Y | VIV-T5DFSP4/13W/40/F | Direct Fit 4ft 13W G5 40K Frost PET Film | 13 | 16 | G5 | 120-277, 347 | 50,000 | 180 | 1850 | 4000 | 83 | 46 | 25 |
| 1762532 | Y | VIV-T5DFSP4/13W/50/F | Direct Fit 4ft 13W G5 50K Frost PET Film | 13 | 16 | G5 | 120-277, 347 | 50,000 | 180 | 1900 | 5000 | 83 | 46 | 25 |



LED LAMP

VIVID Series



VIV-T5DF4



Features & Benefits

| | |
|---|---|
| DLC approved | NSF/ANSI 2 Certified ¹ |
| All glass construction , aluminium end caps | Suitable for splash zones of food equipment |
| 50,000 hour life (L70) | Fits into existing linear fixtures |
| 220° Beam angle, High CRI (83+) | Compatible with most program start ballast ² |
| Replaces T5 HO & T5 HE | ¹ Need to work with NSF certified lighting fixtures ² Contact your sales person or check www.turolight.com for ballast compatibility list |

Dimensional drawing



Warranty & Cautions

- 5-year limited warranty for DLC listed lamps
- Bulb wall temperature range between -20°C and +45°C
- Not recommended to use with ballast 5 years or older

Product Specification

| Ordering Code | DLC | Model Number | Description | Wattage | | Base | Voltage (V) | Hour Rating | Beam Angle | Initial Lumen (lm) | CCT(K) | CRI | M.O.L. (inch) | Case QTY. |
|---------------|-----|--------------------|------------------------------------|----------------|------------------|------|--------------|-------------|------------|--------------------|--------|-----|---------------|-----------|
| | | | | Lamp Power (W) | System Power (W) | | | | | | | | | |
| 1764212 | Y | VIV-T5DF4/25W/30/F | T5 Direct Fit 4ft 25W G5 30K Frost | 25 | 28 | G5 | 120-277, 347 | 50,000 | 220 | 3150 | 3000 | 83 | 46 | 25 |
| 1764307 | Y | VIV-T5DF4/25W/35/F | T5 Direct Fit 4ft 25W G5 35K Frost | 25 | 28 | G5 | 120-277, 347 | 50,000 | 220 | 3150 | 3500 | 83 | 46 | 25 |
| 1764410 | Y | VIV-T5DF4/25W/40/F | T5 Direct Fit 4ft 25W G5 40K Frost | 25 | 28 | G5 | 120-277, 347 | 50,000 | 220 | 3200 | 4000 | 83 | 46 | 25 |
| 1764509 | Y | VIV-T5DF4/25W/50/F | T5 Direct Fit 4ft 25W G5 50K Frost | 25 | 28 | G5 | 120-277, 347 | 50,000 | 220 | 3300 | 5000 | 83 | 46 | 25 |
| 1762022 | Y | VIV-T5DF4/13W/30/F | T5 Direct Fit 4ft 13W G5 30K Frost | 13 | 16 | G5 | 120-277, 347 | 50,000 | 220 | 1800 | 3000 | 83 | 46 | 25 |
| 1762366 | Y | VIV-T5DF4/13W/35/F | T5 Direct Fit 4ft 13W G5 35K Frost | 13 | 16 | G5 | 120-277, 347 | 50,000 | 220 | 1800 | 3500 | 83 | 46 | 25 |
| 1762888 | Y | VIV-T5DF4/13W/40/F | T5 Direct Fit 4ft 13W G5 40K Frost | 13 | 16 | G5 | 120-277, 347 | 50,000 | 220 | 1850 | 4000 | 83 | 46 | 25 |
| 1762552 | Y | VIV-T5DF4/13W/50/F | T5 Direct Fit 4ft 13W G5 50K Frost | 13 | 16 | G5 | 120-277, 347 | 50,000 | 220 | 1900 | 5000 | 83 | 46 | 25 |

Ordering Information Example: VIV-T5DF4/25W/30/F

| LED CLASS | LAMP TYPE | DIRECT FIT | WATTAGE | CCT(K) | FROST |
|----------------|-----------|--|------------|--|-----------|
| VIV (Vivid) | T5 | DF4 (Direct Fit, 4 th version) | 13W 25W | 30 (3000K) 35 (3500K) 40 (4000K) 50 (5000K) | F (Frost) |



LED LAMP

VIVID Series

Bypass T5 Lamp



VIV-T5BPSP4



Features & Benefits

| | |
|--|--|
| DLC approved, Frost PET Film, Shatter Protect ¹ | 120-277V & 347V*, 50000 hour life (L70) |
| External ballast not required | NSF/ANSI 2 certified** |
| Double-ended installation | Suitable for splash zones of food equipment |
| Surge protection | Our safety features allow for installation as well as misapplication protection ² |
| Replaces T5 HO & T5 HE | |
| 180° Beam angle, High CRI (83+) | |

Dimensional drawing



¹ ShatterProtect utilizes PET film to reduce the unexpected risk of shattering
^{*}For applicable models, see product specification below
^{**}Need to work with NSF certified lighting fixtures
²Contact your local Turolight representative for detail

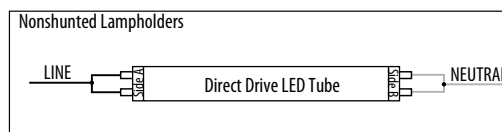
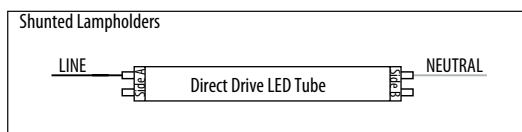
Warranty & Cautions

5-year limited warranty for DLC listed lamps
 Operating temperature range between -20°C and +45°C

Product Specification

| Ordering Code | DLC | Model Number | Wattage (W) | Voltage (V) | Base | Hour Rating | Beam Angle | Initial Lumen (lm) | CCT(K) | CRI | M.O.L. (inch) | Case QTY. |
|------------------------|-----|------------------------------------|-------------|-------------|------|-------------|------------|--------------------|--------|-----|---------------|-----------|
| Replace T5 HO 120-277V | | | | | | | | | | | | |
| 1754200 | Y | VIV-T5BPSP4/25W/30/F (4FT HO) | 25 | 120-277 | G5 | 50,000 | 180 | 3200 | 3000 | 83 | 46 | 25 |
| 1754300 | Y | VIV-T5BPSP4/25W/35/F (4FT HO) | 25 | 120-277 | G5 | 50,000 | 180 | 3200 | 3500 | 83 | 46 | 25 |
| 1754402 | Y | VIV-T5BPSP4/25W/40/F (4FT HO) | 25 | 120-277 | G5 | 50,000 | 180 | 3300 | 4000 | 83 | 46 | 25 |
| 1754500 | Y | VIV-T5BPSP4/25W/50/F (4FT HO) | 25 | 120-277 | G5 | 50,000 | 180 | 3400 | 5000 | 83 | 46 | 25 |
| Replace T5 HO 347V | | | | | | | | | | | | |
| 1754201 | Y | VIV-T5BPSP4/25W/30/F/347V (4FT HO) | 25 | 347 | G5 | 50,000 | 180 | 3200 | 3000 | 83 | 46 | 25 |
| 1754301 | Y | VIV-T5BPSP4/25W/35/F/347V (4FT HO) | 25 | 347 | G5 | 50,000 | 180 | 3200 | 3500 | 83 | 46 | 25 |
| 1754403 | Y | VIV-T5BPSP4/25W/40/F/347V (4FT HO) | 25 | 347 | G5 | 50,000 | 180 | 3300 | 4000 | 83 | 46 | 25 |
| 1754501 | Y | VIV-T5BPSP4/25W/50/F/347V (4FT HO) | 25 | 347 | G5 | 50,000 | 180 | 3400 | 5000 | 83 | 46 | 25 |
| Replace T5 HE | | | | | | | | | | | | |
| 1752216 | Y | VIV-T5BPSP4/13W/30/F (4FT HE) | 13 | 120-277 | G5 | 50,000 | 180 | 1600 | 3000 | 83 | 46 | 25 |
| 1752305 | Y | VIV-T5BPSP4/13W/35/F (4FT HE) | 13 | 120-277 | G5 | 50,000 | 180 | 1600 | 3500 | 83 | 46 | 25 |
| 1752413 | Y | VIV-T5BPSP4/13W/40/F (4FT HE) | 13 | 120-277 | G5 | 50,000 | 180 | 1650 | 4000 | 83 | 46 | 25 |
| 1752509 | Y | VIV-T5BPSP4/13W/50/F (4FT HE) | 13 | 120-277 | G5 | 50,000 | 180 | 1700 | 5000 | 83 | 46 | 25 |

Double-ended Wiring





T8DFSP/N
High-transmittance nano-plastic, Shatterproof
No bending under high temperature

T8DFSP4
Plastic end caps, glass tube with PET cover, PET film
ShatterProtect⁴

Single Pin base, 8 ft length, PET film, ShatterProtect⁴

T8DF4/ T8DF2
All glass construction , aluminium end caps (Linear)
Plastic body and end caps (U-Bend)



LED LAMP

VIVID Series

DirectFit T8 Lamp

VIV-T8DFSP/N, VIV-T8DFSP4
VIV-T8DF4, VIV-T8DF2

Features & Benefits

DLC approved, 50,000 hour life (L70), High CRI (83+)

NSF/ANSI 2 Certified¹ (T8DFSP4)
ETL Sanitation Certified² (T8DFSP/N)

Beam angle
220° (T8DF4, T8DF2), 180° (T8DFSP4), 160° (T8DFSP/N)

Direct replacement for T8 linear fluorescent

Fits into existing linear fixtures

Compatible with most Instant Start Ballast³ with input voltage of 120-277V and 347V

¹Need to work with NSF certified lighting fixtures
²Need to work with ETL Sanitation certified lighting fixtures
³For detail, you may contact your sales person or check www.turolight.com for ballast compatibility list
⁴ShatterProtect utilizes PET film to reduce the unexpected risk of shattering

Warranty & Cautions

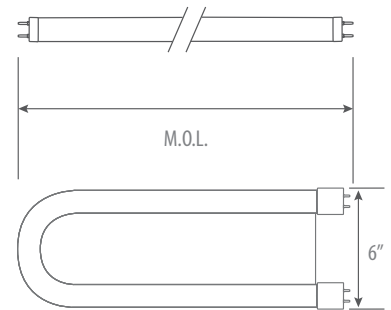
5-year limited warranty for DLC listed lamps / 3-year limited warranty for non-DLC*

Bulb wall temperature range between -20°C and +45°C

Not recommended to use with ballast 5 years or older

*Please check the "Turolight LED Limited Warranty" for details

Dimensional drawing



Product Specification

| Ordering Code | DLC | Model Number | Nominal Lamp Power (Watts) | System Power (Watts) | | | Initial Lumen (lm) | | | Base | Voltage (V) | Hour Rating | Beam Angle | CCT(K) | CRI | M.O.L. (inch) | Case QTY. |
|-----------------|-----|--------------------------|----------------------------|----------------------|------------------|----------------|--------------------|------------------|----------------|------|--------------|-------------|------------|--------|-----|---------------|-----------|
| | | | | Low BF (0.78) | Normal BF (0.88) | High BF (1.16) | Low BF (0.78) | Normal BF (0.88) | High BF (1.16) | | | | | | | | |
| T8DFSP/N (NANO) | | | | | | | | | | | | | | | | | |
| 1762023 | Y | VIV-T8DFSP/N/15W/30/F | 15 | 15 | 18 | 24 | 1700 | 2100 | 2800 | G13 | 120-277, 347 | 50,000 | 160 | 3000 | 83 | 48 | 25 |
| 1762367 | Y | VIV-T8DFSP/N/15W/35/F | 15 | 15 | 18 | 24 | 1700 | 2100 | 2800 | G13 | 120-277, 347 | 50,000 | 160 | 3500 | 83 | 48 | 25 |
| 1762884 | Y | VIV-T8DFSP/N/15W/40/F | 15 | 15 | 18 | 24 | 1800 | 2200 | 2900 | G13 | 120-277, 347 | 50,000 | 160 | 4000 | 83 | 48 | 25 |
| 1762555 | Y | VIV-T8DFSP/N/15W/50/F | 15 | 15 | 18 | 24 | 1800 | 2200 | 2900 | G13 | 120-277, 347 | 50,000 | 160 | 5000 | 83 | 48 | 25 |
| T8DFSP4 | | | | | | | | | | | | | | | | | |
| 1762867 | Y | VIV-T8DFSP4/9W/40/F | 9 | 9 | 12 | 17 | 950 | 1350 | 2050 | G13 | 120-277, 347 | 50,000 | 180 | 4000 | 83 | 24 | 25 |
| 1762543 | Y | VIV-T8DFSP4/9W/50/F | 9 | 9 | 12 | 17 | 1000 | 1400 | 2100 | G13 | 120-277, 347 | 50,000 | 180 | 5000 | 83 | 24 | 25 |
| 1762735 | Y | VIV-T8DFSP4/13W/30/F | 13 | 13 | 16 | 22 | 1400 | 1800 | 2500 | G13 | 120-277, 347 | 50,000 | 180 | 3000 | 83 | 48 | 25 |
| 1762339 | Y | VIV-T8DFSP4/13W/35/F | 13 | 13 | 16 | 22 | 1450 | 1850 | 2550 | G13 | 120-277, 347 | 50,000 | 180 | 3500 | 83 | 48 | 25 |
| 1762822 | Y | VIV-T8DFSP4/13W/40/F | 13 | 13 | 16 | 22 | 1500 | 1900 | 2600 | G13 | 120-277, 347 | 50,000 | 180 | 4000 | 83 | 48 | 25 |
| 1762524 | Y | VIV-T8DFSP4/13W/50/F | 13 | 13 | 16 | 22 | 1600 | 2000 | 2700 | G13 | 120-277, 347 | 50,000 | 180 | 5000 | 83 | 48 | 25 |
| 1762736 | Y | VIV-T8DFSP4/15W/30/F | 15 | 15 | 18 | 28 | 1700 | 2100 | 2800 | G13 | 120-277, 347 | 50,000 | 180 | 3000 | 83 | 48 | 25 |
| 1762340 | Y | VIV-T8DFSP4/15W/35/F | 15 | 15 | 18 | 28 | 1700 | 2100 | 2800 | G13 | 120-277, 347 | 50,000 | 180 | 3500 | 83 | 48 | 25 |
| 1762823 | Y | VIV-T8DFSP4/15W/40/F | 15 | 15 | 18 | 28 | 1800 | 2200 | 2900 | G13 | 120-277, 347 | 50,000 | 180 | 4000 | 83 | 48 | 25 |
| 1762525 | Y | VIV-T8DFSP4/15W/50/F | 15 | 15 | 18 | 28 | 1800 | 2200 | 2900 | G13 | 120-277, 347 | 50,000 | 180 | 5000 | 83 | 48 | 25 |
| 1763439 | - | VIV-T8DFSP4/20W/40/F/5FT | 20 | 20 | 23 | 30 | 1800 | 2200 | 2900 | G13 | 120-277, 347 | 50,000 | 180 | 4000 | 83 | 60 | 25 |
| 1763517 | - | VIV-T8DFSP4/20W/50/F/5FT | 20 | 20 | 23 | 30 | 1900 | 2300 | 3000 | G13 | 120-277, 347 | 50,000 | 180 | 5000 | 83 | 60 | 25 |



VIV-T8DFSP/N , VIV-T8DFSP4, VIV-T8DF4, VIV-T8DF2

| Ordering Code | DLC | Model Number | Nominal Lamp Power (Watts) | System Power (Watts) | | | Initial Lumen (lm) | | | Base | Voltage (V) | Hour Rating | Beam Angle | CCT(K) | CRI | M.O.L. (inch) | Case QTY. |
|-------------------------|-----|------------------------|----------------------------|----------------------|------------------|----------------|--------------------|------------------|----------------|------------|--------------|-------------|------------|--------|-----|---------------|-----------|
| | | | | Low BF (0.78) | Normal BF (0.88) | High BF (1.16) | Low BF (0.78) | Normal BF (0.88) | High BF (1.16) | | | | | | | | |
| T8DF4/ T8DF2 Linear | | | | | | | | | | | | | | | | | |
| 1762024 | Y | VIV-T8DF4/11W/30/F/3FT | 11 | 11 | 14 | 20 | 1200 | 1600 | 2300 | G13 | 120-277, 347 | 50,000 | 220 | 3000 | 83 | 36 | 25 |
| 1762368 | Y | VIV-T8DF4/11W/35/F/3FT | 11 | 11 | 14 | 20 | 1200 | 1600 | 2300 | G13 | 120-277, 347 | 50,000 | 220 | 3500 | 83 | 36 | 25 |
| 1762889 | Y | VIV-T8DF4/11W/40/F/3FT | 11 | 11 | 14 | 20 | 1250 | 1650 | 2350 | G13 | 120-277, 347 | 50,000 | 220 | 4000 | 83 | 36 | 25 |
| 1762554 | Y | VIV-T8DF4/11W/50/F/3FT | 11 | 11 | 14 | 20 | 1250 | 1650 | 2350 | G13 | 120-277, 347 | 50,000 | 220 | 5000 | 83 | 36 | 25 |
| 1752408 | Y | VIV-T8DF4/11.5W/40/F | 11.5 | 11.5 | 14.5 | 20.5 | 1400 | 1800 | 2500 | G13 | 120-277, 347 | 50,000 | 220 | 4000 | 83 | 48 | 25 |
| 1752505 | Y | VIV-T8DF4/11.5W/50/F | 11.5 | 11.5 | 14.5 | 20.5 | 1430 | 1830 | 2530 | G13 | 120-277, 347 | 50,000 | 220 | 5000 | 83 | 48 | 25 |
| 1762025 | Y | VIV-T8DF2/13W/30/F | 13 | 13 | 16 | 22 | 1400 | 1800 | 2500 | G13 | 120-277, 347 | 50,000 | 220 | 3000 | 83 | 48 | 25 |
| 1762369 | Y | VIV-T8DF2/13W/35/F | 13 | 13 | 16 | 22 | 1400 | 1800 | 2500 | G13 | 120-277, 347 | 50,000 | 220 | 3500 | 83 | 48 | 25 |
| 1762876 | Y | VIV-T8DF2/13W/40/F | 13 | 13 | 16 | 22 | 1400 | 1800 | 2500 | G13 | 120-277, 347 | 50,000 | 220 | 4000 | 83 | 48 | 25 |
| 1762545 | Y | VIV-T8DF2/13W/50/F | 13 | 13 | 16 | 22 | 1500 | 1900 | 2600 | G13 | 120-277, 347 | 50,000 | 220 | 5000 | 83 | 48 | 25 |
| T8DFSP4 Single Pin, 8ft | | | | | | | | | | | | | | | | | |
| 1764213 | Y | VIV-T8DFSP4/24W/30/F | 24 | 24 | 27 | 30 | 2900 | 3300 | 4000 | Single Pin | 120-277, 347 | 50,000 | 180 | 3000 | 83 | 96 | 8 |
| 1764308 | Y | VIV-T8DFSP4/24W/35/F | 24 | 24 | 27 | 30 | 3000 | 3400 | 4100 | Single Pin | 120-277, 347 | 50,000 | 180 | 3500 | 83 | 96 | 8 |
| 1764413 | Y | VIV-T8DFSP4/24W/40/F | 24 | 24 | 27 | 30 | 3100 | 3500 | 4200 | Single Pin | 120-277, 347 | 50,000 | 180 | 4000 | 83 | 96 | 8 |
| 1764512 | Y | VIV-T8DFSP4/24W/50/F | 24 | 24 | 27 | 30 | 3100 | 3500 | 4200 | Single Pin | 120-277, 347 | 50,000 | 180 | 5000 | 83 | 96 | 8 |
| T8DF4/ T8DF2 Linear | | | | | | | | | | | | | | | | | |
| 1762783 | Y | VIV-T8DF4/U/13W/30/F | 13 | 13 | 16 | 22 | 1400 | 1800 | 2500 | G13 | 120-277, 347 | 50,000 | 220 | 3000 | 83 | 24 | 24 |
| 1762363 | Y | VIV-T8DF4/U/13W/35/F | 13 | 13 | 16 | 22 | 1400 | 1800 | 2500 | G13 | 120-277, 347 | 50,000 | 220 | 3500 | 83 | 24 | 24 |
| 1762865 | Y | VIV-T8DF4/U/13W/40/F | 13 | 13 | 16 | 22 | 1450 | 1850 | 2550 | G13 | 120-277, 347 | 50,000 | 220 | 4000 | 83 | 24 | 24 |
| 1762540 | Y | VIV-T8DF4/U/13W/50/F | 13 | 13 | 16 | 22 | 1500 | 1900 | 2600 | G13 | 120-277, 347 | 50,000 | 220 | 5000 | 83 | 24 | 24 |

T8DF4

Plastic body and end caps (U-Bend)



Ordering Information Example: VIV-T8DFSP4/20W/35/F/5FT

| LED CLASS | LAMP TYPE | WATTAGE | CCT(K) | FROST | OTHER |
|-------------|---|--|--|-----------|------------|
| VIV (Vivid) | T8DFSP/N (Direct Fit, Shatterproof, Nano) T8DFSP4 (Direct Fit, PET film) T8DF4 (Direct Fit) T8DF2 (Direct Fit) | 15W 20W,15W,13W, 9W 13W,11.5W,11W 13W | 50 (5000K) 40 (4000K) 35 (3500K) 30 (3000K) | F (Frost) | U (U-Bend) |



LED LAMP

VIVID Series



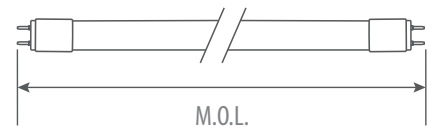
VIV-T8DFSP4 (Metric)



Features & Benefits

| | |
|---|---|
| High lumen efficiency | NSF/ANSI 2 Certified ¹ |
| Metric size 46" | Suitable for splash zones of food equipment |
| Plastic end caps, glass tube with PET cover | Fits into existing linear fixtures |
| 50,000 hour life (L70), 180° Beam angle, High CRI (83+) | Compatible with most Instant Start Ballast ² with input voltage of 120-277V and 347V |
| Direct replacement for T8 linear fluorescent | |

Dimensional drawing



Warranty & Cautions

5-year limited warranty for DLC listed lamps*

Bulb wall temperature range between -20°C and +45°C

Not recommended to use with ballast 5 years or older

*Please check the "Turolight LED Limited Warranty" for details
 FCC Note: This device complies with Part 18 of the FCC Rules.

¹Need to work with NSF certified lighting fixtures
²For detail, you may contact your sales person or check www.turolight.com for ballast compatibility list

Product Specification

| Ordering Code | Model Number | Nominal Lamp Power (Watts) | System Power (Watts) | | | Initial Lumen (lm) | | | Base | Voltage (V) | Hour Rating | Beam Angle | CCT(K) | CRI | M.O.L. (inch) | Case QTY. |
|---------------|------------------------------|----------------------------|----------------------|------------------|----------------|--------------------|------------------|----------------|------|--------------|-------------|------------|--------|-----|---------------|-----------|
| | | | Low BF (0.78) | Normal BF (0.88) | High BF (1.16) | Low BF (0.78) | Normal BF (0.88) | High BF (1.16) | | | | | | | | |
| 1752407 | VIV-T8DFSP4/15W/40/F/M (46") | 15 | 15 | 18 | 24 | 1500 | 1900 | 2600 | G13 | 120-277, 347 | 50,000 | 180 | 4000 | 83 | 46 | 25 |
| 1752503 | VIV-T8DFSP4/15W/50/F/M (46") | 15 | 15 | 18 | 24 | 1600 | 2000 | 2700 | G13 | 120-277, 347 | 50,000 | 180 | 5000 | 83 | 46 | 25 |

Ordering Information Example: VIV-T8DFSP4/15W/40/F/M

| LED CLASS | LAMP TYPE | DIRECT FIT | WATTAGE | CCT(K) | FROST | SIZE |
|-------------|-----------|----------------------------------|---------|--------------------------|-----------|----------------------|
| VIV (Vivid) | T8 | DFSP4 (Direct Fit, Shatterproof) | 15W | 40 (4000K) 50 (5000K) | F (Frost) | M (Metric Size, 46") |



Hybrid (Electronic Ballast Compatible / Ballast Bypass)

Hybrid LED tubes are able to work with any existing lighting technology, whether it has an electronic ballast or ballast bypass.

LED LAMP
VIVID Series



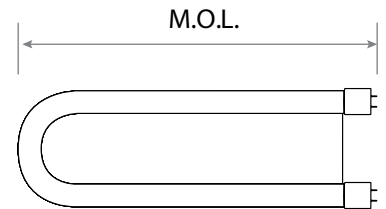
VIV-T8HY/U1, VIV-T8HY/U6

Features & Benefits

| | |
|---|--|
| DLC approved, replaces fluorescent U1/ U6 lamps | 50,000 hour life, 180° Beam angle, High CRI (83+) |
| One solution for both Direct Fit and Bypass options | PC tube safe for splash zones of food equipment |
| Direct Fit, compatible with most Instant Start Ballast & Rapid Start Ballast ¹ | IP20, suitable for damp location |
| Bypass, works for both single and double ended wiring options | Fits into existing linear fixtures, no socket changes. |

¹ For detail, you may contact your sales person or check www.turolight.com for ballast compatibility list

Dimensional drawing



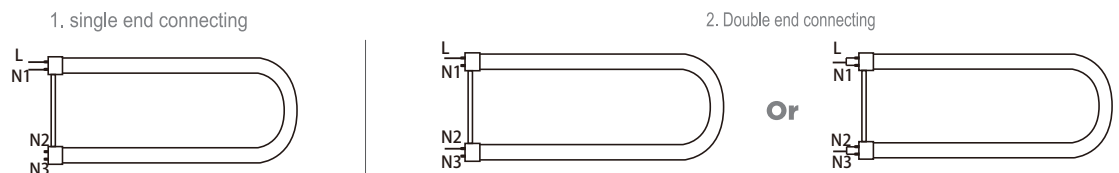
Warranty & Cautions

5-year limited warranty for DLC listed lamps
Bulb wall temperature range between -20°C and +45°C

Product Specification

| Ordering Code | DLC | Model Number | Description | Lamp Power (Bypass W) | System Power (Ballast W) | Initial Lumen (lm) | Base | Voltage (V) | Hour Rating | Beam Angle | CCT(K) | CRI | M.O.L. (inch) | Case QTY. |
|---------------|-----|-----------------------|---|-----------------------|--------------------------|--------------------|------|-------------|-------------|------------|--------|-----|---------------|-----------|
| 1752416 | Y | VIV-T8HY/U6/13W/30/F | LED T8 U6 Hybrid 13W 3000K 50000hrs G13 DLC | 13 | 16 | 1900 | G13 | 120-277 | 50,000 | 180 | 3000 | 83 | 24 | 24 |
| 1752511 | Y | VIV-T8HY/U6/13W/35/F | LED T8 U6 Hybrid 13W 3500K 50000hrs G13 DLC | 13 | 16 | 2000 | G13 | 120-277 | 50,000 | 180 | 3500 | 83 | 24 | 24 |
| 1752416 | Y | VIV-T8HY/U6/13W/40/F | LED T8 U6 Hybrid 13W 4000K 50000hrs G13 DLC | 13 | 16 | 1900 | G13 | 120-277 | 50,000 | 180 | 4000 | 83 | 24 | 24 |
| 1752511 | Y | VIV-T8HY/U6/13W/50/F | LED T8 U6 Hybrid 13W 5000K 50000hrs G13 DLC | 13 | 16 | 2000 | G13 | 120-277 | 50,000 | 180 | 5000 | 83 | 24 | 24 |
| 1752213 | Y | VIV-T8HY/U1/13W/30/F | LED T8 U1 Hybrid 13W 3000K 50000hrs G13 DLC | 13 | 16 | 1800 | G13 | 120-277 | 50,000 | 180 | 3000 | 83 | 22.4 | 24 |
| 1752302 | Y | VIV-T8HY/U1/13W/35/F | LED T8 U1 Hybrid 13W 3500K 50000hrs G13 DLC | 13 | 16 | 1800 | G13 | 120-277 | 50,000 | 180 | 3500 | 83 | 22.4 | 24 |
| 1752411 | Y | VIV-T8HY/U1/13W/40/F | LED T8 U1 Hybrid 13W 4000K 50000hrs G13 DLC | 13 | 16 | 1900 | G13 | 120-277 | 50,000 | 180 | 4000 | 83 | 22.4 | 24 |
| 1752507 | Y | VIV-T8HY4/U1/13W/50/F | LED T8 U1 Hybrid 13W 5000K 50000hrs G13 DLC | 13 | 16 | 2000 | G13 | 120-277 | 50,000 | 180 | 5000 | 83 | 22.4 | 24 |

Bypass Wiring Diagram



Ordering Information Example: VIV-T8HY/U1/13W/30/F

| LED CLASS | LAMP TYPE | HYBRID | SHAPE | WATTAGE | CCT(K) | FROST |
|-------------|-----------|-------------|----------------------------------|---------|--|-----------|
| VIV (Vivid) | T8 | HY (Hybrid) | U1 (U1 U-bend) U6 (U6 U-bend) | 13W | 30 (3000K) 35 (3500K) 40 (4000K) 50 (5000K) | F (Frost) |



Turolight Flicker-free LED tubes provide perfect light that does not cause headaches or eyestrains, it improves your concentration and productivity for your maximum performance.

VIV-T8BPSP4/FF



Features & Benefits

- Percent flicker is significantly decreased to only 5%*
- DLC approved, PET film, ShatterProtect¹
- Ballast Bypass (no ballast required)
- 50,000 hour life (L70), 180° Beam angle, High CRI (82+)
- Both Double-ended and Single-ended applicable installation

¹ShatterProtect utilizes PET film to reduce the unexpected risk of shattering
²Need to work with NSF certified lighting fixtures

- 48" length
- NSF/ANSI 2 Certified²
- Suitable for splash zones of food equipment
- Use existing lamp holders (non-shunted or shunted)
- Our safety features allow for installation as well as misapplication protection³

³Contact your local Turolight representative for detail

Dimensional drawing



Warranty & Cautions

- 5-year limited warranty
- Bulb wall temperature range between -20°C and +45°C

Applications

Suitable for offices, classrooms, and other commercial and educational applications

Product Specification

| Ordering Code | DLC | Model Number | Description | Watts (W) | Voltage (V) | Initial Lumen (lm) | Base | Hour Rating | Beam Angle | CCT(K) | CRI | M.O.L. (inch) | Case QTY. |
|---------------|-----|------------------------------|---|-----------|-------------|--------------------|------|-------------|------------|--------|-----|---------------|-----------|
| 1752404 | Y | VIV-T8BPSP4/FF/10.5W/40/F/DE | Flicker-free, Bypass 4ft 10.5W G13 40K Frost PET film | 10.5 | 120-277 | 1700 | G13 | 50,000 | 180 | 4000 | 82 | 48 | 25 |

Other CCT is also available to be ordered

*Flicker exists in most light sources, but with varying levels. For LED Type B tubes, it all comes down to the driver. Our unique driver design ensures the minimal level of flicker, so that provides high-quality light for maximum eye comfort and performance.

Ordering Information Example: VIV-T8BPSP4/FF/10.5W/40/F/DE

| LED CLASS | LAMP TYPE | BYPASS, SHATTERPROOF | FLICKER | WATTAGE | CCT(K) | FROST | INSTALLATION |
|-------------|-----------|--------------------------|-------------------|---------|------------|-----------|----------------------------|
| VIV (Vivid) | T8 | BPSP4 (Bypass, PET film) | FF (Flicker-free) | 10.5W | 40 (4000K) | F (Frost) | DE (Single & Double-ended) |



LED LAMP

VIVID Series

Bypass T8 Lamp



VIV-T8BPSP4, VIV-T8BP4 (Double-ended & Single-ended) VIV-T8BPSP/Dim (Single-ended)



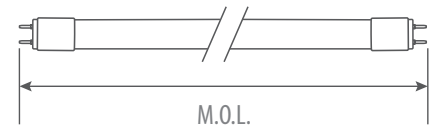
Features & Benefits

- DLC approved, Dimmable*, PET film, ShatterProtect¹
- External ballast not required
- Both Double-ended and Single-ended applicable installation (only single-ended for VIV-T8BPSP/Dim)
- Our safety features allow for installation as well as misapplication protection²

- High CRI (82+), 50,000 hour life (L70)
- NSF/ANSI 2 certified** (except T8BP4/15W)
- Use existing lamp holders (non-shunted or shunted)
- Suitable for splash zones of food equipment

¹For applicable models, see product specification below
²ShatterProtect utilizes PET film to reduce the unexpected risk of shattering
³Contact your local Turolight representative for detail

Dimensional drawing



Warranty & Cautions

- 5-year limited warranty
- Operating temperature range between -20°C and +45°C
- UL/cUL listed, RoHS compliant

** Need to work with NSF certified lighting fixtures.

Ordering Information Example: VIV-T8BPSP4/18W/30/F/DE/3FT

| LED CLASS | LAMP TYPE | Bypass, Shatterproof | WATTAGE | CCT(K) | FROST | INSTALLATION | INPUT VOLTAGE | LENGTH |
|-------------|-----------|---|-----------------------------|--|-------|-------------------------------|--------------------------|---------------------------------|
| VIV (Vivid) | T8 | BPSP4 (Bypass, PET film, 4 th Version) BP4 (Bypass, 4 th Version) BPSP (Bypass, PET film, Dimmable) | 18W,15W 12W, 10.5W 9W | 30 (3000K) 35 (3500K) 40 (4000K) 50 (5000K) | F | DE (Single & Double-ended) | Blank (120-277V) 347V | Blank (48"/ 24"9W) 3FT (36") |

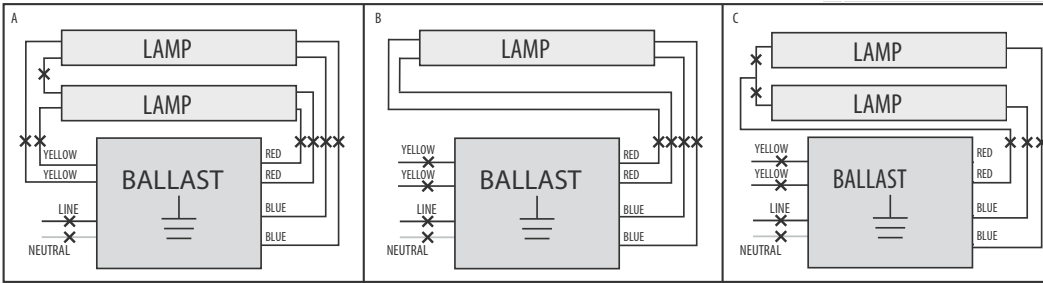
Product Specification

| Ordering Code | DLC | Model Number | Watts (W) | Voltage (V) | Initial Lumen (lm) | Base | Hour Rating | Beam Angle | CCT(K) | CRI | M.O.L. (inch) | Case QTY. |
|---------------|-----|------------------------------|-----------|-------------|--------------------|------|-------------|------------|--------|-----|---------------|-----------|
| 1752206 | Y | VIV-T8BPSP4/15W/30/F/DE/347V | 15 | 347 | 2000 | G13 | 50,000 | 180° | 3000 | 82 | 48 | 25 |
| 1752302 | Y | VIV-T8BPSP4/15W/35/F/DE/347V | 15 | 347 | 2050 | G13 | 50,000 | 180° | 3500 | 82 | 48 | 25 |
| 1752400 | Y | VIV-T8BPSP4/15W/40/F/DE/347V | 15 | 347 | 2200 | G13 | 50,000 | 180° | 4000 | 82 | 48 | 25 |
| 1752500 | Y | VIV-T8BPSP4/15W/50/F/DE/347V | 15 | 347 | 2200 | G13 | 50,000 | 180° | 5000 | 82 | 48 | 25 |
| 1762037 | Y | VIV-T8BPSP4/10.5W/30/F/DE | 10.5 | 120-277 | 1600 | G13 | 50,000 | 180° | 3000 | 82 | 48 | 25 |
| 1762372 | Y | VIV-T8BPSP4/10.5W/35/F/DE | 10.5 | 120-277 | 1600 | G13 | 50,000 | 180° | 3500 | 82 | 48 | 25 |
| 1762893 | Y | VIV-T8BPSP4/10.5W/40/F/DE | 10.5 | 120-277 | 1700 | G13 | 50,000 | 180° | 4000 | 82 | 48 | 25 |
| 1762558 | Y | VIV-T8BPSP4/10.5W/50/F/DE | 10.5 | 120-277 | 1700 | G13 | 50,000 | 180° | 5000 | 82 | 48 | 25 |
| 1752205 | Y | VIV-T8BPSP4/9W/30/F/DE (2FT) | 9 | 120-277 | 1200 | G13 | 50,000 | 180° | 3000 | 82 | 24 | 25 |
| 1752301 | Y | VIV-T8BPSP4/9W/35/F/DE (2FT) | 9 | 120-277 | 1200 | G13 | 50,000 | 180° | 3500 | 82 | 24 | 25 |
| 1752403 | Y | VIV-T8BPSP4/9W/40/F/DE (2FT) | 9 | 120-277 | 1200 | G13 | 50,000 | 180° | 4000 | 82 | 24 | 25 |
| 1752502 | Y | VIV-T8BPSP4/9W/50/F/DE (2FT) | 9 | 120-277 | 1200 | G13 | 50,000 | 180° | 5000 | 82 | 24 | 25 |
| 1752204 | Y | VIV-T8BPSP4/12W/30/F/DE/3FT | 12 | 120-277 | 1450 | G13 | 50,000 | 180° | 3000 | 82 | 36 | 25 |
| 1752300 | Y | VIV-T8BPSP4/12W/35/F/DE/3FT | 12 | 120-277 | 1450 | G13 | 50,000 | 180° | 3500 | 82 | 36 | 25 |
| 1752401 | Y | VIV-T8BPSP4/12W/40/F/DE/3FT | 12 | 120-277 | 1550 | G13 | 50,000 | 180° | 4000 | 82 | 36 | 25 |
| 1752501 | Y | VIV-T8BPSP4/12W/50/F/DE/3FT | 12 | 120-277 | 1550 | G13 | 50,000 | 180° | 5000 | 82 | 36 | 25 |
| 1763238 | Y | VIV-T8BPSP4/18W/30/F/DE | 18 | 120-277 | 2050 | G13 | 50,000 | 180° | 3000 | 82 | 48 | 25 |
| 1763319 | Y | VIV-T8BPSP4/18W/35/F/DE | 18 | 120-277 | 2050 | G13 | 50,000 | 180° | 3500 | 82 | 48 | 25 |
| 1763440 | Y | VIV-T8BPSP4/18W/40/F/DE | 18 | 120-277 | 2100 | G13 | 50,000 | 180° | 4000 | 82 | 48 | 25 |
| 1763518 | Y | VIV-T8BPSP4/18W/50/F/DE | 18 | 120-277 | 2200 | G13 | 50,000 | 180° | 5000 | 82 | 48 | 25 |
| 1762036 | Y | VIV-T8BP4/15W/30/F/DE | 15 | 120-277 | 1650 | G13 | 50,000 | 220° | 3000 | 82 | 48 | 25 |
| 1762371 | Y | VIV-T8BP4/15W/35/F/DE | 15 | 120-277 | 1700 | G13 | 50,000 | 220° | 3500 | 82 | 48 | 25 |
| 1762892 | Y | VIV-T8BP4/15W/40/F/DE | 15 | 120-277 | 1750 | G13 | 50,000 | 220° | 4000 | 82 | 48 | 25 |
| 1762557 | Y | VIV-T8BP4/15W/50/F/DE | 15 | 120-277 | 1800 | G13 | 50,000 | 220° | 5000 | 82 | 48 | 25 |
| Dimmable | | | | | | | | | | | | |
| 1763425 | - | VIV-T8BPSP/18W/40/F/D | 18 | 120-277 | 1800 | G13 | 50,000 | 180° | 4000 | 83 | 48 | 25 |
| 1763509 | - | VIV-T8BPSP/18W/50/F/D | 18 | 120-277 | 1900 | G13 | 50,000 | 180° | 5000 | 83 | 48 | 25 |



VIV-T8BPSP4, VIV-T8BP4 (Double-ended & Single-ended), VIV-T8BPSP/Dim (Single-ended)

Installation Guide Typical Ballast Configurations



X Indicates Where to Cut Existing Wiring

Removing Existing Fluorescent System

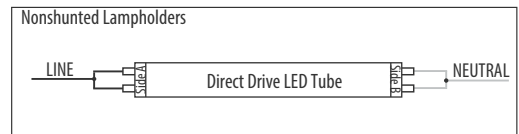
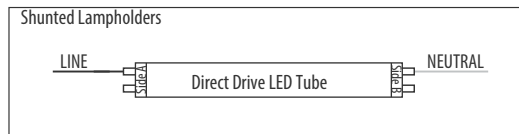
1. Disconnect power from fixture.
2. Remove fluorescent lamp(s).
3. Remove lens and wiring compartment, if applicable.
4. Cut all wires connected to the ballast as shown in Diagrams A, B, and C.
5. Identify what type of lampholders are in fixture. Double-Ended wiring installations of VIV-T8BPSP4/DE tube can be used with shunted G13 or nonshunted G13 lampholders (with instructions to externally shunt). See Figures 1 and 2.

Installing the Lamps-Double Ended

- I. Confirm that power is still disconnected from fixture.
- II. Make sure fixture is properly grounded.
- III. Follow step 1 for single lamp application or steps 2 & 3 for multiple lamp application, based on the number of lamps in the fixture:

Single Lamp

1. From AC wires, connect line (L) to Side A lampholder and neutral (N) to Side B lampholder. If only one lamp is being installed, proceed to step 4.

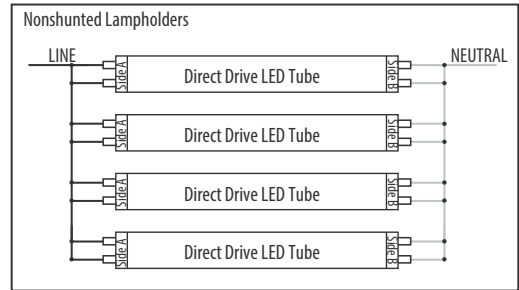
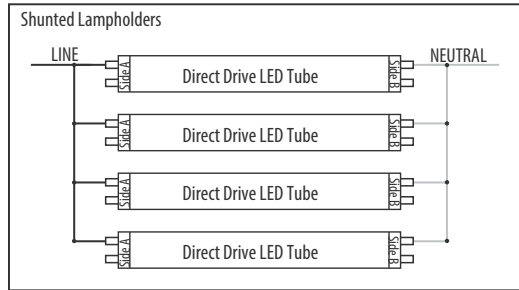


Multiple Lamps

2. Follow the steps above for single lamp connection to connect the first lamp.
3. Connect the terminals from the first lamp to the matching terminals on the lampholder of the second lamp with line and neutral wires as shown below. Continue daisy-chain connection for each additional lamp.
4. Complete all electrical connections with appropriate connectors/wire nuts as needed, per all local and national electrical codes.

NOTE: There should not be any exposed wires from sockets left unconnected.

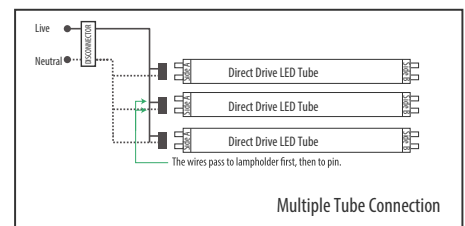
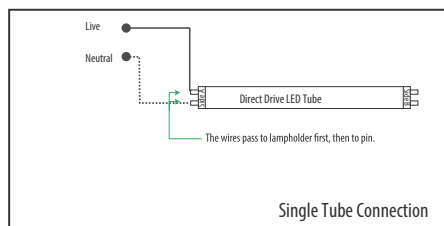
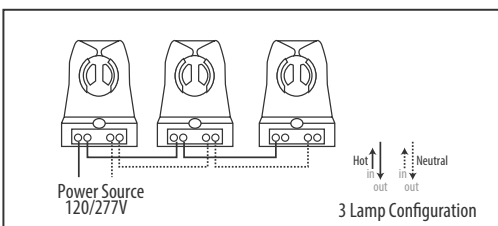
5. Replace wiring compartment cover.
6. Install all of the VIV-T8BPSP4/DE tubes. Install LED tubes so that the LEDs are pointed in the proper direction for illumination, and install any lens or diffuser as applicable.



Installing the Lamps-Single Ended (Non-Shunted)

1. Read all WARNING/CAUTIONS before continuing this section.
2. Ensure fixture is 120-277V.
3. Disconnect power at the source.
4. Remove lens if applicable, remove cover and fluorescent tubes.
5. Cut all wires that connect ballast. Properly discard ballast or cap off wires.
6. Replace lamp holders at power end with supplied non-shunted lamp holders.
7. Connect hot wire from power source into supplied non-shunted Lamp Holder "Hot In".
8. Connect neutral wire from power source into supplied non-shunted Lamp Holder "Neutral In".
9. If installing multiple lamps, continue reading. Otherwise skip to section 14.
10. Connect separate hot wire into "Hot Out" from primary source lamp holder and connect that wire into "Hot In" on the adjacent tube.

11. Connect separate neutral wire into "Neutral Out" from primary source lamp holder and connect that wire into "Neutral In" on the adjacent tube.
12. Continue this process for additional lamps.
13. Do not wire opposite end of lamp holder.
14. Install lamp with the Turolight logo (driver side) into the wired end.
15. Visibly affix "Modification Sticker" and reinstall housing cover and lens if applicable.
16. Return power back to source and installation is now completed.



Note: The luminaire shall only mount max. 4 tubes.



Ballast Bypass

LED LAMP

VIVID Series

Bypass T8 Lamp



VIV-T8BP6 (Double-ended)



Features & Benefits

- DLC approved
- External ballast not required
- Double-ended installation
- Our safety features allow for installation as well as misapplication protection¹

- High CRI (82+)
- 50,000 hour life (L70)
- Use existing lamp holders (non-shunted or shunted)
- 220° Beam angle

¹Contact your local Turolight representative for detail

Dimensional drawing



Warranty & Cautions

- 5-year limited warranty
- Operating temperature range between -20°C and +45°C
- UL/cUL listed, RoHS compliant

Ordering Information Example: VIV-T8BP6/12W/30/F/DE

| LED CLASS | LAMP TYPE | Bypass, Shatterproof | WATTAGE | CCT(K) | FROST | INSTALLATION |
|-------------|-----------|---------------------------------------|------------|--|-----------|-------------------|
| VIV (Vivid) | T8 | BP6 (Bypass, 6 th Version) | 12W 15W | 30 (3000K) 35 (3500K) 40 (4000K) 50 (5000K) | F (Frost) | DE (Double-ended) |

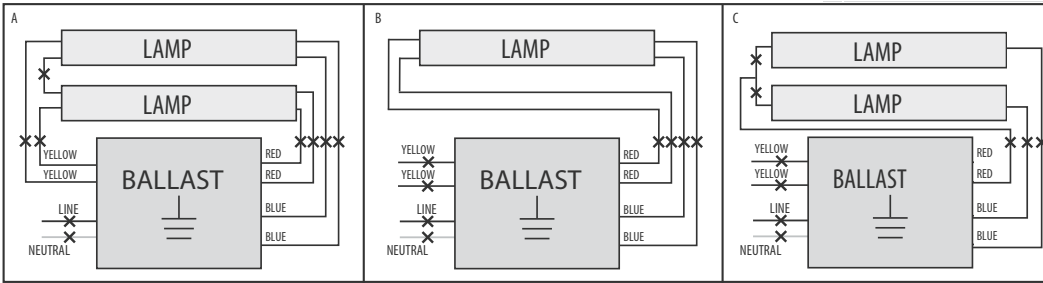
Product Specification

| Ordering Code | DLC | Model Number | Watts (W) | Voltage (V) | Initial Lumen (lm) | Base | Hour Rating | Beam Angle | CCT(K) | CRI | M.O.L. (inch) | Case QTY. |
|---------------|-----|-----------------------|-----------|-------------|--------------------|------|-------------|------------|--------|-----|---------------|-----------|
| 1752220 | N | VIV-T8BP6/12W/30/F/DE | 12 | 120-277 | 1700 | G13 | 50,000 | 220° | 3000 | 82 | 48 | 25 |
| 1752308 | Y | VIV-T8BP6/12W/35/F/DE | 12 | 120-277 | 1700 | G13 | 50,000 | 220° | 3500 | 82 | 48 | 25 |
| 1752418 | Y | VIV-T8BP6/12W/40/F/DE | 12 | 120-277 | 1800 | G13 | 50,000 | 220° | 4000 | 82 | 48 | 25 |
| 1752512 | Y | VIV-T8BP6/12W/50/F/DE | 12 | 120-277 | 1800 | G13 | 50,000 | 220° | 5000 | 82 | 48 | 25 |
| 1752221 | N | VIV-T8BP6/15W/30/F/DE | 15 | 120-277 | 2100 | G13 | 50,000 | 220° | 3000 | 82 | 48 | 25 |
| 1752309 | Y | VIV-T8BP6/15W/35/F/DE | 15 | 120-277 | 2200 | G13 | 50,000 | 220° | 3500 | 82 | 48 | 25 |
| 1752419 | Y | VIV-T8BP6/15W/40/F/DE | 15 | 120-277 | 2200 | G13 | 50,000 | 220° | 4000 | 82 | 48 | 25 |
| 1752513 | Y | VIV-T8BP6/15W/50/F/DE | 15 | 120-277 | 2200 | G13 | 50,000 | 220° | 5000 | 82 | 48 | 25 |



VIV-T8BP6 (Double-ended)

Installation Guide Typical Ballast Configurations

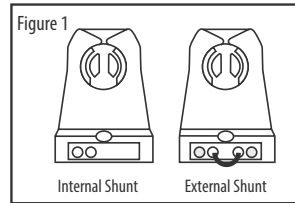


X Indicates Where to Cut Existing Wiring

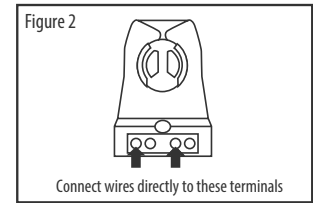
Removing Existing Fluorescent System

1. Disconnect power from fixture.
2. Remove fluorescent lamp(s).
3. Remove lens and wiring compartment, if applicable.
4. Cut all wires connected to the ballast as shown in Diagrams A, B, and C.
5. Identify what type of lampholders are in fixture. Double-Ended wiring installations of VIV-T8BP6/DE tube can be used with shunted G13 or nonshunted G13 lampholders (with instructions to externally shunt). See Figures 1 and 2.

Typical Shunted Lampholders



Typical Non-Shunted Lampholder

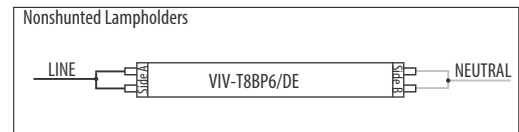
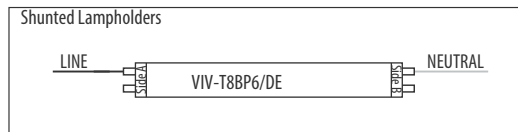


Installing the Lamps-Double Ended

- I. Confirm that power is still disconnected from fixture.
- II. Make sure fixture is properly grounded.
- III. Follow step 1 for single lamp application or steps 2 & 3 for multiple lamp application, based on the number of lamps in the fixture:

Single Lamp

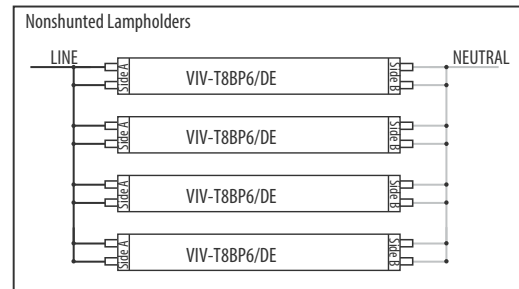
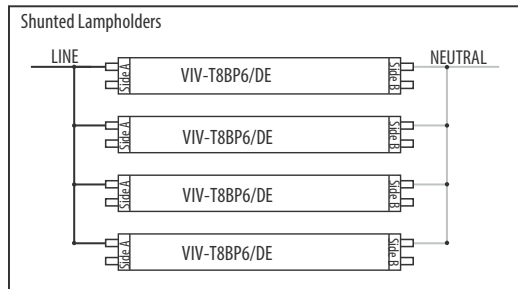
1. From AC wires, connect line (L) to Side A lampholder and neutral (N) to Side B lampholder. If only one lamp is being installed, proceed to step 4.



Multiple Lamps

2. Follow the steps above for single lamp connection to connect the first lamp.
3. Connect the terminals from the first lamp to the matching terminals on the lampholder of the second lamp with line and neutral wires as shown below. Continue daisy-chain connection for each additional lamp.
4. Complete all electrical connections with appropriate connectors/wire nuts as needed, per all local and national electrical codes.

NOTE: There should not be any exposed wires from sockets left unconnected.



5. Replace wiring compartment cover.
6. Install all of the VIV-T8BP6/DE tubes. Install LED tubes so that the LEDs are pointed in the proper direction for illumination, and install any lens or diffuser as applicable.



LED LAMP

VIVID Series

Bypass T8 8ft



VIV-T8BPSP4/Fa8 (8ft, Double-ended)
 VIV-T8BPSP4/R17d (8ft, Double-ended)

Features & Benefits

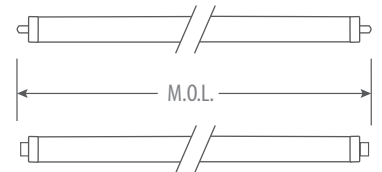
- DLC approved*, PET film, ShatterProtect¹
- External ballast not required
- Fa8, R17d base selection
- 120-277V & 347V, 180° Beam angle

¹For applicable models, see product specification below
²ShatterProtect utilizes PET film to reduce the unexpected risk of shattering
 ** Need to work with NSF certified lighting fixtures

- High CRI (82+), 50,000 hour life (L70)
- NSF/ANSI 2 certified**
- Use existing lamp holders
- Suitable for splash zones of food equipment
- Our safety features allow for installation as well as misapplication protection²

²Contact your local Turolight representative for detail

Dimensional drawing



Warranty & Cautions

- 5-year limited warranty
- Operating temperature range between -20°C and +45°C
- UL/cUL listed, RoHS compliant

Ordering Information

| LED CLASS | LAMP TYPE | Bypass, Shatterproof | WATTAGE | CCT(K) | FROST | INSTALLATION | INPUT VOLTAGE |
|-------------|-----------|--|---------|--|-----------|-------------------|--------------------------|
| VIV (Vivid) | T8 | BPSP4/Fa8 (Bypass, PET film, Fa8 Base) BPSP4/R17d (Bypass, PET film, R17d Base) | 42W | 30 (3000K) 35 (3500K) 40 (4000K) 50 (5000K) | F (Frost) | DE (Double-ended) | Blank (120-277V) 347V |

Product Specification

| Ordering Code | DLC | Model Number | Watts (W) | Voltage (V) | Initial Lumen (lm) | Base | Hour Rating | Beam Angle | CCT(K) | CRI | M.O.L. (inch) | Case QTY. |
|---|-----|---|-----------|-------------|--------------------|------|-------------|------------|--------|-----|---------------|-----------|
| T8 Bypass PET film IV 8ft Fa8 120-277V, Double-ended | | | | | | | | | | | | |
| 1755200 | Y | VIV-T8BPSP4/Fa8/42W/30/F/DE (8FT) | 42 | 120-277 | 5300 | Fa8 | 50,000 | 180° | 3000 | 82 | 96 | 8 |
| 1755300 | Y | VIV-T8BPSP4/Fa8/42W/35/F/DE (8FT) | 42 | 120-277 | 5300 | Fa8 | 50,000 | 180° | 3500 | 82 | 96 | 8 |
| 1755400 | Y | VIV-T8BPSP4/Fa8/42W/40/F/DE (8FT) | 42 | 120-277 | 5400 | Fa8 | 50,000 | 180° | 4000 | 82 | 96 | 8 |
| 1755500 | Y | VIV-T8BPSP4/Fa8/42W/50/F/DE (8FT) | 42 | 120-277 | 5500 | Fa8 | 50,000 | 180° | 5000 | 82 | 96 | 8 |
| T8 Bypass PET film IV 8FT R17d 120-277V, Double-ended | | | | | | | | | | | | |
| 1755201 | - | VIV-T8BPSP4/R17d/42W/30/F/DE (8FT) | 42 | 120-277 | 5300 | R17d | 50,000 | 180° | 3000 | 82 | 96 | 8 |
| 1755301 | - | VIV-T8BPSP4/R17d/42W/35/F/DE (8FT) | 42 | 120-277 | 5300 | R17d | 50,000 | 180° | 3500 | 82 | 96 | 8 |
| 1755401 | - | VIV-T8BPSP4/R17d/42W/40/F/DE (8FT) | 42 | 120-277 | 5400 | R17d | 50,000 | 180° | 4000 | 82 | 96 | 8 |
| 1755501 | - | VIV-T8BPSP4/R17d/42W/50/F/DE (8FT) | 42 | 120-277 | 5500 | R17d | 50,000 | 180° | 5000 | 82 | 96 | 8 |
| T8 Bypass PET film IV 8FT Fa8 347V, Double-ended | | | | | | | | | | | | |
| 1755202 | Y | VIV-T8BPSP4/Fa8/42W/30/F/DE/347V | 42 | 347 | 5300 | Fa8 | 50,000 | 180° | 3000 | 82 | 96 | 8 |
| 1755302 | Y | VIV-T8BPSP4/Fa8/42W/35/F/DE/347V (8FT) | 42 | 347 | 5300 | Fa8 | 50,000 | 180° | 3500 | 82 | 96 | 8 |
| 1755402 | Y | VIV-T8BPSP4/Fa8/42W/40/F/DE/347V (8FT) | 42 | 347 | 5400 | Fa8 | 50,000 | 180° | 4000 | 82 | 96 | 8 |
| 1755502 | Y | VIV-T8BPSP4/Fa8/42W/50/F/DE/347V (8FT) | 42 | 347 | 5500 | Fa8 | 50,000 | 180° | 5000 | 82 | 96 | 8 |
| T8 Bypass PET film f IV 8FT R17d 347V, Double-ended | | | | | | | | | | | | |
| 1755203 | - | VIV-T8BPSP4/R17d/42W/30/F/DE/347V (8FT) | 42 | 347 | 5300 | R17d | 50,000 | 180° | 3000 | 82 | 96 | 8 |
| 1755303 | - | VIV-T8BPSP4/R17d/42W/35/F/DE/347V (8FT) | 42 | 347 | 5300 | R17d | 50,000 | 180° | 3500 | 82 | 96 | 8 |
| 1755403 | - | VIV-T8BPSP4/R17d/42W/40/F/DE/347V (8FT) | 42 | 347 | 5400 | R17d | 50,000 | 180° | 4000 | 82 | 96 | 8 |
| 1755503 | - | VIV-T8BPSP4/R17d/42W/50/F/DE/347V (8FT) | 42 | 347 | 5500 | R17d | 50,000 | 180° | 5000 | 82 | 96 | 8 |



LED LAMP

VIVID Series

Bypass T8 Lamp



VIV-T8BPSP4 (5ft & 6ft Single-ended)



Features & Benefits

- PET film, ShatterProtect¹
- External ballast not required
- Single-ended applicable installation
- Our safety features allow for installation as well as misapplication protection²

- High CRI (82+), 50,000 hour life (L70)
- NSF/ANSI 2 certified**
- Use existing lamp holders (Non-Shunted)
- Suitable for splash zones of food equipment

¹ For applicable models, see product specification below
² ShatterProtect utilizes PET film to reduce the unexpected risk of shattering
³ Contact your local Turolight representative for detail

Dimensional drawing



Warranty & Cautions

- 5-year limited warranty
- Operating temperature range between -20°C and +45°C
- UL/cUL listed, RoHS compliant

** Need to work with NSF certified lighting fixtures.

Ordering Information Example: VIV-T8BPSP4/22W/40/F/5FT

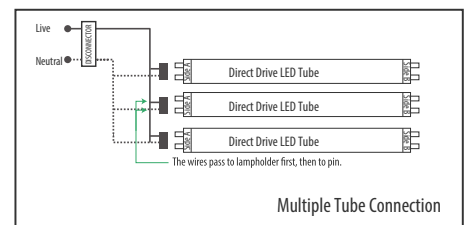
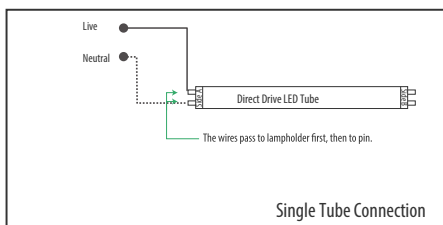
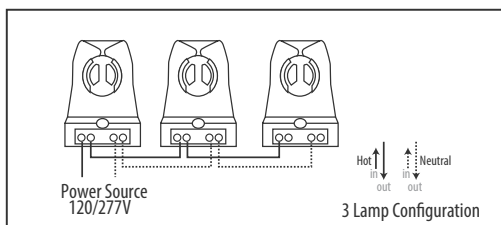
| LED CLASS | LAMP TYPE | Bypass, Shatterproof | WATTAGE | CCT(K) | FROST | LENGTH |
|-------------|-----------|---|----------|--------------------------|-----------|------------------------|
| VIV (Vivid) | T8 | BPSP4 (Bypass, PET film, 4 th Version) | 22W, 30W | 40 (4000K) 50 (5000K) | F (Frost) | 5FT (60") 6FT (72") |

Product Specification

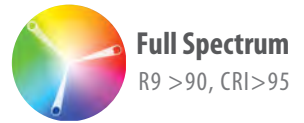
| Ordering Code | Model Number | Watts (W) | Voltage (V) | Initial Lumen (lm) | Base | Hour Rating | Beam Angle | CCT(K) | CRI | M.O.L. (inch) | Case QTY. |
|---------------|--------------------------|-----------|-------------|--------------------|------|-------------|------------|--------|-----|---------------|-----------|
| 1764412 | VIV-T8BPSP4/22W/40/F/5FT | 22 | 120-277 | 2600 | G13 | 50,000 | 180° | 4000 | 82 | 60 | 25 |
| 1764510 | VIV-T8BPSP4/22W/50/F/5FT | 22 | 120-277 | 2600 | G13 | 50,000 | 180° | 5000 | 82 | 60 | 25 |
| 1764411 | VIV-T8BPSP4/30W/40/F/6FT | 30 | 120-277 | 3400 | G13 | 50,000 | 180° | 4000 | 82 | 72 | 25 |
| 1764511 | VIV-T8BPSP4/30W/50/F/6FT | 30 | 120-277 | 3500 | G13 | 50,000 | 180° | 5000 | 82 | 72 | 25 |

Installing the Lamps-Single Ended (Non-Shunted)

1. Read all WARNING/CAUTIONS before continuing this section.
2. Ensure fixture is 120-277V.
3. Disconnect power at the source.
4. Remove lens if applicable, remove cover and fluorescent tubes.
5. Cut all wires that connect ballast. Properly discard ballast or cap off wires.
6. Replace lamp holders at power end with supplied non-shunted lamp holders.
7. Connect hot wire from power source into supplied non-shunted Lamp Holder "Hot In".
8. Connect neutral wire from power source into supplied non-shunted Lamp Holder "Neutral In".
9. If installing multiple lamps, continue reading. Otherwise skip to section 14.
10. Connect separate hot wire into "Hot Out" from primary source lamp holder and connect that wire into "Hot In" on the adjacent tube.
11. Connect separate neutral wire into "Neutral Out" from primary source lamp holder and connect that wire into "Neutral In" on the adjacent tube.
12. Continue this process for additional lamps.
13. Do not wire opposite end of lamp holder.
14. Install lamp with the Turolight logo (driver side) into the wired end.
15. Visibly affix "Modification Sticker" and reinstall housing cover and lens if applicable.
16. Return power back to source and installation is now completed.



Note: The luminaire shall only mount max. 4 tubes.



LED LAMP

VIVID Series



VIV-T8BPSP/I95



Features & Benefits

Full Spectrum (R9 >90), High CRI (95+)

120-347V

Ballast Bypass (no ballast required)

PET film, ShatterProtect¹

50,000 hour life (L70), 180° Beam angle

¹ShatterProtect utilizes PET film to reduce the unexpected risk of shattering
²Need to work with NSF certified lighting fixtures

Double-ended wiring

48" length

NSF/ANSI 2 Certified²

Our safety features allow for installation as well as misapplication protection³

³Contact your local Turolight representative for detail

Dimensional drawing



Warranty & Cautions

5-year limited warranty

Bulb wall temperature range between -20°C and +45°C

Applications

Ideal for paint booth, printing workshop, art school or any other applications required ultimate light quality with energy saving solution.

Product Specification

| Ordering Code | Model Number | Description | Watts (W) | Voltage (V) | Initial Lumen (lm) | Base | Hour Rating | Beam Angle | CCT(K) | CRI | M.O.L. (inch) | Case QTY. |
|---------------|------------------------------------|--|-----------|-------------|--------------------|------|-------------|------------|--------|-----|---------------|-----------|
| 1753500 | VIV-T8BPSP/I95/18.5W/57/F/120-347V | Bypass CRI95 4ft 18.5W G13 5700K Frost Shatterprotect 120-347V | 18.5 | 120-347 | 2100 | G13 | 50,000 | 180 | 5700 | 95 | 48 | 10 |

Ordering Information Example: VIV-T8BPSP/I95/18.5W/57/F/120-347V

| LED CLASS | LAMP TYPE | BYPASS, SHATTERPROOF | CRI | WATTAGE | CCT(K) | FROST | Voltage |
|-------------|-----------|-------------------------|--------------|---------|------------|-----------|----------|
| VIV (Vivid) | T8 | BPSP (Bypass, PET film) | I95 (CRI≥95) | 18.5W | 57 (5700K) | F (Frost) | 120-347V |



SHATTERPROOF
Ballast Bypass

LED LAMP

VIVID Series



R17D

VIV-T8BPSP Nano - Sign Light



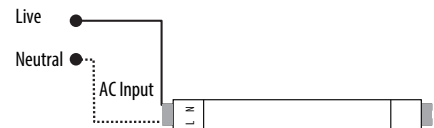
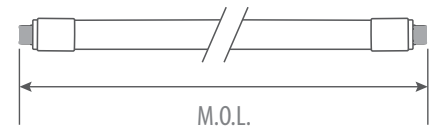
Features & Benefits

- Double sided LED strip design offers perfect 330° beam angle for outstanding light distribution
- High-transmittance nano-plastic tube, Shatterproof, no bending under high temperature
- Ideal to replace T8HO or T12HO fluorescent lamps for lighting sign boxes
- Ballast Bypass, Single-ended wiring (no ballast required)

- NSF/ANSI 2 Certified¹, suitable for splash zones of food equipment
- R17D End Caps
- Tube adjustable for optimized illumination
- 50,000 hour life (L70), High CRI (83+)
- 24", 36", 48", 60", 72", 84", 96", 108" and 120" length

¹Need to work with ETL Sanitation certified lighting fixtures

Dimensional drawing



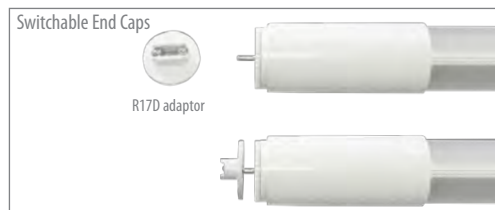
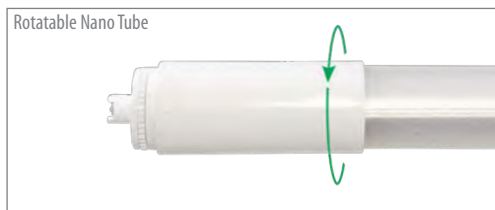
Single-ended wiring, opposite socket to remain unwired.

Warranty & Cautions

- 3-year limited warranty
- Bulb wall temperature range between -40°C and +45°C
- Sockets must be non-shunted

Product Specification

| Ordering Code | Model Number | Description | Lamp Power (W) | System Power (W) | Initial Lumen (lm) | Base | Voltage (V) | Hour Rating | Beam Angle | CCT(K) | CRI | M.O.L. (inch) | Case QTY. |
|---------------|-----------------------------|---|----------------|------------------|--------------------|------|-------------|-------------|------------|--------|-----|---------------|-----------|
| 1762602 | VIV-T8BPSP/N/9W/65/DS/2FT | T8 Bypass 2ft 9W R17D 65K Frost Shatterproof Double Sided | 9 | 9 | 1250 | R17D | 120-277 | 50,000 | 330 | 6500 | 83 | 24 | 10 |
| 1762603 | VIV-T8BPSP/N/12W/65/DS/3FT | T8 Bypass 3ft 12W R17D 65K Frost Shatterproof Double Sided | 12 | 12 | 1650 | R17D | 120-277 | 50,000 | 330 | 6500 | 83 | 36 | 10 |
| 1763601 | VIV-T8BPSP/N/18W/65/DS/4FT | T8 Bypass 4ft 18W R17D 65K Frost Shatterproof Double Sided | 18 | 18 | 2500 | R17D | 120-277 | 50,000 | 330 | 6500 | 83 | 48 | 10 |
| 1764601 | VIV-T8BPSP/N/24W/65/DS/5FT | T8 Bypass 5ft 24W R17D 65K Frost Shatterproof Double Sided | 24 | 24 | 3350 | R17D | 120-277 | 50,000 | 330 | 6500 | 83 | 60 | 10 |
| 1764602 | VIV-T8BPSP/N/30W/65/DS/6FT | T8 Bypass 6t 30W R17D 65K Frost Shatterproof Double Sided | 30 | 30 | 4200 | R17D | 120-277 | 50,000 | 330 | 6500 | 83 | 72 | 10 |
| 1764604 | VIV-T8BPSP/N/32W/65/DS/7FT | T8 Bypass 7ft 32W R17D 65K Frost Shatterproof Double Sided | 32 | 32 | 4500 | R17D | 120-277 | 50,000 | 330 | 6500 | 83 | 84 | 10 |
| 1765600 | VIV-T8BPSP/N/36W/65/DS/8FT | T8 Bypass 8ft 36W R17D 65K Frost Shatterproof Double Sided | 36 | 36 | 5000 | R17D | 120-277 | 50,000 | 330 | 6500 | 83 | 96 | 10 |
| 1765602 | VIV-T8BPSP/N/42W/65/DS/9FT | T8 Bypass 9ft 42W R17D 65K Frost Shatterproof Double Sided | 42 | 42 | 5800 | R17D | 120-277 | 50,000 | 330 | 6500 | 83 | 108 | 10 |
| 1765601 | VIV-T8BPSP/N/48W/65/DS/10FT | T8 Bypass 10ft 48W R17D 65K Frost Shatterproof Double Sided | 48 | 48 | 6700 | R17D | 120-277 | 50,000 | 330 | 6500 | 83 | 120 | 10 |



Ordering Information Example: VIV-T8BPSP/N/24W/65/DS/5FT

| LED CLASS | LAMP TYPE | BYPASS, SHATTERPROOF | MATERIAL | WATTAGE | CCT(K) | LED STRIPS | LENGTH |
|-------------|-----------|-----------------------------|----------|--|------------|-------------------|--|
| VIV (Vivid) | T8 | BPSP (Bypass, Shatterproof) | N (Nano) | 9W, 12W 18W, 24W 30W, 32W 36W, 42W, 48W | 65 (6500K) | DS (Double Sided) | 2FT (24"), 3FT (36") 4FT (48"), 5FT (60") 6FT (72"), 7FT (84") 8FT (96")**, 9FT (108")**, 10FT (120")** |

** Be sure set nano PCB (printed circuit board) is vertical to avoid tube distortion (sagging).



SHATTERPROOF
Ballast Bypass

LED LAMP

VIVID Series



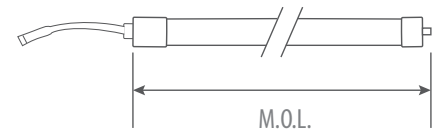
VIV-T8BPSP Nano - Freezer/Cooler



Features & Benefits

| | |
|---|---|
| High-transmittance nano-plastic tube, Shatterproof, no bending under high temperature | NSF/ANSI 2 Certified ¹ , suitable for splash zones of food equipment |
| Design for Freezer/Cooler application | 48", 60" and 72" length |
| Plugs directly into AC outlet, instant startup | 50,000 hour life (L70), High CRI (83+) |
| Ballast Bypass (no ballast required) | Wet locatoin approved |
| Mounting Brackets and 72" power cord included | ¹ Need to work with ETL Sanitation certified lighting fixtures |

Dimensional drawing



Warranty & Cautions

- 5-year limited warranty
- Bulb wall temperature range between -30°C and +40°C

Product Specification

| Ordering Code | Model Number | Description | Lamp Power (W) | System Power (W) | Initial Lumen (lm) | Voltage (V) | Hour Rating | Beam Angle | CCT(K) | CRI | M.O.L. (inch) | Case QTY. |
|---------------|--------------------------------|---|----------------|------------------|--------------------|-------------|-------------|------------|--------|-----|---------------|-----------|
| 1753400 | VIV-T8BPSP/N/18W/40/F/FC (4FT) | Bypass Nano 4ft 18W G13 40K Frost Shatterproof Freezer/Cooler | 18 | 18 | 2250 | 120-277 | 50,000 | 160 | 4000 | 83 | 47.4" | 25 |
| 1754400 | VIV-T8BPSP/N/22W/40/F/FC/5FT | Bypass Nano 5ft 22W G13 40K Frost Shatterproof Freezer/Cooler | 22 | 22 | 2750 | 120-277 | 50,000 | 160 | 4000 | 83 | 59.4" | 25 |
| 1754401 | VIV-T8BPSP/N/26W/40/F/FC/6FT | Bypass Nano 6ft 26W G13 40K Frost Shatterproof Freezer/Cooler | 26 | 26 | 3250 | 120-277 | 50,000 | 160 | 4000 | 83 | 71.4" | 12 |

Accessories



Ordering Information Example: VIV-T8BPSP/N/18W/40/F/FC

| LED CLASS | LAMP TYPE | BYPASS, SHATTERPROOF | MATERIAL | WATTAGE | CCT(K) | FROST | APPLICATION |
|-------------|-----------|-----------------------------|----------|-------------------|------------|-----------|---------------------|
| VIV (Vivid) | T8 | BPSP (Bypass, Shatterproof) | N (Nano) | 18W 22W 26W | 40 (4000K) | F (Frost) | FC (Freezer/Cooler) |



Instant Start Electronic Ballast UNV & 347V



Product Description

| |
|--|
| Compatible with T8, 32/25/17 & 30/28/25 wattage lamp types |
| THD <10%, high power factor |
| Normal ballast factor |
| Parallel lamp operation, enables lamps to remain on when one fails |
| Sound Rating A, for quiet operation |
| OCV 600V, No PCB's |
| Remote Mounting: 18 ft. max. Maximum ambient temperature: 131°F/ 55°C Maximum case temperature Tc: 194°F/ 90°C |

Certifications

| |
|--|
| Meets ANSI standard C82.11-2002 and C62.41-2002 |
| Meets FCC 18 non-consumer limits(277V) |
| UL&cULus listed (Class P, Type 1 Outdoor), Type HL |
| RoHS compliance |

Warranty

| | |
|--|----------------|
| Commercial/ Industrial product use with case Temp. 75°C or below | <u>5 years</u> |
| Commercial/ Industrial product use with case Temp. 90°C or below | <u>3 years</u> |

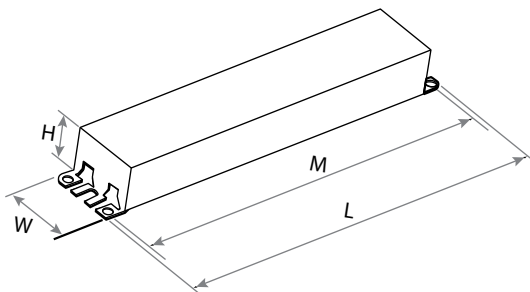
Product Specification

| Order Code | Model Number | No. of Lamps | Lamp Type | Input Volts (V) | Input Power (W) | Line Current (A) | Ballast Factor | THD (≤%) | Power Factor (≥) |
|------------------------------------|--------------|--------------|-----------|-----------------|-----------------|------------------|----------------|----------|------------------|
| Instant Start, 120V 50/60Hz | | | | | | | | | |
| 4161100 | TL232UNV-IS | 1 | F32T8 | 120 | 35 | 0.29 | 1.08 | 10 | 0.98 |
| | TL232UNV-IS | 2 | F32T8 | 120 | 56 | 0.46 | 0.89 | 10 | 0.98 |
| 4161101 | TL432UNV-IS | 3 | F32T8 | 120 | 92 | 0.77 | 0.96 | 10 | 0.98 |
| | TL432UNV-IS | 4 | F32T8 | 120 | 112 | 0.93 | 0.88 | 10 | 0.98 |
| Instant Start, 347V 50/60Hz | | | | | | | | | |
| 4161200 | TL232347-IS | 1 | F32T8 | 347 | 37 | 0.112 | 1.08 | 10 | 0.98 |
| | TL232347-IS | 2 | F32T8 | 347 | 56 | 0.170 | 0.89 | 10 | 0.98 |
| 4161201 | TL432347-IS | 3 | F32T8 | 347 | 88 | 0.260 | 0.94 | 10 | 0.97 |
| | TL432347-IS | 4 | F32T8 | 347 | 109 | 0.322 | 0.87 | 10 | 0.98 |

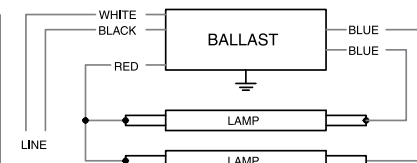
Dimensional drawing

9.5"(L) x 1.3"(W) x 1.1"(H) x 8.9"(M)
 0.79 lbs for TL232UNV-IS
 1.10 lbs for TL432UNV-IS
 TL232347-IS, TL432347-IS

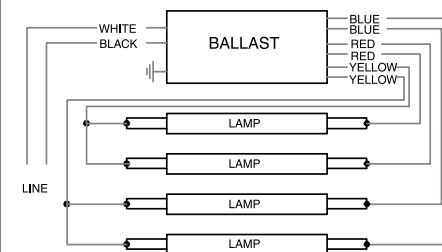
Lead Length: 18AWG
 White, Black 25" (±1")
 Yellow 46" (±1")
 Blue/ Red 31" (±1")



Ballast Wiring



For one lamp application, cap any blue lead insulate to 600V



For three lamps application, cap any blue lead insulate to 600V



LED LAMP

VIVID Series



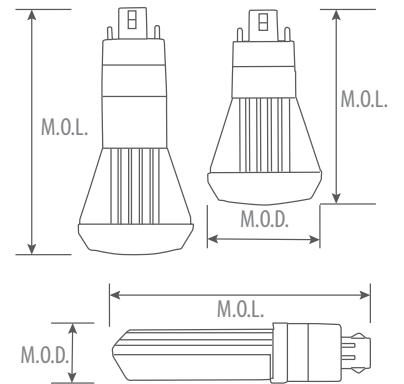
VIV-PL/DF

Features & Benefits

- DLC approved
- High CRI (83+), 120° beam angle
- 3 Versions (Horizontal, Vertical and Vertical Long)
- Enclosed fixture application and wet location approved
- G24q base matches CFL G24q-1,2,3 and GX24q-2,3,4
- Compatible with most CFL electronic fluorescent ballast¹
- 50,000 hour life (L70)

¹ For detail, you may contact your sales person or check www.turolight.com for ballast compatibility list

Dimensional drawing



Warranty & Cautions

- 5-year limited warranty for DLC listed lamps / 3-year limited warranty for non-DLC*
- Operating temperature range between -20°C and +45°C

*Please check the "Turolight LED Limited Warranty" for details

Product Specification

| Ordering Code | DLC | Model Number | Description | Replacement CFL | Watts | Base | Voltage (V) | Hour Rating | Beam Angle | Initial Lumen (lm) | CCT(K) | CRI | Enclosed Fixtures Application | M.O.L. (inch) | M.O.D. (inch) | Case QTY. |
|---------------|-----|--------------------|------------------------------------|--|-------|------|-------------|-------------|------------|--------------------|--------|-----|-------------------------------|---------------|---------------|-----------|
| 1762192 | - | VIV-PL/DF/9W/27/H | PL Direct Fit 9W 27K Horizontal | PLC 18W/26W G24q-1,G24q-2, G24q-3 PLT 18W GX24q-2 PLT 26W GX24q-3 PLT 32W GX24q-3 | 9 | G24q | 120/277 | 50,000 | 120 | 800 | 2700 | 83 | Y | 5.20 | 1.61 | 50 |
| 1762761 | Y | VIV-PL/DF/9W/30/H | PL Direct Fit 9W 30K Horizontal | | 9 | G24q | 120/277 | 50,000 | 120 | 800 | 3000 | 83 | Y | 5.20 | 1.61 | 50 |
| 1762348 | Y | VIV-PL/DF/9W/35/H | PL Direct Fit 9W 35K Horizontal | | 9 | G24q | 120/277 | 50,000 | 120 | 800 | 3500 | 83 | Y | 5.20 | 1.61 | 50 |
| 1762839 | Y | VIV-PL/DF/9W/40/H | PL Direct Fit 9W 40K Horizontal | | 9 | G24q | 120/277 | 50,000 | 120 | 850 | 4000 | 83 | Y | 5.20 | 1.61 | 50 |
| 1762537 | Y | VIV-PL/DF/9W/50/H | PL Direct Fit 9W 50K Horizontal | | 9 | G24q | 120/277 | 50,000 | 120 | 900 | 5000 | 83 | Y | 5.20 | 1.61 | 50 |
| 1762193 | - | VIV-PL/DF/9W/27/V | PL Direct Fit 9W 27K Vertical | | 9 | G24q | 120/277 | 50,000 | 120 | 850 | 2700 | 83 | Y | 3.66 | 2.09 | 50 |
| 1762762 | Y | VIV-PL/DF/9W/30/V | PL Direct Fit 9W 30K Vertical | | 9 | G24q | 120/277 | 50,000 | 120 | 850 | 3000 | 83 | Y | 3.66 | 2.09 | 50 |
| 1762349 | Y | VIV-PL/DF/9W/35/V | PL Direct Fit 9W 35K Vertical | | 9 | G24q | 120/277 | 50,000 | 120 | 850 | 3500 | 83 | Y | 3.66 | 2.09 | 50 |
| 1762840 | Y | VIV-PL/DF/9W/40/V | PL Direct Fit 9W 40K Vertical | | 9 | G24q | 120/277 | 50,000 | 120 | 900 | 4000 | 83 | Y | 3.66 | 2.09 | 50 |
| 1762538 | Y | VIV-PL/DF/9W/50/V | PL Direct Fit 9W 50K Vertical | | 9 | G24q | 120/277 | 50,000 | 120 | 950 | 5000 | 83 | Y | 3.66 | 2.09 | 50 |
| 1762194 | - | VIV-PL/DF/9W/27/VL | PL Direct Fit 9W 27K Vertical Long | | 9 | G24q | 120/277 | 50,000 | 120 | 850 | 2700 | 83 | Y | 4.65 | 2.09 | 50 |
| 1762763 | Y | VIV-PL/DF/9W/30/VL | PL Direct Fit 9W 30K Vertical Long | | 9 | G24q | 120/277 | 50,000 | 120 | 850 | 3000 | 83 | Y | 4.65 | 2.09 | 50 |
| 1762350 | Y | VIV-PL/DF/9W/35/VL | PL Direct Fit 9W 35K Vertical Long | | 9 | G24q | 120/277 | 50,000 | 120 | 850 | 3500 | 83 | Y | 4.65 | 2.09 | 50 |
| 1762841 | Y | VIV-PL/DF/9W/40/VL | PL Direct Fit 9W 40K Vertical Long | | 9 | G24q | 120/277 | 50,000 | 120 | 900 | 4000 | 83 | Y | 4.65 | 2.09 | 50 |
| 1762539 | Y | VIV-PL/DF/9W/50/VL | PL Direct Fit 9W 50K Vertical Long | | 9 | G24q | 120/277 | 50,000 | 120 | 950 | 5000 | 83 | Y | 4.65 | 2.09 | 50 |

Base Matches

PL G24q →



G24q-1



G24q-2



G24q-3



GX24q-2



GX24q-3



GX24q-4



LED LAMP

VIVID Series



VIV-PLL/DF

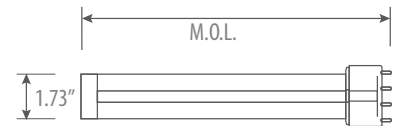


Features & Benefits

| | |
|--|--|
| DLC approved | Enclosed fixture and damp location rated |
| Direct replacement CFL PLL 40W/50W | With thermal fuse for over-heat security |
| 320° emitting angle, 160° beam angle | Direct fit, Compatible with most CFL electronic fluorescent ballast ¹ |
| 50,000 hour life (L70), High CRI (83+) | |

¹ For detail, you may contact your sales person or check www.turolight.com for ballast compatibility list

Dimensional drawing



Warranty & Cautions

3-year limited warranty
 Operating temperature range between -20°C and +40°C

Product Specification

| Ordering Code | DLC | Model Number | Description | Replacement CFL | Watts | Base | Voltage (V) | Hour Rating | Beam Angle | Initial Lumen (lm) | CCT(K) | CRI | M.O.L. (inch) | Case QTY. |
|-------------------------------------|-----|---------------------|---------------------------------|-----------------|-------|------|--------------|-------------|------------|--------------------|--------|-----|---------------|-----------|
| PLL Replacement - Direct Fit | | | | | | | | | | | | | | |
| 1752217 | Y | VIV-PLL/DF/14W/30/L | PLL Direct Fit 14W 30K Long DLC | PLL 40W/50W | 14 | 2G11 | 120-277, 347 | 50,000 | 160 | 2000 | 3000 | 83 | 22.44 | 50 |
| 1752306 | Y | VIV-PLL/DF/14W/35/L | PLL Direct Fit 14W 35K Long DLC | | 14 | 2G11 | 120-277, 347 | 50,000 | 160 | 2050 | 3500 | 83 | 22.44 | 50 |
| 1752414 | Y | VIV-PLL/DF/14W/40/L | PLL Direct Fit 14W 40K Long DLC | | 14 | 2G11 | 120-277, 347 | 50,000 | 160 | 2100 | 4000 | 83 | 22.44 | 50 |



LED LAMP

VIVID Series



VIV-PLL/DF, VIV-PLL/BP



Features & Benefits

Direct Fit and Ballast Bypass options

Kinds of length

50,000 hour life (L70)

High CRI (83+), 180° beam angle

Compatible with most CFL electronic fluorescent ballast¹

¹ For detail, you may contact your sales person or check www.turolight.com for ballast compatibility list

Dimensional drawing



Warranty & Cautions

3-year limited warranty

Operating temperature range between -20°C and +45°C

Product Specification

| Ordering Code | Model Number | Description | Replacement CFL | Watts | Base | Voltage (V) | Hour Rating | Beam Angle | Initial Lumen (lm) | CCT(K) | CRI | M.O.L. (inch) | Case QTY. |
|-------------------------------------|---------------------|-----------------------------|-----------------|-------|------|-------------|-------------|------------|--------------------|--------|-----|---------------|-----------|
| PLL Replacement - Direct Fit | | | | | | | | | | | | | |
| 1762160 | VIV-PLL/DF/15W/27 | PLL Direct Fit 15W 27K | PLL 55W | 15 | 2G11 | 120/277 | 50,000 | 180 | 1600 | 2700 | 83 | 21.06 | 50 |
| 1762705 | VIV-PLL/DF/15W/30 | PLL Direct Fit 15W 30K | | 15 | 2G11 | 120/277 | 50,000 | 180 | 1600 | 3000 | 83 | 21.06 | 50 |
| 1762319 | VIV-PLL/DF/15W/35 | PLL Direct Fit 15W 35K | | 15 | 2G11 | 120/277 | 50,000 | 180 | 1600 | 3500 | 83 | 21.06 | 50 |
| 1762493 | VIV-PLL/DF/15W/40 | PLL Direct Fit 15W 40K | | 15 | 2G11 | 120/277 | 50,000 | 180 | 1600 | 4000 | 83 | 21.06 | 50 |
| 1763112 | VIV-PLL/DF/19W/27 | PLL Direct Fit 19W 27K | PLL 55W | 19 | 2G11 | 120/277 | 50,000 | 180 | 2000 | 2700 | 83 | 21.06 | 50 |
| 1763225 | VIV-PLL/DF/19W/30 | PLL Direct Fit 19W 30K | | 19 | 2G11 | 120/277 | 50,000 | 180 | 2000 | 3000 | 83 | 21.06 | 50 |
| 1763309 | VIV-PLL/DF/19W/35 | PLL Direct Fit 19W 35K | | 19 | 2G11 | 120/277 | 50,000 | 180 | 2000 | 3500 | 83 | 21.06 | 50 |
| 1763426 | VIV-PLL/DF/19W/40 | PLL Direct Fit 19W 40K | | 19 | 2G11 | 120/277 | 50,000 | 180 | 2000 | 4000 | 83 | 21.06 | 50 |
| 1763116 | VIV-PLL/DF/19W/27/L | PLL Direct Fit 19W 27K Long | PLL 40W/50W | 19 | 2G11 | 120/277 | 50,000 | 180 | 2000 | 2700 | 83 | 22.44 | 50 |
| 1763235 | VIV-PLL/DF/19W/30/L | PLL Direct Fit 19W 30K Long | | 19 | 2G11 | 120/277 | 50,000 | 180 | 2000 | 3000 | 83 | 22.44 | 50 |
| 1763316 | VIV-PLL/DF/19W/35/L | PLL Direct Fit 19W 35K Long | | 19 | 2G11 | 120/277 | 50,000 | 180 | 2000 | 3500 | 83 | 22.44 | 50 |
| 1763437 | VIV-PLL/DF/19W/40/L | PLL Direct Fit 19W 40K Long | | 19 | 2G11 | 120/277 | 50,000 | 180 | 2000 | 4000 | 83 | 22.44 | 50 |
| PLL Replacement - Bypass | | | | | | | | | | | | | |
| 1762163 | VIV-PLL/BP/8W/27 | PLL Bypass 8W 27K | PLL 18W | 8 | 2G11 | 120/277 | 50,000 | 180 | 640 | 2700 | 83 | 8.86 | 50 |
| 1762708 | VIV-PLL/BP/8W/30 | PLL Bypass 8W 30K | | 8 | 2G11 | 120/277 | 50,000 | 180 | 640 | 3000 | 83 | 8.86 | 50 |
| 1762322 | VIV-PLL/BP/8W/35 | PLL Bypass 8W 35K | | 8 | 2G11 | 120/277 | 50,000 | 180 | 640 | 3500 | 83 | 8.86 | 50 |
| 1762496 | VIV-PLL/BP/8W/40 | PLL Bypass 8W 40K | | 8 | 2G11 | 120/277 | 50,000 | 180 | 640 | 4000 | 83 | 8.86 | 50 |
| 1762164 | VIV-PLL/BP/10W/27 | PLL Bypass 10W 27K | PLL 24W | 10 | 2G11 | 120/277 | 50,000 | 180 | 800 | 2700 | 83 | 12.60 | 50 |
| 1762709 | VIV-PLL/BP/10W/30 | PLL Bypass 10W 30K | | 10 | 2G11 | 120/277 | 50,000 | 180 | 800 | 3000 | 83 | 12.60 | 50 |
| 1762323 | VIV-PLL/BP/10W/35 | PLL Bypass 10W 35K | | 10 | 2G11 | 120/277 | 50,000 | 180 | 800 | 3500 | 83 | 12.60 | 50 |
| 1762497 | VIV-PLL/BP/10W/40 | PLL Bypass 10W 40K | | 10 | 2G11 | 120/277 | 50,000 | 180 | 800 | 4000 | 83 | 12.60 | 50 |
| 1762165 | VIV-PLL/BP/15W/27 | PLL Bypass 15W 27K | PLL 36W | 15 | 2G11 | 120/277 | 50,000 | 180 | 1200 | 2700 | 83 | 16.34 | 50 |
| 1762710 | VIV-PLL/BP/15W/30 | PLL Bypass 15W 30K | | 15 | 2G11 | 120/277 | 50,000 | 180 | 1200 | 3000 | 83 | 16.34 | 50 |
| 1762324 | VIV-PLL/BP/15W/35 | PLL Bypass 15W 35K | | 15 | 2G11 | 120/277 | 50,000 | 180 | 1200 | 3500 | 83 | 16.34 | 50 |
| 1762498 | VIV-PLL/BP/15W/40 | PLL Bypass 15W 40K | | 15 | 2G11 | 120/277 | 50,000 | 180 | 1200 | 4000 | 83 | 16.34 | 50 |
| 1763113 | VIV-PLL/BP/18W/27 | PLL Bypass 18W 27K | PLL 55W | 18 | 2G11 | 120/277 | 50,000 | 180 | 1500 | 2700 | 83 | 21.06 | 50 |
| 1763226 | VIV-PLL/BP/18W/30 | PLL Bypass 18W 30K | | 18 | 2G11 | 120/277 | 50,000 | 180 | 1500 | 3000 | 83 | 21.06 | 50 |
| 1763310 | VIV-PLL/BP/18W/35 | PLL Bypass 18W 35K | | 18 | 2G11 | 120/277 | 50,000 | 180 | 1500 | 3500 | 83 | 21.06 | 50 |
| 1763427 | VIV-PLL/BP/18W/40 | PLL Bypass 18W 40K | | 18 | 2G11 | 120/277 | 50,000 | 180 | 1500 | 4000 | 83 | 21.06 | 50 |



LED LAMP

VIVID Series



VIV-PLS/BP



Features & Benefits

Bypass replacement for CFL PLS 2Pin (GX23)

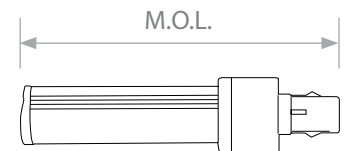
350~700lm

50,000 hour life (L70)

High CRI (83+), 180° beam angle

Damp location approved

Dimensional drawing



Warranty & Cautions

3-year limited warranty in commercial use from the date of purchase

Operating temperature range between -20°C and +50°C

UL/cUL listed, FCC compliant, RoHS compliant

Product Specification

| Ordering Code | Model Number | Description | Watts | Base | Voltage (V) | Hour Rating | Beam Angle | Initial Lumen (lm) | CCT(K) | CRI | M.O.L. (inch) | Case QTY. |
|---------------|-------------------------|--------------------------|-------|------|-------------|-------------|------------|--------------------|--------|-----|---------------|-----------|
| 1751401 | VIV-PLS/BP/4.5W/40/G23 | PLS Bypass 4.5W 40K 2Pin | 4.5 | GX23 | 120/277 | 50,000 | 180 | 350 | 4000 | 83 | 5.79 | 50 |
| 1752417 | VIV-PLS/BP/6W/40/GX23/S | PLS Bypass 6W 40K 2Pin | 6 | GX23 | 120/277 | 50,000 | 180 | 500 | 4000 | 83 | 6.75 | 50 |
| 1762161 | VIV-PLS/BP/6W/27/2P | PLS Bypass 6W 27K 2Pin | 6 | GX23 | 120/277 | 50,000 | 180 | 500 | 2700 | 83 | 5.79 | 50 |
| 1762706 | VIV-PLS/BP/6W/30/2P | PLS Bypass 6W 30K 2Pin | 6 | GX23 | 120/277 | 50,000 | 180 | 500 | 3000 | 83 | 5.79 | 50 |
| 1762320 | VIV-PLS/BP/6W/35/2P | PLS Bypass 6W 35K 2Pin | 6 | GX23 | 120/277 | 50,000 | 180 | 500 | 3500 | 83 | 5.79 | 50 |
| 1762494 | VIV-PLS/BP/6W/40/2P | PLS Bypass 6W 40K 2Pin | 6 | GX23 | 120/277 | 50,000 | 180 | 500 | 4000 | 83 | 5.79 | 50 |
| 1762162 | VIV-PLS/BP/8W/27/2P | PLS Bypass 8W 27K 2Pin | 8 | GX23 | 120/277 | 50,000 | 180 | 700 | 2700 | 83 | 6.75 | 50 |
| 1762707 | VIV-PLS/BP/8W/30/2P | PLS Bypass 8W 30K 2Pin | 8 | GX23 | 120/277 | 50,000 | 180 | 700 | 3000 | 83 | 6.75 | 50 |
| 1762321 | VIV-PLS/BP/8W/35/2P | PLS Bypass 8W 35K 2Pin | 8 | GX23 | 120/277 | 50,000 | 180 | 700 | 3500 | 83 | 6.75 | 50 |
| 1762495 | VIV-PLS/BP/8W/40/2P | PLS Bypass 8W 40K 2Pin | 8 | GX23 | 120/277 | 50,000 | 180 | 700 | 4000 | 83 | 6.75 | 50 |