



Lamps & Luminaires Catalogue

Tel: 905-479-7093 • Toll Free: 1-888-425-7093
sales@turolight.com • www.turolight.com

D-02V. 2021



Brighter, Better,
for Less

More LED Options,
More Savings, More Profits



WHO WE ARE

Turolight has been redefining the very definition of light since its inception. By introducing wave after wave of new, exciting, innovative leading edge, high quality, energy saving lighting products we've captured the hearts and minds of countless organization and individuals alike.

Global warming is a reality; it is our purpose to create sustainable solutions that achieve in higher efficiencies than required by law. Our products feature some of the most impressive traits in the industry. Featuring break-thru products like LED bulbs and fixtures, we've just begun to explore the alternatives to further support in the effort to create a sustainable future.

These initiatives will help reduce greenhouse gases, promote energy conservation, reduce waste both at the manufacturing level and at the consumer level, while protecting our children's future. Turolight goes further than just engineering environmentally

friendly products, we take it to the streets and work hard to promote and support programs that will contribute to the realization of sustainability in this new reality.

We understand the need for safety in all electrical products and lighting products are no exception. Turolight strongly promotes the strictest of safety standards by adhering to CSA and cUL guidelines.

We create and distribute, through our distribution partners, a host of unique lighting products that are quickly becoming the standard in our industry today. If you are a distributor or an agent of electrical products and are interested in becoming a Turolight partner, contact us today at www.turolight.com.

Turolight continues to capture the lighting marketplace, and takes pride in making it affordable, practical and sustainable for all.

MISSION STATEMENT

Turolight is a leading manufacturer of premium, energy efficient and environmentally friendly lighting technologies. Our products allow industries and consumers alike to make positive choices for themselves, their communities, and the planet.



**NEW
PRODUCT**



LED Wall Pack (SSL-WP1T)



LED Full Cutoff Wall Pack (SSL-WP3T)



LED Canopy (SSL-CP3)



LED Doorway Light (SSL-DW2)



LED Slim Wall Pack (SSL-WP2T)



LED Mini Flood (SSL-MFL)



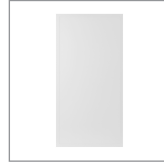
LED Circular HighBay (SSL-CHB)



LED Area Light (SSL-AL2)



LED Linear High Bay (SSL-LHB3)



LED Backlit Panel (RGD-BLP2)



LED Flush Mount, 1 Ring (RGD-FM15)



LED Flush Mount, PC (RGD-FM14)



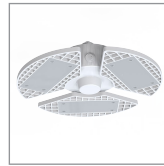
Eco-Commercial Strip (DL-EC/MW/MK)



LED Wrap Around (DL-WA5)



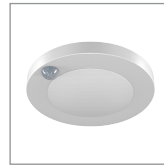
LED Garage Canopy (SSL-CPG)



LED Garage Light (HD-GCL 80W)



LED Garage Light (HD-GCL Multi-Wattage)



LED Closet Light (RGD-CL)



LED Downlight (RGD-CDF)



LED Slim Panel 5 CCT (RGD-SP2)



LED MR11 (VASO-MR11)



LED String Lights (SSL-STRINGER/RGBW)

LED LUMINAIRES

Backlit Panel	»	Centre Basket	»
Downlight	»	4" Gimbal	»
Ceiling Dome Light	»	Slim Panel	»
Surface Discus	»	Flush Mount (Ring, PC)	»
Vanity & Wall Sconce	»	Wrap Light	»
Eco-Commercial Strip	»	Connected Strip	»
Vapor Tight	»	Circular Highbay	»
Linear High Bay	»	Area Light	»
Mini Flood	»	Wall Pack	»
Doorway Light	»	Canopy	»
Garage Light	»	Closet Light	»
Running Man Sign, Combo	»	Emergency Sign, Light, Backup Battery	»
Sports Light	»	Sensor	»

LED LAMPS

Dim to Warm	»	High Lumen PS25, PS30, A21	»
A15, A19	»	G9, G4, MR11	»
MR16	»	PAR Lamp	»
BR Lamp	»	Filament-Low Flicker, Regular, Aesthetic	»
Wi-Fi A19	»	Decorative Light Set	»
T5 - Direct Fit (Shatterprotect, Glass)	»		
T5 - Bypass (Shatterprotect)	»		
T8 - Direct Fit (Shatterprotect, Glass, Nano, Metric Size)	»		
T8 - Hybrid (U1, U6 Bend)	»		
T8 - Bypass (Flicker Free, Shatterprotect, Glass, Dim)	»		
T8 - Bypass (8 Foot, 5 Foot, 6 Foot)	»		
T8 - Bypass (Full Spectrum R9 >90, High CRI 95+)	»		
T8 - Bypass (Nano Sigh Light, Freezer/ Cooler)	»		
T8 Electronic Ballast	»	PL, PLL, PLS	»





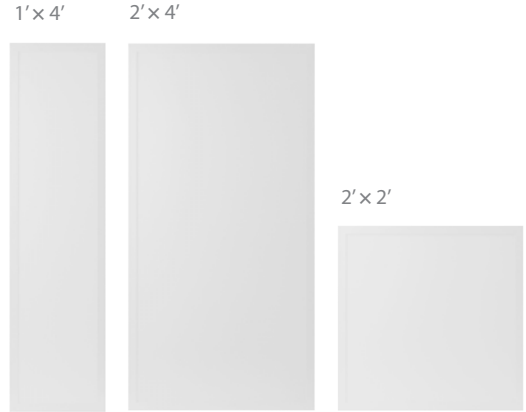
LED FIXTURE

RIGID Series

LED Backlit Panel

RGD-BLP2

Ultra Slim LED Backlit Panel Luminaire with the latest options, Multiple Wattage - Multiple Kelvin, Auto-Sensing Driver



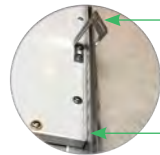
Features & Benefits

- cUL listed, DLC Premium, 125lm/W
- Multiple Wattage and Multiple Kelvin (CCT)
- Ultra slim design, no UV & IR emission
- 3 Convenient sizes (1'x4', 2'x4', 2'x2')
- 120-347V Auto-sensing driver, PF >0.9
- L70 @ 50,000 Hrs, CRI ≥80

- 0-10V Dimmable
- Aluminum body, 110°+ beam angle
- Excellent illuminating uniformity is accomplished with the use of our polymer diffusing lens and acrylic covered-optics
- Damp location rated

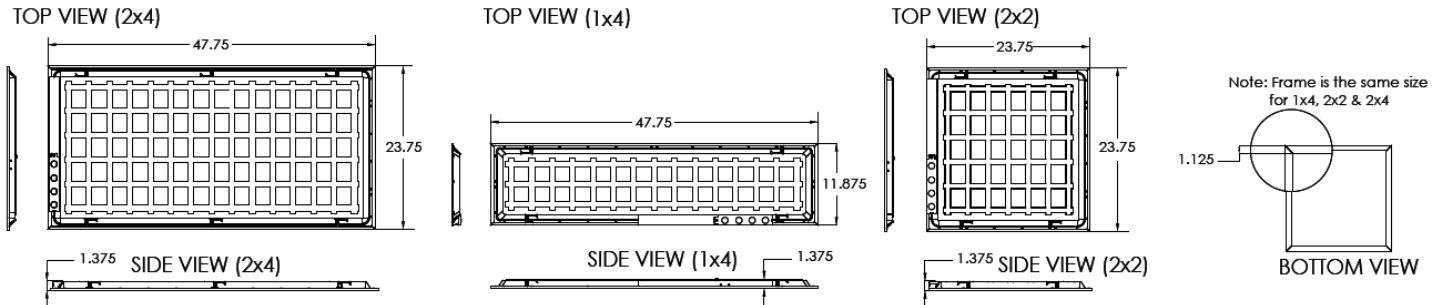
Warranty

- 5-year limited warranty in commercial use from the date of purchase
- Operating temperature range between -20°C and +40°C



Clip For recessed grid ceiling installations, our mounting clips may be used to securely mount the RGD-BLP luminaire to the T-Bar frame or as to act as suspension points.

Dimensional drawing



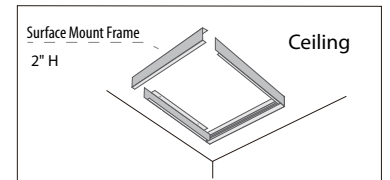
Ordering Information Example: RGD-BLP2/22/MW/MK/120-347/D

Family Name	Fixture Type	Size	Wattage	CCT (Kelvin)	Voltage	Dimmable
RGD (Rigid)	BLP2 (Backlit Panel)	22 (2'x2')	40W-36W-30W (2'x2')	35-40-50K	120-347V	D (0-10V Dim)
		14 (1'x4')	40W-36W-30W (1'x4')			
		24 (2'x4')	45W-40W-36W (2'x4')			

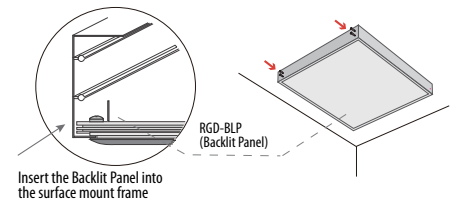
	W	L	H
2'x2'	23.75"	23.75"	1.375"
1'x4'	11.875"	47.75"	1.375"
2'x4'	23.75"	47.75"	1.375"

Product Specification

Ordering Code	DLC (Premium)	Model Number	Wattage (W)	Voltage (V)	Hour Rating	Initial Delivered Lumens (lumen)	CCT (K)	CRI	Case QTY.
3665311	Yes	RGD-BLP2/22/MW/MK/120-347/D	40-36-30W	120-347V	50,000	4917-4500-3750	35K-40K-50K	>80	2
3665312	Yes	RGD-BLP2/14/MW/MK/120-347/D	40-36-30W	120-347V	50,000	4969-4500-3750	35K-40K-50K	>80	2
3665313	Yes	RGD-BLP2/24/MW/MK/120-347/D	45-40-36W	120-347V	50,000	5368-5000-4500	35K-40K-50K	>80	2



Ordering Code	Model Number	Description	Ordering Code	Model Number	Description
3660148	RGD-BLP/22/FRM/WH	Surface Mount Frame 2'x2' White	3660149	RGD-BLP/14/FRM/WH	Surface Mount Frame 1'x4' White
3660150	RGD-BLP/24/FRM/WH	Surface Mount Frame 2'x4' White	3660151	RGD-BLP/SUSP	Suspension Kits, (2 10' AC Cable Hangers per Kit)





LED FIXTURE

RIGID Series



LED Centre Basket RGD-CB2

Recessed commercial grade lay-in luminaire, clean contemporary low glare design
Multiple Wattage - Multiple Kelvin



Features & Benefits

120-347V LED auto-sensing driver	cUL listed, DLC Premium
Multiple Wattage and Multiple Kelvin (CCT)	L70 @ 100,000 Hrs
PC (Poly Carbonate) lens offers clean look and low glare	0-10V Dimmable
Range of sizes (1'x4', 2'x2', 2'x4' available)	High CRI (80+)
High quality metal construction in white powder coat finish	Damp location rated, Type IC

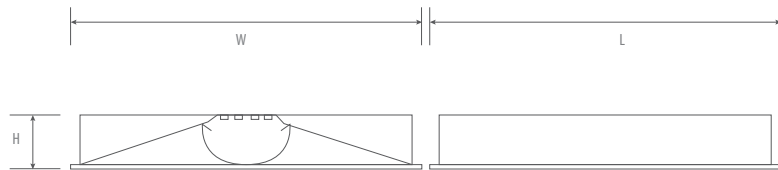
Warranty

5-year limited warranty in commercial use from the date of purchase
Operating temperature range between -20°C and +50°C

Applications

Commercial/ Industrial/ Retail location
For use in Offices, Stores, Schools, Medical buildings and wherever quality lighting is required.

Dimensional drawing



	L	W	H
2'x2'	23 3/4"	23 3/4"	2 3/4"
2'x4'	47 3/4"	23 3/4"	2 3/4"
1'x4'	47 3/4"	11 3/4"	2 3/4"

Ordering Information Example: RGD-CB2/22/MW/MK/120-347/D

Family Name	Fixture Type	Size	Wattage	CCT (Kelvin)	Voltage	Dimmable
RGD (Rigid)	CB2 (Centre Basket)	22 (2'x2') 14 (1'x4') 24 (2'x4')	30W-25W-20W (2'x2') 30W-25W-20W (1'x4') 45W-38W-34W (2'x4')	35-40-50K	120-347V	D (0-10V Dim)

Product Specification

Ordering Code	DLC Premium	Model Number	Wattage (W)	Input Voltage (V)	Hour Rating	Initial Delivered Lumens (lumen)	CCT (K)	CRI	Dimension (inch)	Case QTY.
3664303	Yes	RGD-CB2/14/MW/MK/120-347V/D	30-25-20W	120-347V	100,000	3870-3125-2500	35K-40K-50K	>80	11 3/4" x 47 3/4"	1
3664304	Yes	RGD-CB2/22/MW/MK/120-347V/D	30-25-20W	120-347V	100,000	3780-3125-2500	35K-40K-50K	>80	23 3/4" x 23 3/4"	1
3664305	Yes	RGD-CB2/24/MW/MK/120-347V/D	45-38-34W	120-347V	100,000	5850-4750-4250	35K-40K-50K	>80	23 3/4" x 47 3/4"	1



LED FIXTURE

RIGID Series



LED Commercial Downlight RGD-CDF

Designed to replace traditional CFL fixtures.
Wide range of lumen packages and aperture sizes for every application.
No voltage guess work, 120-347V Auto-Sensing Driver.
Multiple Wattage and Multiple Kelvin Selection



Features & Benefits

Energy Star approved, cUL listed	120V-347V Auto-Sensing Driver
Switchable CCT (30K/35K/40K), Switchable Wattage	0-10V Dimming
Range of sizes (4", 6", 8", 10" available)	Beam angle: 4° 95°, 6"-8"-10" 106°+
Die-cast aluminum body material, White Finish	High CRI (90+)
L70 @ 50,000 HRS	Damp location rated
24" flexible conduit w/ Strain relief, 15" Safety Cable	

Applications

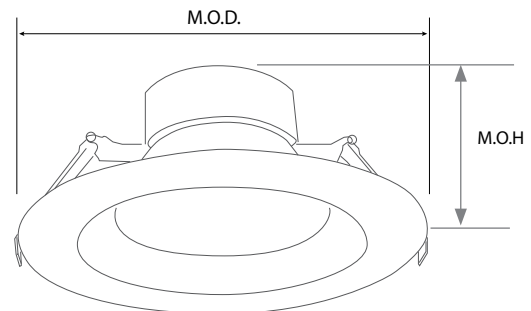
Residential / Commercial, Schools, Retirement Homes, University, Supermarkets, Shops, Hotels, Conference Rooms, Office Lighting, Show Room, Corridor, Kitchens, vestibules, wall niche and etc.

Warranty

5-year limited warranty in commercial use from the date of purchase
Operating temperature range between -20°C and +40°C

Dimensional drawing

	Cut-out	M.O.D.	M.O.H
RGD-CDF/4	3.75"	5.91"	3.5"
RGD-CDF/6	6.0"	8.29"	4.0"
RGD-CDF/8	7.5"	10.26"	4.25"
RGD-CDF/10	8.5"	11.28"	4.75"



Product Specification

Ordering Code	Model Number	Wattage (W)	Input Voltage (V)	Hour Rating	Initial Delivered Lumens (lumen)	CCT (K)	CRI	Damp Location	M.O.D (inch)	Case QTY.
3662223	RGD-CDF/4/12W/MK9/120-347V/WH/D	12	120-347V	50,000	930	30-35-40	≥90	Yes	5.91"	6
3662224	RGD-CDF/6/MW/MK9/120-347V/WH/D	10-12-17	120-347V	50,000	800-1000-1400	30-35-40	≥90	Yes	8.29"	6
3662225	RGD-CDF/8/MW/MK9/120-347V/WH/D	14-17-20	120-347V	50,000	1200-1450-1750	30-35-40	≥90	Yes	10.26"	6
3662226	RGD-CDF/10/MW/MK9/120-347V/WH/D	30-35-40	120-347V	50,000	2300-2700-3150	30-35-40	≥90	Yes	11.28"	6

Ordering Information Example: RGD-CDF/10/MW/MK9/120-347V/WH/D

Family Name	Fixture Type	Size	Wattage	CCT (Kelvin)	Voltage	Finish	Dimmable
RGD (Rigid)	CDF (Commercial Downlight)	4 (4") 6 (6") 8 (8") 10 (10")	12W MW (Multi Wattage)	MK9 (Multi CCT)	120-347V	WH (White)	D (Dimmable)



Round Frame

Square Frame

LED FIXTURE

RIGID series



LED MULTI SPOTLIGHT

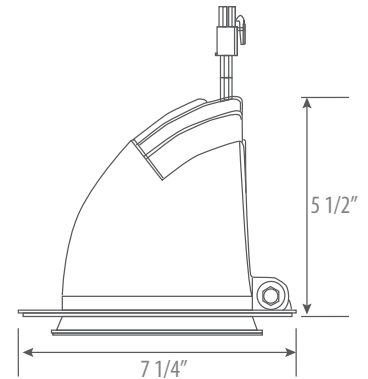
Design for accent lighting, general lighting and vertical lighting



RGD-LAD



Dimensional drawing



Features & Benefits

Anti-glare design, square frame optional	Up to 100lm/W
Beam angle: 24°, 38°, 60° and 80°x45°	350° gimbal and 50° adjustable
Ultra low glare light with shielding angle 15°	High power factor over 0.95
High CRI 82+	Type Non IC, for commercial new construction building

Warranty

5-year limited warranty in commercial use from the date of purchase
 Operating temperature range between -20°C and +40°C
 Energy Star, ETL listed

Applications

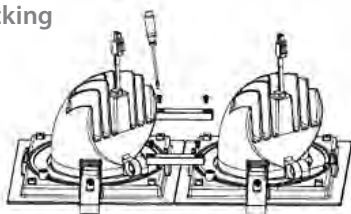
Residential, Retail, Art Gallery, Museum, Automotive and Parking, Hospitality, Offices and Banks, etc.

Product Specification

Energy Star	Model Number	Size*	Wattage (W)	Input Voltage (V)	CCT Optial	Beam Angle	Power Factor	Dimmable	Lumen Flux	CRI Optial
Yes	RGD-LAD/6/21W/120/30K/38/RD/D/WH	6" DIA	21	120	3000K	24°, 38°, 60°, 80°x45°	>0.95	Triac/ELV(option)	2,050lm	CRI82
Yes	RGD-LAD/6/43W/120/30K/60/RD/D/WH	6" DIA	43	120	3000K	24°, 38°, 60°, 80°x45°	>0.95	1-10V Dim	4,000lm	CRI82
	RGD-LAD/SQ	Square frame 6.88" x 6.88", square frame sold separately (field install)								
	RGD-LAD/JOINER	1 set per square frame								

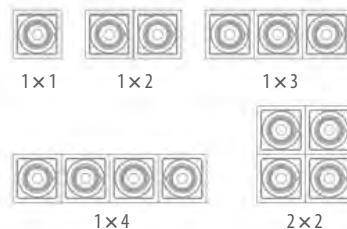
*Cut out 6 11/16"

Docking



Make sure the frame are at the same direction.
 Screw the docking blocks to fix the frame

Finished



Round Spotlight

Ordering Information

Example: RGD-LAD/6/22W/120/30K/38/RD/D/WH

FAMILY NAME	FIXTURE TYPE	SIZE	WATTAGE	INPUT VOLTAGE (V)	CCT	BEAM ANGLE	FRAME	DIMMABLE	COLOR FINISH
RGD (Rigid)	LAD (Linkable, Adjustabl Downlight)	6 (6")	21W 43W**	120	30K	38	RD (Round) SQ (Square)	D	WH (White)

**43W 1-10V Dim, non IC



LED FIXTURE

RIGID Series

LED 3" DOWNLIGHT

RGD-SMT

3" Dimmable LED Downlight



with surface trim

with deep trim

Features & Benefits

cETL rated, Type IC rated

6W 480lm, 8W 700lm, 12W 1000lm and 13W 820lm selection

3000K (6W, 8W & 12W), DIM-to-Warm 2000K-3000K(13W)

120V Input, PF>0.9

Brush Nickel, White or Black trim

TRIAC/ ELV (10-100%) dimming, beam angle 38°

High CRI (82+), CRI (95+) for 13W

L70@ 50000 Hrs

Damp location approved

Warranty

5-year limited warranty in commercial use from the date of purchase

Operating temperature range between -20°C and +40°C

Applications

Residential / Commercial, Schools, Retirement Homes, University, Supermarkets, Shops, Hotels, Conference Rooms, Office Lighting, Show Room, Corridor, Kitchens etc.

Surface Trims

RGD-SMT/531 IP20



RGD-SMT/531 IP65



RGD-SMT/532 IP20



RGD-SMT/532 IP65



Deep Trims

RGD-SMT/591



RGD-SMT/592



RGD-SMT/593



RGD-SMT/594





LED 3" DOWNLIGHT

RGD-SMT

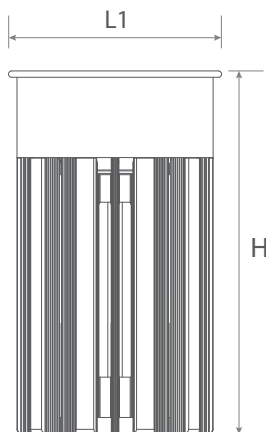
Ordering Information Example: RGD-SMT/3/6W/30/120/38/D

Family Name	Fixture Type	Size	Wattage	CCT (Kelvin)	Voltage (V)	Beam Angle	Dimmable	Trim
RGD (Rigid)	SMT (Module & Driver, Down Light)	3 (3")	6W 8W 12W 13W	30 (3000K) 13W, (2000K-3000K Dim to Warm)	120 (120V)	38 (38°)	D (TRIAC/ ELV (10-100%)) DTW (2000K-3000K Dim to Warm)	Refer to Chart

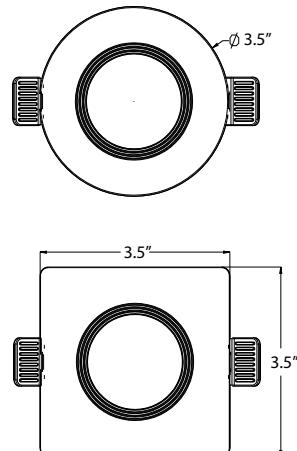
Product Specification

Ordering Code	Model Number	Description	Wattage (W)	Voltage (V)	Hour Rating	Initial Lumens (lumen)	CCT (K)	CRI	Damp Location	Case QTY.	
3662140	RGD-SMT/3/6W/30/120/38/D	3" Recess Module & Driver, Down Light, 6W, 30K, Dimmable, FT4 Cable	6	120	50,000	480	3000	82	Yes	12	
3662141	RGD-SMT/3/8W/30/120/38/D	3" Recess Module & Driver, Down Light, 8W, 30K, Dimmable, FT4 Cable	8	120	50,000	700	3000	82	Yes	12	
3662142	RGD-SMT/3/12W/30/120/38/D	3" Recess Module & Driver, Down Light, 12W, 30K, Dimmable, FT4 Cable	12	120	50,000	1000	3000	82	Yes	12	
3662143	RGD-SMT/3/13W/30/120/38/DTW	3" Recess Module & Driver, Down Light, 13W, 30K, Dim to Warm, FT4 Cable	13	120	50,000	820	2000-3000	95	Yes	12	
3660098	RGD-SMT/531/BN	3" Dia. Brushed Nickel, Adjustable Trim, Damp Location, IP20, IC Rated	<p>Surface trims (3.2" cut-out)</p> 								
3660099	RGD-SMT/531/WH	3" Dia. White, Adjustable Trim, Damp Location, IP20, IC Rated									
3660127	RGD-SMT/531/BK	3" Dia. Black, Adjustable Trim, Damp Location, IP20, IC Rated									
3660100	RGD-SMT/531/WP/BN	3" Dia. Brushed Nickel, Fixed Trim, Wet Location, IP65, IC Rated									
3660101	RGD-SMT/531/WP/WH	3" Dia. White, Fixed Trim, Wet Location, IP65									
3660128	RGD-SMT/531/WP/BK	3" Dia. Black, Fixed Trim, Wet Location, IP65									
3660102	RGD-SMT/532/BN	3" SQ. Brushed Nickel, Adjustable Trim, Damp Location, IP20, IC Rated									
3660103	RGD-SMT/532/WH	3" SQ. White, Adjustable Trim, Damp Location, IP20, IC Rated									
3660129	RGD-SMT/532/BK	3" SQ. Black, Adjustable Trim, Damp Location, IP20, IC Rated									
3660104	RGD-SMT/532/WP/BN	3" SQ. Brushed Nickel, Fixed Trim, Wet Location, IP65, IC Rated									
3660105	RGD-SMT/532/WP/WH	3" SQ. White, Fixed Trim, Wet Location, IP65, IC Rated	<p>Deep trims (3.2" cut-out)</p> 								
3660130	RGD-SMT/532/WP/BK	3" SQ. Black, Fixed Trim, Wet Location, IP65, IC Rated									
3660106	RGD-SMT/591/WH	3" Dia. White, Adjustable Regressed Open Trim, Damp Location, IP20, IC Rated									
3660107	RGD-SMT/592/WH	3" Dia. White, Adjustable Regressed Pinhole Trim, Damp Location, IP20, IC Rated									
3660108	RGD-SMT/593/WH	3" Dia. White, Adjustable Regressed Wallwash Trim, Damp Location, IP20, IC Rated									
3660109	RGD-SMT/594/WH	3" Dia. White, Adjustable Regressed Slot Hole Trim, Damp Location, IP20, IC Rated									

Module & Trim Dimensional Drawing



	M.O.L1	H
6W	1.97"	1.98"
8W	1.97"	1.98"
12W	1.97"	3.36"
13W	1.97"	3.36"





LED FIXTURE

RIGID Series

LED 4" GIMBAL
RGD-CHY/4

4" gimbal light, CCT switchable



Packaging Inside



Features & Benefits

3 Colour temperature switchable (3000K, 4000K, 5000K)

Available in Brush Nickel, Black and White

8W, 700lm

120V Input, PF>0.94

Adjustable with 360° rotation

Beam angle 40°

TRIAC dimmable

High CRI (80+)

Type IC rated, FT4 cable

L70@ 39000hrs

Damp location approved

Default with 4" trim, 3" trim sold separately

Warranty

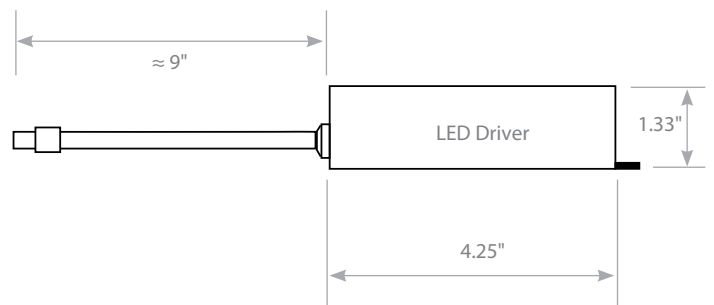
5-year limited warranty in commercial use from the date of purchase

Operating temperature range between -20°C and +40°C

Applications

Residential / Commercial, Schools, Retirement Homes, University, Supermarkets, Shops, Hotels, Conference Rooms, Office Lighting, Show Room, Corridor, Kitchens etc.

Dimensional drawing



	H	Cut Out Size
3" Trim	1.8"	2.6"
4" Trim	2.25"	2.6"




LED 4" GIMBAL

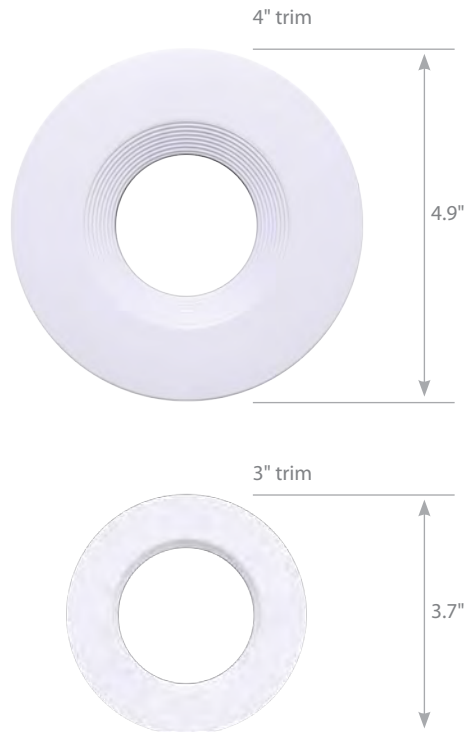
RGD-CHY/4

Ordering Information Example: RGD-CHY/4/8W/MULTI-K/WH/D

Family Name	Fixture Type	Trim Size	Wattage	CCT (Kelvin)	Dimmable
RGD (Rigid)	CHY (Module & Driver, Gimbal Light)	4 (4")	8W	MULTI-K (3000K, 4000K, 5000K Switchable)	D (TRIAC Dimmable)

Product Specification

Ordering Code	Model Number	Description	Wattage (W)	Voltage (V)	Hour Rating	Lumens (lm)	CCT (K)	CRI	Damp Location	Case QTY.
3662146	RGD-CHY/4/8W/MULTI-K/WH/D	RIGID 4" Dia. White, Gimbal Module & Trim, Selectable CCT, Triac Dimmable, 120V, 40 Deg. FT4 Cable	8	120	39,000	700	30/40/50	≥80	Yes	40
3662147	RGD-CHY/4/8W/MULTI-K/BN/D	RIGID 4" Dia. Brushed Nickel, Gimbal Module & Trim, Selectable CCT, Triac Dimmable, 120V, 40 Deg. FT4 Cable	8	120	39,000	700	30/40/50	≥80	Yes	40
3662148	RGD-CHY/4/8W/MULTI-K/BLK/D	RIGID 4" Dia. Black, Gimbal Module & Trim, Selectable CCT, Triac Dimmable, 120V, 40 Deg. FT4 Cable	8	120	39,000	700	30/40/50	≥80	Yes	40
3660124	RGD-CHY/3/TRIM/WH	RIGID 3" Dia. White Trim								
3660125	RGD-CHY/3/TRIM/BN	RIGID 3" Dia. Brushed Nickel Trim								
3660126	RGD-CHY/3/TRIM/BLK	RIGID 3" Dia. Black Trim								



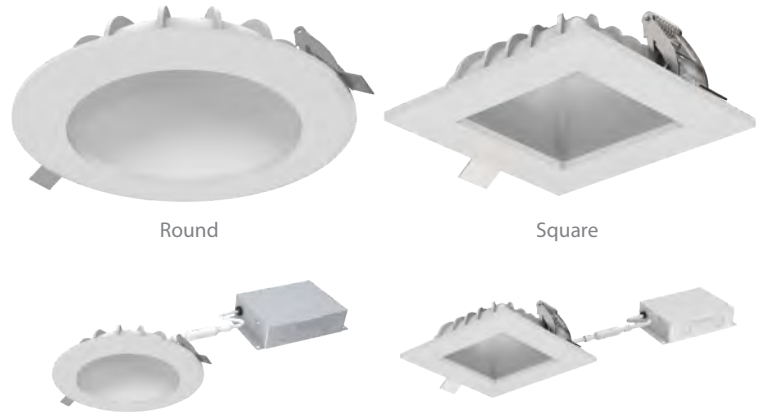


LED FIXTURE

RIGID Series

LED Ceiling Dome Light RGD-CD

LED 4" & 6" ceiling dome light, round / square shape



Features & Benefits

- cETL listed

- Special design to reduce glare for a better quality of light

- Gentle light comes out after being redirected off of the reflector lighting without a visible light source

- Die-cast aluminum body material with good heat dissipation

- White, Black Finish available

- L70 @ 50,000 HRS

- 120V

- Triac dimming

- High CRI (80+)

- Damp location rated (with feed through wiring)

- Independent drive junction box, with quick connects FT4 cable

Warranty

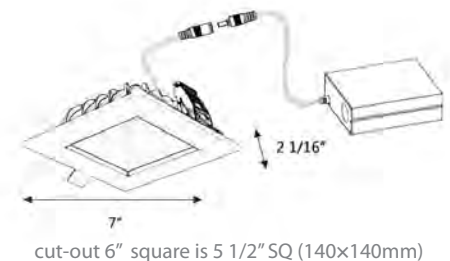
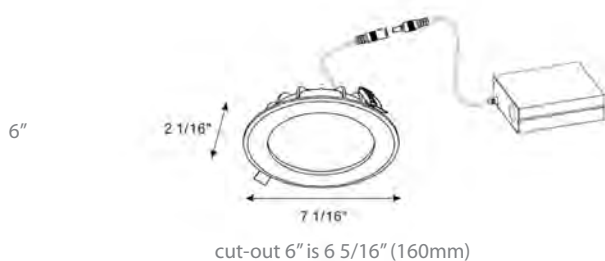
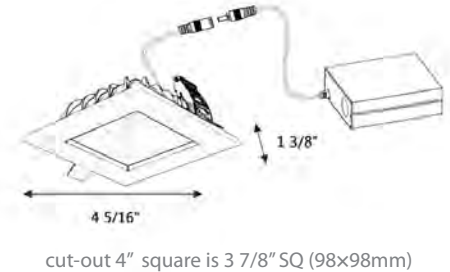
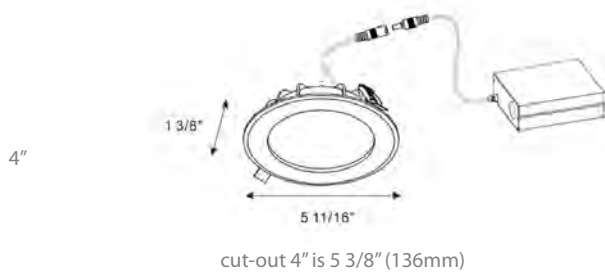
- 3-year limited warranty in commercial use from the date of purchase

- Operating temperature range between -20°C and +40°C

Applications

Residential / Commercial, Schools, Retirement Homes, University, Supermarkets, Shops, Hotels, Conference Rooms, Office Lighting, Show Room, Corridor, Kitchens, vestibules, wall niche and etc.

Dimensional drawing





LED Ceiling Dome Light

RGD-CD

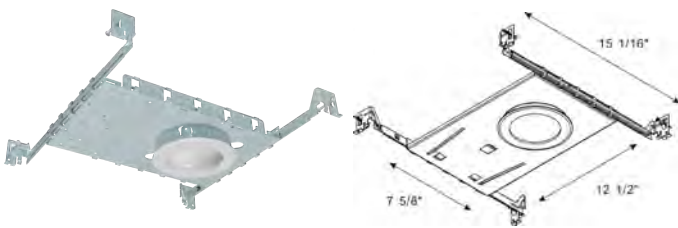
Ordering Information Example: RGD-CD/4/10W/30/D/WH

Family Name	Fixture Type	Size	Shape	Wattage	CCT	Dimmable	Body Finish	Options
RGD (Rigid)	CD (Ceiling Dome)	4 (4") 6 (6")	Blank (Round) S (Square)	10W 14W	30 (3000K)	D (Dimmable)	WH (White) BK (Black)	CD-NC4R CD-NC4S CD-NC6R CD-NC6S

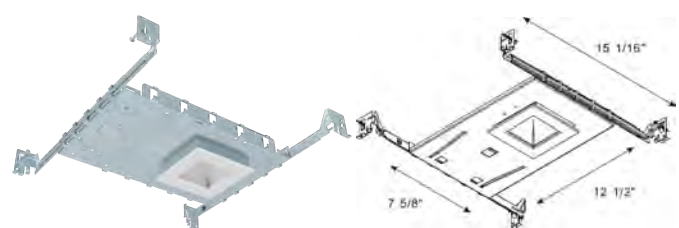
Product Specification

Ordering Code	Model Number	Wattage (W)	Input Voltage (V)	Hour Rating	Initial Delivered Lumens (lumen)	CCT (K)	CRI	Damp Location*	M.O.D (inch)	M.O.H (inch)
3662128	RGD-CD/4/10W/30/D/WH	10	120V	50,000	650	3000K	>80	Yes	5 11/16"	1 3/8"
3662129	RGD-CD/6/14W/30/D/WH	14	120V	50,000	850	3000K	>80	Yes	7 1/16"	2 1/16"
3662130	RGD-CD/4/S/10W/30/D/WH	10	120V	50,000	650	3000K	>80	Yes	4 5/16"	1 3/8"
3662131	RGD-CD/6/S/14W/30/D/WH	14	120V	50,000	850	3000K	>80	Yes	7"	2 1/16"
3660064	CD-NC4R	Ceiling dome light, new construction mounting plate for round 4"								
3660065	CD-NC6R	Ceiling dome light, new construction mounting plate for round 6"								
3660066	CD-NC4S	Ceiling dome light, new construction mounting plate for square 4"								
3660067	CD-NC6S	Ceiling dome light, new construction mounting plate for square 6"								

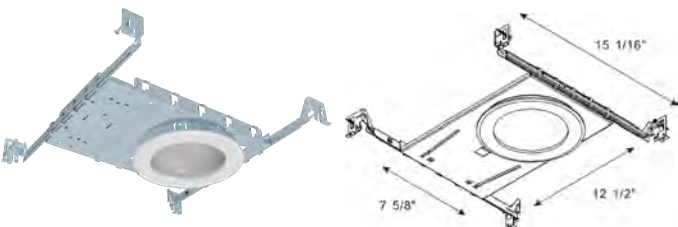
* Damp location rated (with feed through)



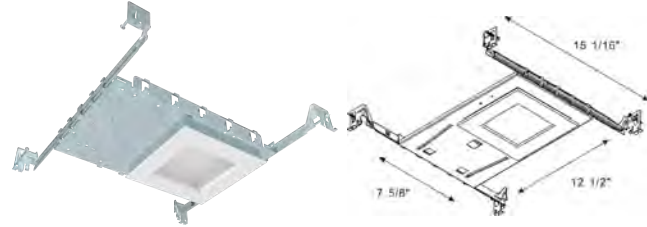
CD-NC4R



CD-NC4S



CD-NC6R



CD-NC6S



LED FIXTURE

RIGID Series

LED Slim Panel

RGD-SP2

LED 4" Slim Panel, 120V
5 Multi-K selectable



Features & Benefits

- _____ cETL listed, Energy Star
- _____ Type IC Rated – approved for direct contact with insulation
- _____ Isolated internal driver in junction box – fast and easy to install
- _____ 5 CCT colour selectable 2700/3000/3500/4000/5000K
- _____ Finish Color White (Interchangeable trim ring for black or brushed nickel finish)
- _____ Wet location rated

- _____ L70 @ 50,000 Hrs
- _____ High CRI (90+)
- _____ PC lens aluminium body
- _____ Triac dimmable
- _____ Beam angle 120°
- _____ FT6 cable

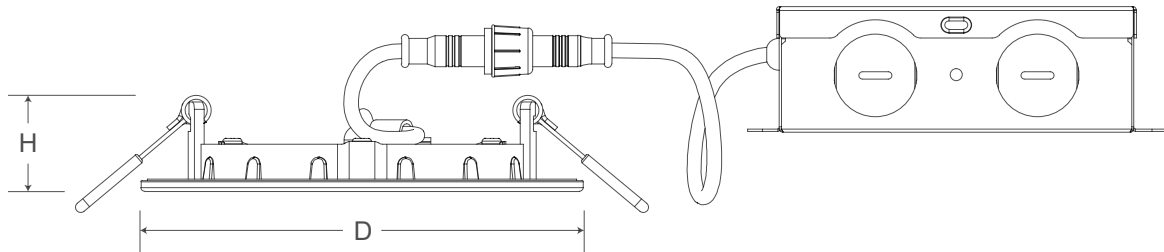
Warranty

- _____ 5-year limited warranty in commercial use from the date of purchase
- _____ Operating temperature range between -20°C and +40°C

Applications

Residential / Commercial, Schools, Retirement Homes, University, Supermarkets, Shops, Hotels, Conference Rooms, Office Lighting, Show Room, Corridor, Kitchens etc.

Dimensional drawing



	M.O.D	Cut-Out	H
SP2/4	4.92"	4"	1.04"




LED Slim Panel

RGD-SP2

Ordering Information Example: RGD-SP2/4/8W/5CCT/WH/D

Family Name	Fixture Type	Size	Wattage	CCT (Kelvin)	Finish Color	Dimmable	Options
RGD (Rigid)	SP2 (Slim Panel)	4 (4")	8W	5CCT (27K/30K/35K/40K/50K switchable)	WH (White)	D (Triac Dimmable)	Black Trim Ring Brush Nickel Trim Ring (Sell seperately)

Product Specification

Ordering Code	ES	Model Number	Wattage (W)	Input Voltage (V)	Hour Rating	Initial Lumens (lumen)	CCT (K) Adjustable	CRI	Beam Angle	Wet Location	Dimmable	Dimension D×H (inch)	Case QTY.
3662160	Yes	RGD-SP2/4/8W/5CCT/WH/D	8	120V	50,000	630	27/30/35/40/50	90	120°	Yes	Y	4.92" × 1.04"	6
3660094		RGD-SP/4/CCT/BK	RIGID 4" Slim Panel, Black Trim Ring								4.92"		
3660095		RGD-SP/4/CCT/BN	RIGID 4" Slim Panel, Brush Nickel Trim Ring								4.92"		



LED FIXTURE

RIGID Series



LED Slim Panel

RGD-SP

Slim design switchable CCT, 347V



Features & Benefits

- _____ Type IC Rated – approved for direct contact with insulation
- _____ Isolated internal driver in junction box – fast and easy to install
- _____ Switchable CCT (30K/40K/50K)
- _____ Range of sizes (4", 6", 8" available)
- _____ Finish Color White (Interchangeable trim ring for black or brushed nickel finish)
- _____ Wet location rated
- _____ J-Box c/w 3x3 wire quick connectors, allowing for easy through wiring

- _____ Energy Star approved
- _____ L70 @ 50,000 Hrs
- _____ 347V - Non dimmable, FT6 cable
- _____ High CRI (80+)
- _____ 347V LED Driver, PF>0.9
- _____ PC lens aluminium body
- _____ Beam angle 110°

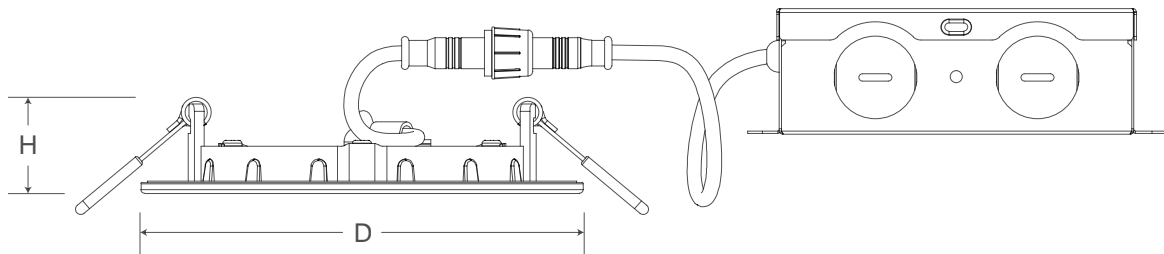
Warranty

- _____ 5-year limited warranty in commercial use from the date of purchase
- _____ Operating temperature range between -20°C and +40°C

Applications

Residential / Commercial, Schools, Retirement Homes, University, Supermarkets, Shops, Hotels, Conference Rooms, Office Lighting, Show Room, Corridor, Kitchens etc.

Dimensional drawing



	M.O.D	Cut-Out	H
SP/4	4.92"	4"	0.96"
SP/6	6.77"	6.1"	0.96"
SP/8	9.13"	8.2"	0.96"



LED Slim Panel

RGD-SP

Ordering Information Example: RGD-SP/4/8W/MULTI-K/347V/WH

Family Name	Fixture Type	Size	Wattage	CCT (Kelvin)	Voltage	Finish Color	Options
RGD (Rigid)	SP (Slim Panel)	4 (4") 6 (6") 8 (8")	8W 10.5W 24.5W	MULTI-K (Multiple CCT, 30K/40K/50K Switchable)	347V	WH (White)	Black Trim Ring Brush Nickel Trim Ring (Sell seperately)

Product Specification

Ordering Code	ES	Model Number	Wattage (W)	Input Voltage (V)	Hour Rating	Initial Lumens (lumen)	CCT (K) Adjustable	CRI	Beam Angle	Wet Location	Dimmable	Dimension D×H (inch)	Case QTY.
3662221	Yes	RGD-SP/4/8W/MULTI-K/347V/WH	8	347	50,000	650	30/40/50	>80	110°	Yes	N	4.92" × 0.96"	6
3662222	Yes	RGD-SP/6/10.5W/MULTI-K/347V/WH	10.5	347	50,000	1000	30/40/50	>80	110°	Yes	N	6.77" × 0.96"	6
3664212	Yes	RGD-SP/8/24.5W/MULTI-K/347V/WH	24.5	347	50,000	2100	30/40/50	>80	110°	Yes	N	9.13" × 0.96"	6
3660094		RGD-SP/4/CCT/BK	RIGID 4" Slim Panel, Black Trim Ring for 3-CCT Selectable									4.92"	
3660095		RGD-SP/4/CCT/BN	RIGID 4" Slim Panel, Brush Nickel Trim Ring for 3-CCT Selectable									4.92"	
3662120		RGD-SP/6/BK	RIGID 6" Slim Panel, Black Trim Ring for 3-CCT Selectable									6.77"	
3662121		RGD-SP/6/BN	RIGID 6" Slim Panel, Brush Nickel Trim Ring for 3-CCT Selectable									6.77"	
3664113		RGD-SP/8/BK	RIGID 8" Slim Panel, Black Trim Ring for 3-CCT Selectable									9.13"	
3664115		RGD-SP/8/BN	RIGID 8" Slim Panel, Brush Nickel Trim Ring for 3-CCT Selectable									9.13"	



LED FIXTURE

RIGID Series

LED Slim Panel PRO-SP2

Slim design allows it to be installed in low plenum ceilings.



Features & Benefits

- Type IC Rated – approved for direct contact with insulation, FT4 rated cable
- Isolated internal driver in junction box – fast and easy to install
- Finish colour white, damp location rated
- PC lens aluminium body, 120° beam angle

- Energy Star
- L70 @ 60000 Hrs, High CRI (80+)
- Dimmable Triac down to 10%
- PL-AMP4 mounting plate ordered separately

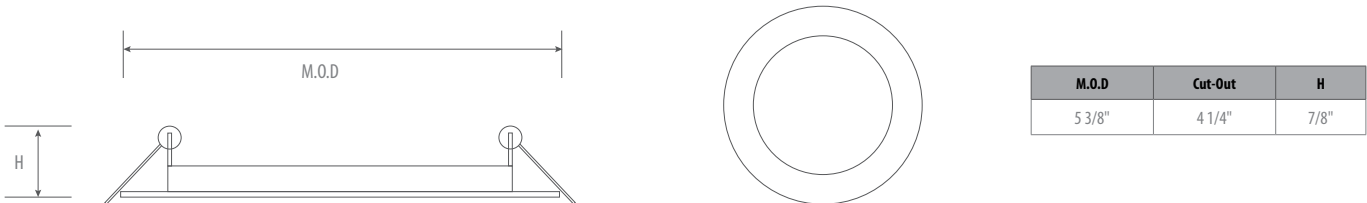
Warranty

- 3-year limited warranty
- Operating temperature range between -20°C and +40°C

Applications

Residential / Commercial, Schools, Retirement Homes, University, Supermarkets, Shops, Hotels, Conference Rooms, Office Lighting, Show Room, Corridor, Kitchens etc.

Dimensional drawing



Ordering Information Example: PRO-SP/4/9.5W/30/120/WH/D

Family Name	Fixture Type	Size	Wattage	CCT (Kelvin)	Voltage	Finish Color	Dimmable
PRO	SP2 (Slim Panel)	4 (4")	9W	30 (3000K) 40 (4000K)	120 (120V)	WH (White) BN (Brushed Nickel)	TRIAC

Product Specification

Ordering Code	Energy Star	Model Number	Wattage (W)	Input Voltage (V)	Hour Rating(Hrs)	Initial Delivered Lumens (lumen)	CCT (K)	CRI	Case QTY.
3662138	Yes	PRO-SP2/4/9W/30/120/WH/D	9W	120V	60,000	650	3000	≥80	50
3662139	Yes	PRO-SP2/4/9W/40/120/WH/D	9W	120V	60,000	650	4000	≥80	50
3662156	Yes	PRO-SP2/4/9W/30/120/BN/D	9W	120V	60,000	650	3000	≥80	50



Pot Light Mult-Cutout Plate

PL-AMP-MULTI-V

Ordering Code: 3660147

One Plate for all Turolight 4 family recessed LED fixtures
(RGD-CHY, RGD-SMT, RGD-SP/4, PRO-SP2/4)

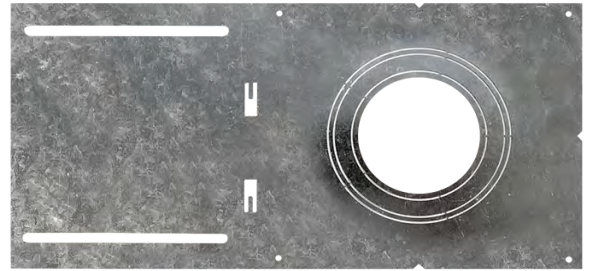
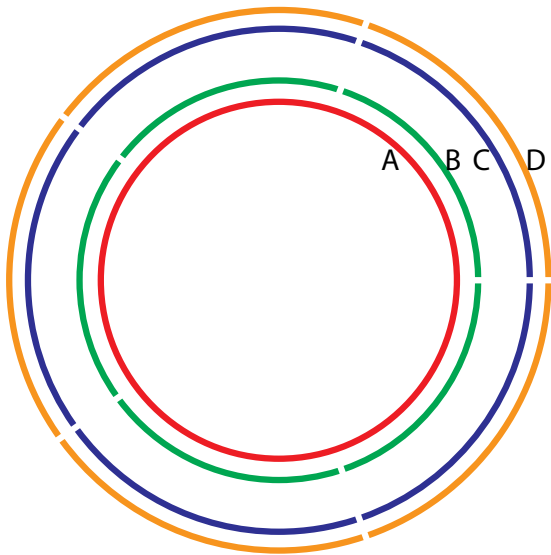


Plate dimensions 13.3" x 6.5"

One Plate for all Turolight 4 family recessed LED fixtures.



Easy K.O. type rings to achieve the desired cut-out.

■ A-Cutout for CHY Series (all) & SMT Series 53-Trims

■ B-Cutout for SMT Series 59-Trims

■ C--Cutout for RGD-SP/4/Multi-K Series
& RGD-CDF/4/MW/MK Series

■ D-Cutout for PRO-SP2/4 Series



LED 4" Gimbal
RGD-CHY/4



LED 3" Downlight
RGD-SMT



RGD-SMT/53 Series Trim



RGD-SMT/59 Series Trim



LED 4" Slim Panel
RGD-SP/4
PRO-SP2/4



LED 4" Commercial Downlight
RGD-CDF/4/MW/MK



LED FIXTURE

RIGID Series

LED Discus RGD-HS

Slim design switchable CCT



Features & Benefits

- _____ Slim design H ≈ 0.6"
- _____ Mounts directly to J-box or retrofit 4", 5", 6" downlight
- _____ Switchable CCT (30K/40K/50K)
- _____ Range of sizes (4", 6", 8", 11" available)
- _____ Finish color white (interchangeable trim ring for matt black or satin nickel finish)
- _____ Damp location rated

- _____ Energy Star approved
- _____ L70 @ 50,000 Hrs
- _____ 120V - TRIAC dimmable down to 10%
- _____ High CRI (80+)
- _____ Beam angle 120°

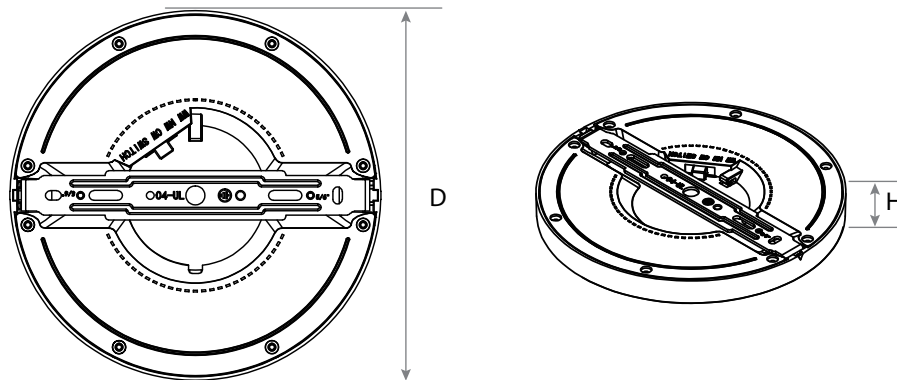
Warranty

- _____ 5-year limited warranty in commercial use from the date of purchase
- _____ Operating temperature range between -20°C and +40°C

Applications

Residential / Commercial, Schools, Retirement Homes, University, Supermarkets, Shops, Hotels, Conference Rooms, Office Lighting, Show Room, Corridor, Kitchens etc.

Dimensional drawing



	M.O.D	M.O.H
HS/4	5 1/2"	0.61"
HS/6	6 1/2"	0.59"
HS/8	8 1/2"	0.59"
HS/11	11 1/2"	0.61"



LED Discus



RGD-HS



Ordering Information Example: RGD-HS/4/8W/MULTI-K/WH/D

Family Name	Fixture Type	Size	Wattage	CCT (Kelvin)	Finish Color	D	Options
RGD (Rigid)	HS (Surface Discus)	4 (4") 6 (6") 8 (8") 11 (11")	6W 12W 18W 24W	MULTI-K (Multiple CCT, 30K/40K/50K Switchable) 30K (3000K, 11")	WH (White)	D (Dimmable)	Matt Black Trim Ring Satin Nickel Trim Ring (Sold separately)

Product Specification

Ordering Code	ES	Model Number	Wattage (W)	Input Voltage (V)	Hour Rating	Initial Lumens (lumen)	CCT (K) Adjustable	CRI	Beam Angle	Damp Location	Dimmable	Dimension DxH (inch)	Case QTY.
3662144	Yes	RGD-HS/4/6W/MULTI-K/WH/D	6	120	50,000	420	30/40/50	≥80	120°	Yes	Y	5 1/2" x 0.61"	60
3662145	Yes	RGD-HS/6/12W/MULTI-K/WH/D	12	120	50,000	840	30/40/50	≥80	120°	Yes	Y	6 1/2" x 0.59"	40
3663127	Yes	RGD-HS/8/18W/MULTI-K/WH/D	18	120	50,000	1260	30/40/50	≥80	120°	Yes	Y	8 1/2" x 0.59"	20
3664134	Yes	RGD-HS/11/24W/MULTI-K/WH/D	24	120	50,000	1920	30/40/50	≥80	120°	Yes	Y	11 1/2" x 0.61"	10
3664151	Yes	RGD-HS/11/24W/30K/WH/D	24	120	50,000	1920	3000	≥80	120°	Yes	Y	11 1/2" x 0.61"	10
3660112	-	RGD-HS/4/SN	Satin Nickel Metal Trim for HS/4, (Dia. 141.0mm, Height 15.6mm)										
3660113	-	RGD-HS/4/MB	Matt Black Metal Trim for HS/4, (Dia. 141.0mm, Height 15.6mm)										
3660114	-	RGD-HS/6/SN	Satin Nickel Metal Trim for HS/6, (Dia. 166.2mm, Height 15.6mm)										
3660115	-	RGD-HS/6/MB	Matt Black Metal Trim for HS/6, (Dia. 166.2mm, Height 15.6mm)										
3660116	-	RGD-HS/8/SN	Satin Nickel Metal Trim for HS/8, (Dia. 218.8mm, Height 15.6mm)										
3660117	-	RGD-HS/8/MB	Matt Black Metal Trim for HS/8, (Dia. 218.8mm, Height 15.6mm)										
3660118	-	RGD-HS/11/SN	Satin Nickel Metal Trim for HS/11, (Dia. 293.6mm, Height 15.6mm)										
3660119	-	RGD-HS/11/MB	Matt Black Metal Trim for HS/11, (Dia. 293.6mm, Height 15.6mm)										
3660120	-	RGD-HS/4/TC/KIT	Tension Clip For HS/4, Includes 1pc E26 Adaptor, 2 clips to Fit 4" Housing										
3660121	-	RGD-HS/5/6/TC/KIT	Tension Clip For HS/6/8/11, Includes 1pc E26 Adaptor, 2 clips Fit 5/6" Housing										

RGD-HS/4/TC/KIT
RGD-HS/5/6/TC/KIT



LED FIXTURE

RIGID Series

LED Flush Mount (Polycarbonate) RGD-FM14/MK/D/SLIM/PC

LED Slim PC round ceiling light
14", 5 Multi-K selectable



Features & Benefits

CETL listed, Energy Star

Size 14", CRI >80

5 CCT colour selectable 2700/3000/3500/4000/5000K

L70 @ 50,000 Hrs

TRIAC dimmable

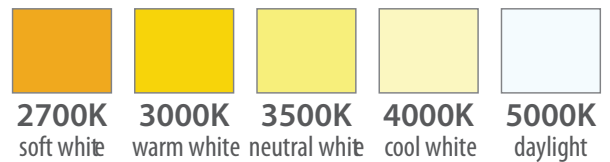
PMMA diffuser, white finish

Damp location approved

Warranty

5-year limited warranty in commercial use from the date of purchase

Operating temperature range between -20°C and +40°C



5 CCT Colour Selectable

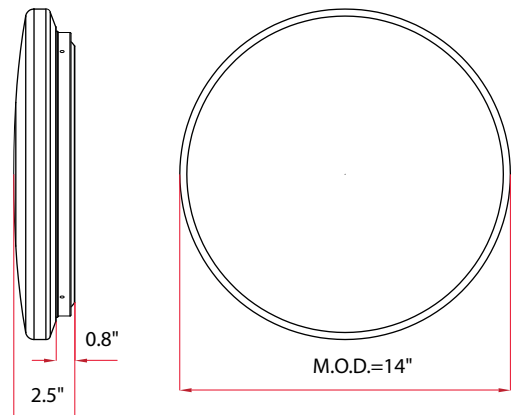
Product Specification

Ordering Code	Energy Star	Model Number	Description	Wattage (W)	Input Voltage (V)	Hour Rating	Initial Delivered Lumens (lumen)	CRI	Damp Location	M.O.D. (inch)	Case QTY.
3664155	Y	RGD-FM14/24W/MK/D/SLIM/PC	LED Flush Mount 14" 24W Multiple Kelvin Polycarbonate	24	120	50,000	1800	80	Y	14	8

Applications

Bedrooms, living rooms, hallways, kitchens and etc

Dimensional drawing



Ordering Information Example: RGD-FM14/24W/MK/D/SLIM/PC

Family Name	Fixture Type	Wattage	CCT (Kelvin)	Dimmable	Body
RGD (Rigid)	FM14 (LED 14" Flush Mount)	24W	MK (Multiple Kelvin Selection)	D (Dimmable)	SLIM/PC (Slim Polycarbonate)



LED FIXTURE

RIGID Series

LED Flush Mount (Slim 1 Ring) RGD-FM15/MK/D/1R/BN

LED Slim 1 Ring round ceiling light
15", 5 Multi-K selectable



Features & Benefits

CETL listed, Energy Star

Size 15", CRI >80

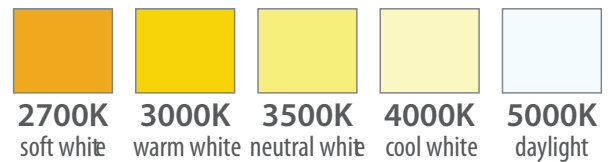
5 CCT colour selectable 2700/3000/3500/4000/5000K

L70 @ 50,000 Hrs

TRIAC dimmable

1 Ring Brushed Nickel finish, PMMA Opal lens

Damp location approved



5 CCT Colour Selectable

Warranty

5-year limited warranty in commercial use from the date of purchase

Operating temperature range between -20°C and +40°C

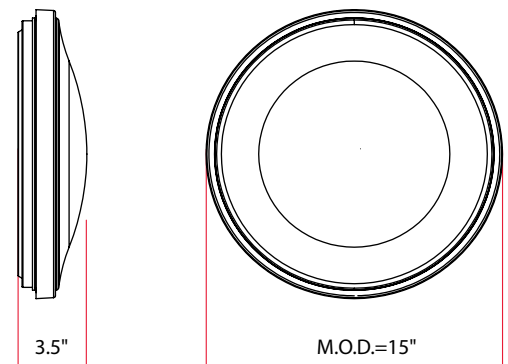
Product Specification

Ordering Code	Energy Star	Model Number	Description	Wattage (W)	Input Voltage (V)	Hour Rating	Initial Delivered Lumens (lumen)	CRI	Damp Location	M.O.D. (inch)	Case QTY.
3664156	Y	RGD-FM15/24W/MK/D/1R/BN	LED Flush Mount 15" 24W Multiple Kelvin 1Brush Nickle Ring	24	120	50,000	1800	80	Y	15	8

Applications

Bedrooms, living rooms, hallways, kitchens and etc

Dimensional drawing



Ordering Information Example: RGD-FM15/24W/MK/D/1R/BN

Family Name	Fixture Type	Wattage	CCT (Kelvin)	Dimmable	Body
RGD (Rigid)	FM15 (LED 15" Flush Mount)	24W	MK (Multiple Kelvin Selection)	D (Dimmable)	1R/BN (1 Ring Brush Nickel)



LED FIXTURE

RIGID Series

LED Flush Mount (PC) RGD-FM/----/PC

Traditional and eye-catching design, deliver maximum light levels, ideal for low ceilings



Features & Benefits

CUL listed, Energy Star	TRIAC dimmable down to 10%
Size 13", 19" available	PMMA diffuser, white finish
CRI >80, 120° Beam spread	Damp location approved
120V input voltage	
L70 @ 50,000 Hrs	

Warranty

5-year limited warranty in commercial use from the date of purchase
Operating temperature range between -20°C and +40°C

Product Specification

Ordering Code	Energy Star	Model Number	Description	Wattage (W)	Input Voltage (V)	Hour Rating	Initial Delivered Lumens (lumen)	CCT (K)	CRI	Damp Location	M.O.D. (inch)	Case QTY.
3663114	Y	RGD-FM13/18W/30/D/PC	LED Flush Mount 13" 18W 3000K PC	18	120	50,000	1300	3000	80	Y	13	6
3663115	Y	RGD-FM13/18W/40/D/PC	LED Flush Mount 13" 18W 4000K PC	18	120	50,000	1300	4000	80	Y	13	6
3664108	Y	RGD-FM19/32W/30/D/PC	LED Flush Mount 19" 32W 3000K PC	32	120	50,000	2400	3000	80	Y	19	4
3664109	Y	RGD-FM19/32W/40/D/PC	LED Flush Mount 19" 32W 4000K PC	32	120	50,000	2400	4000	80	Y	19	4

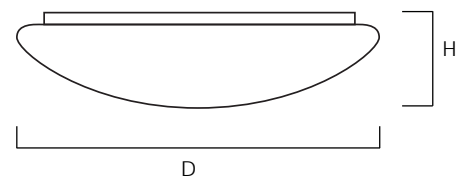
Applications

Bedrooms, living rooms, hallways, kitchens and etc

Ordering Information Example: RGD-FM13/18W/30/D/PC

Family Name	Fixture Type	Size	Wattage	CCT (Kelvin)	Dimmable	Body
RGD (Rigid)	FM (Flush Mount, PC)	13 (13") 19 (19")	18W 32W	40 (4000K) 30 (3000K)	D(Dimmable)	PC (Polycarbonate)

Dimensional drawing



	D	H
RGD-FM13	13"	3.44"
RGD-FM19	19"	3.44"



LED FIXTURE

RIGID Series



LED Vanity

RGD-VN

2 Ring LED Vanity Lighting



Features & Benefits

Energy Star and cUL rated

Alumimium frame, great lighting distribution without any shadow

White PMMA lens

14W 1,450lm, 120V 60 Hz Input, PF>0.9

TRIAC (10-100%)dimmable

High CRI (80+), Beam angle 120°

L70@ 50,000 Hrs

Damp location approved

Warranty

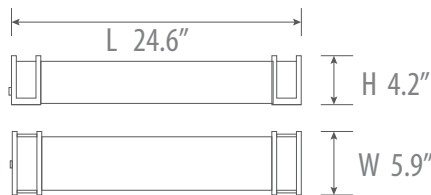
5-year limited warranty in commercial use from the date of purchase

Operating temperature range between -20°C and +45°C

Applications

Ideal replacement for traditional incandescent wall mount fixture. Restaurant, Community, Office, Retail, Hospitality and etc.

Dimensional drawing



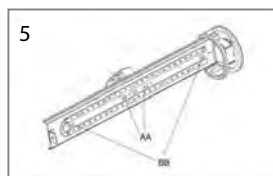
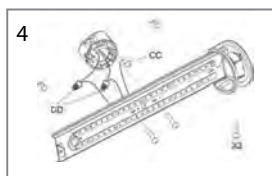
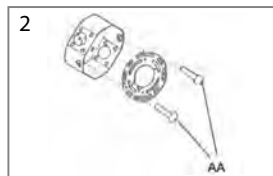
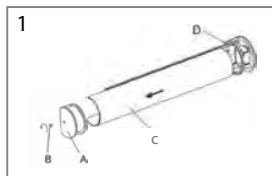
Ordering Information Example: RGD-VN/2F/14W/30/D/2R

Family Name	Fixture Type	Length	Wattage	CCT (Kelvin)	Dimmable	Type
RGD (Rigid)	VN (Vanity)	2F (2 Foot)	14W	30 (3000K) 40 (4000K)	D (Dimmable)	2R (2 Ring)

Product Specification

Energy Star	Model Number	Description	Wattage (W)	Input Voltage (V)	Hour Rating	Initial Delivered Lumens (lumen)	CCT (K)	CRI	Damp Location	M.O.D. L×W×H (inch)
Y	RGD-VN/2F/14W/30/D/2R	LED Vanity 2' 14W 3000K Dimmable 2Ring	14	120	50,000	1,450	3000	80+	Y	24.6 × 5.9 × 4.2
Y	RGD-VN/2F/14W/40/D/2R	LED Vanity 2' 14W 4000K Dimmable 2Ring	14	120	50,000	1,450	4000	80+	Y	24.6 × 5.9 × 4.2

Installation



1. Remove the ring and lens from the housing.
2. Insert long screws(AA) into aligned holes,and tighten the two long screws.
3. Mark the keyhole slots and drill the two holes, then insert long screws into anchors.
4. Connect the fixture wires accordingly.
5. Put the long screws through the keyholes, and thread into the J-box.
6. Secure the lens and top ring up to the housing.



LED FIXTURE

RIGID Series

LED Wall Sconce

RGD-WS

2 Ring LED Wall Sconce



Features & Benefits

Energy Star and cETL rated	TRIAC (10-100%) dimmable
Alumimium frame, great lighting distribution without any shadow	High CRI (80+)
White PMMA lens	L70@ 50,000 Hrs
15W 1,100lm, 120V 60 Hz Input, PF>0.9	Damp location approved, meets ADA requirements

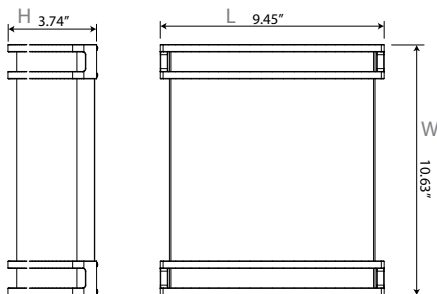
Warranty

5-year limited warranty in commercial use from the date of purchase
 Operating temperature range between -20°C and +40°C

Applications

Ideal replacement for traditional incandescent wall mount fixture.
 Restaurant, Community, Office, Retail, Hospitality and etc.

Dimensional drawing



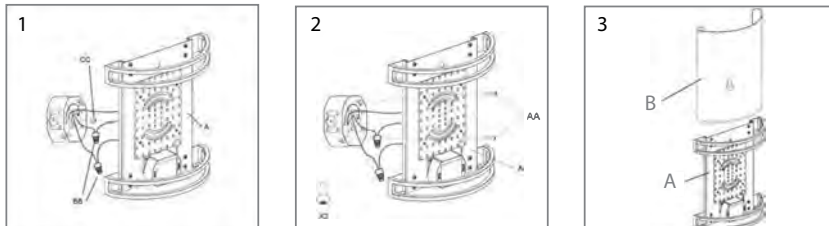
Ordering Information Example: RGD-WS/15W/30/D/2R

Family Name	Fixture Type	Wattage	CCT (Kelvin)	Dimmable	Type
RGD (Rigid)	WS (Wall Sconce)	15W	30 (3000K) 40 (4000K)	D (Dimmable)	2R (2 Ring)

Product Specification

Ordering Code	Energy Star	Model Number	Description	Wattage (W)	Input Voltage (V)	Hour Rating	Initial Delivered Lumens (lumen)	CCT (K)	CRI	Damp Location	M.O.D. L×W×H (inch)
3663125	Y	RGD-WS/15W/30/D/2R	2 Ring LED Wall Sconce 15W 3000K Dimmable	15	120	50,000	1,100	3000	80+	Y	9.45×10.63×3.74
3663126	Y	RGD-WS/15W/40/D/2R	2 Ring LED Wall Sconce 15W 4000K Dimmable	15	120	50,000	1,100	4000	80+	Y	9.45×10.63×3.74

Installation



1. Connect the fixture wires accordingly.
2. Put the long screws through the keyholes, and thread into the J-box.
3. Align the tabs on fixture pan(A) with the channels on lens(B), then insert lens(B) into fixture pan(A).

LED FIXTURE

DL Series



LED Wrap Around

DL-WA1, DL-WA2, DL-WA3, DL-WA5

DL-WA1 (LED 4' Wrap Light)
 DL-WA2 (LED 2' / 4' Hinged Wrap Light)
 DL-WA3 (LED 4' Eco-Wrap Light), Newly added 120-347V Auto-sensing Driver
 DL-WA5 (LED 4' White Wrap Light), 120-347V Auto-sensing Driver

Features & Benefits

CUL listed, DLC (Premium)*

0-10V dimmable*

High CRI (80+)

Wall or ceiling mounted

L70 @*

PMMA Lens

Damp location rated

Shallow profile, excellent for low ceilings

Warranty

5-year limited warranty in commercial use from the date of purchase

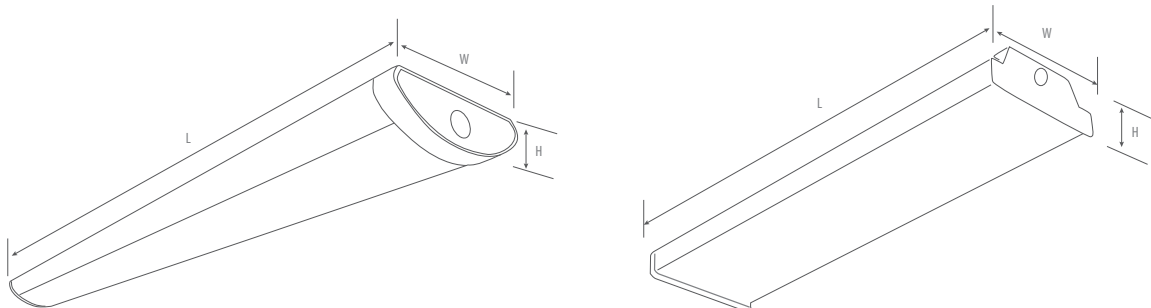
Operating temperature range between -20°C and +40°C

* For applicable models, see product specification below

Applications

Corridors, Carports, storage rooms, retail, commercial, etc.

Dimensional drawing



	L	W	H
DL-WA1/4F	48.5"	5.56"	2"
DL-WA2/2F	24.5"	7.09"	2.8"
DL-WA2/4F	48"	7.09"	2.8"
DL-WA3/4F	48.6"	6.5"	2.5"
DL-WA5/4F	47.2"	5.3"	2.14"



LED Wrap Around

DL-WA1, DL-WA2, DL-WA3, DL-WA5

Ordering Information Example: DL-WA2/2F/25W/40/UNV/D

Family Name	Fixture Type	Size	Wattage	CCT	Input Voltage	Dimmable	Options
DL (Deltalum)	WA1 (Wrap Around 1)	4F (4')	40W	30 (3000K) 40 (4000K) 50 (5000K)	Blank (120-277V)	Blank (non-dimmable)	S (Sensor) EM (Emergency Battery)
	WA2 (Wrap Around 2)	2F (2') 4F (4')	25W 40W	35 (3500K) 40 (4000K)	UNV (120-277V)	D (Dimmable)	
	WA3 (Wrap Around 3)	4F (4')	42W	35 (3500K) 40 (4000K) 50 (5000K)	UNV (120-277V) 120-347V	Blank (non-dimmable) D (Dimmable)	
	WA5 (Wrap Around 5)	4F (4')	48W	40 (4000K)	120-347V	D (Dimmable)	

Product Specification

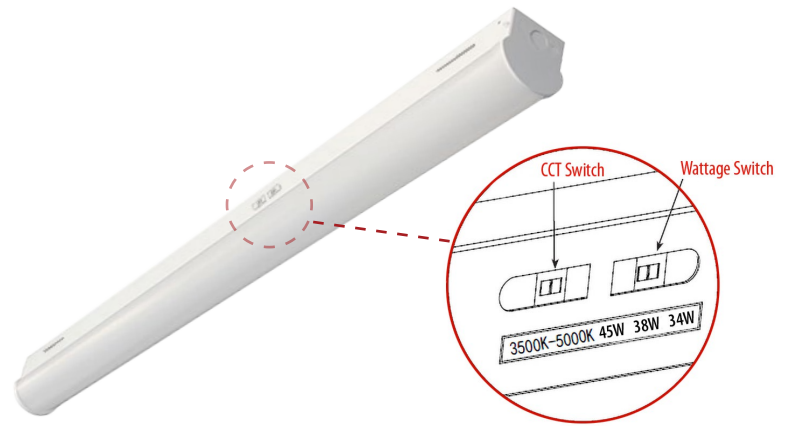
Ordering Code	DLC/DLC Premium	Model Number	Wattage (W)	Input Voltage (V)	Hour Rating	Beam Angle	Initial Delivered Lumens (lumen)	CCT (K)	CRI	Damp Location	M.O.L (inch)	Case QTY.
3665129	NO	DL-WA1/4F/40W/30	40	120-277V	50,000	120°	4200	3000	>80	Yes	48	4
3665124	NO	DL-WA1/4F/40W/40	40	120-277V	50,000	120°	4200	4000	>80	Yes	48	4
3665125	NO	DL-WA1/4F/40W/50	40	120-277V	50,000	120°	4200	5000	>80	Yes	48	4
3664124	DLC-P	DL-WA2/2F/25W/40/UNV/D	25	120-277V	100,000	120°	3275	4000	>80	Yes	24.5	4
3665161	DLC-P	DL-WA2/4F/40W/35/UNV/D	40	120-277V	100,000	120°	5200	3500	>80	Yes	48	4
3665135	DLC-P	DL-WA2/4F/40W/40/UNV/D	40	120-277V	100,000	120°	5240	4000	>80	Yes	48	4
3665162	NO	DL-WA2/4F/40W/35/UNV/D/S	40	120-277V	100,000	120°	5200	3500	>80	Yes	48	4
-	NO	DL-WA2/4F/40W/40/UNV/D/EM	40	120-277V	100,000	120°	5240	4000	>80	Yes	48	4
3665165	NO	DL-WA2/4F/40W/40/UNV/D/S	40	120-277V	100,000	120°	5240	4000	>80	Yes	48	4
3665136	NO	DL-WA3/4F/42W/35/UNV	42	120-277V	100,000	120°	4368	3500	>80	Yes	48	4
3665137	NO	DL-WA3/4F/42W/40/UNV	42	120-277V	100,000	120°	4700	4000	>80	Yes	48	4
3665138	YES	DL-WA3/4F/42W/50/UNV	42	120-277V	100,000	120°	4704	5000	>80	Yes	48	4
3665309	DLC-P	DL-WA3/4F/42W/35/120-347V	42	120-347V	100,000	120°	5460	3500	>80	Yes	48	4
3665310	DLC-P	DL-WA3/4F/42W/40/120-347V	42	120-347V	100,000	120°	5502	4000	>80	Yes	48	4
3665316	TBA	DL-WA5/4F/48W/40/120-347V/D	48	120-347V	100,000	120°	5520	4000	>80	Yes	48	4
3660052		DL-WA2/2F/LENS	DeltaLum Hinged-Wrap Light 2ft. Replacement PMMA Lens									
3660053		DL-WA2/4F/LENS	DeltaLum Hinged-Wrap Light 4ft. Replacement PMMA Lens									
3660054		DL-WA3/4F/LENS	DeltaLum Eco-Wrap Light 4ft. Replacement PMMA Lens									

LED FIXTURE

DL Series

LED Eco-Commercial Strip DL-EC NEW MW-MK

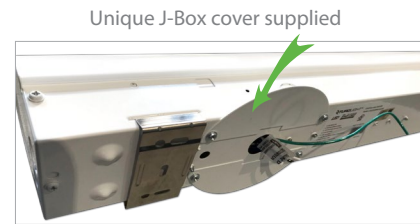
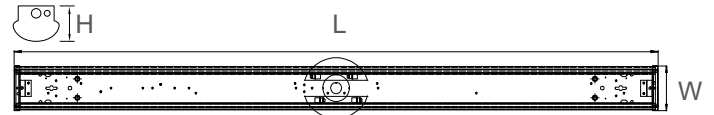
Linear 4' and 8' LED strip light, 120-347V auto-sensing driver
Multiple Wattage - Multiple Kelvin



Features & Benefits

- cUL listed, DLC(Premium)
- Selectable wattage and adjustable CCT
- 4' and 8' length selection
- 120-347V Auto-sensing driver, 0-10V dimming
- Average rated life 100,000 hrs L70 (TM-21 @ 70 °C), CRI ≥ 80
- White metal finish, PMMA Opal Lens
- Surface or Suspended mounting, row mountable w/ joiner plate
- Damp location rated
- Operating temperature range between -20°C and +50°C

Dimensional Drawing



	L	W	H
4FT	47.3"	3.3"	3.6"
8FT	94.2"	3.3"	3.6"

Warranty

5-year limited warranty in commercial use from the date of purchase

Applications

Offices, Hallways, Multipurpose Rooms, Warehouse etc.

Ordering Information Example: DL-EC/4F/56W/MK/120-347V/D

Family Name	Fixture Type	Size	Wattage	CCT	Voltage	Dimmable	Sensor	Option
DL (Deltalum)	EC (Eco-Commercial)	4F (4') 4FS (4' Small Wattage) 4FL (4' Large Wattage) 8FL (8' Large Wattage)	56W MW (Multiple Wattage)	MK (Multiple CCT)	120-347V	D (Dimmable)	S (Sensor)	RM (Row MTG Plate) S (Microwave Sensor) TL-2052 PIR Sensor DL-EC/MS/CONTROLLER

Product Specification

Ordering Code	DLC (Premium)	Model Number	Wattage (W)	Input Voltage (V)	Hour Rating (L70)	Beam Angle	Initial Delivered Lumens (lumen)	CCT (K)	CRI	Damp Location	M.O.L (inch)	Case QTY.
3666309	Y	DL-EC/4F/56W/MK/120-347V/D	56	120-347V	100,000	120°	7448	35-40-50	>80	Yes	48	6
3664306	Y	DL-EC/4FS/MW/MK/120-347V/D	30-25-18	120-347V	100,000	120°	4050-3250-2340	35-40-50	>80	Yes	48	6
3664307	Y	DL-EC/4FL/MW/MK/120-347V/D	45-38-34	120-347V	100,000	120°	6075-4940-4420	35-40-50	>80	Yes	48	6
3664308	Y	DL-EC/8FL/MW/MK/120-347V/D	90-75-65	120-347V	100,000	120°	12150-9750-8450	35-40-50	>80	Yes	96	4
3666310	Y	DL-EC/4F/56W/MK/120-347V/D/S	56	120-347V	100,000	120°	7448	35-40-50	>80	Yes	48	6
3680307	Y	DL-EC/4FS/MW/MK/120-347V/D/S	30-25-18	120-347V	100,000	120°	3900-3250-2340	35-40-50	>80	Yes	48	6
3666311	Y	DL-EC/4FL/MW/MK/120-347V/D/S	45-38-34	120-347V	100,000	120°	6075-4940-4420	35-40-50	>80	Yes	48	6
3666312	Y	DL-EC/8FL/MW/MK/120-347V/D/S	90-75-65	120-347V	100,000	120°	12150-9750-8450	35-40-50	>80	Yes	96	4
3660057		DL-EC/4F/LENS	4ft, replacement white PMMA lens									
3660058		DL-EC/8F/LENS	8ft, replacement white PMMA lens									
3660092		DL-EC/4F/WG	4ft, Wire guard									
3660096		DL-EC/RM	Row mounting plate									
		S	Microwave sensor factory installed (consult for lead time)									
3768101		TL-2052	PIR motion sensor (sold separately)									
3660097		DL-EC/MS/CONTROLLER	Hand held remote control for Micro-Sensor									



LED Eco-Commercial Strip

DL-EC NEW MW-MK

Microwave Motion Sensor



Microwave Motion Sensor factory installed

Detection Area	100%/75%/50%/25% (Remote Control: 100%/75%/50%/25%)
Hold time	8S/30S/1min/5min/10min/15min/30min (Remote Control: 8S/1min/5min/15min/30min)
Stand-by Period	0S/1min/3min/5min/10min/30min/+∞ (Remote Control: 0S/1min/5min/30min/+∞)
Daylight Sensor	5lux/15Lux/30Lux/50Lux/100lux/150lux/Disable (Remote Control: 5lux/15Lux/50Lux/150lux/Disable)
Stand-by Dim Level	10%/20%/30%/40% (Remote Control: 10%/20%/30%/40%/50%)
Detection Distance	12m*8m (Max.)

The sensor can support the infrared remote control



DL-EC/MS/CONTROLLER

Sensor Settings

Detection Area	1	2
100%	ON	ON
75%	ON	-
50%	-	ON
25%	-	-

Hold Time	3	4	5
8S	ON	ON	ON
30S	ON	-	ON
1min	-	ON	ON
5min	ON	-	-
10min	-	ON	-
15min	-	-	ON
30min	-	-	-

Stand-by Period	6	7	8
0S	ON	ON	ON
1min	ON	-	ON
3min	-	ON	ON
5min	ON	-	-
10min	-	ON	-
30min	-	-	ON
+ ∞	-	-	-

Stand-by Dim Level	1	2
10%	ON	ON
20%	ON	-
30%	-	ON
40%	-	-

Daylight Sensor	3	4	5	6
5Lux	ON	ON	ON	ON
15Lux	-	ON	ON	ON
30Lux	ON	-	ON	ON
50lux	-	-	ON	ON
100lux	ON	ON	-	ON
150lux	ON	ON	ON	-
Disable	-	-	-	-

LED FIXTURE

DL Series

LED Eco-Commercial Strip DL-EC

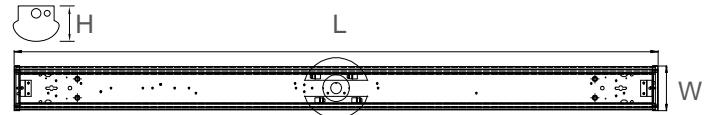
Linear 2', 3', 4' and 8' LED strip light, 120-347V auto-sensing driver



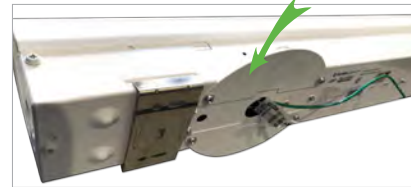
Features & Benefits

- _____ CUL listed, DLC(Premium)
- _____ 2', 3', 4' and 8' length selection
- _____ 120-347V Auto-sensing driver, 0-10V dimming
- _____ Average rated life 100,000 hrs L70 (TM-21 @ 70 °C), CRI ≥ 80
- _____ System light efficacy ≥ 130lm per watt
- _____ White metal finish (black available for special order), PMMA Opal Lens
- _____ Surface or Suspended mounting, row mountable w/ joiner plate
- _____ Damp location rated

Dimensional Drawing



Unique J-Box cover supplied



	L	W	H
2FT	22.2"	3.3"	3.6"
3FT	35.0"	3.3"	3.6"
4FT	47.3"	3.3"	3.6"
8FT	94.2"	3.3"	3.6"

Warranty

- _____ 5-year limited warranty in commercial use from the date of purchase
- _____ Operating temperature range between -20°C and +50°C

Applications

Offices, Hallways, Multipurpose Rooms, Warehouse etc.

Ordering Information Example: DL-EC/4F/35W/40/120-347V/D/S

Family Name	Fixture Type	Size	Wattage	CCT	Voltage	Dimmable	Sensor	Option
DL (Deltalum)	EC (Eco-Commercial)	2F (2')	20W (2')	35 (3500K)	120-347V	D (Dimmable)	S (Sensor)	RM (Row MTG Plate) S (Microwave Sensor) TL-2052 PIR Sensor
		3F (3')	25W (3')	40 (4000K)				
		4F (4')	35W, 45W, 56W (4')	50 (5000K)				
		8F (8')	65W (8')					

Product Specification

Ordering Code	DLC (Premium)	Model Number	Wattage (W)	Input Voltage (V)	Hour Rating(L70)	Beam Angle	Initial Delivered Lumens (lumen)	CCT (K)	CRI	Damp Location	M.O.L (inch)
3663209	Y	DL-EC/2F/20W/35/120-347V/D	20	120-347V	100,000	120°	2600	3500	>80	Yes	22.2"
3663208	Y	DL-EC/2F/20W/40/120-347V/D	20	120-347V	100,000	120°	2620	4000	>80	Yes	22.2"
3664206	Y	DL-EC/3F/25W/40/120-347V/D	25	120-347V	100,000	120°	3325	4000	>80	Yes	35.0"
3665250	Y	DL-EC/4F/35W/35/120-347V/D	35	120-347V	100,000	120°	4585	3500	>80	Yes	47.3"
3665225	Y	DL-EC/4F/35W/40/120-347V/D	35	120-347V	100,000	120°	4620	4000	>80	Yes	47.3"
3665226	Y	DL-EC/4F/35W/50/120-347V/D	35	120-347V	100,000	120°	4655	5000	>80	Yes	47.3"
3665251	Y	DL-EC/4F/45W/35/120-347V/D	45	120-347V	100,000	120°	5940	3500	>80	Yes	47.3"
3665227	Y	DL-EC/4F/45W/40/120-347V/D	45	120-347V	100,000	120°	5985	4000	>80	Yes	47.3"



LED Eco-Commercial Strip

DL-EC

Ordering Code	DLC (Premium)	Model Number	Wattage (W)	Input Voltage (V)	Hour Rating(L70)	Beam Angle	Initial Delivered Lumens (lumen)	CCT (K)	CRI	Damp Location	M.O.L (inch)
3666300	Y	DL-EC/4F/56W/35/120-347V/D	56	120-347V	100,000	120°	7280	3500	>80	Yes	47.3"
3666247	Y	DL-EC/4F/56W/40/120-347V/D	56	120-347V	100,000	120°	7336	4000	>80	Yes	47.3"
3666240	Y	DL-EC/8F/65W/35/120-347V/D	65	120-347V	100,000	120°	8515	3500	>80	Yes	94.2"
3666229	Y	DL-EC/8F/65W/40/120-347V/D	65	120-347V	100,000	120°	8580	4000	>80	Yes	94.2"
3666230	Y	DL-EC/8F/65W/50/120-347V/D	65	120-347V	100,000	120°	8645	5000	>80	Yes	94.2"
3663300	Y	DL-EC/2F/20W/40/120-347V/D/S	20	120-347V	100,000	120°	2620	4000	>80	Yes	22.2"
3665253	Y	DL-EC/4F/35W/35/120-347V/D/S	35	120-347V	100,000	120°	4585	3500	>80	Yes	47.3"
3665242	Y	DL-EC/4F/35W/40/120-347V/D/S	35	120-347V	100,000	120°	4620	4000	>80	Yes	47.3"
3665252	Y	DL-EC/4F/45W/35/120-347V/D/S	45	120-347V	100,000	120°	5940	3500	>80	Yes	47.3"
3665246	Y	DL-EC/4F/45W/40/120-347V/D/S	45	120-347V	100,000	120°	5985	4000	>80	Yes	47.3"
3666304	Y	DL-EC/4F/56W/35/120-347V/D/S	56	120-347V	100,000	120°	7280	3500	>80	Yes	47.3"
3666248	Y	DL-EC/4F/56W/40/120-347V/D/S	56	120-347V	100,000	120°	7336	4000	>80	Yes	47.3"
3666305	Y	DL-EC/8F/65W/40/120-347V/D/S	65	120-347V	100,000	120°	8580	4000	>80	Yes	94.2"
3660055		DL-EC/2F/LENS	2ft, replacement white PMMA lens								
3660056		DL-EC/3F/LENS	3ft, replacement white PMMA lens								
3660057		DL-EC/4F/LENS	4ft, replacement white PMMA lens								
3660058		DL-EC/8F/LENS	8ft, replacement white PMMA lens								
3660092		DL-EC/4F/WG	4ft, Wire guard								
Option		DL-EC/RM	Row mounting plate								
		S	Microwave sensor factory installed (consult for lead time)								
		TL-2052	PIR motion sensor (sold separately)								

LED FIXTURE

DL Series

LED Connect Strip

DL-CS/MS

Linear 4' LED strip light, built-in Microwave Sensor



Features & Benefits

- CUL listed
- Familiar surface strip design in 4' length, low profile
- Integral-LED luminaire (no lamps required), LED Driver PF>0.9
- Strips are linkable either with connector supplied or by optional connecting cables
- 15 pcs maximum @ 40W per fixture
- L70 @ 50,000 HRS
- White metal housing construction, PC Opal Lens
- Microwave sensor for on-off applications
- Damp location rated

Dimensional Drawing



	L	W	H
4F2L	48"	3.54"	2.36"

Warranty

- 5-year limited warranty in commercial use from the date of purchase
- Operating temperature range between -20°C and +40°C

Applications

Utility Rooms, Corridors, Work Shops, Garage, Stock Rooms etc.

Ordering Information Example: DL-CS/4F2L/40W/40/MS

Family Name	Fixture Type	Size	Wattage	CCT	Microwave Sensor	Options
DL (Deltalum)	CS (Connect Strip)	4F2L (4; 2 lamp)	40W	40 (4000K) 50 (5000K)	MS (Microwave Sensor on-off)	Connecting Cable order separately

Product Specification

Ordering Code	Model Number	Wattage (W)	Input Voltage (V)	Hour Rating	Beam Angle	Initial Delivered Lumens (lumen)	CCT (K)	CRI	Damp Location	M.O.L (inch)	Case QTY.
3665130	DL-CS/4F2L/40W/40/MS	40	120-277V	50,000	120°	4,200	4000K	>80	Yes	48	6
3665131	DL-CS/4F2L/40W/50/MS	40	120-277V	50,000	120°	4,400	5000K	>80	Yes	48	6
3660047	DL-CS/1F/CC3/WH	1' CONNECTING CABLE, WHITE									
3660048	DL-CS/2F/CC3/WH	2' CONNECTING CABLE, WHITE									
3660049	DL-CS/4F/CC3/WH	4' CONNECTING CABLE, WHITE									

Connector Images



Caution:

Electrical shock hazard possible when using interconnecting systems (cables or supplied 5 pin connector). As with all electrical devices, power must be off (electrical breaker) before removing and installing 5 pin port cover and connecting next linkable "Connect Strip" or "Connecting Cable". Refer to installation manual when installing.

Microwave Sensor Image

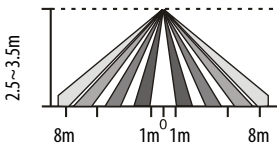




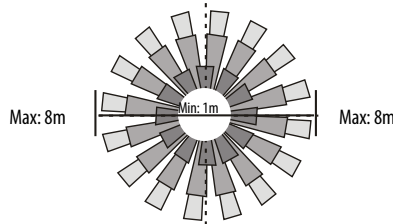
LED Connect Strip

DL-CS/MS

Sensor Information



Height of installation 2.5~3.5m

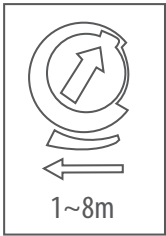


Detection range Min: 1m, Max: 8m
Detection angle 360°

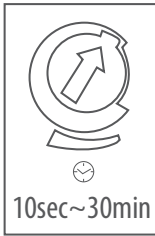
UTILIZING FIELD AND INTRODUCTION

The sensor is a moving object sensor that can detect range of 360° and it's working frequency is 5.8GHz. The advantage of this product is stable working state (stable working temperature: -15°C~+70°C), The sensor adopts a microwave sensor (high-frequency output < 0.2mW), so that it is safe and performs better than infrared sensor.

If you want the sensor to detect small zone, you can just adjust the sense knob SENS to the range that you need (You may need to adjust sometimes until you think it is suitable). If you want that the light can be turned on when the circumstance luminance is under some value, you can just adjust the knob LUX (The working luminance knob) to select the luminance value (You may need to adjust some times until you think it is suitable).



Detection Range



Time



Light Control

Detection range setting (sensitivity)

Detection range is the term used to describe the radii of the more or less circular detection zone produced on the ground after mounting the sensor light at a height of 2.5m, turn the detection control fully anticlockwise to select minimum detection range (approx. 1m radii), and fully clockwise to select maximum detection range (approx. 8m radii).

Note: the above detection range is gained if the detected person is between 1.6m-1.7m tall with middle figure and moves at a speed of 1.0-1.5m/sec. If person's stature, figure and moving speed change, the detection distance will also change.

In different cases, the sensitivity of the lights has certain deviation.

ATTENTION: When use this product, please adjust the sensitivity to an appropriate position you need, please do not adjust the sensitivity to maximum, in case the product works abnormally because of wrong motion detection, including blowing leaves & curtains, small animals, or even power grid & electrical equipment. All the above factors can lead to abnormal work. When the product does not work normally, please try to lower the sensitivity appropriately, and then test it.

Time setting

The light can be set to stay ON for any period of time between approx. 10sec (dial turned fully anti-clockwise) and a maximum of 30min (dial turned fully clockwise). Any movement detected during the "on" time will reset the timer. The LED indicator will flash when adjusting the time setting dial. The number of flashes means the following:

1 flash = 10sec, 2 flashes = 1 min, 3 flashes = 2 min, 4 flashes = 5 min, 5 flashes = 8 min, 6 flashes = 10 min, 7 flashes = 15 min, 8 flashes = 20 min, 9 flashes = 25 min, 10 flashes = 30 min.

Note: after the light switches OFF, it takes approx. 4sec before it is able to start detecting movement again. The light will only switch on in response to movement once this period has elapsed.

Light-control setting

The chosen light response threshold can be infinitely from approx. 10-2000lux. Turn it fully anti-clockwise to select dusk to-dawn operation at about 10lux. Turn it fully clockwise to select daylight operation at about 2000lux. The knob must be turned fully clockwise when adjusting the detection zone and performing the walk test in daylight.

Note: please don't adjust the three functional buttons to excess. That is because the three functional buttons were connected to the components directly, there is a small stopper in each of the three components, when you adjust the buttons from start to end, the excessive turn will damage the stopper, and lead to the 360° non-stop turn around. The adjust range limit is 270°, please do pay attention to this.



LED FIXTURE

DL Series

LED Connect Strip

DL-CS

Linear 2' or 4' LED strip light



Features & Benefits

- CUL listed, DLC
- Familiar surface strip design in 2' and 4' length, low profile
- Multiple lumen options to suite most applications
- Integral-LED luminaire (no lamps required), LED Driver PF>0.9
- Strips are linkable either with connector supplied or by optional connecting cables
- 15 pcs @ 40W, 25 pcs @ 20W or 30 pcs @ 10W

- L70 @ 50,000 HRS
- White metal housing construction, PC Opal Lens
- 120-347V auto-sensing driver, 0-10V dimmable
- Damp location rated

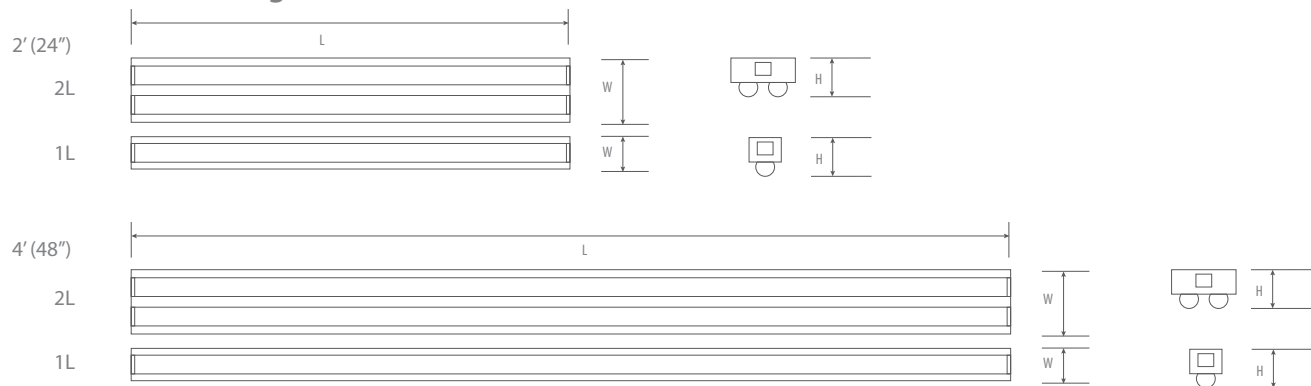
Warranty

- 5-year limited warranty in commercial use from the date of purchase
- Operating temperature range between -20°C and +40°C

Applications

Cove Lighting, Utility Rooms, Corridors, Work Shops, Garage, Stock Rooms etc.

Dimensional drawing



	L	W	H
2F1L	24"	1.77"	2.36"
2F2L	24"	3.54"	2.36"
4F1L	48"	1.77"	2.36"
4F2L	48"	3.54"	2.36"



LED Connect Strip

DL-CS

Ordering Information Example: DL-CS/2F1L/10W/40/D

Family Name	Fixture Type	Size	Wattage	CCT	Input Voltage	Dimmable	Options
DL (Deltalum)	CS (Connect Strip)	2F1L (2'; 1 lamp)	10W	30 (3000K) 40 (4000K) 50 (5000K)	120-347V	D (0-10V dimmable)	Connecting Cable order separately
		4F1L (4'; 1 lamp)	20W				
		2F2L (2'; 2 lamp)	40W				
		4F2L (4'; 2 lamp)	40W				

Product Specification

Ordering Code	DLC	Model Number	Wattage (W)	Input Voltage (V)	Lamp QTY.	Hour Rating	Beam Angle	Initial Delivered Lumens (lumen)	CCT (K)	CRI	Damp Location	M.O.L (inch)	Case QTY.
3662218	No	DL-CS/2F1L/10W/30/120-347V/D	10	120-347V	1	50,000	120°	1,100	3000K	>80	Yes	24	6
3662219	Yes	DL-CS/2F1L/10W/40/120-347V/D	10	120-347V	1	50,000	120°	1,127	4000K	>80	Yes	24	6
3662220	Yes	DL-CS/2F1L/10W/50/120-347V/D	10	120-347V	1	50,000	120°	1,173	5000K	>80	Yes	24	6
3663202	No	DL-CS/4F1L/20W/30/120-347V/D	20	120-347V	1	50,000	120°	2,200	3000K	>80	Yes	48	6
3663203	Yes	DL-CS/4F1L/20W/40/120-347V/D	20	120-347V	1	50,000	120°	2,289	4000K	>80	Yes	48	6
3663204	Yes	DL-CS/4F1L/20W/50/120-347V/D	20	120-347V	1	50,000	120°	2,381	5000K	>80	Yes	48	6
3663205	No	DL-CS/2F2L/20W/30/120-347V/D	20	120-347V	2	50,000	120°	2,200	3000K	>80	Yes	24	6
3663206	Yes	DL-CS/2F2L/20W/40/120-347V/D	20	120-347V	2	50,000	120°	2,279	4000K	>80	Yes	24	6
3663207	Yes	DL-CS/2F2L/20W/50/120-347V/D	20	120-347V	2	50,000	120°	2,335	5000K	>80	Yes	24	6
3665222	Yes	DL-CS/4F2L/40W/30/120-347V/D	40	120-347V	2	50,000	120°	4,271	3000K	>80	Yes	48	6
3665223	Yes	DL-CS/4F2L/40W/40/120-347V/D	40	120-347V	2	50,000	120°	4,517	4000K	>80	Yes	48	6
3665224	Yes	DL-CS/4F2L/40W/50/120-347V/D	40	120-347V	2	50,000	120°	4,763	5000K	>80	Yes	48	6
3660011		DL-CS/1F/CC/WH	1' CONNECTING 5 WIRE CABLE, WHITE										
3660012		DL-CS/2F/CC/WH	2' CONNECTING 5 WIRE CABLE, WHITE										
3660013		DL-CS/4F/CC/WH	4' CONNECTING 5 WIRE CABLE, WHITE										

Connector Images



Caution:

Electrical shock hazard possible when using interconnecting systems (cables or supplied 5 pin connector). As with all electrical devices, power must be off (electrical breaker) before removing and installing 5 pin port cover and connecting next linkable "Connect Strip" or "Connecting Cable". Refer to installation manual when installing.

LED FIXTURE

DL Series



LED Vapor Tight DL-VT4X (NEMA 4X)

Linear, IP66 NEMA 4X rated Luminaire



Features & Benefits

CUL listed, DLC Premium	IP 66 rated NEMA 4X, NSF certified
High impact composite grey housing, IK08	120-347V Auto-Sensing Driver
High impact diffuser 5VA IK08, frosted lens	130 lm/W
Stainless steel clips included	0-10V Dimming
Stainless steel mounting brackets included	Optional microwave motion sensor, emergency battery
c/w PG13.5 threaded cable gland	L70 @ 50,000 HRS

Warranty

5-year limited warranty in commercial use from the date of purchase

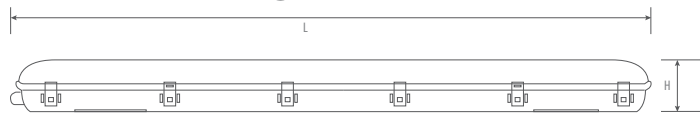
Operating temperature range between -40°C and +55°C

Applications

Indoor or outdoor, suitable for waterproof, dustproof and moistureproof needs*.

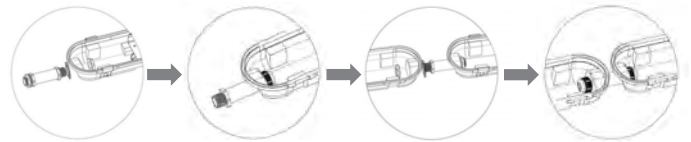
*Special environment use, please contact your sales representative

Dimensional drawing



L	W	H
48.1"	4.0"	3.3"

Connector Installation



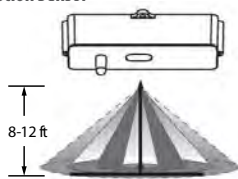
Wiring Connector: DL-VT4X/TWC

Product Specification

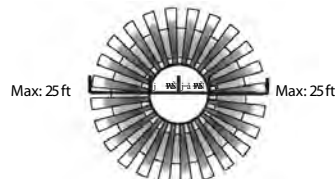
Ordering Code	DLC Premium	Model Number	Description	Watts (W)	Voltage (V)	Hour Rating	Beam Angle	Lumens (lm)	CCT (K)	CRI	Options	Case QTY.
3665300	Yes	DL-VT4X/4F/40W/40/120-347V/D	Vapor Tight 4ft 40W 4000K 120-347V Auto-Sensing Driver 0-10V Dim	40W	120-347V	50,000	120°	5,300	4000	>80	Sensor, Emergency Battery	4
3665301	Yes	DL-VT4X/4F/40W/50/120-347V/D	Vapor Tight 4ft 40W 5000K 120-347V Auto-Sensing Driver 0-10V Dim	40W	120-347V	50,000	120°	5,300	5000	>80	Sensor, Emergency Battery	4
3664301	Yes	DL-VT4X/2F/24W/40/120-347V/D	Vapor Tight 2ft 24W 4000K 120-347V Auto-Sensing Driver 0-10V Dim	24W	120-347V	50,000	120°	3,100	4000	>80	Sensor, Emergency Battery	4
3664302	Yes	DL-VT4X/2F/24W/50/120-347V/D	Vapor Tight 2ft 24W 5000K 120-347V Auto-Sensing Driver 0-10V Dim	24W	120-347V	50,000	120°	3,100	5000	>80	Sensor, Emergency Battery	4
3660110	-	DL-VT4X/Remote	Hand Held Remote									
	-	DL-VT4X/TWC	Tandem Wiring Connector									
	-	S	Microwave Motion Sensor									

Options Information

Motion Sensor



Height of Installation: 8-12 ft



Detection Range Height of installation: 8ft

Vapor Tight Remote DL-VT4X/Remote



Maximum Operating Range: 33 feet

The following settings can be customized:

- Sensitivity for motion detection
- Hold Time
- Standby level 0/ 10/20/30 percent
- Standby time 24H/ 1M/ 30M/ 60M
- Level where the daylight sensor turn off the fixture

Default Settings:

Sensitivity 100%, Standby time 5min, Dimming level 30%
Dimming time 60min

LED FIXTURE

DL Series

LED Vapor Tight DL-VT

Linear 4' or 8' IP65 rated luminaire, suitable for wet locations.



Features & Benefits

CUL listed, DLC Premium

High impact polycarbonate grey housing, IK08

High impact diffuser polycarbonate IK08, Opal lens

Stainless steel mounting brackets included

c/w PG13.5 threaded cable gland

0-10V Dimming / Philips / Meanwell LED Driver

LED module with LG / Everlight chip

130 lm/W

Stainless steel fastening clips

IP 65 rated

Optional microwave motion sensor

L70 @ 50,000 HRS

Warranty

5-year limited warranty in commercial use from the date of purchase

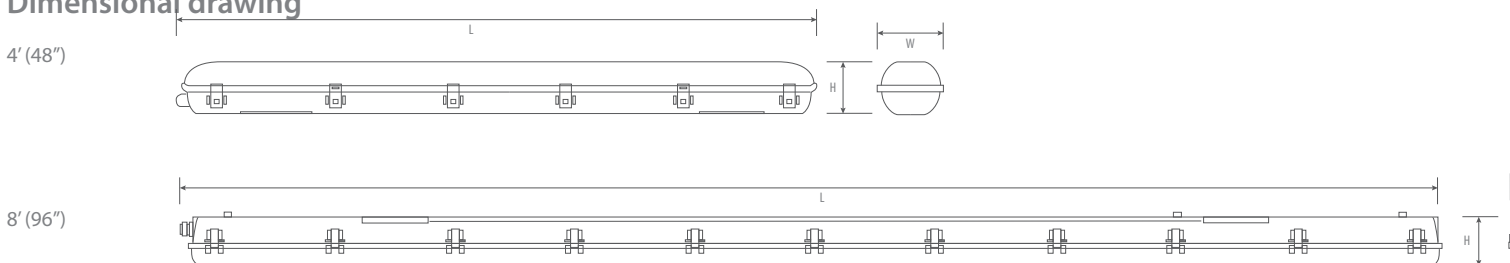
Operating temperature range between -20°C and +40°C

*Special environment use, please contact your sales representative

Applications

Indoor or outdoor, suitable for waterproof, dustproof and moistureproof needs**
Parking garage, Truck shop, Stairwell, Breeze way, Corridor, Car wash etc.

Dimensional drawing



	L	W	H
4' (48")	48.0"	4.9"	4.1"
8' (96")	99.0"	6.3"	4.3"



LED Vapor Tight DL-VT

Ordering Information Example: DL-VT/4F/40W/40/UNV/D

Family Name	Fixture Type	Size	Wattage	CCT	Voltage (V)	Dimmable	Options
DL (Deltalum)	VT (Vapor Tight)	4F(4 feet)	40W 60W	35 (3500K) 40 (4000K) 50 (5000K)	120-347V	D (Dimmable)	S (Microwave Motion Sensor)
		8F(8 feet)**	80W 100W 120W		UNV (120-277V) HVU (347-480V)		

** NSF rated

Product Specification

Ordering Code	DLC Premium	Model Number	Wattage (W)	Input Voltage (V)	Hour Rating	Beam Angle	Initial Delivered Lumens (lumen)	CCT (K)	CRI	M.O.L (inch)	Case QTY.
3665302	No	DL-VT/4F/40W/35/120-347V/D	40W	120-347V	50,000	120	5,300	3500K	>80	48	4
3665244	Yes	DL-VT/4F/40W/40/120-347V/D	40W	120-347V	50,000	120	5,432	4000K	>80	48	4
3665245	Yes	DL-VT/4F/40W/50/120-347V/D	40W	120-347V	50,000	120	5,670	5000K	>80	48	4
3666306	No	DL-VT/4F/60W/35/120-347V/D	60W	120-347V	50,000	120	7,300	3500K	>80	48	4
3666238	Yes	DL-VT/4F/60W/40/120-347V/D	60W	120-347V	50,000	120	7,429	4000K	>80	48	4
3666239	Yes	DL-VT/4F/60W/50/120-347V/D	60W	120-347V	50,000	120	7,511	5000K	>80	48	4
3665305	No	DL-VT/4F/40W/35/120-347V/D/S	40W	120-347V	50,000	120	5,300	3500K	>80	48	4
3665303	No	DL-VT/4F/40W/40/120-347V/D/S	40W	120-347V	50,000	120	5,432	4000K	>80	48	4
3665304	No	DL-VT/4F/40W/50/120-347V/D/S	40W	120-347V	50,000	120	5,670	5000K	>80	48	4
3666303	No	DL-VT/4F/60W/35/120-347V/D/S	60W	120-347V	50,000	120	7,300	3500K	>80	48	4
3666301	No	DL-VT/4F/60W/40/120-347V/D/S	60W	120-347V	50,000	120	7,429	4000K	>80	48	4
3666302	No	DL-VT/4F/60W/50/120-347V/D/S	60W	120-347V	50,000	120	7,511	5000K	>80	48	4
3666118	Yes	DL-VT/8F/80W/40/UNV/D	80W	120-277V	50,000	120	10,621	4000K	>80	96	1
3666119	Yes	DL-VT/8F/80W/50/UNV/D	80W	120-277V	50,000	120	10,743	5000K	>80	96	1
3666218	Yes	DL-VT/8F/80W/40/HVU/D	80W	347V-480V	50,000	120	10,697	4000K	>80	96	1
3666219	Yes	DL-VT/8F/80W/50/HVU/D	80W	347V-480V	50,000	120	10,802	5000K	>80	96	1
3666120	No	DL-VT/8F/100W/40/UNV/D	100W	120-277V	50,000	120	12,500	4000K	>80	96	1
3666221	No	DL-VT/8F/100W/50/UNV/D	100W	120-277V	50,000	120	12,500	5000K	>80	96	1
3667109	Yes	DL-VT/8F/120W/40/UNV/D	120W	120-277V	50,000	120	15,765	4000K	>80	96	1
3667110	Yes	DL-VT/8F/120W/50/UNV/D	120W	120-277V	50,000	120	15,930	5000K	>80	96	1
3667210	Yes	DL-VT/8F/120W/40/HVU/D	120W	347V-480V	50,000	120	16,662	4000K	>80	96	1
3667211	Yes	DL-VT/8F/120W/50/HVU/D	120W	347V-480V	50,000	120	16,807	5000K	>80	96	1
3666147	No	DL-VT/8F/80W/40/UNV/D/S	80W	120-277V	50,000	120	10,621	4000K	>80	96	1
		"S"	Microwave Motion Sensor								



LED FIXTURE

SSL Series



LED Circular HighBay SSL-CHB

120-347V Auto-Sensing Driver
1-10V dimming
Multiple Wattage and Multiple Kelvin (CCT) Selection



Features & Benefits

cULus listed, DLC Premium

System light efficacy 140+ LPW

2 Fixture selection offers 18 solutions per fixture

Switchable CCT (30K/40K/50K), Switchable Wattage

White finish, with 10' power cord

1-10V DC dimming option

IP65 rated, wet location

Default Hook Mounting, Yoke Mount optional ordered separately

CRI≥80, L70@ 50,000 Hrs

Voltage 120-347V Auto-Sensing

90° Beam spread, PC Lens

Installed sensor socket allows for ease of sensor installation, sensor sold separately

Warranty

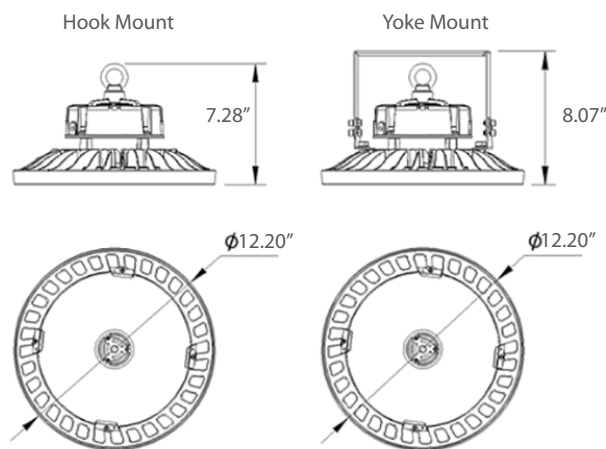
5-year limited warranty in commercial use from the date of purchase

Operating temperature range between -40°C and +55°C

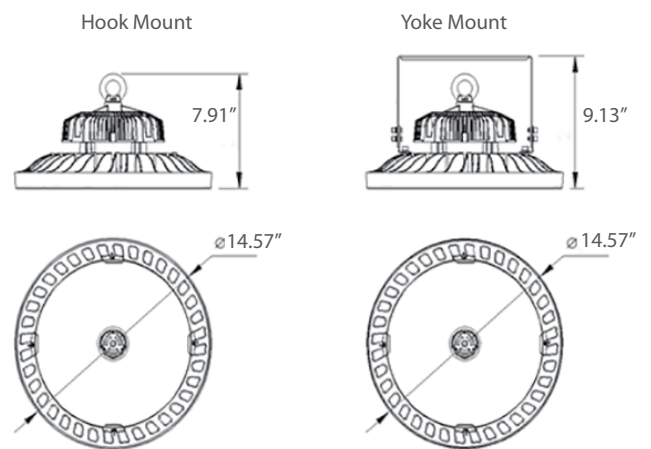
Applications

Warehouse/Manufacturing Facilities, Convention Centers/Sporting Arenas
Big-Box Retail Stores, Cold Storage Facilities, Gymnasiums

Dimensional drawing



SSL-CHB/150M



SSL-CHB/240L



LED Circular HighBay SSL-CHB

Ordering Information Example: SSL-CHB/150M/MW/MK/120-347V/HK/D

Family Name	Fixture Type	Size	Wattage	CCT (Kelvin)	Voltage	Installation	Dimmable	Options
SSL (Solid State Lighting)	CHB (Circular Highbay)	150M (Max 150w Medium Size) 240L (Max 240w Large Size)	MW (Multi Wattage)	MK (Multi CCT)	120-347V	HK (Hook)	D (Dimmable)	SSL-CHB/LV/12V/SENSOR SSL-CHB/LV/12/CONTROLLER SSL-CHB/150M/PC/HOOD SSL-CHB/240L/PC/HOOD SSL-CHB/150M/PC/LENS SSL-CHB/240L/PC/LENS SSL-CHB/150M/WG SSL-CHB/240L/WG SSL-CHB/YOKE SSL-CHB/PEN/ADT

Product Specification

Ordering Code	DLC (Premium)	Model Number	Wattage (W)	Input Voltage (V)	Hour Rating	Initial Delivered Lumens (lumen)	CCT (K)	CRI	Optics/Distribution	Dimension DIA×H(inch)*	Case QTY.
3680300	Y	SSL-CHB/150M/MW/MK/120-347V/HK/D	150-120-90	120-347V	50,000	21841-17280-12950	30-40-50	≥80	Type V	12.20×7.28	1
3680301	Y	SSL-CHB/240L/MW/MK/120-347V/HK/D	240-210-180	120-347V	50,000	34994-30345-26037	30-40-50	≥80	Type V	14.57×7.91	1
3660159		SSL-CHB/LV/12V/SENSOR	SSL CHB HighBay LED 12V DC Microwave Sensor								
3660160		SSL-CHB/LV/12/CONTROLLER	SSL CHB HighBay 12V DC Microwave Sensor Remote Control (required for programming)								
3660161		SSL-CHB/150M/PC/HOOD	SSL CHB Polycarbonate Hood for 150M, 16.25" D x 6.3" H								
3660162		SSL-CHB/240L/PC/HOOD	SSL CHB HighBay Polycarbonate Hood for 240L, 18.9" D x 6.9" H								
3660163		SSL-CHB/150M/PC/LENS	SSL CHB HighBay Polycarbonate Lens for 150M, 16" D x 1.6" H								
3660164		SSL-CHB/240L/PC/LENS	SSL CHB HighBay Polycarbonate Lens for 240L, 18.7" D x 1.6" H								
3660165		SSL-CHB/150M/WG	SSL CHB HighBay Wire Guard for 150M								
3660166		SSL-CHB/240L/WG	SSL CHB HighBay Wire Guard for 240L								
3660167		SSL-CHB/YOKE	SSL CHB HighBay Optional Yoke Mount								
3660168		SSL-CHB/PEN/ADT	SSL CHB HighBay Optional 3/4" Pendant Adapter to be installed on Yoke Mount Bracket.								

*Height with Hook Mount



SSL-CHB/SENSOR



SSL-CHB/CONTROLLER



SSL-CHB/PC/HOOD



SSL-CHB/PC/LENS



SSL-CHB/WG



SSL-CHB/YOKE



SSL-CHB/PEN/ADT



Twist locked DC sensor
(sold separately)





LED FIXTURE

SSL Series



LED High Bay-Xclusive High Ceiling SSL-XHC

Compact design combined with a low profile makes this the performer you need for your next high ceiling application.



Features & Benefits

cUL listed, DLC Premium

System light efficacy 130 LPW

Strong Cast Aluminium body

Tilted heat sink back design for easy wash-off

Superior thermal conductivity

White finish

10 ft power cord

NEMA 4X certified

CRI≥80, L70@ 50,000 Hrs

Voltage 120-277V and 347V

90° Beam spread, PC Lens

1-10V dimming

IP65 rated, wet location

Warranty

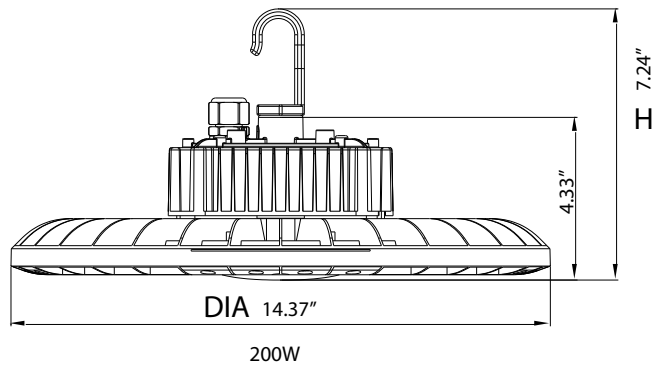
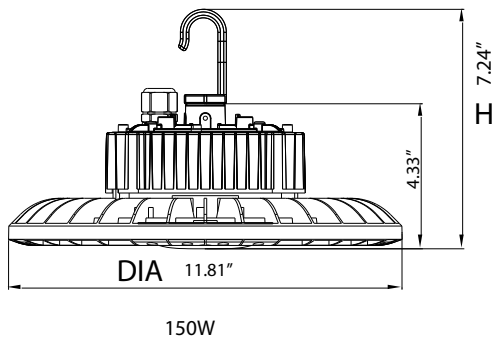
5-year limited warranty in commercial use from the date of purchase

Operating temperature range between -20°C and +50°C

Applications

Warehouse/Manufacturing Facilities, Convention Centers/Sporting Arenas
Big-Box Retail Stores, Cold Storage Facilities, Gymnasiums

Dimensional drawing





LED High Bay-Xclusive High Ceiling

SSL-XHC

Ordering Information Example: SSL-XHC/150W/40/UNV/HK/D

Family Name	Fixture Type	Wattage	CCT	Voltage (V)	Mounting	Dimmable	Options
SSL (Solid State Lighting)	XHC (Xclusive High Ceiling)	150W 200W	40 (4000K) 50 (5000K)	UNV (120-277V) 347V	HK (Hook Mounting)	D (1-10V dimming)	SSL-XHC/16/AL/HOOD/90D SSL-XHC/16/PC/HOOD/90D SSL-XHC/COLLAR

Product Specification

Ordering Code	DLC (Premium)	Model Number	Wattage (W)	Input Voltage (V)	Hour Rating	Initial Delivered Lumens (lumen)	CCT (K)	CRI	Optics/ Distribution	Dimension DIA×H(inch)	Case QTY.
3667132	Y	SSL-XHC/150W/40/UNV/HK/D	150	120-277	50,000	20300	4000	≥80	Type V	11.81×7.24	1
3667133	Y	SSL-XHC/150W/50/UNV/HK/D	150	120-277	50,000	20300	5000	≥80	Type V	11.81×7.24	1
3667234	Y	SSL-XHC/150W/40/347V/HK/D	150	347	50,000	20300	4000	≥80	Type V	11.81×7.24	1
3667235	Y	SSL-XHC/150W/50/347V/HK/D	150	347	50,000	20300	5000	≥80	Type V	11.81×7.24	1
3667134	Y	SSL-XHC/200W/40/UNV/HK/D	200	120-277	50,000	27000	4000	≥80	Type V	14.37×7.24	1
3667135	Y	SSL-XHC/200W/50/UNV/HK/D	200	120-277	50,000	27000	5000	≥80	Type V	14.37×7.24	1
3667236	Y	SSL-XHC/200W/40/347V/HK/D	200	347	50,000	27000	4000	≥80	Type V	14.37×7.24	1
3667237	Y	SSL-XHC/200W/50/347V/HK/D	200	347	50,000	27000	5000	≥80	Type V	14.37×7.24	1
3660139		SSL-XHC/16/AL/HOOD/90D	90 Degree 16" Aluminium Hood								
3660140		SSL-XHC/16/PC/HOOD/90D	90 Degree 16" Polycarbonate Hood								
3660141		SSL-XHC/COLLAR	Adapter Ring, Required for 100W & 150W HighBay Hood Install								

Consult factory for additional options, Sensor, EM pack, Blue Tooth.



90 Degree 16" Aluminium Hood
SSL-XHC/16/AL/HOOD/90D



90 Degree 16" Polycarbonate Hood
SSL-XHC/16/PC/HOOD/90D



LED FIXTURE

SSL Series



LED Linear High Bay SSL-LHB3

Offering quality lighting and excellent energy savings compared to linear fluorescent and HID high bay fixtures.



Features & Benefits

cUL listed, DLC Premium	CRI >80
Available with lumen outputs from 11,475 to 34,425 lumens	Formed steel housing with white powder coat finish/ Frosted lens
System light efficacy \geq 130 lm/W	120° Beam spread
120-347V Auto-sensing driver	10' White Cord, 10' Aircraft Cable (set)
0-10V dimming, product can dim down to 10%	Equipped with 12V receptacle, for Microwave Motion Sensor option
Damp location rated, L70@ 100,000Hrs	

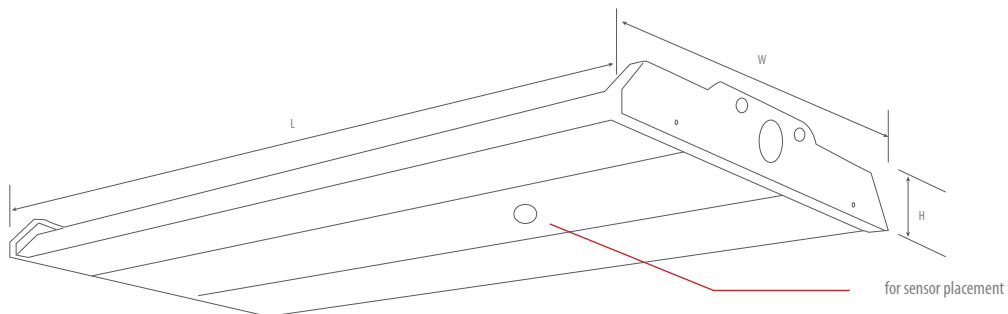
Warranty

5-year limited warranty in commercial use from the date of purchase
 Operating temperature range between -20°C and +50°C

Applications

Warehouse, Factory, Convention Center, Gymnasium etc.

Dimensional drawing



	L	W	H
85W,130W,170W	24.8"	15"	2"
255W	46.5"	18.90"	2"



LED Linear High Bay

SSL-LHB3

Ordering Information Example: SSL-LHB3/85W/40/120-347V/AC/D

Family Name	Fixture Type	Wattage	CCT	Voltage (V)	Mounting	Dimmable	Option
SSL (Solid State Lighting)	LHB3 (Linear High Bay)	85W 130W 170W 255W	40 (4000K) 50 (5000K)	120-347V	AC (Aircraft Cable 10' set)	D (Dimmable)	12V Microwave Sensor (Field Install)

Product Specification

Ordering Code	DLC (Premium)	Model Number	Wattage (W)	Input Voltage (V)	Hour Rating	Initial Delivered Lumens (lumen)	CCT (K)	CRI	Dimension L×W×H(inch)	Case QTY.	
3666307	Y	SSL-LHB3/85W/40/120-347V/AC/D	85	120-347V	100,000	11475	4000	>80	24.8" x 15" x 2"	1	
3666308	Y	SSL-LHB3/85W/50/120-347V/AC/D	85	120-347V	100,000	11560	5000	>80	24.8" x 15" x 2"	1	
3667300	Y	SSL-LHB3/130W/40/120-347V/AC/D	130	120-347V	100,000	17550	4000	>80	24.8" x 15" x 2"	1	
3667301	Y	SSL-LHB3/130W/50/120-347V/AC/D	130	120-347V	100,000	17680	5000	>80	24.8" x 15" x 2"	1	
3667302	Y	SSL-LHB3/170W/40/120-347V/AC/D	170	120-347V	100,000	22950	4000	>80	24.8" x 15" x 2"	1	
3667303	Y	SSL-LHB3/170W/50/120-347V/AC/D	170	120-347V	100,000	23120	5000	>80	24.8" x 15" x 2"	1	
3668301	Y	SSL-LHB3/255W/40/120-347V/AC/D	255	120-347V	100,000	34425	4000	>80	46.5" x 18.9" x 2"	1	
3668302	Y	SSL-LHB3/255W/50/120-347V/AC/D	255	120-347V	100,000	34680	5000	>80	46.5" x 18.9" x 2"	1	
3660090		SSL-LHB2/MWG	Medium wire guard (for 90W, 135W, 175W LHB2 & 85W, 130W, 170W LHB3)							25" x 15"	1
3660142		SSL-LHB3/SWG	Large wire guard for 255W							47" x 15.5"	1
3660145		SSL-LHB3/LV/12V/SENSOR	12V DC Microwave Motion Sensor								
3660146		SSL-LHB3/LV/12V/CONTROLLER	12V DC Microwave Motion Sensor Remote Control(required for programing)								
		SSL-LHB3/PDT/KIT	SSL Linear Highbay3 Pendant Mounting Hanger kit (1pcs)								
		SSL-LHB3/SRF/KIT	SSL Linear Highbay3 Surface Mounting Kit. (2pcs)								

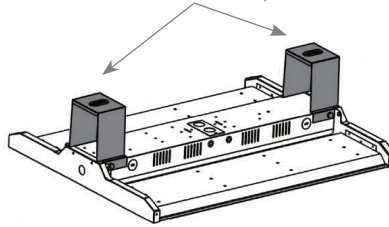
SSL-LHB3/LV/12V/CONTROLLER



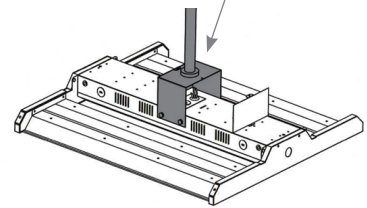
SSL-LHB3/LV/12V/SENSOR



SSL-LHB3/SRF/KIT(2pcs)

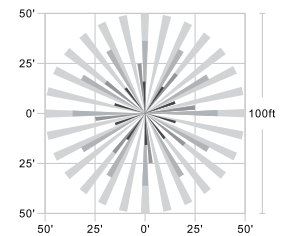
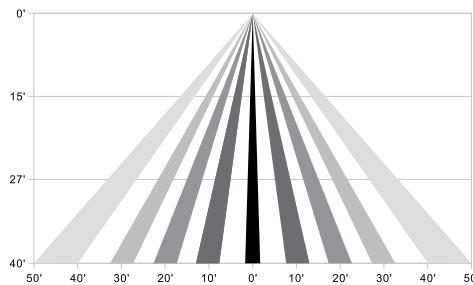


SSL-LHB3/PDT/KIT (1pcs)



Sensor Specifications	
Input voltage	12V DC
Power Consumption	0.1W
Dimming	0-10V
Mounting height	40ft Max.
Detection range	100ft Max.
Op. temperature	-30°F~131°F (-30°C~55°C)
IP rate	IP65
Mode setting	A, B, C, D, E
Dimming level setting	10%, 20%, 30%, 50%, 60%, 70%, 80%, 100%
Delay time setting	10s, 1min, 5min, 10min, 30min
Certification	UL
Warranty	Five year warranty

Sensor Coverage





LED FIXTURE

SSL Series



LED Area Light SSL-AL2

Outstanding photometric performance, excellent uniform illumination, low profile construction, high efficacy and long lifespan, it's ideal for commercial lighting application.



100W & 150W

200W



240W & 300W



Features & Benefits

cULus listed, DLC Premium

120-347 Auto Sensing driver, 1-10V dimming

Lighting Efficiency 140lm/W

Optional installation of Slipfitter, Yoke, Trunnion and Pole Mount Mounting ordered separately

IES Type V, Type IV and Type III for optimized light distribution (Type III is default, Type V lens and Type IV lens ordered separately)

Cast aluminium design, Dark Bronze

5000K and 4000K available

CRI>80, L70 @ 50,000 Hrs

IP65 rated, wet location

Area light is complete with installed photocell receptacle and "Shorting Cap" for ease of photocell application if desired. Photocell is an option and sold separately.

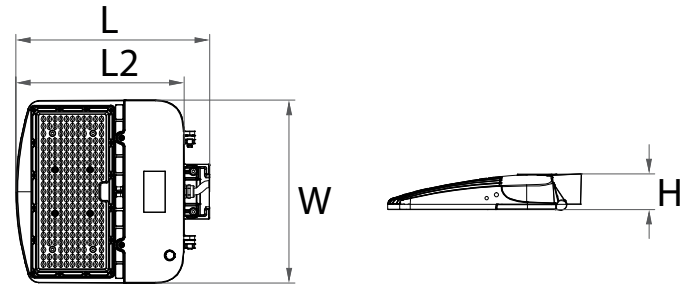
Warranty

5-year limited warranty in commercial use from the date of purchase

Operating temperature range between -40°C and +45°C

Applications

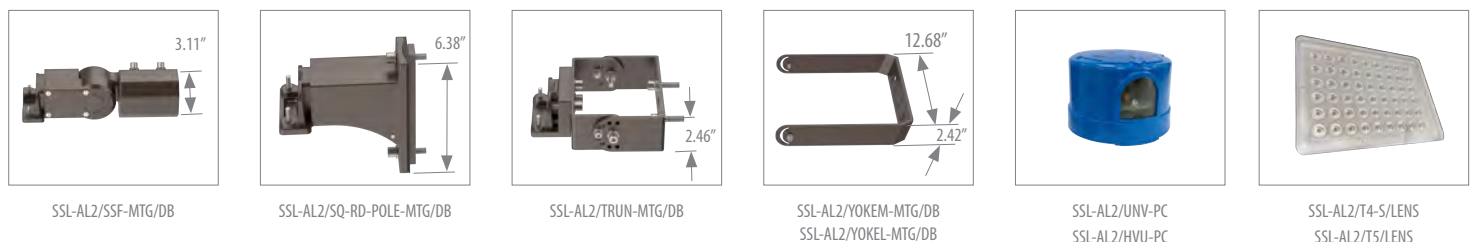
Parks, Shopping Malls, Outlets, Parking Lots, Historical Sites, Road Lighting



Ordering Information Example: SSL-AL2/T3/100W/40/120-347V/DB/D/SCR

Family Name	Fixture Type	Light Distribution Type	Wattage	CCT	Voltage (V)	Body Finish	Dimmable	Others	Options
SSL (Solid State Lighting)	AL2 (Area Lighter-AL2)	T3 (Type III)*	100W 150W 200W 240W 300W	40 (4000K) 50 (5000K)	120-347V	DB (Dark Bronze)	D (Dimmable)	SCR (shorting cap receptacle)	SSL-AL2/SSF-MTG/DB SSL-AL2/SQ-RD-POLE-MTG/DB SSL-AL2/TRUN-MTG/DB SSL-AL2/YOKEM-MTG/DB SSL-AL2/YOKEL-MTG/DB SSL-AL2/UNV-PC SSL-AL2/HVU-PC SSL-AL2/T4-S/LENSL SSL-AL2/T4-S/LENSM SSL-AL2/T5/LENSL SSL-AL2/T5/LENSM SSL-AL/WP/WC SSL-AL/WALL-MTG/DB

* Type III is default, you can order the optional lens separately for Type V (T5) and Type IV (T4).





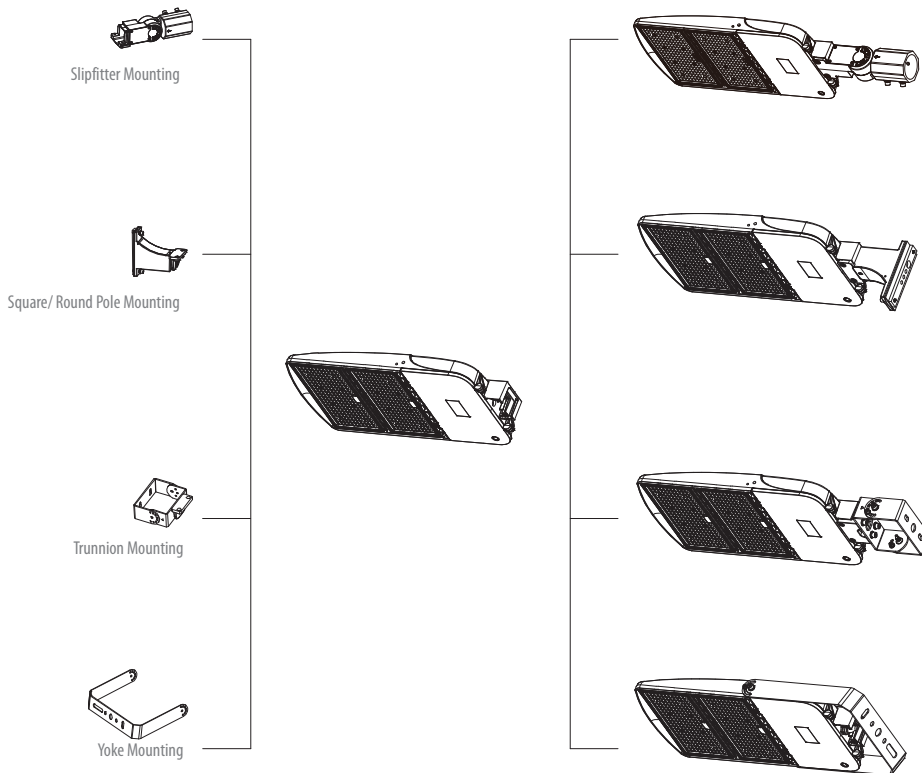
LED Area Light

SSL-AL2

Product Specification

Ordering Code	DLC Premium	Model Number	Wattage (W)	Input Voltage (V)	Hour Rating	Optics/ Distribution	Initial Delivered Lumens (lm)	CCT (K)	CRI	Dimension L×W×H - L2 (inch)	Case QTY.
3666318	Y	SSL-AL2/T3/100W/40/120-347V/DB/D/SCR	100	120-347	50,000	Type III	14,000	4000	80	13.14 X 12.4 X 2.42 - 11.41	1
3666319	Y	SSL-AL2/T3/100W/50/120-347V/DB/D/SCR	100	120-347	50,000	Type III	14,000	5000	80	13.14 X 12.4 X 2.42 - 11.41	1
3667304	Y	SSL-AL2/T3/150W/40/120-347V/DB/D/SCR	150	120-347	50,000	Type III	21,000	4000	80	13.14 X 12.4 X 2.42 - 11.41	1
3667305	Y	SSL-AL2/T3/150W/50/120-347V/DB/D/SCR	150	120-347	50,000	Type III	21,000	5000	80	13.14 X 12.4 X 2.42 - 11.41	1
3667306	Y	SSL-AL2/T3/200W/40/120-347V/DB/D/SCR	200	120-347	50,000	Type III	28,000	4000	80	14.84 X 12.4 X 2.42 - 13.11	1
3667307	Y	SSL-AL2/T3/200W/50/120-347V/DB/D/SCR	200	120-347	50,000	Type III	28,000	5000	80	14.84 X 12.4 X 2.42 - 13.11	1
3667308	Y	SSL-AL2/T3/240W/40/120-347V/DB/D/SCR	240	120-347	50,000	Type III	33,600	4000	80	22.72 X 12.4 X 2.42 - 20.99	1
3667309	Y	SSL-AL2/T3/240W/50/120-347V/DB/D/SCR	240	120-347	50,000	Type III	33,600	5000	80	22.72 X 12.4 X 2.42 - 20.99	1
3668303	Y	SSL-AL2/T3/300W/40/120-347V/DB/D/SCR	300	120-347	50,000	Type III	42,000	4000	80	22.72 X 12.4 X 2.42 - 20.99	1
3668304	Y	SSL-AL2/T3/300W/50/120-347V/DB/D/SCR	300	120-347	50,000	Type III	42,000	5000	80	22.72 X 12.4 X 2.42 - 20.99	1
3660169		SSL-AL2/SSF-MTG/DB	Male Adjustable Slip Fitter, Dark Bronze (Fits 2 3/8" Tenon)								
3660170		SSL-AL2/SQ-RD-POLE-MTG/DB	Universal Male Straight Arm for Square/Round Pole , Dark Bronze								
3660172		SSL-AL2/TRUN-MTG/DB	Male Adjustable Trunnion Mounting, Dark Bronze								
3660174		SSL-AL2/YOKEM-MTG/DB	Yoke mounting, Dark Bronze (for 100W, 150W and 200W units)								
3660175		SSL-AL2/YOKEL-MTG/DB	Yoke mounting, Dark Bronze (for 240W and 300W units)								
3660177		SSL-AL2/UNV-PC	Photocell control (120-277V)								
3660178		SSL-AL2/HVU-PC	Photocell control (120-347V)								
3660179		SSL-AL2/T4-S/LENSSSL	SSL-AL2 Type IV Lens (for 100W, 150W, 240W and 300W units)								
3660180		SSL-AL2/T4-S/LENSM	SSL-AL2 Type IV Lens (for 200W unit)								
3660181		SSL-AL2/T5/LENSSSL	SSL-AL2 Type V Lens (for 100W, 150W, 240W and 300W units)								
3660182		SSL-AL2/T5/LENSM	SSL-AL2 Type V Lens (for 200W unit)								
3660084		SSL-AL/WP/WC	SSL-AL wire to wire connector IP68, 450VAC, GA, AWG 20-14 Black								
3660093		SSL-AL/WALL-MTG/DB	L-Shaped wall mounted bracket, Steel, Dark Bronze, Base W4"xH4", 2 3/8" O.D. tube, 8"H x 4" off-set								

Mounting Options





LED FIXTURE

SSL Series



LED Mini Flood SSL-MFL

Enhanced LED performance in a classic design
Multiple Kelvin Selection



Kunckle Mount



Trunion Mount

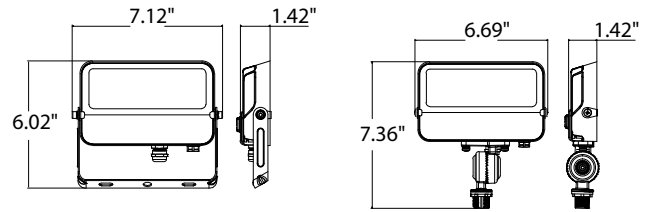


Features & Benefits

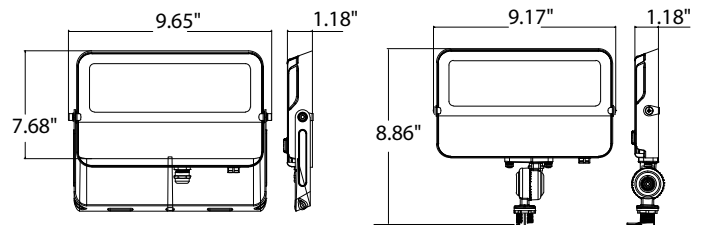
- cULus listed, DLC
- Switchable CCT (30K/40K/50K)
- Optional installation of Kunckle and Trunion Mount
- IP 65, Wet location rated
- 120 Voltage, CRI≥70
- Dark bronze coat finish
- L70 @ 50,000 Hrs

Dimensional drawing

30W



50W



Warranty

- 5-year limited warranty in commercial use from the date of purchase
- Operating temperature range between -40°C and +45°C

Applications

Building facades, displays, landscaping, security lighting, walkways and other work areas

Ordering Information Example: SSL-MFL/30W/MK/120V/DB/KNC

Family Name	Fixture Type	Wattage	CCT (Kelvin)	Voltage	Finish	Mounting
SSL (Solid State Lighting)	MFL (LED Mini Flood)	30W 50W	MK (Multi CCT)	120V	DB (Dark Bronze)	KNC (Kunckle Mounting) TRU (Trunion Mounting)

Product Specification

Ordering Code	DLC	Model Number	Wattage (W)	Input Voltage (V)	Hour Rating	Initial Delivered Lumens (lumen)	CCT (K)	CRI	Wet Location	Case QTY.
3664153	Y	SSL-MFL/30W/MK/120V/DB/KNC	30	120V	50,000	3150	30-40-50	≥70	Yes	24
3664154	Y	SSL-MFL/30W/MK/120V/DB/TRU	30	120V	50,000	3150	30-40-50	≥70	Yes	24
3665170	Y	SSL-MFL/50W/MK/120V/DB/KNC	50	120V	50,000	5250	30-40-50	≥70	Yes	16
3665171	Y	SSL-MFL/50W/MK/120V/DB/TRU	50	120V	50,000	5250	30-40-50	≥70	Yes	16



LED FIXTURE

SSL Series



LED Glass Wall Pack SSL-WP1T

Enhanced LED performance in a classic design with glass lens
120-347V Auto-Sensing Driver
Multiple Wattage and Multiple Kelvin Selection



Features & Benefits

cULus listed, DLC Premium

120-347V Auto Sensing driver, 0-10V dimming

Switchable CCT (30K/40K/50K), Switchable Wattage

Die-cast aluminum with durable dark bronze coat finish

Wet location rated

Junction box or wall mounted directly

CRI≥80, L70 @ 50,000 Hrs

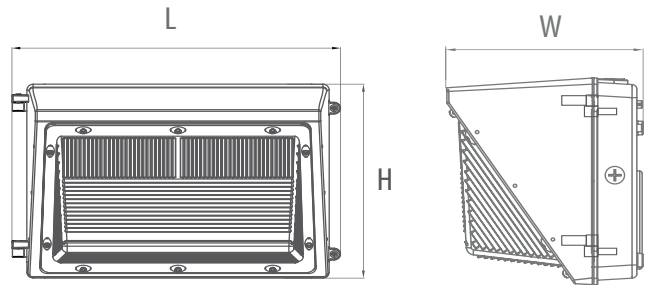
Photocell Sensor optional

Warranty

5-year limited warranty in commercial use from the date of purchase

Operating temperature range between -40°C and +40°C


Dimensional drawing



Applications

Security, pathway and perimeter lighting, Building entryways and walkways

Ordering Information Example: SSL-WP1T/60M/MW/MK/120-347V/D/DB

Family Name	Fixture Type	Size	Wattage	CCT (Kelvin)	Voltage	Dimmable	Finish	Options
SSL (Solid State Lighting)	WP1T (LED Glass Wall Pack)	60M (Max 60w) 100L (Max 100w)	MW (Multi Wattage)	MK (Multi CCT)	120-347V	D (Dimmable)	DB (Dark Bronze)	Photocell Sensor 

Product Specification

Ordering Code	DLC Premium	Model Number	Wattage (W)	Input Voltage (V)	Hour Rating	Initial Delivered Lumens (lumen)	CCT (K)	CRI	Wet Location	Dimension LxWxH(inch)	Case QTY.
3680304	Y	SSL-WP1T/60M/MW/MK/120-347V/D/DB	60-40-28	120-347V	50,000	7200-4800-3360	30-40-50	≥80	Yes	14.3" x 9" x 7.8"	2
3680305	Y	SSL-WP1T/100L/MW/MK/120-347V/D/DB	100-90-80-70	120-347V	50,000	12000-10800-9600-8400	30-40-50	≥80	Yes	14.3" x 9" x 7.8"	2
3660183	-	SSL-WP2T/LV/12V/PC	SSL, Low Voltage, 12V, Photocell (Button Type)								



LED FIXTURE

SSL Series



LED Slim Wall Pack SSL-WP2T

Enhanced LED performance in a classic design, adjustable slim wall pack
120-347V Auto-Sensing Driver
Multiple Wattage and Multiple Kelvin Selection



Head adjustable 0°~90°



Features & Benefits

cULus listed, DLC Premium

120-347V Auto Sensing driver, 0-10V dimming

Switchable CCT (30K/40K/50K), Switchable Wattage

Die-cast aluminum with durable dark bronze coat finish

IP65 rated, wet location

Efficacy > 130LPW, PF>0.9

Type III light distribution

CRI≥70, L70 @ 50,000 Hrs

Motion sensor, Photocell, and Emergency Battery Driver optional

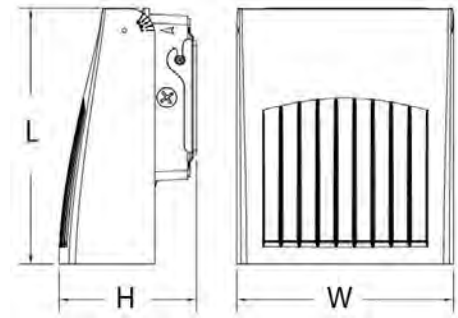
Warranty

5-year limited warranty in commercial use from the date of purchase

Operating temperature range between -40°C and +50°C

Applications

Security, pathway and perimeter lighting Building entryways and walkways



Ordering Information Example: SSL-WP2T/30M/MW/MK/120-347V/D/DB

Family Name	Fixture Type	Size	Wattage	CCT (Kelvin)	Voltage	Dimmable	Finish	Options
SSL (Solid State Lighting)	WP2T (LED Slim Wall Pack)	30M (Max 30W Medium Size) 75L (Max 75W Large Size)	MW (Multi Wattage)	MK (Multi CCT)	120-347V	D (Dimmable)	DB (Dark Bronze)	Motion Sensor Photocell Emergency Battery Driver

Product Specification

Ordering Code	DLC Premium	Model Number	Wattage (W)	Input Voltage (V)	Hour Rating	Initial Delivered Lumens (lumen)	CCT (K)	CRI	Wet Location	Dimension LxWxH(inch)	Case QTY.
3680308	Y	SSL-WP2T/30M/MW/MK/120-347V/D/DB	30-24-20-15	120-347V	50,000	3900-3120-2600-1950	30-40-50	≥70	Yes	7.8" x 4.9" x 6.6"	4
3680309	Y	SSL-WP2T/75L/MW/MK/120-347V/D/DB	75-60-50-40	120-347V	50,000	9750-7800-6500-5200	30-40-50	≥70	Yes	11.3" x 6" x 9.5"	2
3660183	-	SSL-WP2T/LV/12V/PC	SSL WP2T Adjustable Wall Pack, Low Voltage, 12V, Photocell (Button Type)								
3660184	-	SSL-WP2T/EM/120-347V	SSL WP2T Adjustable Wall Pack, Emergency Battery Driver, 120-347V, 9W, 90 Minute,								
3660185	-	SSL-WP2T/EM/B-BOX	SSL WP2T Adjustable Wall Pack, Emergency Battery Driver Back-Box. (must be ordered for above option)								
3660186	-	SSL-WP2T/LV/12V/SENSOR	SSL WP2T Adjustable Wall Pack, Low Voltage, 12V, Microwave Sensor, Max Mtg 15m,								
3660187	-	SSL-WP2T/LV/12V/SENSOR/B-BOX	SSL WP2T Adjustable Wall Pack, Low Voltage, 12V, Microwave Sensor Back-Box, (must be ordered for above option)								

SSL-WP2T/LV/12V/PC



SSL-WP2T/LV/12V/SENSOR



SSL-WP2T/EM/120-347V





LED FIXTURE

SSL Series



Full Cutoff LED Wall Pack

SSL-WP3T

Enhanced LED performance in a classic design
 120-347V Auto-Sensing Driver
 Multiple Wattage and Multiple Kelvin Selection



Medium Size

Large Size



Features & Benefits

- cULus listed, DLC Premium
- 120-347V Auto Sensing driver, 0-10V dimming
- Switchable CCT (30K/40K/50K), Switchable Wattage
- Die-cast aluminum with durable dark bronze coat finish
- IP 65, Wet location rated

- 2 Fixture selection offers 18 possible solutions per fixture
- CRI≥80, L70 @ 50,000 Hrs
- Photocell Sensor installed

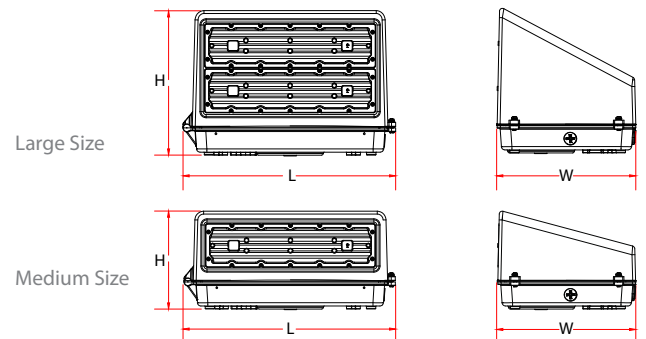
Warranty

- 5-year limited warranty in commercial use from the date of purchase
- Operating temperature range between -40°C and +50°C

Applications

Security, pathway and perimeter lighting, Building entryways and walkways

Dimensional drawing



Ordering Information Example: SSL-WP3T/60M/MW/MK/120-347V/D/PC/DB

Family Name	Fixture Type	Size	Wattage	CCT (Kelvin)	Voltage	Dimmable	Body	Finish
SSL (Solid State Lighting)	WP3T (Full Cutoff LED Wall Pack)	60M (Max 60w Medium Size) 150L (Max 150w Large Size)	MW (Multi Wattage)	MK (Multi CCT)	120-347V	D (Dimmable)	PC (Polycarbonate)	DB (Dark Bronze)

Product Specification

Ordering Code	DLC Premium	Model Number	Wattage (W)	Input Voltage (V)	Hour Rating	Initial Delivered Lumens (lumen)	CCT (K)	CRI	Wet Location	Dimension L×W×H(inch)	Case QTY.
3680302	Y	SSL-WP3T/60M/MW/MK/120-347V/D/PC/DB	60-40-25	120-347V	50,000	7800-5200-3250	30-40-50	≥80	Yes	14.17" × 9.29" × 6.54"	1
3680303	Y	SSL-WP3T/150L/MW/MK/120-347V/D/PC/DB	150-120-90	120-347V	50,000	18400-15600-11700	30-40-50	≥80	Yes	14.17" × 9.29" × 9.65"	1



LED FIXTURE

SSL Series



LED Doorway Light SSL-DW2

Enhanced LED performance in a classic design, offers maximum light output for general purpose area, and security lighting.

Multiple Kelvin Selection



Features & Benefits

cULus listed

Switchable CCT (30K/40K/50K)

120-277 Voltage, CRI≥70

IP 65, Wet location rated

Die-cast aluminum, PC Lens

Dark bronze coat finish

L70 @ 50,000 Hrs

Photocell Sensor installed

Junction box mounted

Warranty

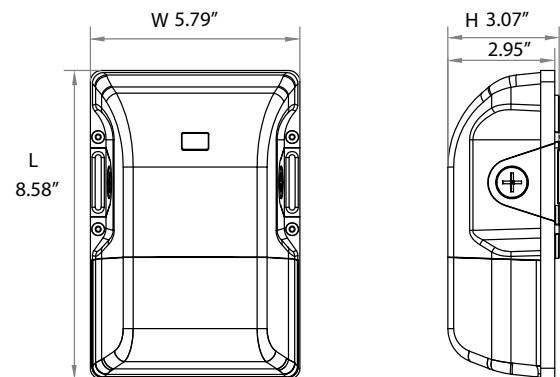
5-year limited warranty in commercial use from the date of purchase

Operating temperature range between -40°C and +40°C

Applications

Security, entryways, stairways, storage, and perimeter areas, as well as residential exteriors

Dimensional drawing



Ordering Information Example: SSL-DW2/15W/MK/UNV/PC/DB

Family Name	Fixture Type	Wattage	CCT (Kelvin)	Voltage	Lens	Finish
SSL (Solid State Lighting)	DW2 (LED Doorway Light)	15W 26W	MK (Multi CCT)	UNV (120-277V)	PC (Polycarbonate)	DB (Dark Bronze)

Product Specification

Ordering Code	Model Number	Wattage (W)	Input Voltage (V)	Hour Rating	Initial Delivered Lumens (lumen)	CCT (K)	CRI	Wet Location	Dimension L×W×H(inch)	Case QTY.
3662157	SSL-DW2/15W/MK/UNV/PC/DB	15	120-277V	50,000	1950	30-40-50	≥70	Yes	8.58 X 5.79 X 3.07	10
3664152	SSL-DW2/26W/MK/UNV/PC/DB	26	120-277V	50,000	3225	30-40-50	≥70	Yes	8.58 X 5.79 X 3.07	10



LED FIXTURE

SSL Series



LED Canopy SSL-CP3

Ultra-thin design allows for use in low ceiling applications.
120-347V Auto-Sensing Driver
0-10V dimming
Multiple Wattage and Multiple Kelvin Selection



Features & Benefits

cULus listed, DLC Premium

120-347V Auto Sensing driver, 0-10V dimming

Switchable CCT (30K/40K/50K), Switchable Wattage

Die-cast aluminum with durable dark bronze coat finish

IP65, wet location rated

CRI≥70, L70 @ 100,000 Hrs, 150° Beam angle

Suitable for J-BOX mounting, and pendant mounting

PC Lens clear

Warranty

5-year limited warranty in commercial use from the date of purchase

Operating temperature range between -40°C and +40°C

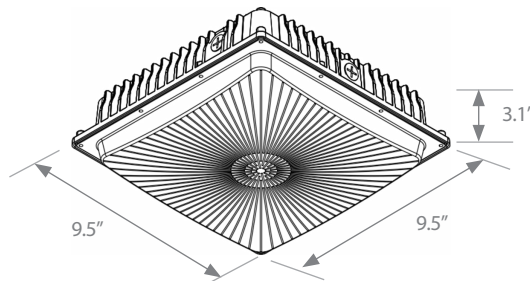
Applications

Parking structures, storage areas, shopping area walkways, entryway, and low level security

Ordering Information Example: SSL-CP3/40W/MK/120-347V/D/DB

Family Name	Fixture Type	Wattage	CCT	Voltage (V)	Dimmable	Finish
SSL (Solid State Lighting)	CP3 (LED Canopy)	40W 60M (60-40-28) MW (Multiple Wattage)	MK (Multiple Kelvin)	120-347V	D (Dimmable)	DB (Dark Bronze)

Dimensional drawing



Product Specification

Ordering Code	DLC Premium	Model Number	Wattage (W)	Input Voltage (V)	Hour Rating	Optics/ Distribution	Initial Delivered Lumens (lm)	CCT (K)	CRI	Dimension L×W×H(inch)	Case QTY.
3665315	Y	SSL-CP3/40W/MK/120-347V/D/DB	40	120-347	50,000	H150° x V150°	5200	30-40-50	70	9.5" x 9.5" x 3.1"	5
3680306	Y	SSL-CP3/60M/MW/MK/120-347V/D/DB	60-40-28	120-347	50,000	H150° x V150°	7800-5200-3640	30-40-50	70	9.5" x 9.5" x 3.1"	5



LED FIXTURE

SSL Series



Photo shown with installed sensor

LED Compact Parking Garage Canopy SSL-CPG

120-347V Auto-Sensing Driver
1-10V dimming
Multiple Kelvin (CCT) Selection



Features & Benefits

- cULus listed, DLC Premium
- System light efficacy ≥ 135 lm / W
- Switchable CCT (30K/40K/50K)
- White finish
- 1-10V DC dimming option
- IP 65 rated, wet location

- Suitable for J-BOX mounting, and pendant mounting
- CRI ≥ 80 , L70@ 50,000 Hrs
- Voltage 120-347V Auto-Sensing
- 150° Beam spread, PC Lens
- Installed sensor socket allows for ease of sensor installation, sensor sold separately

Warranty

5-year limited warranty in commercial use from the date of purchase
Operating temperature range between -40°C and +50°C

Applications

Parking structures, storage areas, shopping area walkways, entryway, and low level security

Ordering Information Example: SSL-CPG/25W/MK/120-347V/WH/D

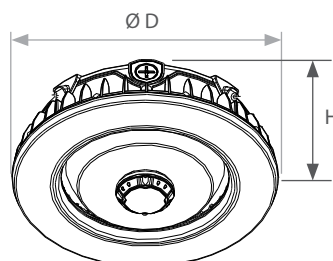
Family Name	Fixture Type	Wattage	CCT (Kelvin)	Voltage	Finish	Dimmable	Options
SSL (Solid State Lighting)	CPG (Compact Parking Garage Canopy)	25W, 40W 60W, 75W 100W	MK (Multi CCT)	120-347V	WH (White)	D (Dimmable)	SSL-CPG/LV/12V/SENSOR SSL-CPG/LV/12V/CONTROLLER

Product Specification

Ordering Code	DLC Premium	Model Number	Wattage (W)	Input Voltage (V)	Hour Rating	Initial Delivered Lumens (lumen)	CCT (K)	CRI	Wet Location	Dimension D×H(inch)	Case QTY.
3664309	Y	SSL-CPG/25W/MK/120-347V/WH/D	25	120-347V	50,000	3500	30-40-50	≥ 80	Yes	10 x 3.1	1
3665314	Y	SSL-CPG/40W/MK/120-347V/WH/D	40	120-347V	50,000	5400	30-40-50	≥ 80	Yes	10 x 3.1	1
3666315	Y	SSL-CPG/60W/MK/120-347V/WH/D	60	120-347V	50,000	8100	30-40-50	≥ 80	Yes	10 x 3.1	1
3666316	Y	SSL-CPG/75W/MK/120-347V/WH/D	75	120-347V	50,000	10100	30-40-50	≥ 80	Yes	11 x 3.1	1
3666317	Y	SSL-CPG/100W/MK/120-347V/WH/D	100	120-347V	50,000	13500	30-40-50	≥ 80	Yes	11 x 3.1	1
3660154		SSL-CPG/LV/12V/SENSOR	SSL CPG Canopy 12V DC Microwave Sensor								
3660155		SSL-CPG/LV/12V/CONTROLLER	SSL CPG Canopy 12V DC Microwave Sensor Remote Control								

Dimensional drawing

	DIA/ D	H
25W, 40W, 60W	10"	3.1"
75W, 100W	11"	3.1"



SSL-CPG/LV/12V/SENSOR

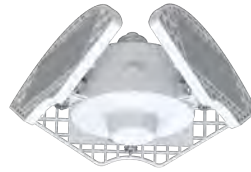


SSL-CPG/LV/12V/CONTROLLER



LED LAMP

HD Series



HD-GCL/80W



LED Garage Light HD-GCL

Adjustable panel
Multiple Wattage offer
E26 extended base option
2 pcs per pack



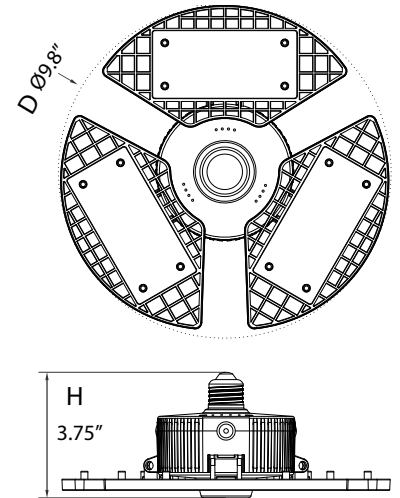
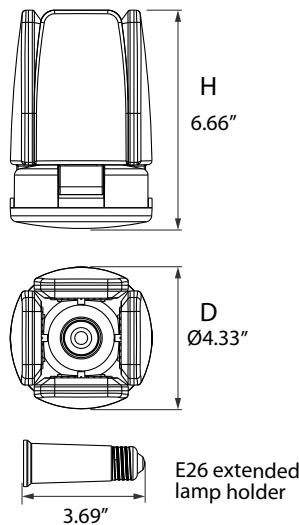
HD-GCL/MW



Features & Benefits

- Indoor standard E26
- 90° adjustable panel design
- 100°-330° adjustable beam angle
- 120V, 5000K (Daylight)
- cETL listed, damp location rated
- CRI≥80, L70 @ 50,000 Hrs

Dimensional Drawing



Warranty

- 5-year limited warranty
- Operating temperature range between -20°C and +40°C

Ordering Information Example: HD-GCL/80W/50/AB/E26/ES

Family Name	Fixture Type	Wattage	CCT (Kelvin)	Panel	Base	Certification	Others
HD (HD Vision)	GCL (LED Garage Light)	80W MW (Multi Wattage)	50 (5000K)	AB (Panel Adjustable)	E26	ES (Energy Star)	Extended Lamp Holder Included (for HD-GCL/MW)

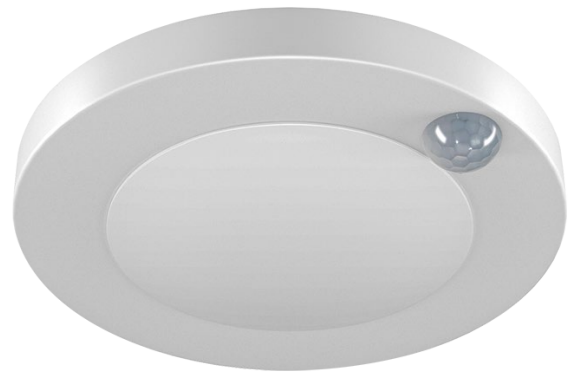
Product Specification

Ordering Code	Energy Star	Model Number	Wattage (W)	Input Voltage (V)	Hour Rating	Initial Delivered Lumens (lumen)	CCT (K)	CRI	Damp Location	Dimensions D×H (inch)	Case QTY.
1786500	-	HD-GCL/MW/50/AB/E26	60W-30W-6W	120V	50,000	6000lm-3000lm-600lm	5,000	80	Yes	4.33" × 6.66"	12 (6 pack)
1786501	Y	HD-GCL/80W/50/AB/E26/ES	80W	120V	50,000	8000lm	5,000	80	Yes	9.8" × 3.75"	12 (6 pack)



LED FIXTURE

RIGID Series



LED Closet Light (With Motion Sensor)

RGD-CL/4

LED 4" Motion sensor flush mount ceiling light



Features & Benefits

cETLus listed, Energy Star

CRI >80

L70 @ 50,000 Hrs

Beam angle 120°

White finish

Wet location approved

Warranty

5-year limited warranty in commercial use from the date of purchase

Operating temperature range between -10°C and +40°C

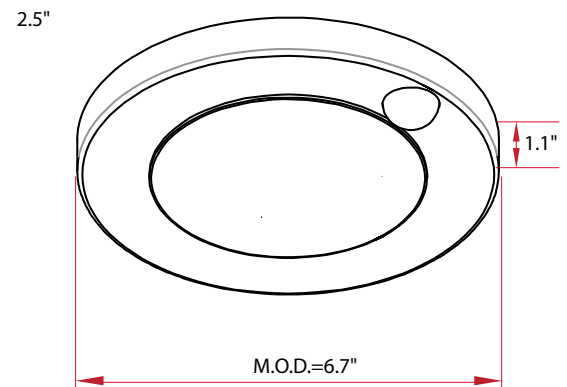
Product Specification

Ordering Code	Energy Star	Model Number	Description	Wattage (W)	Input Voltage (V)	Hour Rating	Initial Delivered Lumens (lumen)	CCT (K)	CRI	Wet Location	M.O.D. (inch)	Case QTY.
3662159	Y	RGDCL/4/10W/30/120V/PIR/WH	LED Closet Light 4" 10W 3000K 120V Motion Sensor White	10	120	50,000	700	3000K	80	Y	6.7"	20

Applications

Closet, bedrooms, living rooms, hallways, kitchens and etc

Dimensional drawing



Ordering Information Example: RGD-CL/4/10W/30/120V/PIR/WH

Family Name	Fixture Type	Wattage	CCT (Kelvin)	Sensor	Finish
RGD (Rigid)	CL (Closet Light)	10W	30 (3000K)	PIR (Motion Sensor)	WH (White)



LED FIXTURE



LED Sports Light SSL-SL

Delivers volumetric lighting and reducing glare.



Electrical Data

Wattage	From 300W to 1,250W
PowerSupply	MEANWELL
Input Voltage	AC100-277V / 347V
Power Frequency	50/60Hz
Power Efficiency	>93%
Power Factor	0.95
Total Harmonic Distortion	<15%

Optical Data

LED Type	LUMILEDS
Efficiency	130lm/W
Luminous Flux	From 39,000 to 146,250lm
CCT	4000K/5000K
CRI	>80Ra
System Efficiency	>90%
Beam Angle	From 15° to 120°

Other Features

cUL listed
L70 100,000 Hrs
10KV surge protection, IP66 rated
2M cable black
Black housing with Red accents

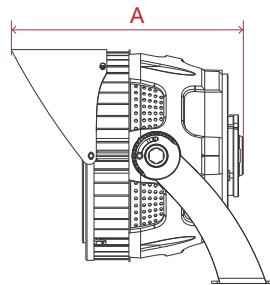
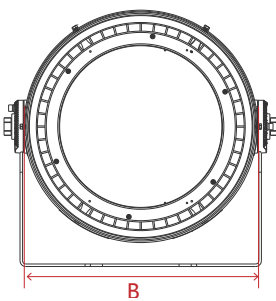
Warranty

5-year limited warranty in commercial use from the date of purchase
 Operating temperature range between -40°C and +50°C

Applications

Indoor/ Outdoor sports arenas

Dimensional drawing

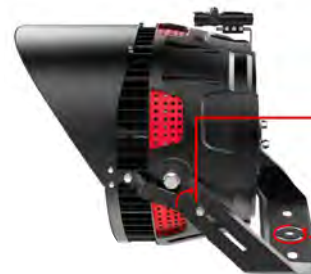


	A	B
300W~500W	398mm/ 15.67"	Ø368mm/ 14.49"
750W~1,250W	500mm/ 19.7"	Ø474mm/ 18.66"



Lens

Products are designed with seamless combination of advanced free forms optics and structure. Unique micromulti facet optic design makes the light uniformity even and reduced glare. Advanced material maximizes light transmittance.



Bracket

Up and down adjustable angle 0° ~ 240°

Left and right adjustable angle 0° ~ 200°



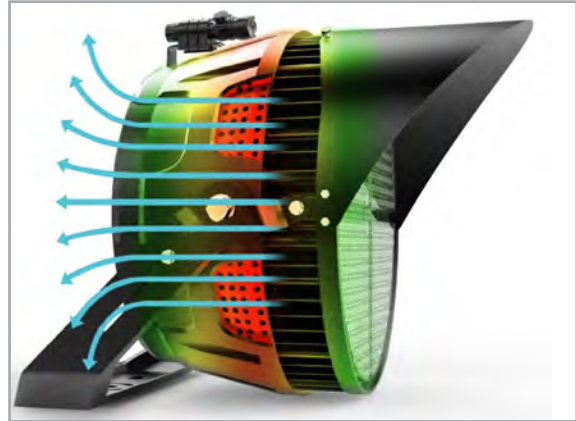
LED Sports Light

SSL-SL

Good heat dissipation can extend the service life of lamps. The high efficiency of power supply, low power consumption, low heat output in the lamps, reduce the temperature rise of the lamps, which is beneficial to extending the LED's life.

Thermal Management

Seamless link of materials and numerous vents on heat sink improved heat management, keeps away from all field heat,ensures the stability of light system.



Driver Supplier

Better heat managment, easier installation, convenient for maintenance and replacement.



Ordering Information Example: SSL-SL/400W/50/UNV/80

Family Name	Fixture Type	Wattage	Lumen	CCT (Kelvin)	Voltage	Beam Angle	Bracket Type
SSL(Solid State Lighting)	SL (Sports Light)	300W	39,000lm	40(4000K)	UNV (100-277V) 347V	15 (15°), 30 (30°)	Blank (Wall Mounting)
		400W	52,000lm	50(5000K)		45 (45°), 80 (80°)	
		500W	65,000lm			120 (120°)	
		750W	87,750lm				
		1000W	130,000lm			15, 20, 25, 40, 60, 80	
		1250W	146,250lm			(15°, 20°, 25°, 40°, 60°, 80°)	



Wall Mounting



LED FIXTURE

TL Series

LED Emergency

TL-RMES101

"Running Man" LED Emergency Sign



Features & Benefits

- Injection-molded thermoplastic housing

- Easy installation

- Ni-cd battery backup for 90 minutes, AC only & 6-24V UDC (TL-RMES101-UDC)

- Universal (Wall, Ceiling, Side) mounting

- Super bright SMD LED

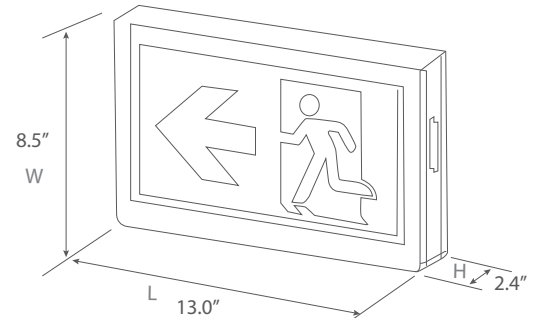
- 120/347VAC input voltage

- 3 Pictograms included, single/ double face

- cUL listed / IP20

- Test switch and charge indicator light

Dimensional Drawing



Arrow 2pcs



Without Arrow 1pc

Warranty

- 2-year limited warranty in commercial use from the date of purchase

- Operating temperature range between -10°C and +40°C

Ordering Information Example: TL-RMES101

Family Name	Fixture Type	Model
TL (Turolight)	RMES ("Running Man" Emergency Sign)	101 (Emergency Sign) 101-UDC (Emergency Sign, AC only & 6-24V UDC)

Product Specification

Ordering Code	Model Number	Description	Wattage (W)	Input Voltage (V)	Mounting	Remote Capable	Self Powered Battery	Damp Location	Dimensions LxWxH (inch)	Case QTY.
3461114	TL-RMES101	"Running Man" LED Emergency Sign, White Housing	3W	120/347VAC	Wall, Ceiling, Side	No	Yes (90 minutes)	Yes	13.0"×8.5"×2.4"	6
3461116	TL-RMES101-UDC	"Running Man" LED Emergency Sign, White Housing AC only & 6-24V UDC	3W	120/347VAC	Wall, Ceiling, Side	Yes	NO	Yes	13.0"×8.5"×2.4"	6



LED FIXTURE

TL Series

LED Emergency

TL-RMES201

"Running Man" LED Edge-lit Emergency Sign



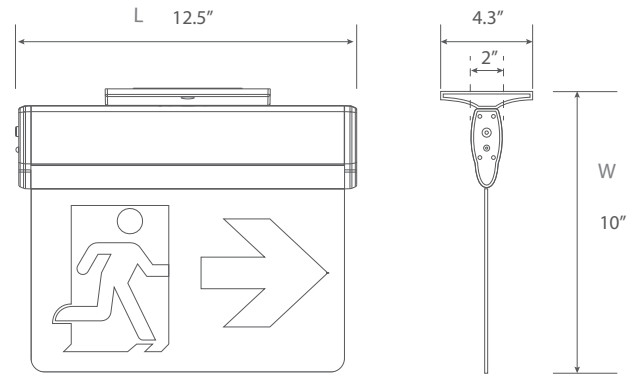
Features & Benefits

- Injection-molded thermoplastic ABS housing
- Easy installation
- Ni-cd battery backup for 90 minutes, AC only & 6-24V UDC (TL-RMES201-UDC)
- Universal (Wall, Side, Ceiling) mounting
- Super bright SMD LED
- 120/347VAC input voltage, 3W
- 3 Pictograms included, single/ double face
- cUL listed / IP20
- Test switch and charge indicator light

Warranty

- 2-year limited warranty in commercial use from the date of purchase
- Operating temperature range between 0°C and +40°C

Dimensional Drawing



Arrow 2pcs



Without Arrow 1pc

Ordering Information Example: TL-RMES201

Family Name	Fixture Type	Model
TL (Turolight)	RMES ("Running Man" Emergency Sign)	201 (Edge-lit Emergency Sign) 201-UDC (Edge-lit Emergency Sign , AC only & 6-24V UDC)

Product Specification

Ordering Code	Model Number	Description	Wattage (W)	Input Voltage (V)	Mounting	Remote Capable	Self Powered Battery	Damp Location	Dimensions* LxW (inch)	Case QTY.
3461115	TL-RMES201	"Running Man" LED Edge-lit Emergency Sign, White Plastic Housing AC only	3W	120/347VAC	Wall, Side, Ceiling	No	Yes (90 minutes)	Yes	12.5"×10"	10
3461117	TL-RMES201-UDC	"Running Man" LED Edge-lit Emergency Sign, White Plastic Housing AC only & 6-24V UDC	3W	120/347VAC	Wall, Side, Ceiling	Yes	No	Yes	12.5"×10"	10

* Please see the "Dimensional Drawing" for detail



LED FIXTURE

TL Series

LED Emergency

TL-RMES301

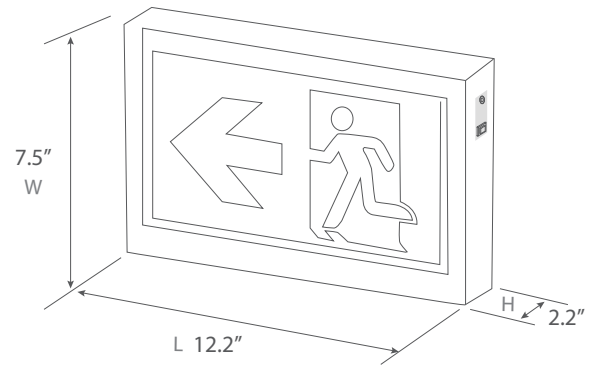
"Running Man" LED emergency sign in metal



Features & Benefits

- CRS housing + PC panel(s)
- Easy installation
- Ni-cd battery backup for 2 hrs (TL-RMES301)
AC only & 6-24V UDC (TL-RMES301-UDC)
- Universal (wall, ceiling, side) mounting
- Super bright SMD LED
- 3 Pictograms included, single/ double face
- CSA C22.2 No. 141/ IP20
- Test switch and charge indicator light

Dimensional Drawing



Arrow 2pcs



Without Arrow 1pc

Warranty

- 2-year limited warranty in commercial use from the date of purchase
- Operating temperature range between -10°C and +40°C

Ordering Information Example: TL-RMES301

Family Name	Fixture Type	Model
TL (Turolight)	RMES ("Running Man" Emergency Sign)	301 (Emergency Sign) 301D-UDC (Emergency Sign AC only & 6-24V UDC)

Product Specification

Ordering Code	Model Number	Description	Wattage (W)	Input Voltage (V)	Mounting	Remote Capable	Self Powered Battery	Damp Location	Dimensions LxWxH (inch)	Case QTY.
3481100	TL-RMES301	"Running Man" LED Emergency Sign, White Metal Housing Ni-cd battery backup for 2 hours	3W (120V) 4W (347V)	120/347VAC	Wall, Ceiling, Side	No	Yes (2 hrs)	Yes	12.2" x 7.5" x 2.2"	10
3461118	TL-RMES301-UDC	"Running Man" LED Emergency Sign, White Metal Housing AC only & 6-24V UDC	3W (120V)	120/347VAC	Wall, Ceiling, Side	Yes	No	Yes	12.2" x 7.5" x 2.2"	10

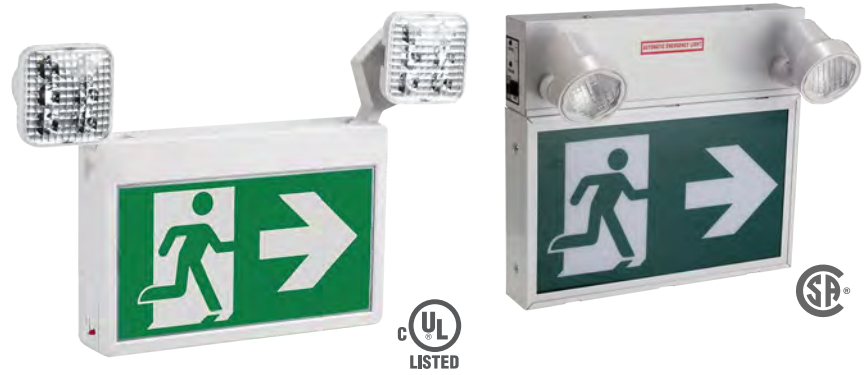


LED FIXTURE

TL Series

LED Emergency TL-RMES003, RMES302

"Running Man" LED Emergency Combo Sign



Features & Benefits

- Injection-molded thermoplastic housing (RMES003). RMES302 metal housing c/w 36W 6V battery pack, allows for the addition of Remote heads.

- Easy installation

- Ni-cd battery backup for 90 minutes

- Universal (Wall, Ceiling) mounting

- 2W x 2 super bright SMD LED adjustable heads

- 120/347VAC input voltage

- 3 Pictograms included, single/ double face

- cUL listed / IP20

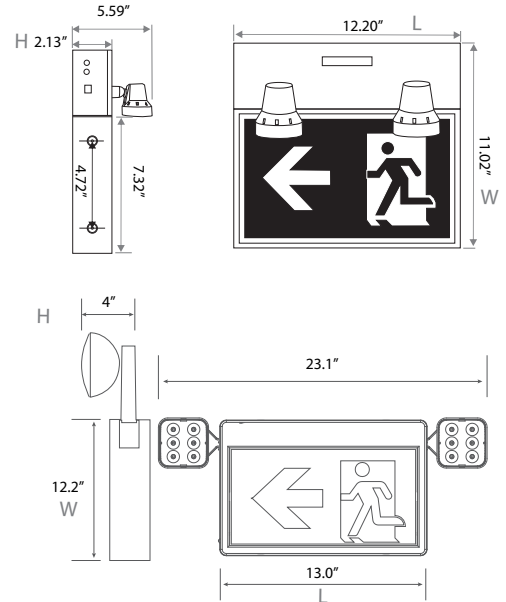
- Test switch and charge indicator light

Warranty

- 2-year limited warranty in commercial use from the date of purchase

- Operating temperature range between -10°C and +40°C

Dimensional Drawing



Ordering Information Example: TL-RMES003

Family Name	Fixture Type	Model
TL (Turolight)	RMES ("Running Man" Emergency Sign)	003 ("Running Man" Combo Sign) Plastic 302 ("Running Man" Combo Sign) Metal, additional 6VDC remote head capable



Product Specification

Ordering Code	Model Number	Description	Image	Wattage (W)	Input Voltage (V)	Mounting	Self Powered Battery	Damp Location	Dimensions LxWxH (inch)	Case QTY.
3461210	TL-RMES003	"Running Man" LED Emergency Sign, White Plastic Housing		4W	120/347VAC	Wall, Ceiling	Yes (90 minutes)	Yes	13.0"×12.2"×4"	4
3461212	TL-RMES302	"Running Man" LED Emergency Sign, White Metal Housing		36W	120/347VAC	Wall, Ceiling	Yes (90 minutes)	Yes	12.2"×11.02"×2.13"	6



LED FIXTURE

TL Series



LED Emergency

TL-EM001

Twin Head LED Emergency Light



Features & Benefits

Injection-molded thermoplastic housing

Input Voltage 120/347V, 181 lumens

Easy installation

Ni-cd battery backup for 90 minutes

2W x 2 SMD LED adjustable heads

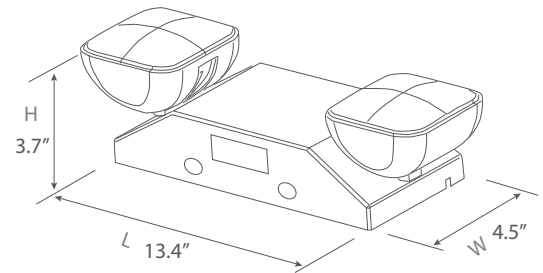
Universal (Wall, Ceiling) mounting

IP Class: IP20, not intended for outdoor use

Test switch and charge indicator light

UL-94V-0 flame rating, fire-retardant

Dimensional Drawing



Warranty

2-year limited warranty in commercial use from the date of purchase

Operating temperature range between -10°C and +40°C

Ordering Information Example: TL-RMES003

Family Name	Fixture Type	Model
TL (Turolight)	EM (Emergency Light)	001 (Twin Head LED Emergency Light)

Product Specification

Ordering Code	Model Number	Description	Wattage (W)	Input Voltage (V)	CCT (K)	Hour Rating	CRI	Lumens	Mounting	Self Powered Battery	Damp Location	Dimensions LxWxH (inch)	Case QTY.
3461211	TL-EM001	Twin Head LED Emergency With Battery Backup	4W	120/347VAC	7,000	50,000	82	181	Wall, Ceiling	Yes (90 minutes)	Yes	13.4"×4.5"×3.7"	12



LED FIXTURE

TL Series

LED Emergency

TL-EM002, TL-EM003

LED Emergency Remote Head



Features & Benefits

Injection-molded thermoplastic housing

Innovative, easy installation

UL-94V-0 flame rating, fire-retardant

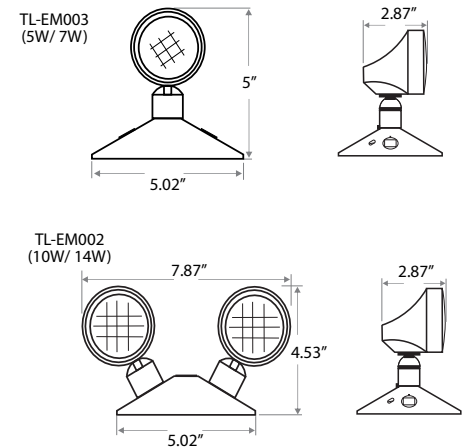
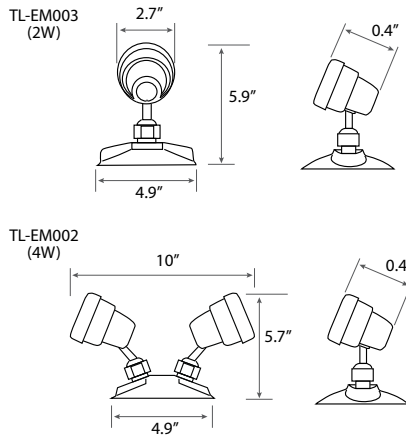
Universal (Wall, Ceiling) mounting

2W/ 5W/ 7W x 2 LED lamp heads (TL-EM002)

2W/ 5W/ 7W x 1 LED lamp head (TL-EM003)

cUL listed / IP20, damp location rated

Dimensional Drawing



Warranty

2-year limited warranty

Operating temperature range between 0°C and +40°C

Ordering Information Example: TL-RMES003

Family Name	Fixture Type	Model	Wattage
TL (Turolight)	EM (Emergency Light)	002 (LED Emergency 2 Remote Heads) 003 (LED Emergency 1 Remote Head)	4W, 10W, 14W 2W, 5W, 7W

Product Specification

Ordering Code	Model Number	Description	Wattage (W)	Input Voltage (V)	CCT (K)	Hour Rating	CRI	Mounting	Remote Capable	Damp Location	Dimensions LxW (inch)	Case QTY.
3461112	TL-EM002	LED Emergency 2 Remote Heads	4W	3.6-24 VDC	7,000	50,000	82	Wall, Ceiling	Yes	Yes	5.7" x 4.9"	40
3462101	TL-EM002-10W	LED Emergency 2 Remote Heads	10W	5-12 VDC	6,500	50,000	82	Wall, Ceiling	Yes	Yes	4.53" x 5.02"	20
3462102	TL-EM002-14W	LED Emergency 2 Remote Heads	14W	5-12 VDC	6,500	50,000	82	Wall, Ceiling	Yes	Yes	4.53" x 5.02"	20
3461113	TL-EM003	LED Emergency 1 Remote Head	2W	3.6-24 VDC	7,000	50,000	82	Wall, Ceiling	Yes	Yes	5.9" x 4.9"	40
3461119	TL-EM003-5W	LED Emergency 1 Remote Head	5W	5-12 VDC	6,500	50,000	82	Wall, Ceiling	Yes	Yes	5" x 5.02"	20
3462100	TL-EM003-7W	LED Emergency 1 Remote Head	7W	5-12 VDC	6,500	50,000	82	Wall, Ceiling	Yes	Yes	5" x 5.02"	20



LED FIXTURE

TL Series



LED Emergency With Battery

TL-EMRM/24W

LED Emergency Light With Battery Backup



Features & Benefits

- Injection-molded thermoplastic ABS housing

- Input Voltage 120/347V, 144 Lumens

- Output 4W, 24W Remote Backup

- 6V 5Ah Lead-acid Battery for 30 minutes

- Remote capable 6V / 24W, support 12 pcs of TL-EM003 or 6 pcs of TL-EM002

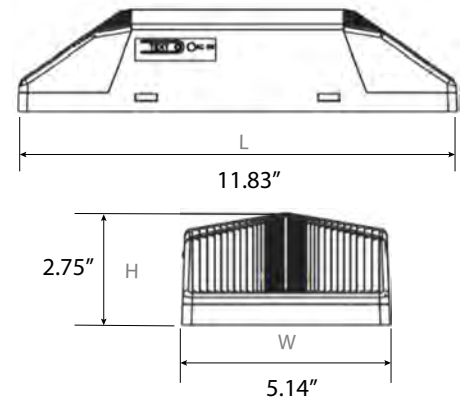
- Universal (Wall, Ceiling) mounting

- IP Class: IP20, not intended for outdoor use

- Conversion time: <0.2second

- Charging time 24 hours

Dimensional Drawing



Warranty

- 2-year limited warranty in commercial use from the date of purchase

- Operating temperature range between 10°C and +40°C



TL-EM003



TL-EM002

Ordering Information Example: TL-EMRM/24W/6VDC/120-347V

Family Name	Fixture Type	Model
TL (Turolight)	EMRM (Emergency Remote)	24W/6VDC/120-347V

Product Specification

Ordering Code	Model Number	Description	Wattage (W)	Input Voltage (V)	CCT (K)	Hour Rating	CRI	Lumens	Mounting	Self Powered Battery	Damp Location	Dimensions LxWxH (inch)	Case QTY.
3464200	TL-EMRM/24W/6VDC/120-347V	Twin Head LED Emergency With Battery Backup 24W Remote capable	4W (24W For Remotes)	120/347VAC	7,000	50,000	82	144	Wall, Ceiling	Yes (30 minutes)	Yes	11.83" x 5.14" x 2.75"	8



LED FIXTURE

TL Series

Steel Battery Unit

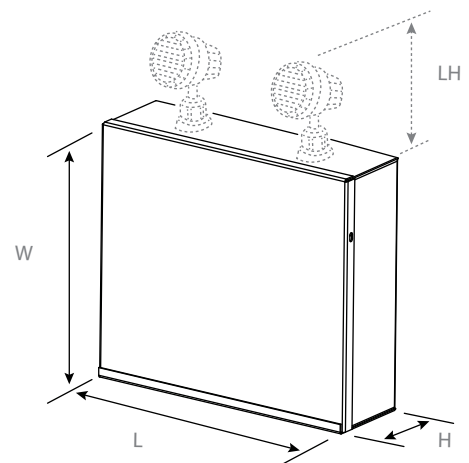
TL-EMRM



Features & Benefits

- 18 Gauge steel housing
- UL-94V-0 flame rating, fire-resistant
- Input Voltage: 120/277/347V
- Power consumption: 8W max.
- Output: 36W-95W max.
- With or without 2x2W heads, 12V / 6V sealed lead-acid battery
- Charging time: 24 hours
- Discharge time: 30 minutes
- Conversion time: <0.2second
- Damp location rated, IP Class: IP20, not intended for outdoor use
- 2-year limited warranty in commercial use from the date of purchase
- Operating temperature 10°C and +40°C

Dimensional Drawing



Ordering Information Example: TL-EMRM/90W/12VDC/0/120-347V

Family Name	Fixture Type	Models
TL (Turolight)	EMRM (Emergency Remote)	90W/12VDC/0/120-347V 90W/12VDC/2/120-347V 95W/12VDC/2/120-347V 36W/6VDC/2/120-347V

Product Specification

Ordering Code	Model Number	Description	Image	Watts (W)	HEADS	Input Voltage (V)	Mounting	Self Powered Battery	Damp Location	Dimensions LxWxH (inch) (LH) (inch)	Case QTY.
3466200	TL-EMRM/90W/12VDC/0/120-347V	Steel battery unit, output 12V 64W max		64W	0	120/277/347VAC	Wall	Yes (30 minutes)	Yes	10.2"×9.1"×3.27"	3
3466201	TL-EMRM/90W/12VDC/2/120-347V	Steel battery unit with 2x2W heads, output 12V 60W max		60W	2	120/277/347VAC	Wall	Yes (30 minutes)	Yes	10.2"×9.1"×3.27" (5")	3
3466202	TL-EMRM/95W/12VDC/2/120-347V	Steel battery unit with 2x2W heads, output 12V 95W max		95W	2	120/277/347VAC	Wall	Yes (30 minutes)	Yes	12.2"×7.87"×2.76" (3.55")	5
3465200	TL-EMRM/36W/6VDC/2/120-347V	Steel battery unit with 2x2W heads, output 6V 36W max		36W	2	120/277/347VAC	Wall	Yes (30 minutes)	Yes	11.8"×5.5"×2.95" (3.55")	10



**PIR HIGH BAY
FIXTURE MOUNT
OCCUPANCY SENSORS**

EFFORTLESS LIGHTING CONTROL



“ CONVENIENCE AND SIMPLICITY!

Highly mountable High Bay 360° sensor provides Passive Infrared (PIR) occupancy detection over a 15-20 ft radial coverage pattern that overlaps the areas lit by a typical high bay fixture.

This line voltage sensor switches loads directly without the need for a power pack. The sensor can be mounts to a fixture with a 1/2 inch knockout for individual ON/OFF control of T5/T8 fluorescent lighting.



Key Features

- **Designed to work with LED/CFL technology**
- **Self-contained relay**
- **Replaces a standard light or fan single-pole switch**
- **Preset time delay**
- **Auto ON/OFF Operation mode***

*The sensor detects changes in the infrared energy given off by occupants as they move within the field-of-view. When occupancy is detected, a self-contained relay switches the connected lighting load on. The sensor is line powered, and switches line voltage. A standard occupancy time delay is also present that ensures lights turn off (assuming minimum on timer has elapsed) if no occupancy is detected. This timer, factory set at 15 seconds, keeps the lights on during brief periods of inactivity. It is knob programmable from 15 seconds to 30 minutes, and is reset every time occupancy is re-detected.

Application

- Warehouse
- Manufacturing plant
- Gymnasium
- Storage Rooms

Other information

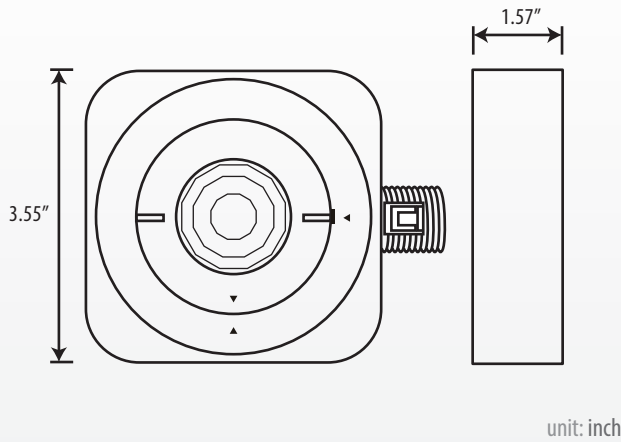
- Two (2) year limited warranty
- Easy retrofit
- cUL listed

Specifications

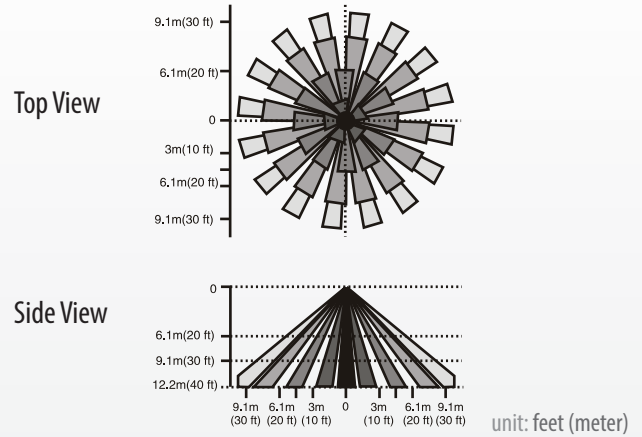
	TL-2052
Technology	PIR
Occupancy/Vacancy	OCC
Coverage (Degrees Sq.Ft)	360° 450
Voltage	120/277/347 VAC
Frequency	50-60 Hz
Load Size	0-800W/0-1200W/0-1500W
Hot Required	Y
Neutral Required	Y
Ground Required	-
LED Indicator	Y
ON/OFF Button	-
Adjustable Sensitivity	Y
Light Harvesting	-
Operation Mode	OCC
Single Pole/2Pole/3-Way	Single Pole
Operating Temp.	0° to 55° C
Size	3.55" H x 3.55" W x 1.57" D
Weight	5 oz
Mounting Height	Up to 30 Ft



Dimensions



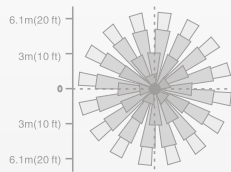
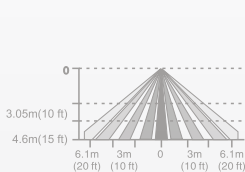
Detection Patterns



You might be interested in:

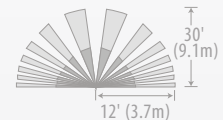
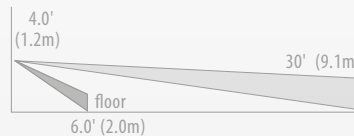
PIR CEILING MOUNT OCCUPANCY SENSORS

Standard Range 360° occupancy sensor which incorporates Passive Infrared (PIR) detection technology into an attractive line powered occupancy sensor that provides amazing sensitivity to small motions and excellent payback.



PIR WALL SWITCH OCCUPANCY SENSORS

Turolight's switch sensors are designed to replace a standard light or fan switch. This device can detect motion from a heat-emitting source (such as a person entering a room) within its field-of-views and automatically turn ON and OFF saving energy and reducing energy bills.



Call now for more information!

Turolight reserves the right to change specifications, modify designs and discontinue items without incurring obligation. Every effort is made to ensure that descriptions, specifications and other information in this data sheet are correct. No warranty is given in respect thereof and the company shall not be liable for any error therein.

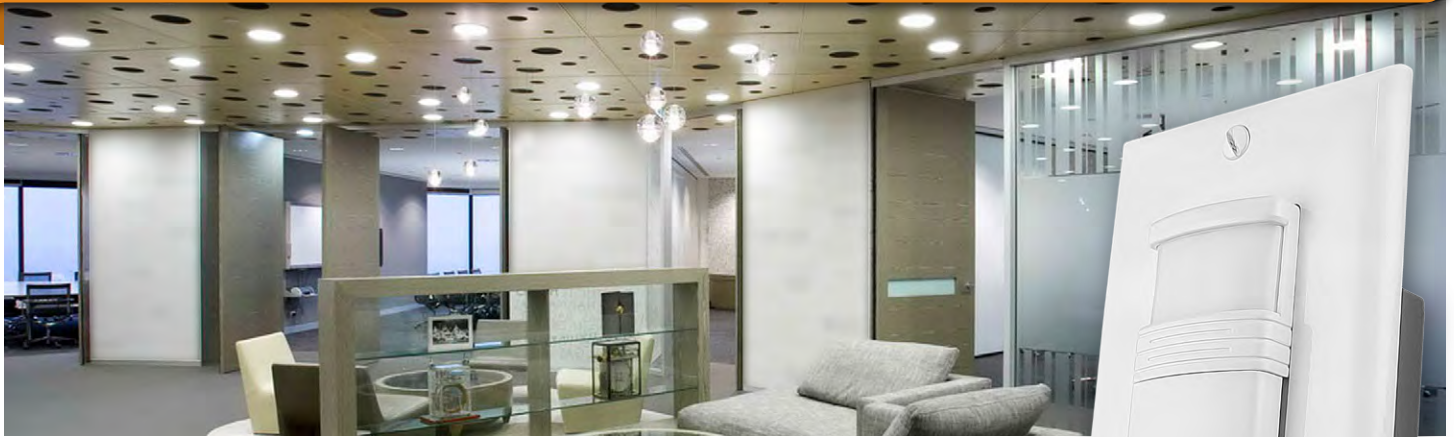
© Turolight, Inc®.
This material is copyright. Except as permitted, no part of this work may be reproduced by any process without prior written permission of and acknowledgement to Turolight, Inc.
The identified trademarks and copyrights are the property of Turolight® unless otherwise noted.
You can find this data sheet and many others online in PDF format at:
www.turolight.com

Distributed by:



**PIR WALL SWITCH
OCCUPANCY SENSORS**

EFFORTLESS LIGHTING CONTROL



“ A FEW MINUTE RETROFIT FOR A LIFE TIME OF SAVINGS!

Turolight’s switch sensors are designed to replace a standard light or fan switch. This device can detect motion from a heat-emitting source (such as a person entering a room) within its field-of-views and automatically turn ON and OFF saving energy and reducing energy bills. Using Vacancy & Occupancy Sensors can reduce energy consumption by 45+%.



Key Features

- **Designed to work with LED/CFL technology**
- **Self-contained relay**
- **Replaces a standard light or fan single-pole switch**
- Preset time delay
- OFF / OCC / VAC three operation modes*

*OCC: Auto ON / Auto OFF VAC: Auto OFF / Manual ON

Application

- Private Offices
- Conference Rooms
- Break Rooms
- Lounges / Hallways
- Stairways
- Rest Rooms
- Storage Rooms
- Classrooms

Other information

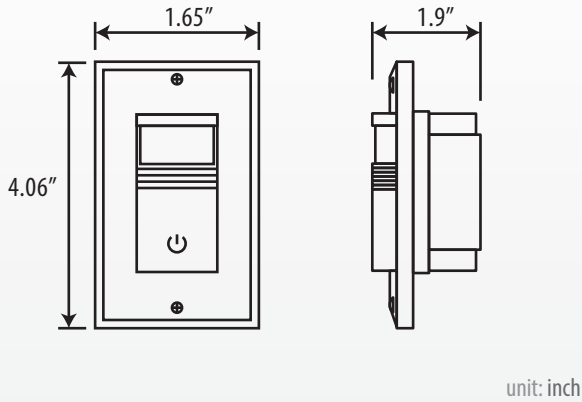
- Two (2) year limited warranty
- Easy retrofit
- cUL listed

Specifications

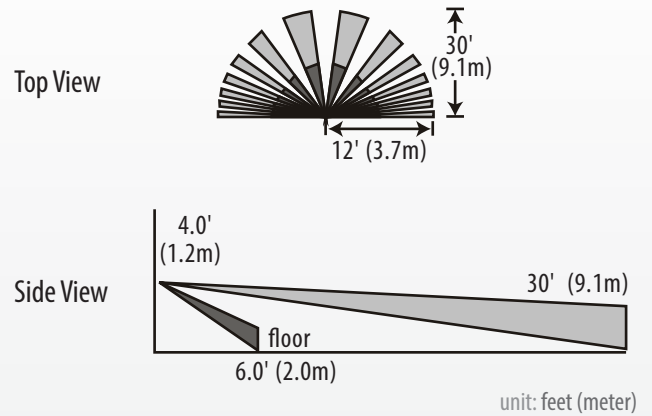
	TL-6012	TL-8012
Technology	PIR	PIR
Occupancy/Vacancy	OCC/VAC	OCC/VAC
Coverage (Degrees Sq.Ft)	180° 600	180° 600
Voltage	120/277 VAC	120/277 VAC
Frequency	50-60 Hz	50-60 Hz
Load Size	0-800W/0-1200W	0-800W/0-1200W
Hot Required	Y	Y
Neutral Required	-	Y
Ground Required	Y	Y
LED Indicator	Y	Y
ON/OFF Button	Y	Y
Adjustable Sensitivity	Y	Y
Light Harvesting	Y	Y
Operation Mode	OCC & RESET/VAC	OCC & RESET/VAC
Single Pole/2Pole/3-Way	Single Pole	Single Pole
Operating Temp.	0° to 55° C	0° to 55° C
Size	4.06" H x 1.68" W x 1.90" D	
Weight	5 oz	5 oz
Mounting Height	30" to 48"	30" to 48"



Dimensions



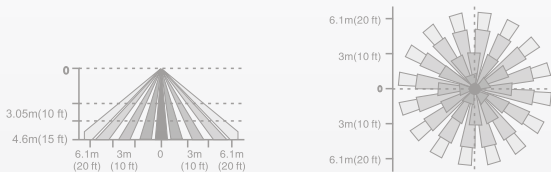
Detection Patterns



You might be interested in:

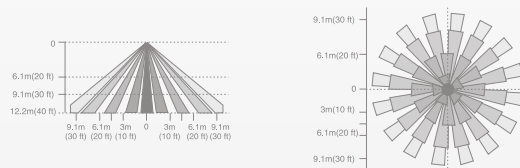
PIR CEILING MOUNT OCCUPANCY SENSORS

Standard Range 360° occupancy sensor which incorporates Passive Infrared (PIR) detection technology into an attractive line powered occupancy sensor that provides amazing sensitivity to small motions and excellent payback.



PIR HIGH BAY FIXTURE MOUNT OCCUPANCY SENSORS

Highly mountable High Bay 360° sensor provides Passive Infrared (PIR) occupancy detection over a 15-20 ft radial coverage pattern that overlaps the areas lit by a typical high bay fixture.



Call now for more information!

Turolight reserves the right to change specifications, modify designs and discontinue items without incurring obligation. Every effort is made to ensure that descriptions, specifications and other information in this data sheet are correct. No warranty is given in respect thereof and the company shall not be liable for any error therein.

© Turolight, Inc.®

This material is copyright. Except as permitted, no part of this work may be reproduced by any process without prior written permission of and acknowledgement to Turolight, Inc.

The identified trademarks and copyrights are the property of Turolight® unless otherwise noted.

You can find this data sheet and many others online in PDF format at:

www.turolight.com

Distributed by:



PIR CEILING MOUNT OCCUPANCY SENSORS

EFFORTLESS LIGHTING CONTROL



6 SENSORS MAKE DOLLARS & SENSE!

Our Standard Range 360° , 450 ft² coverage occupancy sensor which incorporates Passive Infrared (PIR) detection technology into an attractive line powered occupancy sensor that provides amazing sensitivity to small motions and excellent payback. This sensor is an economical solution for providing automatic lighting control where a wall switch replacement sensor is not applicable.



Key Features

- **Designed to work with LED/CFL technology**
- **Self-contained relay**
- **Preset time delay**
- **Auto ON/OFF Operation mode***

*The sensor detects changes in the infrared energy given off by occupants as they move within the field-of-view. When occupancy is detected, a self-contained relay switches the connected lighting load on. The sensor is line powered, and switches line voltage. A standard occupancy time delay is also present that ensures lights turn off (assuming minimum on timer has elapsed) if no occupancy is detected. This timer, factory set at 15 seconds, keeps the lights on during brief periods of inactivity. It is knob programmable from 15 seconds to 30 minutes, and is reset every time occupancy is re-detected.

Application

- Warehouse
- Boardroom
- Gymnasium
- Garage
- Office
- Manufacturing plant

Other information

- Two (2) year limited warranty
- Easy retrofit
- cUL listed

Specifications

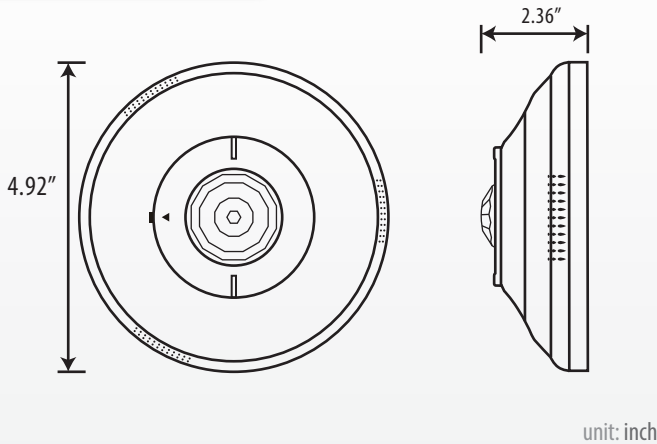
	TL-1032
Technology	PIR
Occupancy/Vacancy	OCC
Coverage (Degrees Sq.Ft)	360° 450
Voltage	120/277 VAC
Frequency	50-60 Hz
Load Size	0-800W/0-1200W
Hot Required	Y
Neutral Required	Y
Ground Required	-
LED Indicator	-
ON/OFF Button	-
Adjustable Sensitivity	Y
Light Harvesting	Y
Operation Mode	OCC
Single Pole/2Pole/3-Way	Single Pole
Operating Temp.	0° to 55° C
Size	2.36" H x 4.92" W x 4.92" D
Weight	5.64 oz
Mounting Height	15 Ft



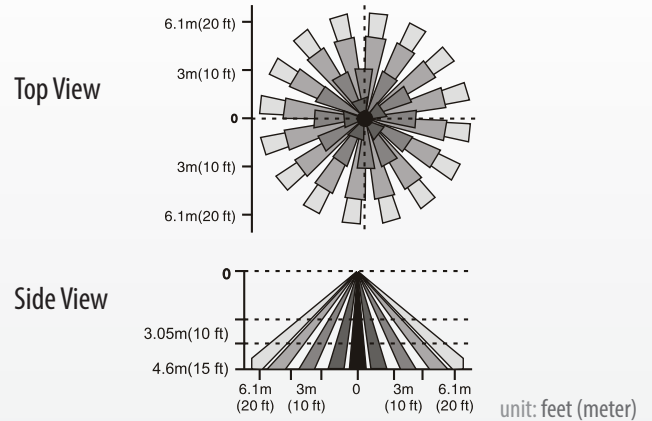


PIR CEILING MOUNT OCCUPANCY SENSORS

Dimensions



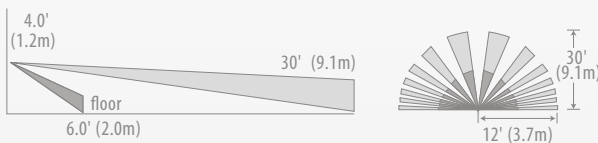
Detection Patterns



You might be interested in:

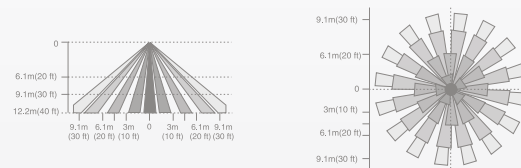
PIR WALL SWITCH OCCUPANCY SENSORS

Turolight's switch sensors are designed to replace a standard light or fan switch. This device can detect motion from a heat-emitting source (such as a person entering a room) within its field-of-views and automatically turn ON and OFF saving energy and reducing energy bills.



PIR HIGH BAY FIXTURE MOUNT OCCUPANCY SENSORS

Highly mountable High Bay 360° sensor provides Passive Infrared (PIR) occupancy detection over a 15-20 ft radial coverage pattern that overlaps the areas lit by a typical high bay fixture.



Call now for more information!

Turolight reserves the right to change specifications, modify designs and discontinue items without incurring obligation. Every effort is made to ensure that descriptions, specifications and other information in this data sheet are correct. No warranty is given in respect thereof and the company shall not be liable for any error therein.

© Turolight, Inc.®

This material is copyright. Except as permitted, no part of this work may be reproduced by any process without prior written permission of and acknowledgement to Turolight, Inc.

The identified trademarks and copyrights are the property of Turolight® unless otherwise noted.

You can find this data sheet and many others online in PDF format at:

www.turolight.com

Distributed by:





VIV-A19, MR16, PAR20/DTW



Features & Benefits

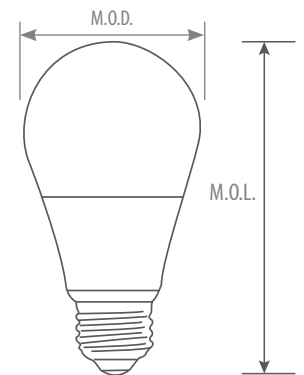
Wider color dimming range from 2200K up to 3000K
 3 DTW products fit into different fixtures, providing a full range of lighting performance from functional to relaxation

15,000 hour average life
 High CRI (80+)
 Damp location rated

Warranty & Cautions

2-year limited warranty from the date of purchase
 Operating temperature range between -20°C and +45°C
 cETL, UL/cUL listed, FCC compliant, RoHS compliant

Dimensional drawing



Product Specification

Ordering Code	Model Number	Watts	Replacement Incandescent	Base	Voltage (V)	Hour Rating	Initial Lumens(lm)	CCT(K)	CRI	Damp Location	M.O.D. (inch)	M.O.L. (inch)	Case QTY.
1752000	VIV-A19/DTW/8W/30/22	8	60W	E26	120	15,000	800	2200-3000	80	Y	2.36	4.40	40
1752001	VIV-MR16/DTW/5.5W/30/22/GU10	5.5	50W	GU10	120	15,000	450	2200-3000	80	Y	1.97	2.17	50
1752002	VIV-PAR20/DTW/6.5W/30/22	6.5	50W	E26	120	15,000	500	2200-3000	80	Y	2.47	3.46	50

Ordering Information Example: VIV-A19/DTW/8W/30/22

LED CLASS	LAMP TYPE	WATTAGE	SPECIAL	CCT (K)	BASE
VIV (Vivid)	A19, MR16, PAR20	5.5W, 6.5W, 8W	DTW (dim to warm)	30/22 (3000K - 2200K)	Blank (E26) Gu10



LED LAMP

VIVID Series



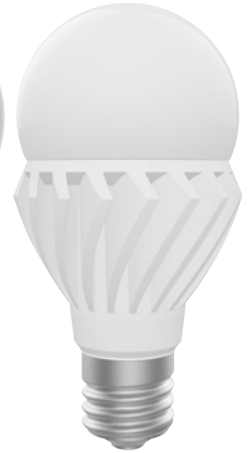
A21



A21 3WAY



PS25 E26



PS30 EX39

VIV-PS25, VIV-PS30, VIV-A21



Features & Benefits

Energy Star listed, DLC listed for PS30

High lumen output

Damp location rated

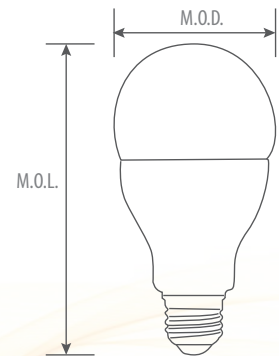
* For applicable models, see product specification below

Beam angle 230°

Enclosed fixture application, Dimmable*

High CRI (90+)*

Dimensional drawing



Warranty & Cautions

15,000hrs: 2-year; 25,000hrs: 3-year; 50,000hrs: 5-year limited warranty

Operating temperature range between -40°C and +40°C

Product Specification

Ordering Code	Energy Star / DLC	Model Number	Watts	Base	Voltage (V)	Hour Rating	Beam Angle	Initial Lumens(lm)	CCT(K)	CRI	Enclosed Fixture Application	Damp Location	Dimmable	M.O.D. (inch)	M.O.L. (inch)	Case QTY.
1754406	ES	VIV-PS25/27W/40/E26	27	E26	120-277	25,000	230°	3200	4000	80	Y	Y	N	3.23	6.73	40
1755404	DLC	VIV-PS30/36W/40/EX39	36	EX39	120-277	50,000	230°	4500	4000	80	Y	Y	N	3.74	7.28	40
1764210	ES	VIV-A21/23W/30/D	23	E26	120	15,000	230°	2550	3000	80	Y	Y	Y	2.63	4.8	40
1753200	ES	VIV-A21/190/18W/30/D	18	E26	120	25,000	230°	2000	3000	90	Y	Y	Y	2.63	4.8	40
1763232	ES	VIV-A21/3WAY/15W/27/D	15/10/5	E26	120	15,000	230°	1600/1100/600	2700	80	Y	Y	Y	2.63	4.8	40



LED LAMP

VIVID Series



5.5W

VIV-A15

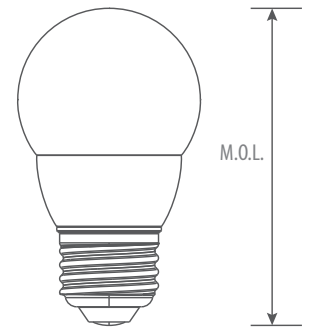


Features & Benefits

5.5W replaces 40W incandescent
6W replaces 50W incandescent
High CRI (80+), dimmable

Enclosed fixture application for 5.5W
Damp location approved

Dimensional drawing



Warranty & Cautions

3-year limited warranty

Operating temperature range between -20°C and +40°C

UL/cUL listed, FCC compliant, RoHS compliant

Product Specification

Ordering Code	Energy Star	Model Number	Watts	Replacement Incandescent	Base	Voltage (V)	Hour Rating	Beam Angle	Initial Lumens(lm)	CCT(K)	CRI	Enclosed Fixture Application	Damp LOC.	M.O.L. (inch)	Case QTY.
1752105	Y	VIV-A15/5.5W/27/D/F	5.5	40W	E26	120	25,000	220°	450	2700	80	Y	Y	3.3	100
1752219	Y	VIV-A15/5.5W/30/D/F	5.5	40W	E26	120	25,000	220°	450	3000	80	Y	Y	3.3	100
1752420	Y	VIV-A15/5.5W/40/D/F	5.5	40W	E26	120	25,000	220°	450	4000	80	Y	Y	3.3	100
1752405	-	VIV-A15/6W/40/D/F	6	50W	E26	120	15,000	180°	500	4000	80	-	Y	3.3	50



6W

Ordering Information Example: VIV-A15/5.5W/27/D/F

LED CLASS	LAMP TYPE	WATTAGE	CCT(K)	DIMMABLE	FROST
VIV (Vivid)	A15	5.5W 6W	27 (2700K) 30 (3000K) 40 (4000K)	D (dimmable)	F (Frost)



LED LAMP

VIVID Series

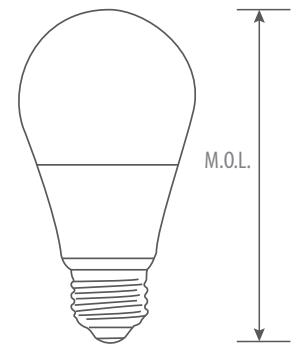


VIV-A19/X18

Features & Benefits

- Energy Star listed
- High CRI (80+), dimmable
- 15W replaces 100W incandescent
- 25,000 hour average life
- 11W replaces 75W incandescent
- Enclosed fixture application
- 9W replaces 60W incandescent
- Damp location approved
- 6W replaces 40W incandescent

Dimensional drawing



Warranty & Cautions

- 3-year limited warranty
- Operating temperature range between -40°C and +45°C
- UL/cUL listed, FCC compliant, RoHS compliant

Product Specification

Ordering Code	ES	Model Number	Watts	Replacement Incandescent	Base	Voltage (V)	Hour Rating	Beam Angle	Initial Lumens(lm)	CCT(K)	CRI	Enclosed Fixture Application	Damp LOC.	M.O.L. (inch)	Case QTY.
1762021	Y	VIV-A19/X18/15W/27/D	15	100W	E26	120	25,000	220°	1600	2700	80	Y	Y	4.9	40
1762797	Y	VIV-A19/X18/15W/30/D	15	100W	E26	120	25,000	220°	1600	3000	80	Y	Y	4.9	40
1762879	Y	VIV-A19/X18/15W/40/D	15	100W	E26	120	25,000	220°	1600	4000	80	Y	Y	4.9	40
1762549	Y	VIV-A19/X18/15W/50/D	15	100W	E26	120	25,000	220°	1600	5000	80	Y	Y	4.9	40
1762798	Y	VIV-A19/X18/11W/30/D	11	75W	E26	120	25,000	220°	1100	3000	80	Y	Y	4.4	40
1762880	Y	VIV-A19/X18/11W/40/D	11	75W	E26	120	25,000	220°	1100	4000	80	Y	Y	4.4	40
1762019	Y	VIV-A19/X18/9W/27/D	9	60W	E26	120	25,000	220°	800	2700	80	Y	Y	4.4	40
1762799	Y	VIV-A19/X18/9W/30/D	9	60W	E26	120	25,000	220°	800	3000	80	Y	Y	4.4	40
1762881	Y	VIV-A19/X18/9W/40/D	9	60W	E26	120	25,000	220°	800	4000	80	Y	Y	4.4	40
1762550	N	VIV-A19/X18/9W/50/D	9	60W	E26	120	25,000	220°	800	5000	80	Y	Y	4.4	40
1762020	Y	VIV-A19/X18/6W/27/D	6	40W	E26	120	25,000	220°	450	2700	80	Y	Y	4.2	40
1762700	Y	VIV-A19/X18/6W/30/D	6	40W	E26	120	25,000	220°	450	3000	80	Y	Y	4.2	40
1762882	Y	VIV-A19/X18/6W/40/D	6	40W	E26	120	25,000	220°	450	4000	80	Y	Y	4.2	40

Ordering Information Example: VIV-A19/X18/15W/27/D

LED CLASS	LAMP TYPE	SERIES	WATTAGE	CCT(K)	DIMMABLE
VIV (Vivid)	A19	X18	15W	50 (5000K) 40 (4000K) 30 (3000K) 27 (2700K)	D (dimmable) Blank (non dimmable)



LED LAMP

PURE VISION

PV-A19



Features & Benefits

- Energy Star listed*, Dimmable*
- 15,000 hour average life
- High CRI (80+)

- Enclosed fixture application
- Damp location approved

Warranty & Cautions

- 2-year limited warranty
- Operating temperature range between -40°C and +45°C
- UL/cUL listed, FCC compliant, RoHS compliant

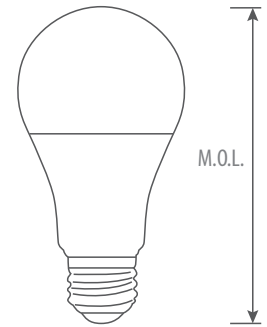
* For applicable models, see product specification below

Ordering Information

Example: PV-A19/X2/12W/27

LED CLASS	LAMP TYPE	WATTAGE	CCT(K)
PV (Pure Vision)	A19 A19/S A19/I8 A19/I8S	8.5W,9W 10W, 14W	50 (5000K), 40 (4000K) 35 (3500K), 30 (3000K) 27 (2700K)

Dimensional drawing



Product Specification

Ordering Code	ES	Model Number	Watts	Replacement Incandescent	Base	Voltage (V)	Hour Rating	Beam Angle	Initial Lumens(lm)	CCT(K)	CRI	Enclosed Fixture Application	Damp LOC.	M.O.L. (inch)	Case QTY.
PV-A19 (Dimmable)															
1732218	Y	PV-A19/9W/30/D	9	60W	E26	120	15,000	220°	800	3000	80	Y	Y	4.3	40
1732417	Y	PV-A19/9W/40/D	9	60W	E26	120	15,000	220°	800	4000	80	Y	Y	4.3	40
1732220	Y	PV-A19/S/9W/30/D	9	60W	E26	120	15,000	220°	800	3000	80	Y	Y	4.3	40
1732419	Y	PV-A19/S/9W/40/D	9	60W	E26	120	15,000	220°	800	4000	80	Y	Y	4.3	40
PV-A19 (Non dimmable)															
1752222	N	PV-A19/I8/14W/30	14	120W	E26	120	15,000	220°	1600	3000	80	Y	Y	4.3	40
1752422	N	PV-A19/I8/14W/40	14	120W	E26	120	15,000	220°	1600	4000	80	Y	Y	4.3	40
1732114	N	PV-A19/I8/8.5W/27	8.5	60W	E26	120	15,000	220°	800	2700	80	Y	Y	4.3	40
1732219	N	PV-A19/I8/8.5W/30	8.5	60W	E26	120	15,000	220°	800	3000	80	Y	Y	4.3	40
1732418	N	PV-A19/I8/8.5W/40	8.5	60W	E26	120	15,000	220°	800	4000	80	Y	Y	4.3	40
1732517	N	PV-A19/I8/8.5W/50	8.5	60W	E26	120	15,000	220°	800	5000	80	Y	Y	4.3	40
1732221	N	PV-A19/I8S/8.5W/30	8.5	60W	E26	120	15,000	220°	800	3000	80	Y	Y	4.3	40
1732420	N	PV-A19/I8S/8.5W/40	8.5	60W	E26	120	15,000	220°	800	4000	80	Y	Y	4.3	40
1732305	Y	PV-A19/10W/35	10	60W	E26	120	15,000	220°	800	3500	80	Y	Y	4.3	40
1732507	Y	PV-A19/10W/50	10	60W	E26	120	15,000	220°	800	5000	80	Y	Y	4.3	40



LED LAMP

PURE VISION

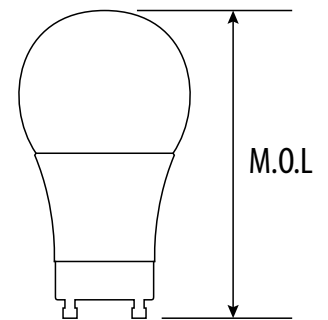


PV-A19 (Base GU24)

Features & Benefits

Energy Star listed, Dimmable	Enclosed fixture application
15,000 hour average life	Damp location approved
High CRI (80+)	Beam angle 230°

Dimensional drawing



Warranty & Cautions

2-year limited warranty
Operating temperature range between -40°C and +40°C
UL/cUL listed, FCC compliant, RoHS compliant

Product Specification

ES	Model Number	Watts	Replacement Incandescent	Base	Voltage (V)	Hour Rating	Beam Angle	Initial Lumens(lm)	CCT(K)	CRI	Enclosed Fixture Application	Damp LOC.	M.O.L. (inch)	Case QTY.
Y	PV-A19/9.5W/27/D/GU	9.5	60W	GU24	120	15,000	230°	800	2700	80	Y	Y	4.17	40
Y	PV-A19/9.5W/30/D/GU	9.5	60W	GU24	120	15,000	230°	800	3000	80	Y	Y	4.17	40
Y	PV-A19/9.5W/40/D/GU	9.5	60W	GU24	120	15,000	230°	800	4000	80	Y	Y	4.17	40
Y	PV-A19/9.5W/50/D/GU	9.5	60W	GU24	120	15,000	230°	800	5000	80	Y	Y	4.17	40

Ordering Information Example: PV-A19/9.5W/27/D/GU

LED CLASS	LAMP TYPE	WATTAGE	CCT(K)	Dimmable	Base
PV	A19	9.5W	27 (2700K)	D(Dimmable)	GU (GU24)

(Pure Vision)

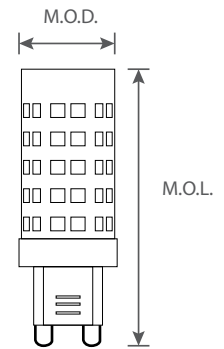


VIV-G9, VIV-G4, VIV-MR11

Features & Benefits

High lumen design	25,000 hour average life*
High CRI ≥80	Enclosed luminaires application*
cETL listed, FCC compliant, RoHS compliant	Damp location approved*
Dimmable, except MR11	* For applicable models, see product specification below

Dimensional drawing



Warranty & Cautions

15,000hrs: 2-year; 25,000hrs: 3-year limited warranty
Operating temperature range between -20°C and +40°C

Product Specification

Ordering Code	Model Number	Watts	Replacement Halogen	Base	Voltage (V)	Hour Rating	Beam Angle	Initial Lumens(lm)	CCT(K)	CRI	Enclosed Fixture	Damp Location	M.O.D. (inch)	M.O.L. (inch)	Case QTY.
1751100	VIV-G9/4W/27/D	4	45W	G9	120	25,000	330°	450	2700	80	Y	Y	0.77	2.16	100
1751200	VIV-G9/4W/30/D	4	45W	G9	120	25,000	330°	450	3000	80	Y	Y	0.77	2.16	100
1751400	VIV-G9/4W/40/D	4	45W	G9	120	25,000	330°	450	4000	80	Y	Y	0.77	2.16	100
1751201	VIV-G4/2.5W/30/D	2.5	30W	G4	12	15,000	360°	300	3000	80	N	N	0.52	1.7	100
1751403	VIV-G4/2.5W/40/D	2.5	30W	G4	12	15,000	360°	300	4000	80	N	N	0.52	1.7	100
1751203	VASO-MR11/3W/30/FL/GU4	3	20W	GU4	12	25,000	30°	200	3000	80	Y	Y	1.38	1.5	100

Ordering Information Example: VIV-G9/4W/27/D

LED CLASS	LAMP TYPE	WATTAGE	CCT (K)	DIMMABLE
VIV (Vivid)	G9	4W (G9)	27 (2700K)	D (dimmable)
VASO	G4	2.5W (G4)	30 (3000K)	
	MR11	3W (MR11)	40 (4000K)	



LED LAMP

HD Series

HD-MR16



Features & Benefits

Energy Star listed, 25,000 hour average life
 Suitable for enclosed fixtures

Dimmable, High CRI (90+)*
 Damp location rated

* For applicable models, see product specification below

Warranty & Cautions

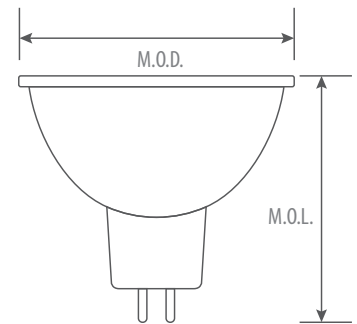
3-year limited warranty from the date of purchase

Operating temperature between -20°C and +45°C

Ordering Information Example: HD-MR16/9W/30/SP15/GU5.3/D/HL

LED CLASS	LAMP TYPE	WATTAGE	CCT(K)	BEAM ANGLE	BASE	DIMMABLE	OTHER
HD	MR16	9W 6.5W	30 (3000K) 40 (4000K)	SP15 (15°) FL25 (25°) FL35 (35°)	GU5.3	D (dimmable)	HL (High Lumen) I90 (CRI 90)

Dimensional drawing



Product Specification

Ordering Code	ES	Model Number	Watts	Replacement Incandescent	Base	Voltage (V)	Hour Rating	Beam Angle	Initial Lumens(lm)	CCT(K)	CRI	C.B.C.P	Enclosed Fixture Application	Damp LOC.	M.O.D. (inch)	M.O.L. (inch)	Case QTY.
HD-MR16																	
1782225	Y	HD-MR16/9W/30/SP15/GU5.3/D/HL	9	60W	GU5.3	12	25,000	15°	685	3000	80	6800	Y	Y	1.97	1.87	50
1782226	Y	HD-MR16/9W/30/FL25/GU5.3/D/HL	9	60W	GU5.3	12	25,000	25°	685	3000	80	3200	Y	Y	1.97	1.87	50
1782227	Y	HD-MR16/9W/30/FL35/GU5.3/D/HL	9	60W	GU5.3	12	25,000	35°	685	3000	80	1850	Y	Y	1.97	1.87	50
1782228	Y	HD-MR16/9W/30/FL35/GU5.3/D/I90	9	40W	GU5.3	12	25,000	35°	565	3000	90	1463	Y	Y	1.97	1.87	50
1762810	Y	HD-MR16/6.5W/40/FL35/JDR/D	6.5	40W	GU5.3	12	25,000	35°	500	4000	80	1346	Y	Y	1.97	2.3	50



LED LAMP

VIVID Series



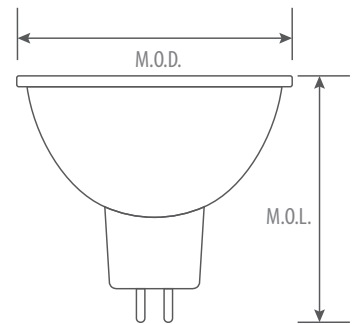
VIV-MR16



Features & Benefits

- Energy Star listed
- 25,000 hour average life
- 7W/6.5W replaces 50W/40W incandescent
- Damp location approved
- High CRI (80+), dimmable

Dimensional drawing



Warranty & Cautions

- 3-year limited warranty
- Operating temperature range between -20°C and +45°C

Ordering Information

Example: VIV-MR16/6.5W/27/WFL35/JDR/S/D

LED CLASS	LAMP TYPE	WATTAGE	CCT(K)	BEAM ANGLE	BASE	NECK LENGTH	DIMMABLE
VIV (Vivid)	MR16 MR16/T3	7W 6W, 6.5W	50 (5000K) 40 (4000K) 30 (3000K) 27 (2700K)	WFL40 (40°) WFL35 (35°) FL25 (25°)	JDR (E26) GU10 GUS.3	L (Long) S (Short)	D (dimmable) Blank (non dimmable)

Product Specification

Ordering Code	ES	Model Number	Watts	Replacement Incandescent	Base	Voltage (V)	Hour Rating	Beam Angle	Initial Lumens(lm)	CCT(K)	CRI	C.B.C.P	Enclosed Fixture Application	Damp LOC.	M.O.D. (inch)	M.O.L. (inch)	Case QTY.
1752202	Y	VIV-MR16/T3/7W/30/WFL40/GU5.3/D	7	50W	GU5.3	12	25,000	40°	500	3000	80	1251	-	Y	1.97	1.8	100
1752402	N	VIV-MR16/T3/7W/40/WFL40/GU5.3/D	7	50W	GU5.3	12	25,000	40°	500	4000	80	1251	-	Y	1.97	1.8	100
1752203	Y	VIV-MR16/T3/6W/30/WFL40/GU10/D	6	40W	GU10	120	25,000	40°	455	3000	83	1442	-	Y	1.89	2.05	50
1762013	N	VIV-MR16/6.5W/27/FL25/GU10/D	6.5	40W	GU10	120	25,000	25°	480	2700	80	1442	-	Y	1.97	2.17	50
1762787	Y	VIV-MR16/6.5W/30/FL25/GU10/D	6.5	40W	GU10	120	25,000	25°	480	3000	80	1442	-	Y	1.97	2.17	50
1762870	N	VIV-MR16/6.5W/40/FL25/GU10/D	6.5	40W	GU10	120	25,000	25°	480	4000	80	1495	-	Y	1.97	2.17	50
1762014	N	VIV-MR16/6.5W/27/WFL35/GU10/D	6.5	40W	GU10	120	25,000	35°	480	2700	80	1080	-	Y	1.97	2.17	50
1762788	Y	VIV-MR16/6.5W/30/WFL35/GU10/D	6.5	40W	GU10	120	25,000	35°	480	3000	80	1080	-	Y	1.97	2.17	50
1762871	Y	VIV-MR16/6.5W/40/WFL35/GU10/D	6.5	40W	GU10	120	25,000	35°	480	4000	80	1168	-	Y	1.97	2.17	50
1762009	N	VIV-MR16/6.5W/27/FL25/JDR/S/D	6.5	40W	E26	120	25,000	25°	500	2700	80	1495	-	Y	1.97	2.28	50
1762789	N	VIV-MR16/6.5W/30/FL25/JDR/S/D	6.5	40W	E26	120	25,000	25°	500	3000	80	1495	-	Y	1.97	2.28	50
1762872	N	VIV-MR16/6.5W/40/FL25/JDR/S/D	6.5	40W	E26	120	25,000	25°	500	4000	80	1495	-	Y	1.97	2.28	50
1762010	N	VIV-MR16/6.5W/27/WFL35/JDR/S/D	6.5	40W	E26	120	25,000	35°	500	2700	80	1080	-	Y	1.97	2.28	50
1762790	N	VIV-MR16/6.5W/30/WFL35/JDR/S/D	6.5	40W	E26	120	25,000	35°	500	3000	80	1080	-	Y	1.97	2.28	50
1762873	N	VIV-MR16/6.5W/40/WFL35/JDR/S/D	6.5	40W	E26	120	25,000	35°	500	4000	80	1080	-	Y	1.97	2.28	50
1762544	N	VIV-MR16/6.5W/50/WFL35/JDR/S/D	6.5	40W	E26	120	25,000	35°	500	5000	80	1080	-	Y	1.97	2.28	50
1762011	N	VIV-MR16/6.5W/27/FL25/JDR/L/D	6.5	40W	E26	120	25,000	25°	480	2700	80	1442	-	Y	1.97	2.84	50
1762791	Y	VIV-MR16/6.5W/30/FL25/JDR/L/D	6.5	40W	E26	120	25,000	25°	480	3000	80	1442	-	Y	1.97	2.84	50
1762874	N	VIV-MR16/6.5W/40/FL25/JDR/L/D	6.5	40W	E26	120	25,000	25°	480	4000	80	1495	-	Y	1.97	2.84	50
1762012	Y	VIV-MR16/6.5W/27/WFL35/JDR/L/D	6.5	40W	E26	120	25,000	35°	480	2700	80	1080	-	Y	1.97	2.84	50
1762792	Y	VIV-MR16/6.5W/30/WFL35/JDR/L/D	6.5	40W	E26	120	25,000	35°	480	3000	80	1080	-	Y	1.97	2.84	50
1762875	Y	VIV-MR16/6.5W/40/WFL35/JDR/L/D	6.5	40W	E26	120	25,000	35°	480	4000	80	1168	-	Y	1.97	2.84	50



LED LAMP

VASO Series



VASO-MR16

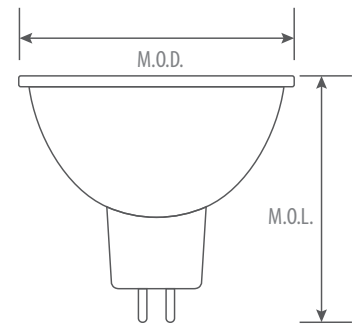


Features & Benefits

Energy Star listed*	25,000 hour average life*
Glass Housing	Enclosed fixture application*
High CRI (80+), dimmable	Damp location approved

* For applicable models, see product specification below

Dimensional drawing



Warranty & Cautions

15,000hrs: 2-year; 25,000hrs: 3-year limited warranty
Operating temperature range between -40°C and +40°C (GU10), -20°C and +45°C (GU5.3)
cETL listed for GU5.3, cUL listed for GU10

Product Specification

Ordering Code	ES	Model Number	Watts	Replacement Incandescent	Base	Voltage (V)	Hour Rating	Beam Angle	Initial Lumens(lm)	CCT(K)	CRI	C.B.C.P	Enclosed Fixture Application	Damp LOC.	M.O.D. (inch)	M.O.L. (inch)	Case QTY.
1751202	-	VASO-MR16/5W/30/WFL40/GU10/D	5	50W	GU10	120	15,000	40°	500	3000	80	680	-	Y	1.97	2.11	100
1751402	-	VASO-MR16/5W/40/WFL40/GU10/D	5	50W	GU10	120	15,000	40°	500	4000	80	680	-	Y	1.97	2.11	100
1762038	Y	VASO-MR16/7W/30/WFL40/GU10/D	7	50W	GU10	120	25,000	40°	520	3000	80	895	Y	Y	1.97	2.20	100
1762894	Y	VASO-MR16/7W/40/WFL40/GU10/D	7	50W	GU10	120	25,000	40°	520	4000	80	895	Y	Y	1.97	2.20	100
1762198	Y	VASO-MR16/6W/27/FL35/GU5.3/D	6	40W	GU5.3	12	25,000	35°	450	2700	80	877	Y	Y	1.97	1.8	50
1762760	Y	VASO-MR16/6W/30/FL35/GU5.3/D	6	40W	GU5.3	12	25,000	35°	450	3000	80	877	Y	Y	1.97	1.8	50
1762847	Y	VASO-MR16/6W/40/FL35/GU5.3/D	6	40W	GU5.3	12	25,000	35°	450	4000	80	877	Y	Y	1.97	1.8	50



VASO-MR16/5W/GU10



VASO-MR16/7W/GU10

Ordering Information Example: VASO-MR16/6W/27/FL35/GU5.3/D

LED CLASS	LAMP TYPE	WATTAGE	CCT(K)	BEAM ANGLE	BASE	DIMMABLE
VASO	MR16	5W 6W 7W	27 (2700K) 30 (3000K) 40 (4000K)	FL35 (35°) WFL40 (40°)	GU5.3 GU10	D (dimmable) Blank (non dimmable)



LED LAMP

HD Series



HD-PAR38, HD-PAR30LN, HD-PAR30



Features & Benefits

Outstanding high lumen output, for premium and high ceiling applications

May be used to replace high lumen PAR, including Ceramic Metal Halide (CMH)

3 different beam angles (PAR 38/26W) to meet all your lighting needs

Excellent performance for task lighting

50,000 hour average life, Energy Star listed*

Energy saving up to 80% (compared with CMH)

Enclosed fixture application and wet location approved*

High CRI (Up to 90+)

*For applicable models, see product specification below.

Warranty & Cautions

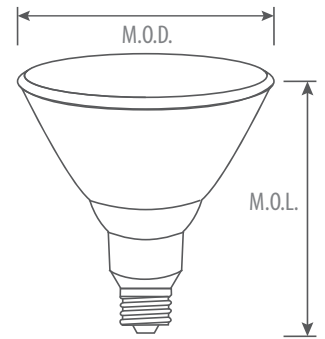
5-year (ES approved), 3-year (non ES) limited warranty

Operating temperature range between -20°C and +40°C

UL/cUL listed, FCC compliant, RoHS compliant

For replacement of CMH lamp types, you need to disconnect ballasts before installation

Dimensional drawing



Product Specification

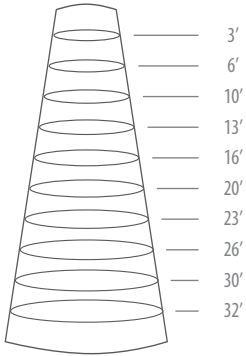
Ordering Code	ES*	Model Number	Watts	Replacement CMH	Base	Voltage (V)	Hour Rating	Beam Angle	Initial Lumens(lm)	CCT(K)	CRI	C.B.C.P. (cd)	EFA ¹	Wet LOC.*	Damp LOC.	M.O.D. (inch)	M.O.L. (inch)	Case QTY.
HD-PAR38 (non dimmable)																		
1785203	Y	HD-PAR38/38W/30/FL25	38	100W	E26	120	50,000	25°	4000	3000	80	17500	N	Y	Y	4.8	5.04	10
1785401	Y	HD-PAR38/38W/40/FL25	38	100W	E26	120	50,000	25°	4000	4000	80	17500	N	Y	Y	4.8	5.04	10
1785200	Y	HD-PAR38/38W/30/WFL40	38	100W	E26	120	50,000	40°	4000	3000	80	8000	N	Y	Y	4.8	5.04	10
1785400	Y	HD-PAR38/38W/40/WFL40	38	100W	E26	120	50,000	40°	4000	4000	80	8000	N	Y	Y	4.8	5.04	8
HD-PAR38 (dimmable)																		
1784201	Y	HD-PAR38/26W/30/SP15/D	26	70W	E26	120	50,000	15°	2400	3000	90	20000	Y	Y	Y	4.8	5.04	8
1784202	Y	HD-PAR38/26W/30/FL25/D	26	70W	E26	120	50,000	25°	2400	3000	90	11000	Y	Y	Y	4.8	5.04	8
1784203	Y	HD-PAR38/26W/30/WFL40/D	26	70W	E26	120	50,000	40°	2400	3000	90	4000	Y	Y	Y	4.8	5.04	8
1784405	Y	HD-PAR38/26W/40/SP15/D	26	70W	E26	120	50,000	15°	2400	4000	90	20000	Y	Y	Y	4.8	5.04	8
1784406	Y	HD-PAR38/26W/40/FL25/D	26	70W	E26	120	50,000	25°	2400	4000	90	11000	Y	Y	Y	4.8	5.04	8
1784407	Y	HD-PAR38/26W/40/WFL40/D	26	70W	E26	120	50,000	40°	2400	4000	90	4000	Y	Y	Y	4.8	5.04	8
HD-PAR30																		
1785201	Y	HD-PAR30LN/33W/30/FL25/D	33	70W	E26	120	50,000	25°	3000	3000	90	13000	N	N	Y	3.74	4.65	12
1785402	Y	HD-PAR30LN/33W/40/FL25/D	33	70W	E26	120	50,000	25°	3000	4000	90	13000	N	N	Y	3.74	4.65	12
1785202	Y	HD-PAR30LN/33W/30/WFL40/D	33	70W	E26	120	50,000	40°	3000	3000	90	6500	N	N	Y	3.74	4.65	12
1785403	Y	HD-PAR30LN/33W/40/WFL40/D	33	70W	E26	120	50,000	40°	3000	4000	90	6500	N	N	Y	3.74	4.65	12
1785404	N	HD-PAR30LN/33W/30/WFL60/D	33	70W	E26	120	50,000	60°	3000	3000	90		N	N	Y	3.74	4.65	12
1785404	N	HD-PAR30LN/33W/40/WFL60/D	33	70W	E26	120	50,000	60°	3000	4000	90		N	N	Y	3.74	4.65	12
1782225	N	HD-PAR30/11W/30/FL25/D	11	39W	E26	120	40,000	25°	1100	3000	80	2910	Y	N	Y	3.74	3.58	30
1782226	N	HD-PAR30/11W/30/WFL40/D	11	39W	E26	120	40,000	40°	1100	3000	80	1315	Y	N	Y	3.74	3.58	30

¹ Enclosed Fixture Application



HD-PAR38, HD-PAR30LN, HD-PAR30

Accent Lighting Performance



HD-PAR38/26W/30/SP15/D

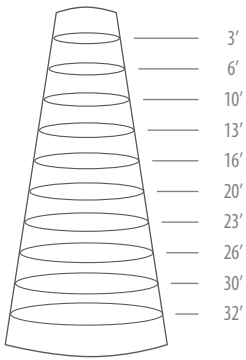
Distance	Footcandles	Diameter
3'	1961	0.81'
6'	490.2	1.63'
10'	176.5	2.71'
13'	104.4	3.52'
16'	68.9	4.34'
20'	44.1	5.42'
23'	33.4	6.23'
26'	26.1	7.05'
30'	19.6	8.13'
32'	17.2	8.67'

HD-PAR38/26W/30/FL25/D

Distance	Footcandles	Diameter
3'	1322	1.11'
6'	330.5	2.22'
10'	119	3.70'
13'	70.4	4.81'
16'	46.5	5.92'
20'	29.8	7.41'
23'	22.5	8.52'
26'	17.6	9.63'
30'	13.2	11.11'
32'	11.6	11.85'

HD-PAR38/26W/30/WFL40/D

Distance	Footcandles	Diameter
3'	573.5	2.22'
6'	143.4	4.44'
10'	51.6	7.41'
13'	30.5	9.63'
16'	20.2	11.85'
20'	12.9	14.81'
23'	9.8	17.03'
26'	7.6	19.25'
30'	5.7	22.22'
32'	5	23.70'

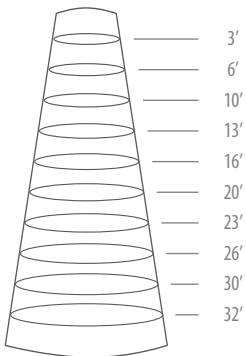


HD-PAR38/38W/30/FL25

Distance	Footcandles	Diameter
3'	2264	1.04'
6'	566.1	2.07'
10'	203.8	3.45'
13'	120.6	4.49'
16'	79.6	5.52'
20'	50.9	6.91'
23'	38.5	7.94'
26'	30.2	8.97'
30'	22.6	10.35'
32'	19.9	11.04'

HD-PAR38/38W/30/WFL40

Distance	Footcandles	Diameter
3'	901.7	2.19'
6'	225.4	4.38'
10'	81.2	7.31'
13'	48	9.50'
16'	31.7	11.69'
20'	20.3	14.61'
23'	15.3	16.80'
26'	12	19.00'
30'	9	21.92'
32'	7.9	23.38'



HD-PAR30LN/33W/30/FL25/D

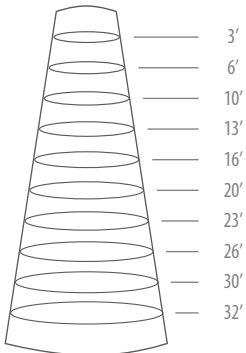
Distance	Footcandles	Diameter
3'	1186	1.22'
6'	296.6	2.43'
10'	106.8	4.06'
13'	63.2	5.27'
16'	41.7	6.49'
20'	26.7	8.11'
23'	20.2	9.33'
26'	15.8	10.54'
30'	11.9	12.17'
32'	10.4	12.98'

HD-PAR30LN/33W/30/WFL40/D

Distance	Footcandles	Diameter
3'	712.7	2.03'
6'	178.2	4.05'
10'	64.1	6.76'
13'	37.9	8.78'
16'	25.1	10.81'
20'	16	13.51'
23'	12.1	15.54'
26'	9.5	17.56'
30'	7.1	20.27'
32'	6.3	21.62'

HD-PAR30LN/33W/30/WFL60/D

Distance	Footcandles	Diameter
3'	256	3.9'
6'	n.a.	n.a.
10'	28.4	11.7'
13'	16	15.6'
17'	9.5	20.2'
20'	7.1	23.4'
23'	5.2	27.3'
26'	4.0	31.2'
30'	3.2	35'
32'	2.6	38'



HD-PAR30/11W/30/FL25/D

Distance	Footcandles	Diameter
3'	480.5	1.15'
6'	120.1	2.30'
10'	43.2	3.83'
13'	25.6	4.97'
16'	16.9	6.12'
20'	10.8	7.65'
23'	8.2	8.80'
26'	6.4	9.94'
30'	4.8	11.47'
32'	4.2	12.24'

HD-PAR30/11W/30/WFL40/D

Distance	Footcandles	Diameter
3'	248	2.02'
6'	62	4.03'
10'	22.3	6.73'
13'	13.2	8.75'
16'	8.7	10.77'
20'	5.6	13.46'
23'	4.2	15.48'
26'	3.3	17.5'
30'	2.5	20.19'
32'	2.2	21.54'



VIV-PAR20/190

Features & Benefits

Deliver nearly perfect color accuracy and reproduction
High CRI (90+), Dimmable

7W replaces 50W incandescent

25,000 hour average life

Enclosed luminaires application

Wet location approved

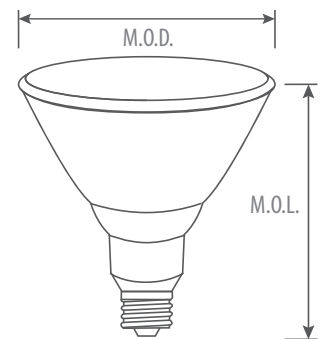
Warranty & Cautions

3-year limited warranty from the date of purchase

Operating temperature range between -40°C and +45°C

cETL listed, FCC compliant, RoHS compliant

Dimensional drawing



Product Specification

Ordering Code	Model Number	Watts	Replacement Incandescent	Base	Voltage (V)	Hour Rating	Beam Angle	Initial Lumens(lm)	CCT(K)	CRI	Enclosed Fixture	Wet Location	M.O.D. (inch)	M.O.L. (inch)	Case QTY.
1752104	VIV-PAR20/190/7W/27/WFL40/D	7	50W	E26	120	25,000	40°	500	2700	90	Y	Y	2.47	3.46	50
1752211	VIV-PAR20/190/7W/30/WFL40/D	7	50W	E26	120	25,000	40°	500	3000	90	Y	Y	2.47	3.46	50
1752409	VIV-PAR20/190/7W/40/WFL40/D	7	50W	E26	120	25,000	40°	500	4000	90	Y	Y	2.47	3.46	50
1752506	VIV-PAR20/190/7W/50/WFL40/D	7	50W	E26	120	25,000	40°	500	5000	90	Y	Y	2.47	3.46	50

Ordering Information Example: VIV-PAR20/190/7W/27/WFL40/D

LED CLASS	LAMP TYPE	CRI	WATTAGE	CCT (K)	BEAM ANGLE	DIMMABLE
VIV (Vivid)	PAR20	190 (CRI≥90)	7W	27 (2700K) 30 (3000K) 40 (4000K) 50 (5000k)	WFL40 (40°)	D (dimmable)



LED LAMP

PURE VISION



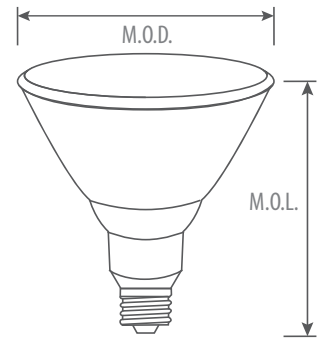
PV-PAR38, PV-PAR30, PV-PAR20



Features & Benefits

Energy Star listed ,unique halogen looking lens design	Black housing available
Beam angle 40° & 25°, with wide color temperature options*	25,000 hour average life
High CRI (80+), dimmable**	Enclosed fixture application
16W replaces 120W halogen, 13W replaces 90W halogen, 12W replaces 75W halogen, 7W replaces 50W halogen	Wet location approved

Dimensional drawing



Warranty & Cautions

3-year limited warranty
Operating temperature range between -40°C and +45°C
UL/cUL listed, FCC compliant, RoHS compliant

* PAR30LN, PAR20 5000K ES available. ** Check the dimmer compatibility list on our website www.turolight.com

Product Specification

Ordering Code	ES	Model Number	Watts	Base	Voltage (V)	Hour Rating	Beam Angle	Initial Lumens(lm)	CCT(K)	CRI	C.B.C.P. (cd)	EFA ¹	Wet LOC.	Damp LOC.	M.O.D. (inch)	M.O.L. (inch)	Case QTY.
PV-PAR38																	
1733100	Y	PV-PAR38/16W/27/WFL40/D/ES	16	E26	120	25,000	40°	1400	2700	80	2270	Y	Y	Y	4.8	5.31	20
1733200	Y	PV-PAR38/16W/30/WFL40/D/ES	16	E26	120	25,000	40°	1400	3000	80	2270	Y	Y	Y	4.8	5.31	20
1733300	Y	PV-PAR38/16W/35/WFL40/D/ES	16	E26	120	25,000	40°	1400	3500	80	2270	Y	Y	Y	4.8	5.31	20
1733400	Y	PV-PAR38/16W/40/WFL40/D/ES	16	E26	120	25,000	40°	1400	4000	80	2270	Y	Y	Y	4.8	5.31	20
1733500	Y	PV-PAR38/16W/50/WFL40/D/ES	16	E26	120	25,000	40°	1400	5000	80	2270	Y	Y	Y	4.8	5.31	20
1733201	Y	PV-PAR38/16W/30/FL25/D/ES	16	E26	120	25,000	25°	1400	3000	80	3563	Y	Y	Y	4.8	5.31	20
1733401	Y	PV-PAR38/16W/40/FL25/D/ES	16	E26	120	25,000	25°	1400	4000	80	3563	Y	Y	Y	4.8	5.31	20
1732105	Y	PV-PAR38/13W/27/WFL40/D/ES	13	E26	120	25,000	40°	910	2700	80	1533	Y	Y	Y	4.8	5.31	20
1732205	Y	PV-PAR38/13W/30/WFL40/D/ES	13	E26	120	25,000	40°	910	3000	80	1533	Y	Y	Y	4.8	5.31	20
1732304	Y	PV-PAR38/13W/35/WFL40/D/ES	13	E26	120	25,000	40°	910	3500	80	1533	Y	Y	Y	4.8	5.31	20
1732404	Y	PV-PAR38/13W/40/WFL40/D/ES	13	E26	120	25,000	40°	910	4000	80	1533	Y	Y	Y	4.8	5.31	20
1732505	Y	PV-PAR38/13W/50/WFL40/D/ES	13	E26	120	25,000	40°	910	5000	80	1533	Y	Y	Y	4.8	5.31	20

¹ Enclosed Fixture Application



PV-PAR38, PV-PAR30LN, PV-PAR20

Ordering Code	ES	Model Number	Watts	Base	Voltage (V)	Hour Rating	Beam Angle	Initial Lumens(lm)	CCT(K)	CRI	C.B.C.P. (cd)	EFA ¹	Wet LOC.	Damp LOC.	M.O.D. (inch)	M.O.L. (inch)	Case QTY.	
PV-PAR30																		
1732107	Y	PV-PAR30LN/12W/27/WFL40/D/ES	12	E26	120	25,000	40°	840	2700	80	1315	Y	Y	Y	3.74	4.84	20	
1732207	Y	PV-PAR30LN/12W/30/WFL40/D/ES	12	E26	120	25,000	40°	840	3000	80	1315	Y	Y	Y	3.74	4.84	20	
1732406	Y	PV-PAR30LN/12W/40/WFL40/D/ES	12	E26	120	25,000	40°	840	4000	80	1315	Y	Y	Y	3.74	4.84	20	
1732509	Y	PV-PAR30LN/12W/50/WFL40/D/ES	12	E26	120	25,000	40°	840	5000	80	1315	Y	Y	Y	3.74	4.84	20	
1762886	Y	PV-PAR30LN/12W/30/WFL40/D/ES/BK	12	E26	120	25,000	40°	840	3000	80	1315	Y	Y	Y	3.74	4.84	20	
1732206	Y	PV-PAR30LN/12W/30/FL25/D/ES	12	E26	120	25,000	25°	840	3000	80	2910	Y	Y	Y	3.74	4.84	20	
1732216	Y	PV-PAR30/12W/30/WFL40/D/ES	12	E26	120	25,000	40°	840	3000	80	1315	Y	Y	Y	3.74	3.5	20	
PV-PAR20																		
1732109	Y	PV-PAR20/7W/27/WFL40/D/ES	7	E26	120	25,000	40°	500	2700	80	593	Y	Y	Y	2.47	3.46	50	
1732209	Y	PV-PAR20/7W/30/WFL40/D/ES	7	E26	120	25,000	40°	500	3000	80	593	Y	Y	Y	2.47	3.46	50	
1732408	Y	PV-PAR20/7W/40/WFL40/D/ES	7	E26	120	25,000	40°	500	4000	80	593	Y	Y	Y	2.47	3.46	50	
1732511	Y	PV-PAR20/7W/50/WFL40/D/ES	7	E26	120	25,000	40°	500	5000	80	593	Y	Y	Y	2.47	3.46	50	
1762887	Y	PV-PAR20/7W/30/WFL40/D/ES/BK	7	E26	120	25,000	40°	500	3000	80	593	Y	Y	Y	2.47	3.46	50	

Ordering Information Example: PV-PAR38/16W/27/WFL40/D/ES

LED CLASS	LAMP TYPE	WATTAGE	CCT(K)	BEAM ANGLE	DIMMABLE	ENERGY STAR	Housing Colour
PV	PAR38	16W	50, 40	WFL40 (40°) FL25 (25°)	D	ES	BK (Black) Blank(White)
	PAR30	13W	35, 30				
	PAR30LN (Long Neck)	12W	27				
	PAR20	7W					



LED LAMP

VIVID Series



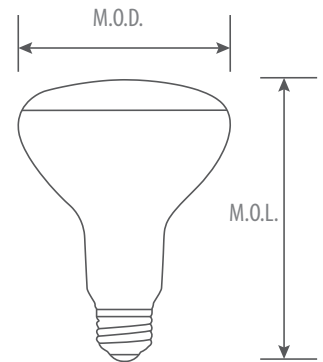
VIV-BR40, VIV-BR30, VIV-BR20



Features & Benefits

Energy Star listed	25,000 hour average life
High CRI (80+), dimmable	Enclosed fixture application*
13W replaces 75W incandescent 9W replaces 45W incandescent 8W replaces 35W incandescent	Damp location approved

Dimensional drawing



Warranty & Cautions

3-year limited warranty
Operating temperature range between -20°C and +40°C
UL/cUL listed, FCC compliant, RoHS compliant

* For applicable models, see product specification below

Product Specification

Ordering Code	ES	Model Number	Watts	Replacement Incandescent	Base	Voltage (V)	Hour Rating	Beam Angle	Initial Lumens(lm)	CCT(K)	CRI	Enclosed Fixture Application	Damp LOC.	M.O.D. (inch)	M.O.L. (inch)	Case QTY.
1752103	Y	VIV-BR30/9W/27/D	9	45W	E26	120	25,000	100°	650	2700	80	-	-	3.76	5.2	24
1752212	Y	VIV-BR30/9W/30/D	9	45W	E26	120	25,000	100°	650	3000	80	-	-	3.76	5.2	24
1752410	Y	VIV-BR30/9W/40/D	9	45W	E26	120	25,000	100°	650	4000	80	-	-	3.76	5.2	24
1752102	Y	VIV-BR40/13W/27/D	13	75W	E26	120	25,000	120°	1050	2700	80	-	Y	4.72	6.3	10
1762136	-	VIV-BR20/8W/27/D	8	35W	E26	120	25,000	120°	450	2700	80	Y	Y	2.48	3.7	20
1762813	-	VIV-BR20/8W/40/D	8	35W	E26	120	25,000	120°	450	4000	80	Y	Y	2.48	3.7	20

Ordering Information Example: VIV-BR20/9W/27/D

LED CLASS	LAMP TYPE	WATTAGE	CCT(K)	DIMMABLE
VIV (Vivid)	BR40 BR30 BR20	13W 9W 8W	27 (2700K) 30 (3000K) 40 (4000K)	D (dimmable) Blank (non dimmable)



LED LAMP

ARTISAN

LOW
non visible
FLICKER



A15, A19, B10



Features & Benefits

Reduced flicker down to 10%

- Compare to 6.6% traditional incandescent
- Far below California T20 standard 30%
- Significantly improve light quality
- Optimize eye comfort

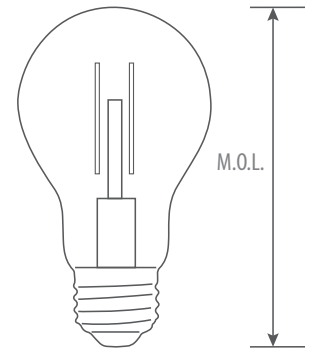
With clear, amber or milky white glass cover

Dimmable, High CRI (80+)

15,000 hour average life span

Rated for damp locations

Dimensional drawing



Warranty & Cautions

2-year limited warranty

Operating temperature range between -20°C and +40°C

Ordering Information

Example: AR-A19LF/8W/30/D/MW

LED CLASS	LAMP TYPE	WATTAGE	CCT(K)	BASE	DIMMABLE	COVER
AR (Artisan)	A15LF A19LF B10LF	4W 5W 8W	22 (2200K) 27 (2700K) 30 (3000K) 40 (4000K)	E12 (E12) Blank (E26)	D (dimmable)	C (Clear) A (Amber) MW (Milky White)

Product Specification

Ordering Code	Model Number	Product Description	Watts (W)	Replacement Filament	Replacement Incandescent	Base	Voltage (V)	Hour Rating	Beam Angle	Initial Lumens (lm)	CCT(K)	CRI	Damp LOC.	M.O.L. (inch)	Case QTY.
1771209	AR-A15LF/5W/30/D/C	A15 Low Flicker 5W 30K Dimmable Clear	5	-	40W	E26	120	15,000	330°	500	3000	80	Y	3.54	40
1771213	AR-A15LF/5W/30/D/MW	A15 Low Flicker 5W 30K Dimmable Milky white	5	-	40W	E26	120	15,000	330°	450	3000	80	Y	3.54	40
1771210	AR-A15LF/5W/30/D/F	A15 Low Flicker 5W 30K Dimmable Milky white	5	-	40W	E26	120	15,000	330°	450	3000	80	Y	3.54	40
1772110	AR-A19LF/8W/27/D/C	A19 Low Flicker 8W 27K Dimmable Clear	8	-	60W	E26	120	15,000	330°	800	2700	80	Y	4.29	40
1772202	AR-A19LF/8W/30/D/C	A19 Low Flicker 8W 30K Dimmable Clear	8	-	60W	E26	120	15,000	330°	800	3000	80	Y	4.29	40
1772205	AR-A19LF/8W/30/D/MW	A19 Low Flicker 8W 30K Dimmable Milky white	8	-	60W	E26	120	15,000	330°	750	3000	80	Y	4.29	40
1771141	AR-B10LF/4W/27/E12/D/C	B10 Low Flicker 4W 27K E12 Dimmable Clear	4	-	40W	E12	120	15,000	330°	300	2700	80	Y	3.78	50
1771203	AR-B10LF/4W/30/E12/D/C	B10 Low Flicker 4W 30K E12 Dimmable Clear	4	-	40W	E12	120	15,000	330°	300	3000	80	Y	3.78	50
1771211	AR-B10LF/4W/30/E12/D/MW	B10 Low Flicker 4W 30K E12 Dimmable Milky white	4	-	40W	E12	120	15,000	330°	280	3000	80	Y	3.78	50
1771403	AR-B10LF/4W/40/E12/D/C	B10 Low Flicker 4W 40K E12 Dimmable Clear	4	-	40W	E12	120	15,000	330°	300	4000	80	Y	3.78	50
1771925	AR-B10LF/4W/22/E12/D/A	B10 Low Flicker 4W 22K E12 Dimmable Amber	4	40W	-	E12	120	15,000	330°	250	2200	80	Y	3.78	50
1771142	AR-B10LF/4W/27/D/C	B10 Low Flicker 4W 27K E26 Dimmable Clear	4	-	40W	E26	120	15,000	330°	300	2700	80	Y	3.78	50



LONGER FILAMENT
BRIGHTER
BETTER-LOOKING

LED LAMP ARTISAN



AR-ST19LF/HO



Features & Benefits

- Replaces 60W traditional filament and incandescent
- Longer filament: Brighter and Better-looking
- 15,000 hour life (L70), 330° Beam angle, High CRI (80+)
- Damp location rated

- Clear/ Milky White cover
- Higher lumen output
- Dimmable

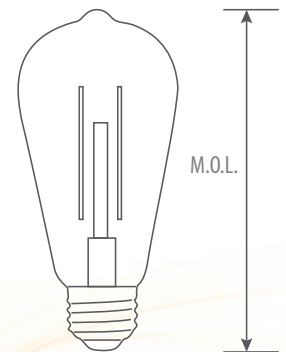
Warranty & Cautions

- 2-year limited warranty
- Operating temperature range between -20°C and +40°C

Applications

Suitable for the coffee shop, restaurant, library, and other applications

Dimensional drawing



Product Specification

Ordering Code	Model Number	Watts	Replacement Incandescent	Base	Voltage (V)	Hour Rating	Beam Angle	Initial Lumens(lm)	CCT(K)	CRI	Damp Location	M.O.D. (inch)	M.O.L. (inch)	Case QTY.
1771148	AR-ST19LF/5W/27/D/C/HO	5	60W	E26	120	15,000	330°	600	2700	80	Y	2.52	5.39	50
1771220	AR-ST19LF/5W/30/D/C/HO	5	60W	E26	120	15,000	330°	600	3000	80	Y	2.52	5.39	50
1771405	AR-ST19LF/5W/40/D/C/HO	5	60W	E26	120	15,000	330°	600	4000	80	Y	2.52	5.39	50
1771221	AR-ST19LF/5W/30/D/MW/HO	5	60W	E26	120	15,000	330°	550	3000	80	Y	2.52	5.39	50
1772909	AR-ST19LF/5W/22/D/A/HO	5	50W	E26	120	15,000	330°	500	2200	80	Y	2.52	5.39	50
1771214	AR-ST19LF/5W/30/D/MW	5	50W	E26	120	15,000	330°	450	3000	80	Y	2.52	5.39	50

Ordering Information Example: AR-ST19LF/5W/27/D/C/HO

LED CLASS	LAMP TYPE	WATTAGE	CCT(K)	DIMMABLE	COVER	Output
AR (Artisan)	ST19LF (Low Flicker)	5W	22 (2200K) 27 (2700K) 30 (3000K) 40 (4000K)	D (dimmable)	C (Clear) MW (Milky White) A (Amber)	HO (High Lumen Output)



LED LAMP ARTISAN



G16.5, G30, G40

LOW
non visible
FLICKER

Features & Benefits

Reduced flicker down to 10%

- Compare to 6.6% traditional incandescent
- Far below California T20 standard 30%
- Significantly improve light quality
- Optimize eye comfort

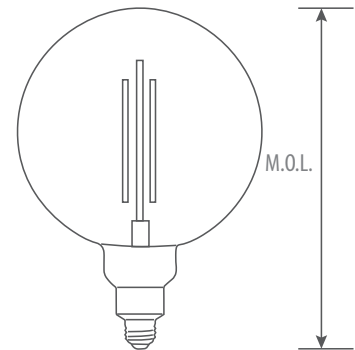
With clear, amber or milky white glass cover

Dimmable, High CRI (80+)

15,000 hour average life span

Rated for damp locations

Dimensional drawing



Warranty & Cautions

2-year limited warranty

Operating temperature range between -20°C and +40°C

Ordering Information

Example: AR-A19LF/8W/30/D/MW

LED CLASS	LAMP TYPE	WATTAGE	CCT(K)	BASE	DIMMABLE	COVER
AR (Artisan)	G16.5LF G30LF G40LF	4W 5W	22 (2200K) 27 (2700K) 30 (3000K)	E12 (E12) Blank (E26)	D (dimmable)	C (Clear) A (Amber) MW (Milky White)

Product Specification

Ordering Code	Model Number	Product Description	Watts (W)	Replacement Filament	Replacement Incandescent	Base	Voltage (V)	Hour Rating	Beam Angle	Initial Lumens (lm)	CCT(K)	CRI	Damp LOC.	M.O.L. (inch)	Case QTY.
1771146	AR-G16.5LF/4W/27/E12/D/C	G16.5 Low Flicker 4W 27K E12 Dimmable Clear	4	-	40W	E12	120	15,000	330°	350	2700	80	Y	3.31	50
1771208	AR-G16.5LF/4W/30/E12/D/C	G16.5 Low Flicker 4W 30K E12 Dimmable Clear	4	-	40W	E12	120	15,000	330°	350	3000	80	Y	3.31	50
1771212	AR-G16.5LF/4W/30/E12/D/MW	G16.5 Low Flicker 4W 30K E12 Dimmable Milky white	4	-	40W	E12	120	15,000	330°	300	3000	80	Y	3.31	50
1771109	AR-G16.5/4W/27/D/C	G16.5 4W 27K E26 Dimmable Clear	4	-	40W	E26	120	15,000	330°	350	2700	80	Y	3.31	50
1771147	AR-G30LF/5W/27/D/C	G30 Low Flicker 5W 27K Dimmable Clear	5	-	50W	E26	120	15,000	330°	500	2700	80	Y	5.28	40
1771215	AR-G30LF/5W/30/D/C	G30 Low Flicker 5W 30K Dimmable Clear	5	-	50W	E26	120	15,000	330°	500	3000	80	Y	5.28	40
1771216	AR-G30LF/5W/30/D/MW	G30 Low Flicker 5W 30K Dimmable Milky White	5	-	50W	E26	120	15,000	330°	450	3000	80	Y	5.28	40
1772113	AR-G30/6W/27/D/F	G30 6W 27K Dimmable Frost/Milky White	6	-	60W	E26	120	15,000	330°	600	2700	80	Y	5.28	40
1771217	AR-G40LF/4W/30/D/C	G40 Low Flicker 4W 30K Dimmable Clear	4	-	40W	E26	120	15,000	330°	350	3000	80	Y	6.77	8
1771218	AR-G40LF/4W/30/D/MW	G40 Low Flicker 4W 30K Dimmable Milky White	4	-	40W	E26	120	15,000	330°	320	3000	80	Y	6.77	8
1772910	AR-G40LF/5W/22/D/A	G40 Low Flicker 5W 22K Dimmable Amber	5	50W	-	E26	120	15,000	330°	500	2200	80	Y	6.77	8



LED LAMP ARTISAN



T10 Long



T10



T6

T14

T9



AR-T6LF, AR-T9LF, AR-T14LF, AR-T10

Features & Benefits

Reduced flicker down to 10%

- Compare to 6.6% traditional incandescent
- Far below California T20 standard 30%
- Significantly improve light quality
- Optimize eye comfort

* For applicable models, see product specification below

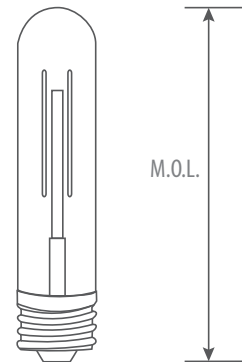
With clear, amber glass cover

Dimmable, High CRI (80+)

25,000 hour average life span*, Beam angle 330°*

Rated for damp locations

Dimensional drawing



Warranty & Cautions

15,000hrs: 2-year; 25,000hrs: 3-year limited warranty

Operating temperature range between -20°C and +40°C

Product Specification

Ordering Code	Model Number	Watts	Replacement Filament	Replacement Incandescent	Base	Voltage (V)	Hour Rating	Beam Angle°	Initial Lumens(lm)	CCT(K)	CRI	Damp Location	M.O.L. (inch)	Case QTY.
1771219	AR-T6LF/5W/30/E12/D/C	5	-	50W	E12	120	15,000	330	500	3000	80	Y	3.84	50
1771205	AR-T6LF/2.5W/30/E12/D/C	2.5	-	25W	E12	120	15,000	330	200	3000	80	Y	3.84	50
1771140	AR-T9LF/4W/27/D/C	4	-	40W	E26	120	15,000	330	350	2700	80	Y	5.71	50
1771206	AR-T9LF/4W/30/D/C	4	-	40W	E26	120	15,000	330	350	3000	80	Y	5.71	50
1771207	AR-T14LF/5W/30/D/C	5	-	60W	E26	120	15,000	330	500	3000	80	Y	4.17	50
1772204	AR-T10/8W/30/D/C/L**	8	-	-	E26	120	20,000	330	750	3000	80	Y	11.9	100
1771907	AR-T10/5W/22/D/A**	5	60W	-	E26	120	15,000	320	400	2200	80	Y	4.96	72

** AR-T10 are not the low flicker items

Ordering Information Example: AR-T6LF/5W/30/E12/D/C

LED CLASS	LAMP TYPE	WATTAGE	CCT(K)	BASE	DIMMABLE	COVER	OTHERS
AR (Artisan)	T6LF (T6 Low Flicker) T9LF (T9 Low Flicker) T14LF (T14 Low Flicker) T10	2.5W 4W 5W 8W	22 (2200K) 27 (2700K) 30 (3000K)	E12 (Base E12) Blank (Base E26)	D (dimmable)	C (Clear) A (Amber)	L (Long Size)



LED LAMP

ARTISAN-AESTHETIC



Dimmable



A19, B11, ST19, G25

Features & Benefits

- Each filament design expresses a unique decor experience
- Enhance aesthetics with bulb only
- 125lm/ 250lm replaces 13W/25W traditional filament bulb
- Warm and vintage color temperature (2000K)
- UL/cUL listed, FCC compliant, RoHS compliant

- Dimmable, High CRI (80+)
- 15,000 hour average life span
- Reduces energy consumption up to 70%
- Rated for damp locations and semi-enclosed fixtures

Applications

Perfect for decorative installations. Hospitality, Restaurants, Residential, Retail etc.

Product Specification

Ordering Code	Model Number	Product Description	Watts (W)	Replacement Filament	Base	Voltage (V)	Hour Rating	Beam Angle	Initial Lumens (lm)	CCT(K)	CRI	EFA*	Damp LOC.	M.O.L. (inch)	Case QTY.
1771923	AR-A19/S/4.5W/20/D/A	A19 Spiral 4.5W 20K Dimmable Amber	4.5	13W	E26	120	15,000	360	125	2000	80	semi-enclosed	Y	4.17	10/100
1771924	AR-B11/S/4.5W/20/E12/D/A	B11 Spiral 4.5W 20K E12 Dimmable Amber	4.5	13W	E12	120	15,000	360	125	2000	80	semi-enclosed	Y	3.82	10/100
1772905	AR-ST19/M/6.5W/20/D/A	ST19 M- Shape 6.5W Dimmable Amber	6.5	25W	E26	120	15,000	360	250	2000	80	semi-enclosed	Y	5.39	10/80
1772906	AR-G25/DS/6.5W/20/D/A	G25 Double Spiral 6.5W Dimmable Amber	6.5	25W	E26	120	15,000	360	250	2000	80	semi-enclosed	Y	4.69	10/80

* Enclosed Fixture Application

Warranty & Cautions

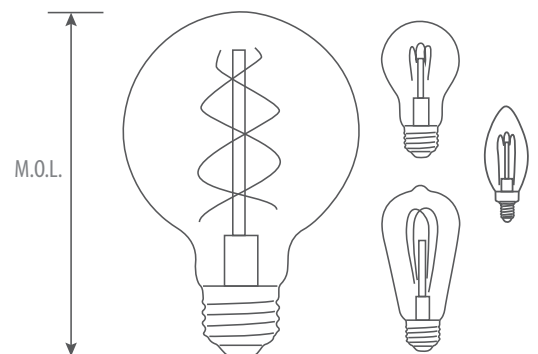
- 2-year limited warranty in commercial use from the date of purchase
- Operating temperature range between -20°C and +40°C

Ordering Information

Example: AR-A19/S/4.5W/20/D/A

LED CLASS	LAMP TYPE	LED Chip Shape	WATTAGE	CCT(K)	BASE	DIMMABLE	Glass Color
AR (Artisan)	A19	S (Spiral)	4.5W	20 (2000K)	E12(E12)	D (dimmable)	A (Amber)
	B11	S (Spiral)	4.5W		Blank (E26)		
	ST19	M (M Shape)	6.5W				
	G25	DS (Double Spiral)	6.5W				

Dimensional drawing





LED LAMP

ARTISAN

S14



Features & Benefits

- 75lm replaces 11W traditional filament bulb
- Warm color temperature (2700K & 2200K)
- UL/cUL listed, FCC compliant, RoHS compliant
- Omni light (Beam Angle 330°)

- High CRI (80+)
- 25,000 hour average life span
- Reduces energy consumption up to 90%
- Rated for wet locations

Applications

Perfect for decorative installations. Hospitality, Restaurants, Residential, Retail etc.

Product Specification

Ordering Code	Model Number	Product Description	Watts (W)	Replacement Filament	Base	Voltage (V)	Hour Rating	Beam Angle	Initial Lumens (lm)	CCT(K)	CRI	Wet LOC.	M.O.L. (inch)	Case QTY.
1771202	AR-S14/1W/27/C	S14 1W 2700K Clear	1	11W	E26	120	25,000	330°	75	2700	80	Y	3.26	10/100
1771926	AR-S14/1W/22/C	S14 1W 2200K Clear	1	11W	E26	120	25,000	330°	75	2200	80	Y	3.26	10/100

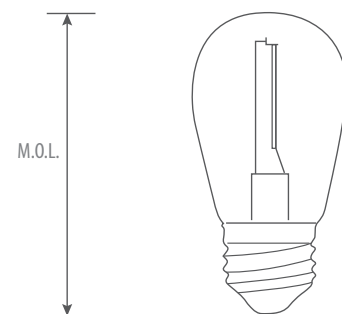
Warranty & Cautions

- 3-year limited warranty in commercial use from the date of purchase
- Operating temperature range between -20°C and +40°C

Ordering Information Example: AR-S14/1W/27/C

LED CLASS	LAMP TYPE	WATTAGE	CCT(K)	Glass Color
AR (Artisan)	S14	1W	27 (2700K) 22 (2200K)	C (Clear)

Dimensional drawing





TUROSMT Wi-Fi A19 LED



Features & Benefits



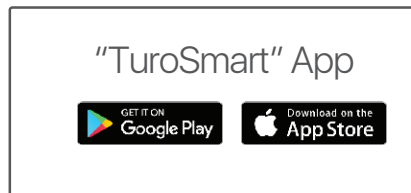
Color Changing



Tunable White



Light Dimmable

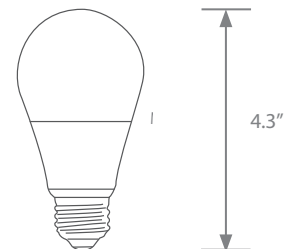


- Smart Control** Use TuroSmart app to control your light from anywhere you have internet access.
- Easy Dimming** No need to install a dimmer, our WiFi A19 LED easily dims to the desired light level.
- Tunable White** Independent from dimming, choose your white from 2700K to 5000K.
- Color Change** Tap on any light color from our full spectrum wheel to match your specific mood.
- Set a Schedule** Have your lights come on or off when you want.
- Use Your Voice** Activate using Amazon Alexa or Google Assistant.

2-year limited warranty

Temperature range between -40°C and +45°C

Dimensional drawing

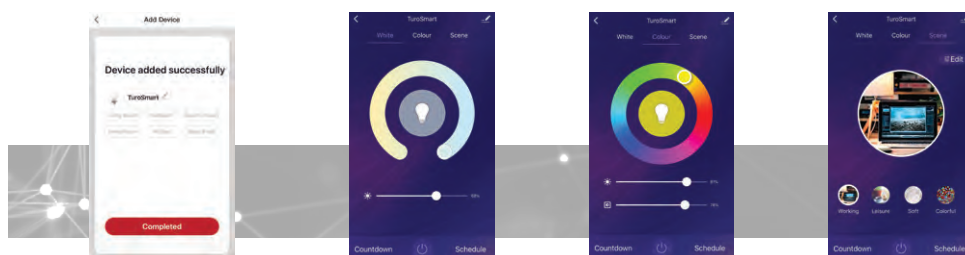


Product Specification

Model Number	Watts	Replacement Incandescent	Base	Voltage (V)	Hour Rating	Beam Angle	Initial Lumens(lm)	CCT(K)	CRI	Damp LOC.	M.O.L. (inch)
SV-A19/10W/WIFI/D	10	60W	E26	120	15,000	220°	800	2700-5000	80	Y	4.3

Using Guide

1. Download APP "TuroSmart" in "Apple Store" or "Google Play".
2. Install WiFi LED bulb in the fixture/ socket.
3. Switch on and off the bulb repeatedly until the bulb blinks, normally after 3 or 4 times. After the bulb blinks, it will enter the networking connection mode just in a few seconds.
4. Make your phone wifi connected, then open the APP "TuroSmart" and follow "Setup Guide" to set your smart lamp.



Wi-Fi Bulb Setup Guide



Bulb Setup Guide





LED FIXTURE

SSL Series

LED Stringer Light Set

SSL-STRINGER

24 Light, LED outdoor stringer light set



Features & Benefits

CUL listed, wet location approved

Decorative LED bulbs 2200K (warm light)

14.6m / 48 ft heavy-duty 16/3 cord with male & female molded connectors

Connect up to 45 sets 658m / 2160ft using 1W LED lamp only

Includes 24 bulbs plus 2 spares

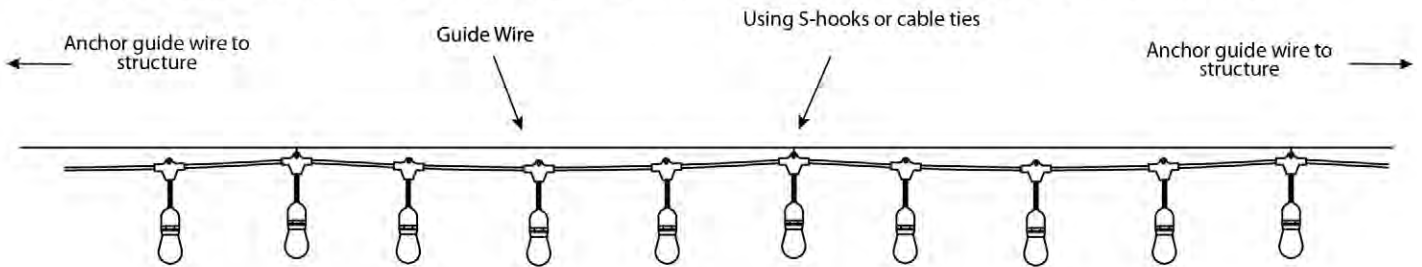
Shatter-resistant bulbs

Bulbs spaced 2ft on centre

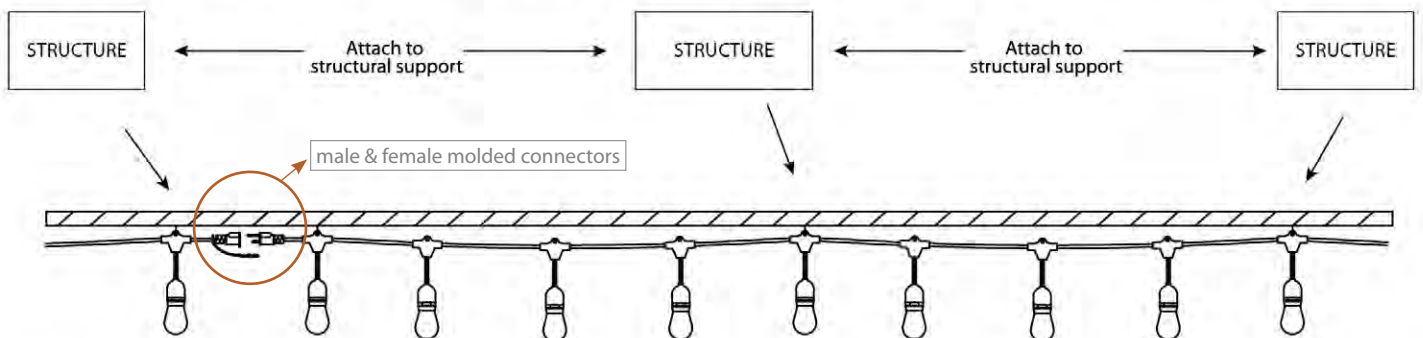
Energy saving 1 watt LED bulbs, 120V

Installation

1. If attaching to the guide wire, attach the ring at the back of the bulb holder to the guide wire using a S-hook or cable tie.



2. If a guide wire is not used, connect securely to structure at the beginning, middle and the end of EACH string light.



Ordering Information Example: SSL-STRINGER/48F/24W/22K/120V

Family Name	Fixture Type	Total Length	Wattage Per Set (Maximum)	CCT	Input Line Voltage
SSL (Solid State Lighting)	STRINGER (Stringer Light Set)	48F (48 feet)	24W	22K (2200K)	120V

Product Specification

Order Code	Model Number
3664118	SSL-STRINGER/48F/24W/22K/120V



COLOR CHANGING

LED FIXTURE

SSL Series

LED Stringer Light Set

SSL-STRINGER/RGBW

24 Light, LED color changing string lights

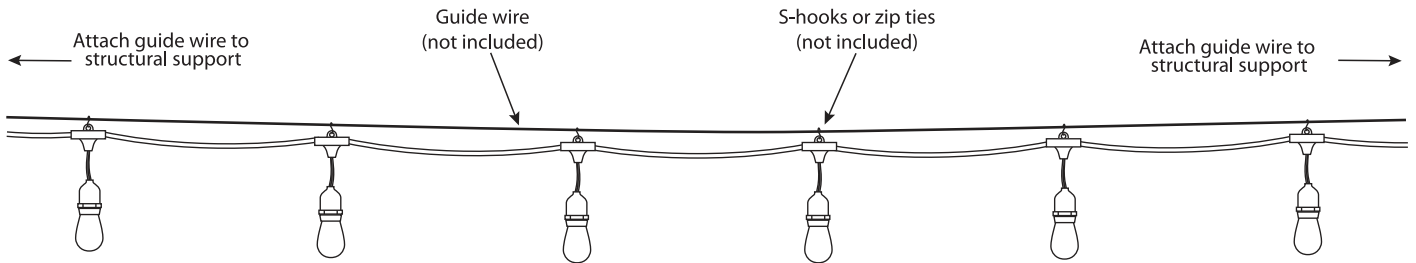


Features & Benefits

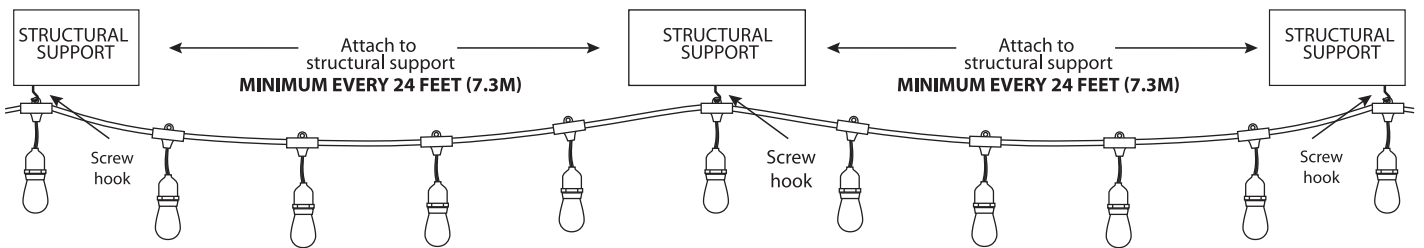
cUL listed, wet location approved	120V, Dimmable	RGB COLOR + WHITE
Decorative RGB & White (2200K) LED bulbs	Shatter-resistant bulbs, 0.2watt per bulb	
14.6m / 48 ft heavy-duty 5C 18AWG cord with male & female molded connectors	Bulbs spaced 2ft on centre	
Connect up to 3 sets 44m / 144ft	Remote control color changing	

Installation

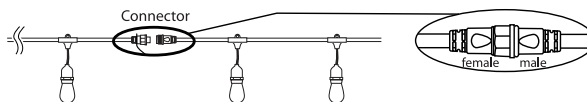
1. Using a guide wire with S-hooks or zip ties (not included)



2. Attached to a structure



Connect to String Light



Ordering Information Example: SSL-STRINGER/48F/4.8W/RGBW/D/120V

Family Name	Fixture Type	Total Length	Wattage Per Set	Color	Input Line Voltage
SSL (Solid State Lighting)	STRINGER (Stringer Light Set)	48F (48 feet)	4.8W (0.2W/bulb)	RGBW (Red, Green, Blue, White/2200K)	120V

Product Specification

Order Code	Model Number
3661100	SSL-STRINGER/48F/4.8W/RGBW/D/120V



LED LAMP

VIVID Series

DirectFit T5 Lamp



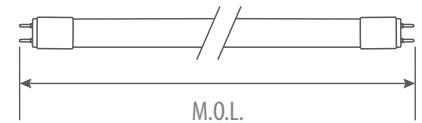
VIV-T5DFSP4



Features & Benefits

DLC approved ¹	Suitable for splash zones of food equipment
Direct Fit , Frost PET Film, ShatterProtect ²	50,000 hour life (L70)
NSF/ANSI 2 Certified ³	Fits into existing linear fixtures
Replaces T5 HO & T5 HE	Compatible with most program start ballast ⁴
180° Beam angle, High CRI (83+)	

Dimensional drawing



Warranty & Cautions

5-year limited warranty for DLC listed lamps / 3-year limited warranty for non-DLC*
 Bulb wall temperature range between -20°C and +45°C, Not recommended to use with ballast 5 years or older
 *Please check the "Turolight LED Limited Warranty" for details

¹For applicable models, see product specification below
²ShatterProtect utilizes PET film to reduce the unexpected risk of shattering
³Need to work with NSF certified lighting fixtures
⁴Contact your sales person or check www.turolight.com for ballast compatibility list

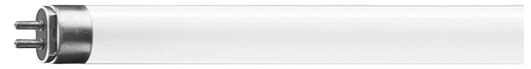
Product Specification

Ordering Code	DLC	Model Number	Description	Wattage		Base	Voltage (V)	Hour Rating	Beam Angle	Initial Lumen (lm)	CCT(K)	CRI	M.O.L. (inch)	Case QTY.
				Lamp Power (W)	System Power (W)									
Replace T5 HO														
1762351	-	VIV-T5DFSP4/9W/35/F (2FT HO)	Direct Fit 2ft 9W G5 35K Frost PET Film	9	12	G5	120-277, 347	50,000	180	1000	3500	83	22	8
1762848	-	VIV-T5DFSP4/9W/40/F (2FT HO)	Direct Fit 2ft 9W G5 40K Frost PET Film	9	12	G5	120-277, 347	50,000	180	1000	4000	83	22	8
1762529	-	VIV-T5DFSP4/9W/50/F (2FT HO)	Direct Fit 2ft 9W G5 50K Frost PET Film	9	12	G5	120-277, 347	50,000	180	1000	5000	83	22	8
1763314	-	VIV-T5DFSP4/18W/35/F (3FT HO)	Direct Fit 3ft 18W G5 35K Frost PET Film	18	21	G5	120-277, 347	50,000	180	1700	3500	83	34	8
1763434	-	VIV-T5DFSP4/18W/40/F (3FT HO)	Direct Fit 3ft 18W G5 40K Frost PET Film	18	21	G5	120-277, 347	50,000	180	1700	4000	83	34	8
1763513	-	VIV-T5DFSP4/18W/50/F (3FT HO)	Direct Fit 3ft 18W G5 50K Frost PET Film	18	21	G5	120-277, 347	50,000	180	1700	5000	83	34	8
1754203	Y	VIV-T5DFSP4/22.5W/30/F (4FT HO)	Direct Fit 4ft 22.5W G5 30K Frost DLC4.0	22.5	25.5	G5	120-277, 347	50,000	180	3200	3000	83	46	25
1754303	Y	VIV-T5DFSP4/22.5W/35/F (4FT HO)	Direct Fit 4ft 22.5W G5 35K Frost DLC4.0	22.5	25.5	G5	120-277, 347	50,000	180	3300	3500	83	46	25
1754404	Y	VIV-T5DFSP4/22.5W/40/F (4FT HO)	Direct Fit 4ft 22.5W G5 40K Frost DLC4.0	22.5	25.5	G5	120-277, 347	50,000	180	3200	4000	83	46	25
1754502	Y	VIV-T5DFSP4/22.5W/50/F (4FT HO)	Direct Fit 4ft 22.5W G5 50K Frost DLC4.0	22.5	25.5	G5	120-277, 347	50,000	180	3300	5000	83	46	25
Replace T5 HE														
1762352	-	VIV-T5DFSP4/6W/35/F	Direct Fit 2ft 6W G5 35K Frost PET Film	6	9	G5	120-277, 347	50,000	180	900	3500	83	22	8
1762849	-	VIV-T5DFSP4/6W/40/F	Direct Fit 2ft 6W G5 40K Frost PET Film	6	9	G5	120-277, 347	50,000	180	950	4000	83	22	8
1762530	-	VIV-T5DFSP4/6W/50/F	Direct Fit 2ft 6W G5 50K Frost PET Film	6	9	G5	120-277, 347	50,000	180	1000	5000	83	22	8
1762353	-	VIV-T5DFSP4/9W/35/F/3FT	Direct Fit 3ft 9W G5 35K Frost PET Film	9	12	G5	120-277, 347	50,000	180	1050	3500	83	34	8
1762850	-	VIV-T5DFSP4/9W/40/F/3FT	Direct Fit 3ft 9W G5 40K Frost PET Film	9	12	G5	120-277, 347	50,000	180	1200	4000	83	34	8
1762531	-	VIV-T5DFSP4/9W/50/F/3FT	Direct Fit 3ft 9W G5 50K Frost PET Film	9	12	G5	120-277, 347	50,000	180	1300	5000	83	34	8
1762793	Y	VIV-T5DFSP4/13W/30/F	Direct Fit 4ft 13W G5 30K Frost PET Film	13	16	G5	120-277, 347	50,000	180	1900	3000	83	46	25
1762354	Y	VIV-T5DFSP4/13W/35/F	Direct Fit 4ft 13W G5 35K Frost PET Film	13	16	G5	120-277, 347	50,000	180	1950	3500	83	46	25
1762851	Y	VIV-T5DFSP4/13W/40/F	Direct Fit 4ft 13W G5 40K Frost PET Film	13	16	G5	120-277, 347	50,000	180	2000	4000	83	46	25
1762532	Y	VIV-T5DFSP4/13W/50/F	Direct Fit 4ft 13W G5 50K Frost PET Film	13	16	G5	120-277, 347	50,000	180	2000	5000	83	46	25



LED LAMP

VIVID Series



VIV-T5DF4



Features & Benefits

DLC approved	NSF/ANSI 2 Certified ¹
All glass construction , aluminium end caps	Suitable for splash zones of food equipment
50,000 hour life (L70)	Fits into existing linear fixtures
220° Beam angle, High CRI (83+)	Compatible with most program start ballast ²
Replaces T5 HO & T5 HE	¹ Need to work with NSF certified lighting fixtures ² Contact your sales person or check www.turolight.com for ballast compatibility list

Dimensional drawing



Warranty & Cautions

- 5-year limited warranty for DLC listed lamps
- Bulb wall temperature range between -20°C and +45°C
- Not recommended to use with ballast 5 years or older

Product Specification

Ordering Code	DLC	Model Number	Description	Wattage		Base	Voltage (V)	Hour Rating	Beam Angle	Initial Lumen (lm)	CCT(K)	CRI	M.O.L. (inch)	Case QTY.
				Lamp Power (W)	System Power (W)									
1764212	Y	VIV-T5DF4/25W/30/F	T5 Direct Fit 4ft 25W G5 30K Frost	25	28	G5	120-277, 347	50,000	220	3400	3000	83	46	25
1764307	Y	VIV-T5DF4/25W/35/F	T5 Direct Fit 4ft 25W G5 35K Frost	25	28	G5	120-277, 347	50,000	220	3500	3500	83	46	25
1764410	Y	VIV-T5DF4/25W/40/F	T5 Direct Fit 4ft 25W G5 40K Frost	25	28	G5	120-277, 347	50,000	220	3600	4000	83	46	25
1764509	Y	VIV-T5DF4/25W/50/F	T5 Direct Fit 4ft 25W G5 50K Frost	25	28	G5	120-277, 347	50,000	220	3600	5000	83	46	25
1762022	-	VIV-T5DF4/13W/30/F	T5 Direct Fit 4ft 13W G5 30K Frost	13	16	G5	120-277, 347	50,000	220	1800	3000	83	46	25
1762366	-	VIV-T5DF4/13W/35/F	T5 Direct Fit 4ft 13W G5 35K Frost	13	16	G5	120-277, 347	50,000	220	1800	3500	83	46	25
1762888	-	VIV-T5DF4/13W/40/F	T5 Direct Fit 4ft 13W G5 40K Frost	13	16	G5	120-277, 347	50,000	220	1850	4000	83	46	25
1762552	Y	VIV-T5DF4/13W/50/F	T5 Direct Fit 4ft 13W G5 50K Frost	13	16	G5	120-277, 347	50,000	220	1900	5000	83	46	25

Ordering Information Example: VIV-T5DF4/25W/30/F

LED CLASS	LAMP TYPE	DIRECT FIT	WATTAGE	CCT(K)	FROST
VIV (Vivid)	T5	DF4 (Direct Fit, 4 th version)	13W 25W	30 (3000K) 35 (3500K) 40 (4000K) 50 (5000K)	F (Frost)



LED LAMP

VIVID Series

Bypass T5 Lamp



VIV-T5BPSP4



Features & Benefits

DLC approved, Frost PET Film, Shatter Protect ¹	120-277V & 347V*, 50000 hour life (L70)
External ballast not required	NSF/ANSI 2 certified**
Double-ended installation	Suitable for splash zones of food equipment
Surge protection	Our safety features allow for installation as well as misapplication protection ²
Replaces T5 HO & T5 HE	
180° Beam angle, High CRI (83+)	¹ ShatterProtect utilizes PET film to reduce the unexpected risk of shattering
5-year limited warranty for DLC listed lamps	*For applicable models, see product specification below
Operating temperature range between -20°C and +45°C	**Need to work with NSF certified lighting fixtures
	² Contact your local Turolight representative for detail

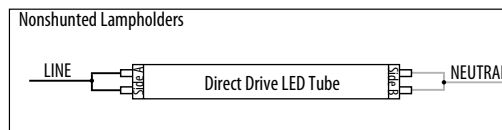
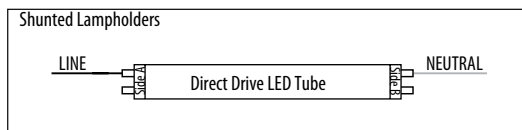
Dimensional drawing



Product Specification

Ordering Code	DLC	Model Number	Wattage (W)	Voltage (V)	Base	Hour Rating	Beam Angle	Initial Lumen (lm)	CCT(K)	CRI	M.O.L. (inch)	Case QTY.
Replace T5 HO												
1752311	-	VIV-T5BPSP4/12W/35/F (2FT HO)	12	120-277	G5	50,000	180	1450	3500	83	22	8
1752423	-	VIV-T5BPSP4/12W/40/F (2FT HO)	12	120-277	G5	50,000	180	1450	4000	83	22	8
1753300	-	VIV-T5BPSP4/16W/35/F (3FT HO)	16	120-277	G5	50,000	180	1850	3500	83	34	8
1753401	-	VIV-T5BPSP4/16W/40/F (3FT HO)	16	120-277	G5	50,000	180	1850	4000	83	34	8
1754200	Y	VIV-T5BPSP4/25W/30/F (4FT HO)	25	120-277	G5	50,000	180	3200	3000	83	46	25
1754300	Y	VIV-T5BPSP4/25W/35/F (4FT HO)	25	120-277	G5	50,000	180	3200	3500	83	46	25
1754402	Y	VIV-T5BPSP4/25W/40/F (4FT HO)	25	120-277	G5	50,000	180	3300	4000	83	46	25
1754500	Y	VIV-T5BPSP4/25W/50/F (4FT HO)	25	120-277	G5	50,000	180	3400	5000	83	46	25
1754201	Y	VIV-T5BPSP4/25W/30/F/347V (4FT HO)	25	347	G5	50,000	180	3200	3000	83	46	25
1754301	Y	VIV-T5BPSP4/25W/35/F/347V (4FT HO)	25	347	G5	50,000	180	3200	3500	83	46	25
1754403	Y	VIV-T5BPSP4/25W/40/F/347V (4FT HO)	25	347	G5	50,000	180	3300	4000	83	46	25
1754501	Y	VIV-T5BPSP4/25W/50/F/347V (4FT HO)	25	347	G5	50,000	180	3400	5000	83	46	25
Replace T5 HE												
1752305	Y	VIV-T5BPSP4/13W/35/F (4FT HE)	13	120-277	G5	50,000	180	1600	3500	83	46	25
1752413	Y	VIV-T5BPSP4/13W/40/F (4FT HE)	13	120-277	G5	50,000	180	1650	4000	83	46	25

Double-ended Wiring





T8DFSP/N
High-transmittance nano-plastic, Shatterproof
No bending under high temperature



T8DFSP4
Plastic end caps, glass tube with PET cover, PET film
ShatterProtect⁴



Single Pin base, 8 ft length, PET film, ShatterProtect⁴



T8DF4/ T8DF2
All glass construction , aluminium end caps (Linear)
Plastic body and end caps (U-Bend)



LED LAMP

VIVID Series

DirectFit T8 Lamp

VIV-T8DFSP/N, VIV-T8DFSP4
VIV-T8DF4, VIV-T8DF2

Features & Benefits

DLC approved, 50,000 hour life (L70), High CRI (83+)

NSF/ANSI 2 Certified¹ (T8DFSP4)
ETL Sanitation Certified² (T8DFSP/N)

Beam angle
220° (T8DF4, T8DF2), 180° (T8DFSP4), 160° (T8DFSP/N)

Direct replacement for T8 linear fluorescent

Fits into existing linear fixtures

Compatible with most Instant Start Ballast³ with input voltage of 120-277V and 347V

¹Need to work with NSF certified lighting fixtures

²Need to work with ETL Sanitation certified lighting fixtures

³For detail, you may contact your sales person or check www.turolight.com for ballast compatibility list

⁴ShatterProtect utilizes PET film to reduce the unexpected risk of shattering

Warranty & Cautions

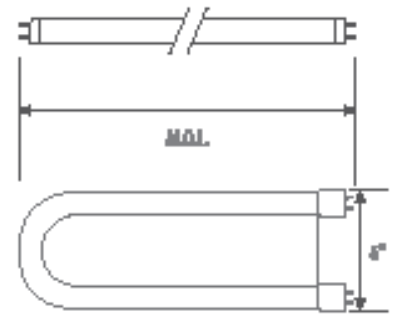
5-year limited warranty for DLC listed lamps / 3-year limited warranty for non-DLC*

Bulb wall temperature range between -20°C and +45°C

Not recommended to use with ballast 5 years or older

*Please check the "Turolight LED Limited Warranty" for details

Dimensional drawing



Product Specification

Ordering Code	DLC	Model Number	Nominal Lamp Power (Watts)	System Power (Watts)			Initial Lumen (lm)			Base	Voltage (V)	Hour Rating	Beam Angle	CCT(K)	CRI	M.O.L. (inch)	Case QTY.
				Low BF (0.78)	Normal BF (0.88)	High BF (1.16)	Low BF (0.78)	Normal BF (0.88)	High BF (1.16)								
T8DFSP/N (NANO)																	
1762023	-	VIV-T8DFSP/N/15W/30/F	15	15	18	24	1700	2100	2800	G13	120-277, 347	50,000	160	3000	83	48	25
1762367	-	VIV-T8DFSP/N/15W/35/F	15	15	18	24	1700	2100	2800	G13	120-277, 347	50,000	160	3500	83	48	25
1762884	Y	VIV-T8DFSP/N/15W/40/F	15	15	18	24	1800	2200	2900	G13	120-277, 347	50,000	160	4000	83	48	25
1762555	Y	VIV-T8DFSP/N/15W/50/F	15	15	18	24	1800	2200	2900	G13	120-277, 347	50,000	160	5000	83	48	25
T8DFSP4																	
-	-	VIV-T8DFSP4/9W/30/F	9	9	12	17	950	1350	2050	G13	120-277, 347	50,000	180	3000	83	24	8
-	-	VIV-T8DFSP4/9W/35/F	9	9	12	17	1000	1400	2100	G13	120-277, 347	50,000	180	3500	83	24	8
1762867	Y	VIV-T8DFSP4/9W/40/F	9	9	12	17	1075	1475	2175	G13	120-277, 347	50,000	180	4000	83	24	8
1762543	Y	VIV-T8DFSP4/9W/50/F	9	9	12	17	1100	1500	2200	G13	120-277, 347	50,000	180	5000	83	24	8
1762735	Y	VIV-T8DFSP4/13W/30/F	13	13	16	22	1500	1900	2600	G13	120-277, 347	50,000	180	3000	83	48	25
1762339	Y	VIV-T8DFSP4/13W/35/F	13	13	16	22	1550	1950	2650	G13	120-277, 347	50,000	180	3500	83	48	25
1762822	Y	VIV-T8DFSP4/13W/40/F	13	13	16	22	1600	2000	2700	G13	120-277, 347	50,000	180	4000	83	48	25
1762524	Y	VIV-T8DFSP4/13W/50/F	13	13	16	22	1600	2000	2700	G13	120-277, 347	50,000	180	5000	83	48	25
1762736	Y	VIV-T8DFSP4/15W/30/F	15	15	18	28	1700	2100	2800	G13	120-277, 347	50,000	180	3000	83	48	25
1762340	Y	VIV-T8DFSP4/15W/35/F	15	15	18	28	1700	2100	2800	G13	120-277, 347	50,000	180	3500	83	48	25
1762823	Y	VIV-T8DFSP4/15W/40/F	15	15	18	28	1800	2200	2900	G13	120-277, 347	50,000	180	4000	83	48	25
1762525	Y	VIV-T8DFSP4/15W/50/F	15	15	18	28	1800	2200	2900	G13	120-277, 347	50,000	180	5000	83	48	25



VIV-T8DFSP/N , VIV-T8DFSP4, VIV-T8DF4, VIV-T8DF2

Ordering Code	DLC	Model Number	Nominal Lamp Power (Watts)	System Power (Watts)			Initial Lumen (lm)			Base	Voltage (V)	Hour Rating	Beam Angle	CCT(K)	CRI	M.O.L. (inch)	Case QTY.
				Low BF (0.78)	Normal BF (0.88)	High BF (1.16)	Low BF (0.78)	Normal BF (0.88)	High BF (1.16)								
1763439	-	VIV-T8DFSP4/20W/40/F/5FT	20	20	23	30	1800	2200	2900	G13	120-277, 347	50,000	180	4000	83	60	8
1763517	-	VIV-T8DFSP4/20W/50/F/5FT	20	20	23	30	1900	2300	3000	G13	120-277, 347	50,000	180	5000	83	60	8
T8DF4/ T8DF2 Linear																	
1762024	Y	VIV-T8DF4/11W/30/F/3FT	11	11	14	20	1200	1600	2300	G13	120-277, 347	50,000	220	3000	83	36	8
1762368	-	VIV-T8DF4/11W/35/F/3FT	11	11	14	20	1200	1600	2300	G13	120-277, 347	50,000	220	3500	83	36	8
1762889	-	VIV-T8DF4/11W/40/F/3FT	11	11	14	20	1250	1650	2350	G13	120-277, 347	50,000	220	4000	83	36	8
1762554	Y	VIV-T8DF4/11W/50/F/3FT	11	11	14	20	1250	1650	2350	G13	120-277, 347	50,000	220	5000	83	36	8
1752408	Y	VIV-T8DF4/11.5W/40/F	11.5	11.5	14.5	20.5	1400	1800	2500	G13	120-277, 347	50,000	220	4000	83	48	25
1752505	Y	VIV-T8DF4/11.5W/50/F	11.5	11.5	14.5	20.5	1430	1830	2530	G13	120-277, 347	50,000	220	5000	83	48	25
1762025	Y	VIV-T8DF2/13W/30/F	13	13	16	22	1500	1900	2600	G13	120-277, 347	50,000	220	3000	83	48	25
1762369	Y	VIV-T8DF2/13W/35/F	13	13	16	22	1550	1950	2650	G13	120-277, 347	50,000	220	3500	83	48	25
1762876	Y	VIV-T8DF2/13W/40/F	13	13	16	22	1600	2000	2700	G13	120-277, 347	50,000	220	4000	83	48	25
1762545	Y	VIV-T8DF2/13W/50/F	13	13	16	22	1600	2000	2700	G13	120-277, 347	50,000	220	5000	83	48	25
T8DFSP4 Single Pin, 8ft																	
1764213	Y	VIV-T8DFSP4/24W/30/F	24	24	27	30	2900	3300	4000	Single Pin	120-277, 347	50,000	180	3000	83	96	8
1764308	Y	VIV-T8DFSP4/24W/35/F	24	24	27	30	3000	3400	4100	Single Pin	120-277, 347	50,000	180	3500	83	96	8
1764413	Y	VIV-T8DFSP4/24W/40/F	24	24	27	30	3100	3500	4200	Single Pin	120-277, 347	50,000	180	4000	83	96	8
1764512	Y	VIV-T8DFSP4/24W/50/F	24	24	27	30	3100	3500	4200	Single Pin	120-277, 347	50,000	180	5000	83	96	8
T8DF4/ T8DF2 Linear																	
1762783	Y	VIV-T8DF4/U/13W/30/F	13	13	16	22	1400	1800	2500	G13	120-277, 347	50,000	220	3000	83	24	24
1762363	Y	VIV-T8DF4/U/13W/35/F	13	13	16	22	1400	1800	2500	G13	120-277, 347	50,000	220	3500	83	24	24
1762865	-	VIV-T8DF4/U/13W/40/F	13	13	16	22	1450	1850	2550	G13	120-277, 347	50,000	220	4000	83	24	24
1762540	Y	VIV-T8DF4/U/13W/50/F	13	13	16	22	1500	1900	2600	G13	120-277, 347	50,000	220	5000	83	24	24

T8DF4
Plastic body and end caps (U-Bend)



Ordering Information Example: VIV-T8DFSP4/20W/35/F/5FT

LED CLASS	LAMP TYPE	WATTAGE	CCT(K)	FROST	OTHER
VIV (Vivid)	T8DFSP/N (Direct Fit, Shatterproof, Nano) T8DFSP4 (Direct Fit, PET film) T8DF4 (Direct Fit) T8DF2 (Direct Fit)	15W 20W,15W,13W, 9W 13W,11.5W,11W 13W	50 (5000K) 40 (4000K) 35 (3500K) 30 (3000K)	F (Frost)	U (U-Bend)



LED LAMP

VIVID Series



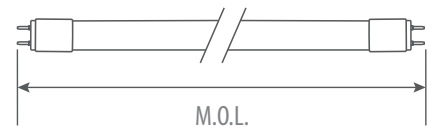
VIV-T8DFSP4 (Metric)



Features & Benefits

High lumen efficiency	NSF/ANSI 2 Certified ¹
Metric size 46"	Suitable for splash zones of food equipment
Plastic end caps, glass tube with PET cover	Fits into existing linear fixtures
50,000 hour life (L70), 180° Beam angle, High CRI (83+)	Compatible with most Instant Start Ballast ² with input voltage of 120-277V and 347V
Direct replacement for T8 linear fluorescent	

Dimensional drawing



Warranty & Cautions

5-year limited warranty for DLC listed lamps*

Bulb wall temperature range between -20°C and +45°C

Not recommended to use with ballast 5 years or older

*Please check the "Turolight LED Limited Warranty" for details
 FCC Note: This device complies with Part 18 of the FCC Rules.

¹Need to work with NSF certified lighting fixtures
² For detail, you may contact your sales person or check www.turolight.com for ballast compatibility list

Product Specification

Ordering Code	Model Number	Nominal Lamp Power (Watts)	System Power (Watts)			Initial Lumen (lm)			Base	Voltage (V)	Hour Rating	Beam Angle	CCT(K)	CRI	M.O.L. (inch)	Case QTY.
			Low BF (0.78)	Normal BF (0.88)	High BF (1.16)	Low BF (0.78)	Normal BF (0.88)	High BF (1.16)								
1752407	VIV-T8DFSP4/15W/40/F/M (46")	15	15	18	24	1500	1900	2600	G13	120-277, 347	50,000	180	4000	83	46	25
1752503	VIV-T8DFSP4/15W/50/F/M (46")	15	15	18	24	1600	2000	2700	G13	120-277, 347	50,000	180	5000	83	46	25

Ordering Information Example: VIV-T8DFSP4/15W/40/F/M

LED CLASS	LAMP TYPE	DIRECT FIT	WATTAGE	CCT(K)	FROST	SIZE
VIV (Vivid)	T8	DFSP4 (Direct Fit, Shatterproof)	15W	40 (4000K) 50 (5000K)	F (Frost)	M (Metric Size, 46")



Hybrid (Electronic Ballast Compatible / Ballast Bypass)

Hybrid LED tubes are able to work with any existing lighting technology, whether it has an electronic ballast or ballast bypass.

LED LAMP
VIVID Series



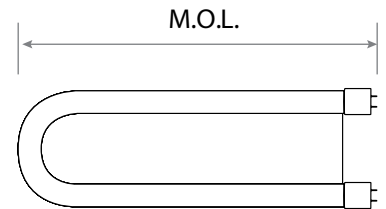
VIV-T8HY/U1, VIV-T8HY/U6

Features & Benefits

DLC approved, replaces fluorescent U1/ U6 lamps	50,000 hour life, 180° Beam angle, High CRI (83+)
One solution for both Direct Fit and Bypass options	PC tube safe for splash zones of food equipment
Direct Fit, compatible with most Instant Start Ballast & Rapid Start Ballast ¹	IP20, suitable for damp location
Bypass, works for both single and double ended wiring options	Fits into existing linear fixtures, no socket changes.

¹ For detail, you may contact your sales person or check www.turolight.com for ballast compatibility list

Dimensional drawing



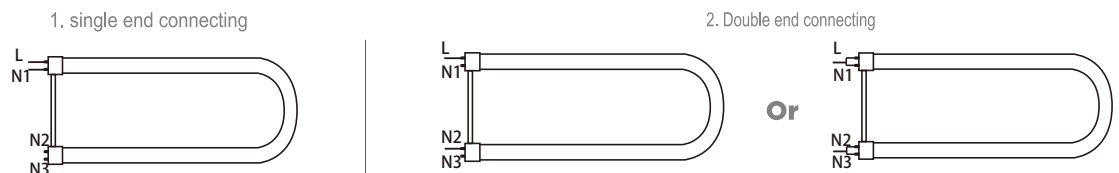
Warranty & Cautions

5-year limited warranty for DLC listed lamps
Bulb wall temperature range between -20°C and +45°C

Product Specification

Ordering Code	DLC	Model Number	Description	Lamp Power (Bypass W)	System Power (Ballast W)	Initial Lumen (lm)	Base	Voltage (V)	Hour Rating	Beam Angle	CCT(K)	CRI	M.O.L. (inch)	Case QTY.
1752416	Y	VIV-T8HY/U6/13W/30/F	LED T8 U6 Hybrid 13W 3000K 50000hrs G13 DLC	13	16	1900	G13	120-277	50,000	180	3000	83	24	24
1752310	-	VIV-T8HY/U6/13W/35/F	LED T8 U6 Hybrid 13W 3500K 50000hrs G13 DLC	13	16	2000	G13	120-277	50,000	180	3500	83	24	24
1752416	Y	VIV-T8HY/U6/13W/40/F	LED T8 U6 Hybrid 13W 4000K 50000hrs G13 DLC	13	16	1900	G13	120-277	50,000	180	4000	83	24	24
1752511	Y	VIV-T8HY/U6/13W/50/F	LED T8 U6 Hybrid 13W 5000K 50000hrs G13 DLC	13	16	2000	G13	120-277	50,000	180	5000	83	24	24
1752213	-	VIV-T8HY/U1/13W/30/F	LED T8 U1 Hybrid 13W 3000K 50000hrs G13 DLC	13	16	1800	G13	120-277	50,000	180	3000	83	22.4	24
1752302	Y	VIV-T8HY/U1/13W/35/F	LED T8 U1 Hybrid 13W 3500K 50000hrs G13 DLC	13	16	1800	G13	120-277	50,000	180	3500	83	22.4	24
1752411	Y	VIV-T8HY/U1/13W/40/F	LED T8 U1 Hybrid 13W 4000K 50000hrs G13 DLC	13	16	1900	G13	120-277	50,000	180	4000	83	22.4	24
1752507	Y	VIV-T8HY4/U1/13W/50/F	LED T8 U1 Hybrid 13W 5000K 50000hrs G13 DLC	13	16	2000	G13	120-277	50,000	180	5000	83	22.4	24

Bypass Wiring Diagram



Ordering Information Example: VIV-T8HY/U1/13W/30/F

LED CLASS	LAMP TYPE	HYBRID	SHAPE	WATTAGE	CCT(K)	FROST
VIV (Vivid)	T8	HY (Hybrid)	U1 (U1 U-bend) U6 (U6 U-bend)	13W	30 (3000K) 35 (3500K) 40 (4000K) 50 (5000K)	F (Frost)



Turolight Flicker-free LED tubes provide perfect light that does not cause headaches or eyestrains, it improves your concentration and productivity for your maximum performance.

VIV-T8BPSP4/FF



Features & Benefits

- Percent flicker is significantly decreased to only 5%*
- DLC approved, PET film, ShatterProtect¹
- Ballast Bypass (no ballast required)
- 50,000 hour life (L70), 180° Beam angle, High CRI (82+)
- Both Double-ended and Single-ended applicable installation

¹ShatterProtect utilizes PET film to reduce the unexpected risk of shattering
²Need to work with NSF certified lighting fixtures

- 48" length
- NSF/ANSI 2 Certified²
- Suitable for splash zones of food equipment
- Use existing lamp holders (non-shunted or shunted)
- Our safety features allow for installation as well as misapplication protection³

³Contact your local Turolight representative for detail

Dimensional drawing



Warranty & Cautions

- 5-year limited warranty
- Bulb wall temperature range between -20°C and +45°C

Applications

Suitable for offices, classrooms, and other commercial and educational applications

Product Specification

Ordering Code	DLC	Model Number	Description	Watts (W)	Voltage (V)	Initial Lumen (lm)	Base	Hour Rating	Beam Angle	CCT(K)	CRI	M.O.L. (inch)	Case QTY.
1752404	Y	VIV-T8BPSP4/FF/10.5W/40/F/DE	Flicker-free, Bypass 4ft 10.5W G13 40K Frost PET film	10.5	120-277	1700	G13	50,000	180	4000	82	48	25

Other CCT is also available to be ordered

*Flicker exists in most light sources, but with varying levels. For LED Type B tubes, it all comes down to the driver. Our unique driver design ensures the minimal level of flicker, so that provides high-quality light for maximum eye comfort and performance.

Ordering Information Example: VIV-T8BPSP4/FF/10.5W/40/F/DE

LED CLASS	LAMP TYPE	BYPASS, SHATTERPROOF	FLICKER	WATTAGE	CCT(K)	FROST	INSTALLATION
VIV (Vivid)	T8	BPSP4 (Bypass, PET film)	FF (Flicker-free)	10.5W	40 (4000K)	F (Frost)	DE (Single & Double-ended)



LED LAMP

VIVID Series

Bypass T8 Lamp



VIV-T8BPSP4, VIV-T8BP4 (Double-ended & Single-ended) VIV-T8BPSP/Dim (Single-ended)



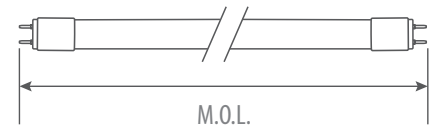
Features & Benefits

- DLC approved, Dimmable*, PET film, ShatterProtect¹
- External ballast not required
- Both Double-ended and Single-ended applicable installation (only single-ended for VIV-T8BPSP/Dim)
- Our safety features allow for installation as well as misapplication protection²

- High CRI (82+), 50,000 hour life (L70)
- NSF/ANSI 2 certified** (except T8BP4/15W)
- Use existing lamp holders (non-shunted or shunted)
- Suitable for splash zones of food equipment

¹For applicable models, see product specification below
²ShatterProtect utilizes PET film to reduce the unexpected risk of shattering
³Contact your local Turolight representative for detail

Dimensional drawing



Warranty & Cautions

- 5-year limited warranty
- Operating temperature range between -20°C and +45°C
- UL/cUL listed, RoHS compliant

** Need to work with NSF certified lighting fixtures.

Ordering Information Example: VIV-T8BPSP4/18W/30/F/DE/3FT

LED CLASS	LAMP TYPE	Bypass, Shatterproof	WATTAGE	CCT(K)	FROST	INSTALLATION	INPUT VOLTAGE	LENGTH
VIV (Vivid)	T8	BPSP4 (Bypass, PET film, 4 th Version) BP4 (Bypass, 4 th Version) BPSP (Bypass, PET film, Dimmable)	18W,15W 12W, 10.5W 9W	30 (3000K) 35 (3500K) 40 (4000K) 50 (5000K)	F	DE (Single & Double-ended)	Blank (120-277V) 347V	Blank (48"/24"9W) 3FT (36")

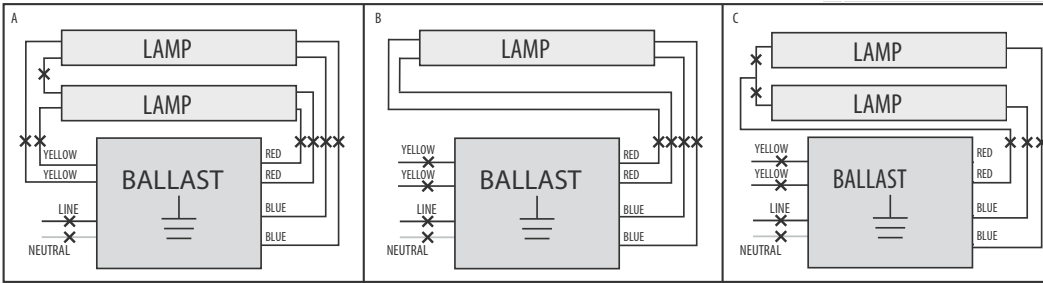
Product Specification

Ordering Code	DLC	Model Number	Watts (W)	Voltage (V)	Initial Lumen (lm)	Base	Hour Rating	Beam Angle	CCT(K)	CRI	M.O.L. (inch)	Case QTY.
1752206	Y	VIV-T8BPSP4/15W/30/F/DE/347V	15	347	2000	G13	50,000	180°	3000	82	48	25
1752302	Y	VIV-T8BPSP4/15W/35/F/DE/347V	15	347	2000	G13	50,000	180°	3500	82	48	25
1752400	Y	VIV-T8BPSP4/15W/40/F/DE/347V	15	347	2200	G13	50,000	180°	4000	82	48	25
1752500	Y	VIV-T8BPSP4/15W/50/F/DE/347V	15	347	2200	G13	50,000	180°	5000	82	48	25
1762037	Y	VIV-T8BPSP4/10.5W/30/F/DE	10.5	120-277	1600	G13	50,000	180°	3000	82	48	25
1762372	Y	VIV-T8BPSP4/10.5W/35/F/DE	10.5	120-277	1600	G13	50,000	180°	3500	82	48	25
1762893	Y	VIV-T8BPSP4/10.5W/40/F/DE	10.5	120-277	1700	G13	50,000	180°	4000	82	48	25
1762558	Y	VIV-T8BPSP4/10.5W/50/F/DE	10.5	120-277	1700	G13	50,000	180°	5000	82	48	25
1752205	Y	VIV-T8BPSP4/9W/30/F/DE (2FT)	9	120-277	1125	G13	50,000	180°	3000	82	24	8
1752301	Y	VIV-T8BPSP4/9W/35/F/DE (2FT)	9	120-277	1125	G13	50,000	180°	3500	82	24	8
1752403	Y	VIV-T8BPSP4/9W/40/F/DE (2FT)	9	120-277	1200	G13	50,000	180°	4000	82	24	8
1752502	Y	VIV-T8BPSP4/9W/50/F/DE (2FT)	9	120-277	1200	G13	50,000	180°	5000	82	24	8
1752204	-	VIV-T8BPSP4/12W/30/F/DE/3FT	12	120-277	1450	G13	50,000	180°	3000	82	36	8
1752300	-	VIV-T8BPSP4/12W/35/F/DE/3FT	12	120-277	1450	G13	50,000	180°	3500	82	36	8
1752401	-	VIV-T8BPSP4/12W/40/F/DE/3FT	12	120-277	1550	G13	50,000	180°	4000	82	36	8
1752501	-	VIV-T8BPSP4/12W/50/F/DE/3FT	12	120-277	1550	G13	50,000	180°	5000	82	36	8
1763238	Y	VIV-T8BPSP4/18W/30/F/DE	18	120-277	2050	G13	50,000	180°	3000	82	48	25
1763319	Y	VIV-T8BPSP4/18W/35/F/DE	18	120-277	2050	G13	50,000	180°	3500	82	48	25
1763440	-	VIV-T8BPSP4/18W/40/F/DE	18	120-277	2100	G13	50,000	180°	4000	82	48	25
1763518	Y	VIV-T8BPSP4/18W/50/F/DE	18	120-277	2200	G13	50,000	180°	5000	82	48	25
1762036	Y	VIV-T8BP4/15W/30/F/DE	15	120-277	1650	G13	50,000	220°	3000	82	48	25
1762371	Y	VIV-T8BP4/15W/35/F/DE	15	120-277	1700	G13	50,000	220°	3500	82	48	25
1762892	Y	VIV-T8BP4/15W/40/F/DE	15	120-277	1750	G13	50,000	220°	4000	82	48	25
1762557	Y	VIV-T8BP4/15W/50/F/DE	15	120-277	1800	G13	50,000	220°	5000	82	48	25
Dimmable												
1763425	-	VIV-T8BPSP/18W/40/F/D	18	120-277	1800	G13	50,000	180°	4000	83	48	25
1763509	-	VIV-T8BPSP/18W/50/F/D	18	120-277	1900	G13	50,000	180°	5000	83	48	25



VIV-T8BPSP4, VIV-T8BP4 (Double-ended & Single-ended), VIV-T8BPSP/Dim (Single-ended)

Installation Guide Typical Ballast Configurations



X Indicates Where to Cut Existing Wiring

Removing Existing Fluorescent System

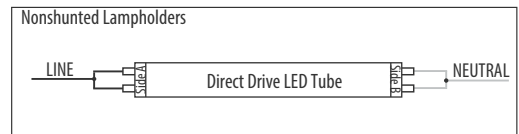
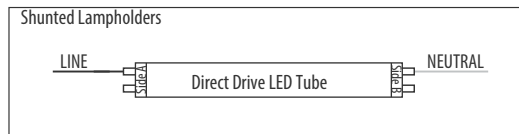
1. Disconnect power from fixture.
2. Remove fluorescent lamp(s).
3. Remove lens and wiring compartment, if applicable.
4. Cut all wires connected to the ballast as shown in Diagrams A, B, and C.
5. Identify what type of lampholders are in fixture. Double-Ended wiring installations of VIV-T8BPSP4/DE tube can be used with shunted G13 or nonshunted G13 lampholders (with instructions to externally shunt). See Figures 1 and 2.

Installing the Lamps-Double Ended

- I. Confirm that power is still disconnected from fixture.
- II. Make sure fixture is properly grounded.
- III. Follow step 1 for single lamp application or steps 2 & 3 for multiple lamp application, based on the number of lamps in the fixture:

Single Lamp

1. From AC wires, connect line (L) to Side A lampholder and neutral (N) to Side B lampholder. If only one lamp is being installed, proceed to step 4.

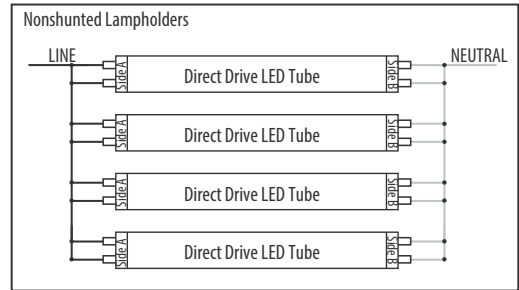
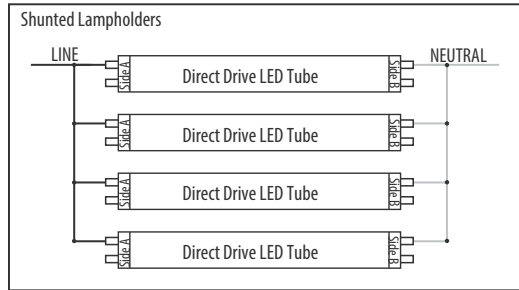


Multiple Lamps

2. Follow the steps above for single lamp connection to connect the first lamp.
3. Connect the terminals from the first lamp to the matching terminals on the lampholder of the second lamp with line and neutral wires as shown below. Continue daisy-chain connection for each additional lamp.
4. Complete all electrical connections with appropriate connectors/wire nuts as needed, per all local and national electrical codes.

NOTE: There should not be any exposed wires from sockets left unconnected.

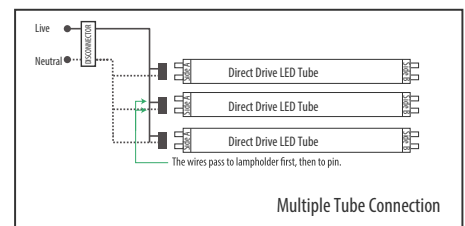
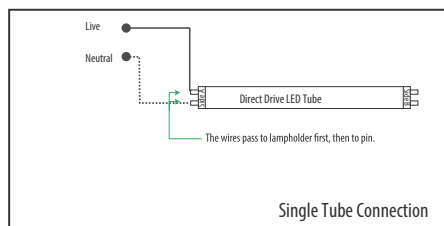
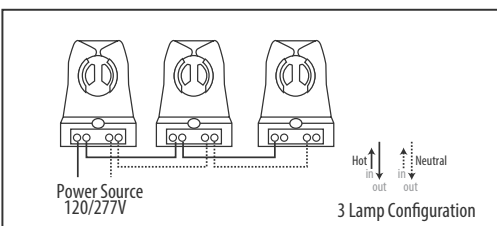
5. Replace wiring compartment cover.
6. Install all of the VIV-T8BPSP4/DE tubes. Install LED tubes so that the LEDs are pointed in the proper direction for illumination, and install any lens or diffuser as applicable.



Installing the Lamps-Single Ended (Non-Shunted)

1. Read all WARNING/CAUTIONS before continuing this section.
2. Ensure fixture is 120-277V.
3. Disconnect power at the source.
4. Remove lens if applicable, remove cover and fluorescent tubes.
5. Cut all wires that connect ballast. Properly discard ballast or cap off wires.
6. Replace lamp holders at power end with supplied non-shunted lamp holders.
7. Connect hot wire from power source into supplied non-shunted Lamp Holder "Hot In".
8. Connect neutral wire from power source into supplied non-shunted Lamp Holder "Neutral In".
9. If installing multiple lamps, continue reading. Otherwise skip to section 14.
10. Connect separate hot wire into "Hot Out" from primary source lamp holder and connect that wire into "Hot In" on the adjacent tube.

11. Connect separate neutral wire into "Neutral Out" from primary source lamp holder and connect that wire into "Neutral In" on the adjacent tube.
12. Continue this process for additional lamps.
13. Do not wire opposite end of lamp holder.
14. Install lamp with the Turolight logo (driver side) into the wired end.
15. Visibly affix "Modification Sticker" and reinstall housing cover and lens if applicable.
16. Return power back to source and installation is now completed.



Note: The luminaire shall only mount max. 4 tubes.



Ballast Bypass

LED LAMP

VIVID Series

Bypass T8 Lamp



VIV-T8BP6 (Double-ended)



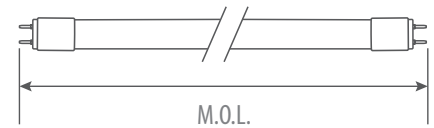
Features & Benefits

- DLC approved
- External ballast not required
- Double-ended installation
- Our safety features allow for installation as well as misapplication protection¹

- High CRI (82+)
- 50,000 hour life (L70)
- Use existing lamp holders (non-shunted or shunted)
- 220° Beam angle

¹Contact your local Turolight representative for detail

Dimensional drawing



Warranty & Cautions

- 5-year limited warranty
- Operating temperature range between -20°C and +45°C
- UL/cUL listed, RoHS compliant

Ordering Information Example: VIV-T8BP6/12W/30/F/DE

LED CLASS	LAMP TYPE	Bypass, Shatterproof	WATTAGE	CCT(K)	FROST	INSTALLATION
VIV (Vivid)	T8	BP6 (Bypass, 6 th Version)	12W 15W	30 (3000K) 35 (3500K) 40 (4000K) 50 (5000K)	F (Frost)	DE (Double-ended)

Product Specification

Ordering Code	DLC	Model Number	Watts (W)	Voltage (V)	Initial Lumen (lm)	Base	Hour Rating	Beam Angle	CCT(K)	CRI	M.O.L. (inch)	Case QTY.
1752220	N	VIV-T8BP6/12W/30/F/DE	12	120-277	1700	G13	50,000	220°	3000	82	48	25
1752308	Y	VIV-T8BP6/12W/35/F/DE	12	120-277	1800	G13	50,000	220°	3500	82	48	25
1752418	Y	VIV-T8BP6/12W/40/F/DE	12	120-277	1800	G13	50,000	220°	4000	82	48	25
1752512	Y	VIV-T8BP6/12W/50/F/DE	12	120-277	1800	G13	50,000	220°	5000	82	48	25
1752221	N	VIV-T8BP6/15W/30/F/DE	15	120-277	2100	G13	50,000	220°	3000	82	48	25
1752309	Y	VIV-T8BP6/15W/35/F/DE	15	120-277	2200	G13	50,000	220°	3500	82	48	25
1752419	Y	VIV-T8BP6/15W/40/F/DE	15	120-277	2200	G13	50,000	220°	4000	82	48	25
1752513	Y	VIV-T8BP6/15W/50/F/DE	15	120-277	2200	G13	50,000	220°	5000	82	48	25



LED LAMP

VIVID Series

Bypass T8 8ft



VIV-T8BPSP4/Fa8 (8ft, Double-ended)
 VIV-T8BPSP4/R17d (8ft, Double-ended)

Features & Benefits

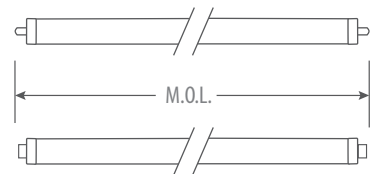
- DLC approved*, PET film, ShatterProtect¹
- External ballast not required
- Fa8, R17d base selection
- 120-277V & 347V, 180° Beam angle

*For applicable models, see product specification below
¹ShatterProtect utilizes PET film to reduce the unexpected risk of shattering
 ** Need to work with NSF certified lighting fixtures

- High CRI (82+), 50,000 hour life (L70)
- NSF/ANSI 2 certified**
- Use existing lamp holders
- Suitable for splash zones of food equipment
- Our safety features allow for installation as well as misapplication protection²

²Contact your local Turolight representative for detail

Dimensional drawing



Warranty & Cautions

- 5-year limited warranty
- Operating temperature range between -20°C and +45°C
- UL/cUL listed, RoHS compliant

Ordering Information

LED CLASS	LAMP TYPE	Bypass, Shatterproof	WATTAGE	CCT(K)	FROST	INSTALLATION	INPUT VOLTAGE
VIV (Vivid)	T8	BPSP4/Fa8 (Bypass, PET film, Fa8 Base) BPSP4/R17d (Bypass, PET film, R17d Base)	42W	30 (3000K) 35 (3500K) 40 (4000K) 50 (5000K)	F (Frost)	DE (Double-ended)	Blank (120-277V) 347V

Product Specification

Ordering Code	DLC	Model Number	Watts (W)	Voltage (V)	Initial Lumen (lm)	Base	Hour Rating	Beam Angle	CCT(K)	CRI	M.O.L. (inch)	Case QTY.
T8 Bypass PET film IV 8ft Fa8 120-277V, Double-ended												
1755200	Y	VIV-T8BPSP4/Fa8/42W/30/F/DE (8FT)	42	120-277	5300	Fa8	50,000	180°	3000	82	96	8
1755300	Y	VIV-T8BPSP4/Fa8/42W/35/F/DE (8FT)	42	120-277	5300	Fa8	50,000	180°	3500	82	96	8
1755400	Y	VIV-T8BPSP4/Fa8/42W/40/F/DE (8FT)	42	120-277	5400	Fa8	50,000	180°	4000	82	96	8
1755500	Y	VIV-T8BPSP4/Fa8/42W/50/F/DE (8FT)	42	120-277	5500	Fa8	50,000	180°	5000	82	96	8
T8 Bypass PET film IV 8FT R17d 120-277V, Double-ended												
1755201	-	VIV-T8BPSP4/R17d/42W/30/F/DE (8FT)	42	120-277	5300	R17d	50,000	180°	3000	82	96	8
1755301	-	VIV-T8BPSP4/R17d/42W/35/F/DE (8FT)	42	120-277	5300	R17d	50,000	180°	3500	82	96	8
1755401	-	VIV-T8BPSP4/R17d/42W/40/F/DE (8FT)	42	120-277	5400	R17d	50,000	180°	4000	82	96	8
1755501	-	VIV-T8BPSP4/R17d/42W/50/F/DE (8FT)	42	120-277	5500	R17d	50,000	180°	5000	82	96	8
T8 Bypass PET film IV 8FT Fa8 347V, Double-ended												
1755202	Y	VIV-T8BPSP4/Fa8/42W/30/F/DE/347V	42	347	5300	Fa8	50,000	180°	3000	82	96	8
1755302	Y	VIV-T8BPSP4/Fa8/42W/35/F/DE/347V (8FT)	42	347	5300	Fa8	50,000	180°	3500	82	96	8
1755402	Y	VIV-T8BPSP4/Fa8/42W/40/F/DE/347V (8FT)	42	347	5400	Fa8	50,000	180°	4000	82	96	8
1755502	Y	VIV-T8BPSP4/Fa8/42W/50/F/DE/347V (8FT)	42	347	5500	Fa8	50,000	180°	5000	82	96	8
T8 Bypass PET film f IV 8FT R17d 347V, Double-ended												
1755203	-	VIV-T8BPSP4/R17d/42W/30/F/DE/347V (8FT)	42	347	5300	R17d	50,000	180°	3000	82	96	8
1755303	-	VIV-T8BPSP4/R17d/42W/35/F/DE/347V (8FT)	42	347	5300	R17d	50,000	180°	3500	82	96	8
1755403	-	VIV-T8BPSP4/R17d/42W/40/F/DE/347V (8FT)	42	347	5400	R17d	50,000	180°	4000	82	96	8
1755503	-	VIV-T8BPSP4/R17d/42W/50/F/DE/347V (8FT)	42	347	5500	R17d	50,000	180°	5000	82	96	8



VIV-T8BPSP4/Fa8, VIV-T8BPSP4/R17d (8ft, Double-ended)

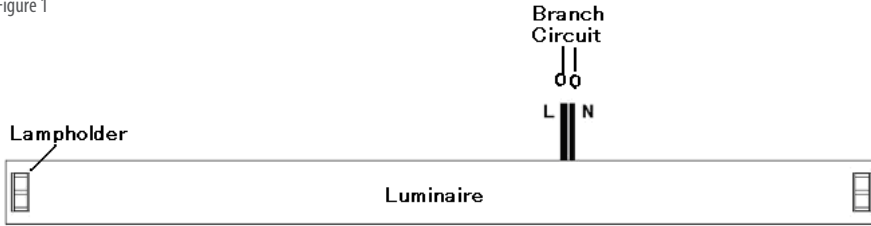
Installation Guide

STEP 1: Shut off power before work.

STEP 2: Remove the existing fluorescent tube(s), open the ballast cover.

STEP 3: Disconnect luminaire supply wirings L and N to branch circuit shown

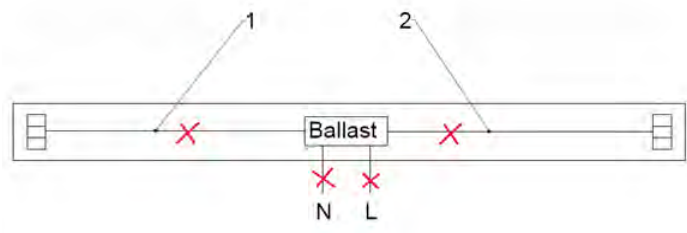
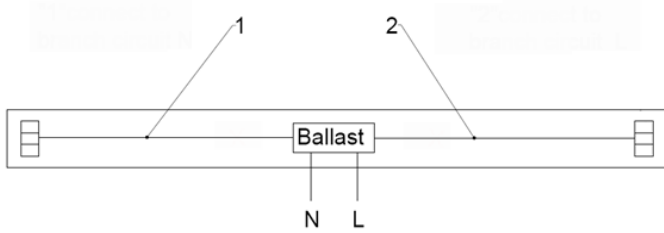
Figure 1



STEP 4: Original circuit as shown in Figure 2, cut lamp holder leads "1" and "2" as shown in Figure 3. Note: Ballast must be retained in place.

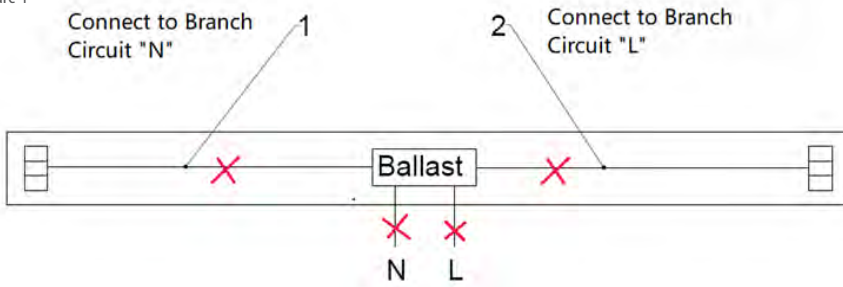
Figure 2

Figure 3



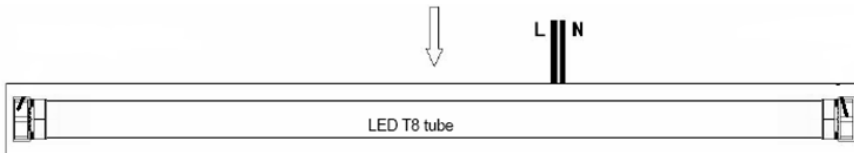
STEP 5: Connect "Lead 1" to N and "Lead 2" to L as shown in Fig. 4.

Figure 4



STEP 6: Attach the Luminaire Marking Label to the luminaire. Install ballast cover (if applicable) back on Luminaire as shown in Figure 5.

Figure 5



STEP 7: Turn on the AC power source, LED Tube will light.

The wiring of two lamps is the same as above



LED LAMP

VIVID Series

Bypass T8 Lamp



VIV-T8BPSP4 (5ft & 6ft Single-ended)



Features & Benefits

- PET film, ShatterProtect¹
- External ballast not required
- Single-ended applicable installation
- Our safety features allow for installation as well as misapplication protection²

- High CRI (82+), 50,000 hour life (L70)
- NSF/ANSI 2 certified**
- Use existing lamp holders (Non-Shunted)
- Suitable for splash zones of food equipment

¹For applicable models, see product specification below
²ShatterProtect utilizes PET film to reduce the unexpected risk of shattering
²Contact your local Turolight representative for detail

Dimensional drawing



Warranty & Cautions

- 5-year limited warranty
- Operating temperature range between -20°C and +45°C
- UL/cUL listed, RoHS compliant

** Need to work with NSF certified lighting fixtures.

Ordering Information Example: VIV-T8BPSP4/22W/40/F/5FT

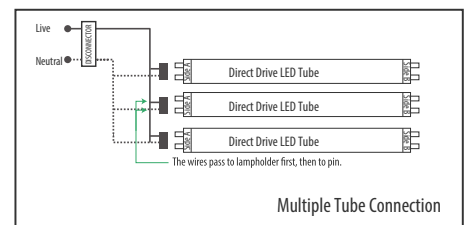
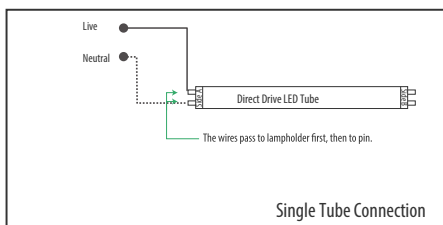
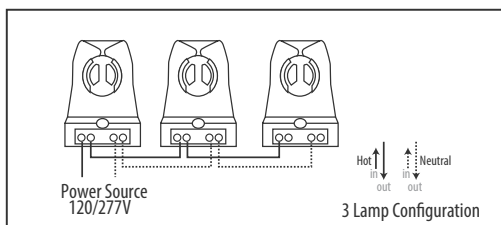
LED CLASS	LAMP TYPE	Bypass, Shatterproof	WATTAGE	CCT(K)	FROST	LENGTH
VIV (Vivid)	T8	BPSP4 (Bypass, PET film, 4 th Version)	22W, 30W	40 (4000K) 50 (5000K)	F (Frost)	5FT (60") 6FT (72")

Product Specification

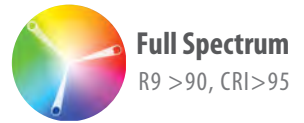
Ordering Code	Model Number	Watts (W)	Voltage (V)	Initial Lumen (lm)	Base	Hour Rating	Beam Angle	CCT(K)	CRI	M.O.L. (inch)	Case QTY.
1764412	VIV-T8BPSP4/22W/40/F/5FT	22	120-277	2600	G13	50,000	180°	4000	82	60	8
1764510	VIV-T8BPSP4/22W/50/F/5FT	22	120-277	2600	G13	50,000	180°	5000	82	60	8
1764411	VIV-T8BPSP4/30W/40/F/6FT	30	120-277	3400	G13	50,000	180°	4000	82	72	8
1764511	VIV-T8BPSP4/30W/50/F/6FT	30	120-277	3500	G13	50,000	180°	5000	82	72	8

Installing the Lamps-Single Ended (Non-Shunted)

1. Read all WARNING/CAUTIONS before continuing this section.
2. Ensure fixture is 120-277V.
3. Disconnect power at the source.
4. Remove lens if applicable, remove cover and fluorescent tubes.
5. Cut all wires that connect ballast. Properly discard ballast or cap off wires.
6. Replace lamp holders at power end with supplied non-shunted lamp holders.
7. Connect hot wire from power source into supplied non-shunted Lamp Holder "Hot In".
8. Connect neutral wire from power source into supplied non-shunted Lamp Holder "Neutral In".
9. If installing multiple lamps, continue reading. Otherwise skip to section 14.
10. Connect separate hot wire into "Hot Out" from primary source lamp holder and connect that wire into "Hot In" on the adjacent tube.
11. Connect separate neutral wire into "Neutral Out" from primary source lamp holder and connect that wire into "Neutral In" on the adjacent tube.
12. Continue this process for additional lamps.
13. Do not wire opposite end of lamp holder.
14. Install lamp with the Turolight logo (driver side) into the wired end.
15. Visibly affix "Modification Sticker" and reinstall housing cover and lens if applicable.
16. Return power back to source and installation is now completed.



Note: The luminaire shall only mount max. 4 tubes.



LED LAMP

VIVID Series



VIV-T8BPSP/I95



Features & Benefits

- Full Spectrum (R9 >90), High CRI (95+)
- 120-347V
- Ballast Bypass (no ballast required)
- PET film, ShatterProtect¹
- 50,000 hour life (L70), 180° Beam angle

¹ShatterProtect utilizes PET film to reduce the unexpected risk of shattering
²Need to work with NSF certified lighting fixtures

- Double-ended wiring
- 48" length
- NSF/ANSI 2 Certified²
- Our safety features allow for installation as well as misapplication protection³

³Contact your local Turolight representative for detail

Dimensional drawing



Warranty & Cautions

- 5-year limited warranty
- Bulb wall temperature range between -20°C and +45°C

Applications

Ideal for paint booth, printing workshop, art school or any other applications required ultimate light quality with energy saving solution.

Product Specification

Ordering Code	Model Number	Description	Watts (W)	Voltage (V)	Initial Lumen (lm)	Base	Hour Rating	Beam Angle	CCT(K)	CRI	M.O.L. (inch)	Case QTY.
1753500	VIV-T8BPSP/I95/18.5W/57/F/120-347V	Bypass CRI95 4ft 18.5W G13 5700K Frost Shatterprotect 120-347V	18.5	120-347	2100	G13	50,000	180	5700	95	48	10

Ordering Information Example: VIV-T8BPSP/I95/18.5W/57/F/120-347V

LED CLASS	LAMP TYPE	BYPASS, SHATTERPROOF	CRI	WATTAGE	CCT(K)	FROST	Voltage
VIV (Vivid)	T8	BPSP (Bypass, PET film)	I95 (CRI≥95)	18.5W	57 (5700K)	F (Frost)	120-347V



SHATTER PROOF
Ballast Bypass

LED LAMP

VIVID Series



R17D

VIV-T8BPSP Nano - Sign Light



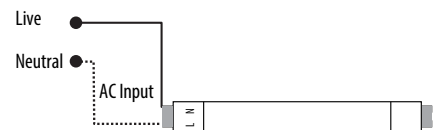
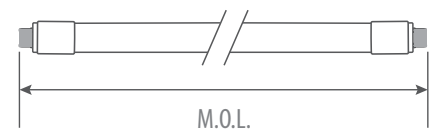
Features & Benefits

- Double sided LED strip design offers perfect 330° beam angle for outstanding light distribution
- High-transmittance nano-plastic tube, Shatterproof, no bending under high temperature
- Ideal to replace T8HO or T12HO fluorescent lamps for lighting sign boxes
- Ballast Bypass, Single-ended wiring (no ballast required)

- NSF/ANSI 2 Certified¹, suitable for splash zones of food equipment
- R17D End Caps
- Tube adjustable for optimized illumination
- 50,000 hour life (L70), High CRI (83+)
- 24", 36", 48", 60", 72", 84", 96", 108" and 120" length

¹Need to work with ETL Sanitation certified lighting fixtures

Dimensional drawing



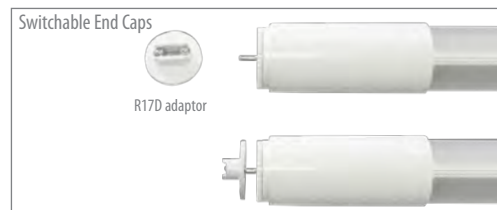
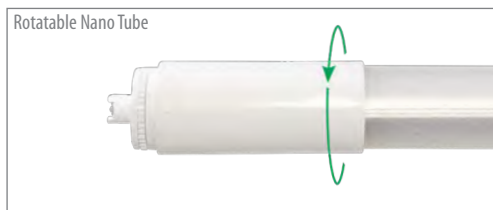
Single-ended wiring, opposite socket to remain unwired.

Warranty & Cautions

- 3-year limited warranty
- Bulb wall temperature range between -40°C and +45°C
- Sockets must be non-shunted

Product Specification

Ordering Code	Model Number	Description	Lamp Power (W)	System Power (W)	Initial Lumen (lm)	Base	Voltage (V)	Hour Rating	Beam Angle	CCT(K)	CRI	M.O.L. (inch)	Case QTY.
1762602	VIV-T8BPSP/N/9W/65/DS/2FT	T8 Bypass 2ft 9W R17D 65K Frost Shatterproof Double Sided	9	9	1250	R17D	120-277	50,000	330	6500	83	24	10
1762603	VIV-T8BPSP/N/12W/65/DS/3FT	T8 Bypass 3ft 12W R17D 65K Frost Shatterproof Double Sided	12	12	1650	R17D	120-277	50,000	330	6500	83	36	10
1763601	VIV-T8BPSP/N/18W/65/DS/4FT	T8 Bypass 4ft 18W R17D 65K Frost Shatterproof Double Sided	18	18	2500	R17D	120-277	50,000	330	6500	83	48	10
1764601	VIV-T8BPSP/N/24W/65/DS/5FT	T8 Bypass 5ft 24W R17D 65K Frost Shatterproof Double Sided	24	24	3350	R17D	120-277	50,000	330	6500	83	60	10
1764602	VIV-T8BPSP/N/30W/65/DS/6FT	T8 Bypass 6t 30W R17D 65K Frost Shatterproof Double Sided	30	30	4200	R17D	120-277	50,000	330	6500	83	72	10
1764604	VIV-T8BPSP/N/32W/65/DS/7FT	T8 Bypass 7ft 32W R17D 65K Frost Shatterproof Double Sided	32	32	4500	R17D	120-277	50,000	330	6500	83	84	10
1765600	VIV-T8BPSP/N/36W/65/DS/8FT	T8 Bypass 8ft 36W R17D 65K Frost Shatterproof Double Sided	36	36	5000	R17D	120-277	50,000	330	6500	83	96	10
1765602	VIV-T8BPSP/N/42W/65/DS/9FT	T8 Bypass 9ft 42W R17D 65K Frost Shatterproof Double Sided	42	42	5800	R17D	120-277	50,000	330	6500	83	108	10
1765601	VIV-T8BPSP/N/48W/65/DS/10FT	T8 Bypass 10ft 48W R17D 65K Frost Shatterproof Double Sided	48	48	6700	R17D	120-277	50,000	330	6500	83	120	10



Ordering Information

Example: VIV-T8BPSP/N/24W/65/DS/5FT

LED CLASS	LAMP TYPE	BYPASS, SHATTERPROOF	MATERIAL	WATTAGE	CCT(K)	LED STRIPS	LENGTH
VIV (Vivid)	T8	BPSP (Bypass, Shatterproof)	N (Nano)	9W, 12W 18W, 24W 30W, 32W 36W, 42W, 48W	65 (6500K)	DS (Double Sided)	2FT (24"), 3FT (36") 4FT (48"), 5FT (60") 6FT (72"), 7FT (84") 8FT (96")**, 9FT (108")**, 10FT (120")**

** Be sure set nano PCB (printed circuit board) is vertical to avoid tube distortion (sagging).



SHATTERPROOF
Ballast Bypass

LED LAMP

VIVID Series



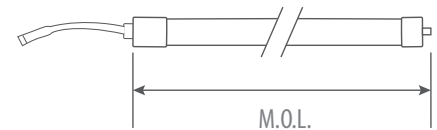
VIV-T8BPSP Nano - Freezer/Cooler



Features & Benefits

High-transmittance nano-plastic tube, Shatterproof, no bending under high temperature	NSF/ANSI 2 Certified ¹ , suitable for splash zones of food equipment
Design for Freezer/Cooler application	48", 60" and 72" length
Plugs directly into AC outlet, instant startup	50,000 hour life (L70), High CRI (83+)
Ballast Bypass (no ballast required)	Wet locatoin approved
Mounting Brackets and 72" power cord included	¹ Need to work with ETL Sanitation certified lighting fixtures

Dimensional drawing



Warranty & Cautions

- 5-year limited warranty
- Bulb wall temperature range between -30°C and +40°C

Product Specification

Ordering Code	Model Number	Description	Lamp Power (W)	System Power (W)	Initial Lumen (lm)	Voltage (V)	Hour Rating	Beam Angle	CCT(K)	CRI	M.O.L. (inch)	Case QTY.
1753400	VIV-T8BPSP/N/18W/40/F/FC (4FT)	Bypass Nano 4ft 18W G13 40K Frost Shatterproof Freezer/Cooler	18	18	2250	120-277	50,000	160	4000	83	47.4"	25
1754400	VIV-T8BPSP/N/22W/40/F/FC/5FT	Bypass Nano 5ft 22W G13 40K Frost Shatterproof Freezer/Cooler	22	22	2750	120-277	50,000	160	4000	83	59.4"	25
1754401	VIV-T8BPSP/N/26W/40/F/FC/6FT	Bypass Nano 6ft 26W G13 40K Frost Shatterproof Freezer/Cooler	26	26	3250	120-277	50,000	160	4000	83	71.4"	12

Accessories



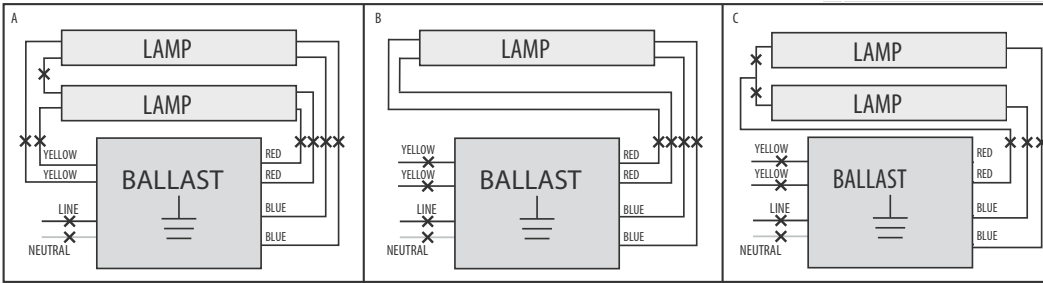
Ordering Information Example: VIV-T8BPSP/N/18W/40/F/FC

LED CLASS	LAMP TYPE	BYPASS, SHATTERPROOF	MATERIAL	WATTAGE	CCT(K)	FROST	APPLICATION
VIV (Vivid)	T8	BPSP (Bypass, Shatterproof)	N (Nano)	18W 22W 26W	40 (4000K)	F (Frost)	FC (Freezer/Cooler)



VIV-T8BP6 (Double-ended)

Installation Guide Typical Ballast Configurations



X Indicates Where to Cut Existing Wiring

Removing Existing Fluorescent System

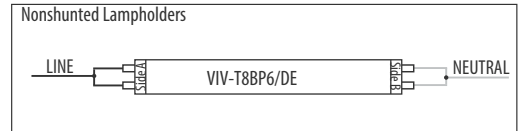
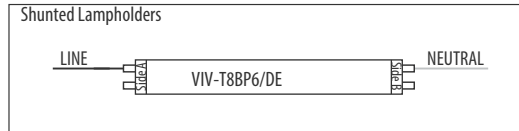
1. Disconnect power from fixture.
2. Remove fluorescent lamp(s).
3. Remove lens and wiring compartment, if applicable.
4. Cut all wires connected to the ballast as shown in Diagrams A, B, and C.
5. Identify what type of lampholders are in fixture. Double-Ended wiring installations of VIV-T8BP6/DE tube can be used with shunted G13 or nonshunted G13 lampholders (with instructions to externally shunt). See Figures 1 and 2.

Installing the Lamps-Double Ended

- I. Confirm that power is still disconnected from fixture.
- II. Make sure fixture is properly grounded.
- III. Follow step 1 for single lamp application or steps 2 & 3 for multiple lamp application, based on the number of lamps in the fixture:

Single Lamp

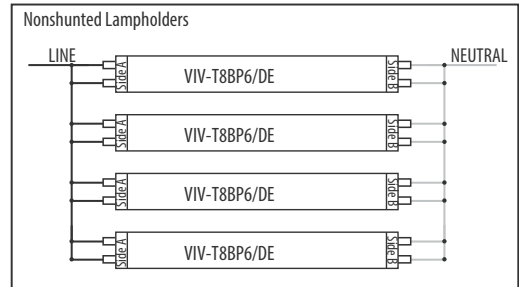
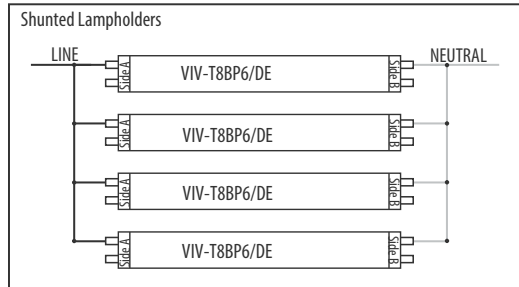
1. From AC wires, connect line (L) to Side A lampholder and neutral (N) to Side B lampholder. If only one lamp is being installed, proceed to step 4.



Multiple Lamps

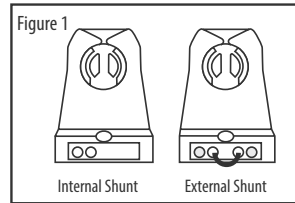
2. Follow the steps above for single lamp connection to connect the first lamp.
3. Connect the terminals from the first lamp to the matching terminals on the lampholder of the second lamp with line and neutral wires as shown below. Continue daisy-chain connection for each additional lamp.
4. Complete all electrical connections with appropriate connectors/wire nuts as needed, per all local and national electrical codes.

NOTE: There should not be any exposed wires from sockets left unconnected.

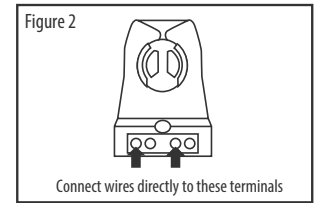


5. Replace wiring compartment cover.
6. Install all of the VIV-T8BP6/DE tubes. Install LED tubes so that the LEDs are pointed in the proper direction for illumination, and install any lens or diffuser as applicable.

Typical Shunted Lampholders



Typical Non-Shunted Lampholder





Instant Start Electronic Ballast UNV & 347V



Product Description

Compatible with T8, 32/25/17 & 30/28/25 wattage lamp types
THD <10%, high power factor
Normal ballast factor
Parallel lamp operation, enables lamps to remain on when one fails
Sound Rating A, for quiet operation
OCV 600V, No PCB's
Remote Mounting: 18 ft. max. Maximum ambient temperature: 131°F/ 55°C Maximum case temperature Tc: 194°F/ 90°C

Certifications

Meets ANSI standard C82.11-2002 and C62.41-2002
Meets FCC 18 non-consumer limits(277V)
UL&cULus listed (Class P, Type 1 Outdoor), Type HL
RoHS compliance

Warranty

Commercial/ Industrial product use with case Temp. 75°C or below	<u>5 years</u>
Commercial/ Industrial product use with case Temp. 90°C or below	<u>3 years</u>

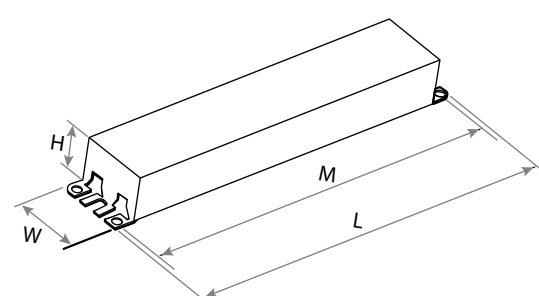
Product Specification

Order Code	Model Number	No. of Lamps	Lamp Type	Input Volts (V)	Input Power (W)	Line Current (A)	Ballast Factor	THD (≤%)	Power Factor (≥)
Instant Start, 120V 50/60Hz									
4161100	TL232UNV-IS	1	F32T8	120	35	0.29	1.08	10	0.98
	TL232UNV-IS	2	F32T8	120	56	0.46	0.89	10	0.98
4161101	TL432UNV-IS	3	F32T8	120	92	0.77	0.96	10	0.98
	TL432UNV-IS	4	F32T8	120	112	0.93	0.88	10	0.98
Instant Start, 347V 50/60Hz									
4161200	TL232347-IS	1	F32T8	347	37	0.112	1.08	10	0.98
	TL232347-IS	2	F32T8	347	56	0.170	0.89	10	0.98
4161201	TL432347-IS	3	F32T8	347	88	0.260	0.94	10	0.97
	TL432347-IS	4	F32T8	347	109	0.322	0.87	10	0.98

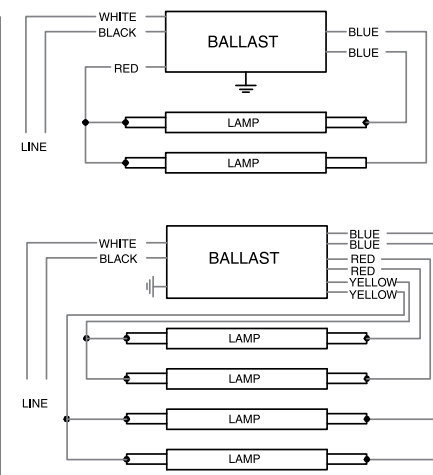
Dimensional drawing

9.5"(L) x 1.3"(W) x 1.1"(H) x 8.9"(M)
 0.79 lbs for TL232UNV-IS
 1.10 lbs for TL432UNV-IS
 TL232347-IS, TL432347-IS

Lead Length: 18AWG
 White, Black 25" (±1")
 Yellow 46" (±1")
 Blue/ Red 31" (±1")



Ballast Wiring



For one lamp application, cap any blue lead insulate to 600V

For three lamps application, cap any blue lead insulate to 600V



LED LAMP

VIVID Series



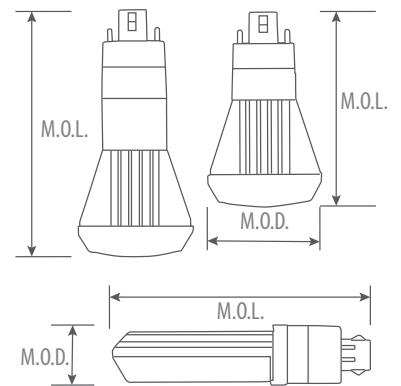
VIV-PL/DF

Features & Benefits

- DLC approved
- High CRI (83+), 120° beam angle
- 3 Versions (Horizontal, Vertical and Vertical Long)
- Enclosed fixture application and wet location approved
- G24q base matches CFL G24q-1,2,3 and GX24q-2,3,4
- Compatible with most CFL electronic fluorescent ballast¹
- 50,000 hour life (L70)

¹ For detail, you may contact your sales person or check www.turolight.com for ballast compatibility list

Dimensional drawing



Warranty & Cautions

- 5-year limited warranty for DLC listed lamps / 3-year limited warranty for non-DLC*
- Operating temperature range between -20°C and +45°C

*Please check the "Turolight LED Limited Warranty" for details

Product Specification

Ordering Code	DLC	Model Number	Description	Replacement CFL	Watts	Base	Voltage (V)	Hour Rating	Beam Angle	Initial Lumen (lm)	CCT(K)	CRI	Enclosed Fixtures Application	M.O.L. (inch)	M.O.D. (inch)	Case QTY.
1762192	-	VIV-PL/DF/9W/27/H	PL Direct Fit 9W 27K Horizontal	PLC 18W/26W G24q-1,G24q-2, G24q-3 PLT 18W GX24q-2 PLT 26W GX24q-3 PLT 32W GX24q-3	9	G24q	120/277	50,000	120	800	2700	83	Y	5.20	1.61	50
1762761	Y	VIV-PL/DF/9W/30/H	PL Direct Fit 9W 30K Horizontal		9	G24q	120/277	50,000	120	950	3000	83	Y	5.20	1.61	50
1762348	Y	VIV-PL/DF/9W/35/H	PL Direct Fit 9W 35K Horizontal		9	G24q	120/277	50,000	120	1000	3500	83	Y	5.20	1.61	50
1762839	Y	VIV-PL/DF/9W/40/H	PL Direct Fit 9W 40K Horizontal		9	G24q	120/277	50,000	120	1050	4000	83	Y	5.20	1.61	50
1762537	Y	VIV-PL/DF/9W/50/H	PL Direct Fit 9W 50K Horizontal		9	G24q	120/277	50,000	120	1050	5000	83	Y	5.20	1.61	50
1762193	-	VIV-PL/DF/9W/27/V	PL Direct Fit 9W 27K Vertical		9	G24q	120/277	50,000	120	850	2700	83	Y	3.66	2.09	50
1762762	-	VIV-PL/DF/9W/30/V	PL Direct Fit 9W 30K Vertical		9	G24q	120/277	50,000	120	950	3000	83	Y	3.66	2.09	50
1762349	-	VIV-PL/DF/9W/35/V	PL Direct Fit 9W 35K Vertical		9	G24q	120/277	50,000	120	1000	3500	83	Y	3.66	2.09	50
1762840	-	VIV-PL/DF/9W/40/V	PL Direct Fit 9W 40K Vertical		9	G24q	120/277	50,000	120	1050	4000	83	Y	3.66	2.09	50
1762538	Y	VIV-PL/DF/9W/50/V	PL Direct Fit 9W 50K Vertical		9	G24q	120/277	50,000	120	950	5000	83	Y	3.66	2.09	50
1762194	-	VIV-PL/DF/9W/27/VL	PL Direct Fit 9W 27K Vertical Long		9	G24q	120/277	50,000	120	850	2700	83	Y	4.65	2.09	50
1762763	-	VIV-PL/DF/9W/30/VL	PL Direct Fit 9W 30K Vertical Long		9	G24q	120/277	50,000	120	950	3000	83	Y	4.65	2.09	50
1762350	-	VIV-PL/DF/9W/35/VL	PL Direct Fit 9W 35K Vertical Long		9	G24q	120/277	50,000	120	1000	3500	83	Y	4.65	2.09	50
1762841	-	VIV-PL/DF/9W/40/VL	PL Direct Fit 9W 40K Vertical Long		9	G24q	120/277	50,000	120	1050	4000	83	Y	4.65	2.09	50
1762539	Y	VIV-PL/DF/9W/50/VL	PL Direct Fit 9W 50K Vertical Long		9	G24q	120/277	50,000	120	950	5000	83	Y	4.65	2.09	50

Base Matches

PL G24q →



G24q-1



G24q-2



G24q-3



GX24q-2



GX24q-3



GX24q-4



LED LAMP

VIVID Series



VIV-PLL/DF



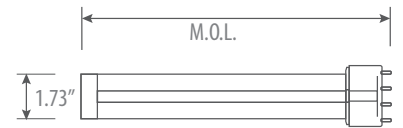
Features & Benefits

- Direct replacement CFL PLL 40W/50W
- 320° emitting angle, 160° beam angle
- 50,000 hour life (L70), High CRI (83+)
- Enclosed fixture and damp location rated

- With thermal fuse for over-heat security
- Direct fit, Compatible with most CFL electronic fluorescent ballast¹

¹ For detail, you may contact your sales person or check www.turolight.com for ballast compatibility list

Dimensional drawing



Warranty & Cautions

- 3-year limited warranty
- Operating temperature range between -20°C and +40°C

Product Specification

Ordering Code	Model Number	Description	Replacement CFL	Watts	Base	Voltage (V)	Hour Rating	Beam Angle	Initial Lumen (lm)	CCT(K)	CRI	M.O.L. (inch)	Case QTY.
PLL Replacement - Direct Fit													
1752217	VIV-PLL/DF/14W/30/L	PLL Direct Fit 14W 30K Long DLC	PLL 40W/50W	14	2G11	120-277, 347	50,000	160	2000	3000	83	22.44	50
1752306	VIV-PLL/DF/14W/35/L	PLL Direct Fit 14W 35K Long DLC		14	2G11	120-277, 347	50,000	160	2050	3500	83	22.44	50
1752414	VIV-PLL/DF/14W/40/L	PLL Direct Fit 14W 40K Long DLC		14	2G11	120-277, 347	50,000	160	2100	4000	83	22.44	50



LED LAMP

VIVID Series



VIV-PLL/DF, VIV-PLL/BP



Features & Benefits

Direct Fit and Ballast Bypass options	High CRI (83+), 180° beam angle
Kinds of length	Compatible with most CFL electronic fluorescent ballast ¹
50,000 hour life (L70)	¹ For detail, you may contact your sales person or check www.turolight.com for ballast compatibility list

Dimensional drawing



Warranty & Cautions

3-year limited warranty

Operating temperature range between -20°C and +45°C

Product Specification

Ordering Code	Model Number	Description	Replacement CFL	Watts	Base	Voltage (V)	Hour Rating	Beam Angle	Initial Lumen (lm)	CCT(K)	CRI	M.O.L. (inch)	Case QTY.
PLL Replacement - Direct Fit													
1762160	VIV-PLL/DF/15W/27	PLL Direct Fit 15W 27K	PLL 55W	15	2G11	120/277	50,000	180	1600	2700	83	21.06	50
1762705	VIV-PLL/DF/15W/30	PLL Direct Fit 15W 30K		15	2G11	120/277	50,000	180	1600	3000	83	21.06	50
1762319	VIV-PLL/DF/15W/35	PLL Direct Fit 15W 35K		15	2G11	120/277	50,000	180	1600	3500	83	21.06	50
1762493	VIV-PLL/DF/15W/40	PLL Direct Fit 15W 40K		15	2G11	120/277	50,000	180	1600	4000	83	21.06	50
1763112	VIV-PLL/DF/19W/27	PLL Direct Fit 19W 27K	PLL 55W	19	2G11	120/277	50,000	180	2000	2700	83	21.06	50
1763225	VIV-PLL/DF/19W/30	PLL Direct Fit 19W 30K		19	2G11	120/277	50,000	180	2000	3000	83	21.06	50
1763309	VIV-PLL/DF/19W/35	PLL Direct Fit 19W 35K		19	2G11	120/277	50,000	180	2000	3500	83	21.06	50
1763426	VIV-PLL/DF/19W/40	PLL Direct Fit 19W 40K		19	2G11	120/277	50,000	180	2000	4000	83	21.06	50
1763116	VIV-PLL/DF/19W/27/L	PLL Direct Fit 19W 27K Long	PLL 40W/50W	19	2G11	120/277	50,000	180	2000	2700	83	22.44	50
1763235	VIV-PLL/DF/19W/30/L	PLL Direct Fit 19W 30K Long		19	2G11	120/277	50,000	180	2000	3000	83	22.44	50
1763316	VIV-PLL/DF/19W/35/L	PLL Direct Fit 19W 35K Long		19	2G11	120/277	50,000	180	2000	3500	83	22.44	50
1763437	VIV-PLL/DF/19W/40/L	PLL Direct Fit 19W 40K Long		19	2G11	120/277	50,000	180	2000	4000	83	22.44	50
PLL Replacement - Bypass													
1762163	VIV-PLL/BP/8W/27	PLL Bypass 8W 27K	PLL 18W	8	2G11	120/277	50,000	180	640	2700	83	8.86	50
1762708	VIV-PLL/BP/8W/30	PLL Bypass 8W 30K		8	2G11	120/277	50,000	180	640	3000	83	8.86	50
1762322	VIV-PLL/BP/8W/35	PLL Bypass 8W 35K		8	2G11	120/277	50,000	180	640	3500	83	8.86	50
1762496	VIV-PLL/BP/8W/40	PLL Bypass 8W 40K		8	2G11	120/277	50,000	180	640	4000	83	8.86	50
1762164	VIV-PLL/BP/10W/27	PLL Bypass 10W 27K	PLL 24W	10	2G11	120/277	50,000	180	800	2700	83	12.60	50
1762709	VIV-PLL/BP/10W/30	PLL Bypass 10W 30K		10	2G11	120/277	50,000	180	800	3000	83	12.60	50
1762323	VIV-PLL/BP/10W/35	PLL Bypass 10W 35K		10	2G11	120/277	50,000	180	800	3500	83	12.60	50
1762497	VIV-PLL/BP/10W/40	PLL Bypass 10W 40K		10	2G11	120/277	50,000	180	800	4000	83	12.60	50
1762165	VIV-PLL/BP/15W/27	PLL Bypass 15W 27K	PLL 36W	15	2G11	120/277	50,000	180	1200	2700	83	16.34	50
1762710	VIV-PLL/BP/15W/30	PLL Bypass 15W 30K		15	2G11	120/277	50,000	180	1200	3000	83	16.34	50
1762324	VIV-PLL/BP/15W/35	PLL Bypass 15W 35K		15	2G11	120/277	50,000	180	1200	3500	83	16.34	50
1762498	VIV-PLL/BP/15W/40	PLL Bypass 15W 40K		15	2G11	120/277	50,000	180	1200	4000	83	16.34	50
1763113	VIV-PLL/BP/18W/27	PLL Bypass 18W 27K	PLL 55W	18	2G11	120/277	50,000	180	1500	2700	83	21.06	50
1763226	VIV-PLL/BP/18W/30	PLL Bypass 18W 30K		18	2G11	120/277	50,000	180	1500	3000	83	21.06	50
1763310	VIV-PLL/BP/18W/35	PLL Bypass 18W 35K		18	2G11	120/277	50,000	180	1500	3500	83	21.06	50
1763427	VIV-PLL/BP/18W/40	PLL Bypass 18W 40K		18	2G11	120/277	50,000	180	1500	4000	83	21.06	50



LED LAMP

VIVID Series



VIV-PLS/BP

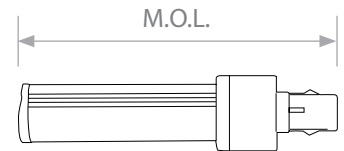


Features & Benefits

Bypass replacement for CFL PLS 2Pin (GX23)
350~700lm
50,000 hour life (L70)

High CRI (83+), 180° beam angle
Damp location approved

Dimensional drawing



Warranty & Cautions

3-year limited warranty in commercial use from the date of purchase

Operating temperature range between -20°C and +50°C

UL/cUL listed, FCC compliant, RoHS compliant

Product Specification

Ordering Code	Model Number	Description	Watts	Base	Voltage (V)	Hour Rating	Beam Angle	Initial Lumen (lm)	CCT(K)	CRI	M.O.L. (inch)	Case QTY.
1751401	VIV-PLS/BP/4.5W/40/G23	PLS Bypass 4.5W 40K 2Pin	4.5	GX23	120/277	50,000	180	350	4000	83	5.79	50
1752417	VIV-PLS/BP/6W/40/GX23/S	PLS Bypass 6W 40K 2Pin	6	GX23	120/277	50,000	180	500	4000	83	6.75	50
1762161	VIV-PLS/BP/6W/27/2P	PLS Bypass 6W 27K 2Pin	6	GX23	120/277	50,000	180	500	2700	83	5.79	50
1762706	VIV-PLS/BP/6W/30/2P	PLS Bypass 6W 30K 2Pin	6	GX23	120/277	50,000	180	500	3000	83	5.79	50
1762320	VIV-PLS/BP/6W/35/2P	PLS Bypass 6W 35K 2Pin	6	GX23	120/277	50,000	180	500	3500	83	5.79	50
1762494	VIV-PLS/BP/6W/40/2P	PLS Bypass 6W 40K 2Pin	6	GX23	120/277	50,000	180	500	4000	83	5.79	50
1762162	VIV-PLS/BP/8W/27/2P	PLS Bypass 8W 27K 2Pin	8	GX23	120/277	50,000	180	700	2700	83	6.75	50
1762707	VIV-PLS/BP/8W/30/2P	PLS Bypass 8W 30K 2Pin	8	GX23	120/277	50,000	180	700	3000	83	6.75	50
1762321	VIV-PLS/BP/8W/35/2P	PLS Bypass 8W 35K 2Pin	8	GX23	120/277	50,000	180	700	3500	83	6.75	50
1762495	VIV-PLS/BP/8W/40/2P	PLS Bypass 8W 40K 2Pin	8	GX23	120/277	50,000	180	700	4000	83	6.75	50