

Installation Guide

LED PLL Replacement - Bypass

Please read and understand this entire manual before attempting to assemble, operate or install the product. Failure to do so could lead to electric shock, fire or other injuries that could be hazardous or even fatal.

Applicable models:

VIV-PLL/BP/XXW/XX

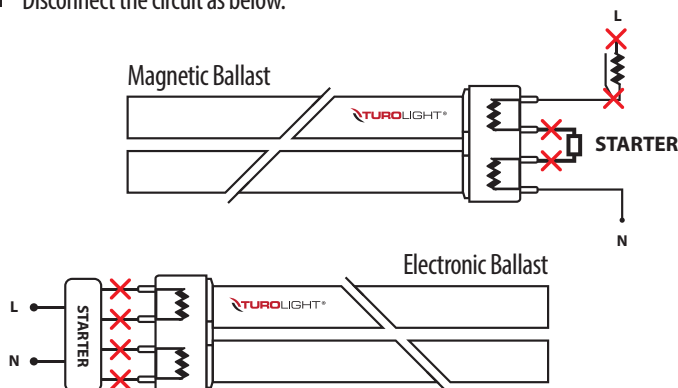
WARNING

- Risk of fire or electric shock. LED Retrofit Kit installation requires knowledge of luminaires electrical systems. If not qualified, do not attempt installation. Contact a qualified electrician.
- Install this kit only in the luminaires that have the construction features and dimensions shown in the photographs and/or drawing and where the input rating of the retrofit kit does not exceed the input rating of luminaire.
- Do not make or alter any open holes in an enclosure of wiring or electrical components during kit installation.
- To prevent wiring damage or abrasion, do not expose wiring to edges of sheet metal or other sharp objects.
- To avoid potential fire or shock hazard, do not use this retrofit kit in luminaires employing shunted bi-pin lamp holders. Note shunted lamp Instant-start ballasts can be identified by the words "Instant Start" or "I.S." marked on the ballast. This designation may be in the form of a statement pertaining to the ballast itself, or may be combined with the marking for the lamps with which the ballast is intended to be used. For more information, contact the LED luminaire retrofit kit manufacturer. Installers should not disconnect existing wires from lamp holder terminals to make new connections at lamp holder terminals. Instead installers should cut existing lamp holder leads away from the lamp holder and make new electrical connections to lamp holder lead wires by employing applicable connectors.
- Not for use with light dimmers.
- This devices not intended for use with emergency exits.

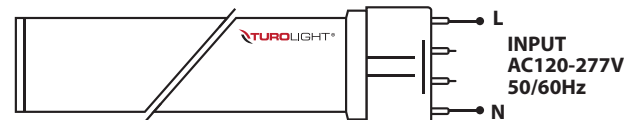


Installation Instructions

1 Disconnect the circuit as below.



2 Connect the circuit after rewiring as below.



FOR MORE DETAILS CALL 1-877-736-0447 OR EMAIL: INFO@TUROLIGHT.COM

Tel: (416) 736-0447 • Toll Free: 1 (877) 736-0447 • Fax: (416) 736-4890 • Email: info@turolight.com • Website: www.turolight.com