



LED FIXTURE

TL Series

Steel Battery Unit

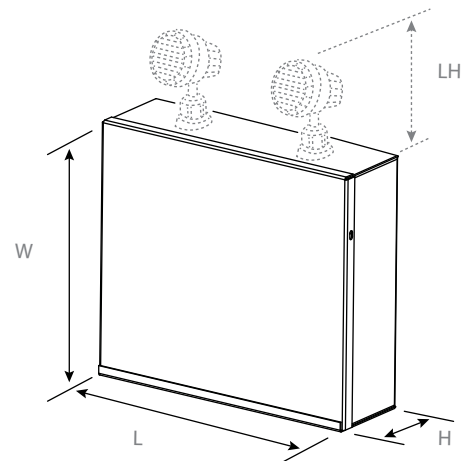
TL-EMRM



Features & Benefits

- 18 Gauge steel housing
- UL-94V-0 flame rating, fire-resistant
- Input Voltage: 120/277/347V
- Power consumption: 8W max.
- Output: 36W-95W max.
- With or without 2x2W heads, 12V / 6V sealed lead-acid battery
- Charging time: 24 hours
- Discharge time: 30 minutes
- Conversion time: <0.2second
- Damp location rated, IP Class: IP20, not intended for outdoor use
- 2-year limited warranty in commercial use from the date of purchase
- Operating temperature 10°C and +40°C

Dimensional Drawing



Ordering Information Example: TL-EMRM/90W/12VDC/0/120-347V

Family Name	Fixture Type	Models
TL (Turolight)	EMRM (Emergency Remote)	90W/12VDC/0/120-347V 90W/12VDC/2/120-347V 95W/12VDC/2/120-347V 36W/6VDC/2/120-347V

Product Specification

Ordering Code	Model Number	Description	Image	Watts (W)	HEADS	Input Voltage (V)	Mounting	Self Powered Battery	Damp Location	Dimensions L×W×H (inch) (LH) (inch)	Case QTY.
3466200	TL-EMRM/90W/12VDC/0/120-347V	Steel battery unit, output 12V 64W max		64W	0	120/277/347VAC	Wall	Yes (30 minutes)	Yes	10.2"×9.1"×3.27"	3
3466201	TL-EMRM/90W/12VDC/2/120-347V	Steel battery unit with 2×2W heads, output 12V 60W max		60W	2	120/277/347VAC	Wall	Yes (30 minutes)	Yes	10.2"×9.1"×3.27" (5")	3
3466202	TL-EMRM/95W/12VDC/2/120-347V	Steel battery unit with 2×2W heads, output 12V 95W max		95W	2	120/277/347VAC	Wall	Yes (30 minutes)	Yes	12.2"×7.87"×2.76" (3.55")	5
3465200	TL-EMRM/36W/6VDC/2/120-347V	Steel battery unit with 2×2W heads, output 6V 36W max		36W	2	120/277/347VAC	Wall	Yes (30 minutes)	Yes	11.8"×5.5"×2.95" (3.55")	10