



LED FIXTURE

SSL Series



LED Circular HighBay SSL-CHB

120-347V Auto-Sensing Driver
1-10V dimming
Multiple Wattage and Multiple Kelvin (CCT) Selection



Features & Benefits

cULus listed, DLC Premium

System light efficacy 140+ LPW

2 Fixture selection offers 18 solutions per fixture

Switchable CCT (30K/40K/50K), Switchable Wattage

White finish, with 10' power cord

1-10V DC dimming option

IP65 rated, wet location

Default Hook Mounting, Yoke Mount optional ordered separately

CRI≥80, L70@ 50,000 Hrs

Voltage 120-347V Auto-Sensing

90° Beam spread, PC Lens

Installed sensor socket allows for ease of sensor installation, sensor sold separately

Warranty

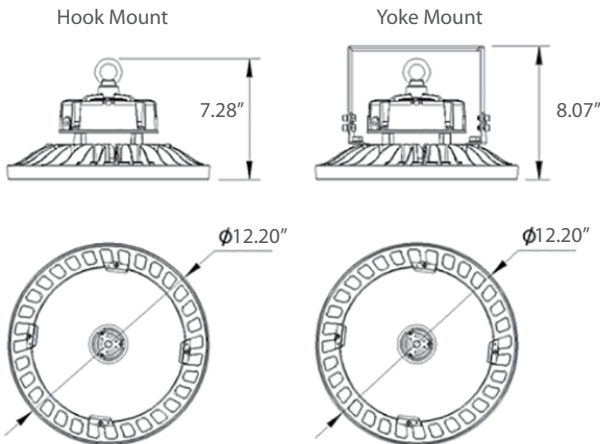
5-year limited warranty in commercial use from the date of purchase

Operating temperature range between -40°C and +55°C

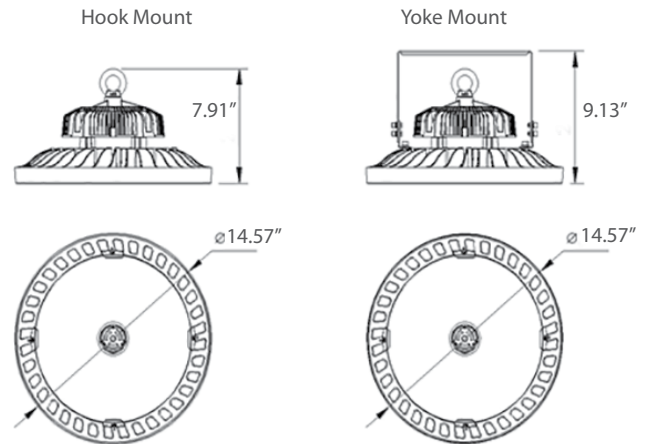
Applications

Warehouse/Manufacturing Facilities, Convention Centers/Sporting Arenas
Big-Box Retail Stores, Cold Storage Facilities, Gymnasiums

Dimensional drawing



SSL-CHB/150M



SSL-CHB/240L

LED Circular HighBay

SSL-CHB

Ordering Information Example: SSL-CHB/150M/MW/MK/120-347V/HK/D

Family Name	Fixture Type	Size	Wattage	CCT (Kelvin)	Voltage	Installation	Dimmable	Options
SSL (Solid State Lighting)	CHB (Circular Highbay)	150M (Max 150w Medium Size) 240L (Max 240w Large Size)	MW (Multi Wattage)	MK (Multi CCT)	120-347V	HK (Hook)	D (Dimmable)	SSL-CHB/LV/12V/SENSOR SSL-CHB/LV/12/CONTROLLER SSL-CHB/150M/PC/HOOD SSL-CHB/240L/PC/HOOD SSL-CHB/150M/PC/LENS SSL-CHB/240L/PC/LENS SSL-CHB/150M/WG SSL-CHB/240L/WG SSL-CHB/YOKE SSL-CHB/PEN/ADT

Product Specification

Ordering Code	DLC (Premium)	Model Number	Wattage (W)	Input Voltage (V)	Hour Rating	Initial Delivered Lumens (lumen)	CCT (K)	CRI	Optics/Distribution	Dimension DIA×H(inch)*	Case QTY.
3680300	Y	SSL-CHB/150M/MW/MK/120-347V/HK/D	150-120-90	120-347V	50,000	21841-17280-12950	30-40-50	≥80	Type V	12.20×7.28	1
3680301	Y	SSL-CHB/240L/MW/MK/120-347V/HK/D	240-210-180	120-347V	50,000	34994-30345-26037	30-40-50	≥80	Type V	14.57×7.91	1
3660159		SSL-CHB/LV/12V/SENSOR	SSL CHB HighBay LED 12V DC Microwave Sensor								
3660160		SSL-CHB/LV/12/CONTROLLER	SSL CHB HighBay 12V DC Microwave Sensor Remote Control (required for programming)								
3660161		SSL-CHB/150M/PC/HOOD	SSL CHB Polycarbonate Hood for 150M, 16.25" D x 6.3" H								
3660162		SSL-CHB/240L/PC/HOOD	SSL CHB HighBay Polycarbonate Hood for 240L, 18.9" D x 6.9" H								
3660163		SSL-CHB/150M/PC/LENS	SSL CHB HighBay Polycarbonate Lens for 150M, 16" D x 1.6" H								
3660164		SSL-CHB/240L/PC/LENS	SSL CHB HighBay Polycarbonate Lens for 240L, 18.7" D x 1.6" H								
3660165		SSL-CHB/150M/WG	SSL CHB HighBay Wire Guard for 150M								
3660166		SSL-CHB/240L/WG	SSL CHB HighBay Wire Guard for 240L								
3660167		SSL-CHB/YOKE	SSL CHB HighBay Optional Yoke Mount								
3660168		SSL-CHB/PEN/ADT	SSL CHB HighBay Optional 3/4" Pendant Adapter to be installed on Yoke Mount Bracket.								

*Height with Hook Mount



SSL-CHB/SENSOR



SSL-CHB/CONTROLLER



SSL-CHB/PC/HOOD



SSL-CHB/PC/LENS



SSL-CHB/WG



SSL-CHB/YOKE



SSL-CHB/PEN/ADT



Twist locked DC sensor
(sold separately)

