

LED FIXTURE

SSL Series



LED Linear High Bay SSL-LHB3

Offering quality lighting and excellent energy savings compared to linear fluorescent and HID high bay fixtures.



5-year limited warranty

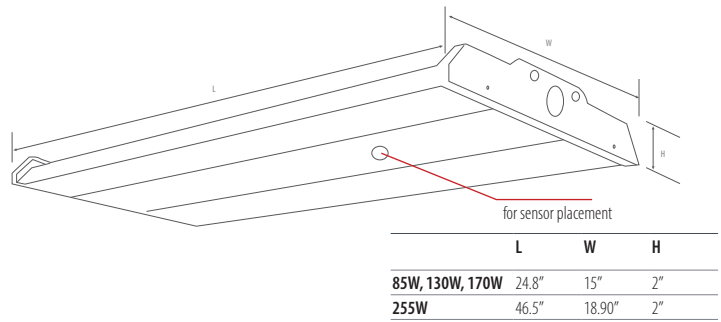
Operating temperature range -40° C ~ +50° C



Features & Benefits

- cUL listed, DLC (Premium)
- System light efficacy 130 LPW, 120-347V auto-sensing driver
- 10' white cord, 10' aircraft cable (set)
- Formed steel housing with white powder coat finish/ frosted lens
- Equipped with 12V receptacle, for microwave motion sensor option
- 0-10V dimming, product can dim down to 10%
- CRI≥80, 120° beam spread, L70 @ 100,000 hrs
- Damp location rated

Dimensional Drawing



Ordering Information Example: SSL-LHB3/85W/40/120-347V/AC/D

Family Name	Fixture Type	Wattage	CCT	Voltage (V)	Mounting	Dimmable	Options
SSL (Solid state lighting)	LHB3 (Linear high bay)	85W 130W 170W 255W	40 (4000K) 50 (5000K)	120-347V	AC (Aircraft cable 10' set)	D (0-10V dimming)	12V Microwave sensor (field install)

Product Specification

Ordering Code	DLC (Premium)	Model Number	Wattage (W)	Input Voltage(V)	Hour Rating	Initial Delivered Lumens (lumen)	CCT (K)	CRI	Dimension LxWxH(inch)	Case QTY.
3666307	Yes	SSL-LHB3/85W/40/120-347V/AC/D	85	120-347V	100,000	11475	4000	>80	24.8" x 15" x 2"	1
3666308	Yes	SSL-LHB3/85W/50/120-347V/AC/D	85	120-347V	100,000	11560	5000	>80	24.8" x 15" x 2"	1
3667300	Yes	SSL-LHB3/130W/40/120-347V/AC/D	130	120-347V	100,000	17550	4000	>80	24.8" x 15" x 2"	1
3667301	Yes	SSL-LHB3/130W/50/120-347V/AC/D	130	120-347V	100,000	17680	5000	>80	24.8" x 15" x 2"	1

LED Linear High Bay

SSL-LHB3

Ordering Code	DLC (Premium)	Model Number	Wattage (W)	Input Voltage(V)	Hour Rating	Initial Delivered Lumens (lumen)	CCT (K)	CRI	Dimension LxWxH(inch)	Case QTY.
3667302	Yes	SSL-LHB3/170W/40/120-347V/AC/D	170	120-347V	100,000	22950	4000	>80	24.8" x 15" x 2"	1
3667303	Yes	SSL-LHB3/170W/50/120-347V/AC/D	170	120-347V	100,000	23120	5000	>80	24.8" x 15" x 2"	1
3668301	Yes	SSL-LHB3/255W/40/120-347V/AC/D	255	120-347V	100,000	34425	4000	>80	46.5" x 18.9" x 2"	1
3668302	Yes	SSL-LHB3/255W/50/120-347V/AC/D	255	120-347V	100,000	34680	5000	>80	46.5" x 18.9" x 2"	1
3660192	-	SSL-LHB3/LV/12V/SENSOR2	SSL Linear highbay3 12V DC microwave sensor2							
3660193	-	SSL-LHB3/LV/12V/CONTROLLER2	SSL Linear highbay3 12V DC microwave sensor remote control2 (required for programing)							
3660142	-	SSL-LHB3/SWG	SSL Linear highbay3 long wire guard for 255W highbay							47.0" x 19.0" x 2"
-	-	SSL-LHB3/PDT/KIT	SSL Linear highbay3 pendant mounting hanger kit (1pcs)							
-	-	SSL-LHB3/SRF/KIT	SSL Linear highbay3 surface mounting kit. (2pcs)							
3660090	-	SSL-LHB2/MWG	SSL Linear highbay2 medium wire guard for 90W to 175W highbay & 85W to 170W LHB3 series							
3660091	-	SSL-LHB2/LWG	SSL Linear highbay2 large wire guard for 265W highbay							

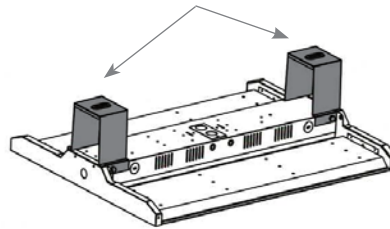
SSL-LHB3/LV/12V/CONTROLLER2



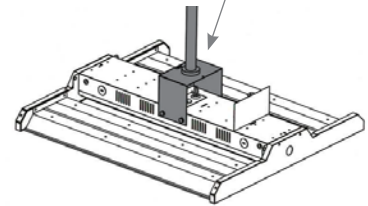
SSL-LHB3/LV/12V/SENSOR2



SSL-LHB3/SRF/KIT(2pcs)

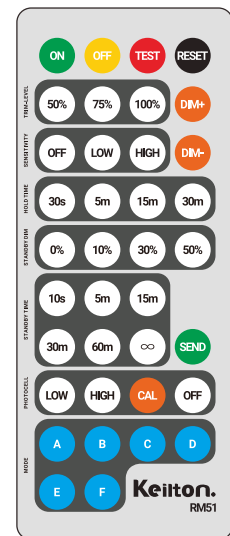


SSL-LHB3/PDT/KIT (1pcs)



Remote Instruction

ON	Turns on luminaires
OFF	Turns off luminaires
TEST	Test mode will last 5 mins then return to previous setting Test mode will hold time 2 seconds SDL 50% and standby time 2 seconds
RESET	See below for factory settings highlighted in yellow
DIM+/-	Remote will manually dim luminaire up or down by increments of 0.5volts. Must be smooth dimming if holding dimming button.
TRIM-LEVEL	Set maximum threshold value 50/ 75/ 100% (Default = 100%)
SENSITIVITY	OFF (PIR off enter PC ON/OFF function)/ LOW (50%)/ HIGH (100%) (Default = HIGH)
HOLD TIME	(Time of no occupancy after which fixture goes to standby) 30s/ 5min/ 15min/ 30min (Default = 5min)
F MODE DAYLIGHT HARVESTING	(Enable/ Disable) measure and set feature to allow the fixture to maintain a light level. If turned ON. (Default = Disabled)
STANDBY DIM	Select any standby dim level 0/ 10/ 30/ 50% (Default = 50%)
STANDBY TIME	Standby time - 10s/ 5min/ 15min/ 30min/ 1h/∞. "∞" means the standby time is infinite and the fixture is effectively controlled by the daylight sensor. (Default = 30min)
PHOTOCELL	LOW (10fc) and HIGH (50fc) settings (Default = Disabled) CAL collecting the current LUX level
MODE	Set settings to a program profile A to D
SEND	Send settings to sensor



NOTE:

- Microwave can penetrate walls or glass thinner than 20cm, movement in adjacent corridors may be detected.
- Detection area will be affected by speed of motion, mounting height and movement volume.
- Installation shall not be mounted to avoid false trigger caused by the luminaire itself shaking. (Rooftop HVAC, upper floor vibration, etc.)
- Shall not be installed next to large operating machines such as ventilator/ceiling fan to avoid false triggering caused by machine vibration.
- They cannot penetrate metal. Large metal object near the sensor may create a "dead zone" behind it.
- Microwave sensors have advantage over PIR device in that they can operate in hot environments, however, they are sensitive devices and can be prone to false detection by everyday items like ceiling fans, moving branches or curtains, loose packaging, etc.

Other options may be available, consult Turolight Sales. Specifications and data are subject to change without notice.
Microwave sensors should be tested before, if used in close proximity to Airports / Communication towers etc.