

LED FIXTURE

SSL Series



LED Security Motion Sensor Light SSL-J5S

Adjustable PIR motion sensor
Multiple Kelvin



5-year limited warranty

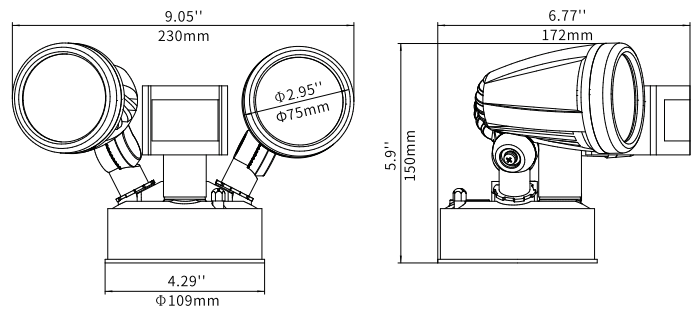
Operating temperature range -40° C ~ +40° C



Features & Benefits

- cULus listed
- 3 CCT adjustable, 120-277V
- Adjustable PIR motion sensor, 2 @10W adjustable heads and settings
- Wall mounting, CRI 70+
- Black/ White die-cast aluminium finish
- Beam angle 100°
- L70 @ 50,000 Hrs
- Wet location rated

Dimensional Drawing



Ordering Information Example: SSL-J5S/20W/MK/UNV/MS/BK

Family Name	Fixture Type	Wattage	CCT	Voltage	Sensor	Finish
SSL (Solid state lighting)	J5S (LED security motion sensor light)	20W	MK (Multi Kelvin/CCT)	UNV (120-277V)	MS (Motion sensor)	BK (Black) WH (White)

Product Specification

Ordering Code	Model Number	Wattage (W)	Input Voltage (V)	Hour Rating	Initial Delivered Lumens (lumen)	CCT (K)	CRI	Wet Location	Case QTY.
3663131	SSL-J5S/20W/MK/UNV/MS/WH	20	120-277V	50,000	2100	30-40-50	\geq 70	Yes	8
3663132	SSL-J5S/20W/MK/UNV/MS/BK	20	120-277V	50,000	2100	30-40-50	\geq 70	Yes	8