

LED FIXTURE

SSL Series



LED Security Motion Sensor Light SSL-J5S

Adjustable PIR motion sensor
Selectable kelvin



5-year limited warranty

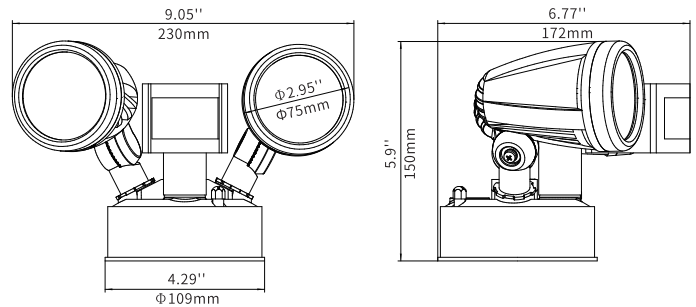
Operating temperature range -40°C ~ +40°C



Features & Benefits

- cETLus rated, DLC
- 3 CCT selectable, 120-277V
- Adjustable PIR motion sensor, 2 @10W adjustable heads and settings
- Wall mounting, CRI 70+
- Black/ White die-cast aluminium finish
- Beam angle 100°
- L70 @ 50,000 Hrs
- Wet location rated

Dimensional Drawing



Ordering Information Example: SSL-J5S/20W/MK/UNV/MS/BK

| Family Name | Fixture Type | Wattage | CCT | Voltage | Sensor | Finish |
|----------------------------|--|---------|----------------------------|----------------|--------------------|--------------------------|
| SSL (Solid state lighting) | J5S (LED security motion sensor light) | 20W | MK (Selectable Kelvin/CCT) | UNV (120-277V) | MS (Motion sensor) | BK (Black) WH (White) |

Product Specification

| Ordering Code | DLC | Model Number | Wattage (W) | Input Voltage (V) | Hour Rating | Initial Delivered Lumens (lumen) | CCT (K) | CRI | Wet Location | Case QTY. |
|---------------|-----|--------------------------|-------------|-------------------|-------------|----------------------------------|----------|-----|--------------|-----------|
| 3663131 | Y | SSL-J5S/20W/MK/UNV/MS/WH | 20 | 120-277V | 50,000 | 2200 | 30-40-50 | ≥70 | Yes | 8 |
| 3663132 | Y | SSL-J5S/20W/MK/UNV/MS/BK | 20 | 120-277V | 50,000 | 2200 | 30-40-50 | ≥70 | Yes | 8 |

DLC Certification

| Ordering # | Model Number | Primary Use | DLC Standard | DLC Premium |
|------------|--------------------------|---|--------------|-------------|
| 3663132 | SSL-J5S/20W/MK/UNV/MS/BK | Architectural Flood and Spot Luminaires | S-290CXI | - |