

LED FIXTURE

SSL Series



LED Adjustable Industrial Light SSL-JJA

Selectable kelvin, 120-347V auto-sensing driver
Adjustable wall or ceiling Mtd.



5-year limited warranty

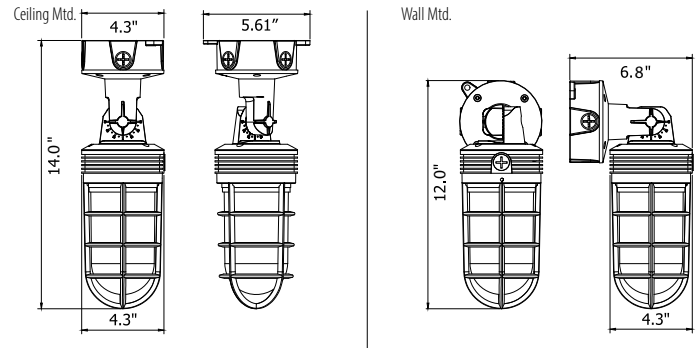
Operating temperature range -40° C ~ +40° C



Features & Benefits

- cULus listed, DLC
- Multi-wattage selector, 3 CCT selectable, 120-347V auto sensing driver
- Adjustable wall or ceiling Mtd.
- THD<20%, PF<0.9
- Grey die-cast aluminium finish, frosted globe
- L70 @ 50,000 Hrs, CRI≥70
- Wet location rated

Dimensional Drawing



Ordering Information Example: SSL-JJA/20W/MK/120-347V/GR

Family Name	Fixture Type	Wattage	CCT	Voltage	Finish
SSL (Solid state lighting)	JJA (LED adjustable industrial light)	20W (20-10W)	MK (Selectable Kelvin/CCT)	120-347V	GR (Grey)

Product Specification

Ordering Code	DLC	Model Number	Wattage (W)	Input Voltage (V)	Hour Rating	Initial Delivered Lumens (lumen)	CCT (K)	CRI	Wet Location	Case QTY.
3664310	Y	SSL-JJA/20W/MK/120-347V/GR	20-10	120-347V	50,000	2100-1050	30-40-50	≥70	Yes	2