

Installation Instruction

LED Area Light

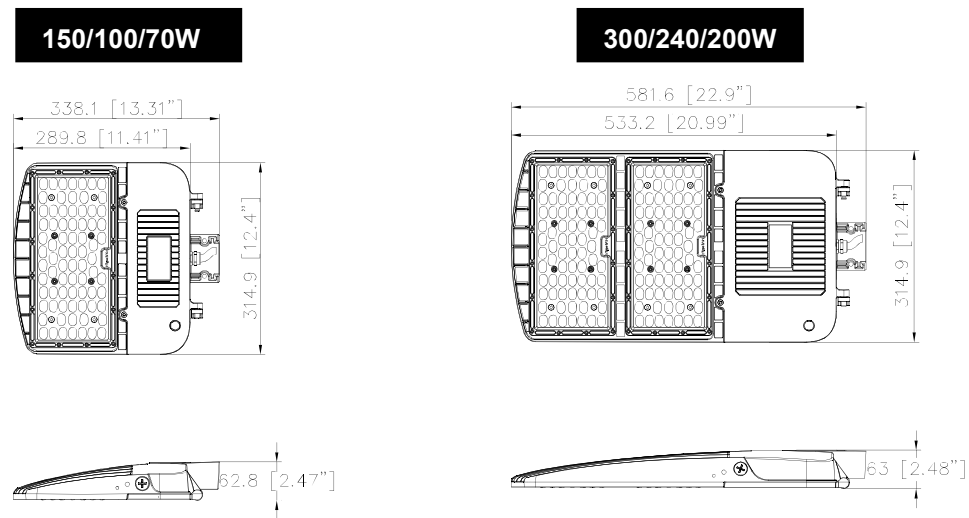
Applicable models:
SSL-AL3/T3

Cautions:

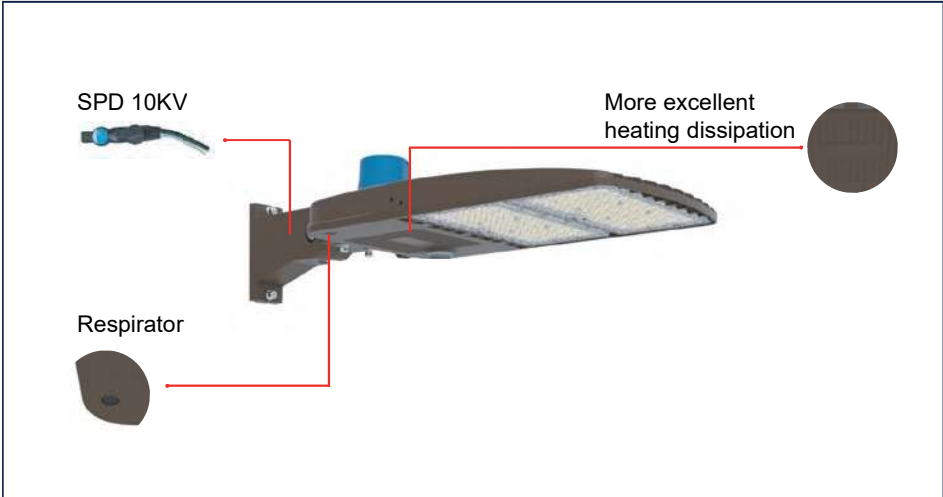
- 1 Can not use the electric generator to test the LED lamp.
- 2 Please abide by related country, regional and local law and regulations when installing this fixture.
- 3 To avoid electrical shock and damage, ensure that power is off at electrical panel before installing.

Notices:

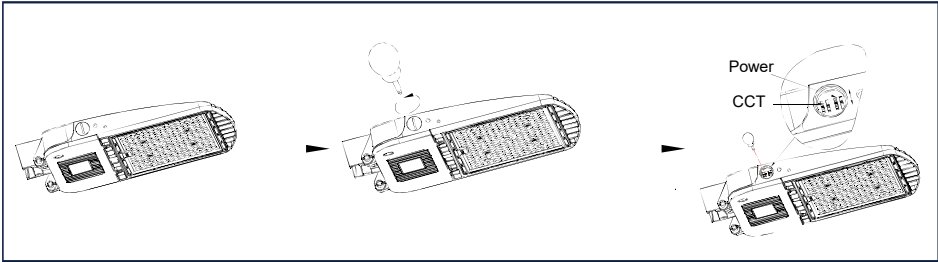
- 1 Install by a qualified licensed professional only.
- 2 This light can be used for outdoor installation.



Extended function:

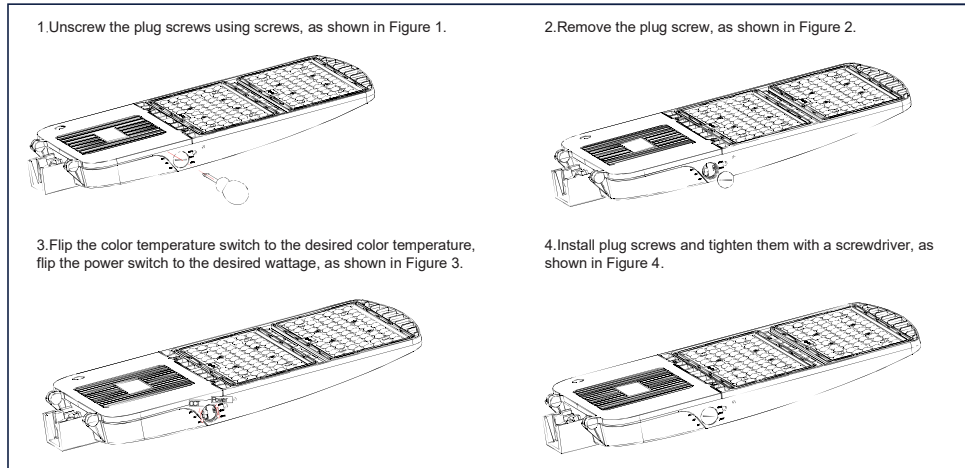


CCT / Wattage Selectable

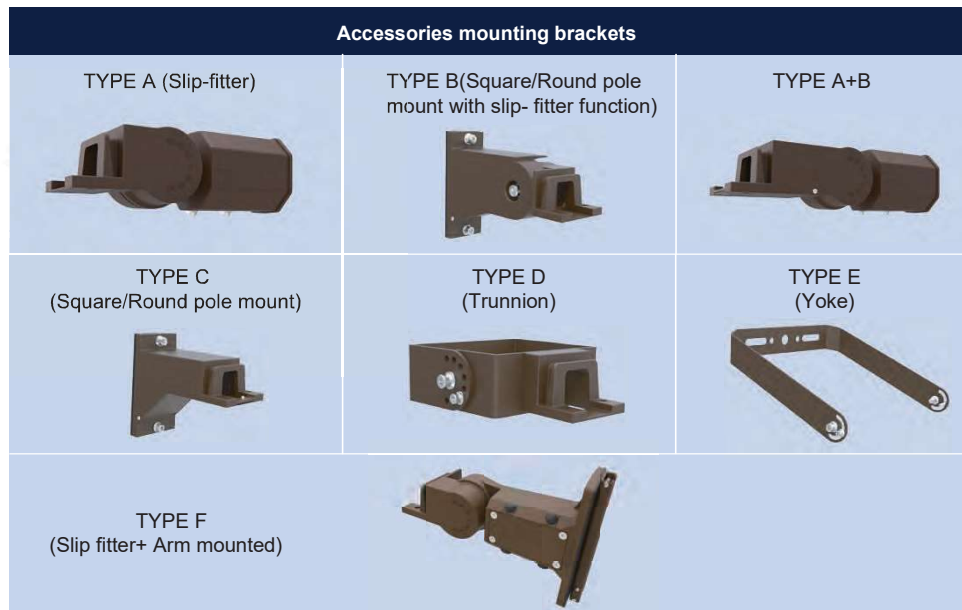


Installation Instruction

1. Adjust power and color temperature installation :



Product Application

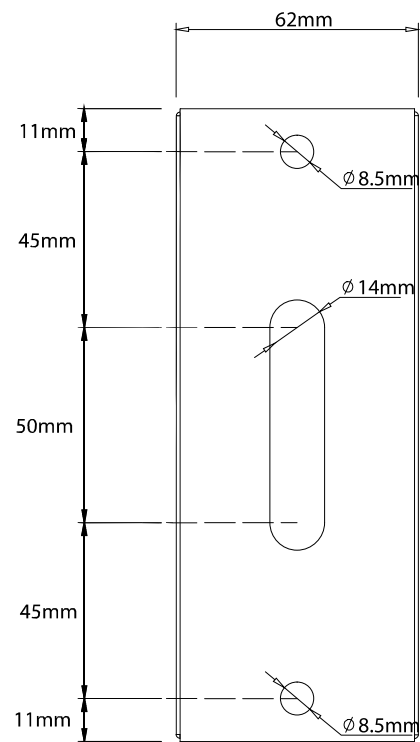
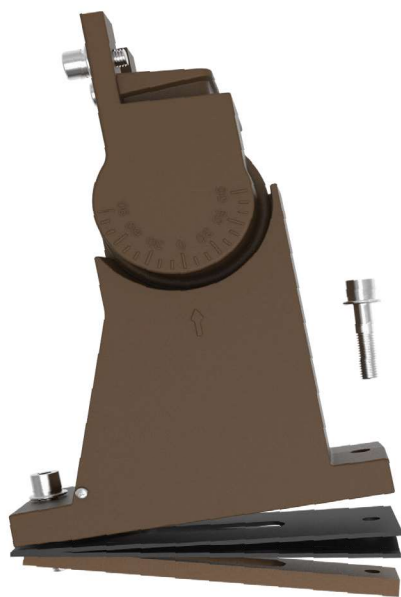


Dimensional Drawing

Type B, Square/Round pole mount with slip- fitter function bracket

Applicable models:
SSL-AL3/SQ-RD-POLE-MTG/DB

Use 2pcs M8*40 screws



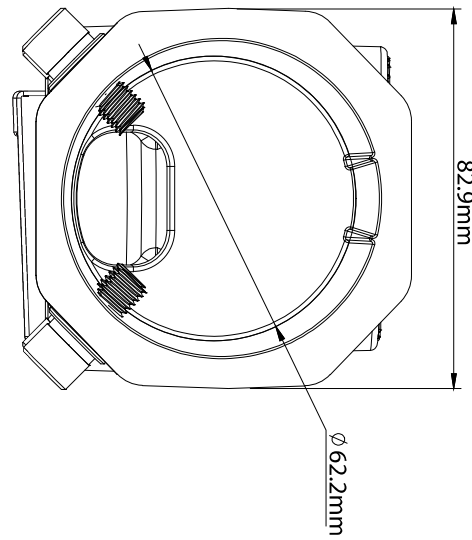
Dimensional Drawing

Type A, Slip-fitter bracket

Applicable models:
SSL-AL3/SSF-MTG/DB



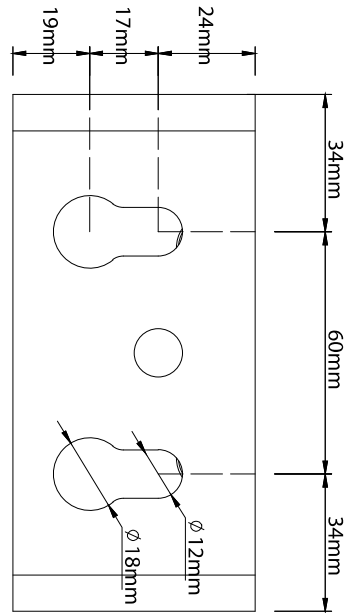
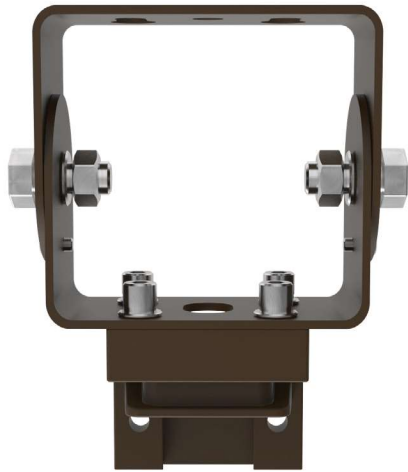
Use 4pcs M8*25 screws



Dimensional Drawing

Type D, Trunnion bracket

Applicable models:
SSL-AL3/TRUN-MTG/DB



Dimensional Drawing

Type E, Yoke bracket

Applicable models:
SSL-AL3/YOKES-MTG/DB

