

# LED Post Top



<b>EDA-PT</b>	<b>Segment</b>	<b>Wattage Range</b>	<b>Lumen Range</b>
	Commercial & Residential	Selectable Wattage (40-150W)	5,200-19,500lm

## Features

- Aesthetically Designed Post Top in Double Arm and Single Arm Variant with Pressure Die Cast Aluminum Housing.
- Efficacy of 130 lm/w with 120-347V Auto-Sensing Driver.
- IP65, Wet Location Rated with L70 @ 50,000 Hrs
- Compatible with 0-10V Dimming.
- Preinstalled Receptacle and Shorting Cap for ease of Photocell installation.

## Specifications

### Housing:

Pressure Die Cast Aluminum Housing in Black finish.

### Optics:

Premium Grade Polycarbonate Diffuser

### LED PCB:

Aluminum Based MCPCB for Long Life

### Driver:

120-347V LED Auto Sensing driver with Operating temperature range of -40° C ~ +45° C.

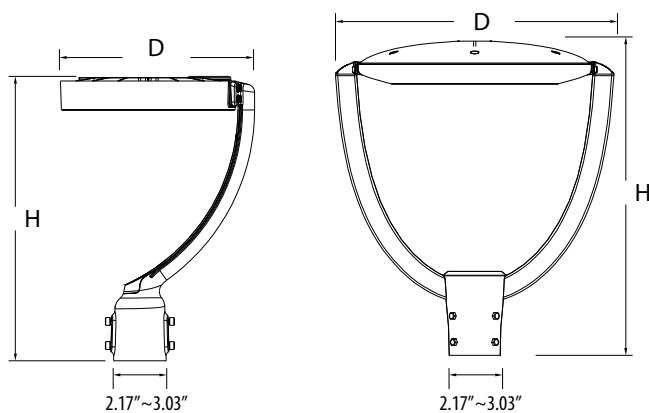
### LED:

Field Selectable 30-40-50K CCT .

### Controls:

0-10V Dimming

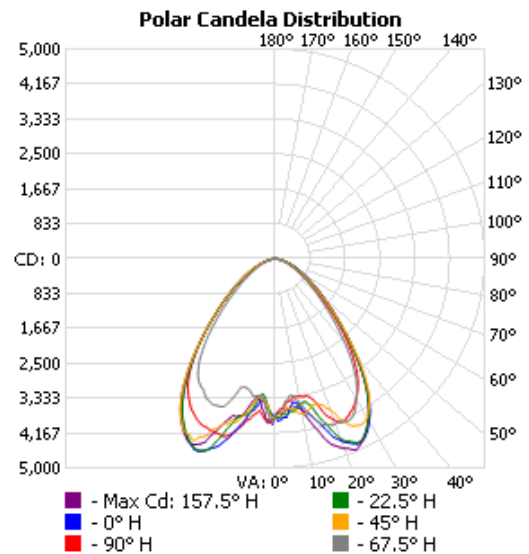
## Dimensional Drawing



	D	H
EDA-PT/DB/T5/150L	17.7"	23.6"
EDA-PT/DB/T5/75M	14.96"	20.68"
EDA-PT/SN/T5/100L	11.46"	18.52"



## Polar Candela



## Applications



Residential Complex



Parks



Golf Course

# LED Post Top



<b>EDA-PT</b>	<b>Segment</b>	<b>Wattage Range</b>	<b>Lumen Range</b>
	Commercial & Residential	Selectable Wattage (40-150W)	5,200-19,500lm

## Ordering Information Example: EDA-PT/DB/T5/150L/MW/MK/120-347V/BK/D/SCR

Family Name	Fixture Type	Shape	Light Distribution Type	Wattage	CCT	Voltage	Body Finish	Dimmable	Others	Accessories
EDA (ENDURA)	PT (Post Top)	DB (Double Arm) DB (Double Arm) SN (Single Arm)	T5 (Type V)	150L/MW (Selectable Wattage, Max. 150W) 75M/MW (Selectable Wattage, Max. 75W) 100L/MW (Selectable Wattage, Max. 100W)	MK (Selectable Kelvin/CCT)	120-347V	BK (Black)	D (0-10V)	SCR (Shorting Cap and Receptacle for PC)	EDA-PT/SN/T3/LENSL EDA-PT/SN/T2/LENSL

## Product Specification

Ordering Code	DLC Premium	Model Number	Wattage (W)	Input Voltage (V)	Hour Rating	Initial Lumens (lumen)	CCT (K)	CRI	Wet Location	Dimmable	Dimension D×H (inch)	Case QTY.
3682217	Yes	EDA-PT/DB/T5/150L/MW/MK/120-347V/BK/D/SCR	150-125-100	120-347V	50,000	19500-16250-13000	30-40-50	≥80	Yes	Y	17.7" × 23.6"	1
3682112	Yes	EDA-PT/DB/T5/75M/MW/MK/120-347V/BK/D/SCR	75-60-40	120-347V	50,000	9750-7800-5200	30-40-50	≥80	Yes	Y	14.96" × 20.68"	1
3682218	Yes	EDA-PT/SN/T5/100L/MW/MK/120-347V/BK/D/SCR	100-70-40	120-347V	50,000	13000-9100-5200	30-40-50	≥80	Yes	Y	11.46" × 18.52"	1
3660231	-	SSL-AL3/120-347V/PC	SSL-AL3 & EDA-PT Series, 120-347V Photocell Sensor									
3660268	-	EDA-PT/SN/T3/LENSL	Type 3 Lens for PT/SN/100L Optic.									
3660269	-	EDA-PT/SN/T2/LENSL	Type II Lens for PT/SN/100L Optic.									

## DLC Certification

Ordering #	Model Number	Primary Use	DLC Standard	DLC Premium
3682112	EDA-PT/DB/T5/75M/MW/MK/120-347V/BK/D/SCR	Outdoor Pole/Arm-Mounted Decorative Luminaires	-	S-AB1HLX
3682218	EDA-PT/SN/T5/100L/MW/MK/120-347V/BK/D/SCR	Outdoor Pole/Arm-Mounted Decorative Luminaires	-	S-TRPKAB
3682217	EDA-PT/DB/T5/150L/MW/MK/120-347V/BK/D/SCR	Outdoor Pole/Arm-Mounted Decorative Luminaires	-	S-W71MX6