

LED Post Top



| | | | |
|---------------|--------------------------|------------------------------|--------------------|
| EDA-PT | Segment | Wattage Range | Lumen Range |
| | Commercial & Residential | Selectable Wattage (40-150W) | 5,200-19,500lm |

Features

- Aesthetically Designed Post Top in Double Arm and Single Arm Variant with Pressure Die Cast Aluminum Housing.
- Efficacy of 130 lm/w with 120-347V Auto-Sensing Driver.
- IP65, Wet Location Rated with L70 @ 50,000 Hrs
- Compatible with 0-10V Dimming.
- Preinstalled Receptacle and Shorting Cap for ease of Photocell installation.

Specifications

Housing:

Pressure Die Cast Aluminum Housing in Black finish.

Optics:

Premium Grade Polycarbonate Diffuser

LED PCB:

Aluminum Based MCPCB for Long Life

Driver:

120-347V LED Auto Sensing driver with Operating temperature range of -40° C ~ +45° C.

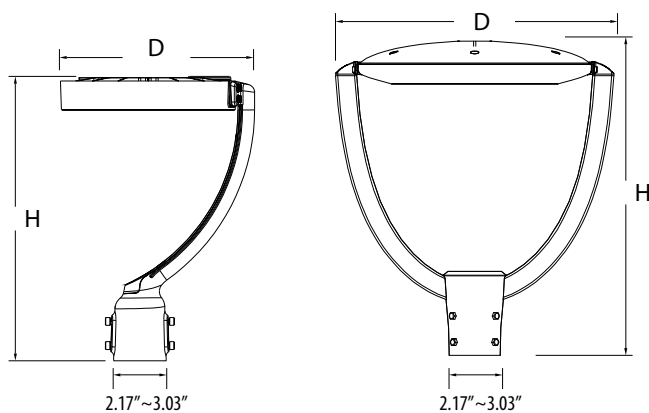
LED:

Field Selectable 30-40-50K CCT .

Controls:

0-10V Dimming

Dimensional Drawing



| | D | H |
|-------------------|--------|--------|
| EDA-PT/DB/T5/150L | 17.7" | 23.6" |
| EDA-PT/DB/T5/75M | 14.96" | 20.68" |
| EDA-PT/SN/T5/100L | 11.46" | 18.52" |

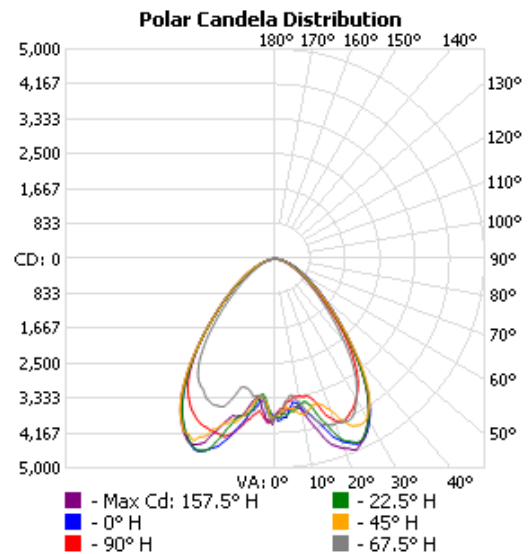


EDA-PT/SN

EDA-PT/DB



Polar Candela



Applications



Residential Complex



Parks



Golf Course

LED Post Top



| | | | |
|---------------|--------------------------|------------------------------|--------------------|
| EDA-PT | Segment | Wattage Range | Lumen Range |
| | Commercial & Residential | Selectable Wattage (40-150W) | 5,200-19,500lm |

Ordering Information Example: EDA-PT/DB/T5/150L/MW/MK/120-347V/BK/D/SCR

| Family Name | Fixture Type | Shape | Light Distribution Type | Wattage | CCT | Voltage | Body Finish | Dimmable | Others | Accessories |
|--------------|---------------|---|-------------------------|---|----------------------------|----------|-------------|-----------|--|--|
| EDA (ENDURA) | PT (Post Top) | DB (Double Arm) DB (Double Arm) SN (Single Arm) | T5 (Type V) | 150L/MW (Selectable Wattage, Max. 150W) 75M/MW (Selectable Wattage, Max. 75W) 100L/MW (Selectable Wattage, Max. 100W) | MK (Selectable Kelvin/CCT) | 120-347V | BK (Black) | D (0-10V) | SCR (Shorting Cap and Receptacle for PC) | EDA-PT/SN/T3/LENSL EDA-PT/SN/T2/LENSL |

Product Specification

| Ordering Code | DLC | Model Number | Wattage (W) | Input Voltage (V) | Hour Rating | Initial Lumens (lumen) | CCT (K) | CRI | Wet Location | Dimmable | Dimension D×H (inch) | Case QTY. |
|---------------|-----|---|--|-------------------|-------------|------------------------|----------|-----|--------------|----------|----------------------|-----------|
| 3682217 | Yes | EDA-PT/DB/T5/150L/MW/MK/120-347V/BK/D/SCR | 150-125-100 | 120-347V | 50,000 | 19500-16250-13000 | 30-40-50 | ≥80 | Yes | Y | 17.7" × 23.6" | 1 |
| 3682112 | Yes | EDA-PT/DB/T5/75M/MW/MK/120-347V/BK/D/SCR | 75-60-40 | 120-347V | 50,000 | 9750-7800-5200 | 30-40-50 | ≥80 | Yes | Y | 14.96" × 20.68" | 1 |
| 3682218 | Yes | EDA-PT/SN/T5/100L/MW/MK/120-347V/BK/D/SCR | 100-70-40 | 120-347V | 50,000 | 13000-9100-5200 | 30-40-50 | ≥80 | Yes | Y | 11.46" × 18.52" | 1 |
| 3660231 | - | SSL-AL3/120-347V/PC | SSL-AL3 & EDA-PT Series, 120-347V Photocell Sensor | | | | | | | | | |
| 3660268 | - | EDA-PT/SN/T3/LENSL | Type 3 Lens for PT/SN/100L Optic. | | | | | | | | | |
| 3660269 | - | EDA-PT/SN/T2/LENSL | Type II Lens for PT/SN/100L Optic. | | | | | | | | | |

Related Products



SSL-AL3



SSL-WP1TS



SSL-FL



SSL-MAL