

Installation Instruction

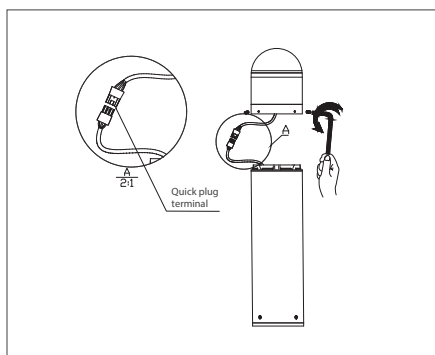
LED Bollard

EDA-BOL

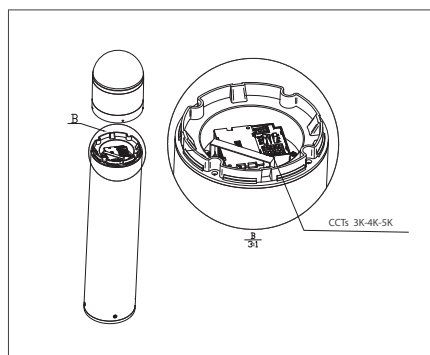


IMPORTANT

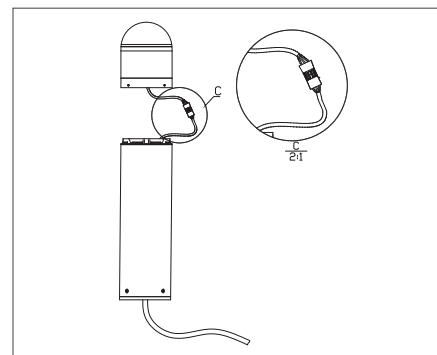
READ CAREFULLY BEFORE INSTALLING FIXTURE. RETAIN THESE INSTRUCTIONS FOR FUTURE REFERENCE.
 Turolight Products must be wired in accordance with the National Electrical Code and all applicable local codes. Proper grounding is required for safety. THIS PRODUCT MUST BE INSTALLED IN ACCORDANCE WITH THE APPLICABLE INSTALLATION CODE BY A PERSON FAMILIAR WITH THE CONSTRUCTION AND OPERATION OF THE PRODUCT AND THE HAZARDS INVOLVED.
 WARNING: Make certain power is OFF before installing or maintaining fixture. No user serviceable parts inside.
 WARNING: Must be installed on a level surface, above grade.



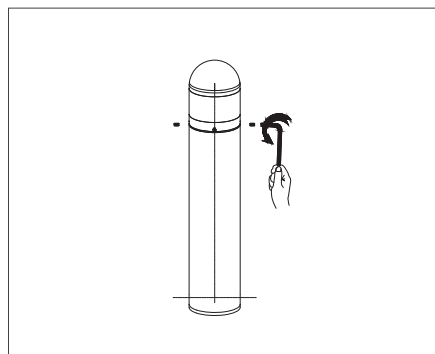
1. Unplug the quick plug terminal



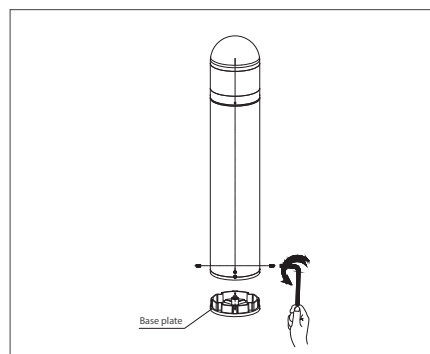
2. Color temperature adjustment, 3K 4k 5K



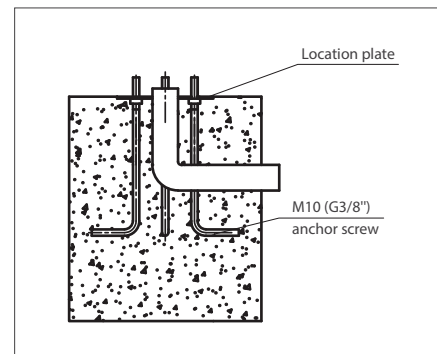
3. Merge quick plug-in terminals



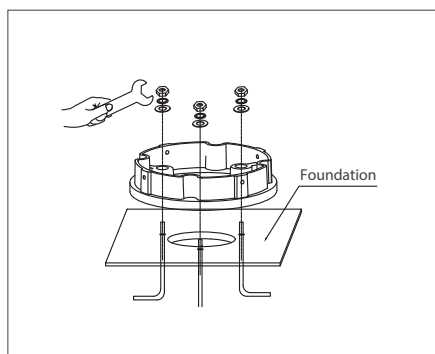
4. Assemble the lamp head and lamp body, and tighten the 4 bolts with a 3mm hexagonal wrench



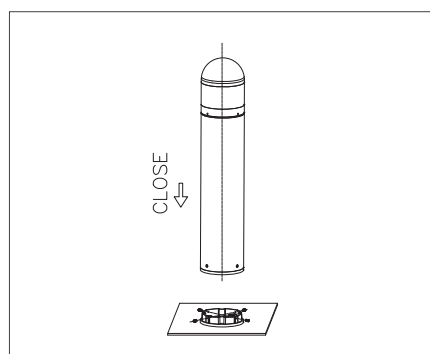
5. Loosen 4 bolts with a 3mm hex wrench, and disassemble the lamp body and base



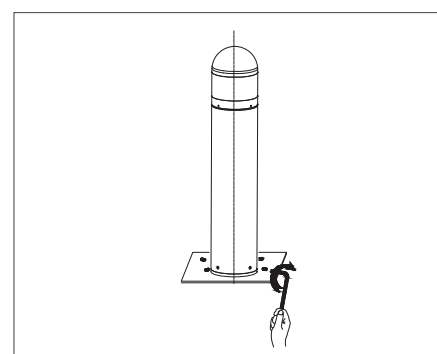
6. Put 3 pre-embedded M10 iron rods and 1 positioning board on the cement foundation



7. Put in the $\phi 10$ spring washer, $\phi 10$ flat washer, and M10 bolts, and then tighten the 3 bolts with a wrench



8. Merge the assembled lamp body and base together



9. Tighten the 4 bolts with a 3mm hex wrench

Installation Instruction

LED Bollard

EDA-BOL

ON-OFF WIRING

Universal voltage driver permits operation at 120V thru 347V, 50 or 60 Hz. For non-dimming, follow the wiring directions in Fig. 1.

1. Connect the black fixture lead to the LINE supply lead.
2. Connect the white fixture lead to the COMMON supply lead.
3. Connect the GROUND wire from fixture to supply ground.

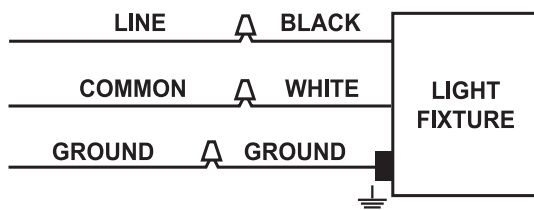


Fig: 1

0-10V DIMMABLE WIRING

Universal voltage driver permits operation at 120V thru 347V, 50 or 60 Hz. For 0-10V Dimming, follow the wiring directions in Fig. 2.

1. Connect the black fixture lead to the LINE supply lead.
2. Connect the white fixture lead to the COMMON supply lead.
3. Connect the GROUND wire from fixture to supply ground. Do NOT connect the GROUND of the dimming fixture to the output.
4. Connect the violet fixture lead to the DIM+ lead.
5. Connect the Pink fixture lead to the DIM- lead.
6. Cap the yellow Brown fixture lead, if present. Do NOT connect.

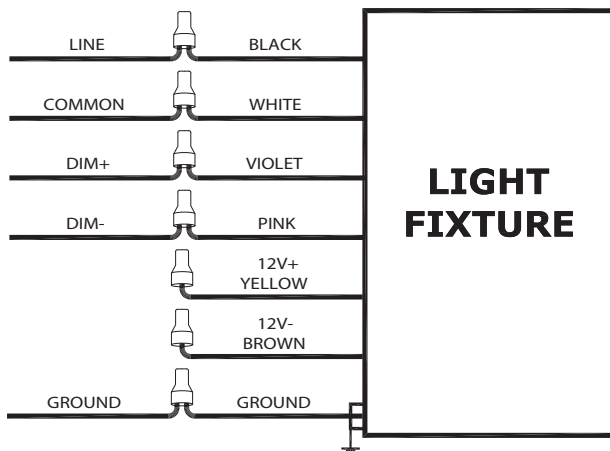


Fig: 2

ACCESSORIES *(sold separately)*

EDA-BOL/ANCHOR-SET

(Bollard Anchor Bolt Assembly (3 Anchor/Bolts w/ JigTemplate))

TROUBLESHOOTING

1. Check that the line voltage at the fixture is correct. Refer to wiring directions.
2. Is the fixture grounded properly?

CLEANING & MAINTENANCE

CAUTION: Be sure fixture temperature is cool enough to touch. Do not clean or maintain while fixture is energized.

1. Clean lens with non-abrasive cleaning solution.
2. Do not open fixture to clean the LED. Do not touch the LED.

Note: These instructions do not cover all details or variations in equipment nor do they provide for every possible situation during installation, operation or maintenance.

Installation Instruction

LED Bollard

EDA-BOL

ANCHOR BOLT TEMPLATE FOR EDA-BOL BOLLARD

