

Installation Instruction

LED Round High Bay

Applicable models:
SEL-RHB

Cautions:

1. Do not use any electric generator to test the LED light.
2. Please abide by related country, regional and local law and regulations when installing this fixture.
3. Please turn off the power before installation or maintenance.
4. Proper grounding of LED light is required to ensure safety.

Notice:

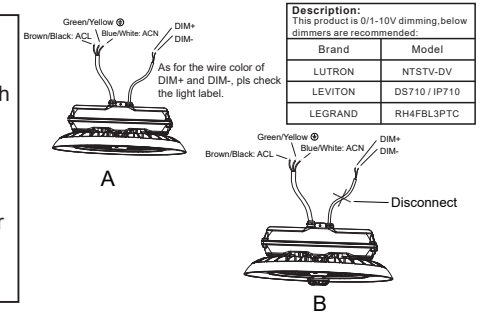
1. To avoid possibility of electrical shock or fire, the installation must be done by a Electrician.
2. Please wear gloves to avoid injury before installation.
3. If there is any smoke or spark observed in the wiring, please turn off the power immediately and notify relevant personnel.
4. Please use listed water proof strain relief bushing when connecting the supply cord to the outlet box.

Attention:

1. Please check if there is any damage during shipping. If so, please contact manufacturer timely.
2. Please read the installation instruction carefully to check whether all the accessories are available. After confirmation, install the led light according to installation steps.

Wiring Diagram & Instruction:

This LED highbay light can be equipped with optional DC motion sensor, and is available with 0/1-10V dimming function, with following 3 dimming solutions:
0/1-10V dimming,
Intelligent dimming with DC motion sensor,
Pre-install tool-free handling DC motion sensor dimming module, and choose dimming module, and choose dimming function freely.



Please use dimming+, dimming-(DC 10V) marking leads to connect outside dimmer. The pink wire and black wire with shrinkable tubing shall not be damaged (no connection).
Class 1 Wiring Only.
Please assure a cumulative leakage current of less than 3.5mA on the control circuit.

Installation Methods: Hook Mount, Ceiling Mount, 1/2" NPT Mount. (Please choose the most suitable installation method for the purchased product as per your needs)

Hook mount:

1. Screw the hook into the fixture. tighten and fix it. (Figure1)
2. Hang the fixture on the ceiling hook or chain. (Figure2)
3. After installation, connect the wire of the fixture to the mains according to the local wiring rules, ensure the connection is stable. And make good protection on the connection.

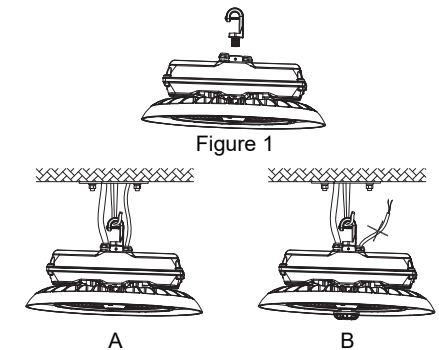


Figure 2

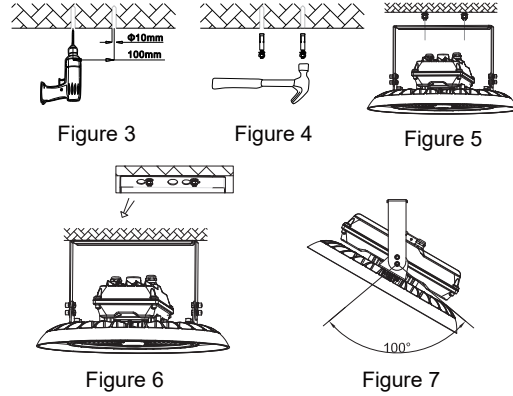
Installation Instruction

LED Round High Bay

Applicable models:
SEL-RHB

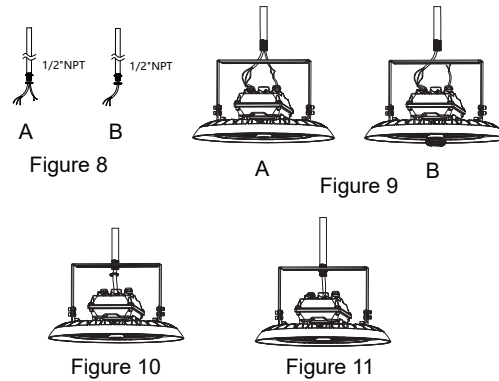
Ceiling Mount:

1. Mark with a mark pen or sharp tool on the mounting surface and drill. (Figure3)
2. Fix screw into the hole with a hammer. (Figure4)
3. Align the bracket with screw hole(Figure5) and push the fixture to one side(Figure6) and fix it.
4. After installation, connect the wire of the fixture to the mains according to local wiring rules,ensure the connection is stable and make Good protection on connection.By adjusting the brackets screws,user can adjust 50° to the left or right vertically. (Figure7)



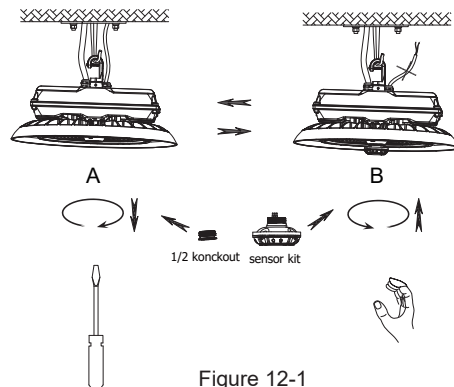
1/2" NPT Mount

1. Unscrew the nuts on 1/2" NPT. (Figure8)
2. Insert 1/2" NPT stem into the bracket hole. (Figure9)
3. Re-screw the nuts. (Figure10)
4. After installation, connect the wire of the fixture to the mains according to local wiring rules,ensure the connection is stable and make Good protection on connection.By adjusting the brackets screws,user can adjust 50° to the left or right vertically. (Figure11)



Installation of DC motion sensor

Figure 12-1. If fixture has sensor receptacle installed, screw the 1/2" Knockout out with screw driver by illustrated direction, and screw the sensor kit on. The sensor is set as universal mode(refer to sensor spec sheet), the setting is programmable via remote control(the remote control is not included in standard packing).



Installation Instruction

LED Round High Bay

Applicable models:
SEL-RHB

Optional Function

The fixture has integrated function of 3 Power selectable. The setting could be customized. Operation: Take away the water-proof gasket, adjust dip switch to choose Power as per sign. The original setting could be either as factory default or customized request(Figure 12-2).

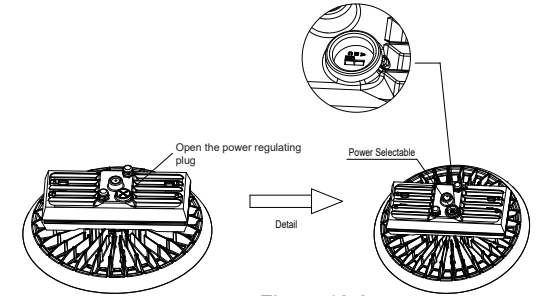


Figure 12-2

Notes: If there is a safety rope in the accessory kit, please fix one end of the safety rope to the screw hole on the back of the fixture, after installation finished, fix the other end of the safety rope to the post of mounting end.