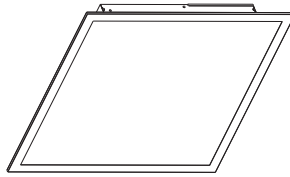


### CCT & Wattage Selectable



#### SAFETY INFORMATION

Please read and understand this entire manual before attempting to assemble, operate or install the product. Failure to do so could lead to electric shock, fire or other injuries that could be hazardous or even fatal.

- Be sure the electricity to the wires you are working on is shut off. Either remove the fuse or turn off the circuit breaker.
- Changes or modifications not expressly approved by the party responsible for compliance could void the user's authority to operate the equipment.

#### CAUTION:

- The fixture body is one piece. Do not disassemble it.
- This panel fixture can be used with most dimmers that operate on a 0-10v system.
- Do not apply pressure on the panel face, please handle the fixture around the outer frame (metal trim housing). Damage to LEDs may occur if excessive force is applied to central panel face.

#### SAFETY INFORMATION

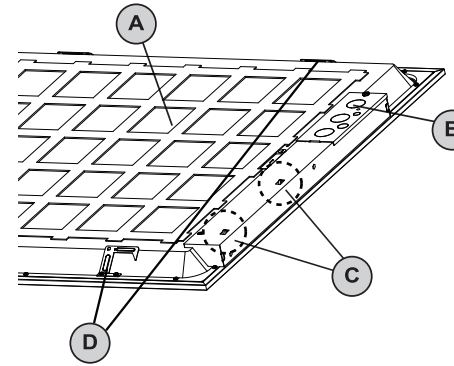
#### NOTICE

This device complies with Part 15 of the FCC Rules. Operation is subject to the following two conditions: (1) This device may not cause harmful interference, and (2) this device must accept any interference received, including interference that may cause undesired operation.

This equipment has been tested and found to comply with the limits for a Class B digital device, pursuant to part 15 of the FCC Rules. These limits are designed to provide reasonable protection against harmful interference in a residential installation. This equipment generates, uses and can radiate radio frequency energy and, if not installed and used in accordance with the instructions, may cause harmful interference to radio or television reception, which can be determined by turning the equipment the equipment off and on. The user is encouraged to try to correct the interference by one or more of the following measures:

- Reorient or relocate the receiving antenna.
- Increase the separation between the equipment and the receiver.
- Connect the equipment into an outlet on a circuit different from that to which the receiver is connected.
- Consult the dealer or an experienced radio/TV technician for help.

#### PACKAGE CONTENTS

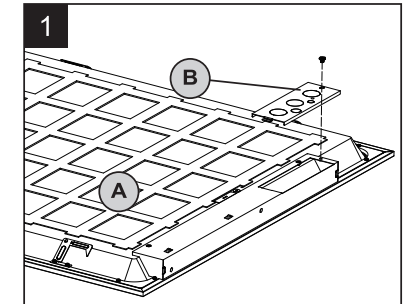


Part	Item Name	Qty.
A	Fixture body	1
B	Input wiring compartment	1
C	CCT and wattage selection switches	2
D	Safety hooks	4
AA	Wire nuts	5

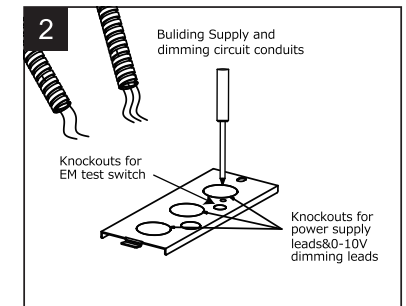


#### INSTALLATION INSTRUCTIONS

1. Locate the Driver Compartment access panel (B) and remove the screw to open the access panel, set screw aside.



2. Route building supply wires through one of the conduit knock out and secure conduit to access panel with adapter (not supplied). Note that 2 knockouts are available for routing building power supply leads, and one (1) knockout is available for connection of optional low voltage 0-10v dimming leads.



**NOTE:** When handling the fixture, do not apply pressure to the panel face, please position the fixture using only the outer edge of the metal frame.

# Installation Instruction

## LED Back-lit Panel

Applicable models:  
RGD-BLP6/MW/MK

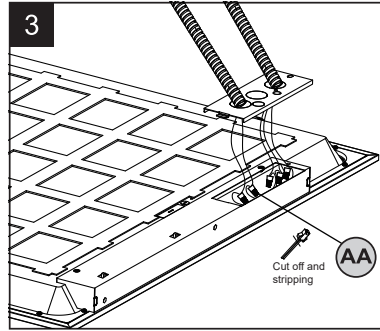
### INSTALLATION INSTRUCTIONS

3. Connect the fixture wires to the supply wires - black to black (Line), white to white (Neutral), and green to green (Ground).

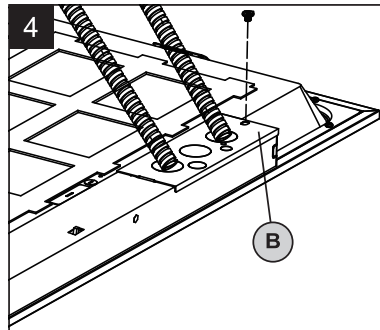
If dimming will be enabled, connect the pink and purple wires to the supply dimming leads as well.

Once wire connections are made, secure each with a wire nut (AA).

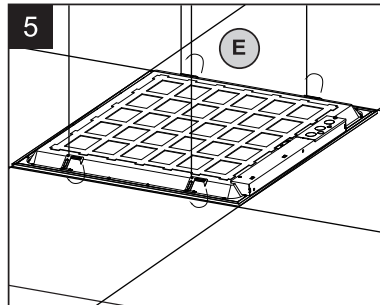
**Note:** To adjust the light, you need to cut the terminal and connect it after stripping the cable.



4. Tuck the wires and wire nuts (AA) into each respective compartment. Replace the Driver Compartment access panel (B), avoiding any pinched wires, and secure the panel with screw.



5. Pass the entire fixture above the suspended ceiling grid and align the fixture so that the perimeter of the front lens sits flush and secure on the T-grid lip. Fold out each of the 4 safety anchor points (E) and loop safety wires through each anchor and secure to building structure.



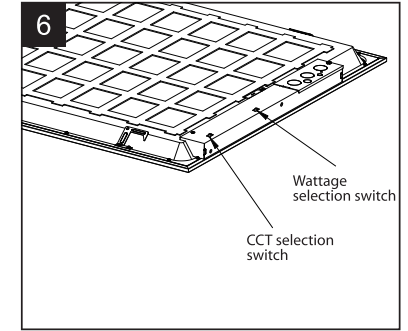
# Installation Instruction

## LED Back-lit Panel

Applicable models:  
RGD-BLP6/MW/MK

### INSTALLATION INSTRUCTIONS

6. **Optional:** Select the desired color temperature (CCT) by using the CCT selection switch on the wiring compartment enclosure by setting the switch position to the desired CCT value as marked. The overall fixture wattage may also be set by using the wattage selection switch by setting the switch position to the desired wattage value as marked.



### CARE AND MAINTENANCE

Clean with a mild, non-abrasive glass cleaner and soft cloth. Do NOT use solvents or cleaners containing abrasive agents. When cleaning the fixture, make sure the power is turned off, and any liquid spray should be applied to the cleaning cloth and not sprayed directly onto the fixture itself.

### TROUBLESHOOTING

Problem	Possible Solution	Corrective Action
Fixture does not light.	1. Power is off. 2. Incorrect wire connection. 3. Defective wall switch.	1. Check circuit breaker or wall switch. 2. Check wire splices. 3. Replace switch.
Circuit breaker trips when light is turned on.	Crossed wires or power wire is grounded out.	Verify wires are correctly connected.

### WARRANTY

This fixture is warranted to perform free from defects for five (5) years.