

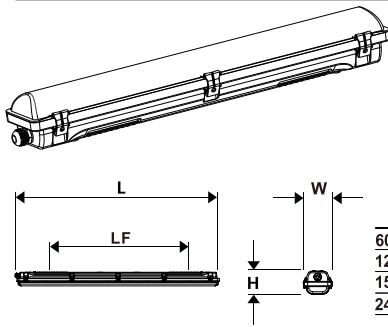
Installation Instruction

LED Vapor Tight

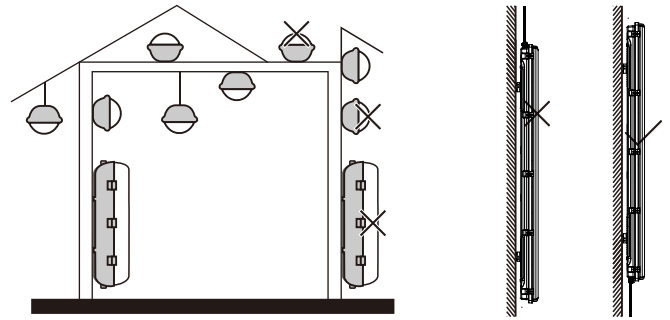
Applicable models:
DL-VT3, DL-VT2

AC120-347V 50/60Hz

IP66

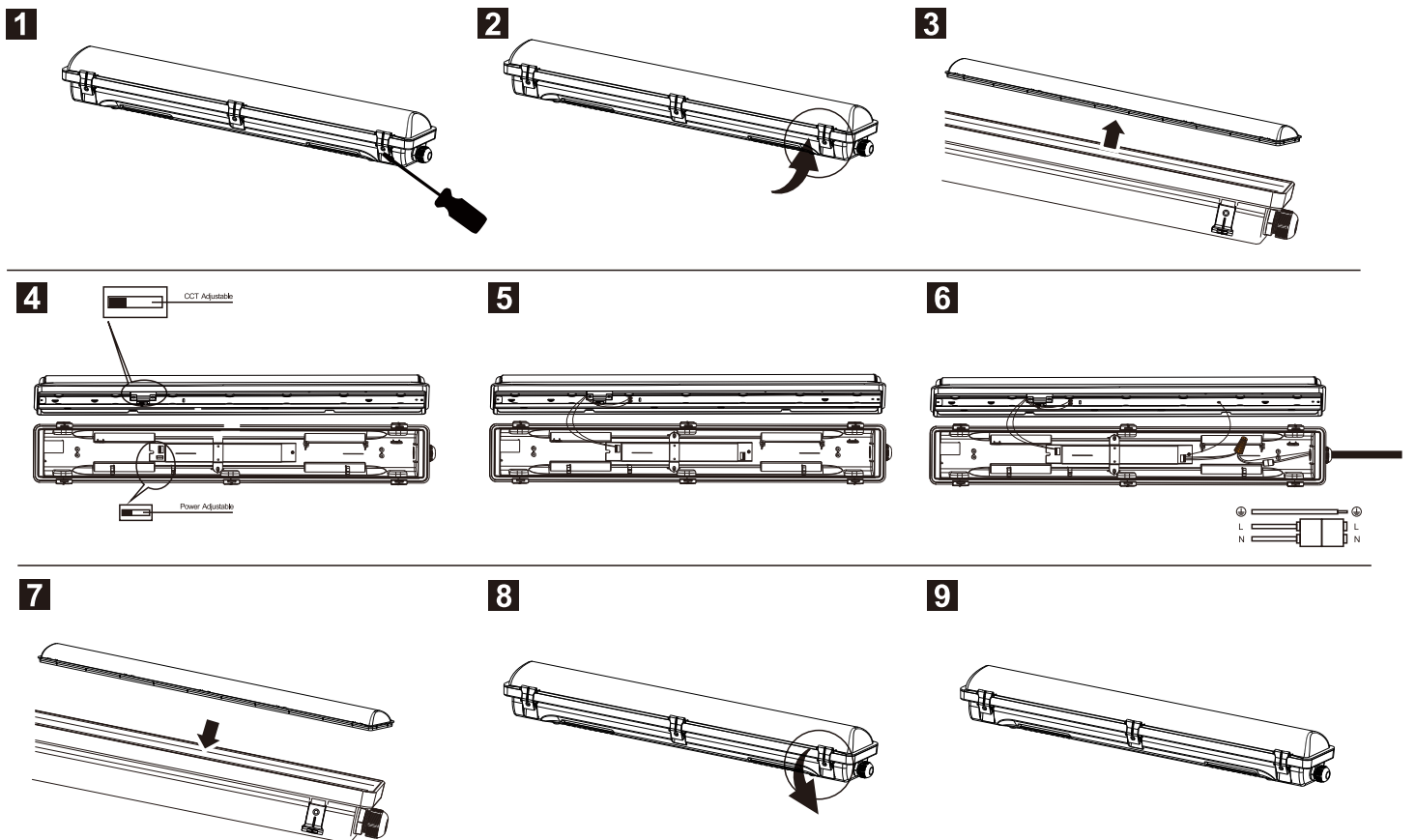
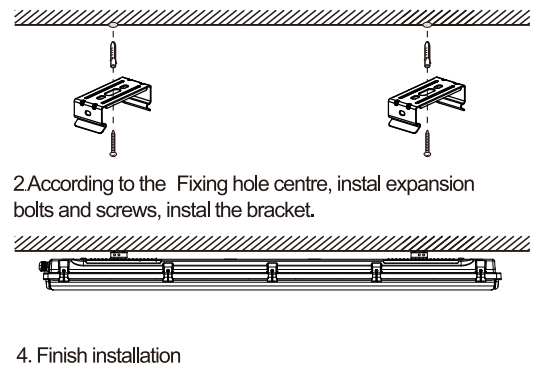
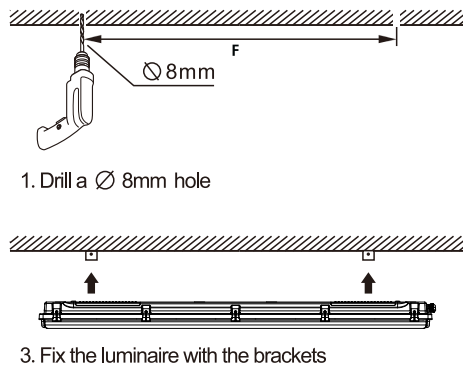


	L	W	H	LF
600mm	662	99	90	346
1200mm	1211	99	90	780
1500mm	1511	99	90	1080
2400mm	2395	99	90	1998



! WARNING

- 1 Installation should be done by registered electricians.
- 2 Never touch the working luminaire
- 3 In any case of malfunction, switch off the power supply immediately, and do not try to repair it yourself.
- 4 Repair should only be done by registered electricians or official service agent.



! WARNING

Switch off the power supply before installation

