

Installation Instruction

ASTELLA series Track Head

Applicable models:

AST-TRH

H-type, Single Circuit

WARNING

1. Be sure the electricity to the wires you are working on is shut off: either the fuse is removed or the circuit breaker is turned off. Turning the power off using the light switch is not sufficient to prevent electrical shock.
2. DO NOT install or use the light fixture if any part is missing or damaged. Contact your dealer for replacement or missing parts.
3. For use with ceiling mounted track only.

IMPORTANT SAFETY INSTRUCTIONS

1. Read all instructions.
2. DO NOT install this track system in damp or wet locations.
3. DO NOT install any part of a track system less than 5 feet above the floor.
4. DO NOT install any luminaire assembly closer than 6 inches from any curtain, or similar combustible material.
5. Disconnect electrical power before adding to or changing the configuration of the track system.
6. DO NOT attempt to energize anything other than lighting track luminaires on the track. To reduce the risk of fire and electric shock, DO NOT attempt to connect power tools, extension cords, appliances, and the like to the track.
7. DO NOT connect a track to more than one branch circuit unless the track is constructed so that it can be used with more than one branch circuit. Check with a qualified electrician. Although the track lighting system may seem to operate acceptably, a dangerous overload of the neutral may occur and result in a risk of fire.

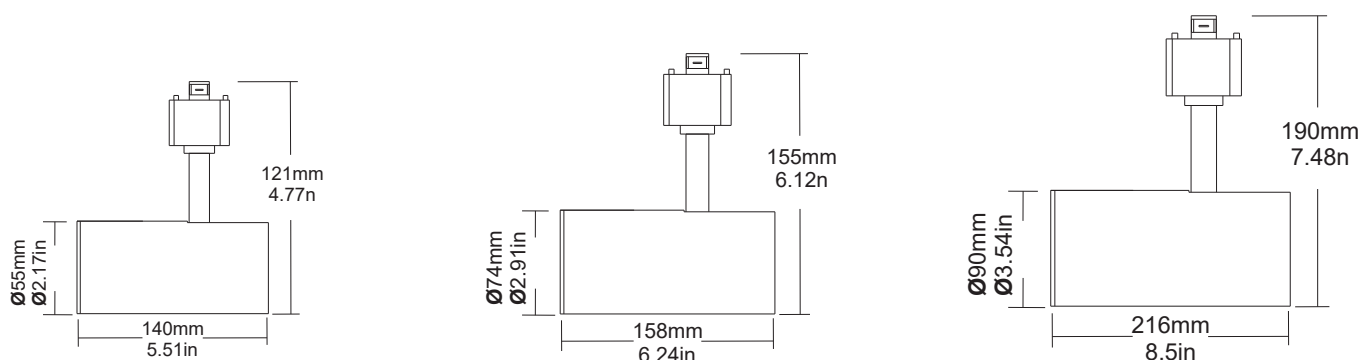
CAUTION

HOT SURFACE! The track luminaire is hot when the power is on; wait at least 5 minutes to touch it after the power is off.

SPECIFICATIONS

Ordering Code	Model Number	Wattage	Input Voltage	CCT (K)	Dimension
5220004	AST-TRH-H-10W-MK5-120-D-MF-BK	10W	120V	27/30/35/40/50	2.17*5.51inch
5220001	AST-TRH-H-10W-MK5-120-D-MF-WH	10W	120V	27/30/35/40/50	2.17*5.51inch
5220005	AST-TRH-H-20W-MK5-120-D-MF-BK	20W	120V	27/30/35/40/50	2.91*6.24inch
5220002	AST-TRH-H-20W-MK5-120-D-MF-WH	20W	120V	27/30/35/40/50	2.91*6.24inch
5220006	AST-TRH-H-35W-MK5-120-D-MF-BK	35W	120V	27/30/35/40/50	3.54*8.51inch
5220003	AST-TRH-H-35W-MK5-120-D-MF-WH	35W	120V	27/30/35/40/50	3.54*8.51inch

DIMENSION



Installation Instruction

ASTELLA series Track Head

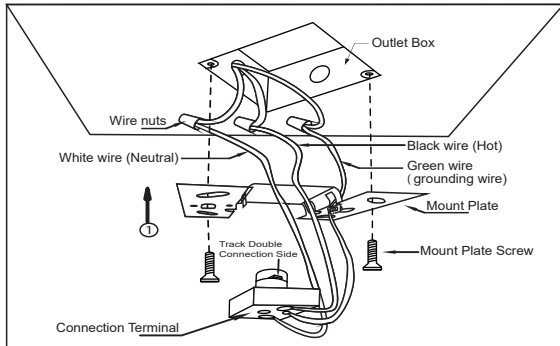
Applicable models:

AST-TRH

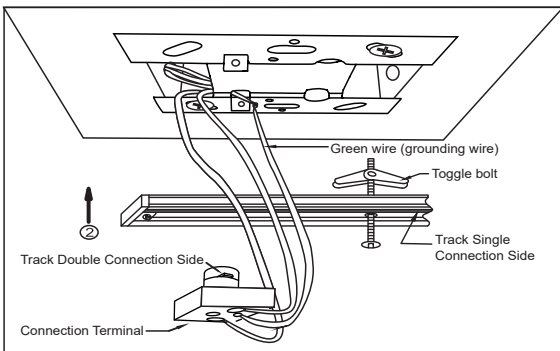
H-type, Single Circuit

INSTALLATION DIAGRAM

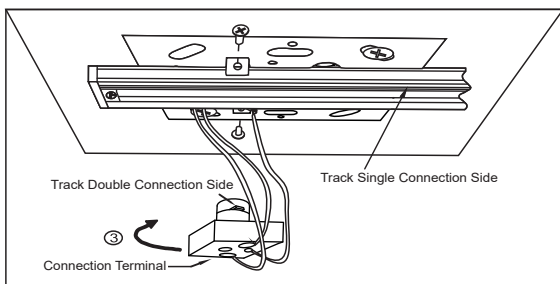
Step 1: Attach mount plate to J-box, wire connector to power.



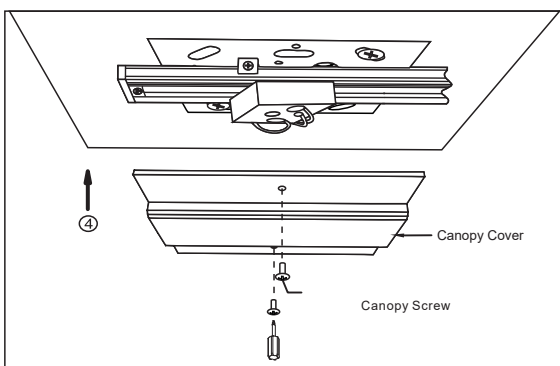
Step 2: Tuck connected wires into the J-Box. Place track onto the ceiling, mark holes where toggle bolts will be placed. Drill holes to receive toggle bolts, place toggle bolts onto the track preparing for installation.



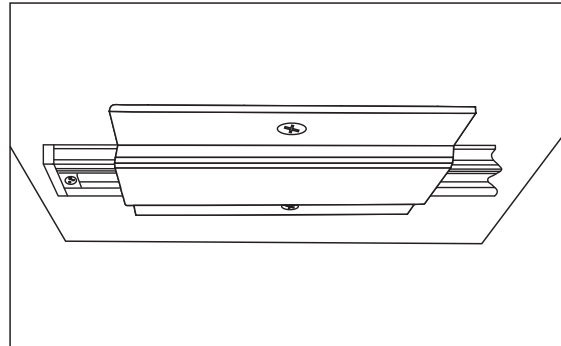
Step 3: Install track channel by placing it onto the mounting plate while pushing in your toggle bolts into the drilled holes. Tighten the toggle bolt and the two screws on the mounting plate to secure the track channel by tightening toggle bolts. Attach the connection terminal, make sure rotate the terminal in the proper double-pin and single-pin direction.



Step 4: Place canopy cover onto track covering the J-box.



Step 5: Your track installation is completed.



INSTALLATION INSTRUCTIONS — LAMPHOLDER

CAUTION: Turn off switch at main power source before installing any track heads or fitting.

1. Pull down the connector lock and insert adaptor contact into the slot in the track.
2. Rotate adaptor 1/4 turn 90° to lock position. Note: The adaptor contact with grounding pin is the two-pin side and must be turned to the track's two-line polarity side.
3. The color select switch is on the back side of the track head. You can switch the color as you like: 3CCT (3000K / 4000K / 5000K), then adjust the angle of the head as needed.
4. If track head needs to be removed to another location, depress the connector lock and turn 90°, remove it to another position as desired.

This device complies with Part 15 of the FCC Rules.

Operation is subject to the following two conditions:

- (1) This device may not cause harmful interference, and (2) this device must accept any interference received, including interference that may cause undesired operation.

