

Installation Instruction

LED Surface Disc Decorative Trims





Applicable models:
HS/VERS/CNP

- Be certain electrical power is OFF before and during installation, maintenance and removal.
- Luminaire wiring must be properly grounded in accordance with the NEC and any applicable local code requirements.
- Use only UL or IEC approved wire for input/output connections.
- Verify that supply voltage matches voltage on luminaire label. Installation to any other connection may void the warranty.
- Wear gloves during installation to prevent injury and do not expose wiring to metal or sharp edges.
- Do not install in areas subject to combustible vapors or gases. Verify luminaire location ratings are suitable for installation environment (refer to specification sheet as needed).
- Do not restrict luminaire's ventilation by covering with material that will cause luminaire to overheat and potentially shorten the lifespan.
- Ensure LED luminaire has the correct polarity before installation.

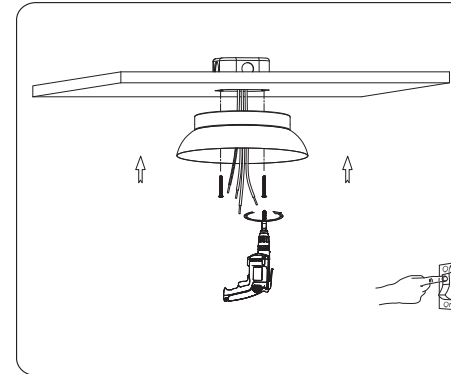


WARNING: To reduce the risk of personal injury or property damage from fire, electrical shock, abrasions, burns and all other hazards, read all provided warnings and follow installation instructions. This product should be installed, inspected and maintained by a qualified electrician. Installation of luminaire must be in accordance with NEC and local code requirements.

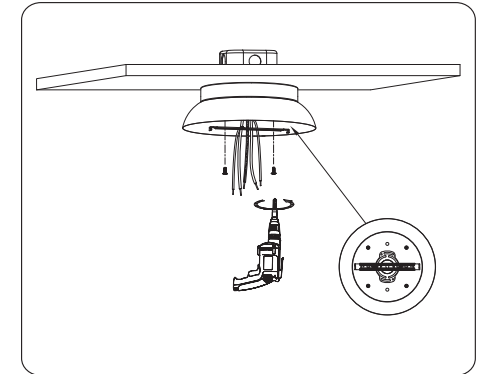
PACKAGE CONTENTS

 X 1PCS	 X 3PCS	 X 3PCS	 X2PCS
--	---	---	--

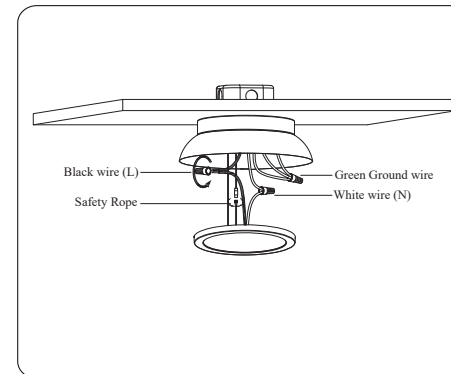
Installation Diagram



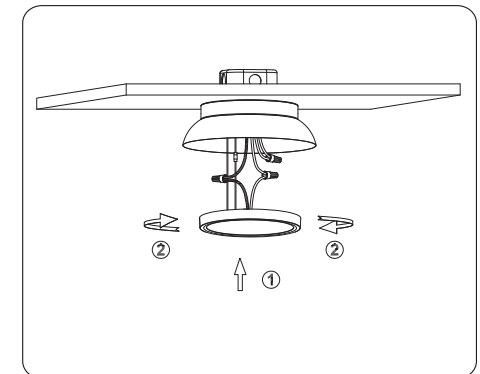
1. With the power off, pass the power cord into the central hole of the decorative trim, and then use the screws in the accessory kit to fix the decorative trim on the ceiling.



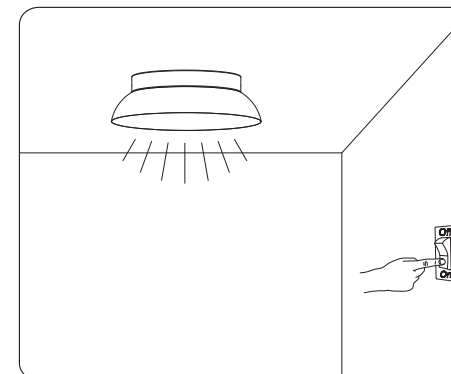
2. Fasten the bracket into the decorative trim with the provided screws.



3. 12" lamp has a safety rope. Please pass the safety rope through the mounting bracket, then tighten the connecting terminal. (For 9" lamp please skip this step) Use the wire nuts to connect the power cord of the lamp and the J-box.



4. Align the lamp's locking slots with the mounting bracket clips, then push the fixture upward toward the ceiling in the direction of the arrow and rotate it until it is fully fixed onto the mounting bracket.



5. Shake the lamp body to test the reliability of the installation. With the power on, turn on the switch to ensure the lamp works normally.

Installation Instruction

LED Surface Disc Decorative Trims





Applicable models:
HS/VERS/CNP

- Be certain electrical power is OFF before and during installation, maintenance and removal.
- Luminaire wiring must be properly grounded in accordance with the NEC and any applicable local code requirements.
- Use only UL or IEC approved wire for input/output connections.
- Verify that supply voltage matches voltage on luminaire label. Installation to any other connection may void the warranty.
- Wear gloves during installation to prevent injury and do not expose wiring to metal or sharp edges.
- Do not install in areas subject to combustible vapors or gases. Verify luminaire location ratings are suitable for installation environment (refer to specification sheet as needed).
- Do not restrict luminaire's ventilation by covering with material that will cause luminaire to overheat and potentially shorten the lifespan.
- Ensure LED luminaire has the correct polarity before installation.

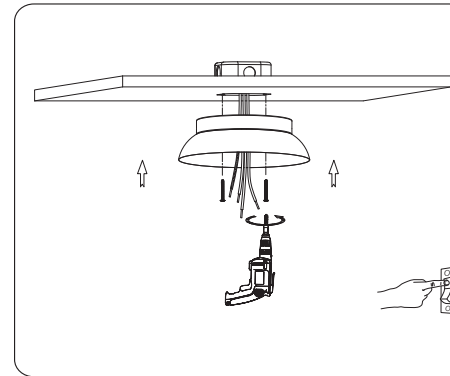


WARNING: To reduce the risk of personal injury or property damage from fire, electrical shock, abrasions, burns and all other hazards, read all provided warnings and follow installation instructions. This product should be installed, inspected and maintained by a qualified electrician. Installation of luminaire must be in accordance with NEC and local code requirements.

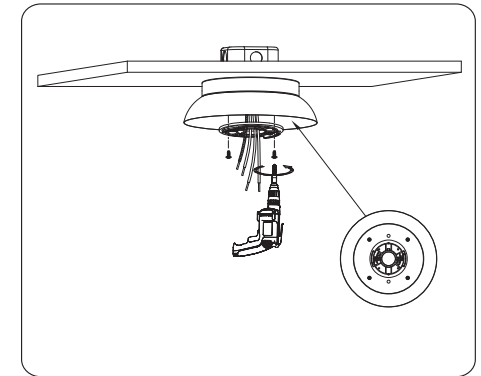
PACKAGE CONTENTS

			
X 1PCS	X 3PCS	X 3PCS	X2PCS

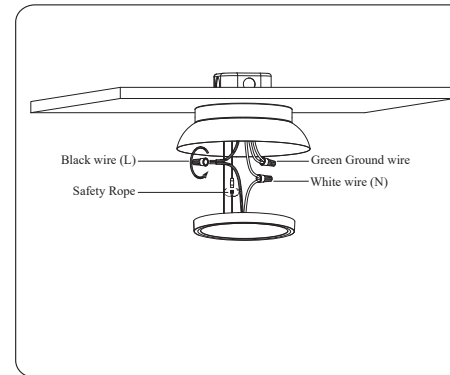
Installation Diagram



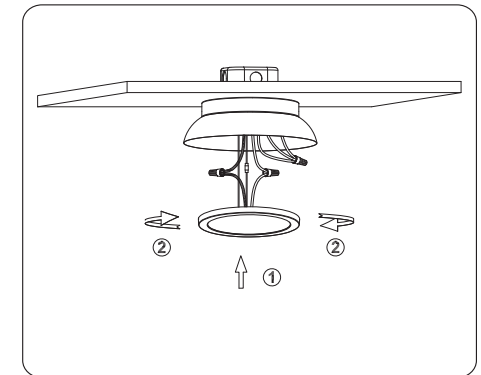
1. With the power off, pass the power cord into the central hole of the decorative trim, and then use the screws in the accessory kit to fix the decorative trim on the ceiling.



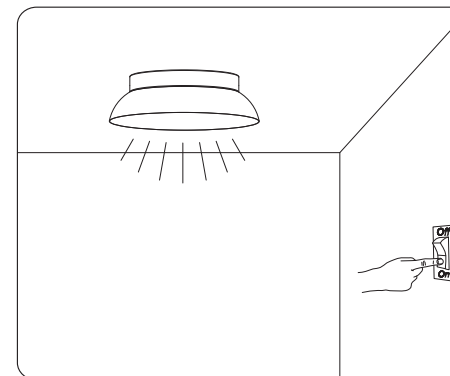
2. Fasten the bracket into the decorative trim with the provided screws.



3. 12" lamp has a safety rope. Please pass the safety rope through the mounting bracket, then tighten the connecting terminal. (For 9" lamp please skip this step) Use the wire nuts to connect the power cord of the lamp and the J-box.



4. Align the lamp's locking slots with the mounting bracket clips, then push the fixture upward toward the ceiling in the direction of the arrow and rotate it until it is fully fixed onto the mounting bracket.



5. Shake the lamp body to test the reliability of the installation. With the power on, turn on the switch to ensure the lamp works normally.