

Installation Instruction

Applicable models:
HS/VERS/CYL

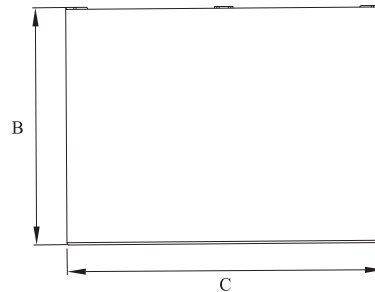
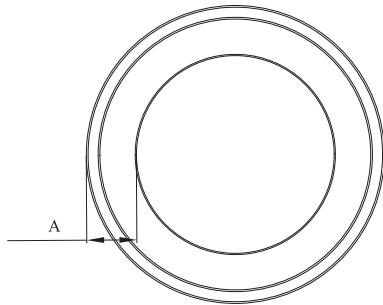
LED Surface Disc Decorative Trims

- Be certain electrical power is OFF before and during installation, maintenance and removal.
- Luminaire wiring must be properly grounded in accordance with the NEC and any applicable local code requirements.
- Use only UL or IEC approved wire for input/output connections.
- Verify that supply voltage matches voltage on luminaire label. Installation to any other connection may void the warranty.
- Wear gloves during installation to prevent injury and do not expose wiring to metal or sharp edges.
- Do not install in areas subject to combustible vapors or gases. Verify luminaire location ratings are suitable for installation environment (refer to specification sheet as needed).
- Do not restrict luminaire's ventilation by covering with material that will cause luminaire to overheat and potentially shorten the lifespan.
- Ensure LED luminaire has the correct polarity before installation.

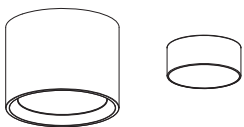


WARNING: To reduce the risk of personal injury or property damage from fire, electrical shock, abrasions, burns and all other hazards, read all provided warnings and follow installation instructions. This product should be installed, inspected and maintained by a qualified electrician. Installation of luminaire must be in accordance with NEC and local code requirements.

DIMENSION



Dimension (Inch)	A	B	C
5"	0.9"	3.5"	5.38"
7"	0.9"	3.5"	7.15"
9"	0.95"	7.0"	9.02"
12"	0.98"	10.0"	11.97"



X 1PCS

Remark: The appearance of decorative trim is subject to the model No.



X 1PCS

Remark: The appearance of mounting bracket is subject to the model No.

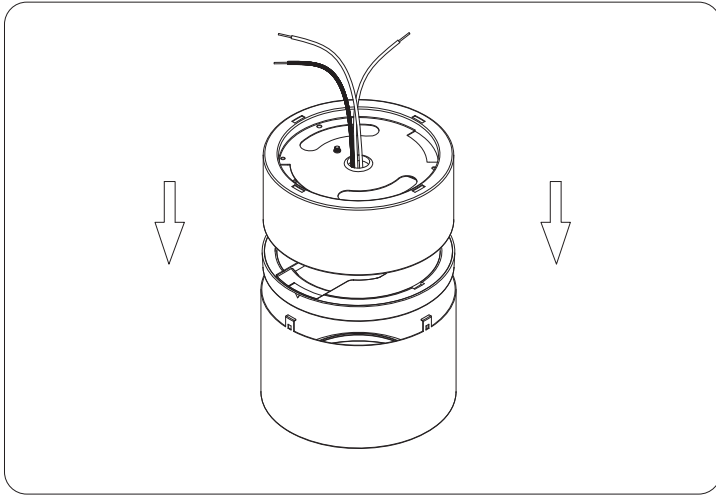


X 3PCS

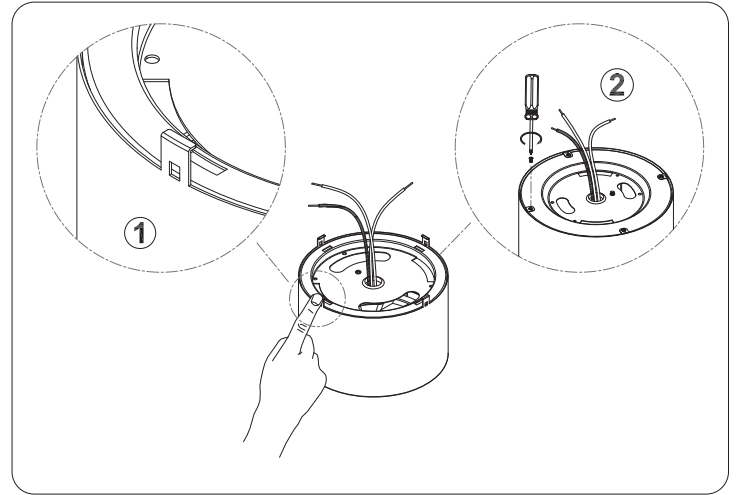


X 3PCS

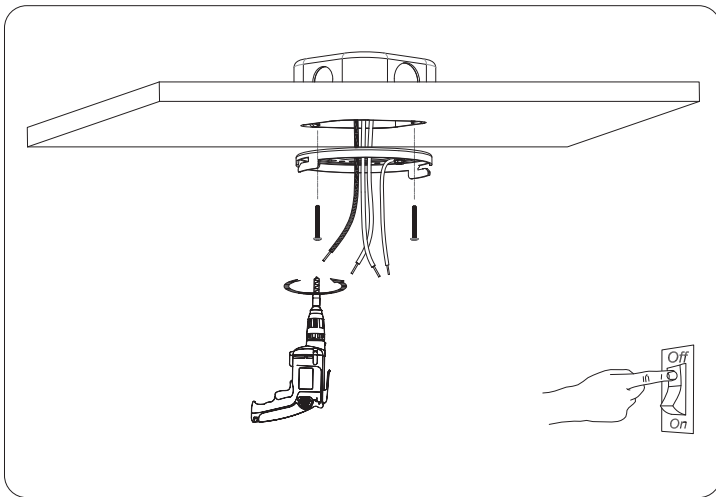
INSTALLATION DIAGRAM



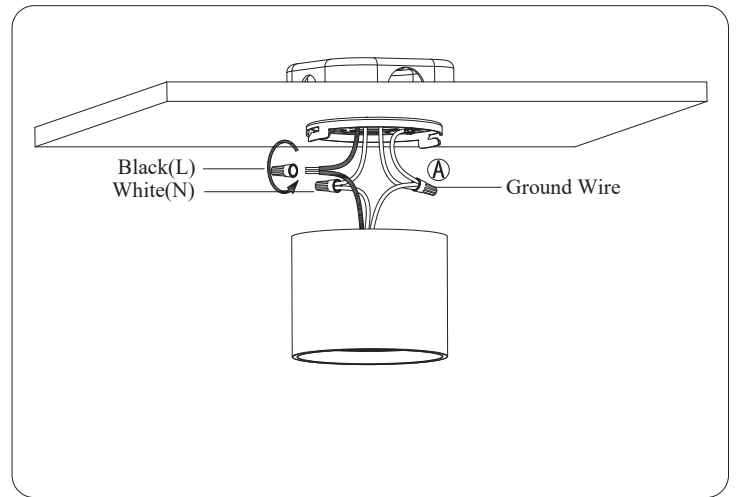
1. Install the lamp and inner liner into the decorative trim in sequence.



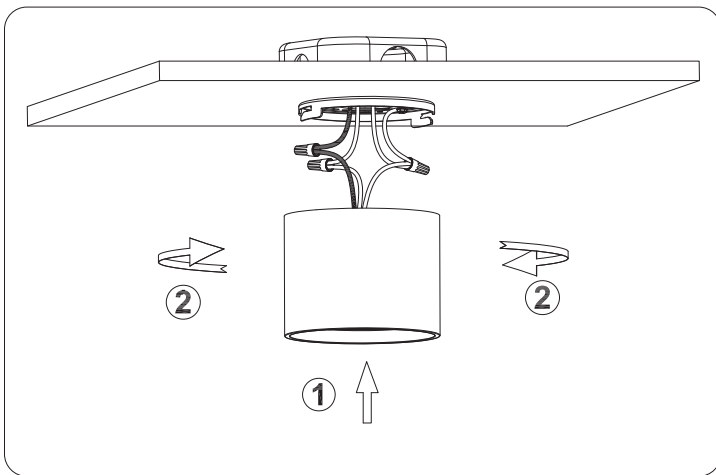
2. Snap on the clips into the lamp's groove. for some models, this position uses a locking screw (as shown in Figure 2).



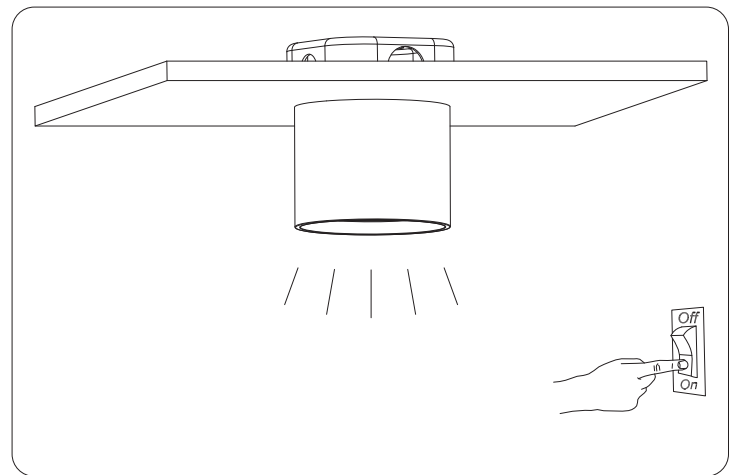
3. With Power OFF, screw the bracket into the ceiling with the provided screws.



4. Connect the lamp wire and power with wire nuts. If the lamp has a ground wire, connect it to position (A).



5. Tuck all wires into the junction box. Align the card slot of the lamp's mounting bracket with the mounting bracket, push the lamp toward the ceiling (1), then rotate it in the direction of the arrow (2) until it is fully fixed to the mounting bracket.



6. With the power on, turn on the switch to ensure the lamp works normally.