

Installation Instruction

NEBULUM 4" Recessed Downlight

Applicable models:
NBLM4-IC
NBML 4" IC Rated Installation

ELECTRICAL SHOCK HAZARD



WARNING

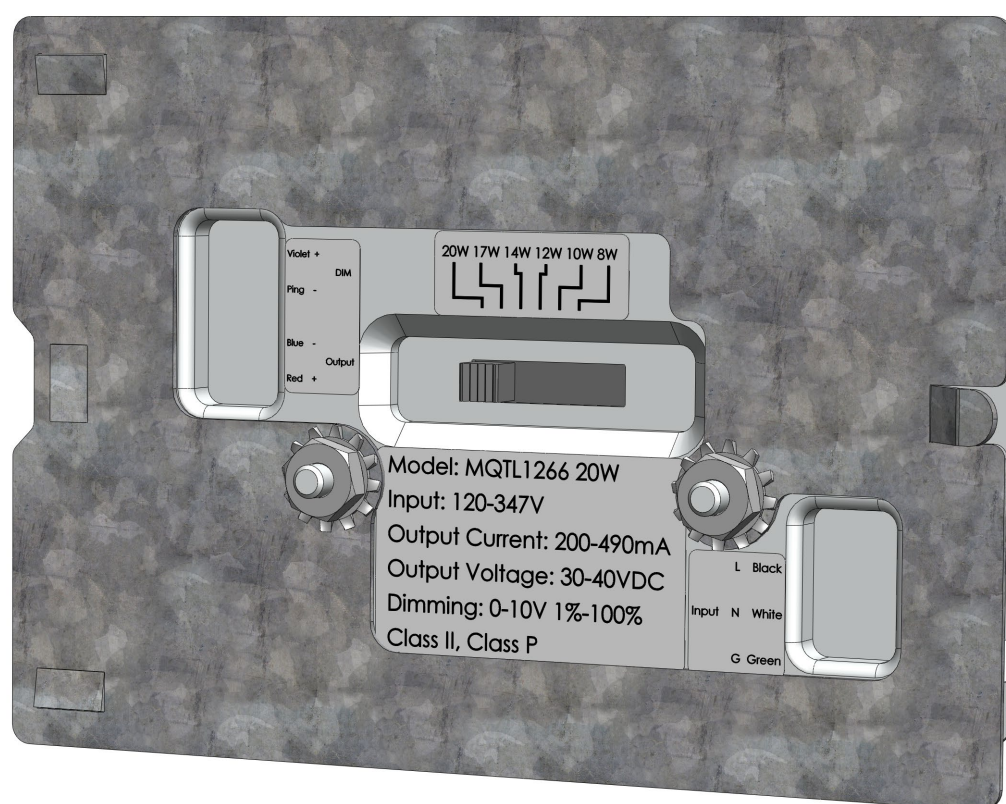
Disconnect the Electrical supply at the service panel (fuse or circuit breaker box). Failure to do so could result in serious injury.

Only qualified electricians should install this luminaire and Must conform to the Canadian Electrical Code Part 1 or the NEC, and any local codes and ordinances. Ensure that only proper tools and materials to complete the installation are available prior to attempting to install this luminaire.

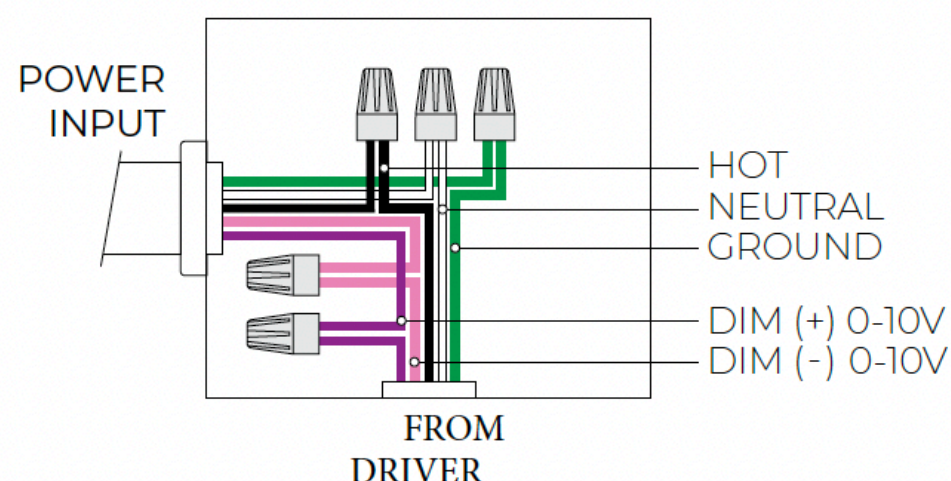
Read all instructions prior to installing this product.

This unit is intended as a Recessed Open Frame installation NON-IC.

Follow directions closely. Wattage selection for MW units is located inside the wiring compartments (see below). TORX T10 and T20 screw drivers are required for Light Engine installation

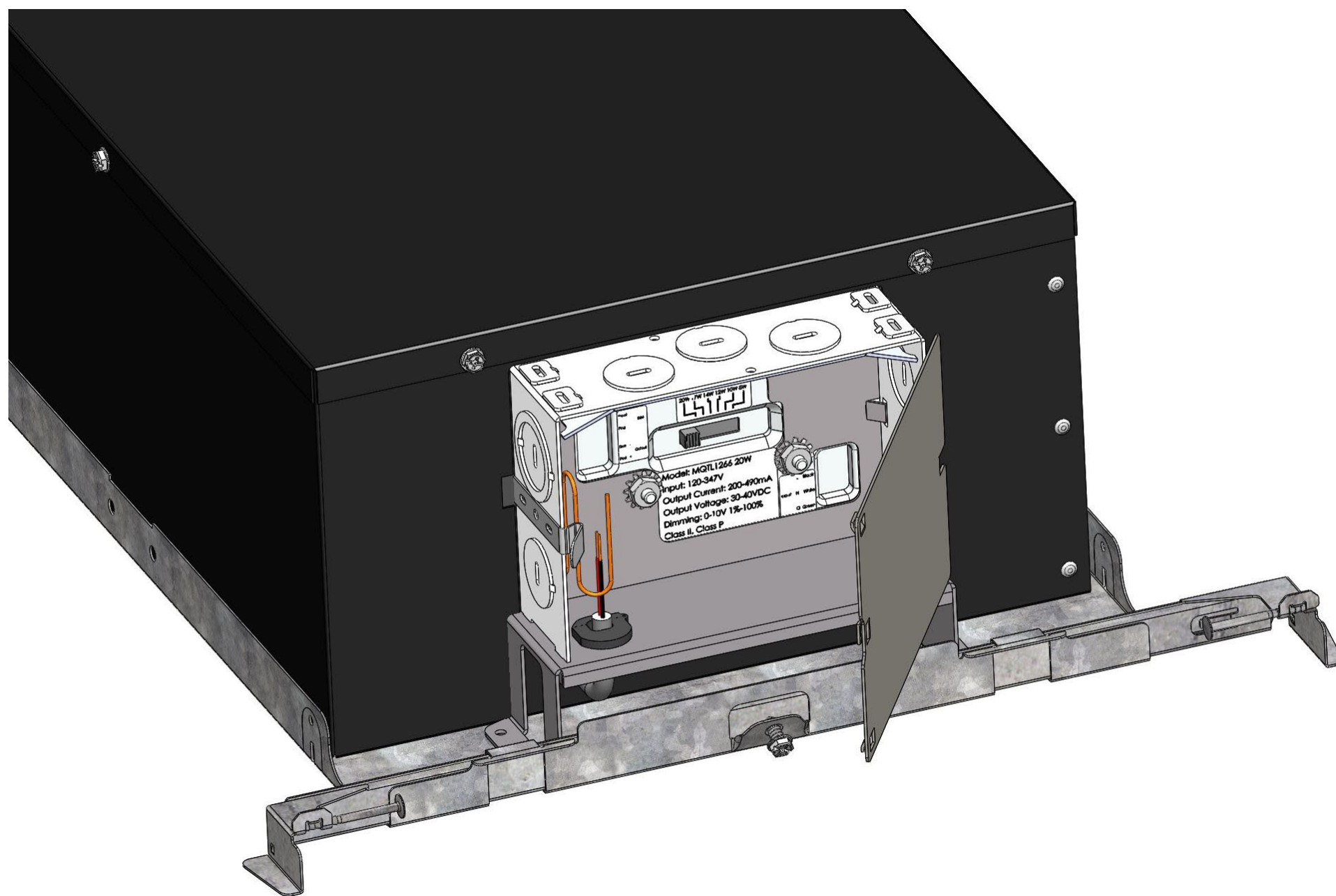


BLACK	HOT
WHITE	NEUTRAL
GREEN	GROUND
PURPLE	DIM (+) 0-10V
PINK	DIM (-) 0-10V

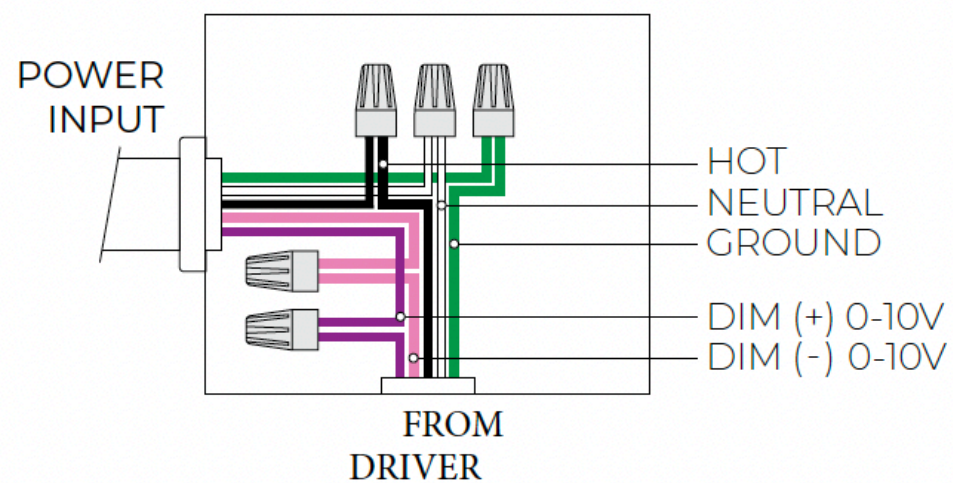


Nebulum 4 Recessed Fixtures - IC Rated Wiring Compartment

To access the wiring compartment, release the driver door cover and hinge open as shown below. For Wiring follow the wiring diagram below.

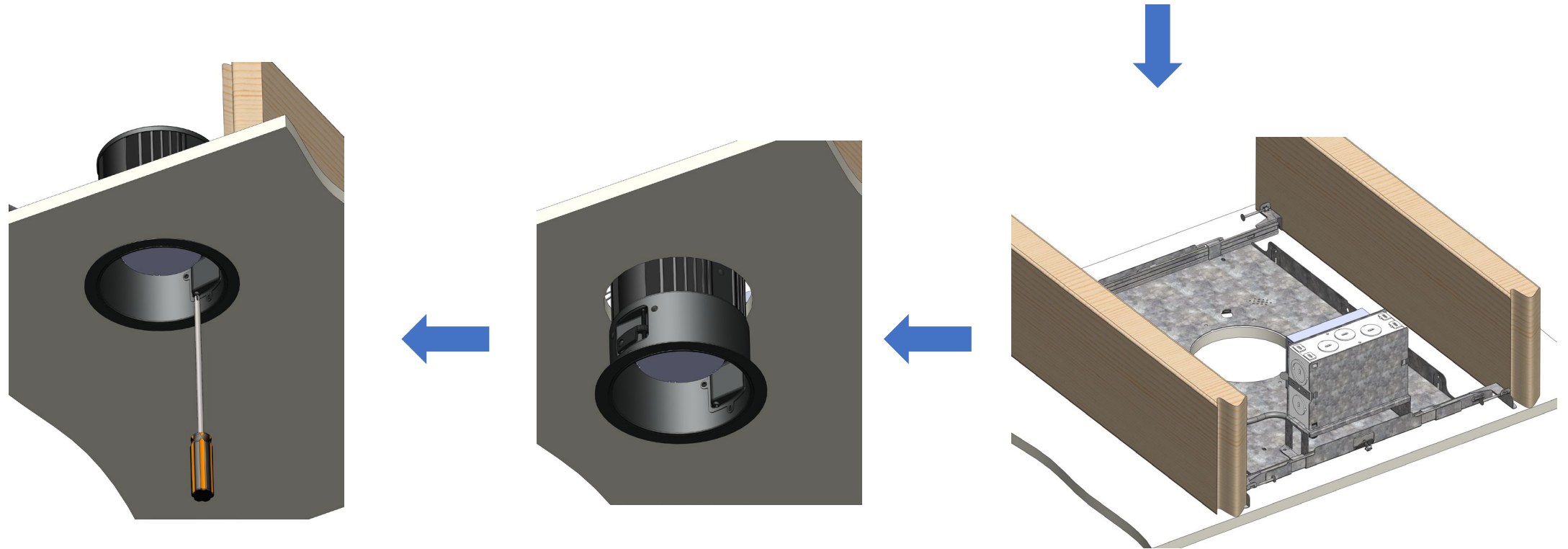
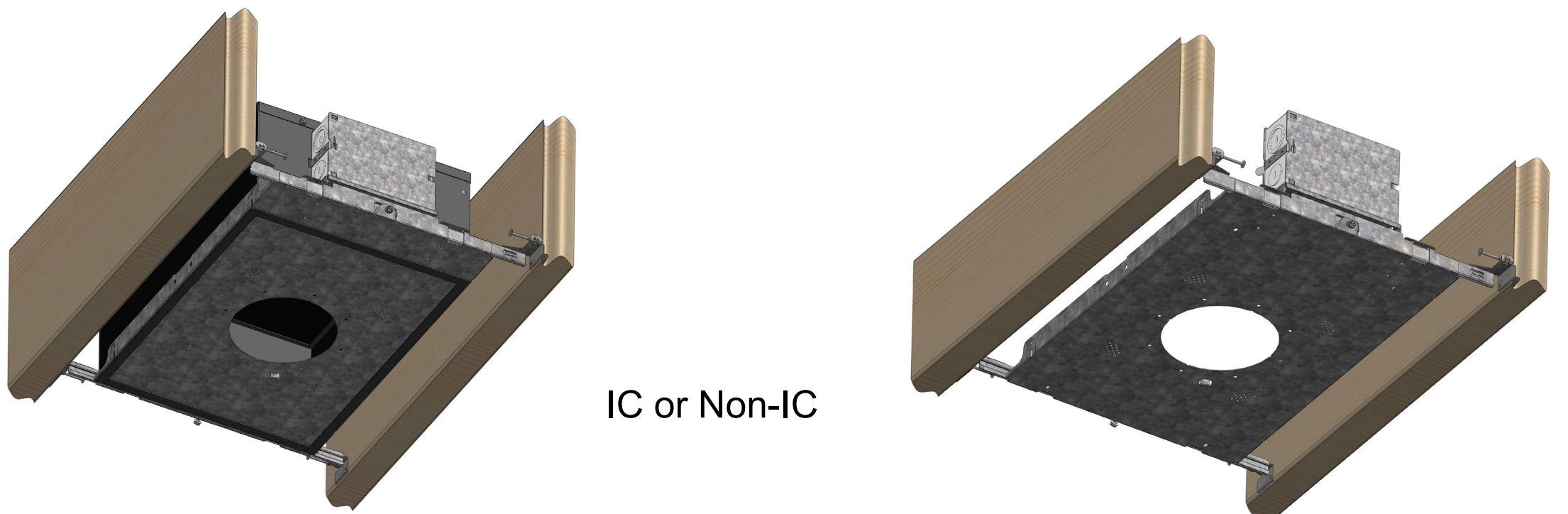


BLACK	HOT
WHITE	NEUTRAL
GREEN	GROUND
PURPLE	DIM (+) 0-10V
PINK	DIM (-) 0-10V

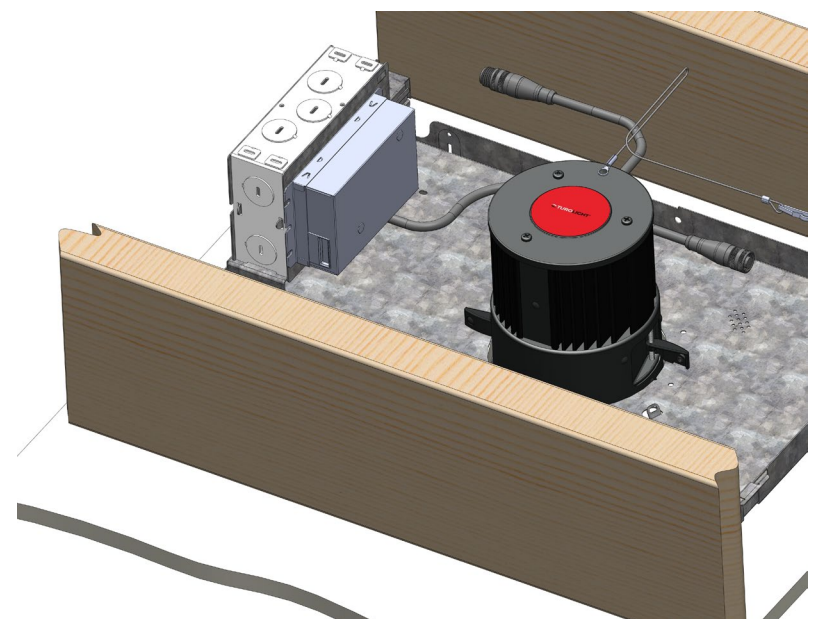
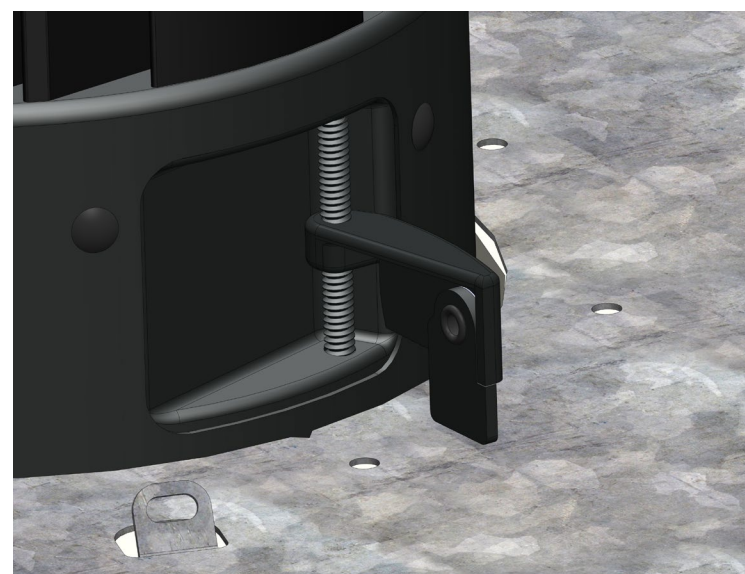


Nebulum 4 Recessed Fixtures – IC Rated Installation

Install the frame into the ceiling joists as shown below – Open Frame shown for clarity
(Electrical connections not shown for simplicity)

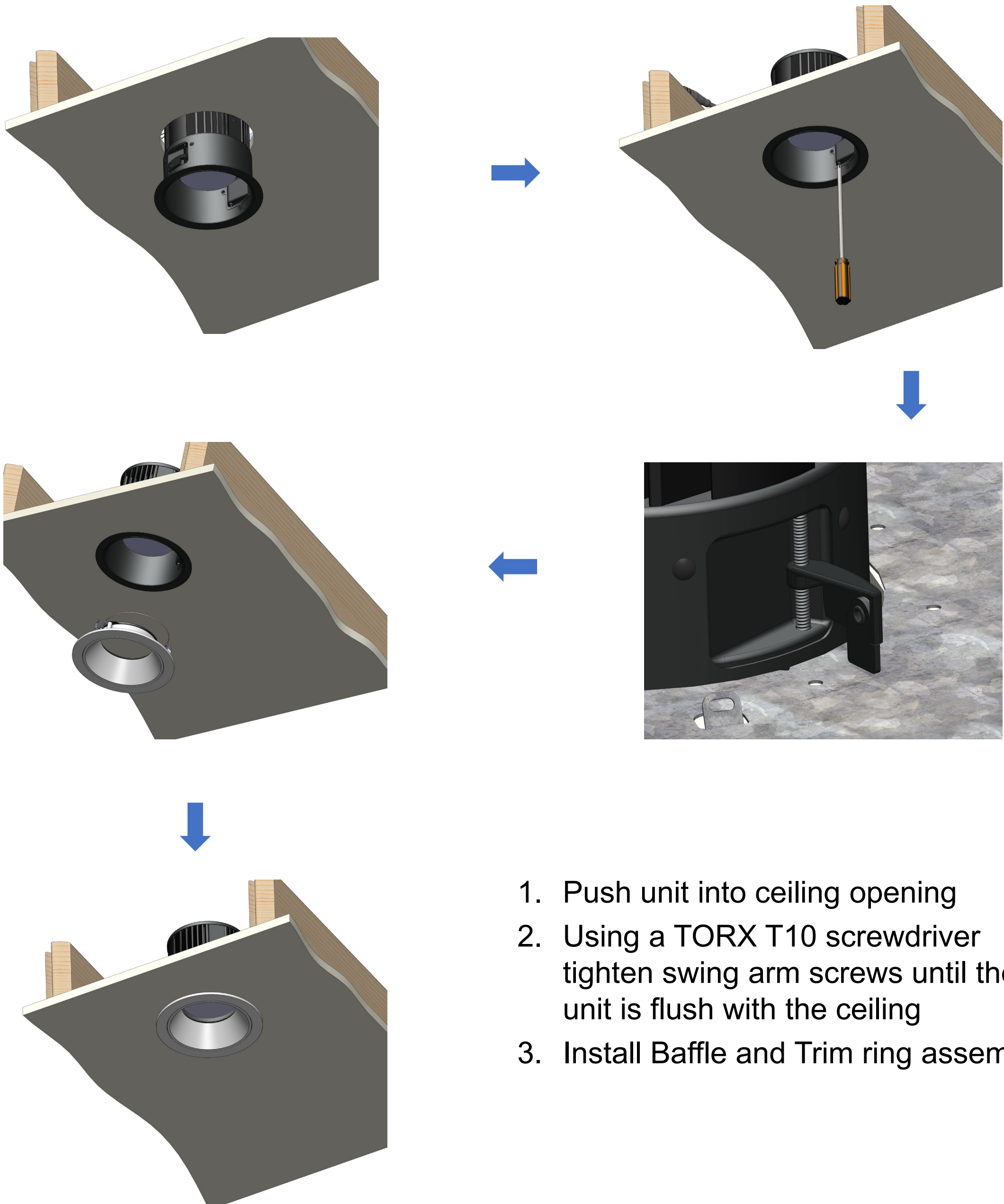


1. Push unit into ceiling opening
2. Using a TORX T10 screwdriver tighten swing arm screws until the unit is flush with the ceiling



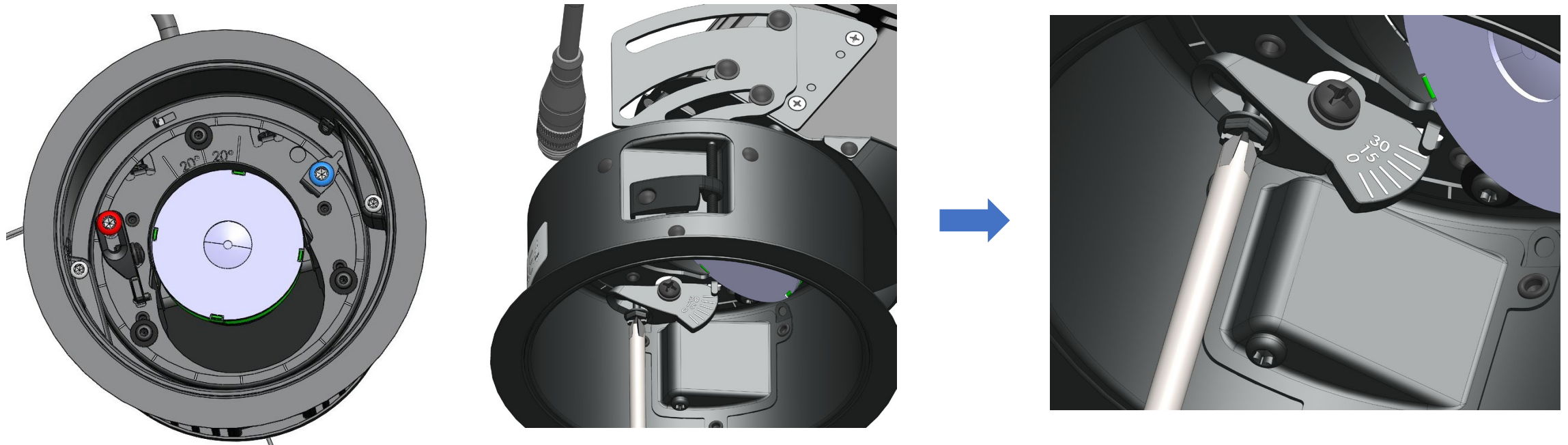
Nebulum 4 Recessed Fixtures - LED Engine Assembly & Baffle installation

Install the LED Engine assembly following the pictorial steps below. (Electrical connections are not shown for simplicity). The Baffle/Trim ring assembly snaps into place

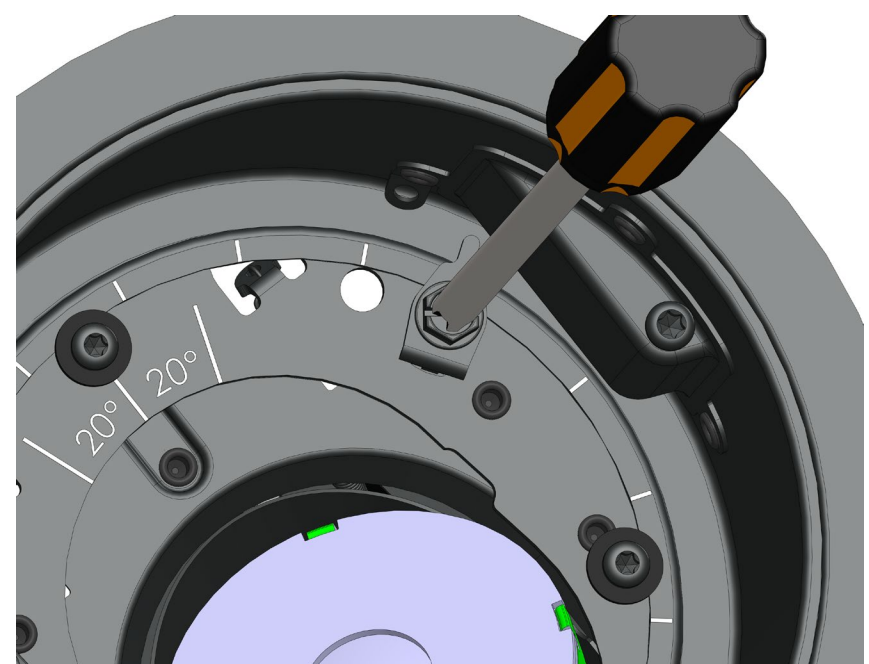
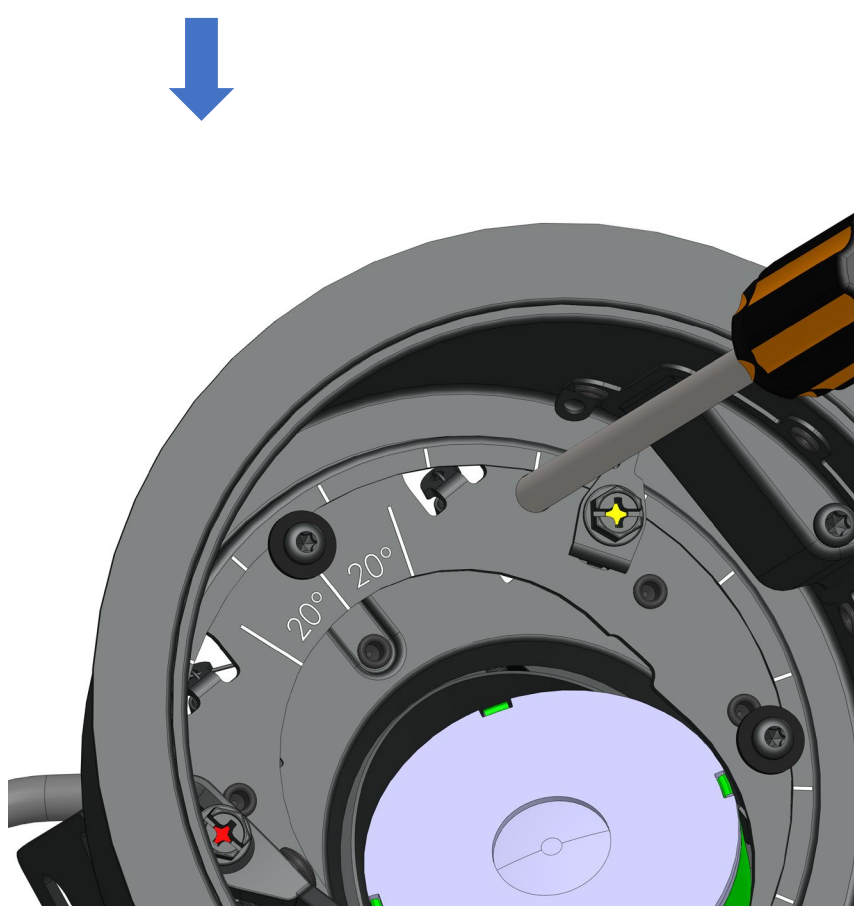
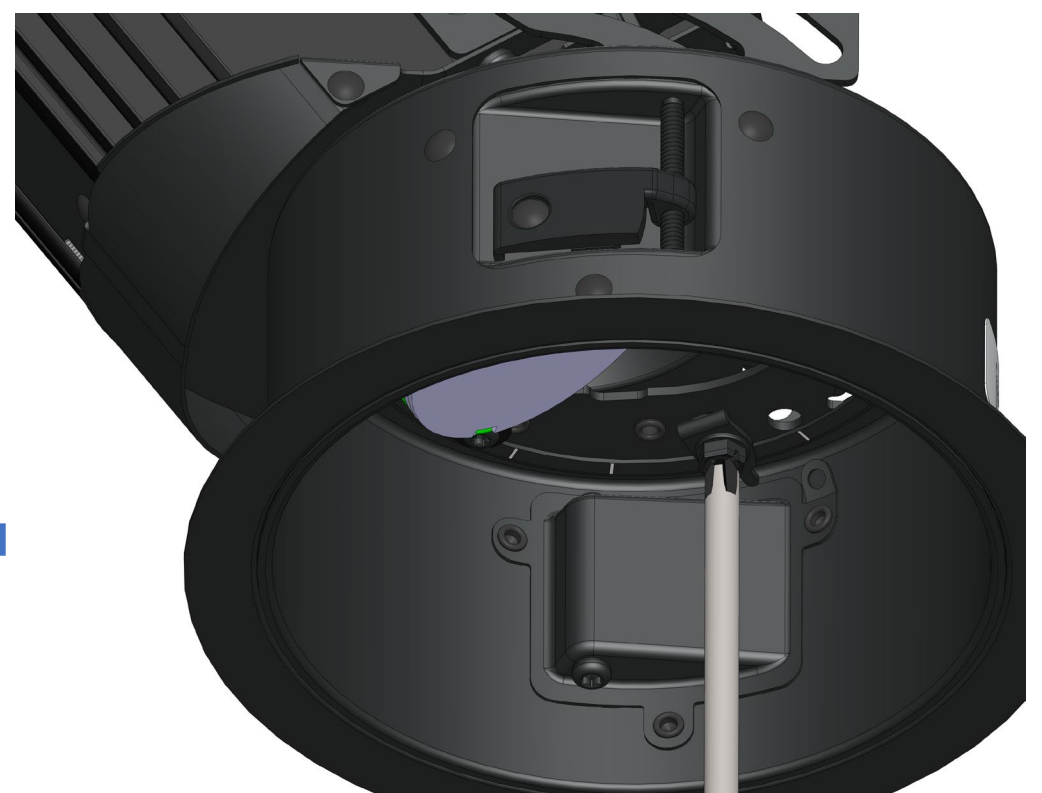
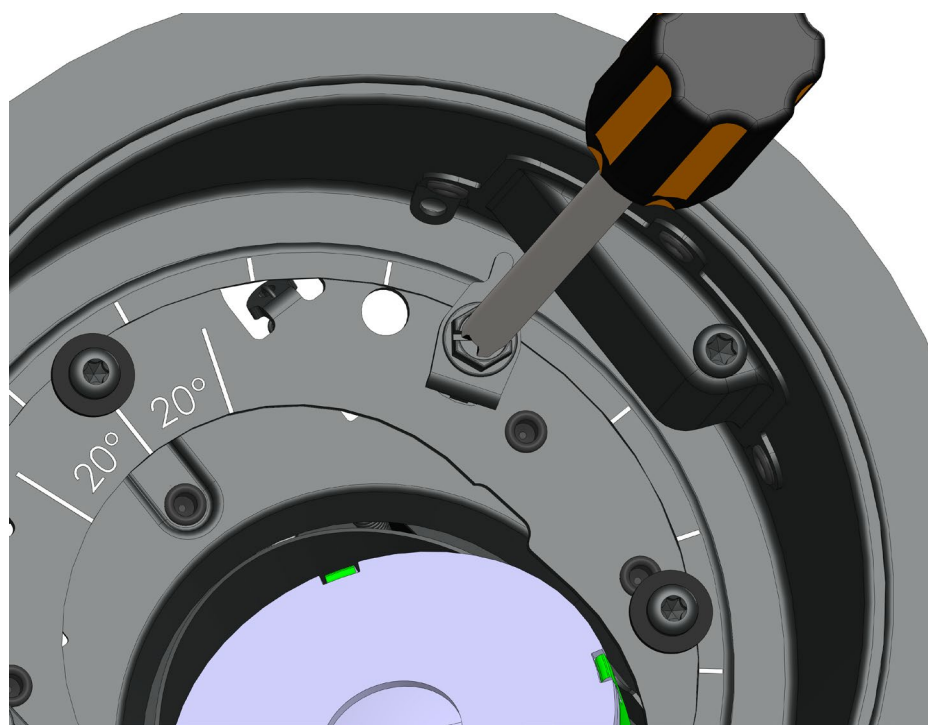


1. Push unit into ceiling opening
2. Using a TORX T10 screwdriver tighten swing arm screws until the unit is flush with the ceiling
3. Install Baffle and Trim ring assembly

Nebulum 4 Recessed Fixtures - LED Adjustable Engine Aiming



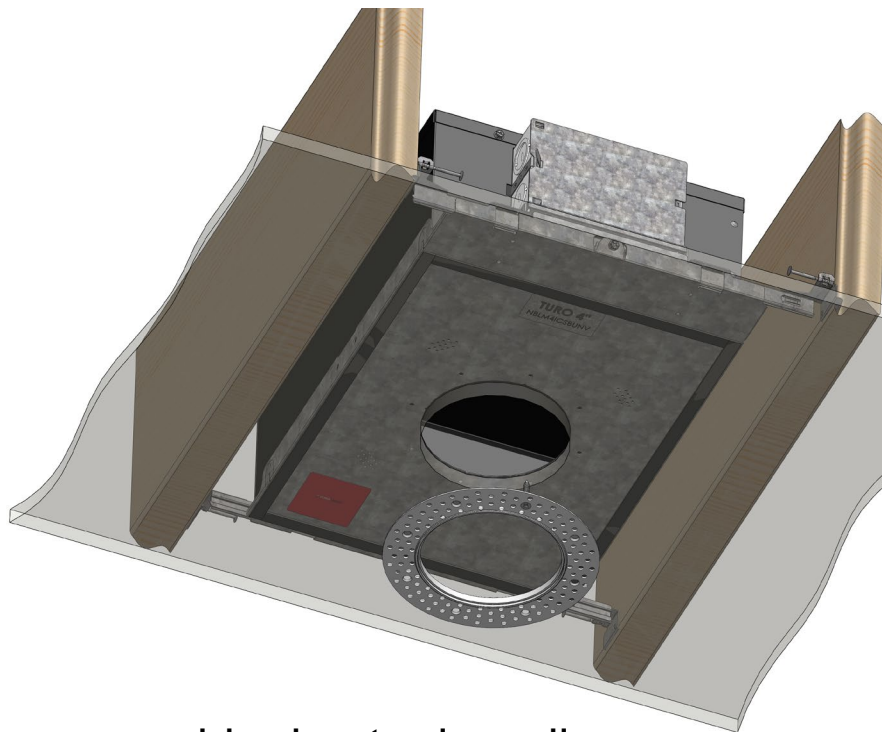
To adjust the tilting angle, tighten or loosen the **RED** screw with a T20 TORX screwdriver to the desired aiming point. For rotation loosen the **BLUE** and adjust to the desired position.



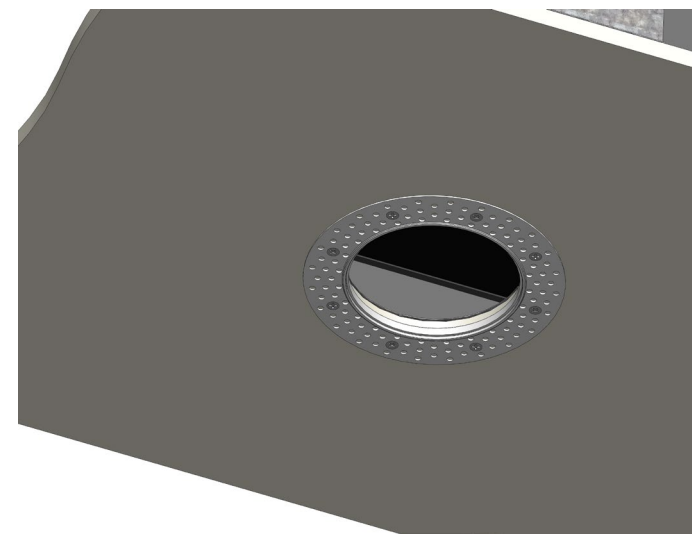
Nebulum 4 Recessed Fixtures - Drywall Mud-in Flange Installation

These steps are to illustrate the installation of the drywall mud-in flange

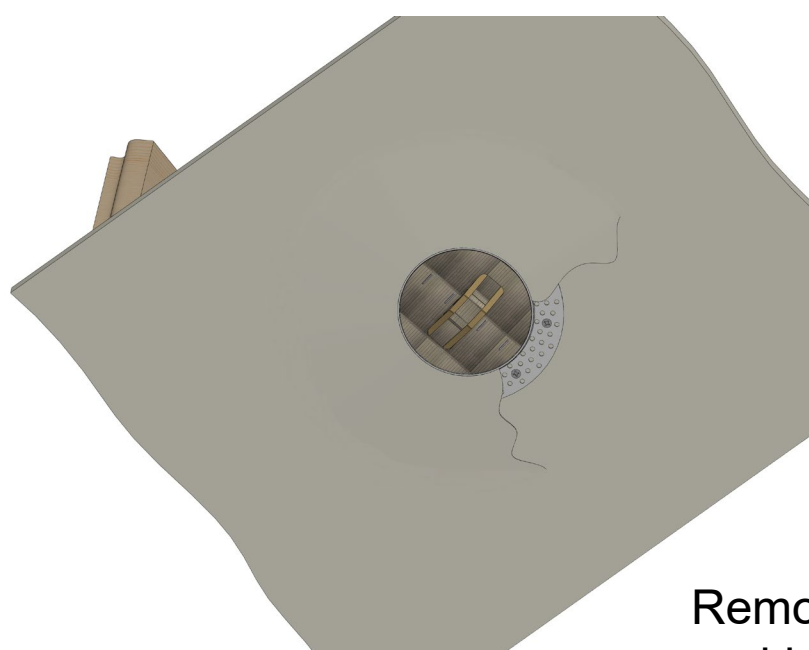
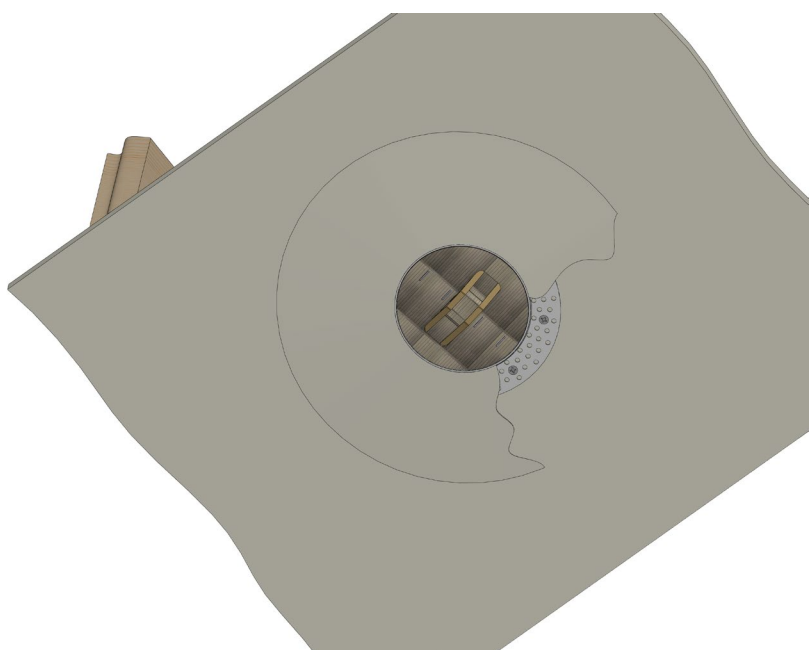
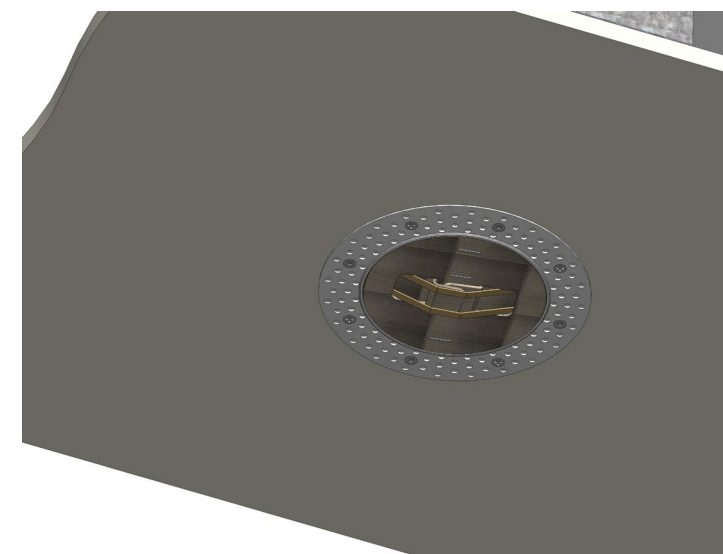
Drywall Trimless Mud-in flange



Screw mud-in ring to drywall



Insert Cardboard trim plug prior to applying spackle



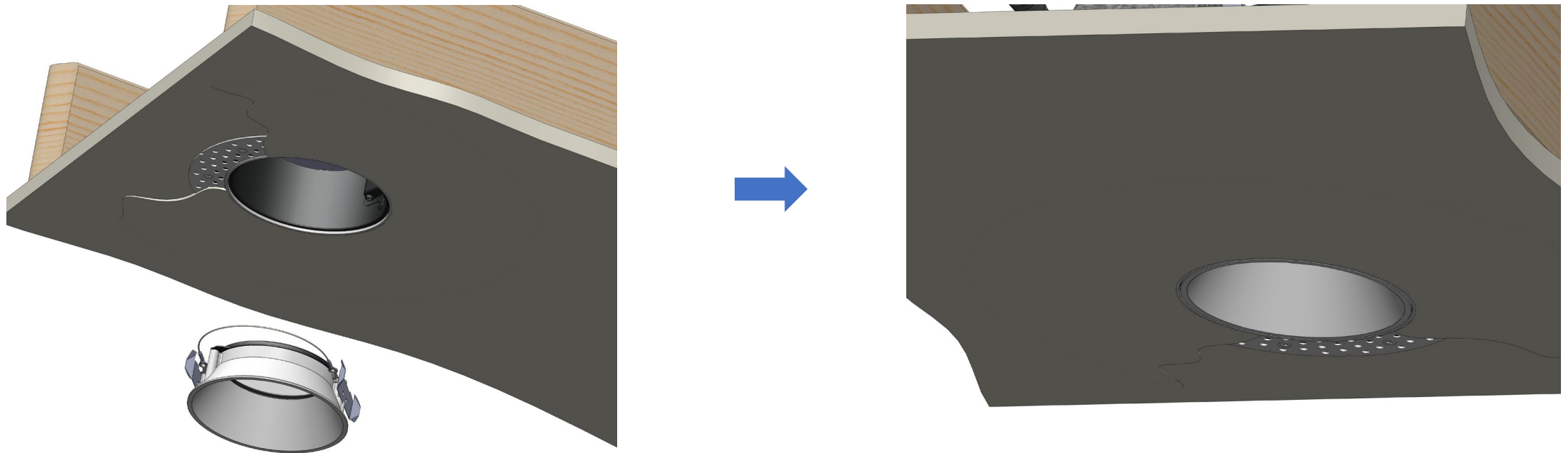
Remove cardboard trim plug and install LED engine – less the black ceiling retention ring



Nebulum 4 Recessed Fixtures - Drywall Mud-in Flange Installation

These steps are to illustrate the installation of the baffle into the drywall mud-in flange

Drywall Trimless Mud-in flange



Install baffle without trim ring