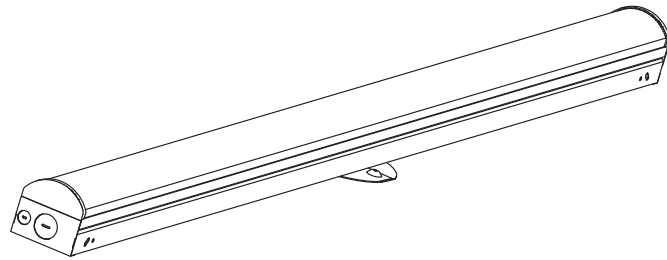


CCT & Wattage Selectable



SAFETY INFORMATION

Please read and understand this entire manual before attempting to assemble, operate or install the product. Failure to do so could lead to electric shock, fire or other injuries that could be hazardous or even fatal.

- Be sure the electricity to the wires you are working on is shut off. Either remove the fuse or turn off the circuit breaker.
- Changes or modifications not expressly approved by the party responsible for compliance could void the user's authority to operate the equipment.
- This product must be installed in accordance with local, province and national electrical codes.
- Installation work shall be completed by a licensed installer that is familiar with the construction and operations of the product.

CAUTION:

- This product contains 0-10v low-voltage DC dimming lines, connect the purple and pink wires only to a suitable low voltage dimming system. Connecting these dimming leads to AC line voltage will damage the driver and cause the unit to fail.

SAFETY INFORMATION

NOTICE

This device complies with Part 15 of the FCC Rules. Operation is subject to the following two conditions: (1) This device may not cause harmful interference, and (2) this device must accept any interference received, including interference that may cause undesired operation.

This equipment has been tested and found to comply with the limits for a Class B digital device, pursuant to part 15 of the FCC Rules. These limits are designed to provide reasonable protection against harmful interference in a residential installation. This equipment generates, uses and can radiate radio frequency energy and, if not installed and used in accordance with the instructions, may cause harmful interference to radio or television reception, which can be determined by turning the equipment the equipment off and on. The user is encouraged to try to correct the interference by one or more of the following measures:

- Reorient or relocate the receiving antenna.
- Increase the separation between the equipment and the receiver.
- Connect the equipment into an outlet on a circuit different from that to which the receiver is connected.
- Consult the dealer or an experienced radio/TV technician for help.

INSTALLATION INSTRUCTIONS

1. Squeeze at the end of the housing, and unhook the LED tray, then take out LED tray off housing together with LED cover.

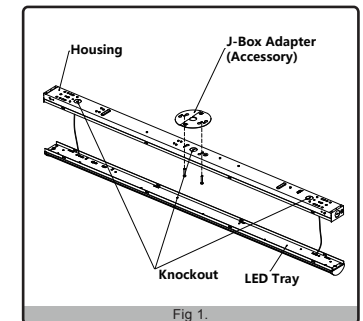


Fig 1.

2. Configure the fixture power (light output) and color temperature (CCT) settings, by using the slide switches on the driver.

NOTE: There are two drivers within the 8-ft housing, the setting of the two drivers need to match each other.

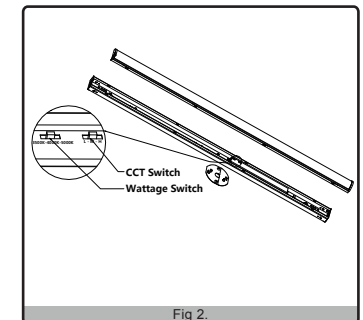


Fig 2.

Installation Instruction

LED Premium Commercial Strip

Applicable models:
PRO-EC2

INSTALLATION INSTRUCTIONS

3. **DRYWALL MOUNTING:** If the mounting holes go through drywall without a stud, drill two small pilot holes using a 3/16-in. drill bit (not included), and install drywall anchors (AA) into the holes with a hammer (not included).

CEILING STUD MOUNTING: If the mounting holes go through ceiling studs, drill four small pilot holes using a 5/32-in. drill bit (not included) for the wood screws (BB).

NOTE: Install Wood screws (BB) but leave about 1/2-in. of space between the screw head and mounting surface.

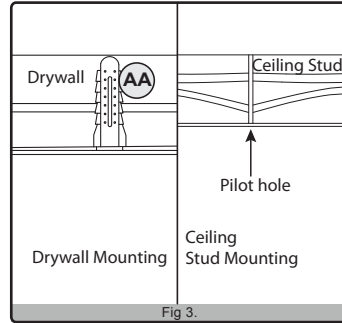


Fig 3.

4. Feed the supply wires from the mounting surface through the knockout hole on the housing base (B). Guide the heads of the two wood screws into the keyhole slots and slide the housing base (B) in the direction such that the wood screw heads rest over the narrow part of the keyhole slot. Ensure that the fixture is supported and tighten the two wood screws (BB) until the fixture is secured to the mounting surface.

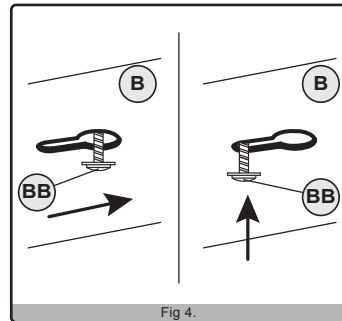


Fig 4.

5. Connect the fixture wires to the supply wires -- black to black, white to white, and green to copper/bare.

WARNING: If there is no ground supply wire, stop installation and consult a qualified electrician.

NOTE: If 0-10v dimming system is available, connect the purple and gray wires to the corresponding purple and gray wires in the building dimming system.

Once wire connections are made, secure each with a wire nut (CC).

To adjust the light, you need to cut the terminal and connect it after stripping the cable.

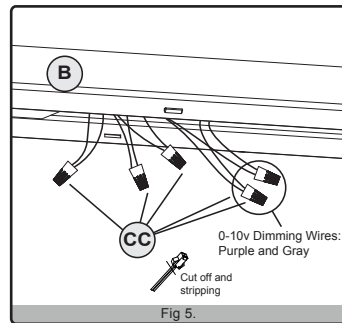


Fig 5.

Installation Instruction

LED Premium Commercial Strip

Applicable models:
PRO-EC2

INSTALLATION INSTRUCTIONS

6. Securely mount the Housing directly to a sturdy surface using the correct mounting hardware through the Drill Locations, (2places minimum). The round J-Box Adapter Plate is used to cover the existing junction box in the mounting surface.

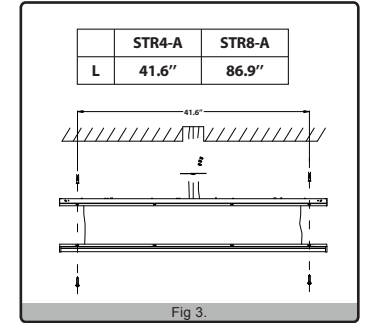


Fig 3.

MAINTENANCE AND CARE

Clean with a mild, non-abrasive glass cleaner and soft cloth. Do NOT use solvents or cleaners containing abrasive agents. When cleaning the fixture, make sure the power is turned off, and any liquid spray should be applied to the cleaning cloth and not sprayed directly onto the fixture itself.

TROUBLESHOOTING

Problem	Possible Solution	Corrective Action
Fixture does not light.	1. Power is off. 2. Incorrect wire connection. 3. Defective wall switch.	1. Check circuit breaker or wall switch. 2. Check wire splices. 3. Replace switch.
Circuit breaker trips when light is turned on.	Crossed wires or power wire is grounded out.	Verify wires are correctly connected.

WARRANTY

This fixture is warranted to perform free from defects for five (5) years. If it fails to do so, you may return it with proof of purchase to the vendor for replacement.