

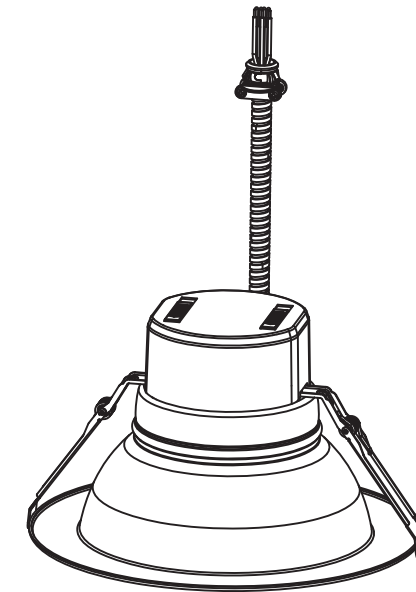
Installation Instruction

Applicable models:
RGD-CDR/HO

LED Recessed Downlight

CCT SELECTABLE RECESSED DOWNLIGHT

Installation Instructions



LED
Technology

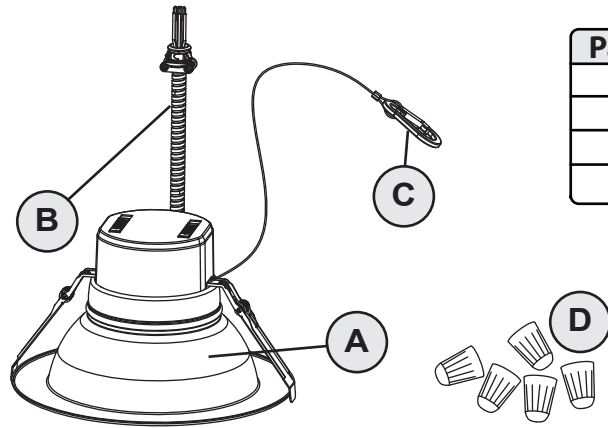
ETL CLASSIFIED



Intertek

Intertek

PACKAGE CONTENTS



Part	Item Name	Qty.
A	Downlight	1
B	Input power conduit lead	1
C	Safety cable	1
D	Wire nuts	5

SAFETY INFORMATION

Please read and understand this entire manual before attempting to assemble, operate or install the product. Failure to do so could lead to electric shock, fire or other injuries that could be hazardous or even fatal.

- Be sure the electricity to the wires you are working on is shut off. Either remove the fuse or turn off the circuit breaker.
- Changes or modifications not expressly approved by the party responsible for compliance could void the user's authority to operate the equipment.
- This fixture is suitable for dimming only when connected to a compatible TRIAC dimmer or a 0-10v dc dimming system.

CAUTION:

- The fixture body is one piece. Do not disassemble it.
- This unit is intended for indoor use only.

NOTICE

- This device complies with Part 15 of the FCC Rules. Operation is subject to the following two conditions: (1) This device may not cause harmful interference, and (2) this device must accept any interference received, including interference that may cause undesired operation.
- This equipment has been tested and found to comply with the limits for a Class B digital device, pursuant to part 15 of the FCC Rules. These limits are designed to provide reasonable protection against harmful interference in a residential installation. This equipment generates, uses and can radiate radio frequency energy and, if not installed and used in accordance with the instructions, may cause harmful interference to radio or television reception, which can be determined by turning the equipment off and on. The user is encouraged to try to correct the interference by one or more of the following measures:
 - Reorient or relocate the receiving antenna.
 - Increase the separation between the equipment and the receiver.
 - Connect the equipment into an outlet on a circuit different from that to which the receiver is connected.
 - Consult the dealer or an experienced radio/TV technician for help.

SAFETY INFORMATION

WARNING

- Minimum Lamp Compartment Dimensions 5.51-in. (Diam) x 7.4-in. (H)
 - Risk of fire or electric shock. LED Retrofit Kit installation requires knowledge of luminaire electrical systems. If not qualified, do not attempt installation. Contact a qualified electrician.
 - Disconnect power at fuse or circuit breaker before installing or servicing.
- No user serviceable parts inside. To avoid electrical shock, do not disassemble product.
- This product is not intended for use in emergency light fixtures or exit signs. Not for use where exposed directly to the weather or water.
 - This product contains a chemical known to the state of California to cause cancer, birth defects or other reproductive harm.
-
- Risk of fire or electric shock. Install this kit only in luminaires that have the construction features and dimensions shown in the photographs and/or drawings.
 - To prevent wiring damage or abrasion, do not expose wiring to edges of sheet metal or other sharp objects.
 - Do not make or alter any open holes in an enclosure of wiring or electrical components during kit installation.

PREPARATION

Before beginning assembly of product, make sure all parts are present. Compare parts with package contents list and hardware contents list. If any part is missing or damaged, do not attempt to assemble the product.

Estimated Assembly Time: 5 minutes

No tools are required for assembly.

INSTALLATION INSTRUCTIONS

1. Make sure the power is turned off at the source to the recessed housing(s) where the fixture(s) will be installed.

Remove the existing trim and bulb from the recessed housing fixture.

Open access panel to the conduit junction box (AA).

Ensure that at least one conduit knockout is available to make the input power connection.

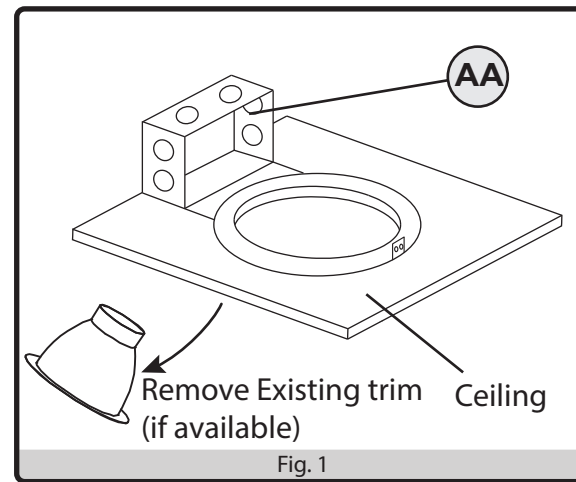


Fig. 1

2. Extend the input power conduit lead (B) through ceiling and connect conduit fitting to junction box. Attach the safet cable (C) onto a structural point above the plenum. Connect the fixture wires to the supply wires -- black to black, white to white, and green to green/bare.

WARNING: If there is no ground supply wire, stop installation and consult a qualified electrician.

NOTE: This unit supports either TRIAC dimming or 0-10v dimming. For TRIAC compatible dimmers refer to the dimmer compatibility list. If a 0-10v dimming system is available, connect the purple and pink wires to the corresponding purple and pink wires in the building dimming system. If no dimming is required, leave the wires unconnected.

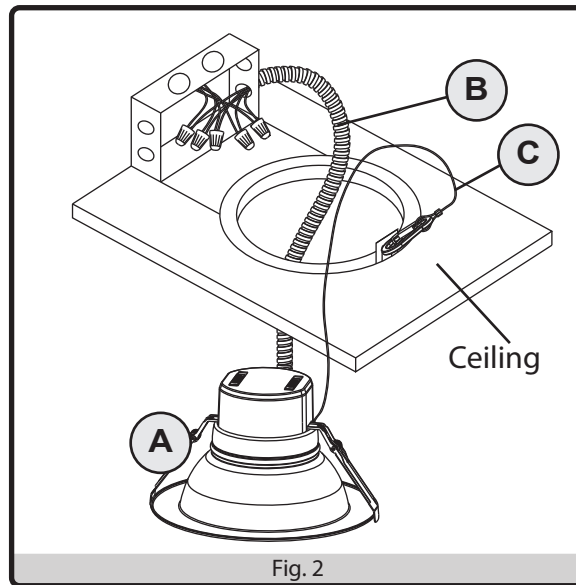


Fig. 2

3. For 4-inch, 6-inch, 8-inch, and 10-inch models (RGD-CDR/HO/4/MW/MK9/120-347V/WH/D, RGD-CDR/HO/6/MW/MK9/120-347V/WH/D, RGD-CDR/HO/8/MW/MK9/120-347V/WH/D and RGD-CDR/HO/10/MW/MK9/120-347V/WH/D series):

Before proceeding to the next step, set the desired color temperature (CCT), using the slide switch on the back of the housing. CCT can be changed from 2700K (soft white), 3000K (warm white), 3500K (neutral white), 4000K (cool white), to 5000K (daylight).

Wattage can also be changed to the desired value as marked adjacent to the switch:

RGD-CDR/HO/4/MW/MK9/120-347V/WH/D: 6W, 8W, 10W, or 13W

RGD-CDR/HO/6/MW/MK9/120-347V/WH/D: 13W, 15W, 18W, or 23W

RGD-CDR/HO/8/MW/MK9/120-347V/WH/D: 24W, 27W, 30W, or 34W

RGD-CDR/HO/10/MW/MK9/120-347V/WH/D: 30W, 35W, 38W, or 42W

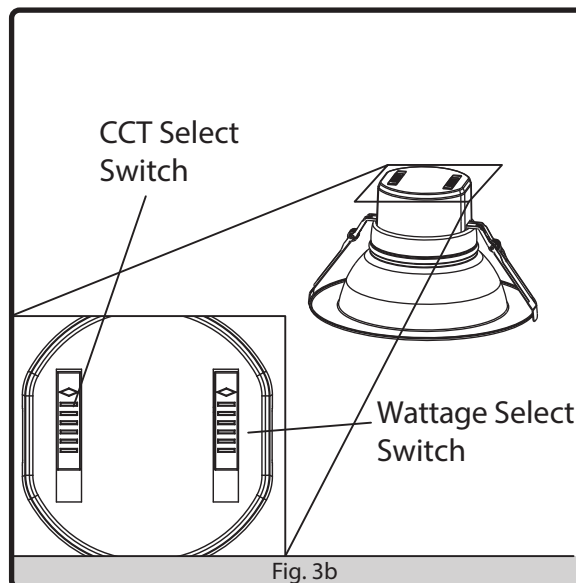


Fig. 3b

INSTALLATION INSTRUCTIONS

4. Carefully tuck all wires into junction box and replace the junction box cover panel. Fold up both spring arms and insert the entire fixture up through the ceiling while letting the tension on the spring arms close onto the upper surface of the ceiling panel. Ensure that the fixture is secured to the ceiling before releasing support of the fixture and completing the installation.

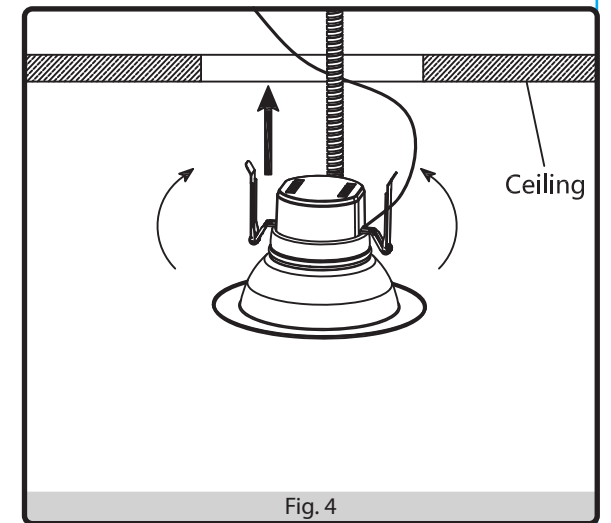


Fig. 4

CARE AND MAINTENANCE

Clean with a mild, non-abrasive glass cleaner and soft cloth. Do NOT use solvents or cleaners containing abrasive agents. When cleaning the fixture, make sure the power is turned off, and any liquid spray should be applied to the cleaning cloth and not sprayed directly onto the fixture itself.

TROUBLESHOOTING

Problem	Possible Solution	Corrective Action
Fixture does not light.	1. Power is off. 2. Incorrect wire connection. 3. Defective wall switch.	1. Check circuit breaker or wall switch. 2. Check wire splices. 3. Replace switch.
Circuit breaker trips when light is turned on.	Crossed wires or power wire is grounded out.	Verify wires are correctly connected.

WARRANTY

This fixture is warranted to perform free from defects for five (5) years. If it fails to do so, you may return it with proof of purchase to 160 Cochrane Drive Markham ON, L3R 9S1 Canada for replacement.