

LED Canopy



SSL-CP5	Segment	Wattage Range	Lumen Range
	Universal	25W-100W	4,000-16,000lm

Features

- Ultraslim & Compact LED Canopy with Polycarbonate Prismatic Diffuser for long life.
- IP65 Wet Location rated with operating temperature range of -40 °C ~ + 40 °C
- Field Selectable (CCT 3000K, 4000K & 5000K) and wattage (25W - 60W in 60M Model & 70-100W in 100L Model).
- Efficacy of 160 lm/W with 120-347V LED Auto-Sensing driver
- DLC Premium rated

Specifications

Housing:

Pressure Die Cast Aluminum body to ensure better Thermal Management.

Optics:

UV Resistant Prismatic Polycarbonate Cover

Mounting:

Surface installation through J-BOX mounting, and pendant mounting

Driver:

Auto-sensing 120-347 V LED driver with Operating temperature range of -40 °C ~ + 40 °C

LED:

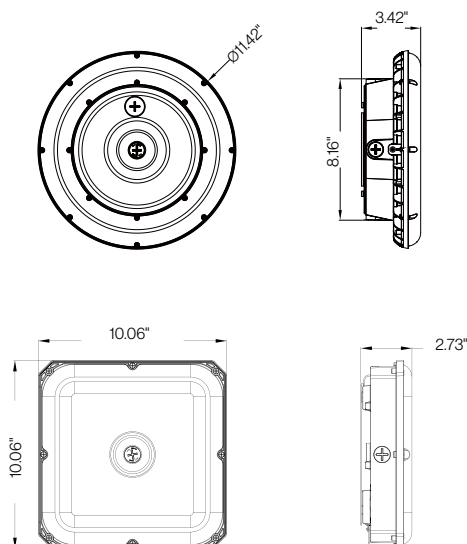
Field Selectable CCT of 3000K, 4000K & 5000K. Efficacy of ≥ 160 lm/w.

Controls:

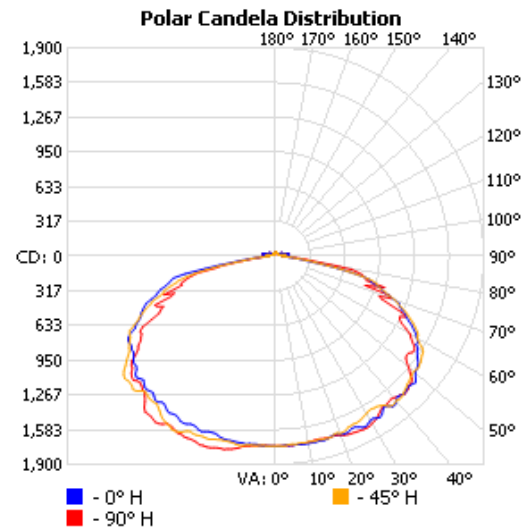
Compatible with 0-10V Dimming



Dimensional Drawing



Polar Candela



Applications



Garage



Malls



Multilevel Car Park

LED Canopy



SSL-CP5	Segment	Wattage Range	Lumen Range
	Universal	25W-100W	4,000-16,000lm

Ordering Information Example: SSL-CP5/RD/60M/MW/MK/UN3/WH/D

Family Name	Fixture Type	Shape	Type	CCT	Voltage	Finish	Dimmable
SSL (Solid state lighting)	CPS (LED canopy)	RD (Round) SQ (Square)	60M/MW (Max. 60W, Selectable Wattage) 100L/MW (Max. 100W, Selectable Wattage)	MK (Selectable Kelvin/CCT)	UN3 (120-347V)	WH (White) BK (Black)	D (Dimmable)

Product Specification

Ordering Code	DLC Premium	Model Number	Wattage (W)	Input Voltage (V)	Hour Rating (L70)	Initial Delivered Lumens (lm)	CCT (K)	CRI	Dimension (inch)	Case QTY.
3682290	Yes	SSL-CP5/RD/60M/MW/MK/UN3/WH/D	60-40-25	120-347	50,000	10000-6400-4000	30-40-50	80	Ø11.42" - 3.42"	4
3682291	Yes	SSL-CP5/RD/100L/MW/MK/UN3/WH/D	100-85-70	120-347	50,000	16000-13600-11200	30-40-50	80	Ø11.42" - 3.42"	4
3682292	Yes	SSL-CP5/SQ/60M/MW/MK/UN3/BK/D	60-40-25	120-347	50,000	10000-6400-4000	30-40-50	80	10.06" x 10.06" - 2.73"	4
3682293	Yes	SSL-CP5/SQ/100L/MW/MK/UN3/BK/D	100-85-70	120-347	50,000	16000-13600-11200	30-40-50	80	10.06" x 10.06" - 2.73"	4
3660371	-	TL-HB/Sensor/Microwave1	HighBay 12V DC Microwave Plug In Sensor 3.5mm Audio Jack							
3466210	-	TL-HB/SENSOR/PIR1	HighBay 12V DC PIR Plug In Sensor 3.5mm Audio Jack							
3466211	-	TL-HB/CONTROLLER/MICROWAVE1/PIR1	Sensor Controller							

NOTE:

- Microwave can penetrate walls or glass thinner than 20cm, movement in adjacent corridors may be detected.
- Detection area will be affected by speed of motion, mounting height and movement volume.
- Installation shall not be mounted to avoid false trigger caused by the luminaire itself shaking. (Rooftop HVAC, upper floor vibration, etc.)
- Shall not be installed next to large operating machines such as ventilator/ceiling fan to avoid false triggering caused by machine vibration.
- They cannot penetrate metal. Large metal object near the sensor may create a "dead zone" behind it.
- Microwave sensors have advantage over PIR device in that they can operate in hot environments, however, they are sensitive devices and can be prone to false detection by everyday items like ceiling fans, moving branches or curtains, loose packaging, etc.

Other options may be available, consult Turolight Sales. Specifications and data are subject to change without notice.

DLC Certification

Ordering #	Model Number	Primary Use	DLC Standard	DLC Premium
3682290	SSL-CP5/RD/60M/MW/MK/UN3/WH/D	High-Bay Luminaires for Commercial and Industrial Buildings	-	S-LNKSC
3682291	SSL-CP5/RD/100L/MW/MK/UN3/WH/D	High-Bay Luminaires for Commercial and Industrial Buildings	-	S-YP9MD1
3682292	SSL-CP5/SQ/60M/MW/MK/UN3/BK/D	High-Bay Luminaires for Commercial and Industrial Buildings	-	S-40KZX
3682293	SSL-CP5/SQ/100L/MW/MK/UN3/BK/D	High-Bay Luminaires for Commercial and Industrial Buildings	-	S-ST65DY