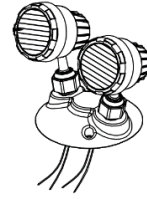


INSTALLATION INSTRUCTIONS

FOR LED EMERGENCY REMOTE HEAD

Package Contents

Part	Description	Quantity
1	LED remote head	1



Warnings and Cautions

IMPORTANT SAFEGUARDS

READ AND FOLLOW ALL SAFETY INSTRUCTIONS

1. Review the diagrams thoroughly before beginning.
2. All electrical connections must be in accordance with local codes, ordinances and the National Electric code.
3. Disconnect power at fuse or circuit breaker before installing or servicing.
4. Do not use outdoors.
5. Do not mount in hazardous locations, or near gas or electric heaters.
6. Do not let power cords touch hot surface.
7. Equipment should be mounted in locations and at heights where it will not be subjected to tampering by unauthorized personnel.
8. The use of accessory equipment not recommend by the manufacturer may cause an unsafe condition.
9. Do not use this equipment for other than intended use.
10. All servicing should be performed by qualified personnel only.

SAVE THESE INSTRUCTIONS

ELECTRICAL CONNECTIONS

1. Feed the wires through the hole on the bottom and twist the nut to fix it. (Fig 1)
2. Connect the wires to proper power supply and fix it on the wall with screws. (Fig 2, 3)
3. The max. mounting height is 7.5ft.

Fig 1

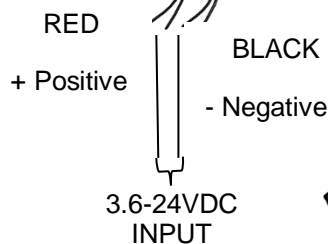
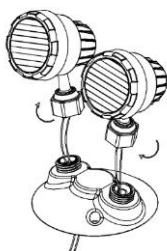


Fig 2

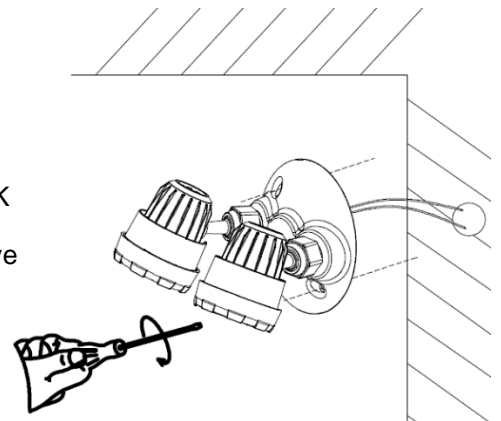


Fig 3