

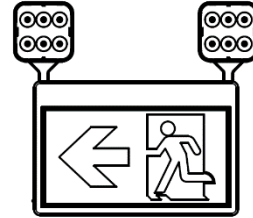
# INSTALLATION INSTRUCTIONS FOR RUNNING MAN EXIT SIGN

---

## Package Contents

---

Part	Description	Quantity
1	Emergency Exit Sign	1
2	Canopy	1



---

## Warnings and Cautions

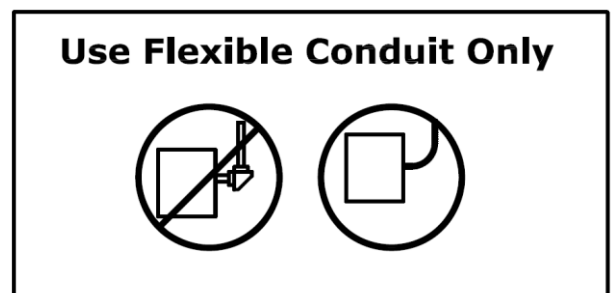
---

### IMPORTANT SAFEGUARDS

### READ AND FOLLOW ALL SAFETY INSTRUCTIONS

1. Review the diagrams thoroughly before beginning.
2. All electrical connections must be in accordance with local codes, ordinances and the National Electric code.
3. Disconnect power at fuse or circuit breaker before installing or servicing.
4. Do not use outdoors.
5. Do not mount in hazardous locations, or near gas or electric heaters.
6. Do not let power cords touch hot surface.
7. Equipment should be mounted in locations and at heights where it will not be subjected to tampering by unauthorized personnel.
8. The use of accessory equipment not recommend by the manufacturer may cause an unsafe condition.
9. Do not use this equipment for other than intended use.
10. All servicing should be performed by qualified personnel only.
11. Allow battery to charge for 24 hours before first use.

### SAVE THESE INSTRUCTIONS

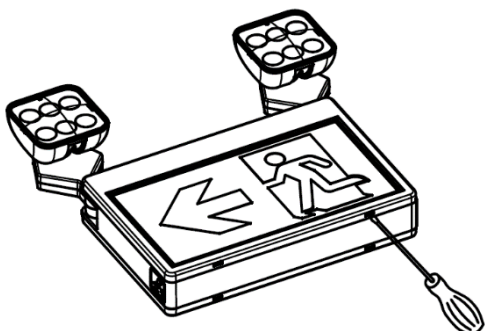


# Mounting Instructions

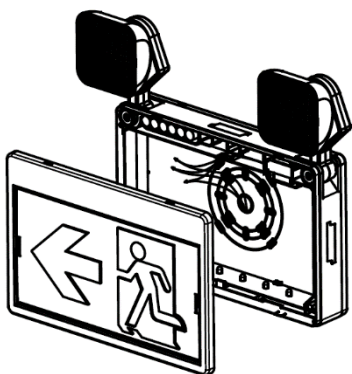
**NOTE: First turn off electricity.**

## Wall mounting

1. Open the EXIT housing and diffuser with a screwdriver.

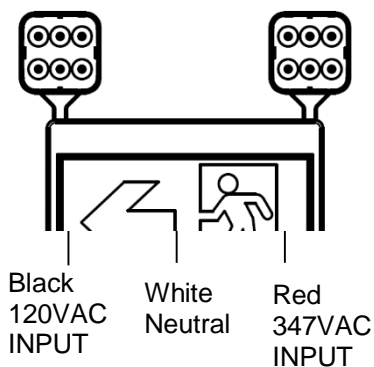


2. Knockout in back of mounting plate and push wires through the hole.



3. Make the proper supply lead connections.

If using 120VAC, connect the black and white leads to the building utility. If using 347VAC, connect the red and white leads to the building utility. Cap off unused wire. If the unit is self-powered, be sure to snap battery connector together.



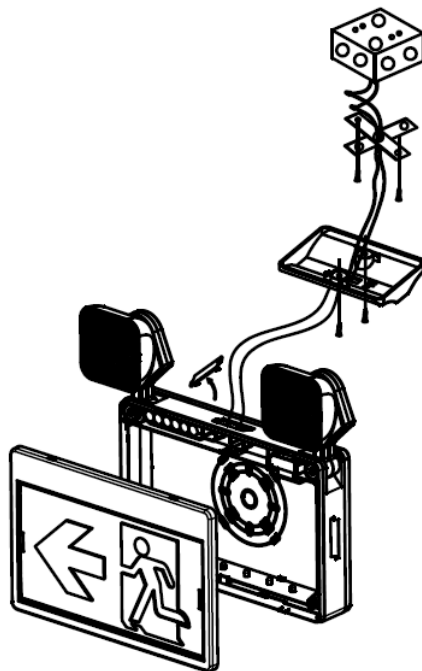
4. Snap fixture onto mounting plate and ensure no wires are pinched. Make sure unit is fully attached.

5. Restore power and press test button. Battery powered LED will come on, AC light will turn off.

## Ceiling mounting

1. Open the EXIT housing and knockout on the top of fixture.

2. Knockout in top of mounting plate and push wires through the hole.

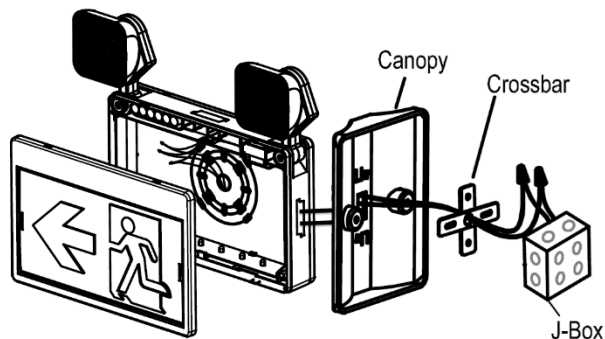


3. Reference 3 – 5 step in wall mounting above for ceiling mounting.

## Side mounting

1. Open the EXIT housing and knockout on the top of fixture.

2. Knockout in side of mounting plate and push wires through the hole.



3. Reference 3 – 5 step in wall mounting above for side mounting.