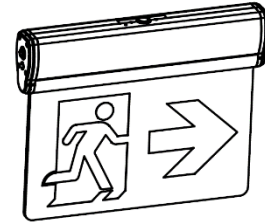


INSTALLATION INSTRUCTIONS

FOR EDGE LIT RUNNING MAN EXIT SIGN

Package Contents

Part	Description	Quantity
1	LED Edge-Lit Exit Sign	1
2	Canopy	1
3	Hardware Bag	1



Warnings and Cautions

IMPORTANT SAFEGUARDS

READ AND FOLLOW ALL SAFETY INSTRUCTIONS

1. Review the diagrams thoroughly before beginning.
2. All electrical connections must be in accordance with local codes, ordinances and the National Electric code.
3. Disconnect power at fuse or circuit breaker before installing or servicing.
4. Do not use outdoors.
5. Do not mount in hazardous locations, or near gas or electric heaters.
6. Do not let power cords touch hot surface.
7. Equipment should be mounted in locations and at heights where it will not be subjected to tampering by unauthorized personnel.
8. The use of accessory equipment not recommend by the manufacturer may cause an unsafe condition.
9. Do not use this equipment for other than intended use.
10. All servicing should be performed by qualified personnel only.
11. Allow battery to charge for 24 hours before first use.

SAVE THESE INSTRUCTIONS

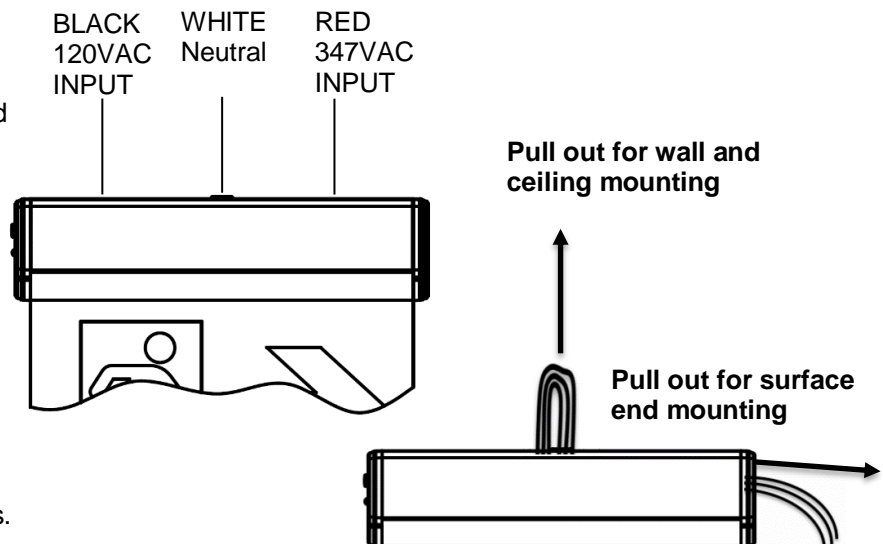
ELECTRICAL CONNECTIONS

*Make the proper AC wire connections.

*If using 120VAC, connect the black and white wires to the building utility.

*If using 347VAC, connect the Red and White wires to the building utility.

*Cap off unused wires in all cases, use standard wires nuts to connect to wires.



Mounting Instructions

NOTE: First turn off electricity.

Ceiling and Wall Mounting

1. Place correct PVC onto the panel (Fig 1). Fix it on the panel with buttons supplied (Fig 2).

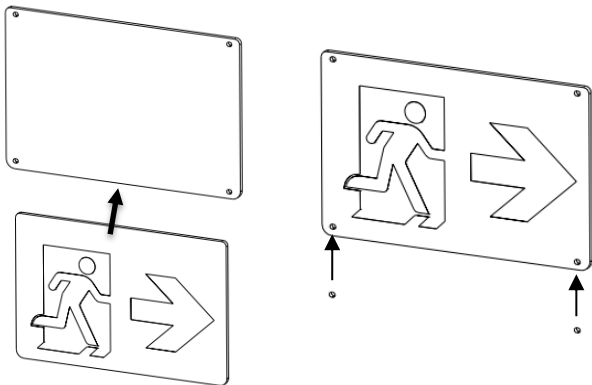


Fig 1

Fig 2

2. Pull out all AC wires from top of fixture for wall and ceiling mounting. (Fig 3)

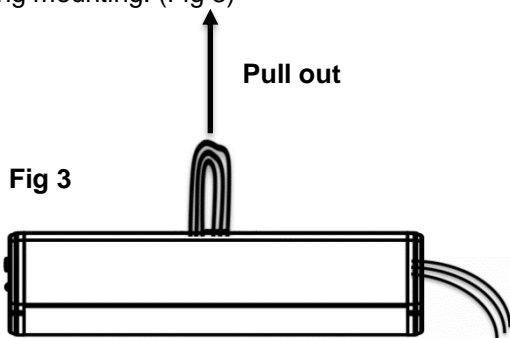


Fig 3

3. Put the hole plug (in the packing bag) to the side of fixture. (Fig 4)

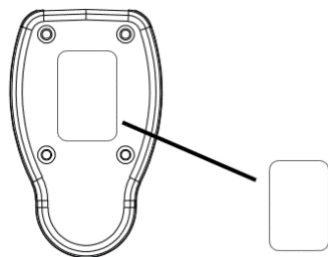


Fig 4

4. Insert EXIT panel into main body assembly gently. (Fig 5)

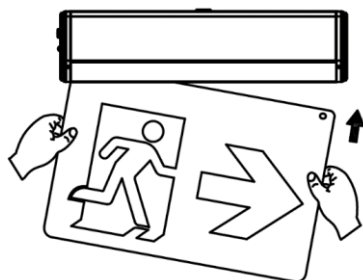


Fig 5

5. Feed AC supply wires through canopy center hole.

6. Assemble canopy onto main body assembly with (2) Tapping screws (supplied) and make proper wire connections. (See ELECTRICAL CONNECTIONS).

7. Use (2) PM4-40 screws tighten canopy to crossbar.

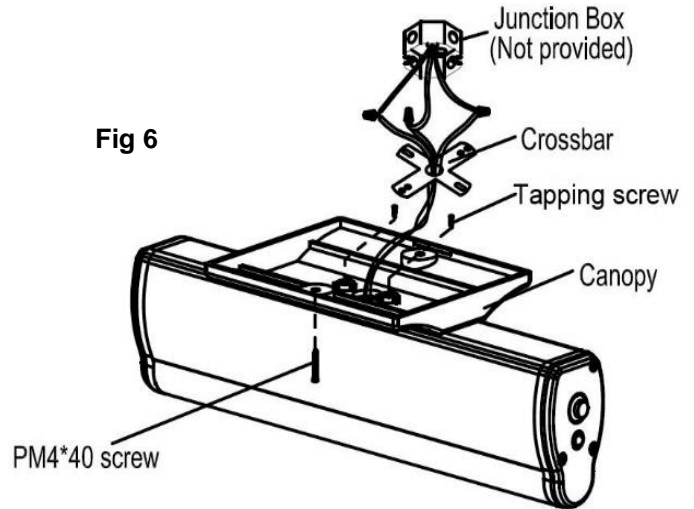


Fig 6

8. The unit can be installed on any surface, you may rotate the EXIT panel in any angle from 0° to 180°, ceiling mounting rotate 90° become wall mounting.

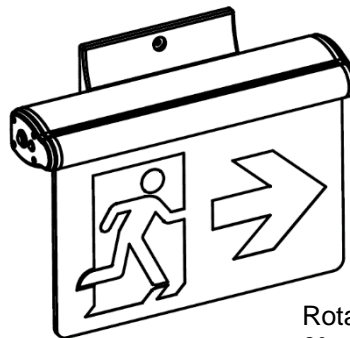


Fig 7

Surface End Mounting

1. Pull out all AC wires from side of the fixture for surface end mounting.

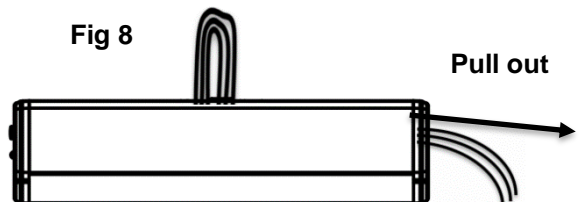


Fig 8

2. Reference step 1, 4-7 in surface ceiling & wall mounting above for surface end mounting.

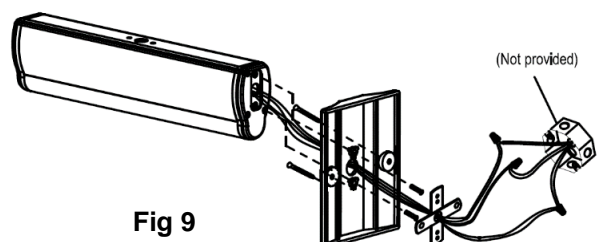


Fig 9