
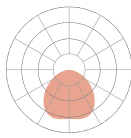

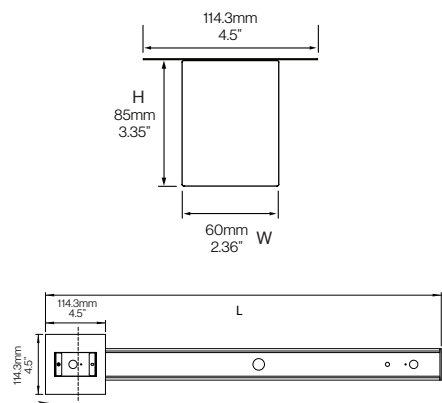



Project:			
Ordering info:			
Submitted by:		Date:	



<h2>Linear Surface Luminaire</h2> <h3>ZNTH60-SD</h3> 	Wattage Range 24-79W	Lumen Range 3,262-11,000lm	Efficacy 138lm/W	Light Performance 816-1,375lm/ft												
	3CCT Selectagle 3000K 3500K 4000K		Finishes <input type="checkbox"/> Black <input type="checkbox"/> White													
 		 <p>The ceiling cap can be installed on the ends or in the middle (optionally)</p> <table border="1"> <thead> <tr> <th></th> <th>L</th> <th>W</th> <th>H</th> </tr> </thead> <tbody> <tr> <td>4FT</td> <td>1200mm 47.24"</td> <td>60mm 2.36"</td> <td>85mm 3.35"</td> </tr> <tr> <td>8FT</td> <td>2390mm 94.09"</td> <td>60mm 2.36"</td> <td>85mm 3.35"</td> </tr> </tbody> </table>				L	W	H	4FT	1200mm 47.24"	60mm 2.36"	85mm 3.35"	8FT	2390mm 94.09"	60mm 2.36"	85mm 3.35"
	L	W	H													
4FT	1200mm 47.24"	60mm 2.36"	85mm 3.35"													
8FT	2390mm 94.09"	60mm 2.36"	85mm 3.35"													
																

Ordering Guide Example: ZNTH60-SD/4/F/05L/MK3/80/UN3/D1/B

Family/ Series	Mounting	Function	Length	Diffuser	Direct	Max Total Lumens	CCT	CRI	Voltage	Driver	Housing Finish	
ZNTH60	S	Surface	D	Direct	■ 4 4ft ■ 8 8ft	F Frosted ■ 05L 5000 (4ft) ■ 10L 10000 (8ft)	MK3	80	UN3	120-347V	D1 0-10V Dim 1%	■ W White ■ B Black ■ C Custom

Light Outputs Function: Direct

Catalogue Code	Voltage	Dimension			CCT	Efficacy lm/W	CRI	Direct		
		L	W	H				Watts	Delivered Lumens	Lumens per foot
ZNTH60-SD/4	120-347V	47.24"	2.36"	3.35"	30K-35K-40K	130	80+	39	5300	1325
								32	4349	1087
								24	3262	816
ZNTH60-SD/8	120-347V	94.09"	2.36"	3.35"	30K-35K-40K	130	80+	79	11000	1375
								63	8772	1097
								48	6684	836

Project:			
Ordering info:			
Submitted by:		Date:	



Specifications

Housing:	The Zenith60 housing is constructed of extruded aluminum 6063T5.	LED:	Name brand LED with long life offered in standard 80+ CRI. On board selectable CCT offers maximum flexibility (3000K/3500K/4000K).
End Caps:	Die cast aluminum fastened to housing with internal fasteners and a discrete internal knockout for Surface mount versions.	Finish:	Polyester powder painted finish
Optics:	Frosted polycarbonate snap in lens with Lambertian distribution.		[Joiner Kit is included with fixture, to be used for Row Mounting.]
Driver:	LED drivers for Direct outputs are contractor wattage selectable and universal 120-347V input (up to 3 different outputs-see output chart). Less than 20%THD and 0-10V dimmable down to 1%.		

Model & Ordering Information

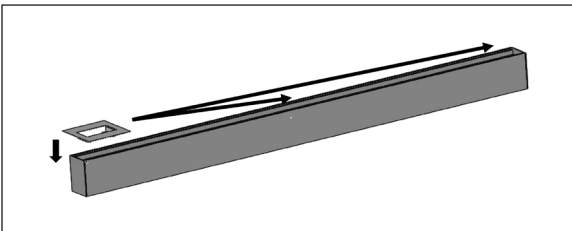
Ordering Code	DLC Premium	Model Number	Description	Case QTY
3695008	Yes	ZNTH60-SD/4/F/05L/MK3/80/UN3/D1/B	4Ft., Selectable 40-33-25W, Selectable 30-35-40K, 120-347V, 0-10V Dim 1%, Black Finish.	4
3695009	Yes	ZNTH60-SD/4/F/05L/MK3/80/UN3/D1/W	4Ft., Selectable 40-33-25W, Selectable 30-35-40K, 120-347V, 0-10V Dim 1%, White Finish.	4
3696007	Yes	ZNTH60-SD/8/F/10L/MK3/80/UN3/D1/B	8Ft., Selectable 80-66-50W, Selectable 30-35-40K, 120-347V, 0-10V Dim 1%, Black Finish.	2
3696008	Yes	ZNTH60-SD/8/F/10L/MK3/80/UN3/D1/W	8Ft., Selectable 80-66-50W, Selectable 30-35-40K, 120-347V, 0-10V Dim 1%, White Finish.	2
3690005	-	ZNTH60-BP	Emergency Battery Pack	-
3690004	-	ZNTH60-K4	Joiner Kit, for Row mounting.	-

DLC Certification

Ordering Code	Model Number	Primary Use	DLC Standard	DLC Premium
3695008	ZNTH60-SD/4/F/05L/MK3/80/UN3/D1/B	Low-Bay Luminaires for Commercial and Industrial Buildings	-	S-C257D1
3695009	ZNTH60-SD/4/F/05L/MK3/80/UN3/D1/W	Low-Bay Luminaires for Commercial and Industrial Buildings	-	S-C257D1
3696007	ZNTH60-SD/8/F/10L/MK3/80/UN3/D1/B	High-Bay Luminaires for Commercial and Industrial Buildings	-	S-4CL5JB
3696008	ZNTH60-SD/8/F/10L/MK3/80/UN3/D1/W	High-Bay Luminaires for Commercial and Industrial Buildings	-	S-4CL5JB

Mounting

Install ceiling cap in the end or middle position



Install fixtures to ceiling

