

# Installation Instruction

## Linear Wall Luminaire

Applicable models:  
ZNTH60-WD, ZNTH60-WDI

# ELECTRICAL SHOCK HAZARD



### WARNING

Disconnect the Electrical supply at the service panel (fuse or circuit breaker box). Failure to do so could result in serious injury.

Only qualified electricians should install this luminaire and Must conform to the Canadian Electrical Code Part 1 or the NEC, and any local codes and ordinances. Ensure that only proper tools and materials to complete the installation are available prior to attempting to install this luminaire.

Read all instructions prior to installing this product.

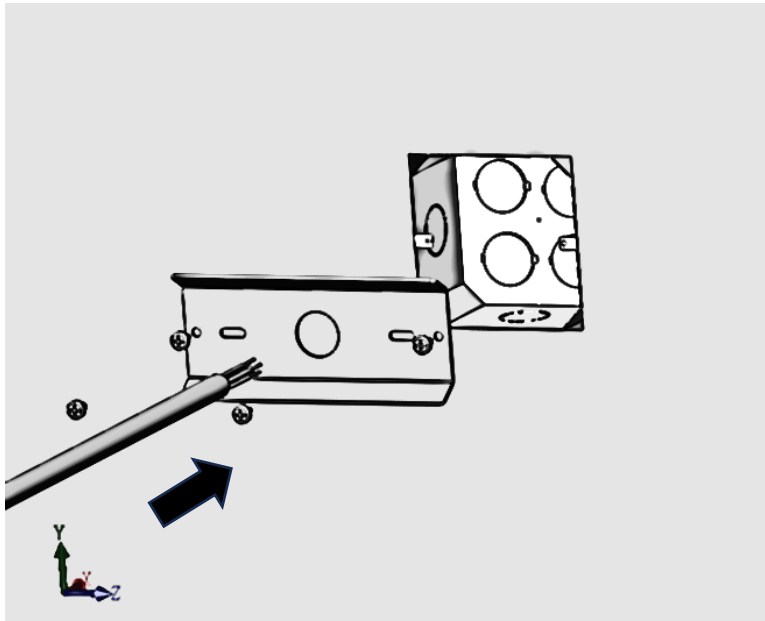
### **IMPORTANT CALCULATION FOR CONTINUOUS ROW MOUNTING**

For Row Mounting: Calculate the luminaire row total amperage from input current on product label to prevent from being over the current rating of the power feed cord. Maximum of 6 amps per power feed.

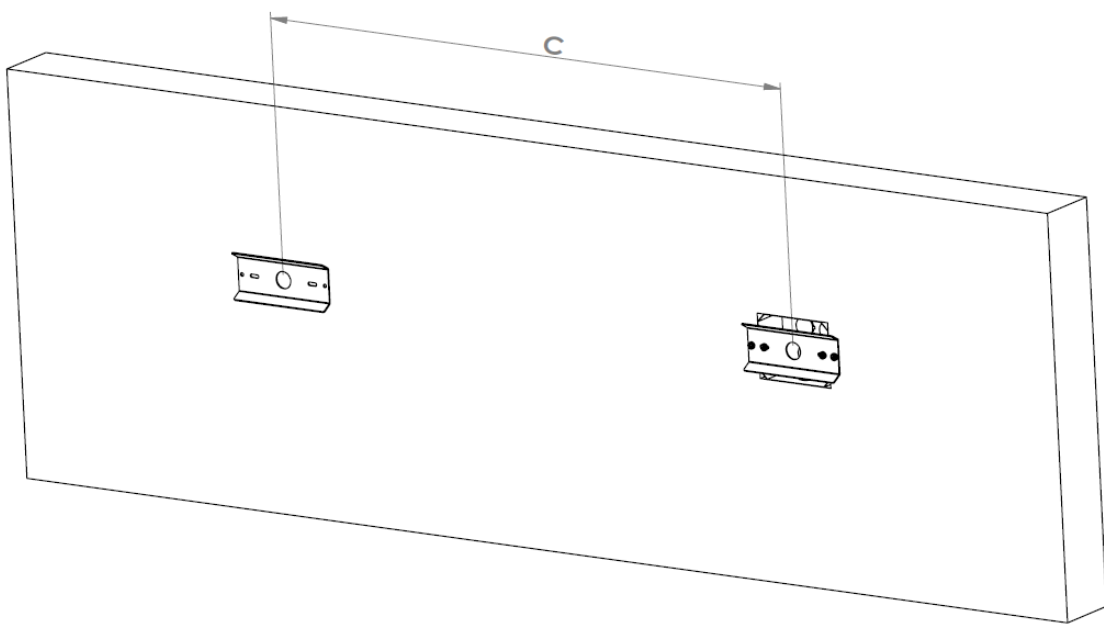
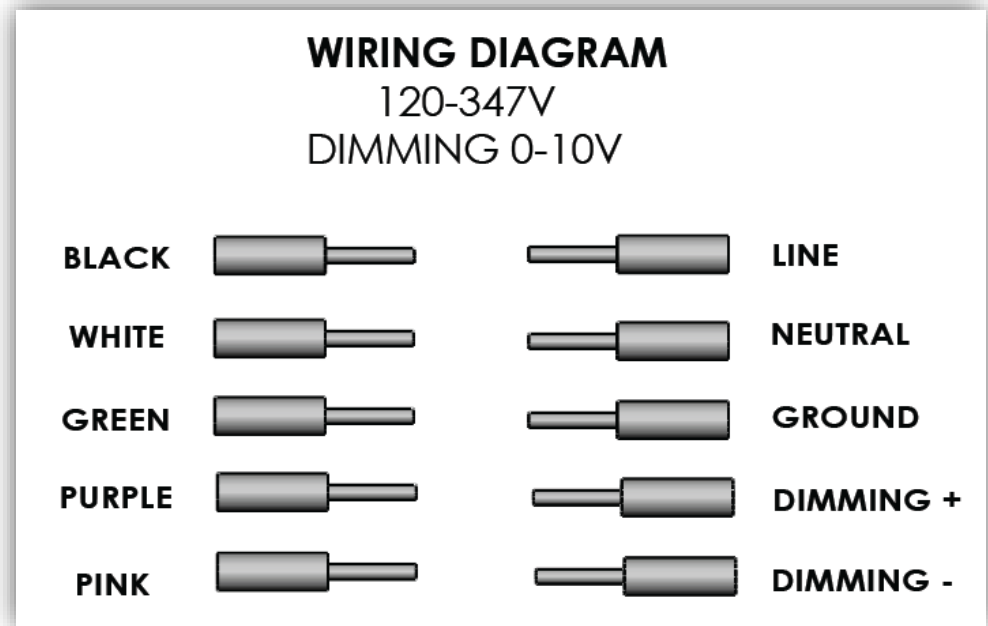
When row length amperage calculated exceeds 6 amps additional a power feed connection must be used at intervals of 6 amps or less.

For Row Mounting DO NOT CONNECT units on the floor – They must be connected after WALL mounting.

**Pull power feed wires through center hole of cover plate to switch box**



**CONNECT WIRING**

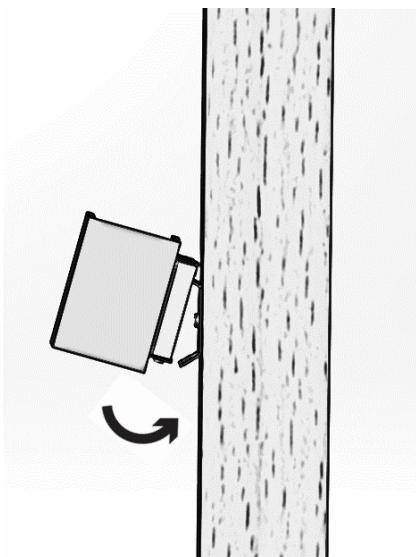


Type	C
2FT	11.61"
3FT	15.55"
4FT	27.36"
5FT	39.18"
6FT	50.99"
7FT	62.80"
8FT	74.61"

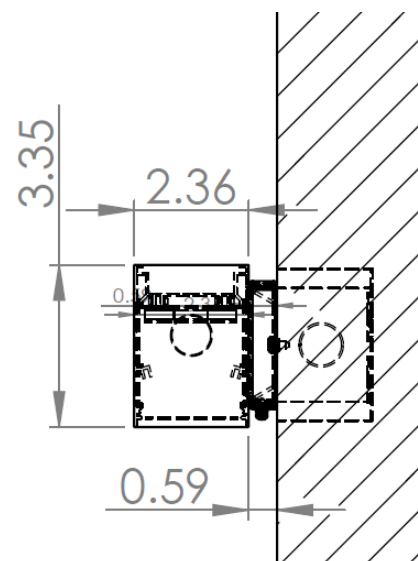
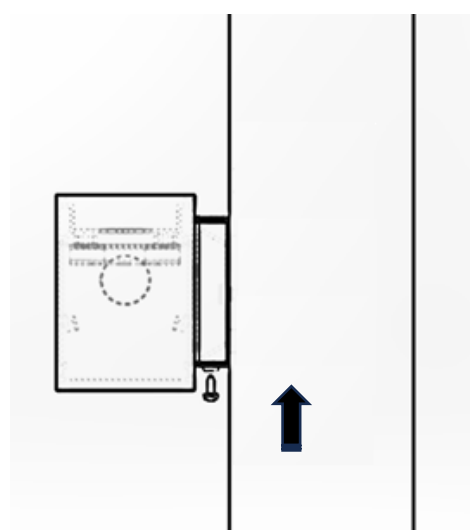


**WARNING:** ENSURE THAT MOUNTING LOCATION AND METHOD IS SUFFICIENT TO SUPPORT THE WEIGHT OF THE PRODUCT.

Place luminaire hang onto wall brackets



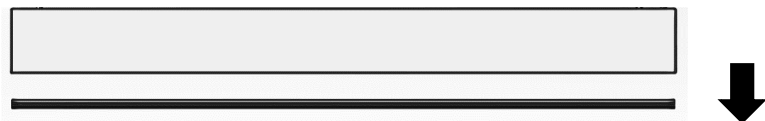
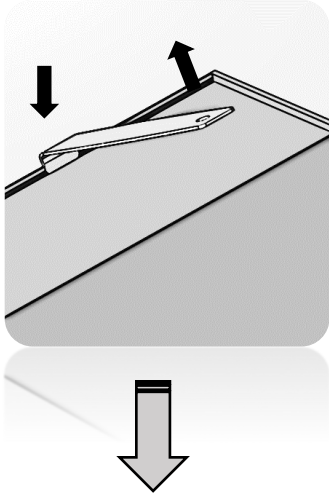
Adjust the level slightly by screws in the bottom and secure in place.



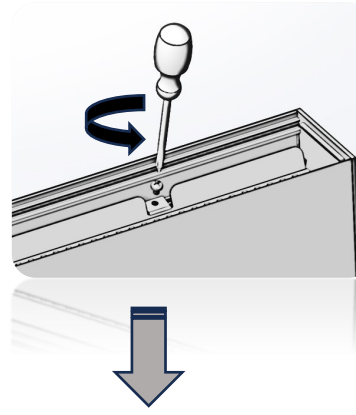
Type	L
2FT	23.62"
3FT	35.43"
4FT	47.24"
5FT	59.06"
6FT	70.87"
7FT	82.68"
8FT	94.49"

**CONTINUOUS INSTALLATION FOR DIRECT – DO NOT Join on the floor – Must be connected after hanging on the wall.**

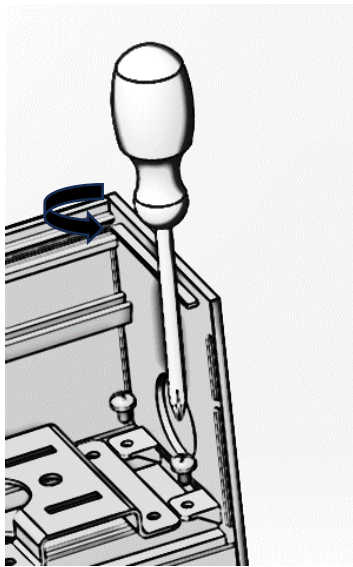
Remove lens by tool



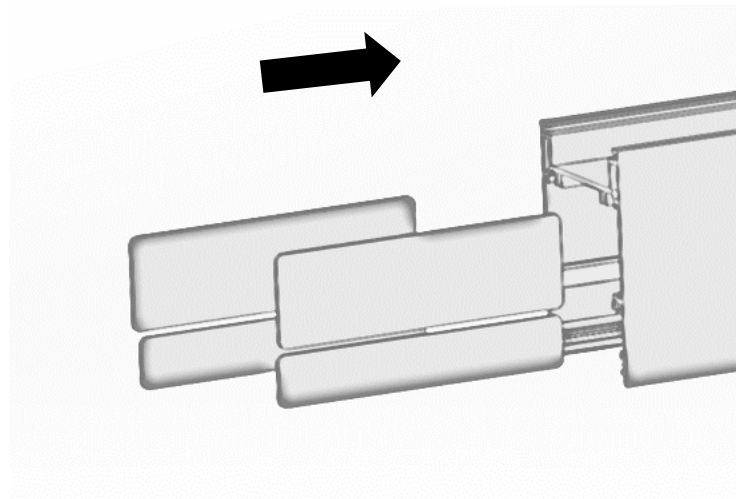
Loose screws and remove gear tray



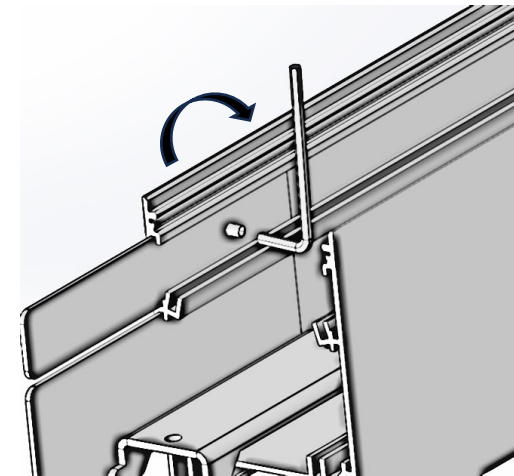
Loose 2 screws and remove End cap



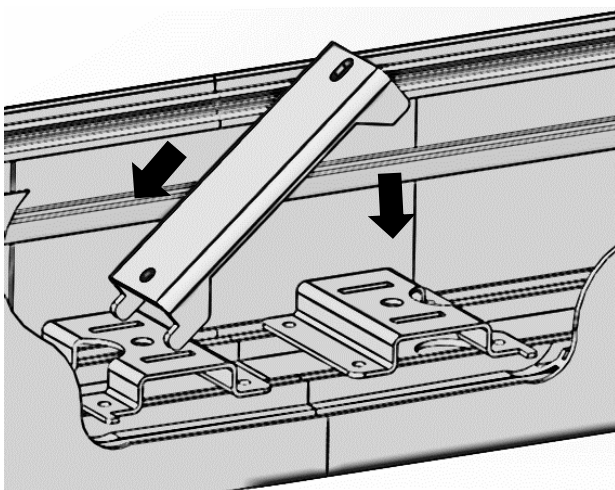
Insert Joint plate to housing



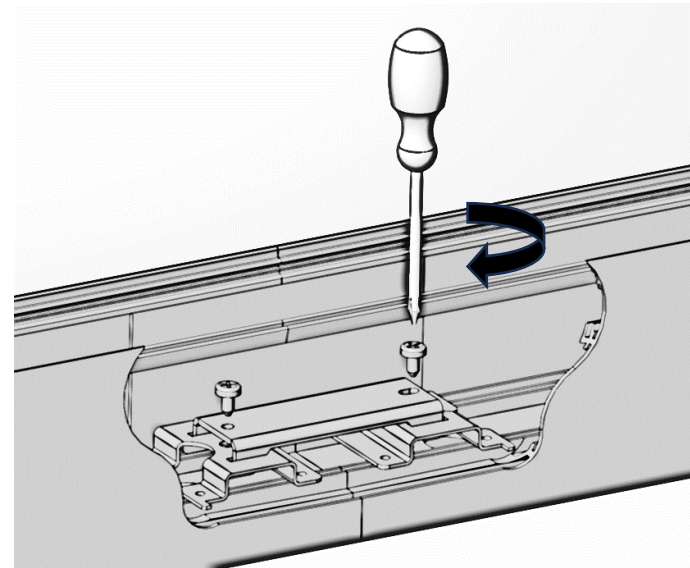
Lock plate in position



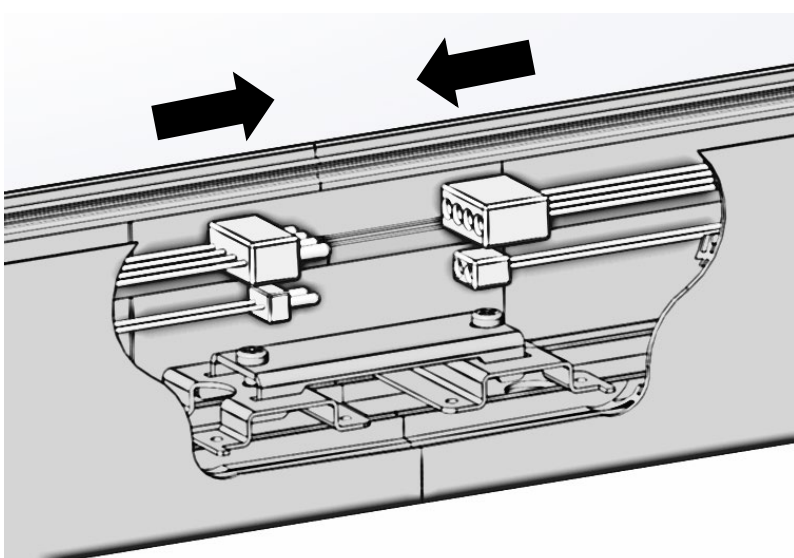
Insert Joint lock holder to brackets



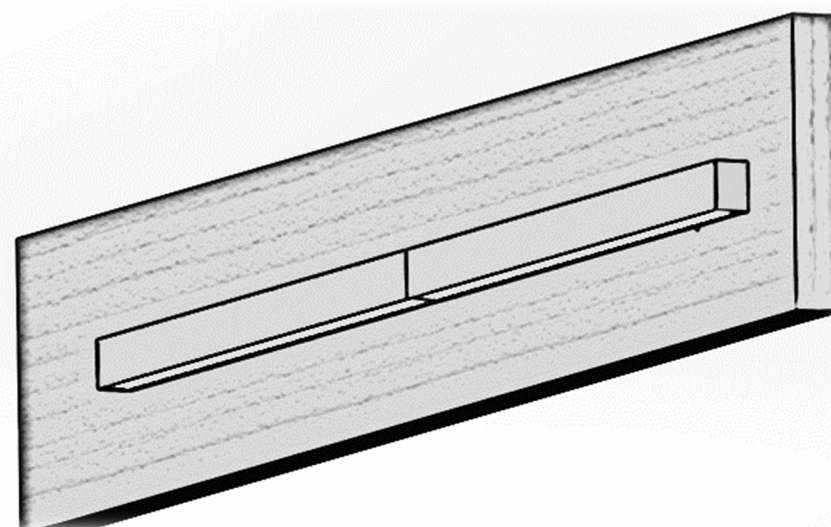
Fix lock holder to brackets by 2 screws




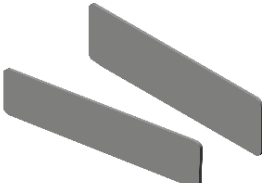

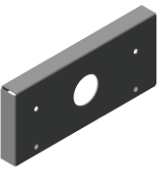

Connect through wiring



Install luminaire on the wall



Included Accessories in the Package

1	2	3	4	5
				
AL linear light joint lock holder	Joint plates for ZNTH60, Narrow and Wide	Lens removal tool	ZNTH60 W housing mounting bracket unit	Allen key
1×1	1×2	1×1	1×2	1×1